



US00D968987S

(12) **United States Design Patent** (10) **Patent No.:** **US D968,987 S**  
**Lin** (45) **Date of Patent:** **\*\* Nov. 8, 2022**

(54) **SOIL TESTER**  
(71) Applicant: **Kaichun Lin**, Guangdong (CN)  
(72) Inventor: **Kaichun Lin**, Guangdong (CN)  
(\*\*) Term: **15 Years**  
(21) Appl. No.: **29/827,532**  
(22) Filed: **Feb. 21, 2022**  
(51) **LOC (13) Cl.** ..... **10-04**  
(52) **U.S. Cl.**  
USPC ..... **D10/81**  
(58) **Field of Classification Search**  
USPC ..... D10/70, 69, 78, 106.1, 46, 80, 47, 103,  
D10/56, 52, 53, 65, 77; D13/199  
CPC ..... G01N 33/24; G01N 2033/243; G01N  
2033/245; G01N 2033/248; G01N 15/08;  
G01N 15/0806; G01N 2203/0623; G01N  
2203/0617; G01N 2203/06; G01N  
2203/0605; G01N 2203/0641; G01N  
2203/0647; G01N 2203/0658; G01N  
33/241; G01N 33/246  
See application file for complete search history.

(56) **References Cited**  
U.S. PATENT DOCUMENTS  
4,068,525 A \* 1/1978 Skaling ..... G01N 7/10  
73/73  
D288,180 S \* 2/1987 Shrull ..... D10/46  
D406,068 S \* 2/1999 Afilani ..... D10/46  
D483,680 S \* 12/2003 Chen ..... D10/46  
D491,822 S \* 6/2004 Holbein ..... D10/56  
D511,697 S \* 11/2005 Wang ..... D10/56  
D526,914 S \* 8/2006 Holbein ..... D10/56  
D572,673 S \* 7/2008 Kuriyama ..... D13/199  
D575,173 S \* 8/2008 Staller ..... D10/78  
D609,588 S 2/2010 Morton  
D632,596 S \* 2/2011 Marsden ..... D10/56  
D632,597 S \* 2/2011 Marsden ..... D10/56  
D659,658 S \* 5/2012 Gaines ..... D13/199

D681,487 S \* 5/2013 Lee ..... D10/81  
D713,752 S \* 9/2014 Holbein ..... D10/53  
D725,507 S \* 3/2015 Marquez ..... D10/56  
D756,249 S \* 5/2016 Xiao ..... D10/53  
D773,322 S \* 12/2016 Hughes ..... D10/53  
D781,163 S \* 3/2017 Beldon ..... D10/70  
D788,201 S \* 5/2017 Pilz ..... D24/138  
D788,602 S \* 6/2017 Näslund ..... D10/53  
D837,071 S \* 1/2019 Yu ..... D10/53  
D845,792 S \* 4/2019 Wurts ..... D10/56  
D856,167 S \* 8/2019 Weiss ..... D10/46  
D868,605 S \* 12/2019 Tang ..... D10/56  
D880,318 S \* 4/2020 Benz Navarrete ..... G01N 3/42  
D10/46  
D894,763 S \* 9/2020 Yu ..... D10/56  
D947,693 S \* 4/2022 Engquist ..... D10/78

**FOREIGN PATENT DOCUMENTS**

CN 307336130 \* 5/2022

\* cited by examiner

*Primary Examiner* — George D. Kirschbaum  
*Assistant Examiner* — Antoinette Martine Suiter

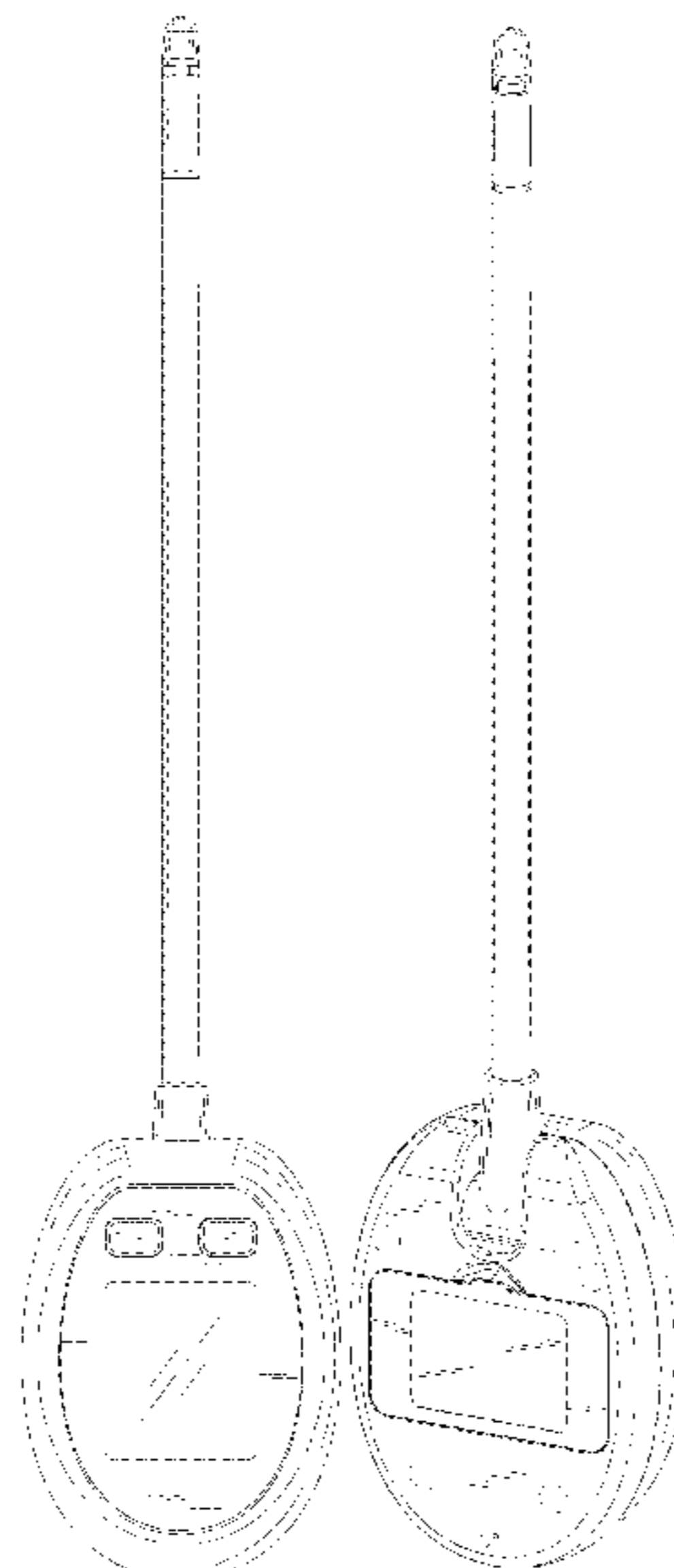
(57) **CLAIM**

The ornamental design for a soil tester, as shown and described.

**DESCRIPTION**

FIG. 1 is a front elevational view of a soil tester showing my new design;  
FIG. 2 is a rear elevational view thereof;  
FIG. 3 is a left side view thereof;  
FIG. 4 is a right side view thereof;  
FIG. 5 is a top plan view thereof;  
FIG. 6 is a bottom plan view thereof;  
FIG. 7 is a perspective view thereof; and,  
FIG. 8 is a second perspective view thereof.  
The broken lines illustrate portions of the soil tester that do not form part of the claimed design.

**1 Claim, 8 Drawing Sheets**



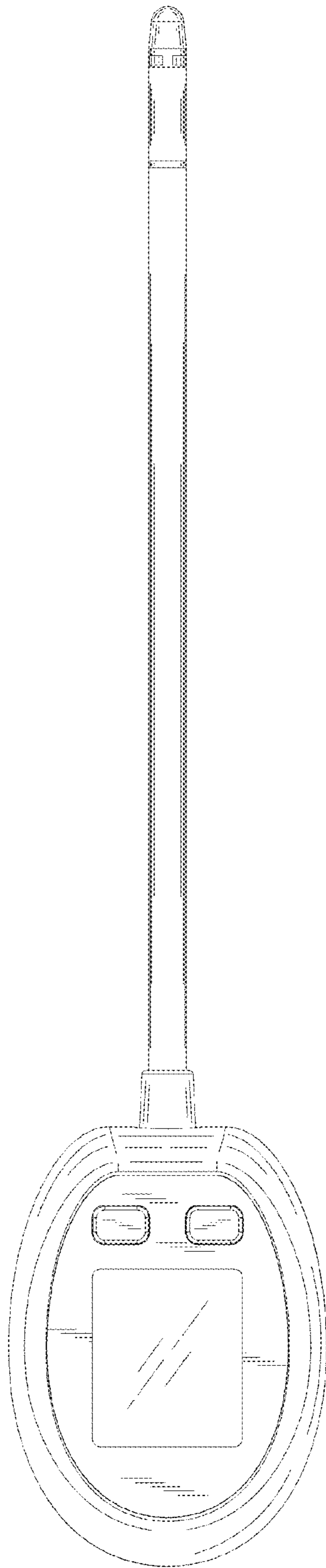


FIG.1

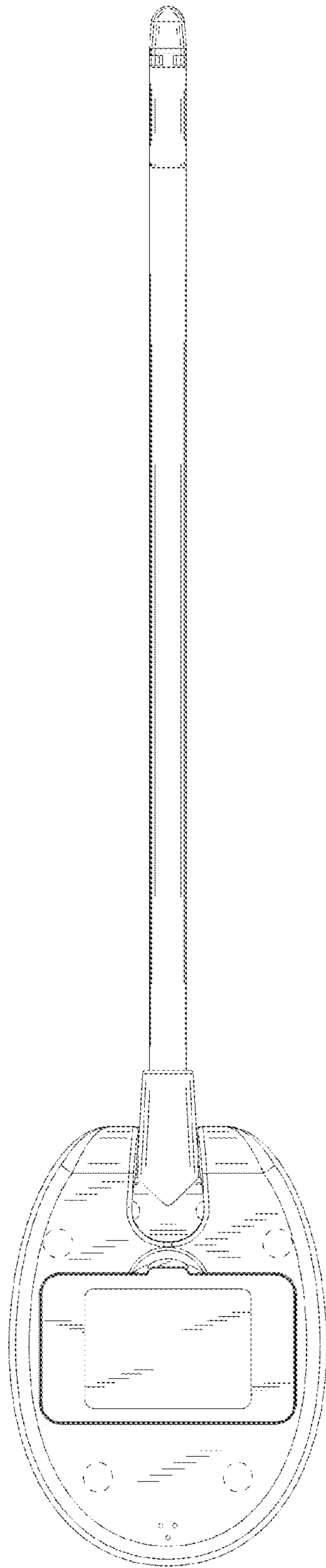


FIG.2

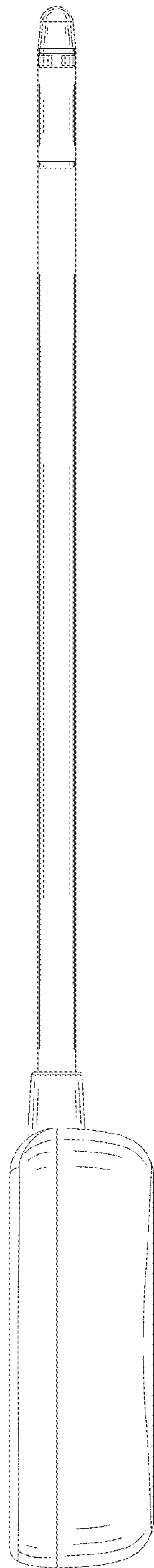


FIG.3

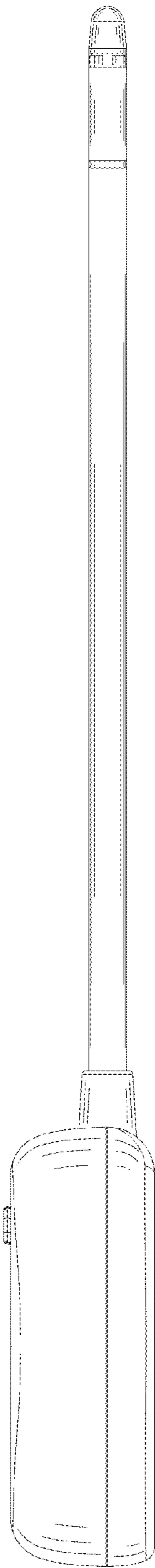


FIG.4

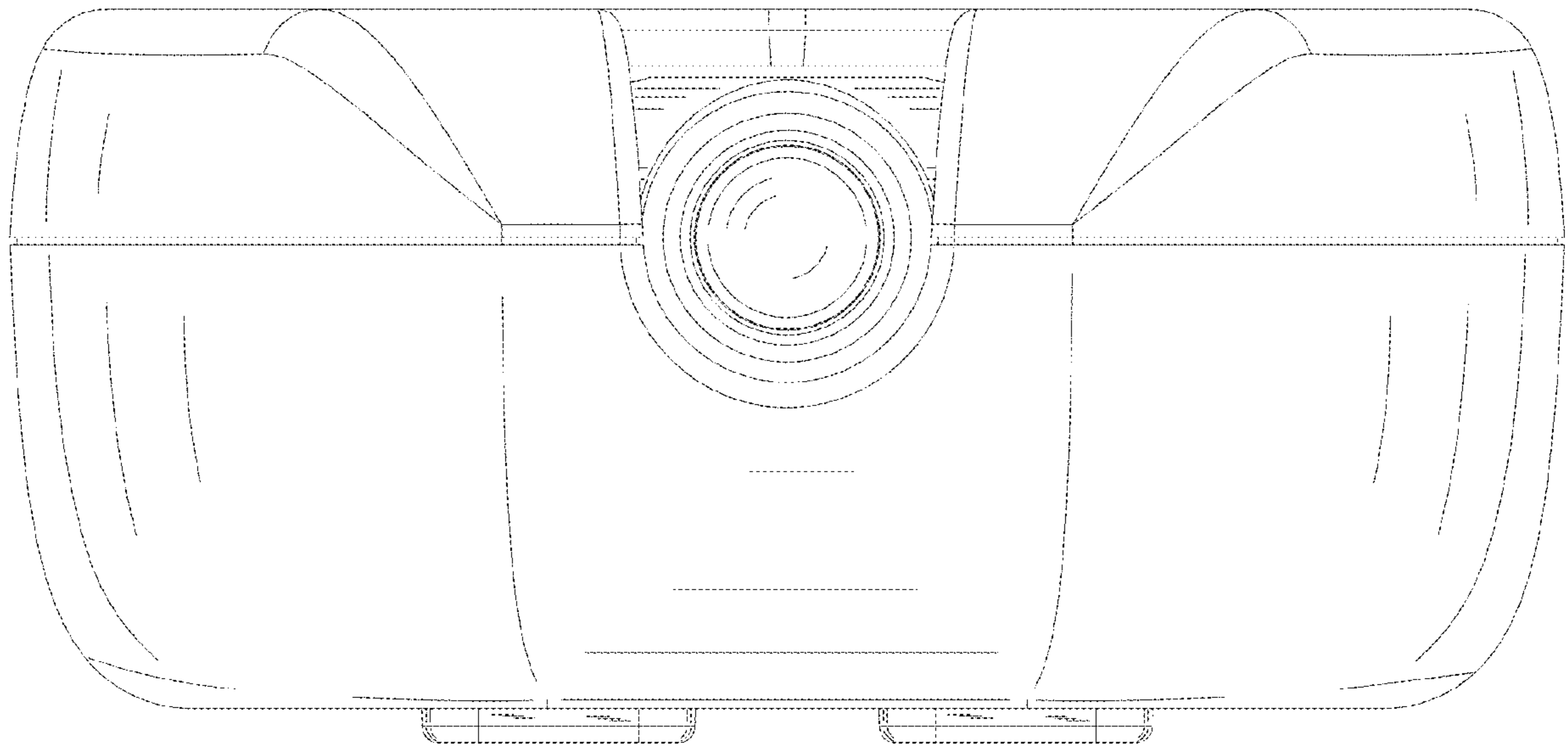


FIG.5

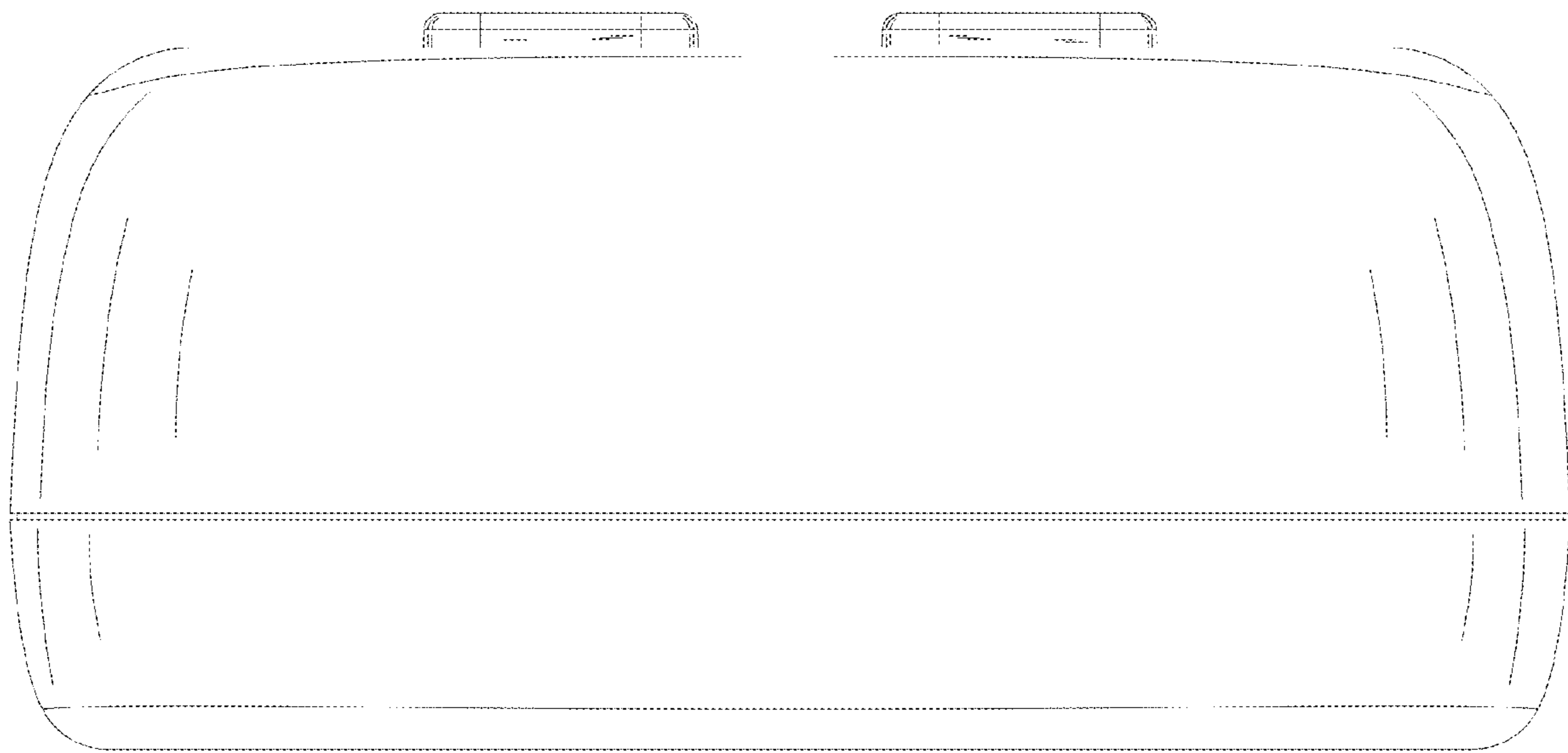


FIG.6

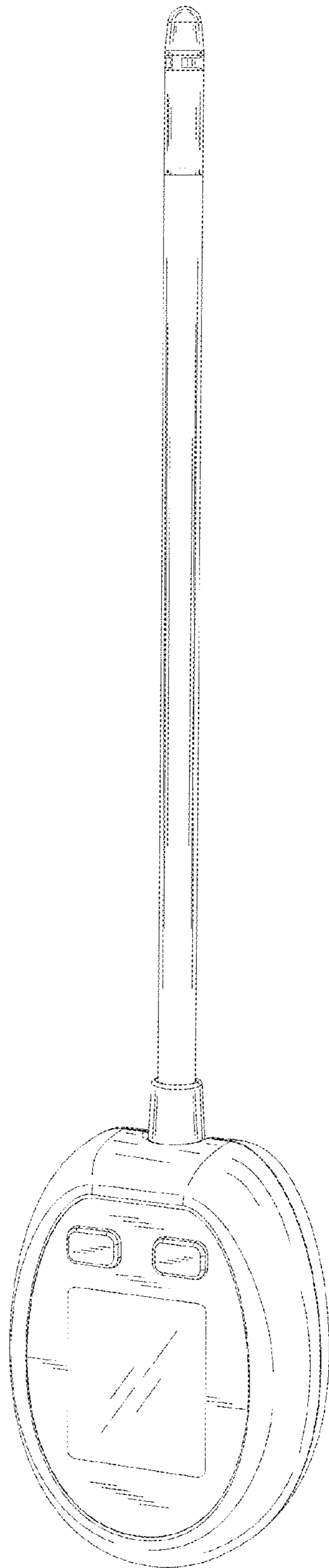


FIG.7



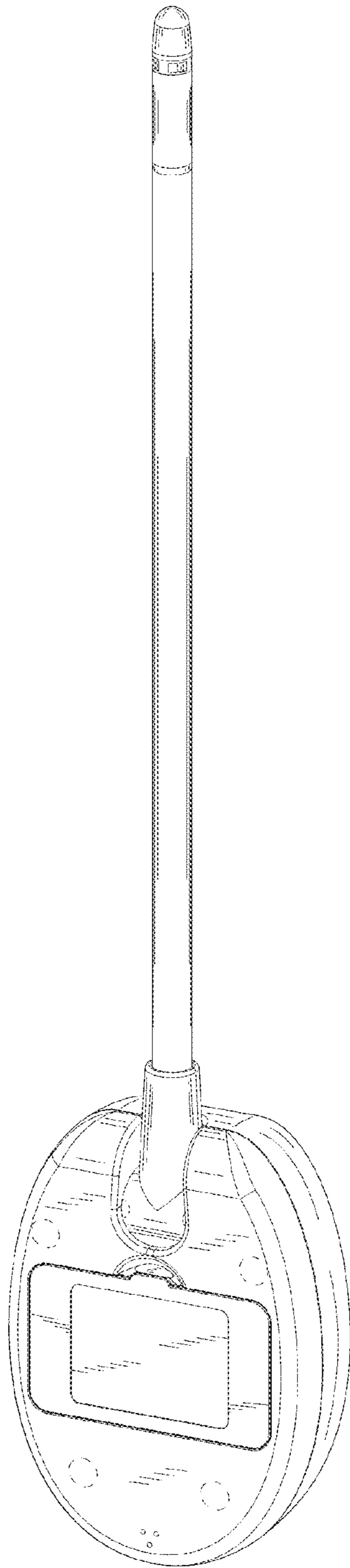


FIG.8