



US00D968986S

(12) **United States Design Patent** (10) **Patent No.:** **US D968,986 S**
Choi et al. (45) **Date of Patent:** **** Nov. 8, 2022**

(54) **TAPE MEASURE HOLDER**

(71) Applicants: **Won Woo Choi**, Busan (KR); **Jun Young Choi**, Seoul (KR)

(72) Inventors: **Won Woo Choi**, Busan (KR); **Jun Young Choi**, Seoul (KR)

(**) Term: **15 Years**

(21) Appl. No.: **35/512,255**

(22) Filed: **Jan. 21, 2021**

(80) **Hague Agreement Data**

Int. Filing Date: **Jan. 21, 2021**

Int. Reg. No.: **DM/214059**

Int. Reg. Date: **Jan. 21, 2021**

Int. Reg. Pub. Date: **Jul. 23, 2021**

(30) **Foreign Application Priority Data**

Sep. 16, 2020 (KR) 30-2020-0044253

(51) **LOC (13) Cl.** **10-04**

(52) **U.S. Cl.**
USPC **D10/74**

(58) **Field of Classification Search**

USPC D10/70, 71, 74

CPC G01B 3/1041; A45F 5/021

See application file for complete search history.

(56) **References Cited**

U.S. PATENT DOCUMENTS

4,598,027 A * 7/1986 Johnson A45F 5/021
156/212

D711,753 S * 8/2014 Moreau D10/74

2014/0310969 A1 * 10/2014 Moreau G01B 3/1041
33/769

OTHER PUBLICATIONS

Tajima Measuring Tape Holder Plastic Vertical Belt Type, from eBay. (Year: 2022).*

Komelon Quick-Draw Universal Tape Measure Holster <https://www.amleo.com/komelon-quick-draw-universal-tape-measure-holster/> (Year: 2022).*

Fastcap Tool Holster https://www.grainger.com/product/3WAX9?gucid=N:N:PS:Paid:GGL:CSM-2295:4P7A1P:20501231&gclid=EAlalQobChMI3Mnqx4WD-glVfhmtBhle2ATvEAQYGSABEGltPvD_BwE&gclidsrc=aw.ds (Year: 2022).*

* cited by examiner

Primary Examiner — George D. Kirschbaum

(57) **CLAIM**

The ornamental design for a tape measure holder, as shown and described.

DESCRIPTION

1. Tape measure holder

1.1 : Perspective

1.2 : Front

1.3 : Back

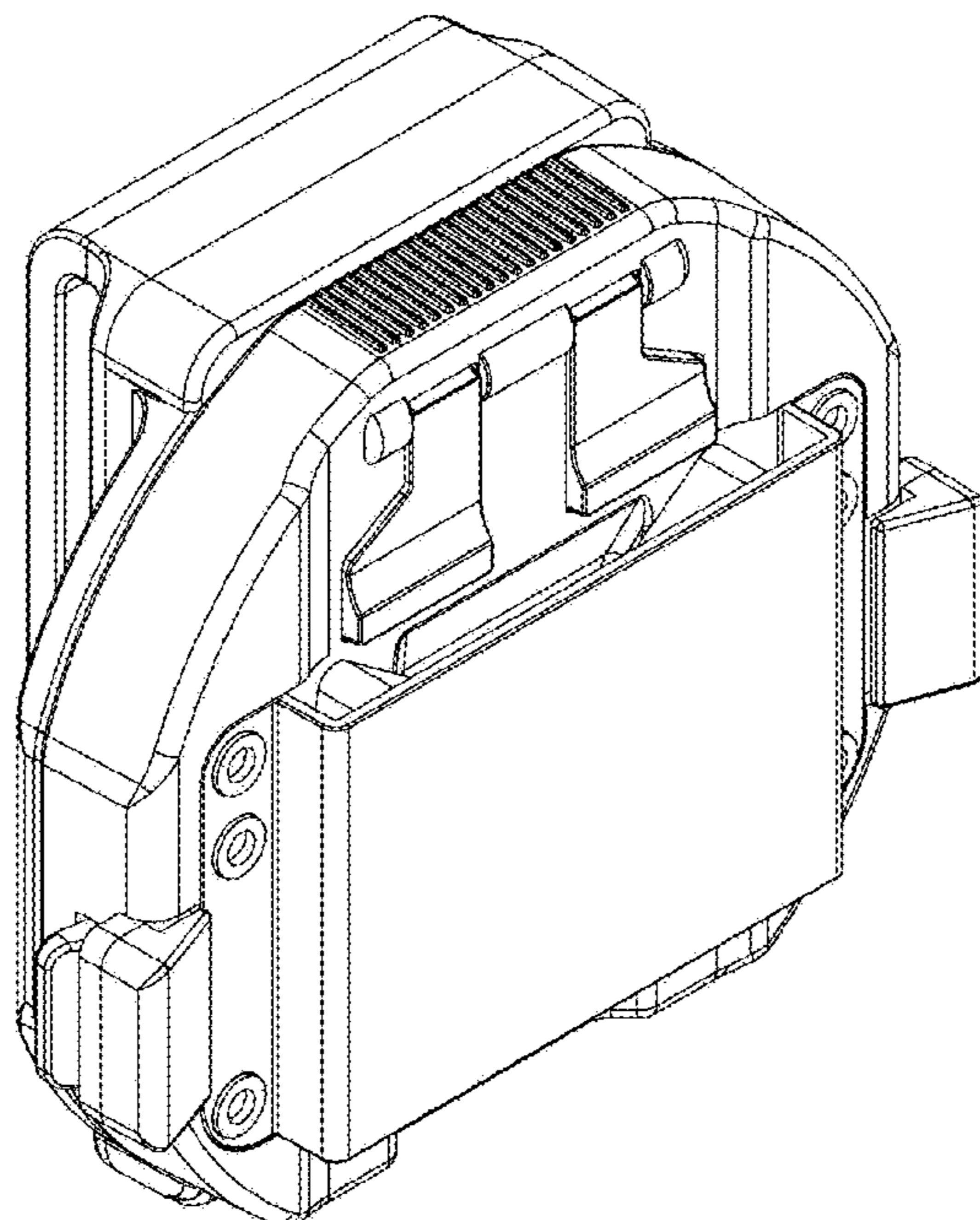
1.4 : Top

1.5 : Bottom

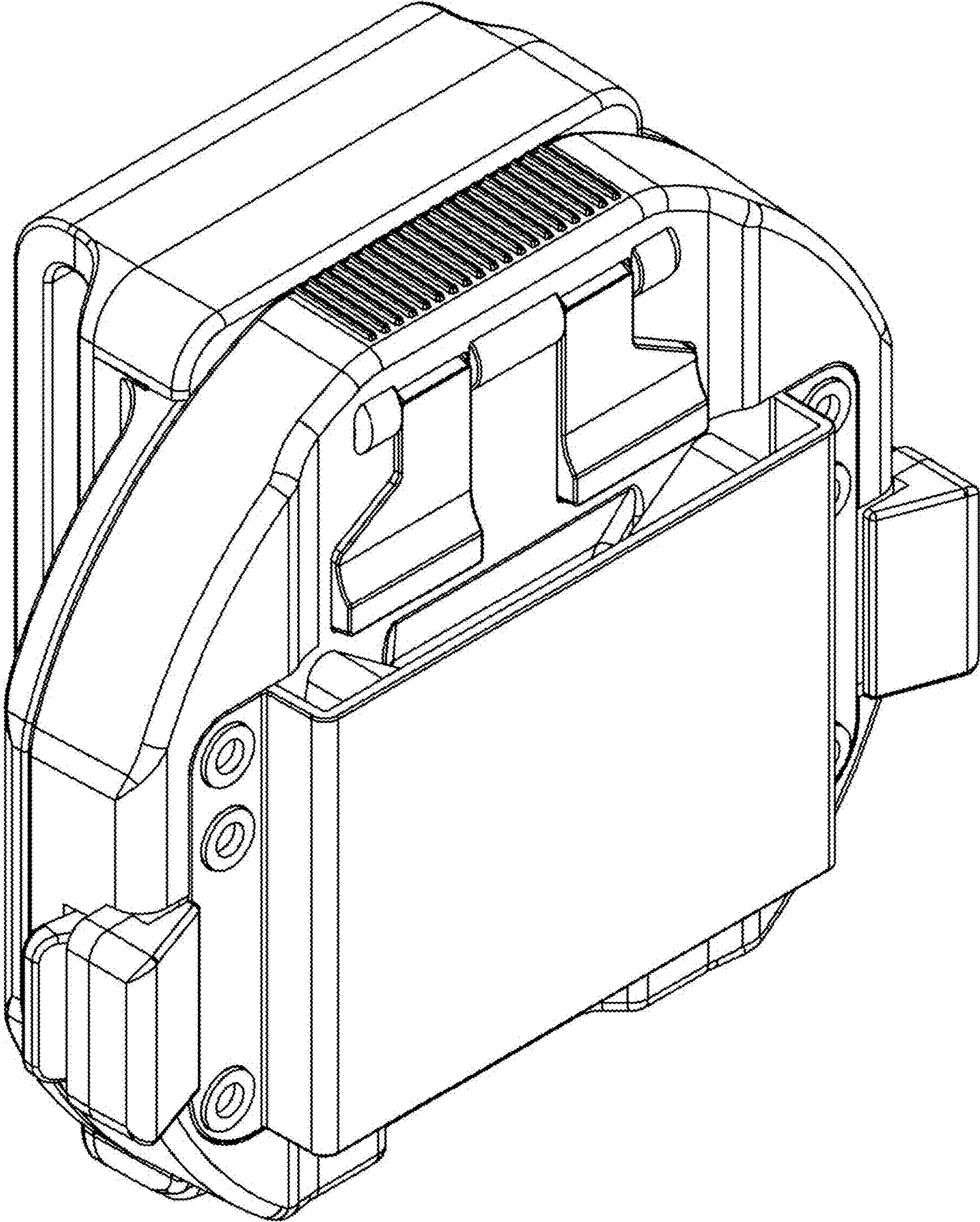
1.6 : Left

1.7 : Right

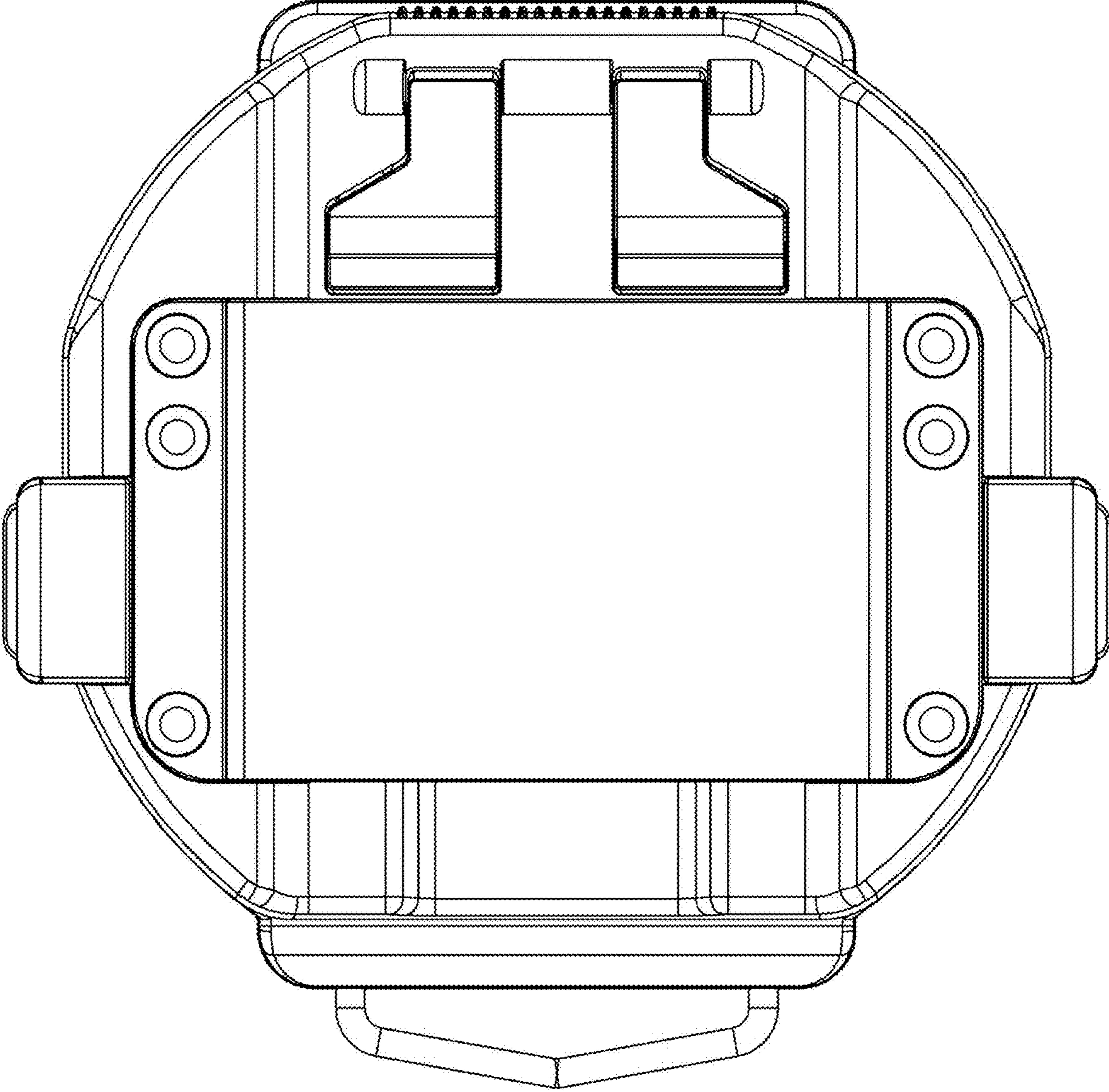
1 Claim, 7 Drawing Sheets



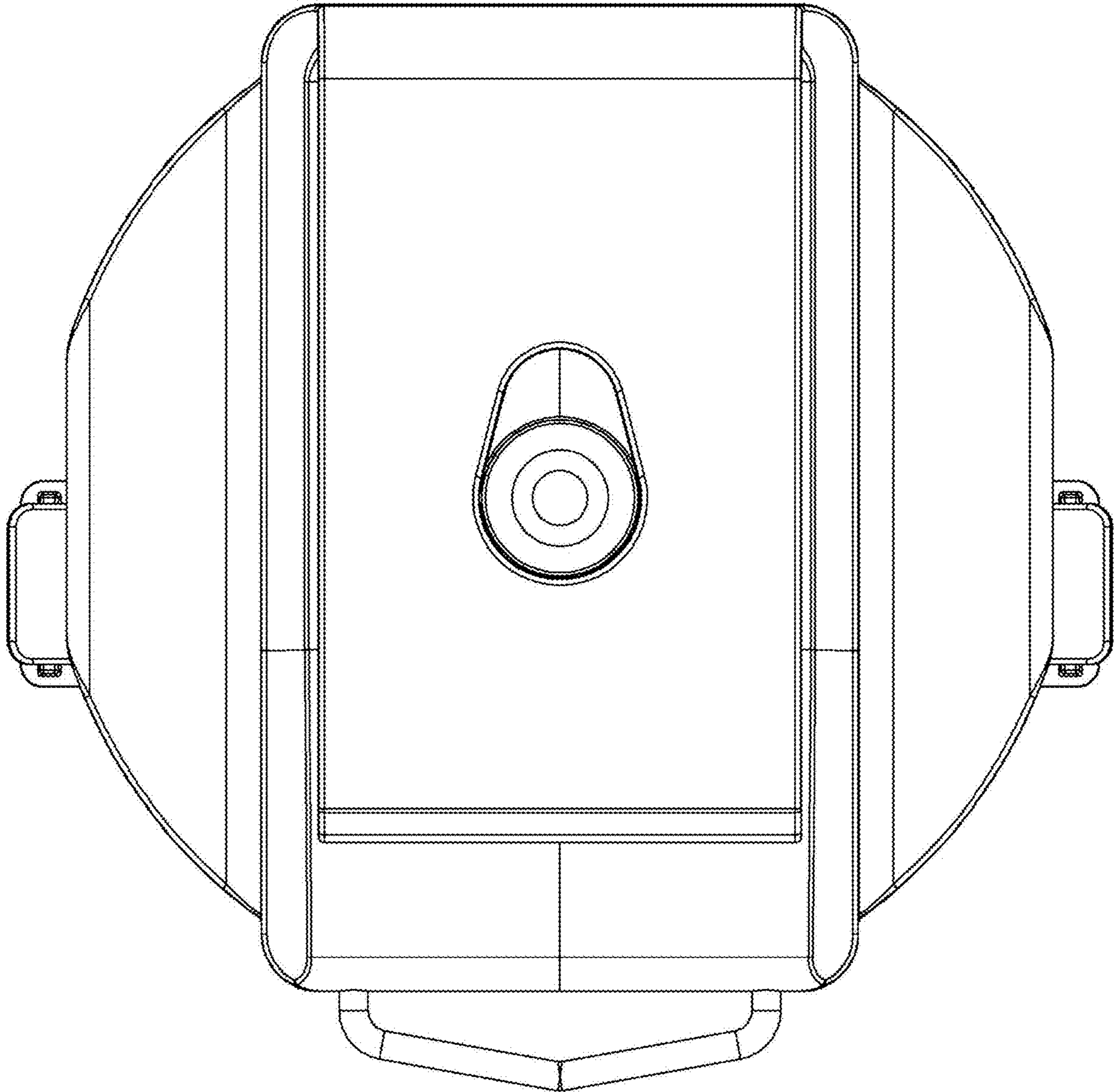
1.1



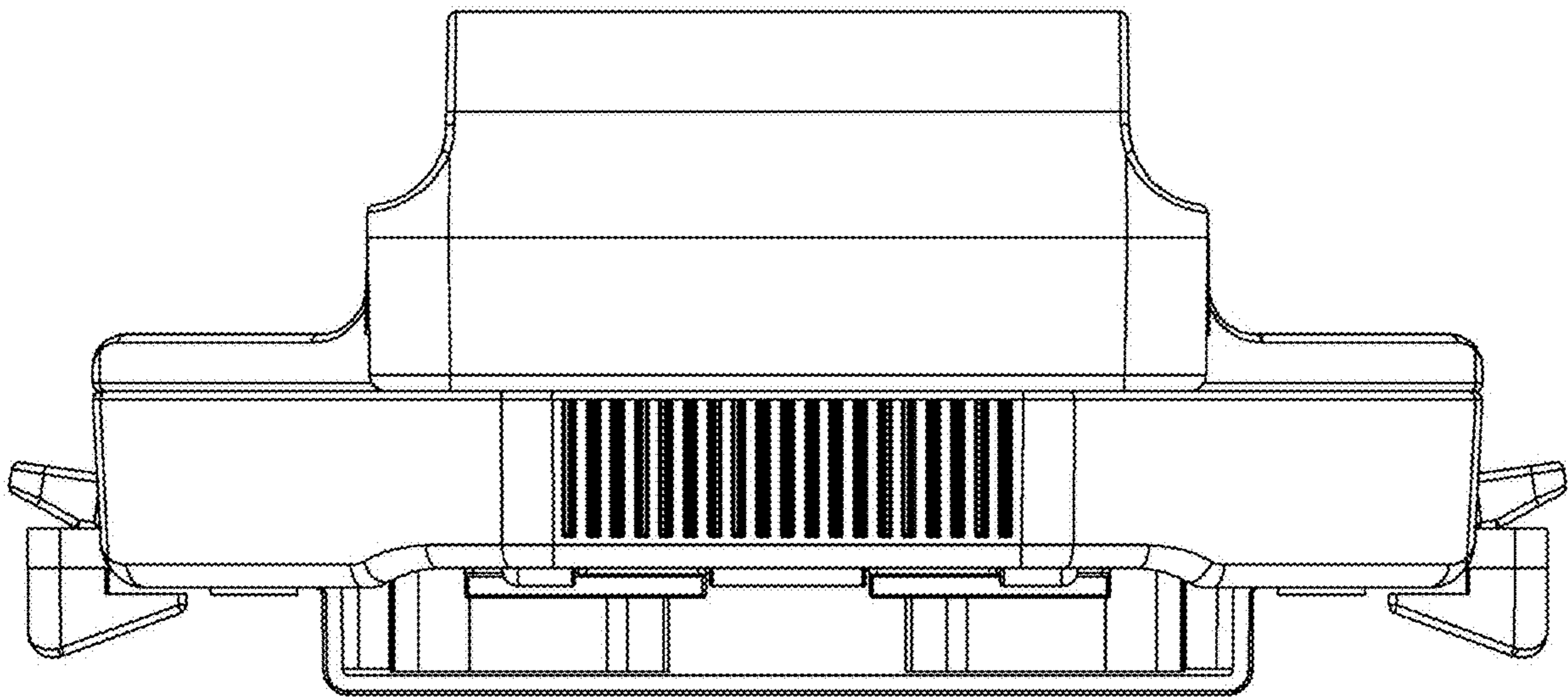
1.2



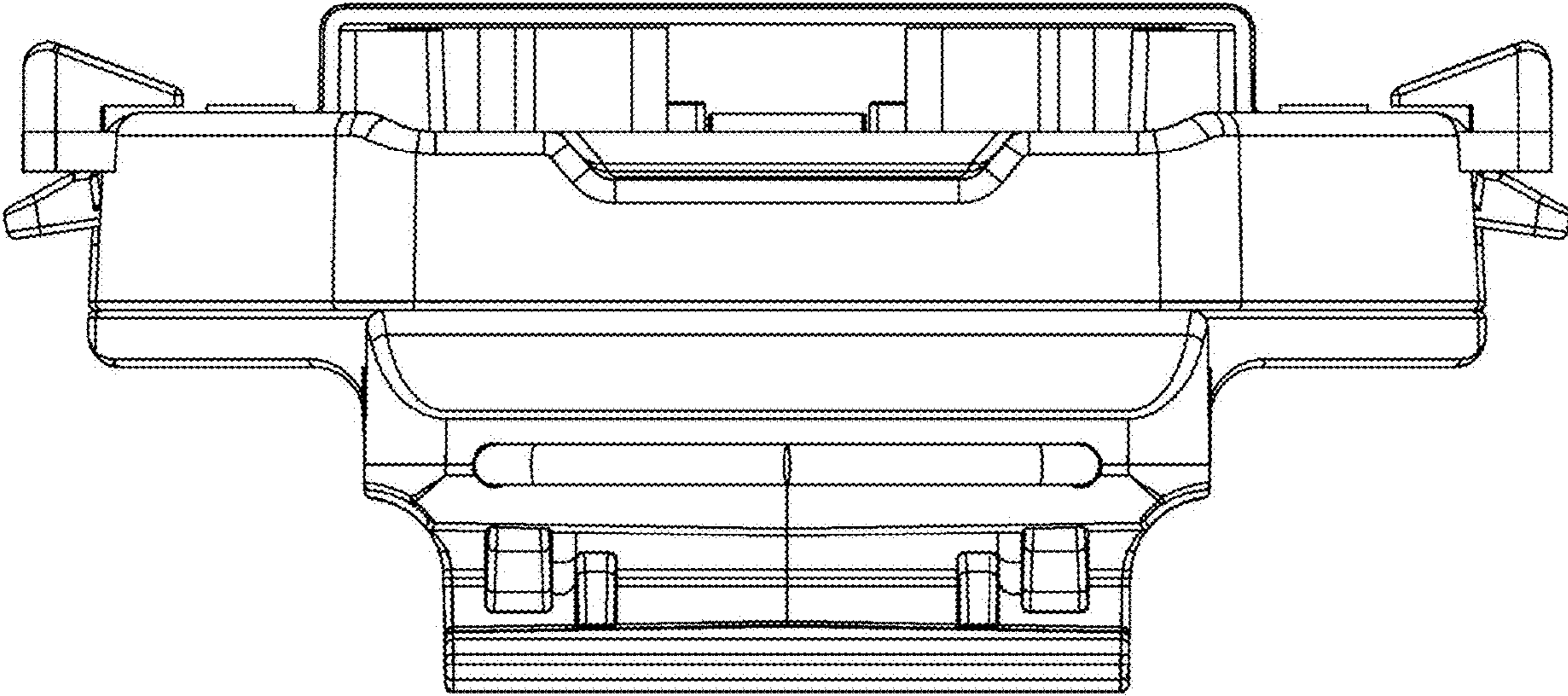
1.3



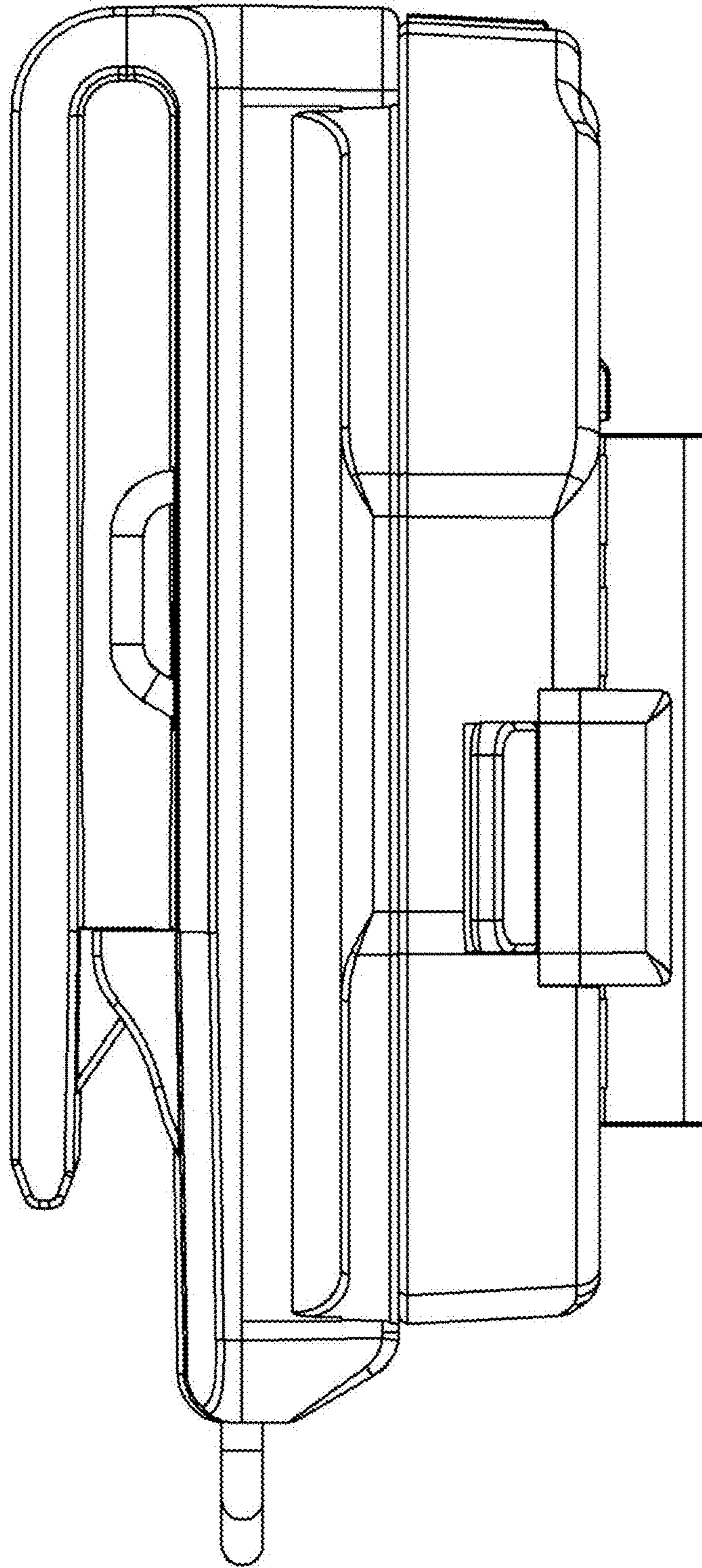
1.4



1.5



1.6



1.7

