



US00D968984S

(12) **United States Design Patent** (10) **Patent No.:** **US D968,984 S**  
**Lee** (45) **Date of Patent:** **\*\* Nov. 8, 2022**

(54) **COVER FOR TRACKING DEVICE**

(71) Applicant: **ELAGO CO. LTD**, Goyang-si (KR)  
(72) Inventor: **Chanwoo Lee**, Goyang-si (KR)  
(73) Assignee: **elago CO. LTD**, Goyang-si (KR)  
(\*\*) Term: **15 Years**

(21) Appl. No.: **29/829,843**

(22) Filed: **Mar. 8, 2022**

(51) **LOC (13) Cl.** ..... **10-04**

(52) **U.S. Cl.**  
USPC ..... **D10/74**

(58) **Field of Classification Search**  
USPC ..... D10/121, 38, 32, 31, 70; D14/203.5,  
D14/203.1, 203.6, 344, 471; D3/218,  
D3/215, 207, 208; D1/115  
CPC ..... A45C 11/321  
See application file for complete search history.

(56) **References Cited**

**U.S. PATENT DOCUMENTS**

|              |         |                |        |
|--------------|---------|----------------|--------|
| D250,007 S   | 10/1978 | Kleiner        |        |
| D252,323 S * | 7/1979  | Molenaar       | D3/207 |
| D322,370 S * | 12/1991 | Cross          | D10/74 |
| D360,070 S * | 7/1995  | DiPaolo        | D3/208 |
| D491,364 S * | 6/2004  | Vish           | D3/218 |
| D520,379 S * | 5/2006  | Miotto         | D10/38 |
| D538,033 S * | 3/2007  | Schaeken       | D3/207 |
| D539,179 S * | 3/2007  | Oas            | D10/70 |
| D543,351 S * | 5/2007  | Bates          | D3/207 |
| D544,706 S * | 6/2007  | Rimon          | D3/207 |
| D565,436 S   | 4/2008  | McDarby et al. |        |

(Continued)

**FOREIGN PATENT DOCUMENTS**

|    |               |          |
|----|---------------|----------|
| CN | 306377148     | 3/2021   |
| CN | 306734765     | 8/2021   |
| KR | 3020220007800 | * 2/2022 |

**OTHER PUBLICATIONS**

Elago Avocado Case Compatible with Apple AirTag-Drop protection Keychain, first available date May 23, 2022, (online) URL:https://www.amazon.com/elago-Avocado-Compatible-Apple-AirTag/dp/B09XWS9RT7?th=1 (Year: 2022).\*

(Continued)

*Primary Examiner* — George D. Kirschbaum  
*Assistant Examiner* — Antoinette Martine Suiter  
(74) *Attorney, Agent, or Firm* — Paratus Law Group, PLLC

(57) **CLAIM**

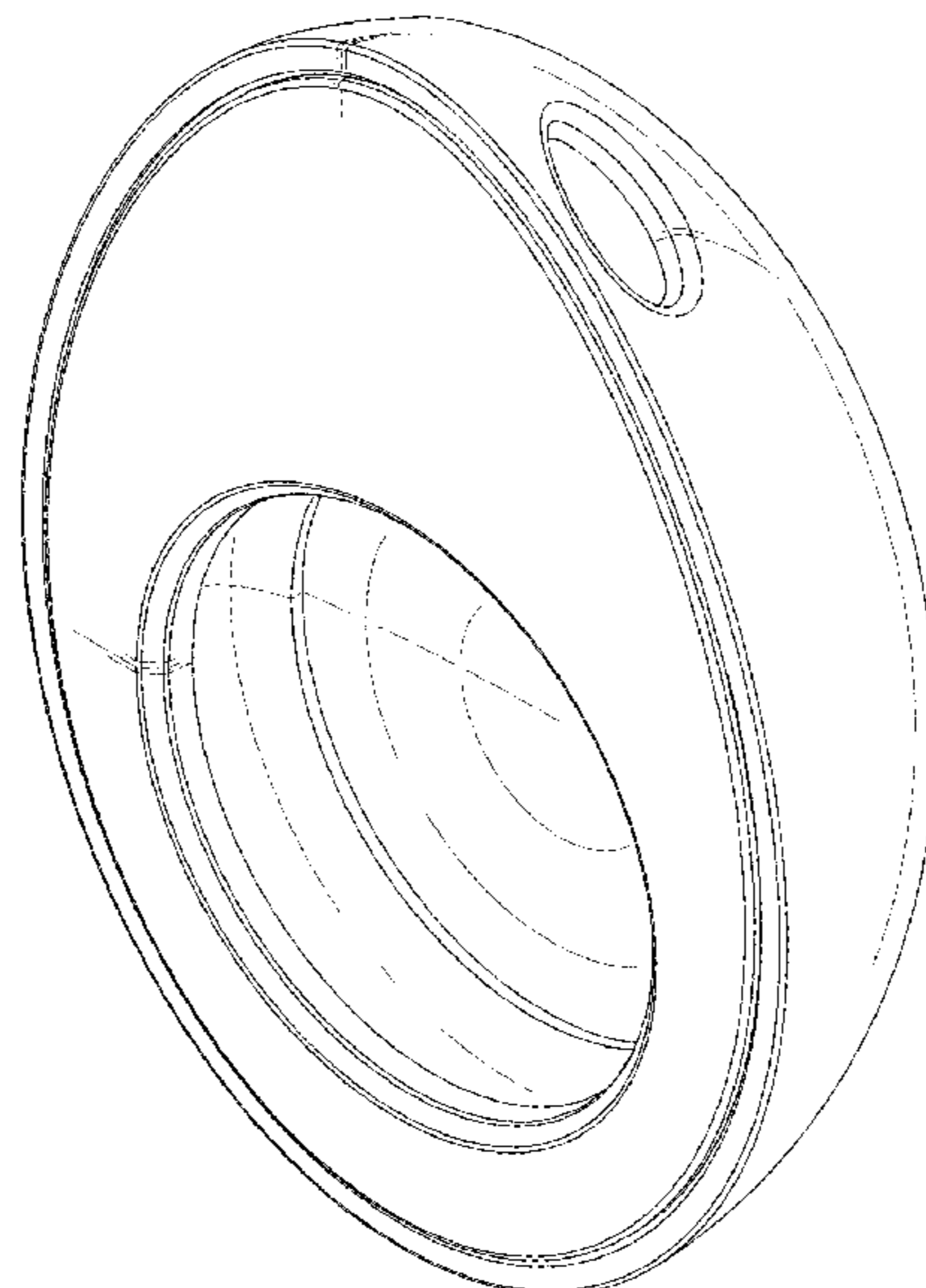
The ornamental design for a cover for tracking device, as shown and described.

**DESCRIPTION**

FIG. 1 is a front, top, and right-side perspective view of a cover for tracking device, showing my new design; FIG. 2 is a front view thereof; FIG. 3 is a back view thereof; FIG. 4 is a left side view thereof; FIG. 5 is a right side view thereof; FIG. 6 is a top view thereof; FIG. 7 is a bottom view thereof; FIG. 8 is a rear, top, and left-side perspective view thereof; FIG. 9 is an enlarged sectional view thereof taken in the direction of line 9-9 shown in FIG. 2; and, FIG. 10 is a front, top, and right-side perspective view thereof in use.

The long dash short dash broken lines and arrows shown in FIG. 2 are used to identify the sectional view and form no part of the claimed design. The evenly spaced oblique parallel broken lines in FIG. 9 represent hatching lines and form no part of the claimed design. The evenly spaced broken lines shown in FIG. 10 depict environment and form no part of the claimed design.

**1 Claim, 8 Drawing Sheets**



(56)

**References Cited**

## U.S. PATENT DOCUMENTS

D575,816 S 8/2008 Law et al.  
 D596,241 S 7/2009 Nathanson  
 D615,293 S \* 5/2010 Glaser ..... D3/207  
 D619,499 S \* 7/2010 Weyer ..... D11/221  
 D656,366 S 3/2012 Abrams  
 D707,957 S \* 7/2014 Oas ..... D3/215  
 D714,665 S 10/2014 Naughton et al.  
 D715,667 S \* 10/2014 Shigeno ..... D10/70  
 D731,334 S \* 6/2015 Fiedler ..... D10/70  
 D771,824 S \* 11/2016 Minoli ..... D10/70  
 D777,522 S 1/2017 Vazin  
 D795,252 S \* 8/2017 Chung ..... D14/344  
 D796,268 S 9/2017 Karsevar et al.  
 D809,947 S 2/2018 Farin  
 D815,967 S 4/2018 Ramasarma et al.  
 D815,968 S 4/2018 Ramasarma et al.  
 D822,325 S \* 7/2018 Rana ..... D1/126  
 D829,121 S 9/2018 Colasse  
 D836,472 S 12/2018 Zhiyuan  
 D850,304 S \* 6/2019 Purba ..... D10/70  
 D861,938 S \* 10/2019 Liu ..... D26/38  
 D889,288 S 7/2020 Lange et al.  
 D918,891 S \* 5/2021 Lee ..... D3/218  
 D924,709 S \* 7/2021 Marx ..... D10/70  
 D928,110 S \* 8/2021 Ouyang ..... D10/70  
 D955,243 S \* 6/2022 Lee ..... D10/70  
 2008/0135421 A1 6/2008 Raisner et al.

## OTHER PUBLICATIONS

Elago AirTag Avocado Case, YouTube, publication date May 17, 2022, (online) URL:<https://www.youtube.com/watch?v=ZtqkEx5pO8k> (Year: 2022).\*

\* cited by examiner

FIG. 1

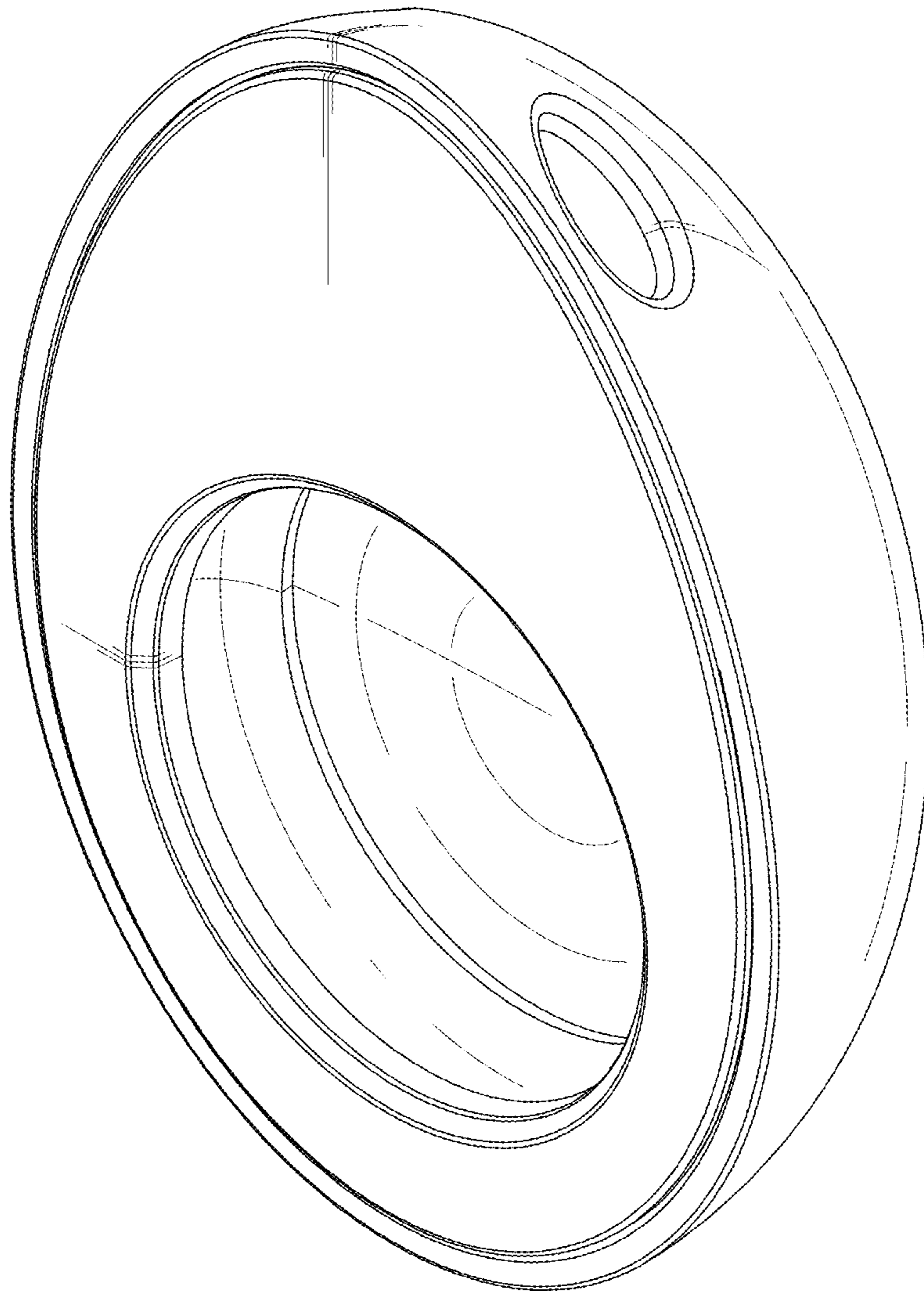


FIG. 2

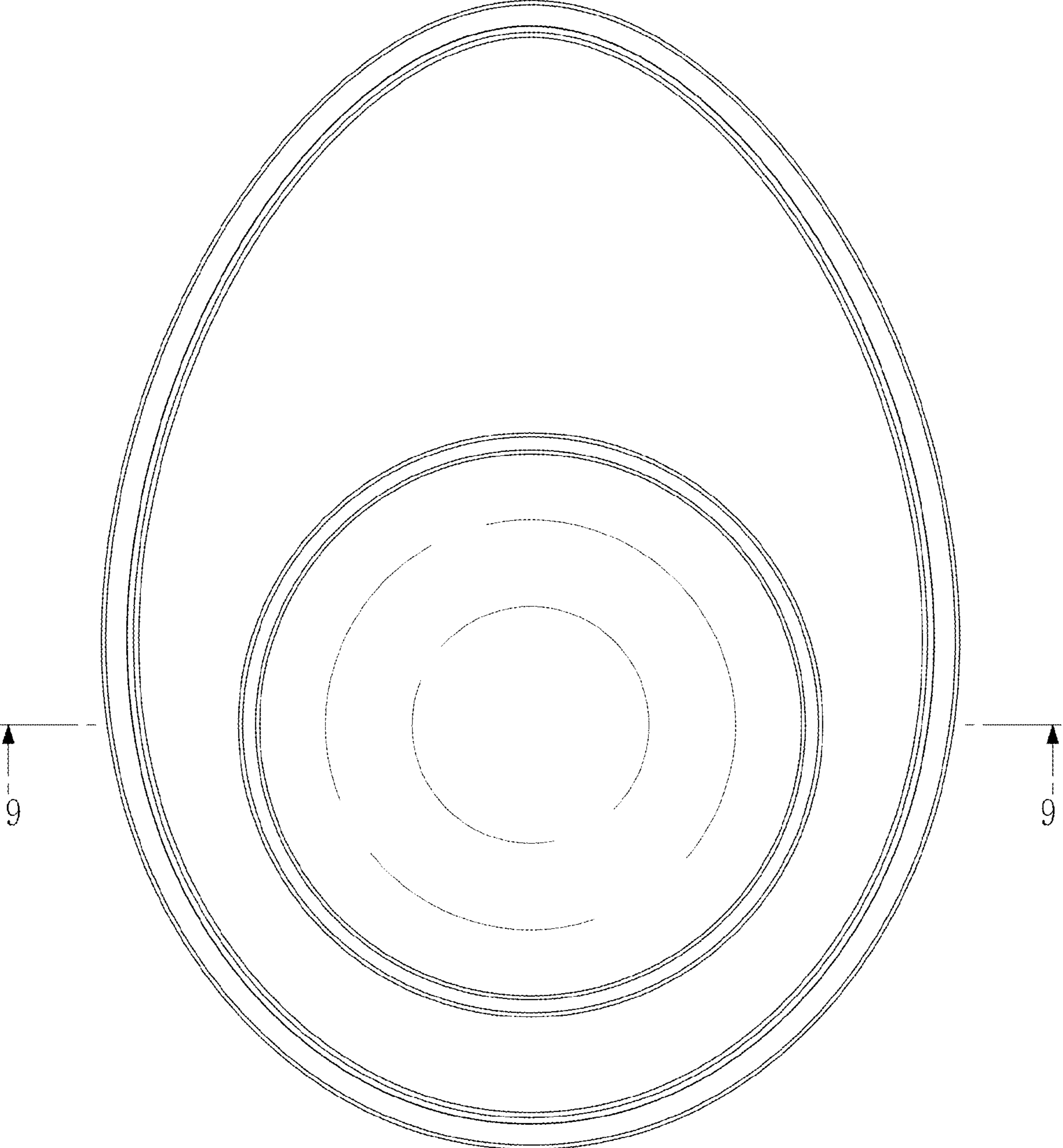


FIG. 3

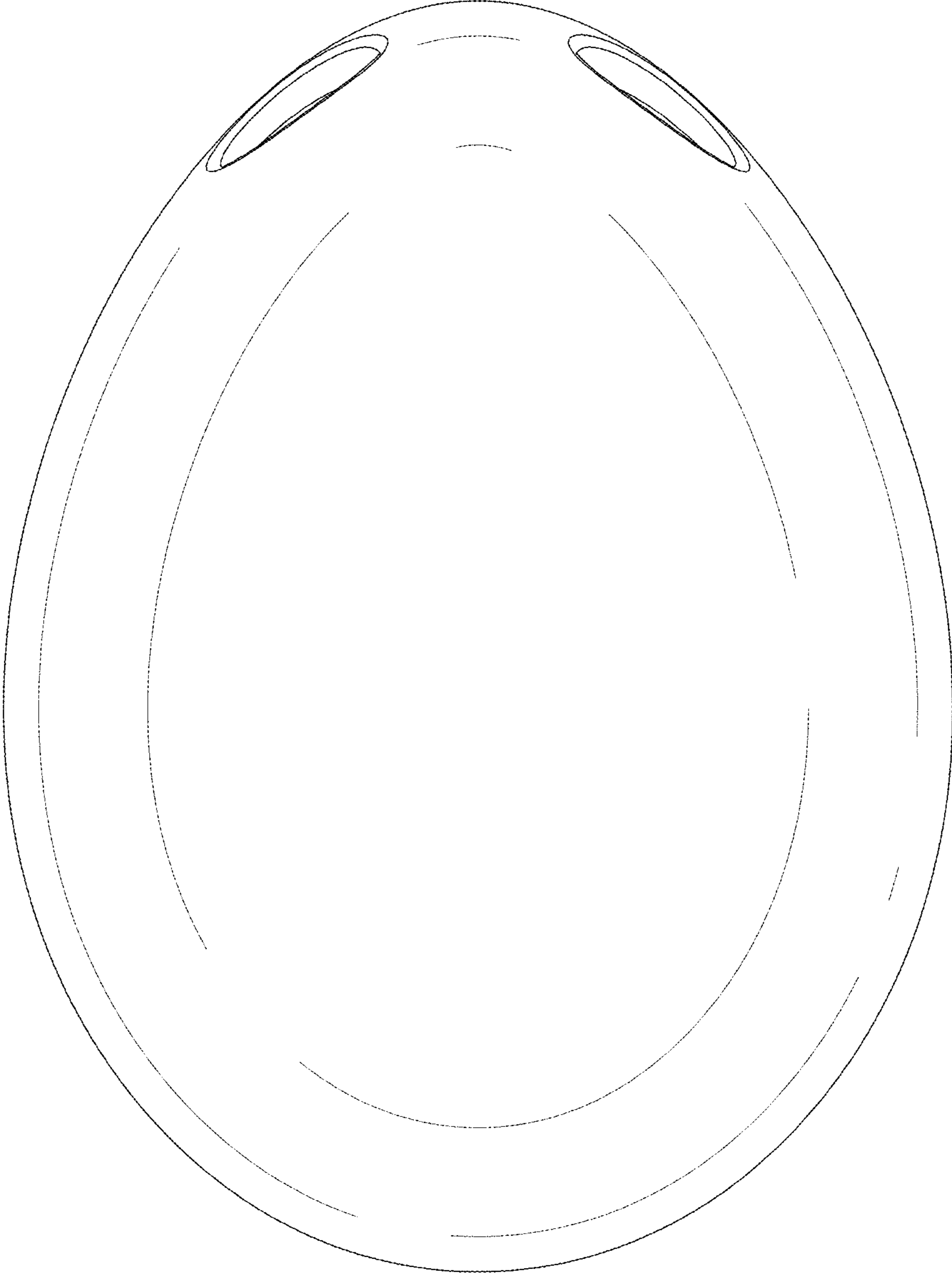


FIG. 4

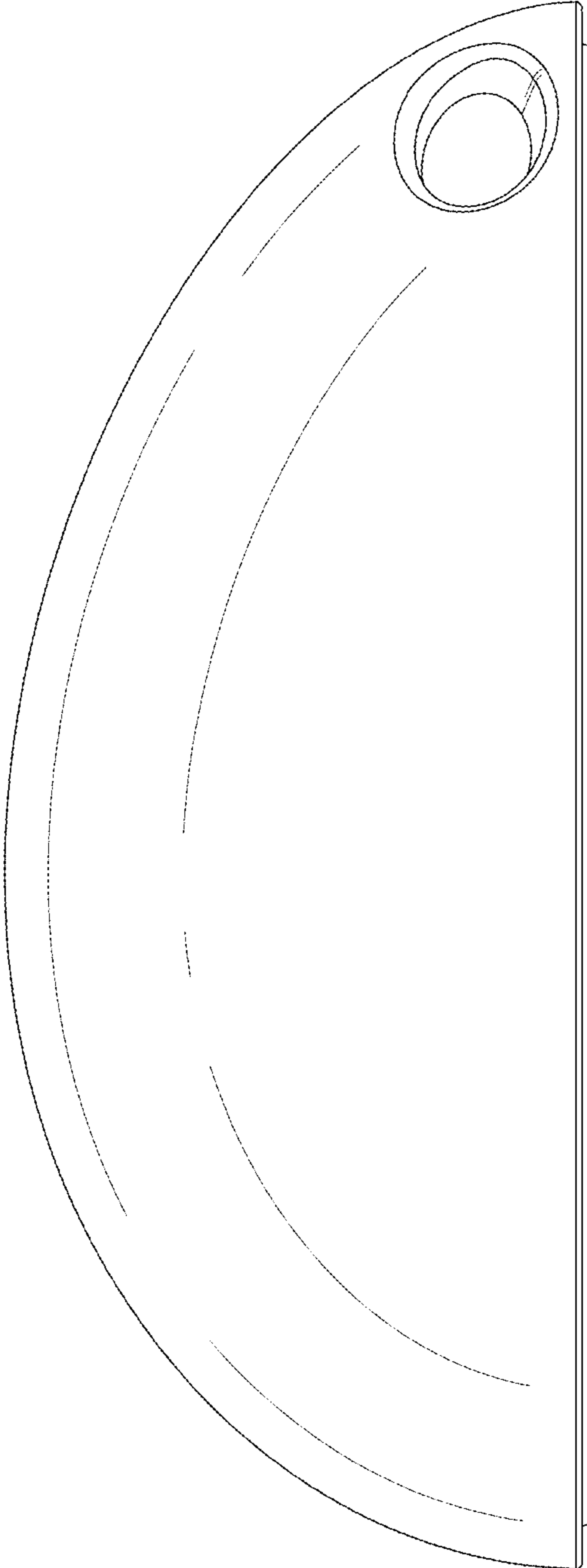


FIG. 5

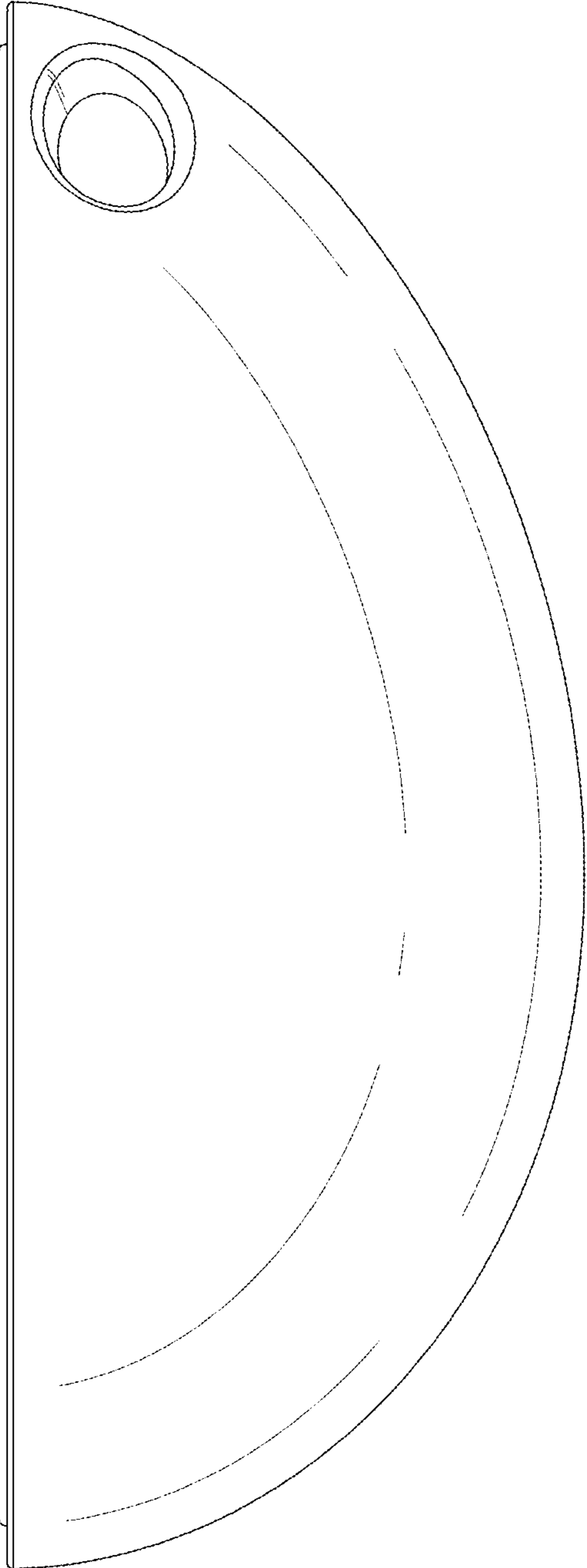


FIG. 6

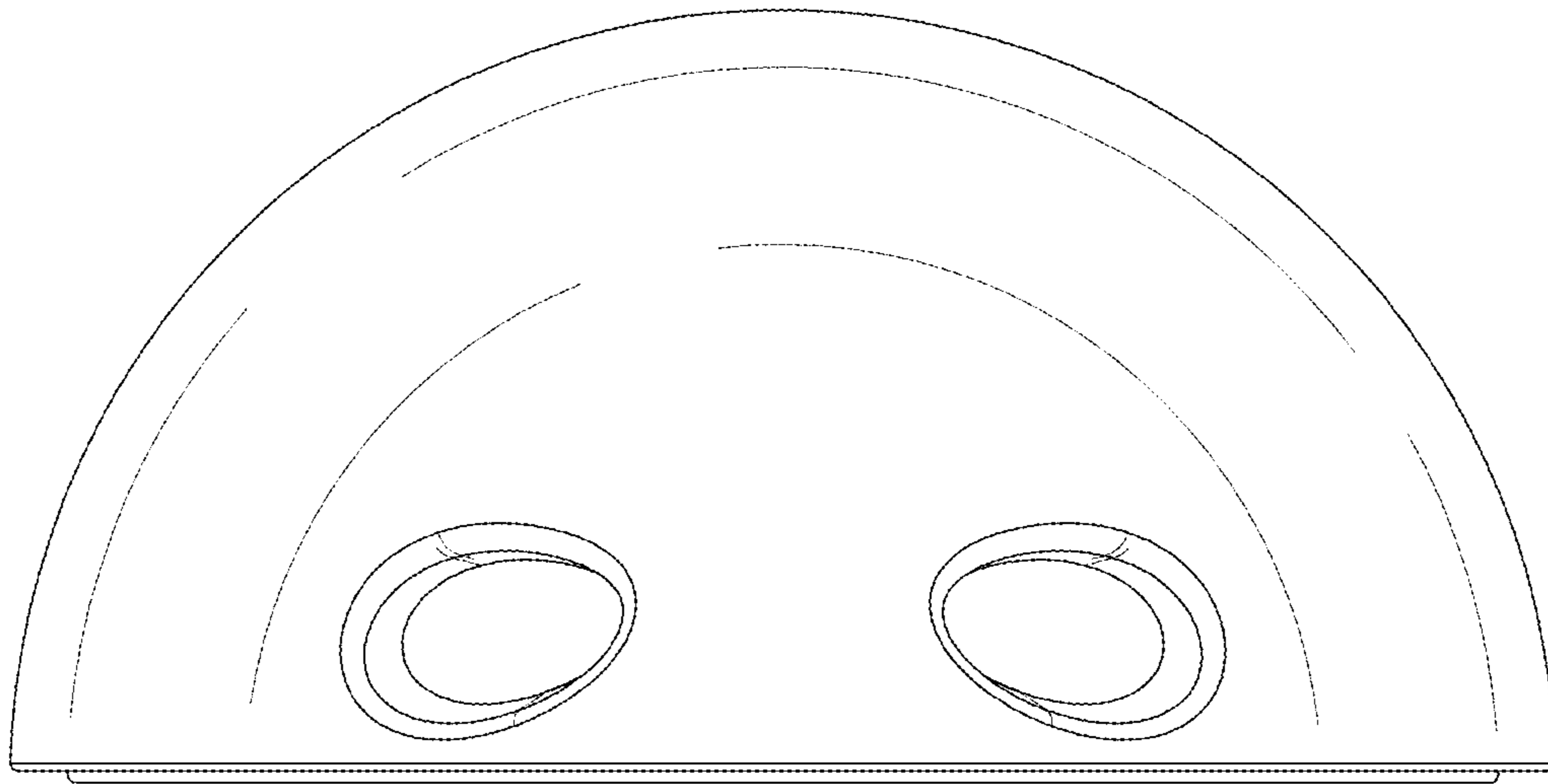


FIG. 7

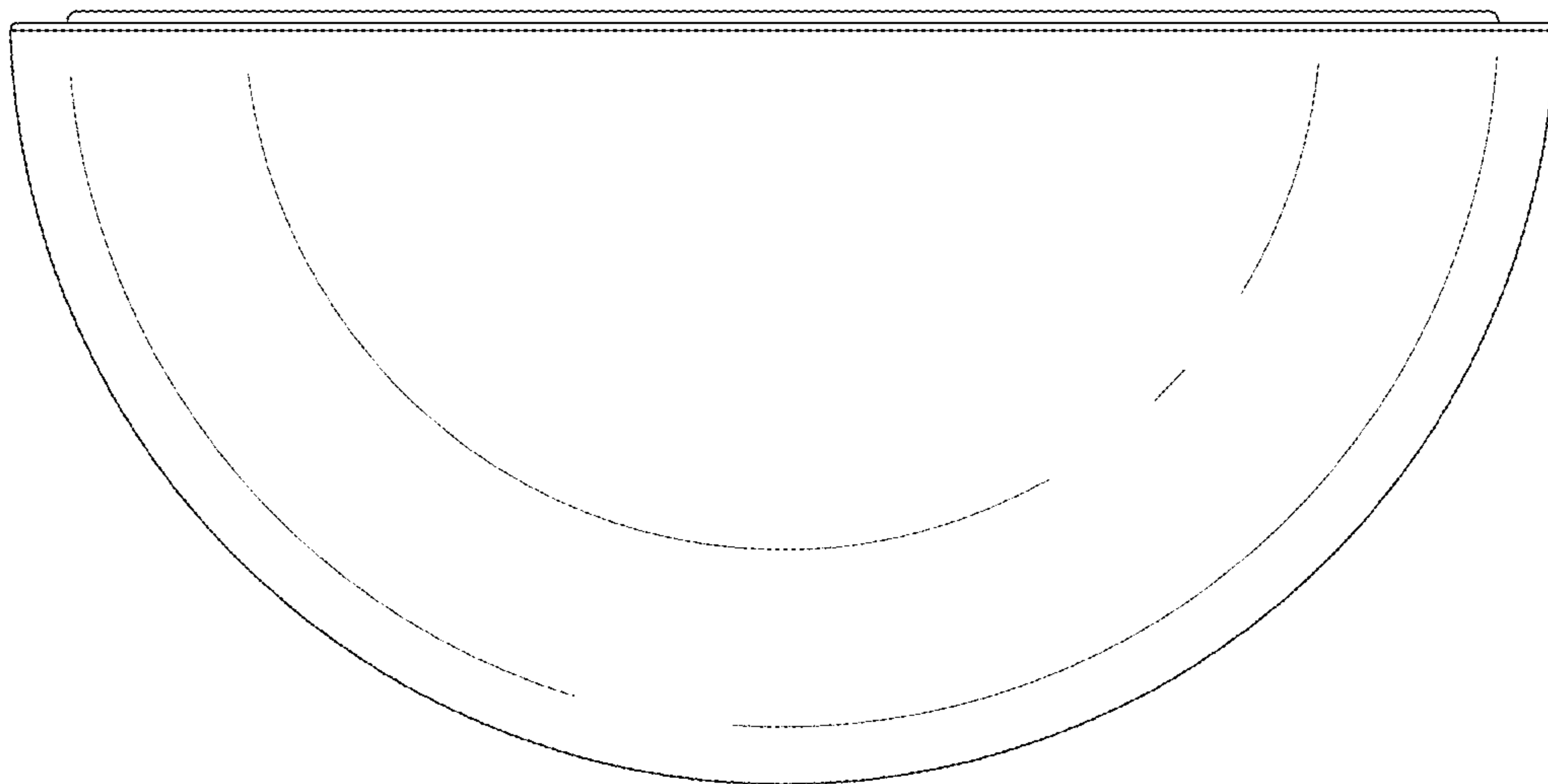


FIG. 8

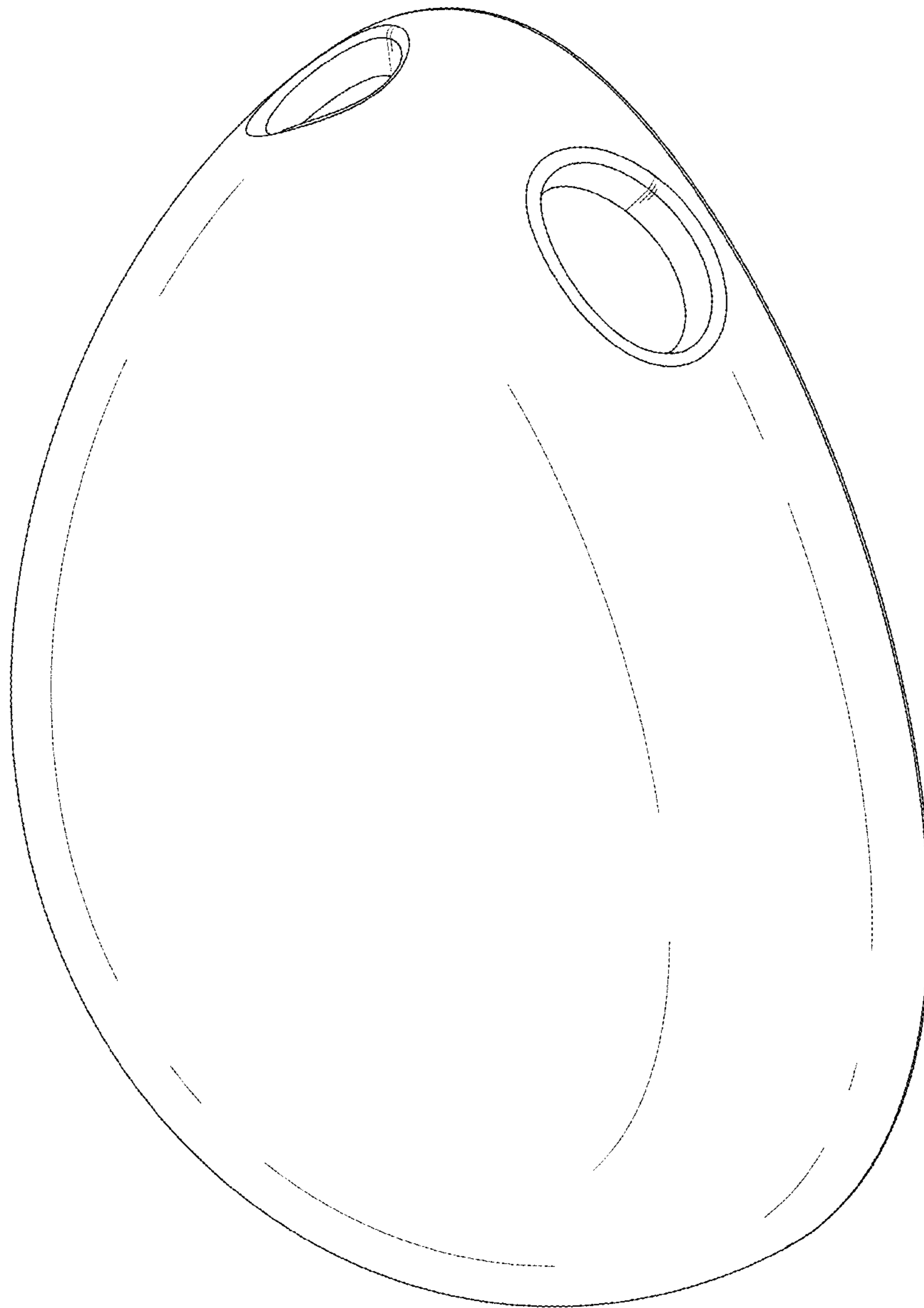




FIG. 9

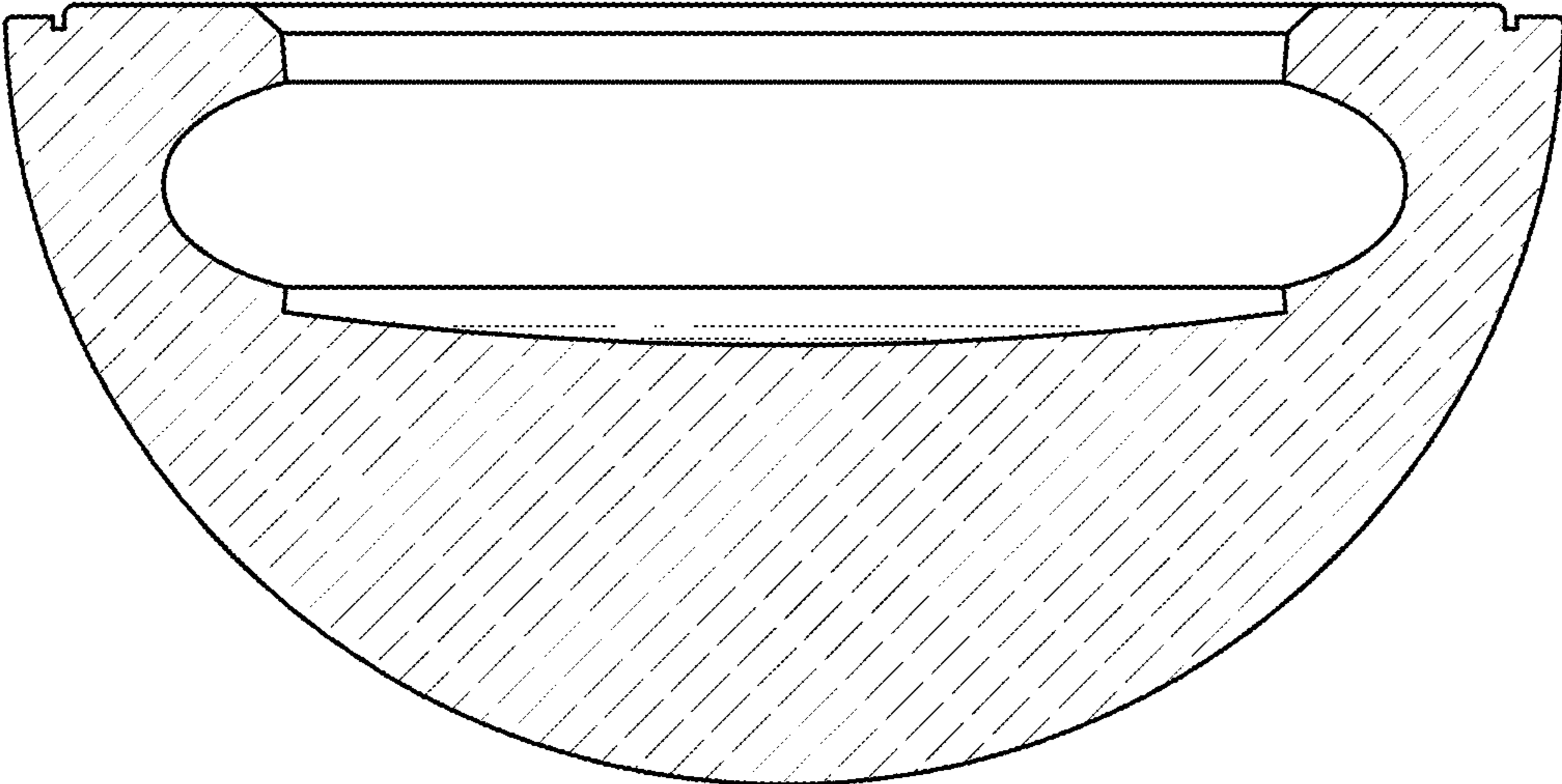


FIG. 10

