



US00D968983S

(12) **United States Design Patent**
Olszewski

(10) **Patent No.:** **US D968,983 S**

(45) **Date of Patent:** **** Nov. 8, 2022**

- (54) **ALIGNMENT BRACKET**
- (71) Applicant: **Reliability Concepts LLC**, Coldwater, MI (US)
- (72) Inventor: **Michael A. Olszewski**, Coldwater, MI (US)
- (73) Assignee: **RELIABILITY CONCEPTS LLC**, Coldwater, MI (US)

D534,904 S *	1/2007	Crawford	D8/354
D548,571 S *	8/2007	Bigelow	D8/349
D598,272 S *	8/2009	Tejszerski	D8/349
D666,476 S *	9/2012	Ito	D8/373
D739,709 S *	9/2015	Wright	D8/354
D754,525 S *	4/2016	Kandakur	D8/354
D832,083 S *	10/2018	Larsen	D8/354
D855,438 S *	8/2019	Akbar	D8/349

(Continued)

- (**) Term: **15 Years**
- (21) Appl. No.: **29/729,602**

- (22) Filed: **Mar. 27, 2020**
- (51) **LOC (13) Cl.** **10-04**
- (52) **U.S. Cl.**
USPC **D10/74**
- (58) **Field of Classification Search**
USPC D6/567; D8/381, 373, 354, 349;
D10/70, 74, 65
CPC G01L 5/10; G01L 1/26; G01B 11/272
See application file for complete search history.

(56) **References Cited**

U.S. PATENT DOCUMENTS

D288,288 S *	2/1987	Hentzschel	D8/382
D395,592 S *	6/1998	Clavel	D8/354
D408,716 S *	4/1999	Vesledahl	D8/354
5,959,220 A *	9/1999	Jun	G01L 5/10 73/862.391
D439,137 S *	3/2001	Ausilio	D8/354
D450,904 S *	11/2001	Laga	D34/27
D455,946 S *	4/2002	Ausilio	D8/354
D458,112 S *	6/2002	Ausilio	D8/354
D458,532 S *	6/2002	Ausilio	D8/354
6,411,375 B1 *	6/2002	Hinkle	G01B 11/272 33/645
D463,970 S *	10/2002	Ausilio	D8/354
D465,402 S *	11/2002	Ausilio	D8/354
D465,403 S *	11/2002	Ausilio	D8/354

OTHER PUBLICATIONS

Fluke Fluke-830/Magnet Magnetic Bracket set, For Laser Alignment, publication date Nov. 4, 2020, (online) URL: <https://www.newegg.com/p/0AF-000H-003H1> (Year: 2020).*

Primary Examiner — George D. Kirschbaum
Assistant Examiner — Antoinette Martine Suiter
(74) *Attorney, Agent, or Firm* — Dinsmore & Shohl LLP

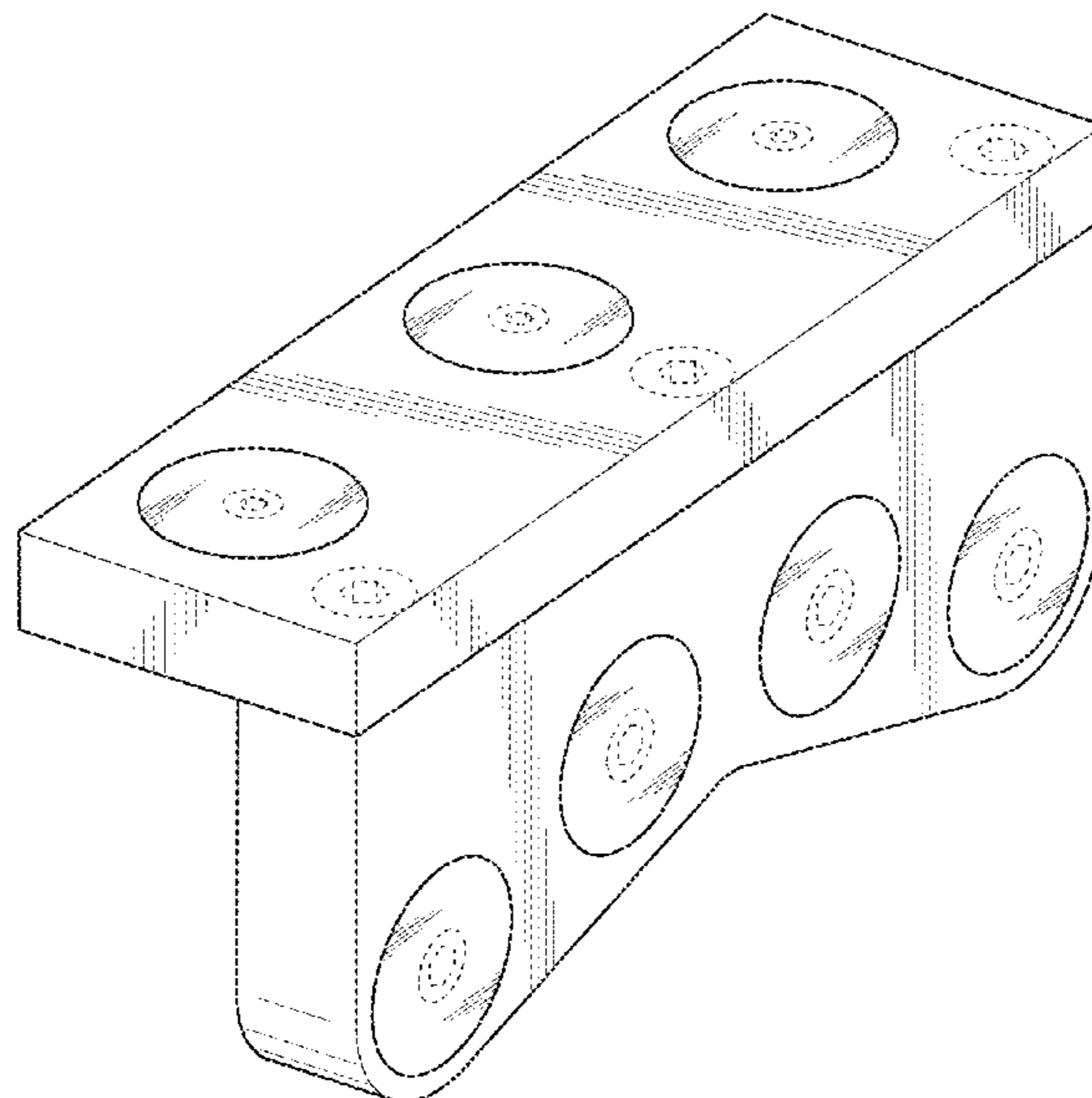
(57) **CLAIM**

The ornamental design for an alignment bracket, as shown and described.

DESCRIPTION

FIG. 1 is a perspective view of an alignment bracket in accordance with the present invention; FIG. 2 is a side view of the alignment bracket of FIG. 1; FIG. 3 is an end view of the alignment bracket of FIG. 1; FIG. 4 is an opposite end view of the alignment bracket of FIG. 1; FIG. 5 is an opposite side view of the alignment bracket of FIG. 1; FIG. 6 is a top view of the alignment bracket of FIG. 1; and, FIG. 7 is a bottom view of the alignment bracket of FIG. 1. The broken line portions illustrate environmental features that form no part of the claimed design and unshaded surfaces bound on all sides by broken lines form no part of the claimed design.

1 Claim, 3 Drawing Sheets



(56)

References Cited

U.S. PATENT DOCUMENTS

D904,209 S * 12/2020 Burns D10/65
D913,779 S * 3/2021 Murphy D8/381
10,962,428 B1 * 3/2021 Olszewski G01L 5/047
D943,404 S * 2/2022 Tran D8/373
2015/0052764 A1 * 2/2015 Olszewski G01B 11/272
33/286
2019/0390572 A1 * 12/2019 Troitino Lopez G01B 11/27
2020/0124409 A1 * 4/2020 Jozokos G01B 5/25
2020/0141724 A1 * 5/2020 Lawrence G01B 11/272
2021/0302250 A1 * 9/2021 Olszewski G01L 5/105

* cited by examiner

FIG. 1

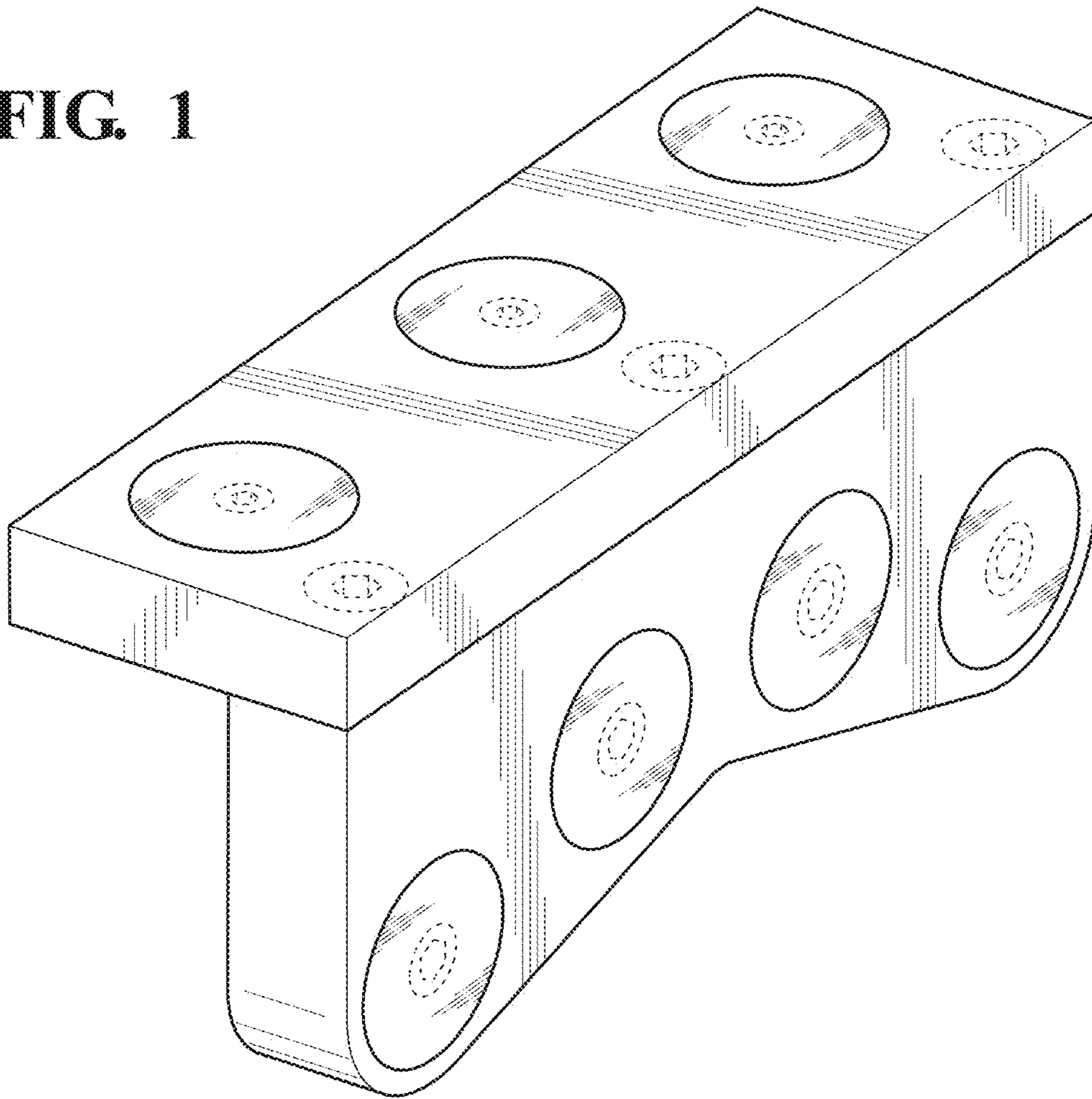


FIG. 2

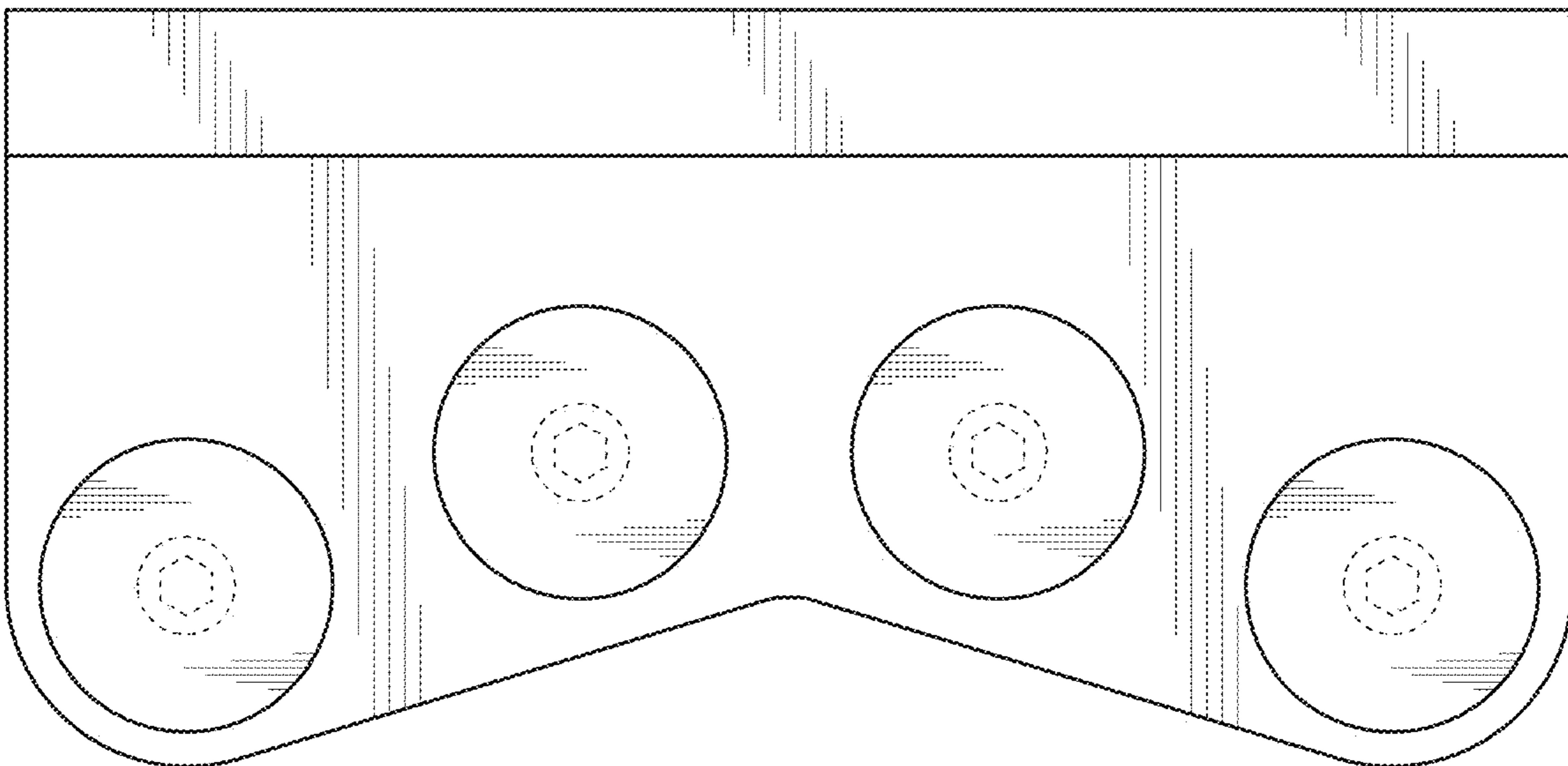


FIG. 3

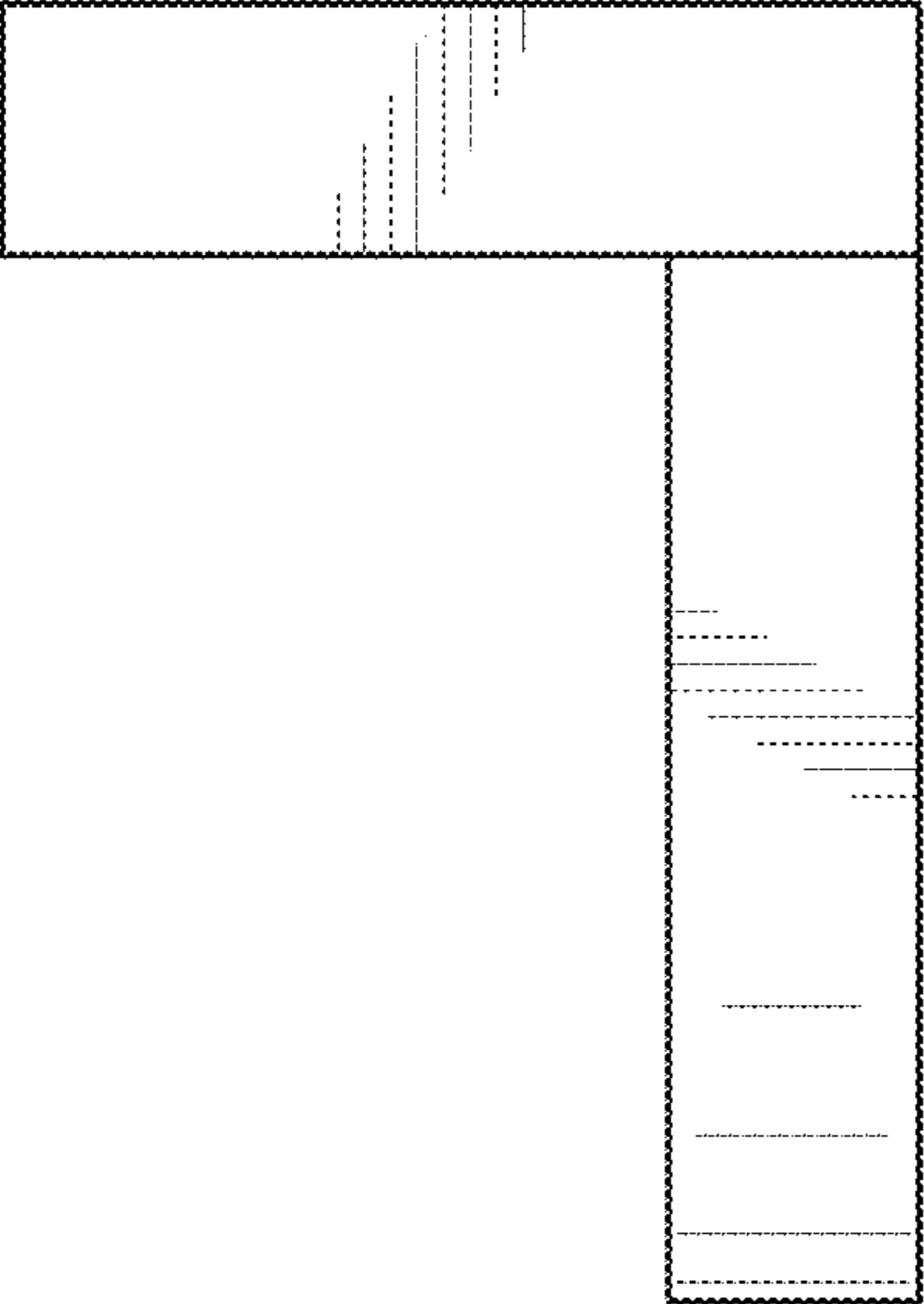


FIG. 4

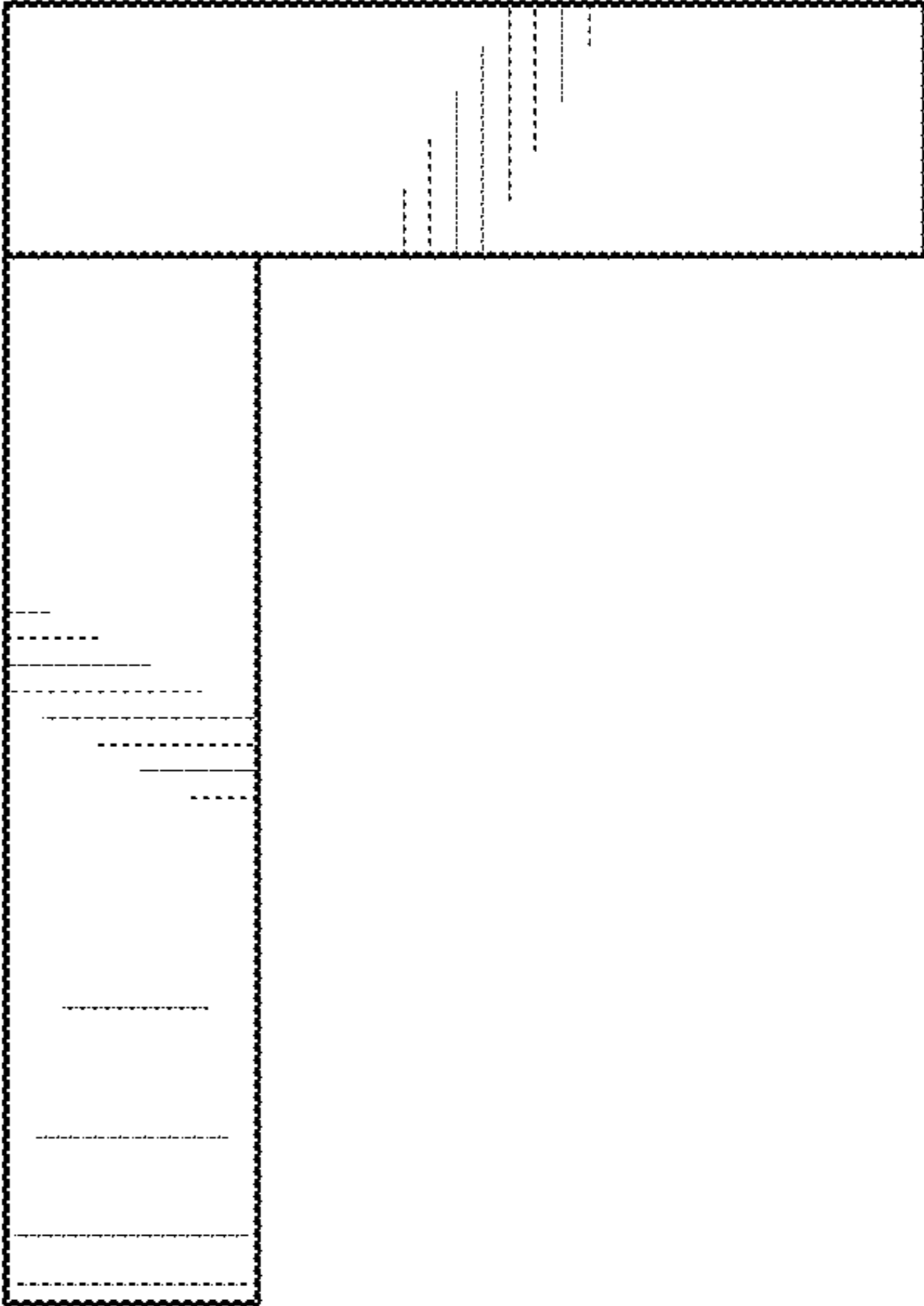


FIG. 5

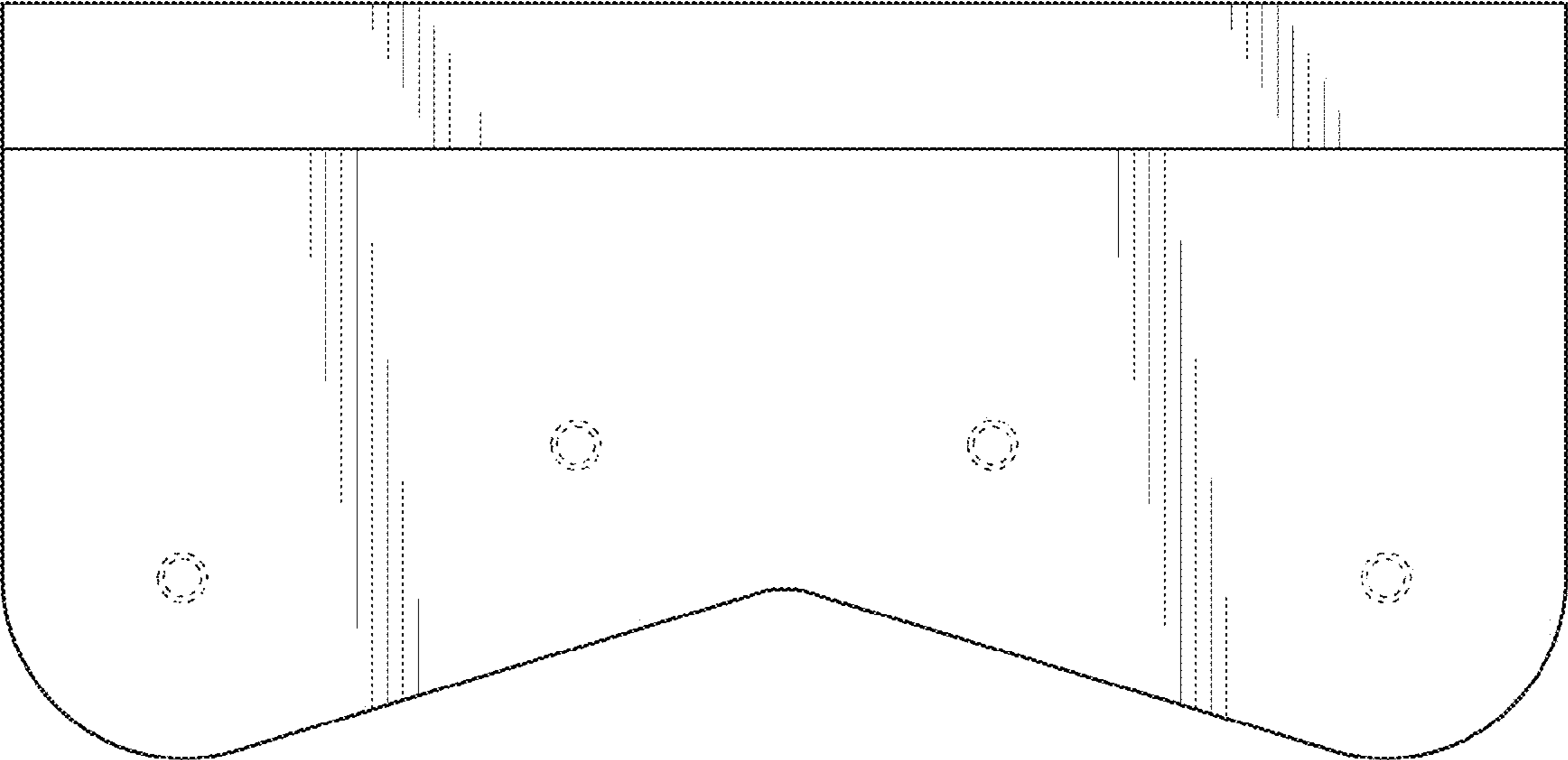


FIG. 6

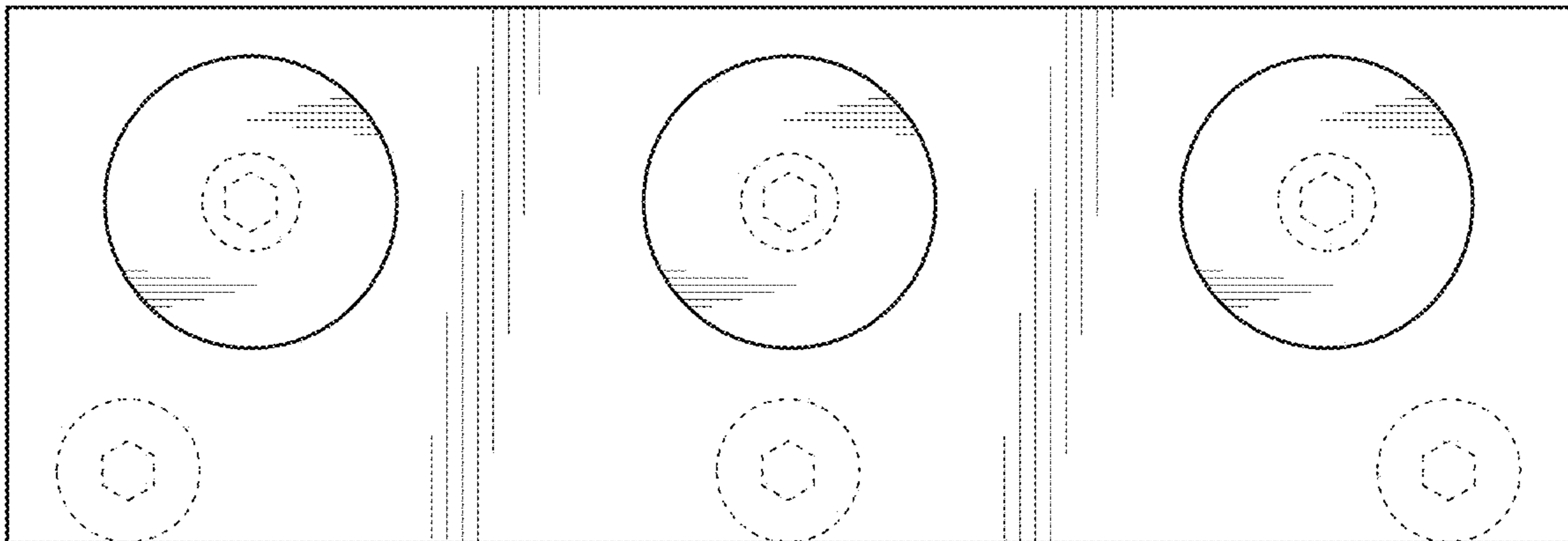


FIG. 7

