



US00D968976S

(12) **United States Design Patent**
Lin

(10) **Patent No.:** **US D968,976 S**

(45) **Date of Patent:** **** Nov. 8, 2022**

(54) **SOIL TESTER**

(71) Applicant: **Kaichun Lin**, Guangdong (CN)

(72) Inventor: **Kaichun Lin**, Guangdong (CN)

(**) Term: **15 Years**

(21) Appl. No.: **29/827,020**

(22) Filed: **Feb. 16, 2022**

(51) **LOC (13) Cl.** **10-04**

(52) **U.S. Cl.**

USPC **D10/56; D10/53; D10/81**

(58) **Field of Classification Search**

USPC D10/53, 56, 81

CPC G01N 33/24; G01N 33/246; G01N

2033/243; G01N 2033/245; G01N

2033/248; G01N 15/08; G01N 15/0806;

G01N 2203/0623; G01N 2203/0617;

G01N 2203/06; G01N 2203/0605; G01N

2203/0641; G01N 2203/0647; G01N

2203/0658; G01N 33/241

See application file for complete search history.

(56) **References Cited**

U.S. PATENT DOCUMENTS

D288,180 S	2/1987	Shrull	
D491,822 S *	6/2004	Holbein	D10/56
D526,914 S *	8/2006	Holbein	D10/56
D584,969 S *	1/2009	Nies	D10/56
D609,588 S *	2/2010	Morton	D10/56
D632,596 S *	2/2011	Marsden	D10/56
D681,487 S *	5/2013	Lee	D10/81
D756,249 S *	5/2016	Xiao	D10/53

D837,071 S * 1/2019 Yu H04Q 9/02

D10/53

D868,605 S * 12/2019 Tang A01G 20/00

D10/56

D894,763 S * 9/2020 Yu G01N 3/42

D10/56

2011/0043230 A1* 2/2011 Morton G01N 33/246

324/694

2011/0226044 A1* 9/2011 Hughes G01N 3/42

73/54.02

2017/0241923 A1* 8/2017 Chan A01G 20/00

2019/0037787 A1* 2/2019 Kumar G01K 3/005

2021/0258661 A1* 8/2021 Murray H04Q 9/02

* cited by examiner

Primary Examiner — Antoine Duval Davis

(57) **CLAIM**

The ornamental design for a soil tester, as shown and described.

DESCRIPTION

FIG. 1 is a front elevational view of a soil tester showing my new design;

FIG. 2 is a rear elevational view thereof;

FIG. 3 is a left side view thereof;

FIG. 4 is a right side view thereof;

FIG. 5 is a top plan view thereof;

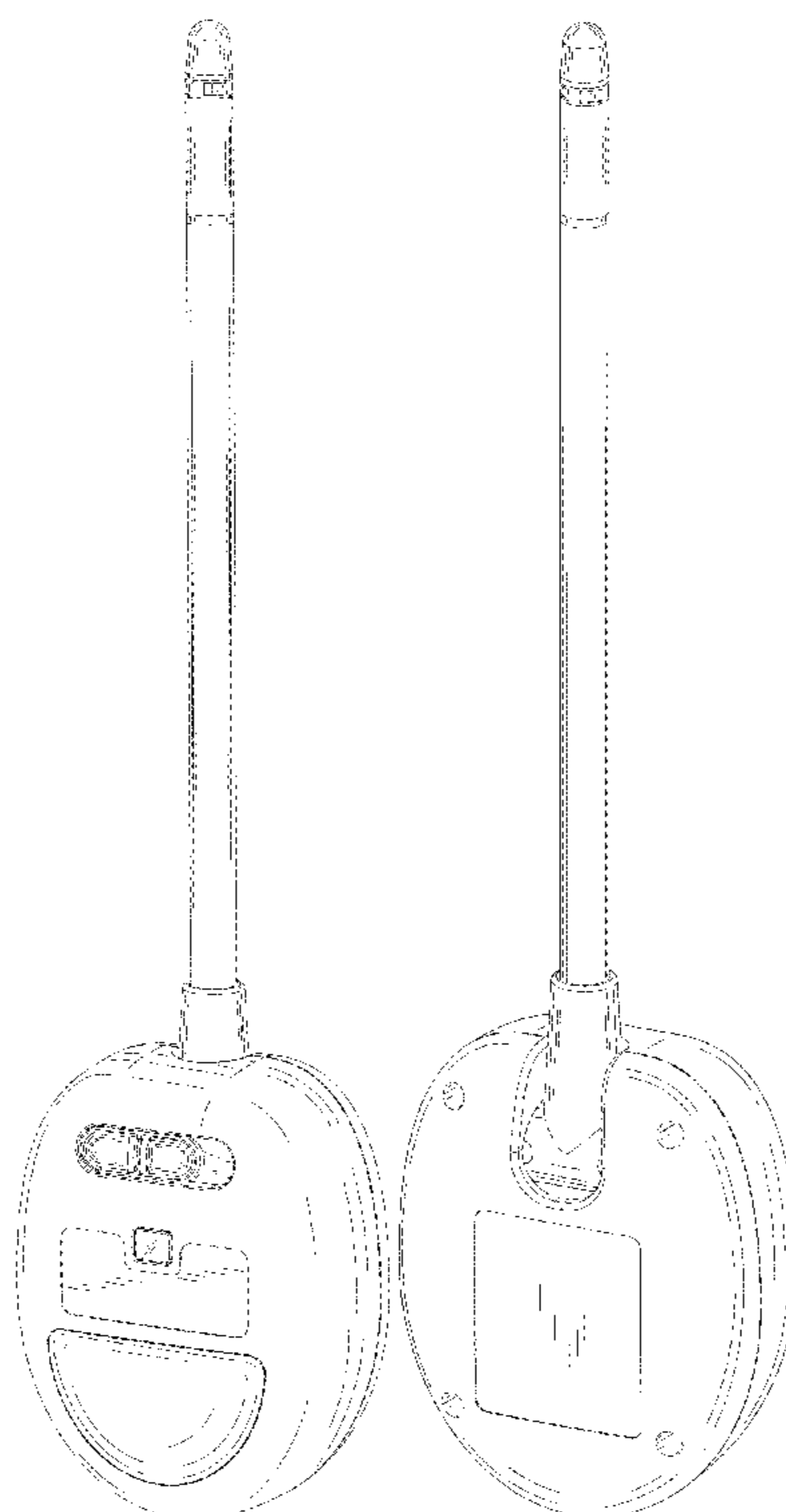
FIG. 6 is a bottom plan view thereof;

FIG. 7 is a perspective view thereof; and,

FIG. 8 is a second perspective view thereof.

The broken lines illustrate portions of the soil tester that do not form part of the claimed design.

1 Claim, 8 Drawing Sheets



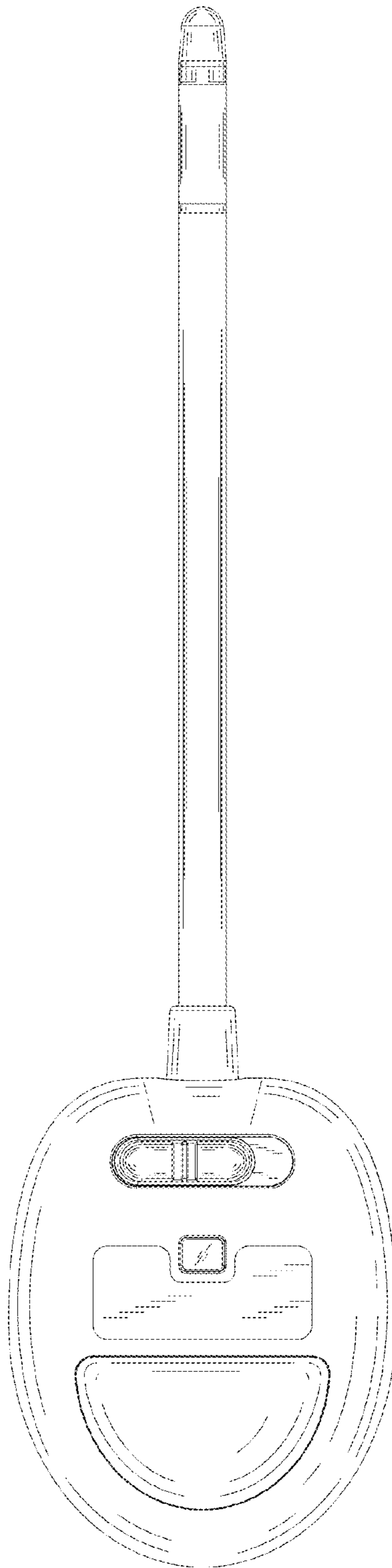


FIG.1

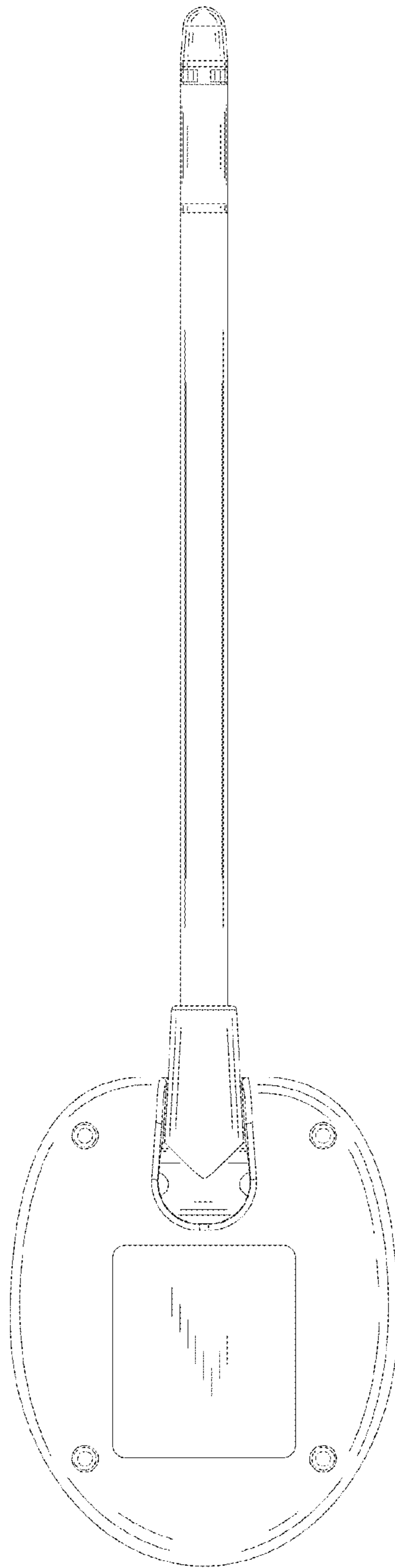


FIG.2

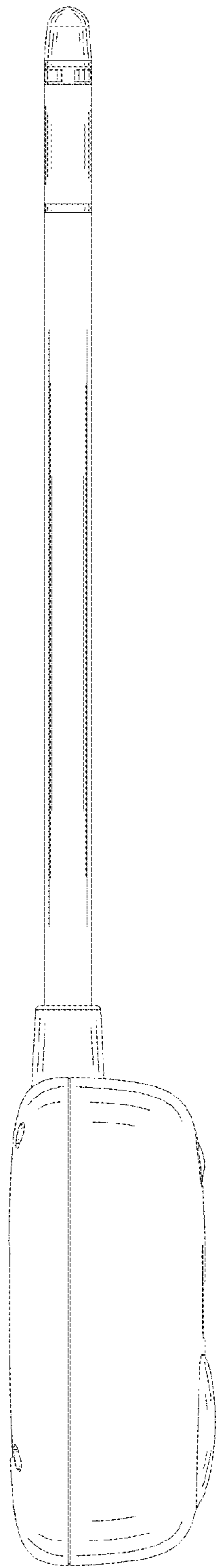


FIG.3

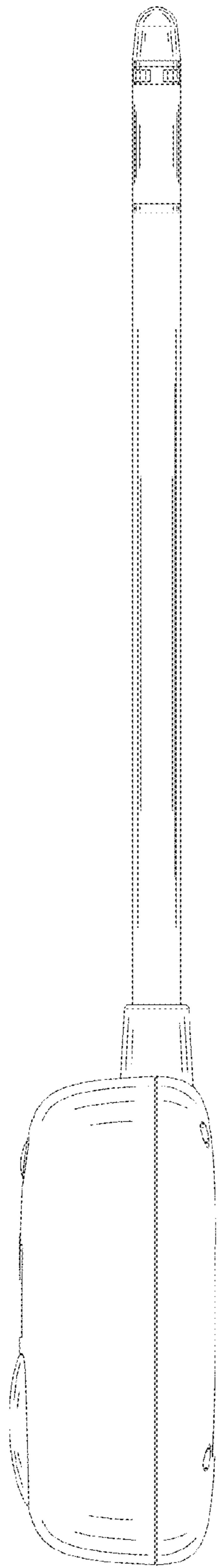


FIG.4

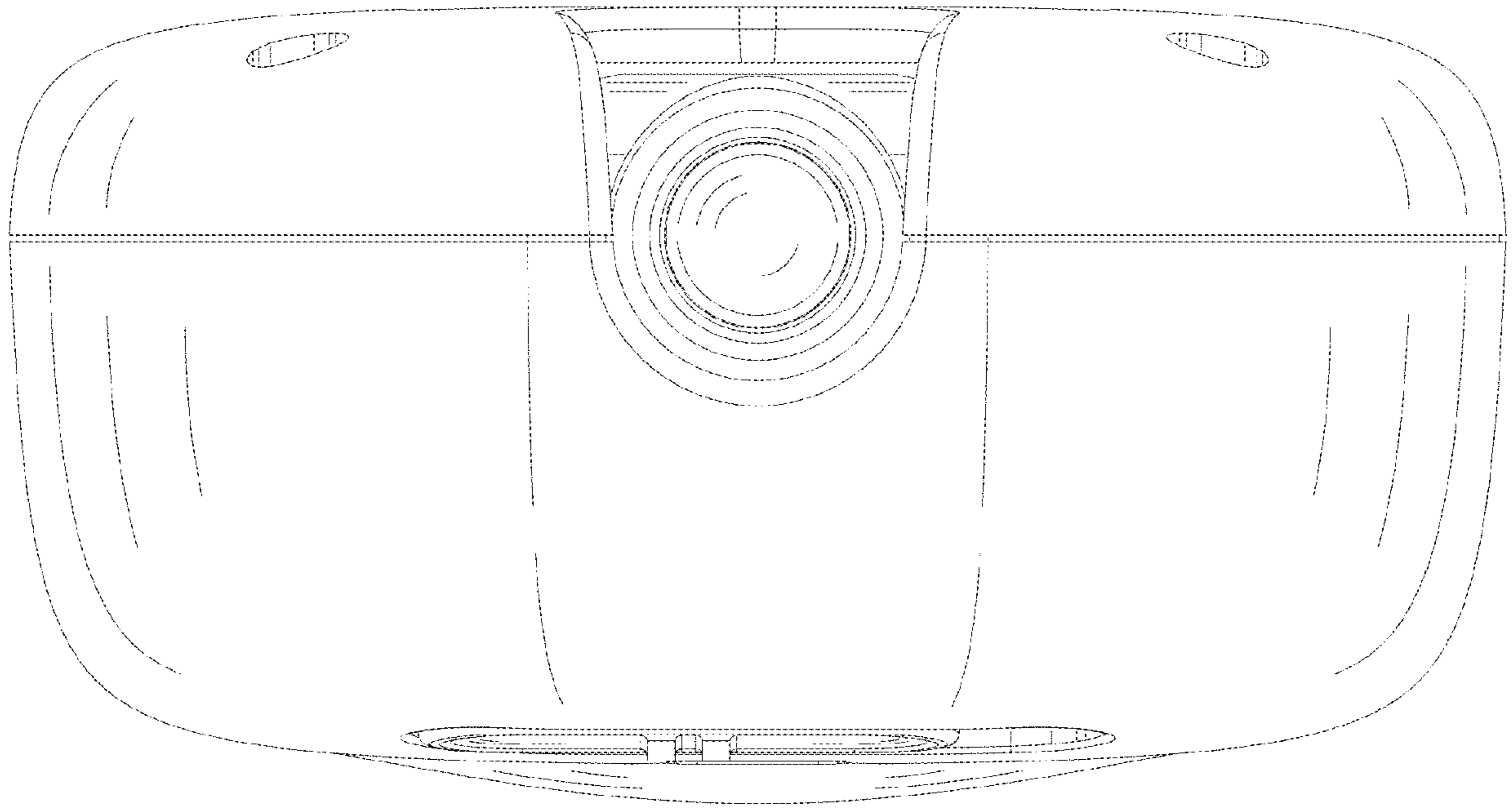


FIG. 5

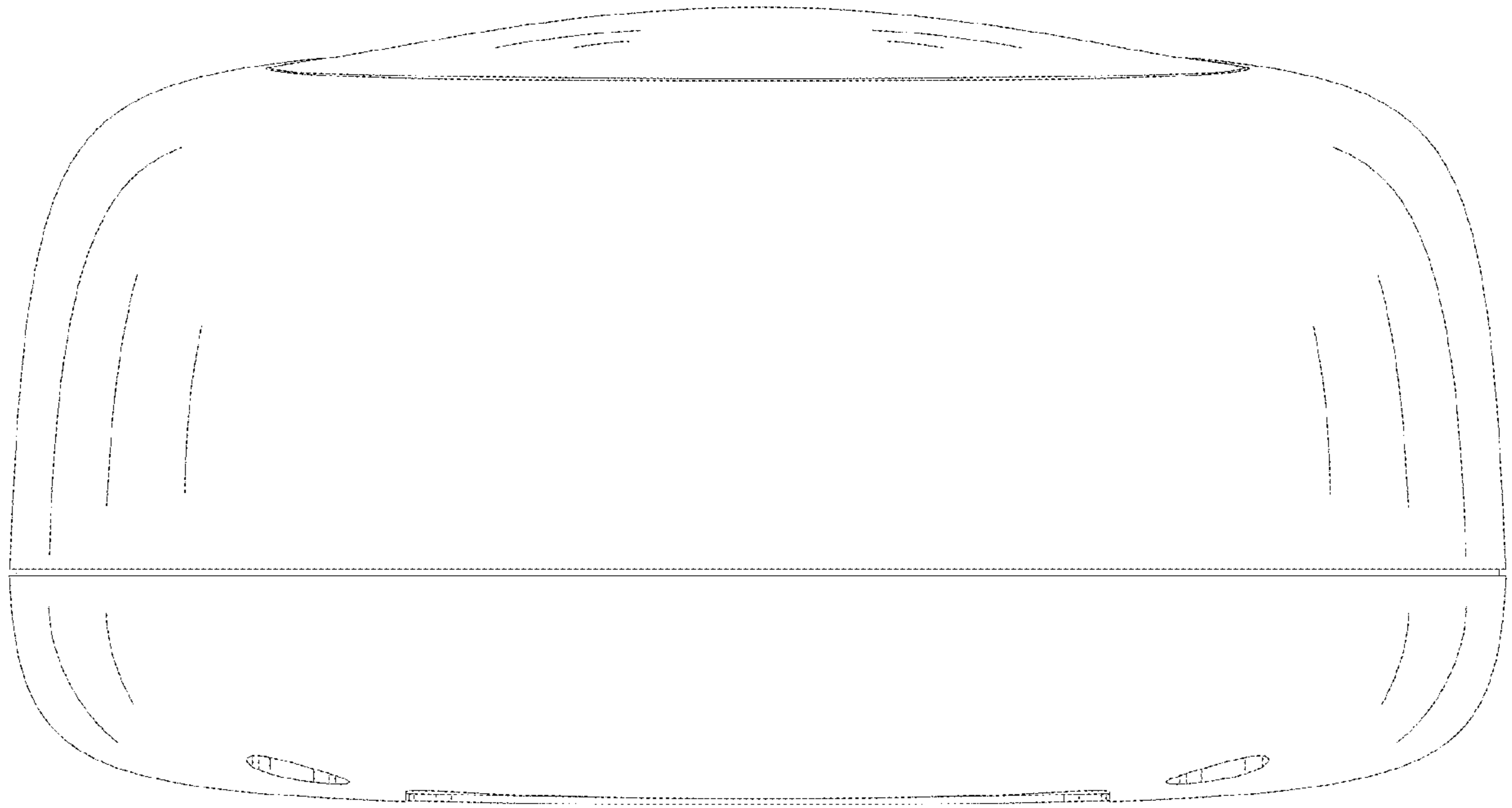


FIG. 6

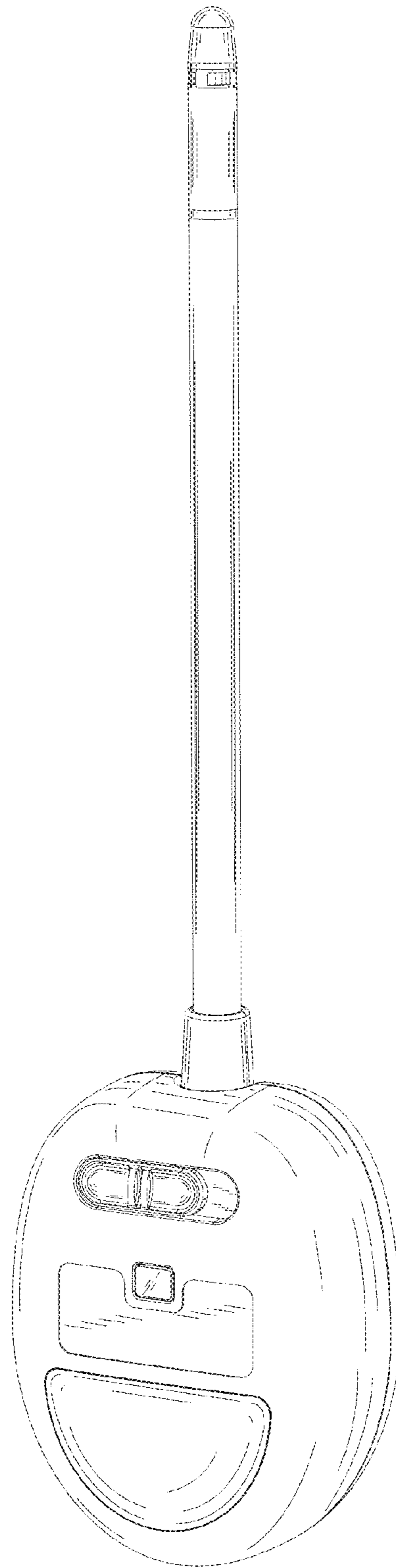


FIG.7

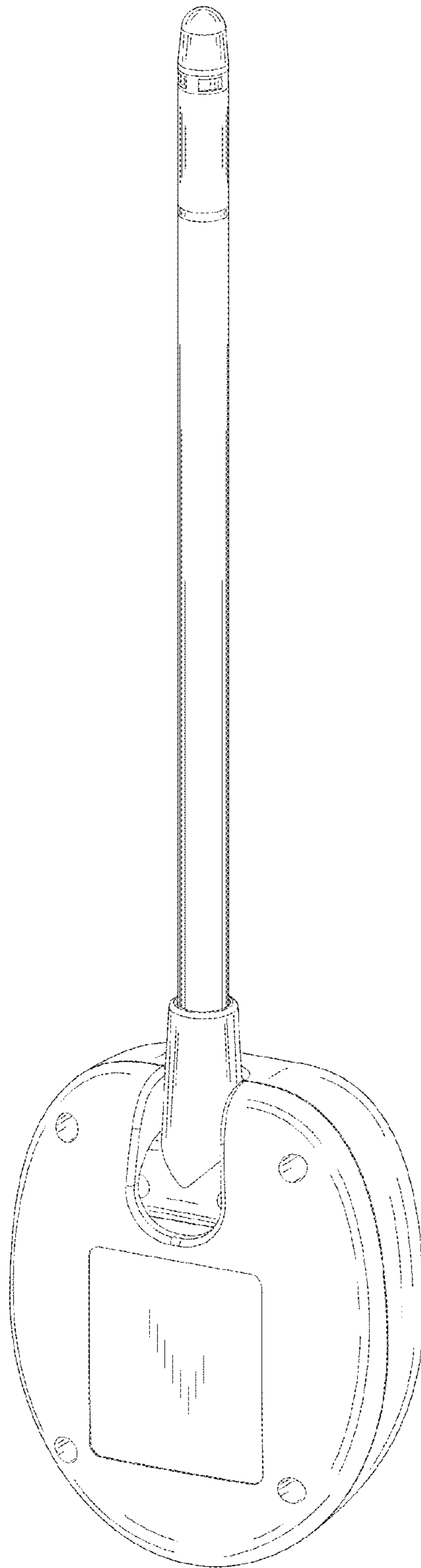


FIG. 8