

US00D968973S

(12) **United States Design Patent** (10) **Patent No.:** **US D968,973 S**  
**Owen** (45) **Date of Patent:** **\*\* \*Nov. 8, 2022**

(54) **PAIRED BASE UNIT AND RECEIVER FOR WIRELESS THERMOMETER**

FOREIGN PATENT DOCUMENTS

(71) Applicant: **ThermoWorks Inc.**, American Fork, UT (US)

CN 304144513 \* 12/2016  
CN 305254493 \* 3/2019

(Continued)

(72) Inventor: **Kevin Owen**, Saratoga Springs, UT (US)

OTHER PUBLICATIONS

(\*) Notice: This patent is subject to a terminal disclaimer.

ThermoPro, TP-16S Digital Meat Thermometer, Date first available Jan. 2, 2019, [online]retrieved Jun. 23, 2021,available from [https://www.amazon.com/dp/B07MF18JHT?pd\\_rd\\_i=B07MF18JHT&pd\\_rd\\_w=yhZ248pf\\_rd\\_p=3465d0d7-4e28-4692-b633-326c458deaa4&pd\\_rd\\_wg=FfnFJ&pf\\_rd\\_r=ZQHEHH03N26DQ7HR26VH&pd\\_rd\\_r=c20f52b7-44](https://www.amazon.com/dp/B07MF18JHT?pd_rd_i=B07MF18JHT&pd_rd_w=yhZ248pf_rd_p=3465d0d7-4e28-4692-b633-326c458deaa4&pd_rd_wg=FfnFJ&pf_rd_r=ZQHEHH03N26DQ7HR26VH&pd_rd_r=c20f52b7-44) (Year: 2019).\*

(\*\*) Term: **15 Years**

(Continued)

(21) Appl. No.: **29/726,164**

Primary Examiner — Keli L Hill

(22) Filed: **Feb. 28, 2020**

Assistant Examiner — Sara S Sahneh

(51) **LOC (13) Cl.** ..... **10-04**

(74) *Attorney, Agent, or Firm* — S. Brandon Owen

(52) **U.S. Cl.**  
USPC ..... **D10/52; D10/57**

(57) **CLAIM**

(58) **Field of Classification Search**

The ornamental design for a paired base unit and receiver for wireless thermometer, as shown and described.

USPC ..... D10/46, 49-60, 81

**DESCRIPTION**

CPC .. H04N 5/332; H04N 5/3651; H04N 21/2143;

FIG. 1 shows a perspective view of the front side of the receiver.

H04N 21/42221; H04N 21/4516; H04N

FIG. 2 shows a perspective view of the back side of the receiver.

21/4343; H04N 21/43637; G01J 5/0265;

FIG. 3 shows a perspective view of the front side of the base unit.

G01J 5/021; G01J 5/048; G01J 5/028;

FIG. 4 shows a perspective view of the back side of the base unit.

G01J 5/0011; G01K 1/024; G01K

FIG. 5 shows a front view of the receiver.

2207/06; G01K 1/00; G01K 1/02; G01K

FIG. 6 shows a back view of the receiver.

7/18; G01K 9/00; G01K 1/026; G01K

FIG. 7 shows a front view of the base unit.

2207/02; G01K 7/427; G01K 15/00;

FIG. 8 shows a back view of the base unit.

G01K 1/086; G01K 2207/00; A61F

FIG. 9 shows a left side view of the receiver.

2007/0096;

FIG. 10 shows a right side view of the receiver.

(Continued)

FIG. 11 shows a left side view of the base unit.

(56) **References Cited**

U.S. PATENT DOCUMENTS

D527,279 S \* 8/2006 Wong ..... D10/15

FIG. 12 shows a right side view of the base unit.

D614,974 S \* 5/2010 Golberg ..... D10/50

FIG. 13 shows a top view of the receiver.

(Continued)

FIG. 14 shows a bottom view of the receiver.

(Continued)

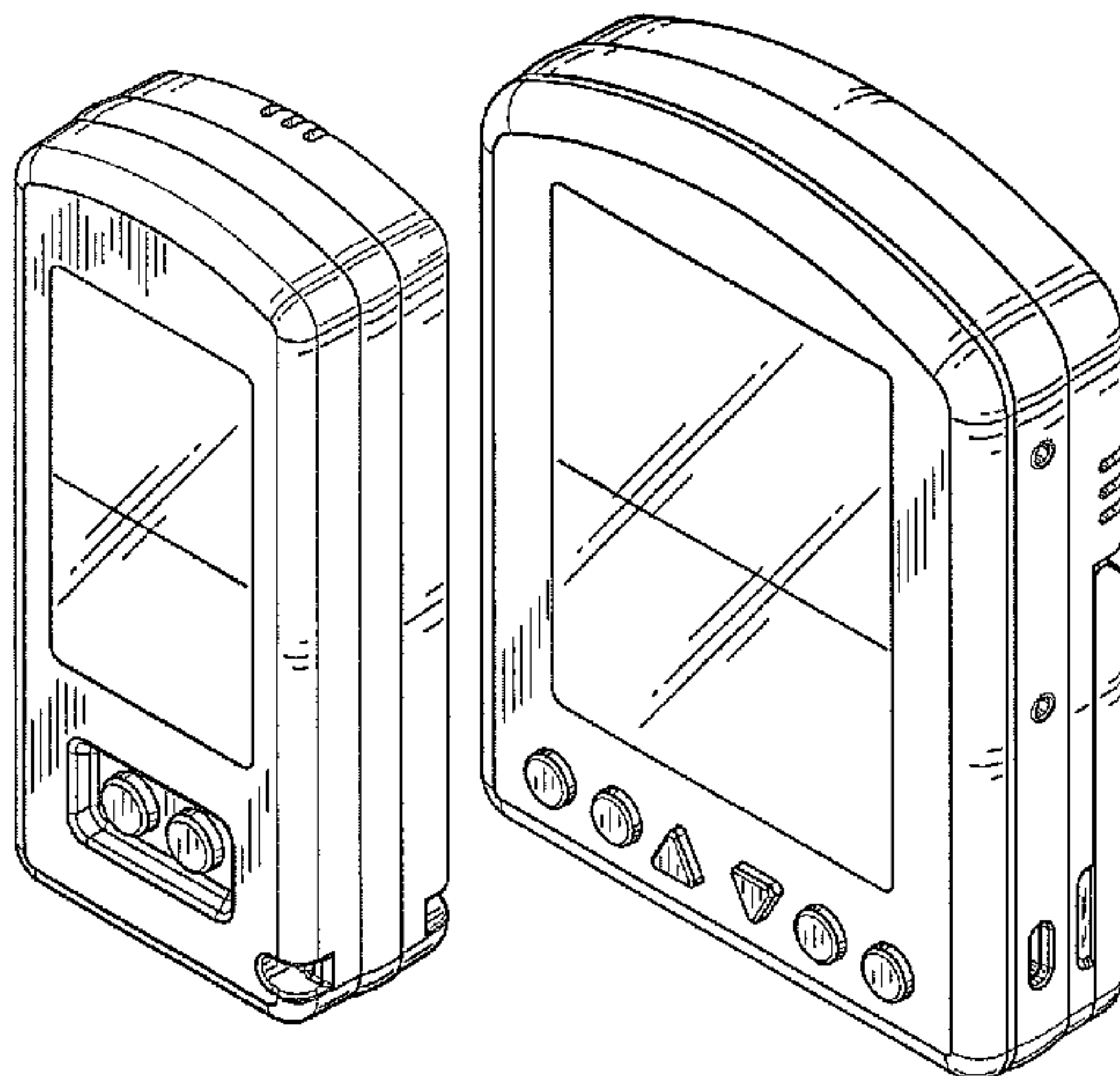


FIG. 15 shows a top view of the base unit; and, FIG. 16 shows a bottom view of the base unit.

1 Claim, 3 Drawing Sheets

(58) Field of Classification Search

CPC .. A41D 19/0027; A61D 13/00; G04B 47/068; G04B 47/008; G04B 47/06; A47J 43/288; A61B 5/01; A61B 5/6817; G07C 1/00; H04W 84/12; G06F 3/04847; G05D 23/1902; G05D 23/1917; F24F 2221/32

See application file for complete search history.

(56) References Cited

U.S. PATENT DOCUMENTS

7,722,248 B1 \* 5/2010 Chapman ..... G01K 1/024 374/155
D670,579 S \* 11/2012 Cooney ..... D10/57
D720,242 S \* 12/2014 Kostecky ..... D10/50
D837,669 S \* 1/2019 Yu ..... D10/57
D847,006 S \* 4/2019 Hu ..... D10/57
D885,215 S \* 5/2020 Dewey ..... D10/78
D891,949 S \* 8/2020 Yi ..... D10/57
D899,277 S \* 10/2020 Wang ..... D10/57

D900,655 S \* 11/2020 Rocholl Gullon ..... D10/78
D921,501 S \* 6/2021 Wang ..... D10/57
2003/0202558 A1\* 10/2003 Chung ..... G01K 1/024 374/155

FOREIGN PATENT DOCUMENTS

CN 306126965 \* 5/2020
CN 306173807 \* 5/2020
CN 306577655 \* 1/2021
CN 306602625 \* 6/2021
EM 004547628-0001 \* 12/2017

OTHER PUBLICATIONS

ThermoPro, TP20 Wireless Remote Digital Cooking Food Meat Thermometer, Date first available May 31, 2016, [online]retrieved Jun. 24, 2021,available from https://www.amazon.com/ThermoPro-Wireless-Digital-Cooking-Thermometer/dp/B01GE77QT0/ref=psdc\_3563990011\_t2\_B088D1K6L6 (Year: 2016).\*
ThermoPro TP17H Meat Thermometer, Date first available Oct. 1, 2018, [online]retrieved Jun. 24, 2021,available from https://www.amazon.com/ThermoPro-Thermometer-Temperature-Backlight-Grilling/dp/B085NSXPG4/ref=sr\_1\_166?crd=27YF9S4CIW1GJ&dchild=1&keywords=food+thermometer&qid=1624485648&srefix=food+the (Year: 2018).\*

\* cited by examiner

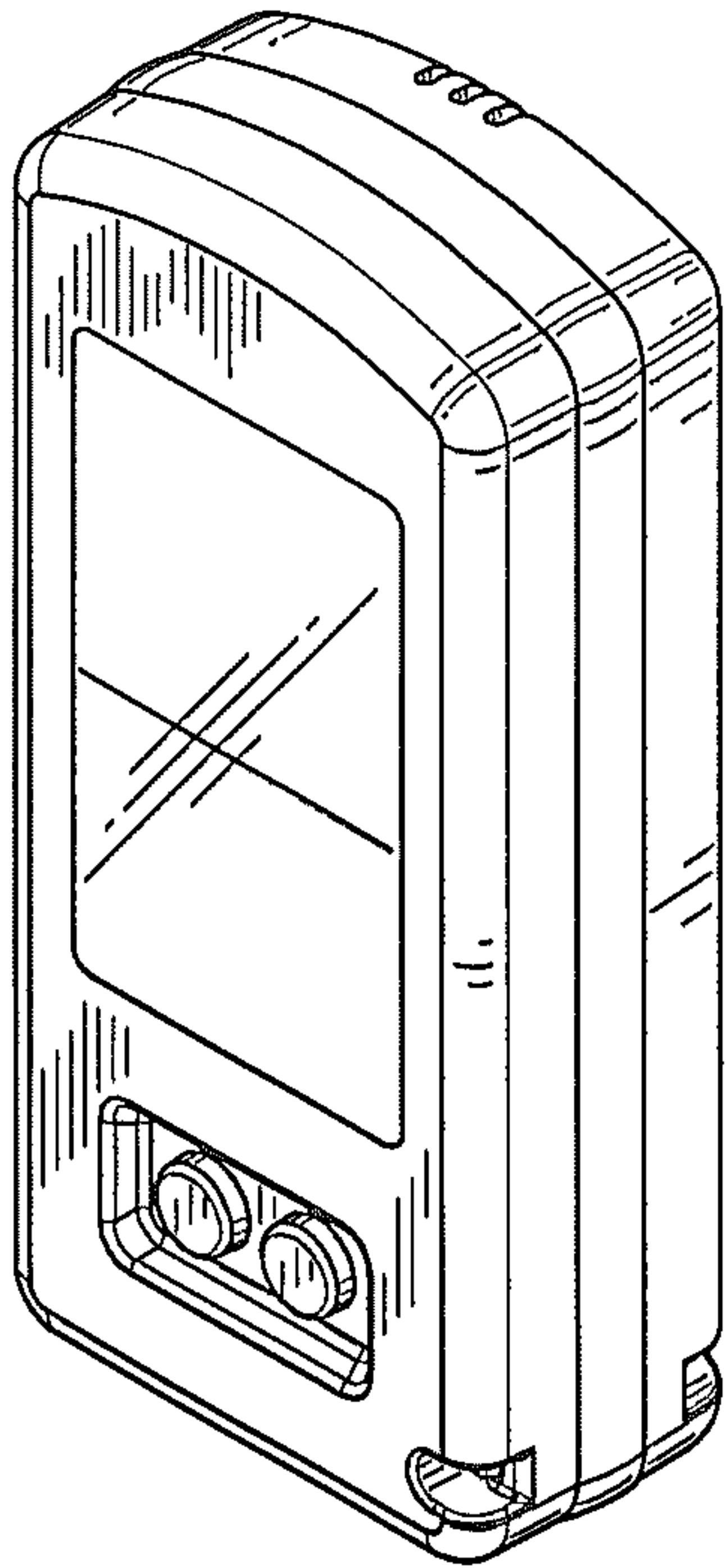


FIG. 1

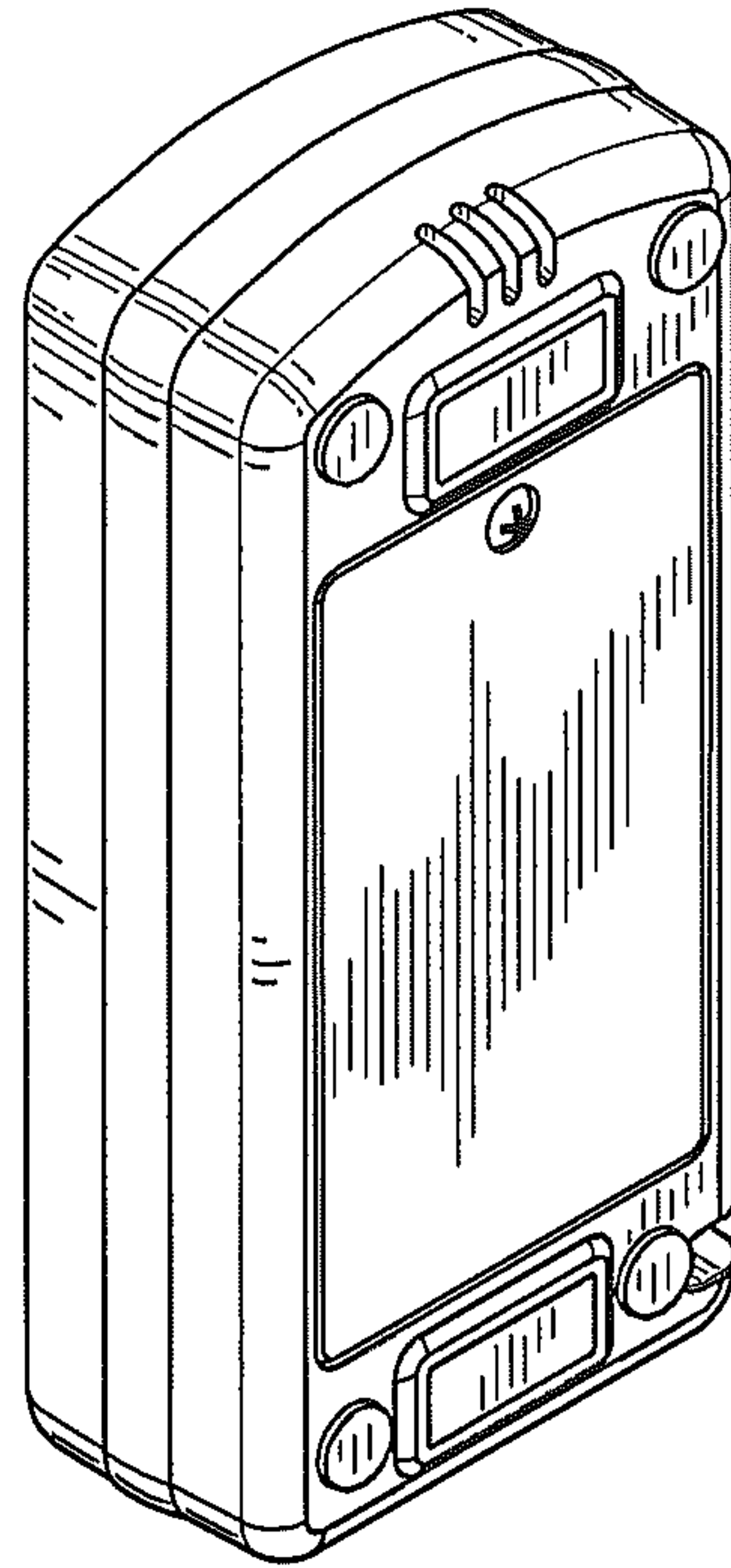


FIG. 2

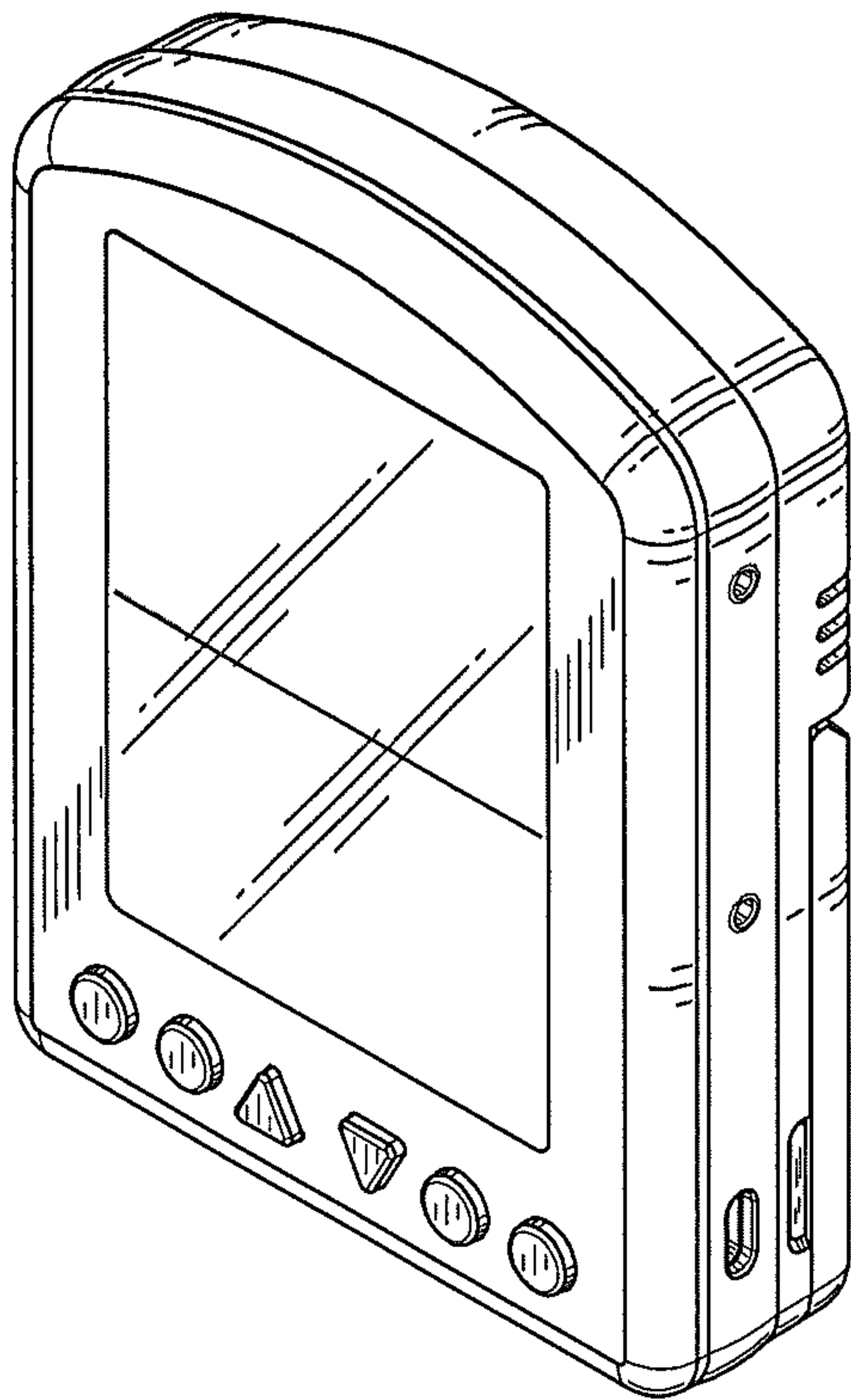


FIG. 3

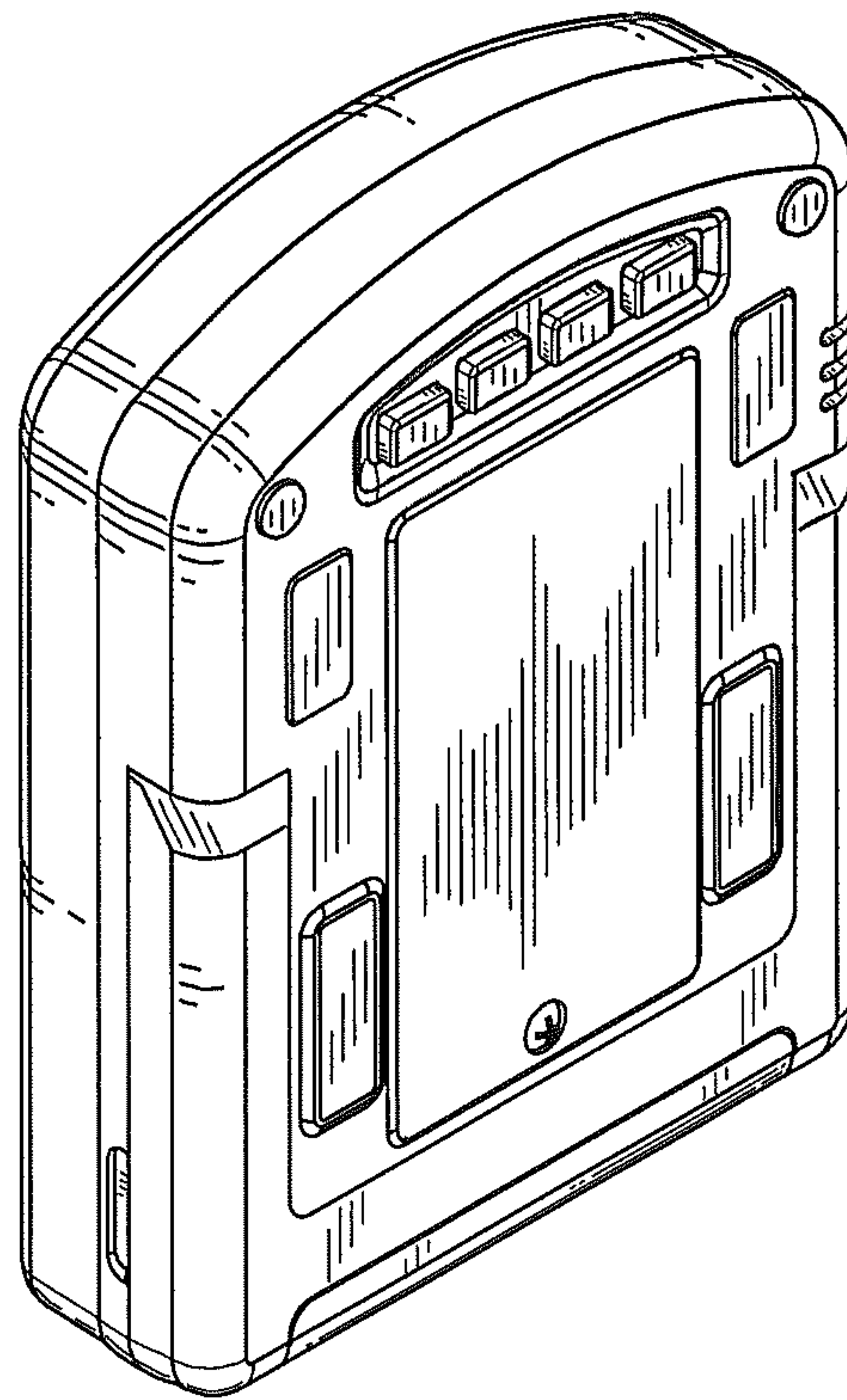


FIG. 4



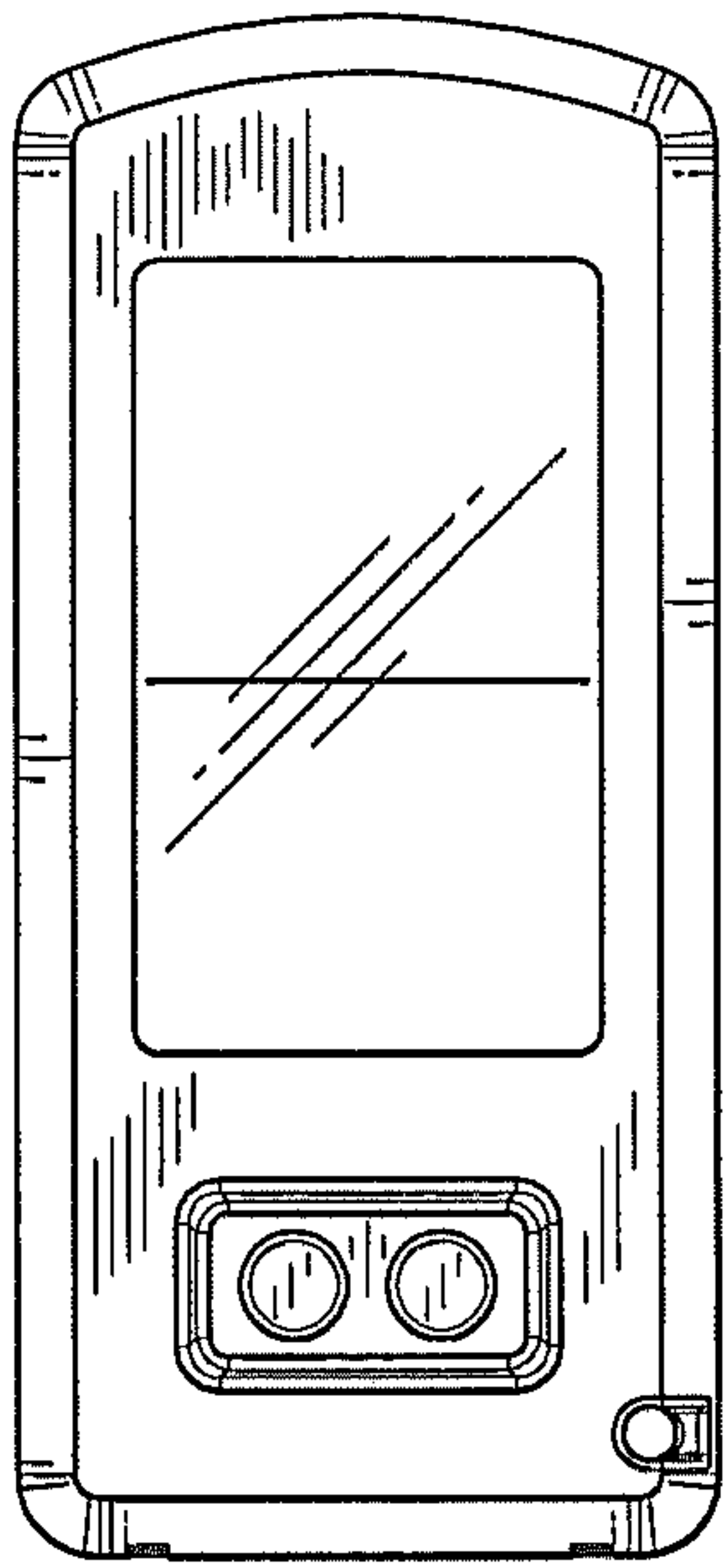


FIG. 5

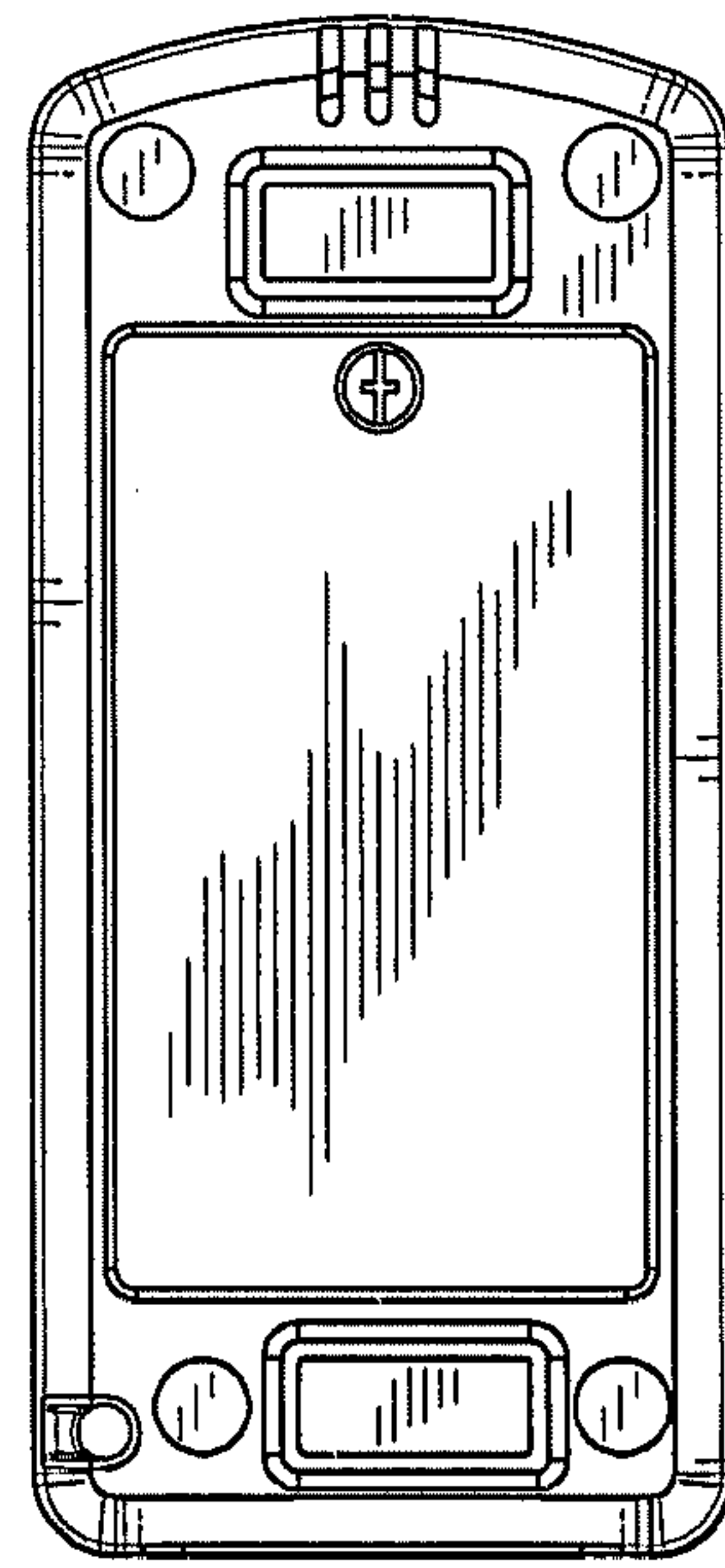


FIG. 6

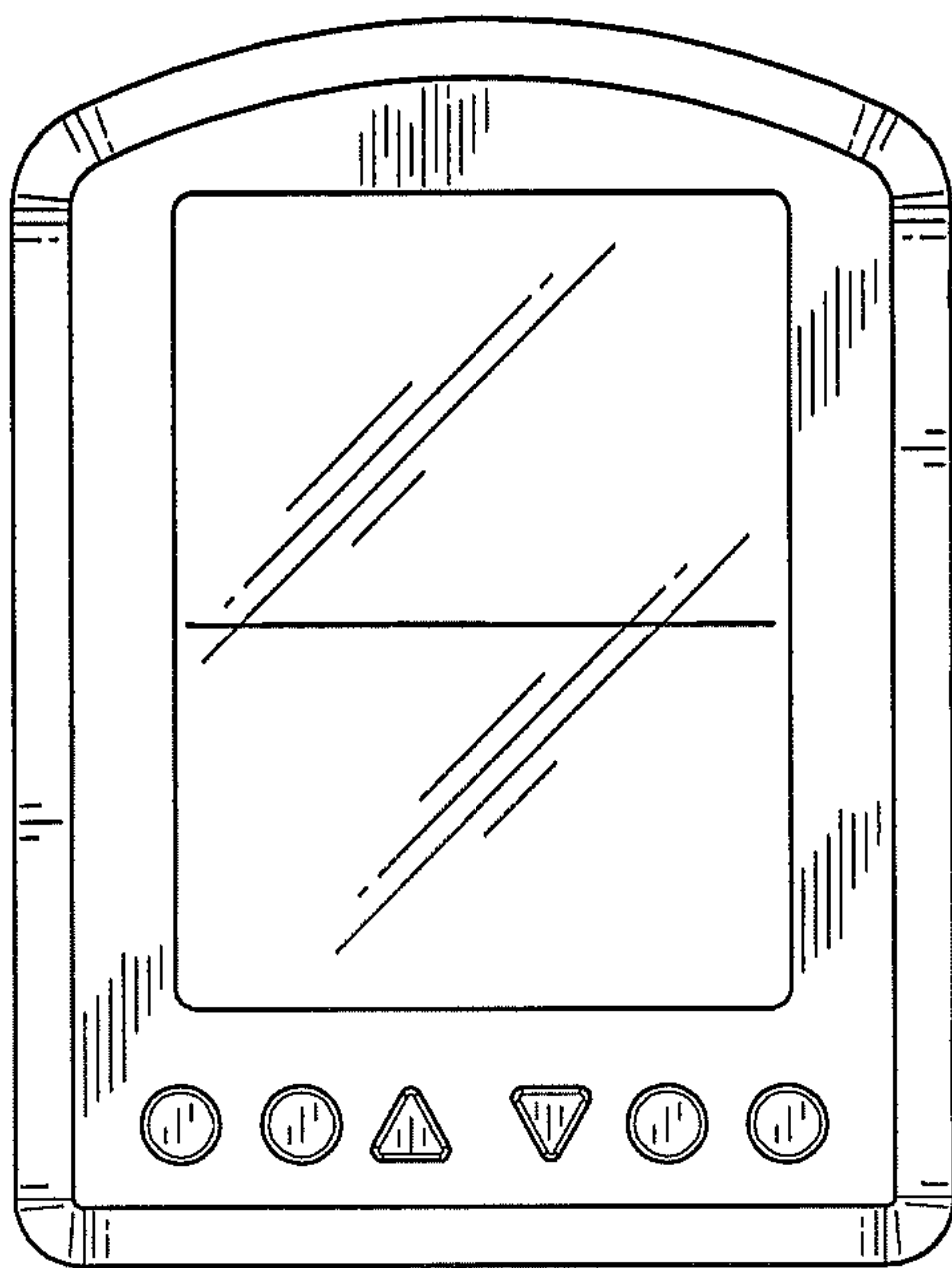


FIG. 7

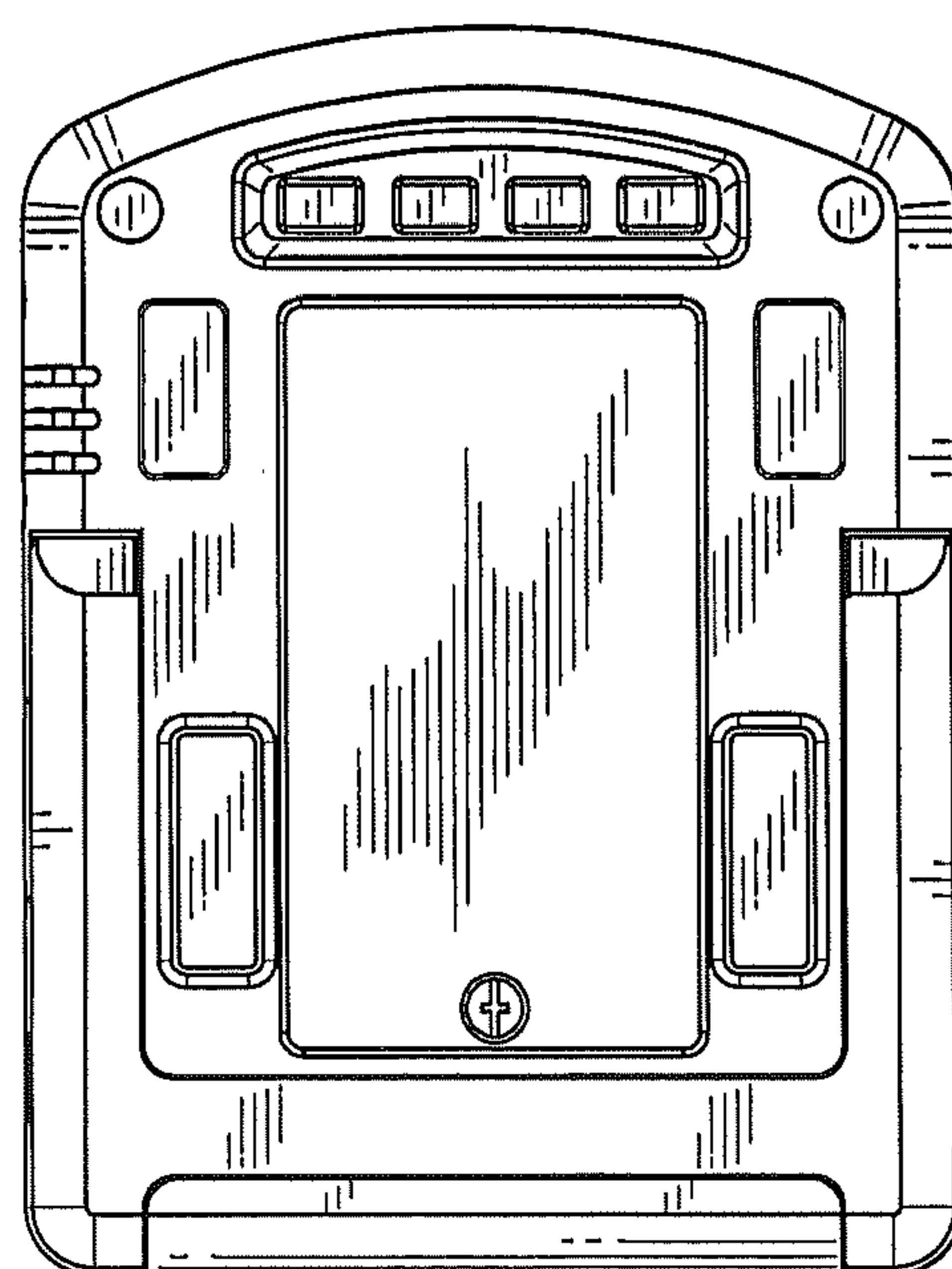


FIG. 8

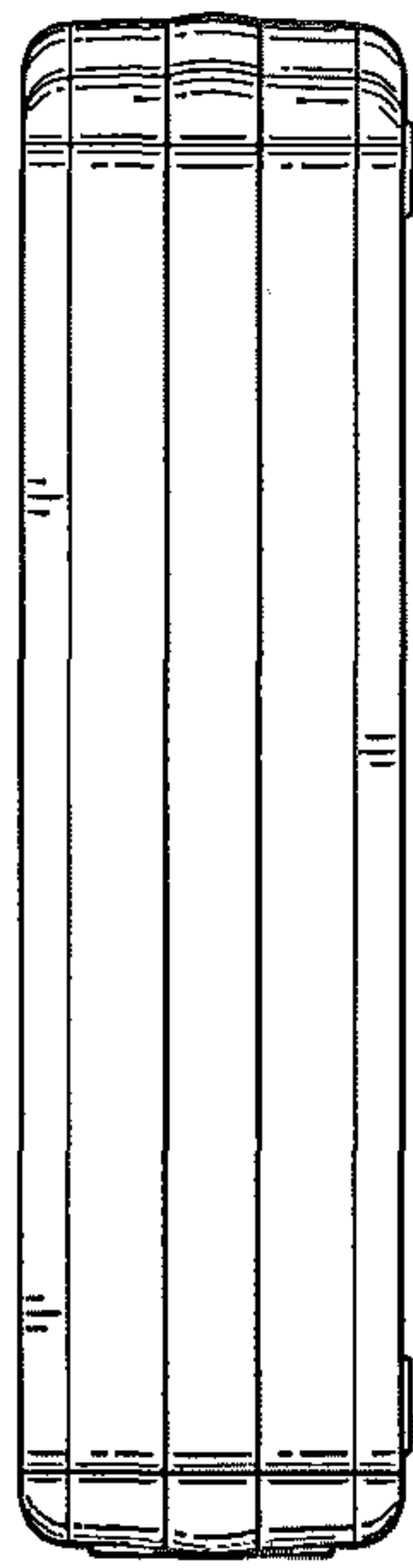


FIG. 9

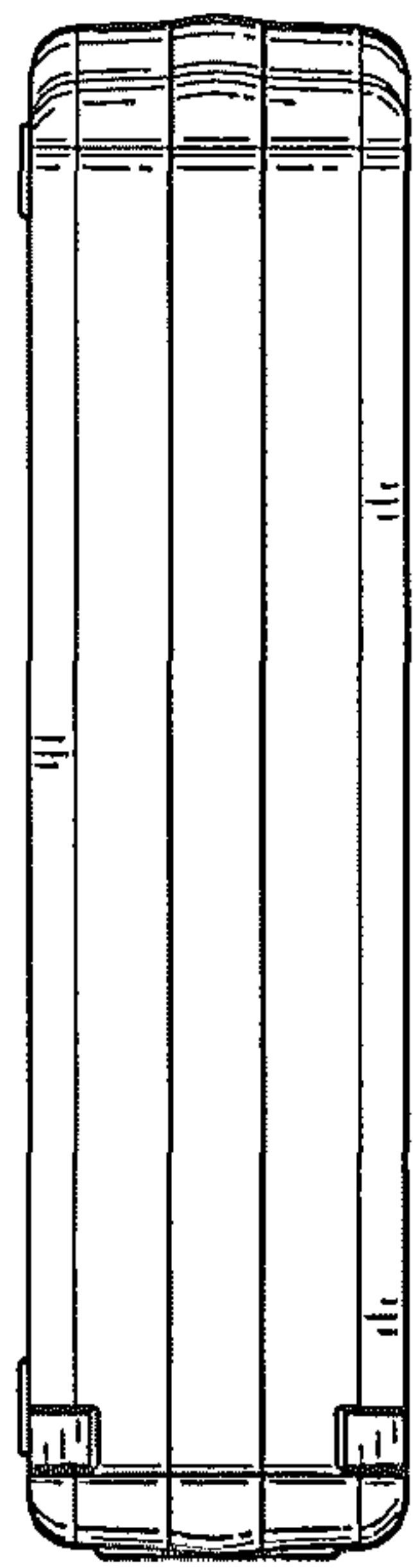


FIG. 10

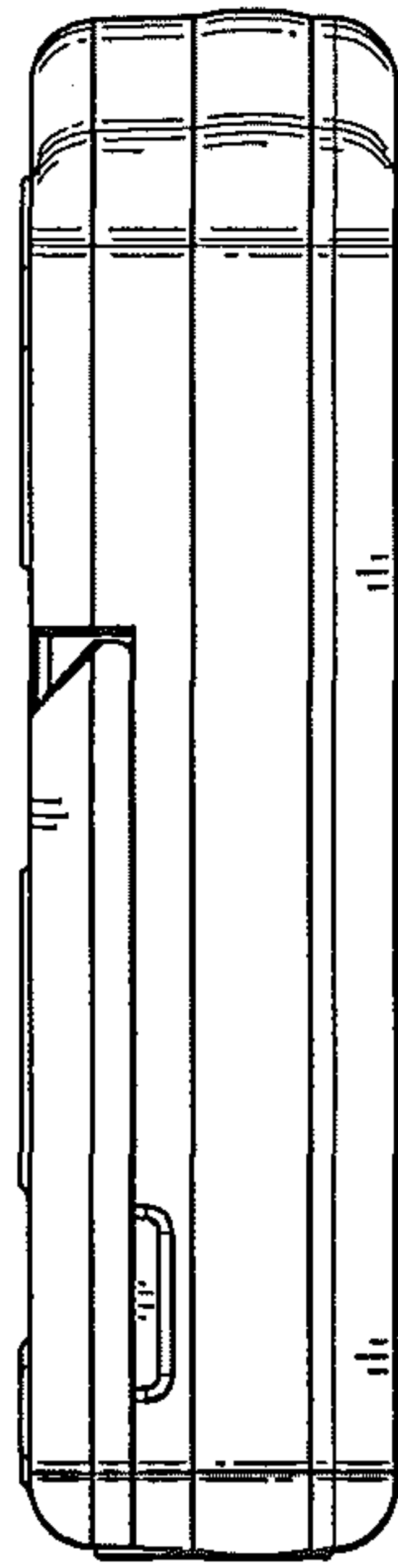


FIG. 11

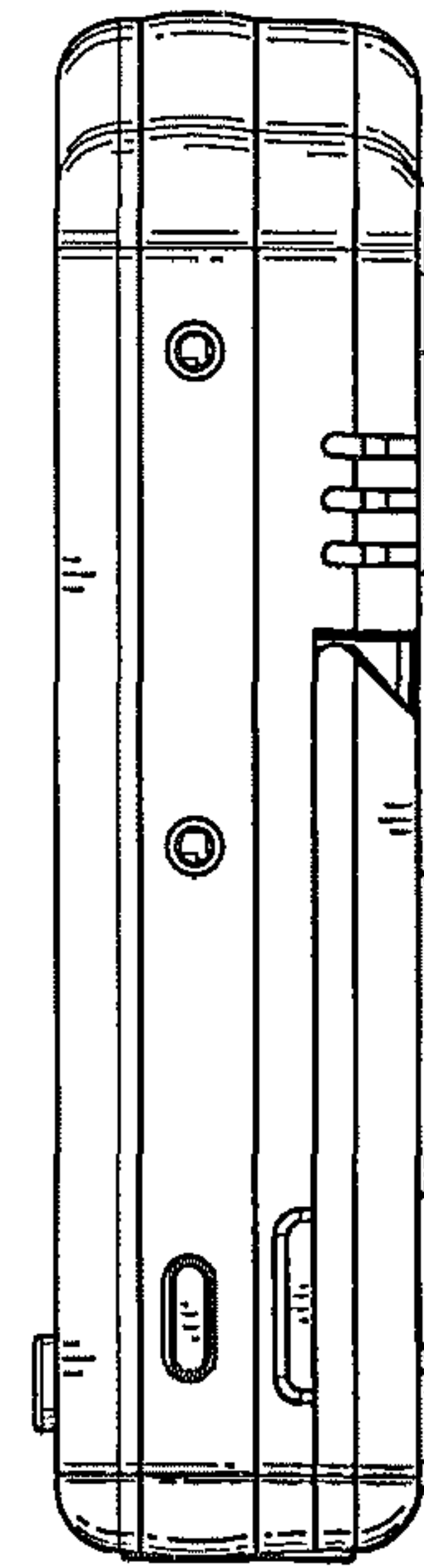


FIG. 12

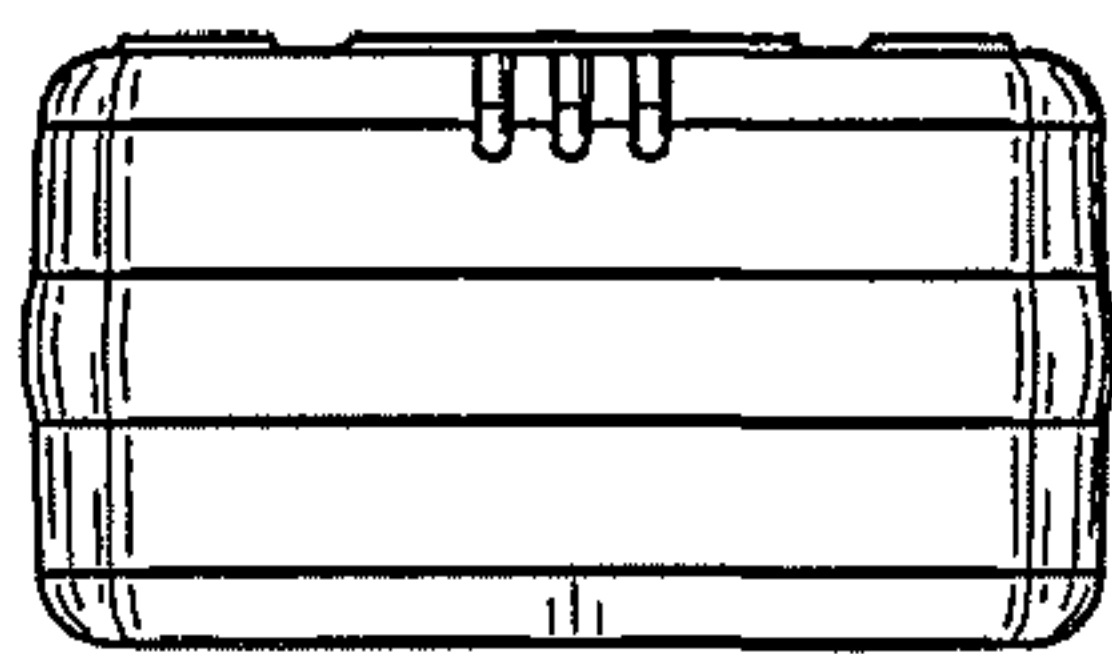


FIG. 13

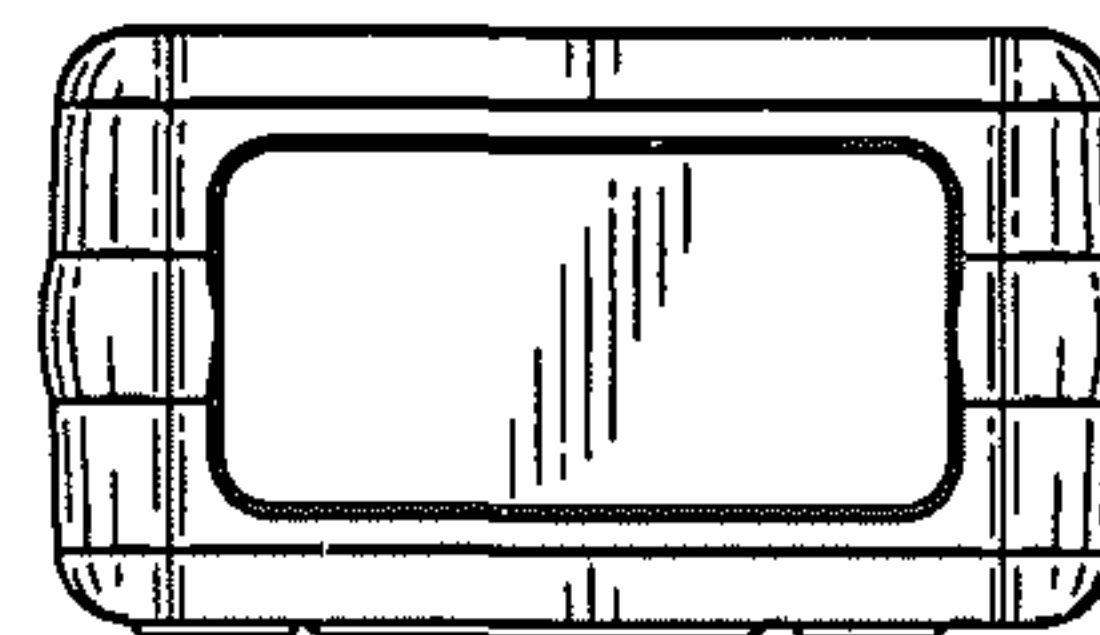


FIG. 14

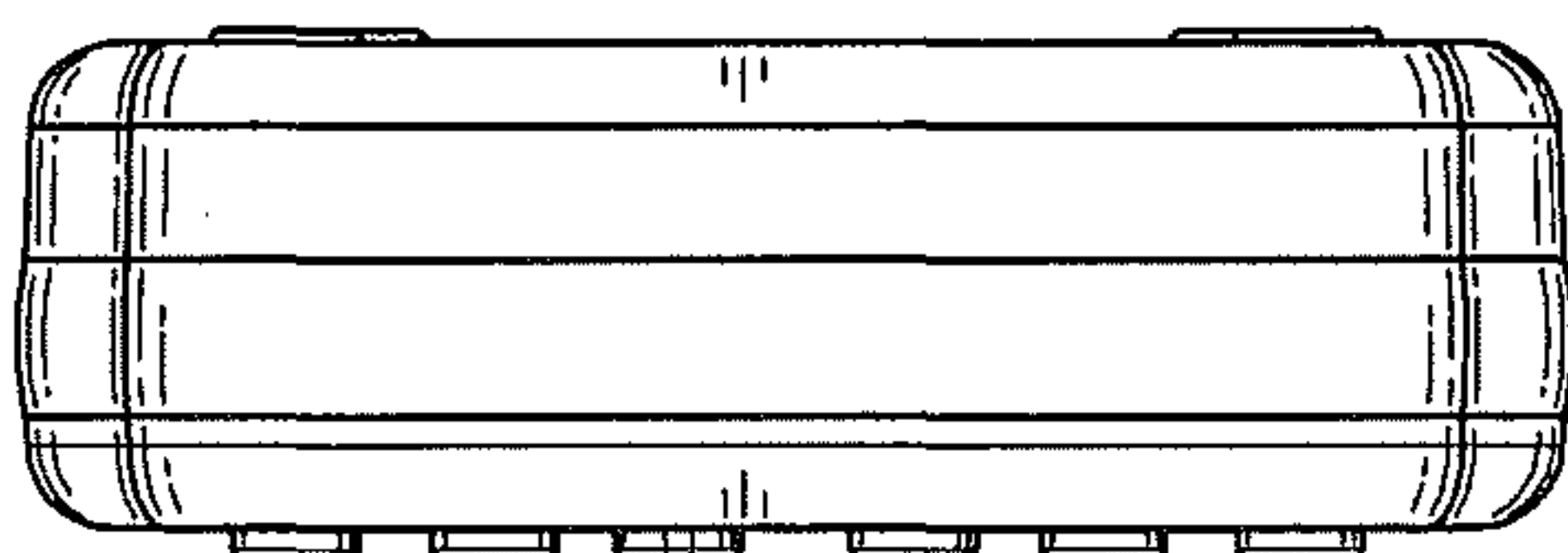


FIG. 15

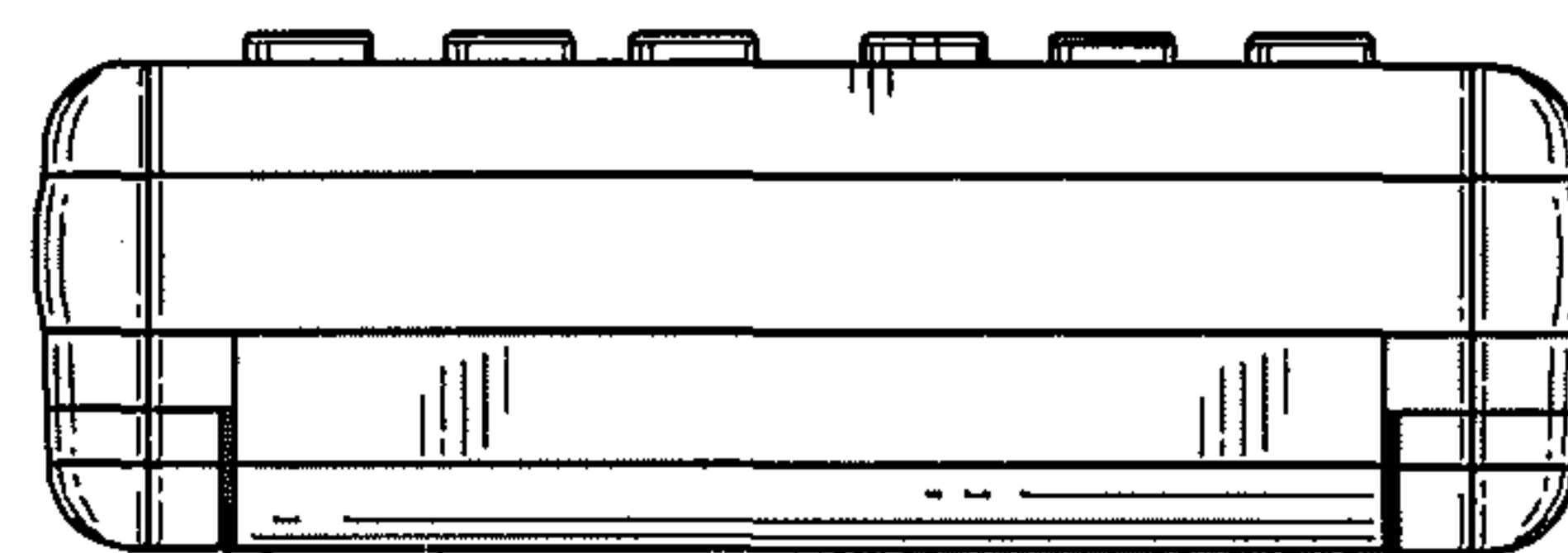


FIG. 16