



US00D968972S

(12) **United States Design Patent** (10) **Patent No.:** **US D968,972 S**  
**Owen** (45) **Date of Patent:** **\*\* \*Nov. 8, 2022**

- (54) **PAIRED BASE UNIT AND RECEIVER FOR WIRELESS THERMOMETER**
- (71) Applicant: **ThermoWorks Inc.**, American Fork, UT (US)
- (72) Inventor: **Kevin Owen**, Saratoga Springs, UT (US)
- (\* ) Notice: This patent is subject to a terminal disclaimer.
- (\*\*) Term: **15 Years**
- (21) Appl. No.: **29/726,160**
- (22) Filed: **Feb. 28, 2020**
- (51) **LOC (13) Cl.** ..... **10-04**
- (52) **U.S. Cl.**  
USPC ..... **D10/52; D10/57**
- (58) **Field of Classification Search**  
USPC ..... D10/46, 49-60, 81  
CPC .. H04N 5/332; H04N 5/3651; H04N 21/2143; H04N 21/42221; H04N 21/4516; H04N 21/4343; H04N 21/43637; G01J 5/0265; G01J 5/021; G01J 5/048; G01J 5/028; G01J 5/0011; G01K 1/024; G01K 2207/06; G01K 1/00; G01K 1/02; G01K 7/18; G01K 9/00; G01K 1/026; G01K 2207/02; G01K 7/427; G01K 15/00; G01K 1/086; G01K 2207/00; A61F 2007/0096;

(Continued)

(56) **References Cited**

**U.S. PATENT DOCUMENTS**

- D527,279 S \* 8/2006 Wong ..... D10/15
- D614,974 S \* 5/2010 Golberg ..... D10/50

(Continued)

**FOREIGN PATENT DOCUMENTS**

- CN 304144513 \* 12/2016
- CN 305254493 \* 3/2019

(Continued)

**OTHER PUBLICATIONS**

ThermoPro, TP-16S Digital Meat Thermometer, Date first available Jan. 2, 2019, [online]retrieved Jun. 23, 2021,available from https://www.amazon.com/dp/B07MF18JHT?pd\_rd\_i=B07MF18JHT&pd\_rd\_w=yhZ248pf\_rd\_p=3465d0d7-4e28-4692-b633-326c458deaa4&pd\_rd\_wg=FfnFJ&pf\_rd\_r=ZQHEHH03N26DQ7HR26VH&pd\_rd\_r=c20f52b7-44 (Year: 2019).\*

(Continued)

*Primary Examiner* — Keli L Hill

*Assistant Examiner* — Sara S Sahneh

(74) *Attorney, Agent, or Firm* — S. Brandon Owen

(57) **CLAIM**

The ornamental design for a paired base unit and receiver for wireless thermometer, as shown and described.

**DESCRIPTION**

FIG. 1 shows a perspective view of the front side of the receiver.

FIG. 2 shows a perspective view of the back side of the receiver.

FIG. 3 shows a perspective view of the front side of the base unit.

FIG. 4 shows a perspective view of the back side of the base unit.

FIG. 5 shows a front view of the receiver.

FIG. 6 shows a back view of the receiver.

FIG. 7 shows a front view of the base unit.

FIG. 8 shows a back view of the base unit.

FIG. 9 shows a left side view of the receiver.

FIG. 10 shows a right side view of the receiver.

FIG. 11 shows a left side view of the base unit.

FIG. 12 shows a right side view of the base unit.

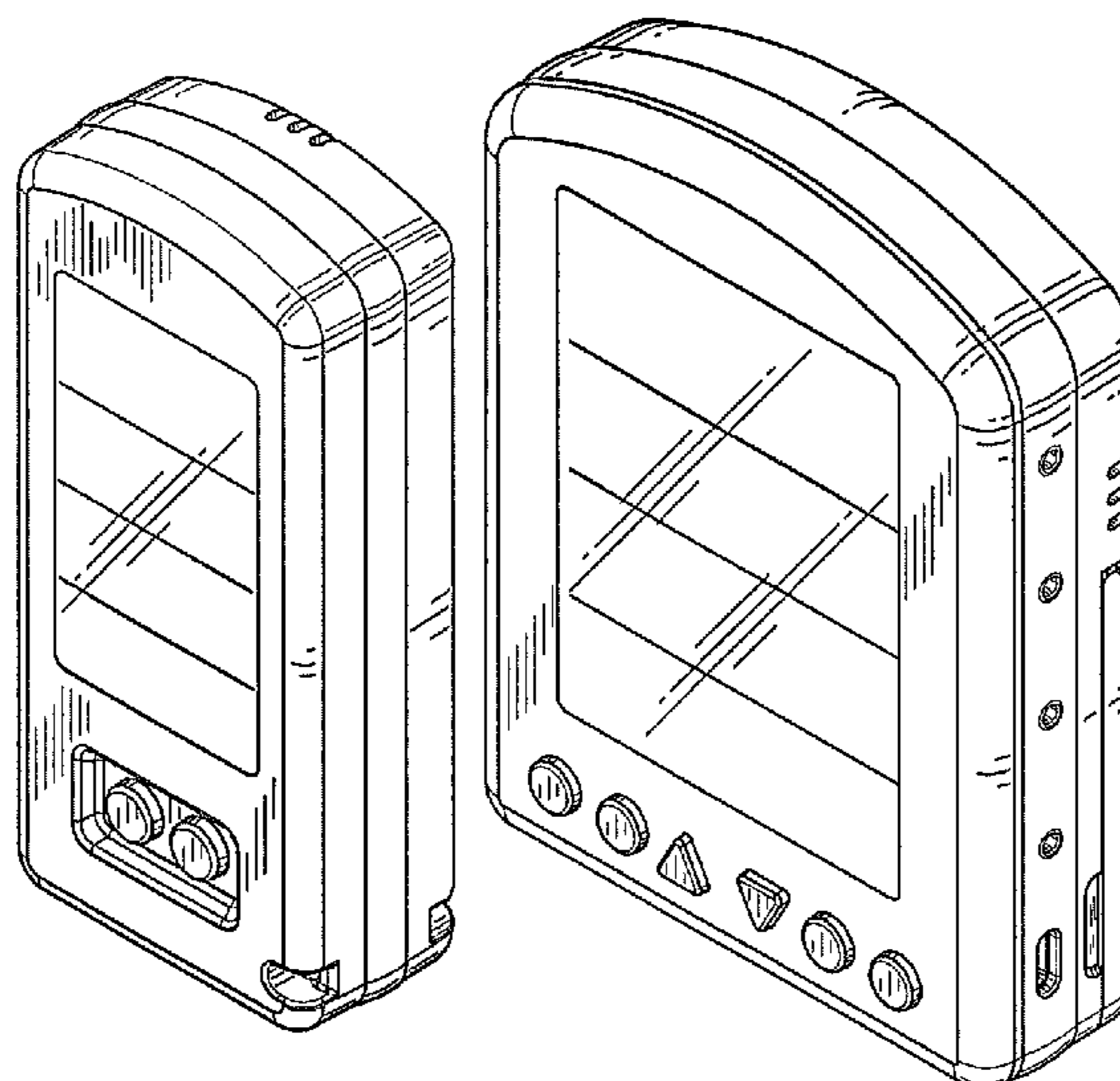
FIG. 13 shows a top view of the receiver.

FIG. 14 shows a bottom view of the receiver.

FIG. 15 shows a top view of the base unit; and,

FIG. 16 shows a bottom view of the base unit.

**1 Claim, 3 Drawing Sheets**



(58) **Field of Classification Search**

CPC .. A41D 19/0027; A61D 13/00; G04B 47/068;  
 G04B 47/008; G04B 47/06; A47J 43/288;  
 A61B 5/01; A61B 5/6817; G07C 1/00;  
 H04W 84/12; G06F 3/04847; G05D  
 23/1902; G05D 23/1917; F24F 2221/32

See application file for complete search history.

FOREIGN PATENT DOCUMENTS

CN	306173807	*	5/2020
CN	306126965	*	10/2020
CN	306577655	*	1/2021
CN	306602625	*	1/2021
EM	004547628-0001	*	12/2017

(56) **References Cited**

U.S. PATENT DOCUMENTS

7,722,248	B1	*	5/2010	Chapman	.....	G01K 1/024	374/155
D670,579	S	*	11/2012	Cooney	.....	D10/57	
D720,242	S	*	12/2014	Kostecky	.....	D10/50	
D837,669	S	*	1/2019	Yu	.....	D10/57	
D847,006	S	*	4/2019	Hu	.....	D10/57	
D885,215	S	*	5/2020	Dewey	.....	D10/78	
D891,949	S	*	8/2020	Yi	.....	D10/57	
D899,277	S	*	10/2020	Wang	.....	D10/57	
D900,655	S	*	11/2020	Rocholl Gullon	.....	D10/78	
D921,501	S	*	6/2021	Wang	.....	D10/57	
2003/0202558	A1	*	10/2003	Chung	.....	G01K 1/024	374/155

OTHER PUBLICATIONS

ThermoPro, TP20 Wireless Remote Digital Cooking Food Meat Thermometer, Date first available May 31, 2016, [online]retrieved Jun. 24, 2021,available from [https://www.amazon.com/ThermoPro-Wireless-Digital-Cooking-Thermometer/dp/B01GE77QT0/ref=psdc\\_3563990011\\_t2\\_B088D1K6L6](https://www.amazon.com/ThermoPro-Wireless-Digital-Cooking-Thermometer/dp/B01GE77QT0/ref=psdc_3563990011_t2_B088D1K6L6) (Year: 2016).\*

ThermoPro TP17H Meat Thermometer, Date first available Oct. 1, 2018, [online]retrieved Jun. 24, 2021,available from [https://www.amazon.com/ThermoPro-Thermometer-Temperature-Backlight-Grilling/dp/B085NSXPG4/ref=sr\\_1\\_166?crd=27YF9S4CIW1GJ&dchild=1&keywords=food+thermometer&qid=1624485648&srefix=food+the](https://www.amazon.com/ThermoPro-Thermometer-Temperature-Backlight-Grilling/dp/B085NSXPG4/ref=sr_1_166?crd=27YF9S4CIW1GJ&dchild=1&keywords=food+thermometer&qid=1624485648&srefix=food+the) (Year: 2018).\*

\* cited by examiner

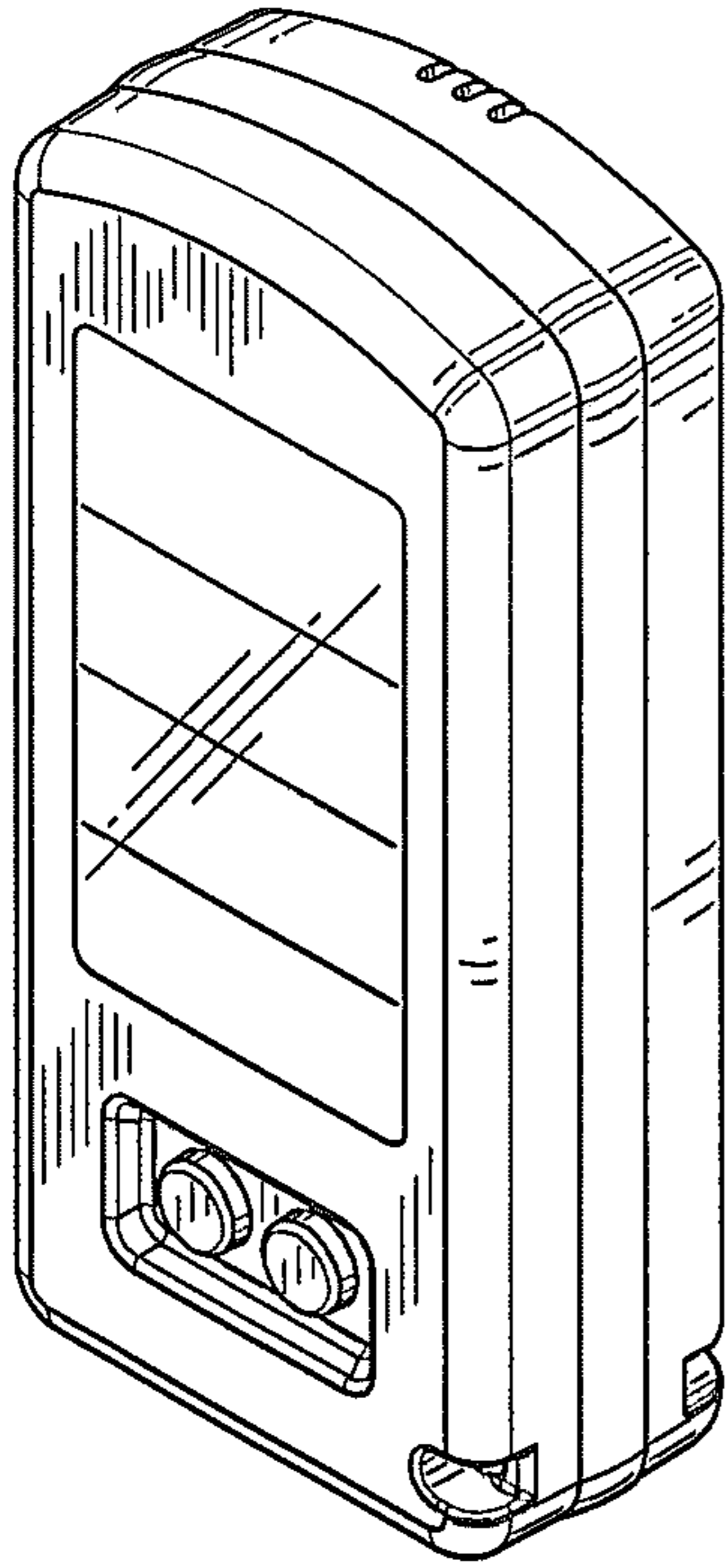


FIG. 1

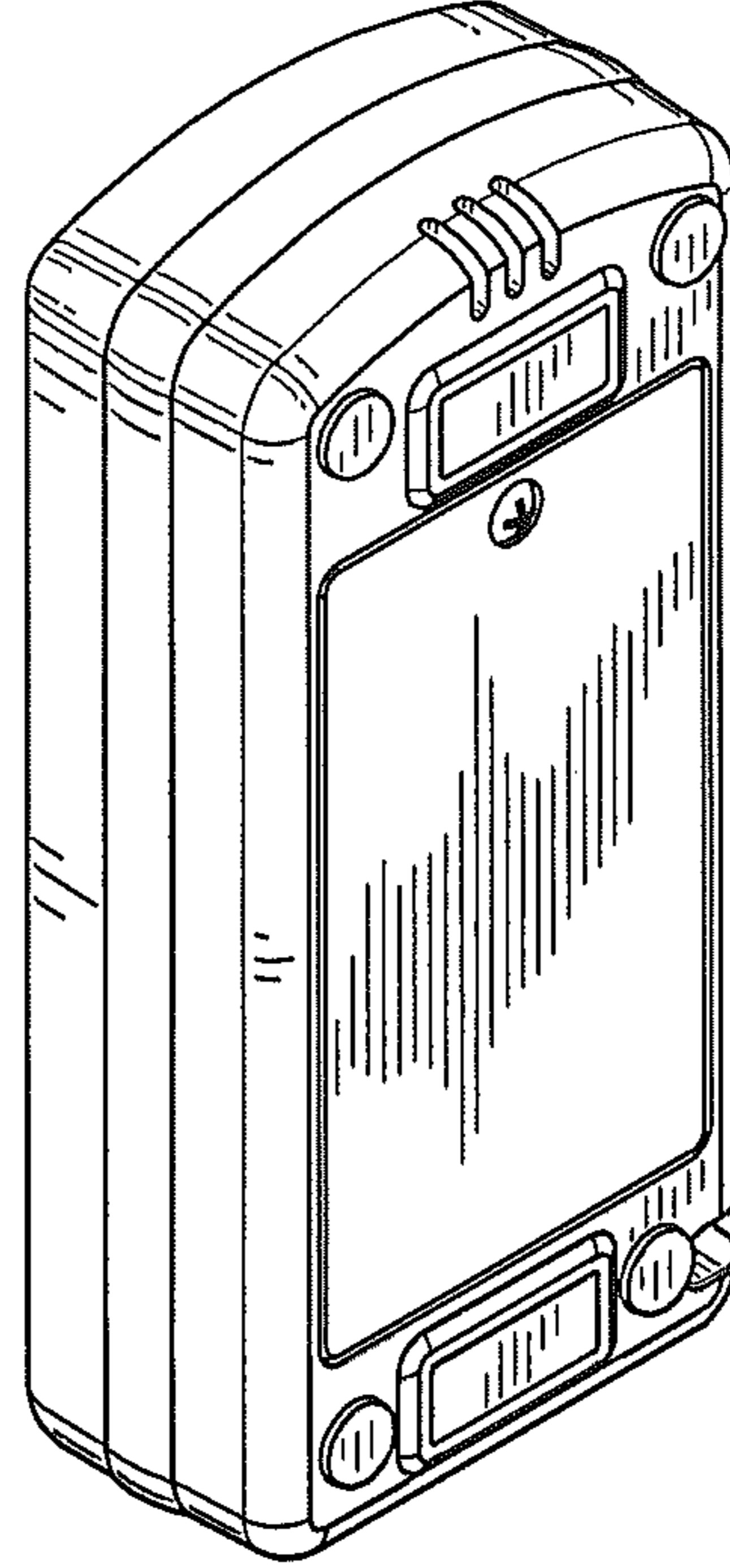


FIG. 2

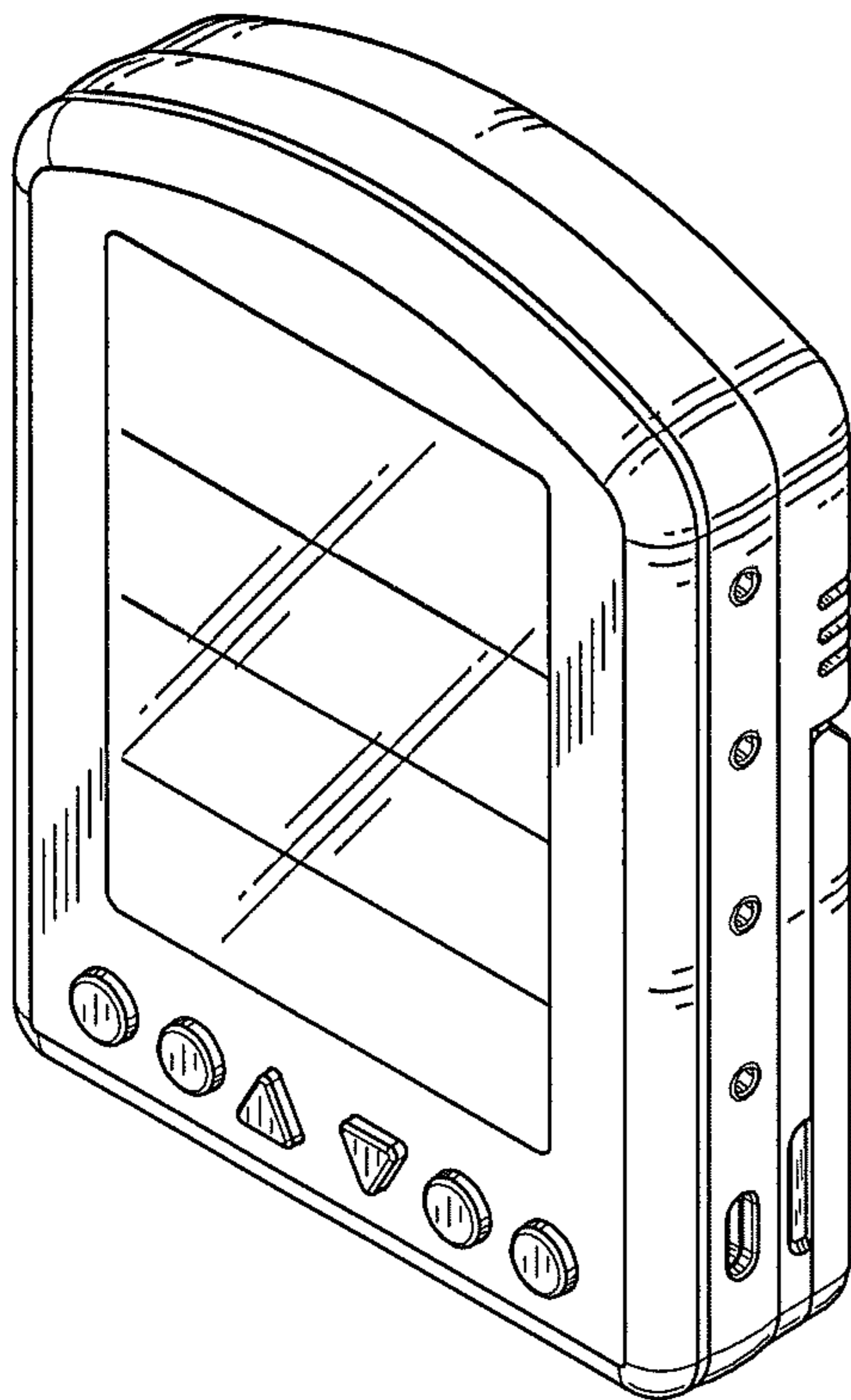


FIG. 3

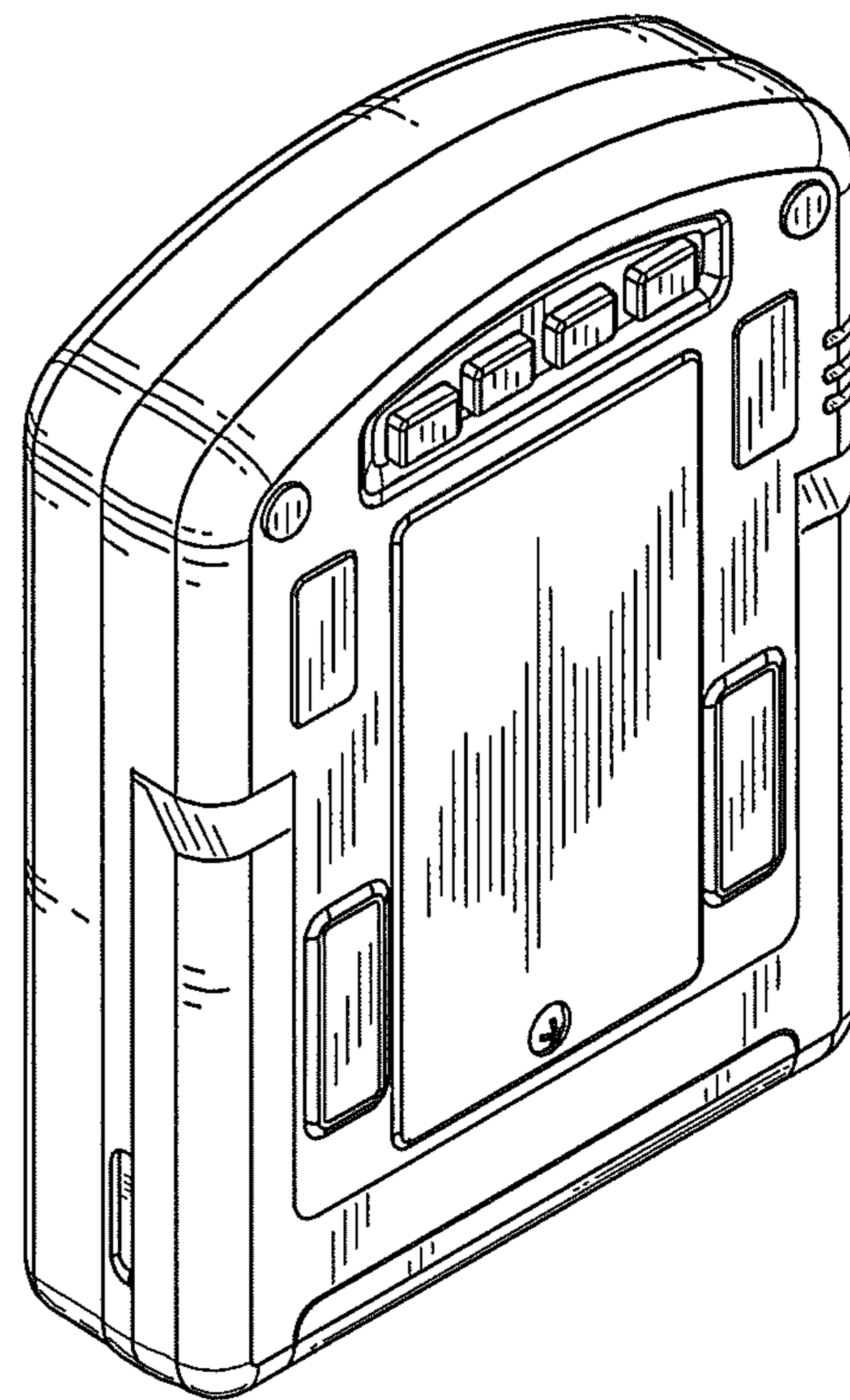


FIG. 4

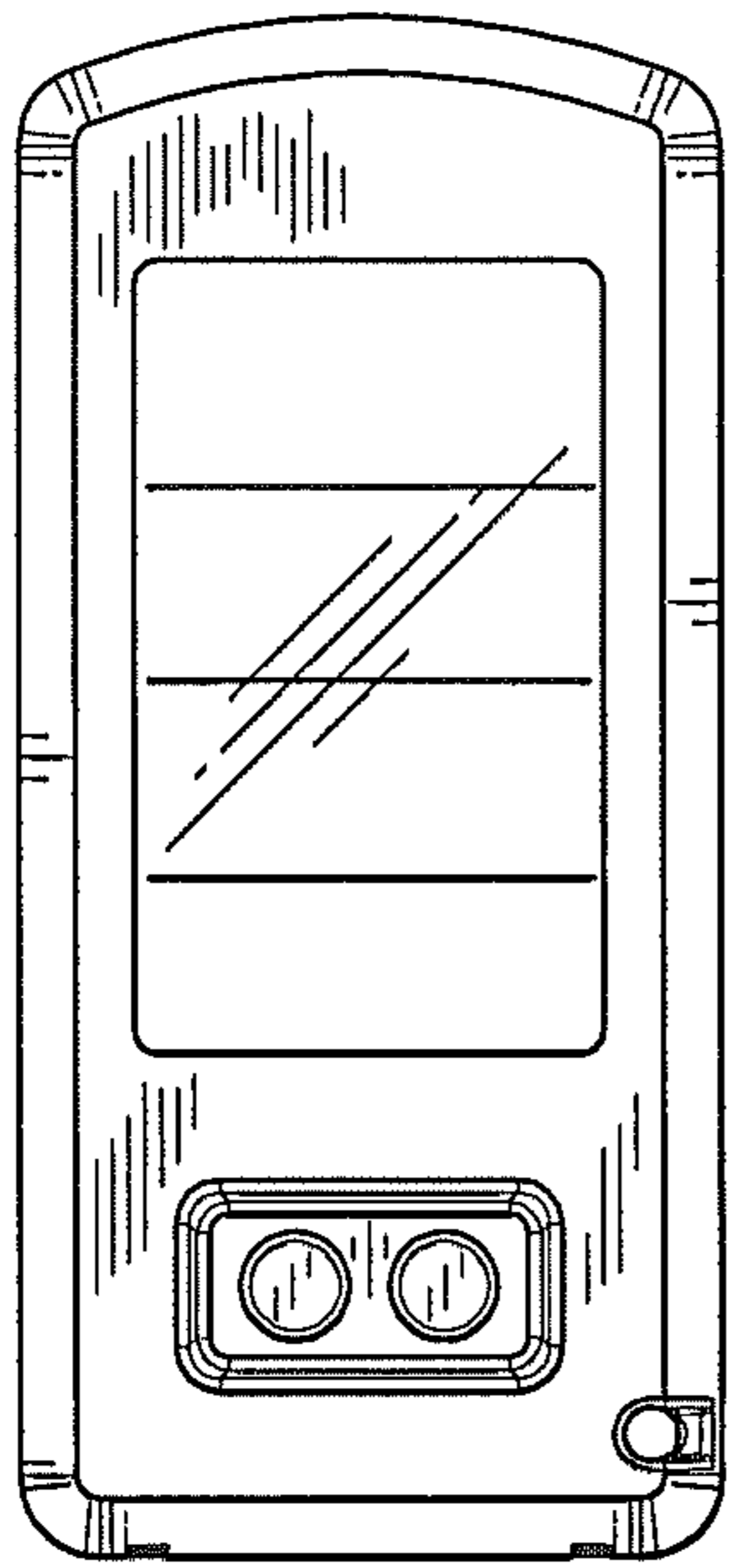


FIG. 5

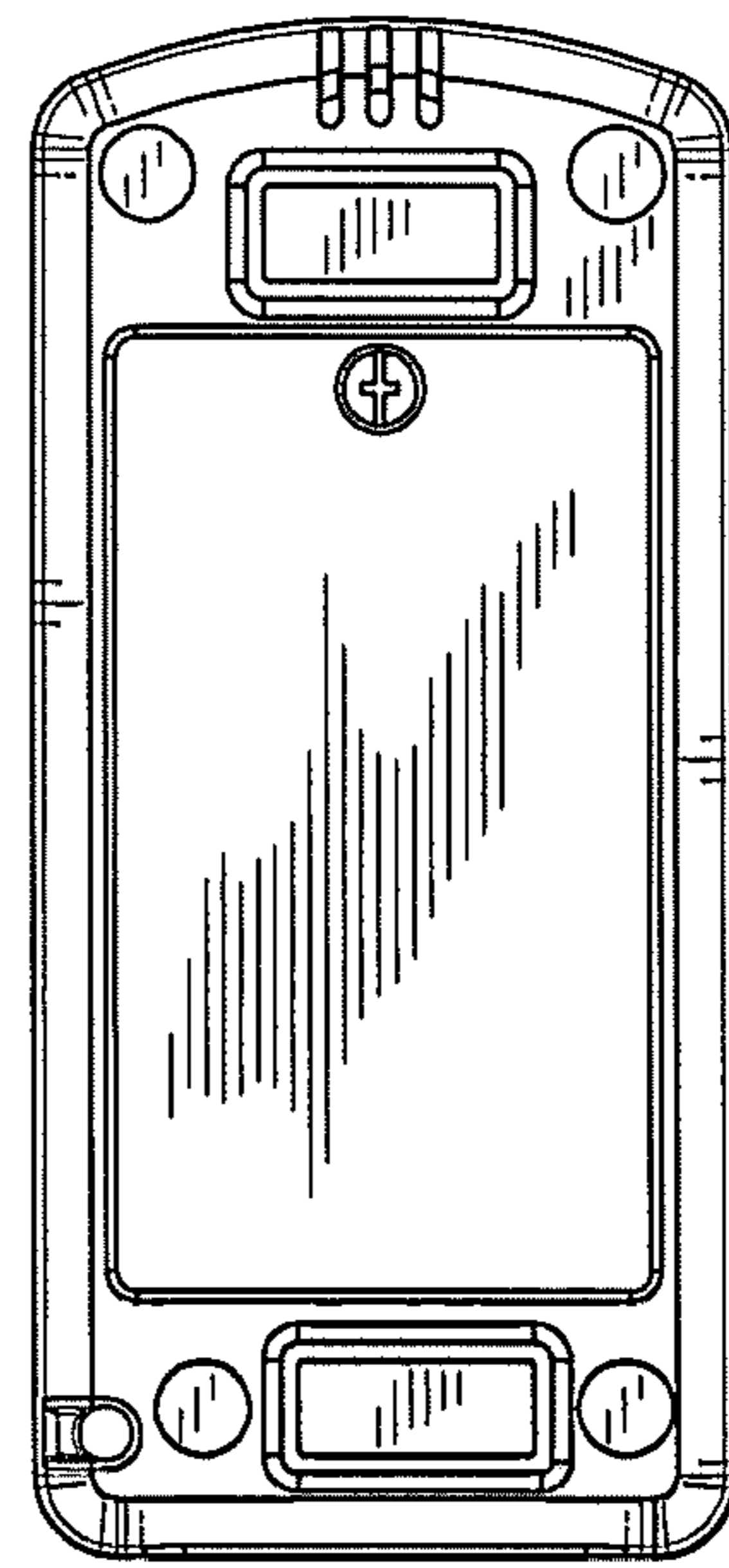


FIG. 6

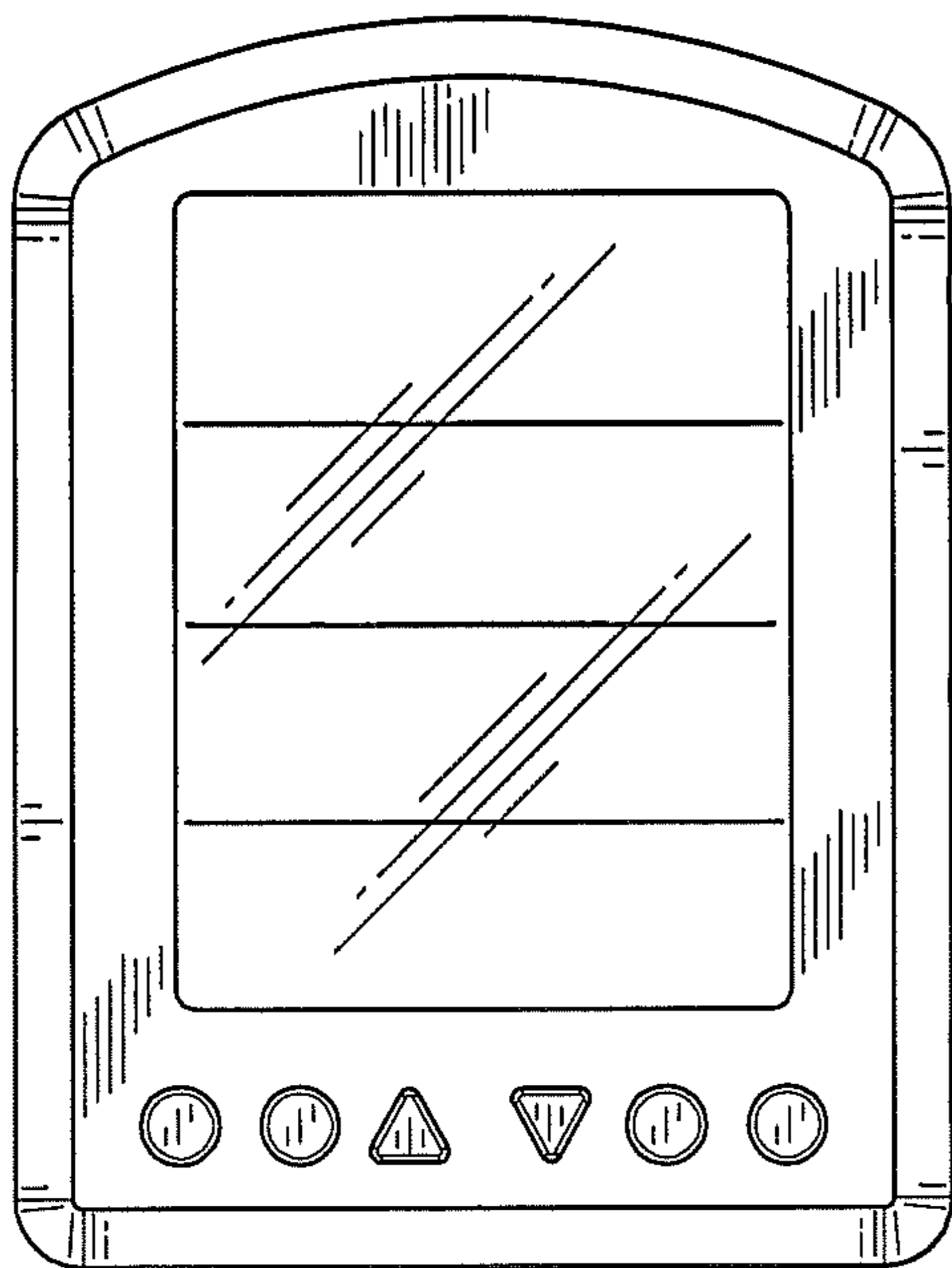


FIG. 7

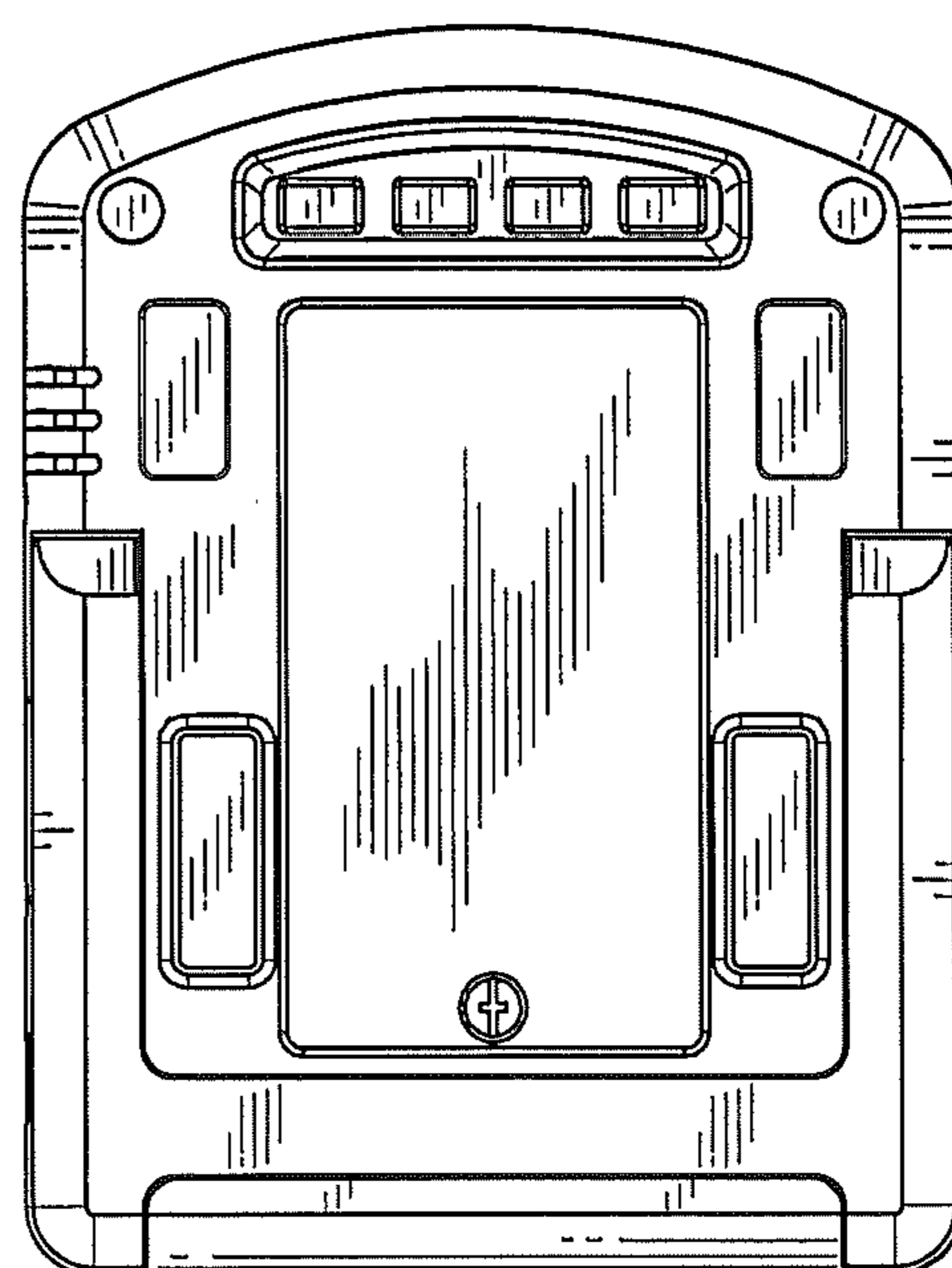


FIG. 8

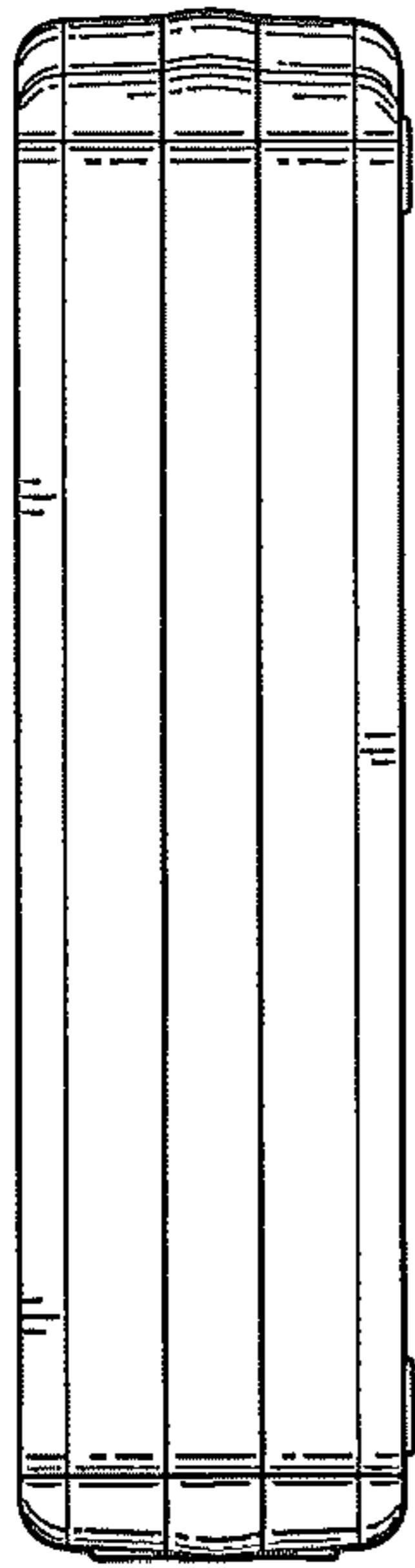


FIG. 9

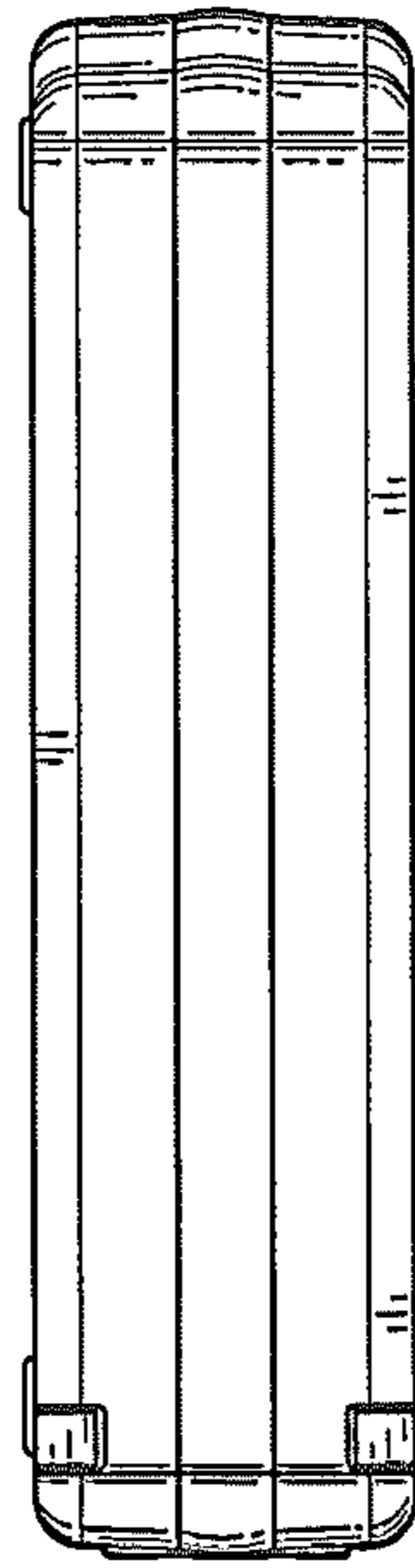


FIG. 10

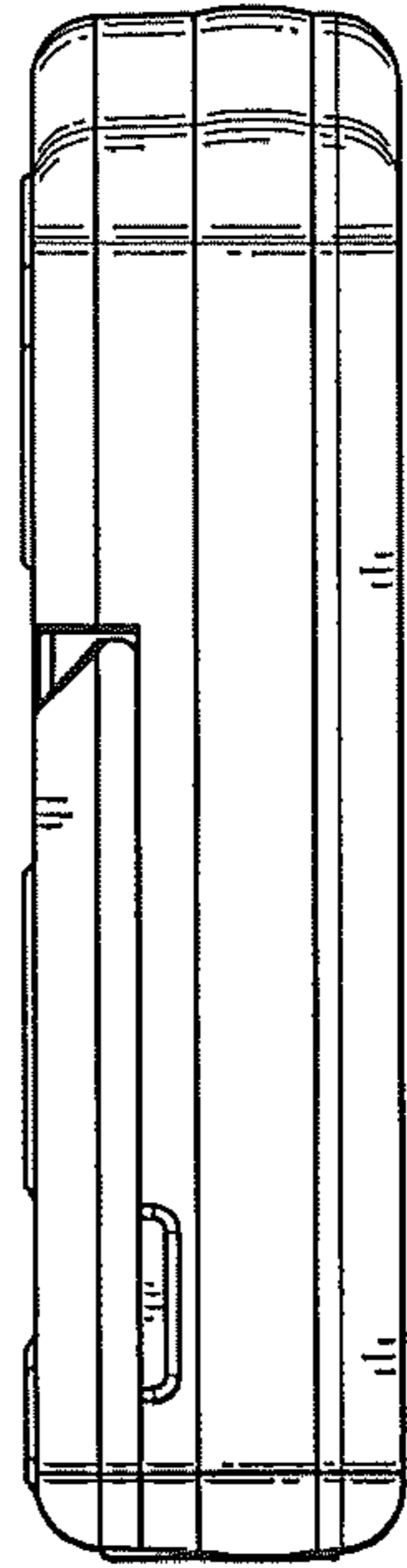


FIG. 11

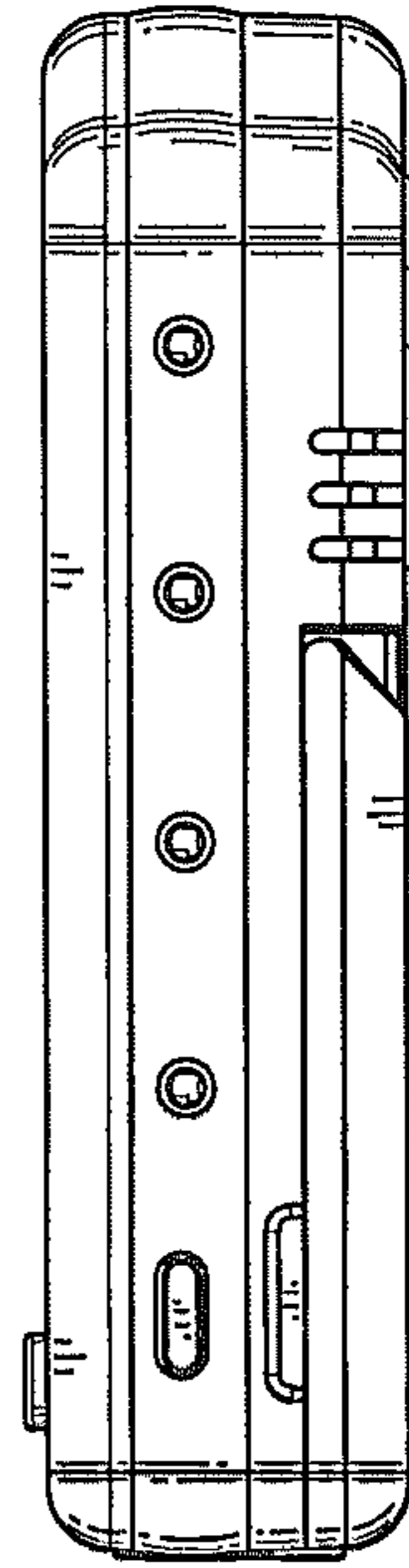


FIG. 12

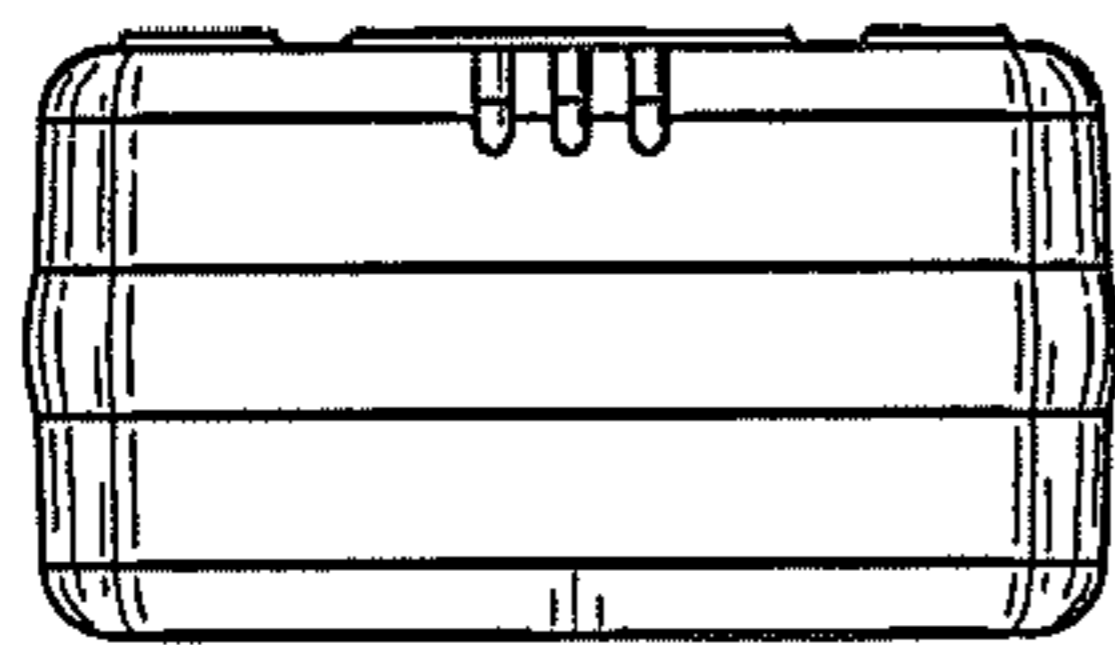


FIG. 13

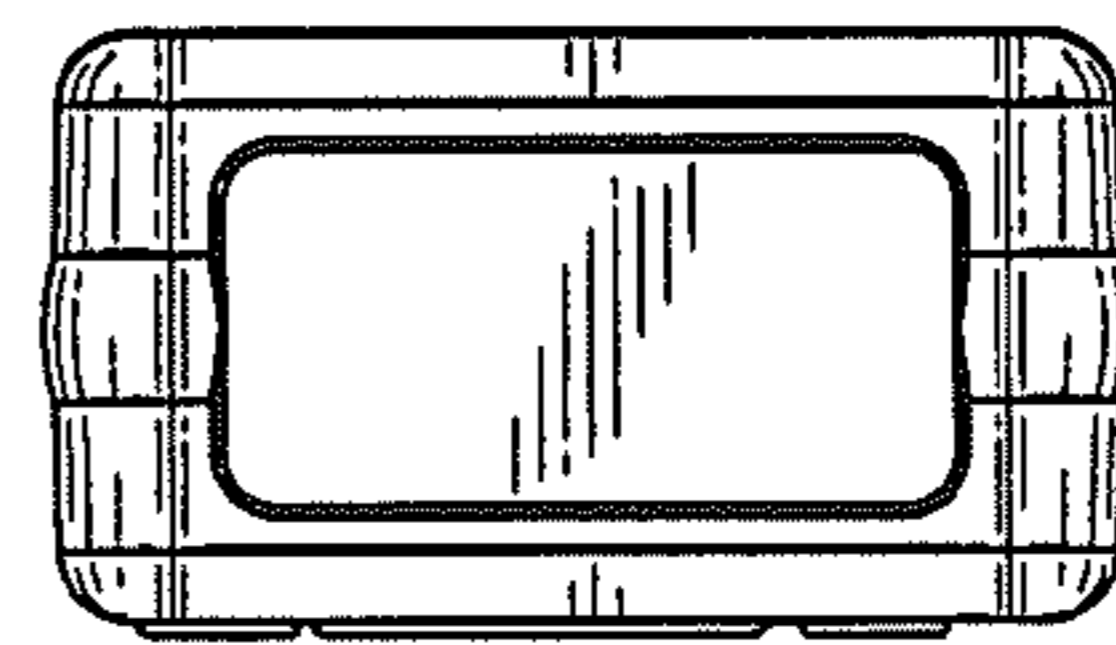


FIG. 14

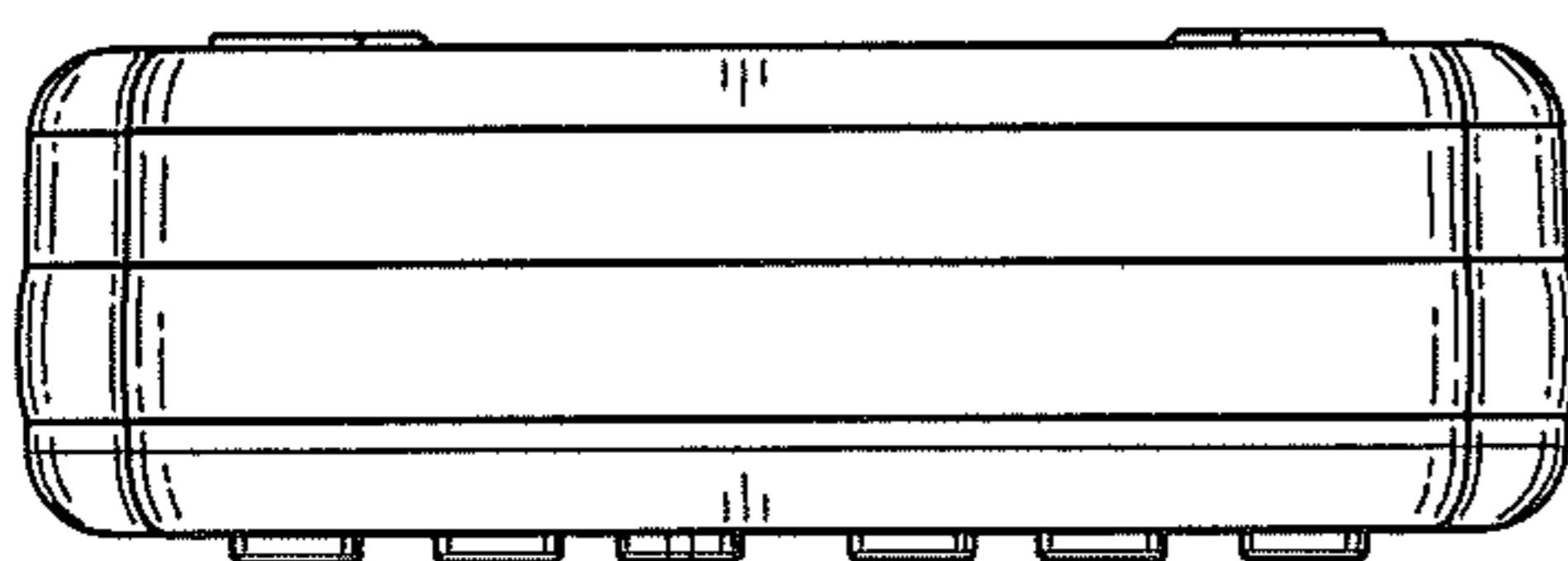


FIG. 15

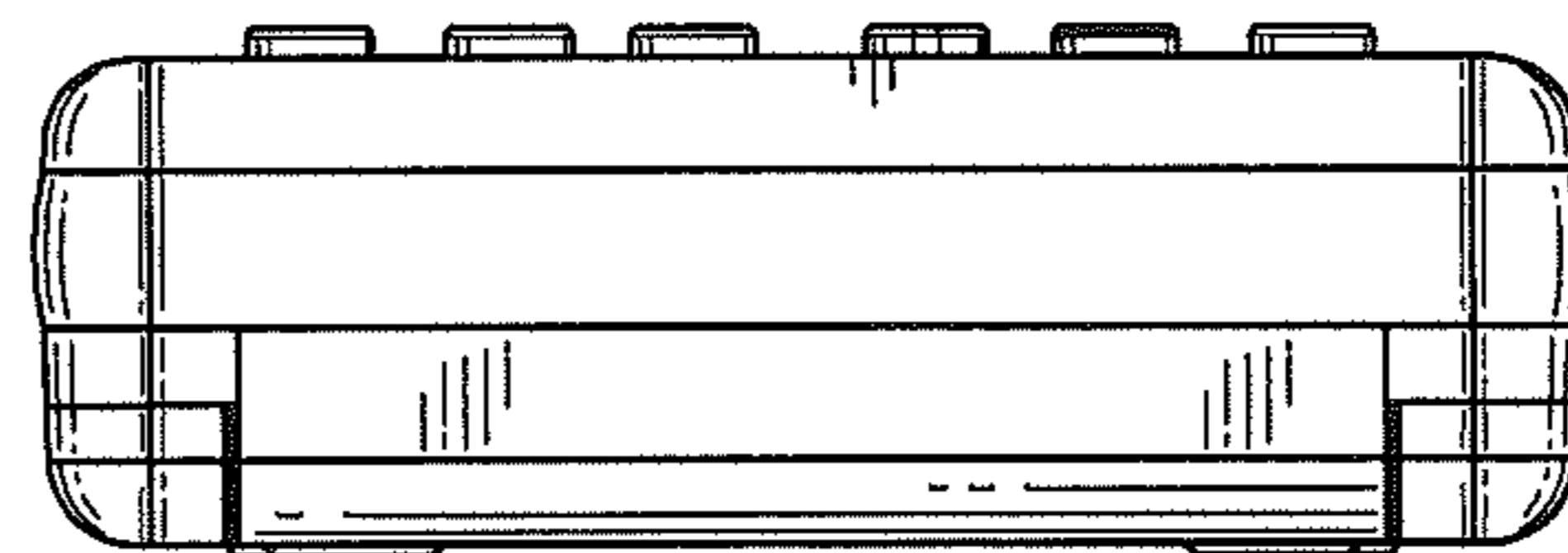


FIG. 16