



US00D968971S

(12) **United States Design Patent** (10) **Patent No.:** **US D968,971 S**  
**Foster et al.** (45) **Date of Patent:** **\*\* Nov. 8, 2022**

(54) **LIGHT SWITCH AND THERMOSTAT**

(71) Applicant: **Trox Corporation**, Randolph, NJ (US)

(72) Inventors: **Richard Foster**, Randolph, NJ (US);  
**Tyler Hrycak**, Randolph, NJ (US)

(73) Assignee: **Trox Corporation**, Randolph, NJ (US)

(\*\*) Term: **15 Years**

(21) Appl. No.: **29/773,377**

(22) Filed: **Mar. 9, 2021**

(51) **LOC (13) Cl.** ..... **10-04**

(52) **U.S. Cl.**  
USPC ..... **D10/49**; D13/162; D13/158

(58) **Field of Classification Search**  
USPC ..... D10/49, 50; D13/158, 162, 162.1, 168,  
D13/177, 184

CPC . F23N 5/20; F23N 5/203; F23N 5/206; F23N 5/18; F23N 5/184; F23N 5/187; F23N 5/22; F23N 2025/12; F23N 2041/02; F24F 11/00; F24F 11/0012; F24F 11/0009; F24F 11/001; F24F 2011/0057; F24F 2011/0073; F24F 2011/0091; F24F 2011/0094; F24F 2011/0068; F24F 2011/0012; F24F 2011/0015; F24F 2011/0017; F24F 11/39; F21V 11/16; F21V 33/10; G05B 19/042; G05D 23/01; G05D 23/12; G05D 23/275; G05D 23/1902; G05D 23/1904; G05D 23/27502; G05D 23/27503; G05D 23/1919; G05D 23/19; G05D 23/2723; G05D 23/00; G09F 13/22; G09F 9/53; G06F 1/1684; G06F 1/30; G06F 3/0362; G06F 3/038; H05B 33/0854; H05B 37/0218; H05B 45/00; H05B 47/11; H05B 47/115; H05B 47/12; H05B 47/14; H05B 47/16; H05B 47/175; H05K 5/0017; H05K 5/0243; H05K 5/00; H05K

5/03; H04M 2250/12; H04M 2250/22; A01K 15/021; A01K 29/00; A61B 5/11; A61B 5/4806; A61B 2562/0204; F21S 6/004; G01H 17/00; G01N 33/0004; G01P 13/00; G01S 13/89; G08B 21/02; G08B 21/14; G08B 21/18; G08B 21/182; Y02B 20/40

See application file for complete search history.

(56) **References Cited**

U.S. PATENT DOCUMENTS

D310,814 S *	9/1990	Rosenbaum .....	D13/117
D310,815 S *	9/1990	Watson .....	H05B 47/175
			D13/117
D312,611 S *	12/1990	Watson .....	D8/353
D455,406 S *	4/2002	Pinchuk .....	D13/165
D749,966 S *	2/2016	Ni .....	D10/49
D830,857 S *	10/2018	Ni .....	D10/49
D836,011 S *	12/2018	Ni .....	D10/53
D836,012 S *	12/2018	Ni .....	D10/53
11,243,006 B2 *	2/2022	Lark, Jr. ....	H05B 47/175

\* cited by examiner

*Primary Examiner* — Antoine Duval Davis

(74) *Attorney, Agent, or Firm* — Rothwell, Figg, Ernst & Manbeck, P.C.

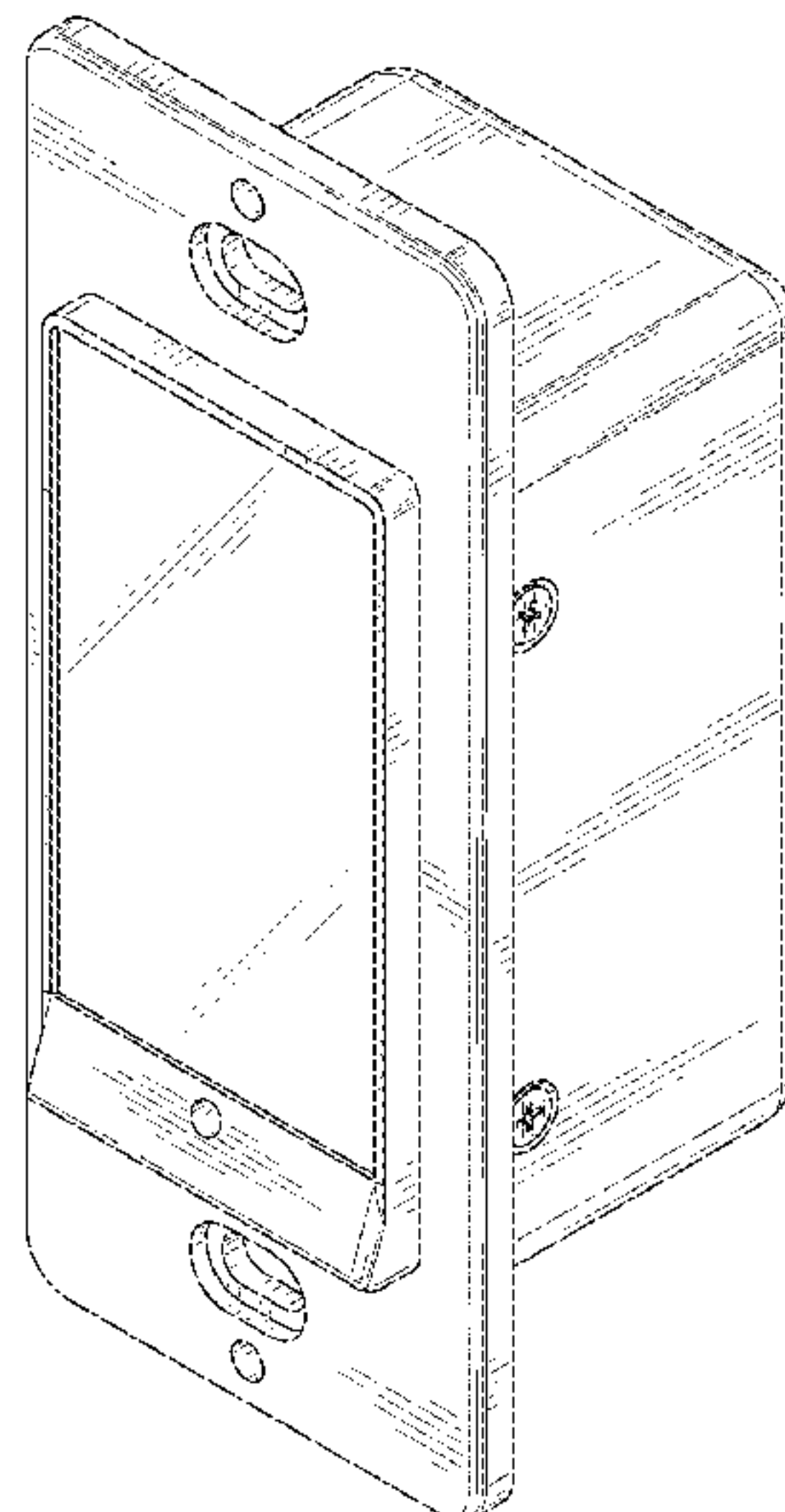
(57) **CLAIM**

The ornamental design for a light switch and thermostat, as shown.

**DESCRIPTION**

FIG. 1 is a front right perspective view of a light switch and thermostat showing our new design; FIG. 2 is a rear view thereof; FIG. 3 is a front view thereof; FIG. 4 is a right side view thereof; FIG. 5 is a left side view thereof; FIG. 6 is a top view thereof; and, FIG. 7 is a bottom view thereof.

**1 Claim, 4 Drawing Sheets**



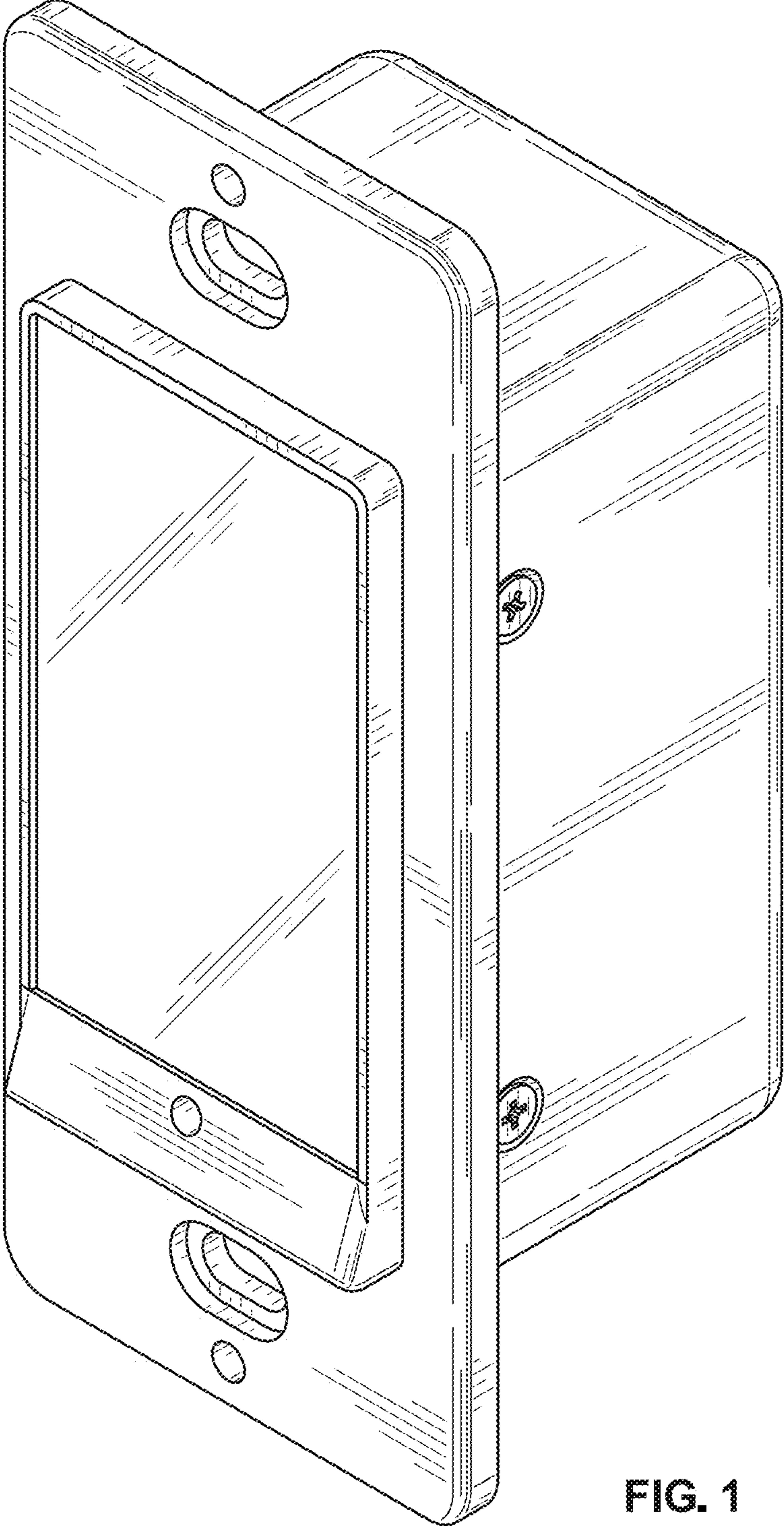


FIG. 1

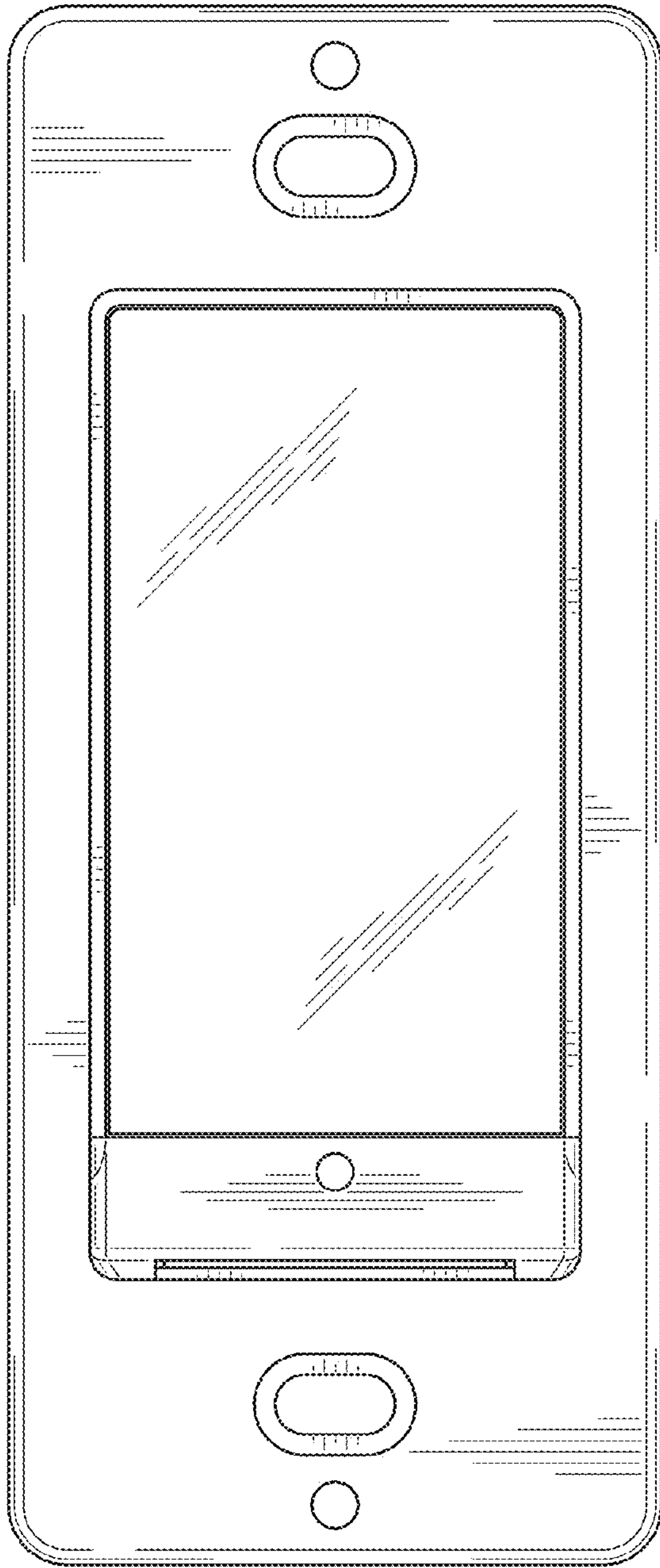


FIG. 2

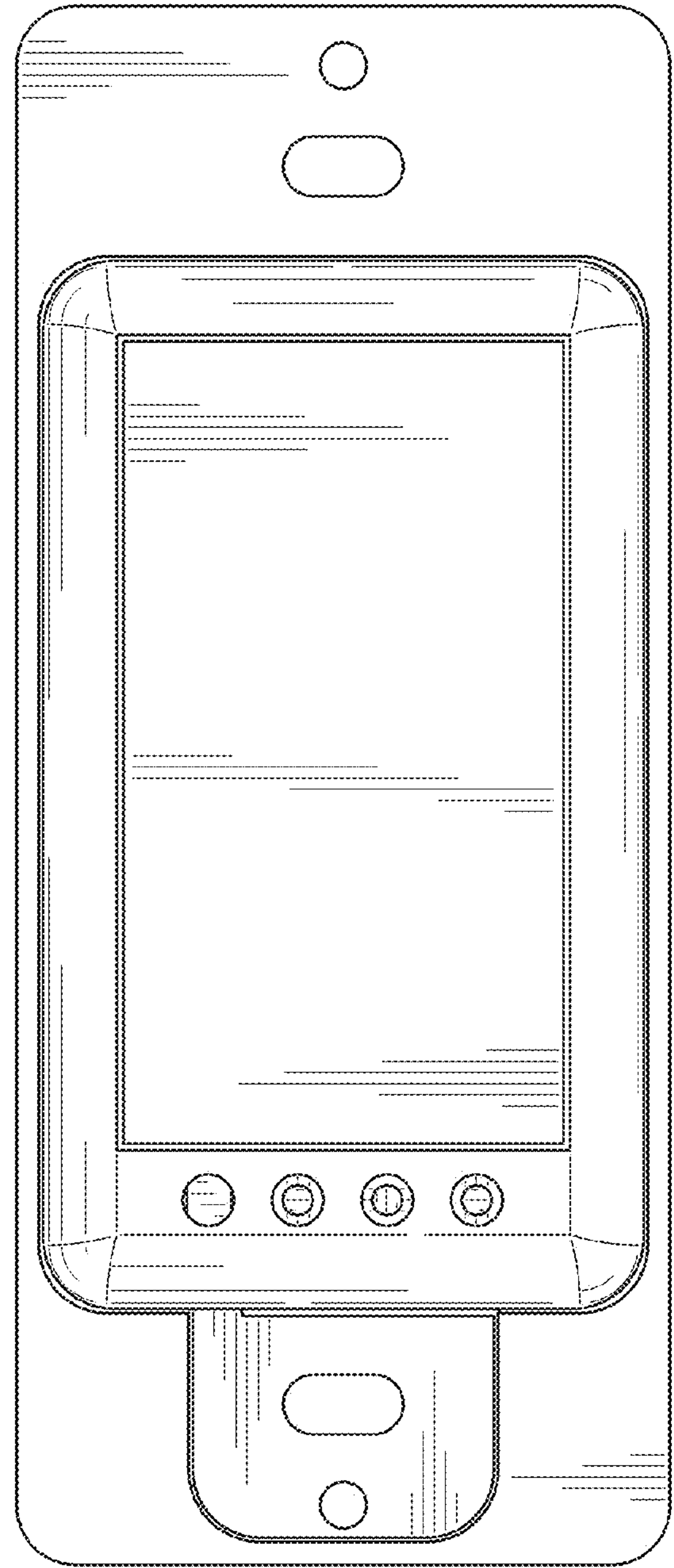


FIG. 3



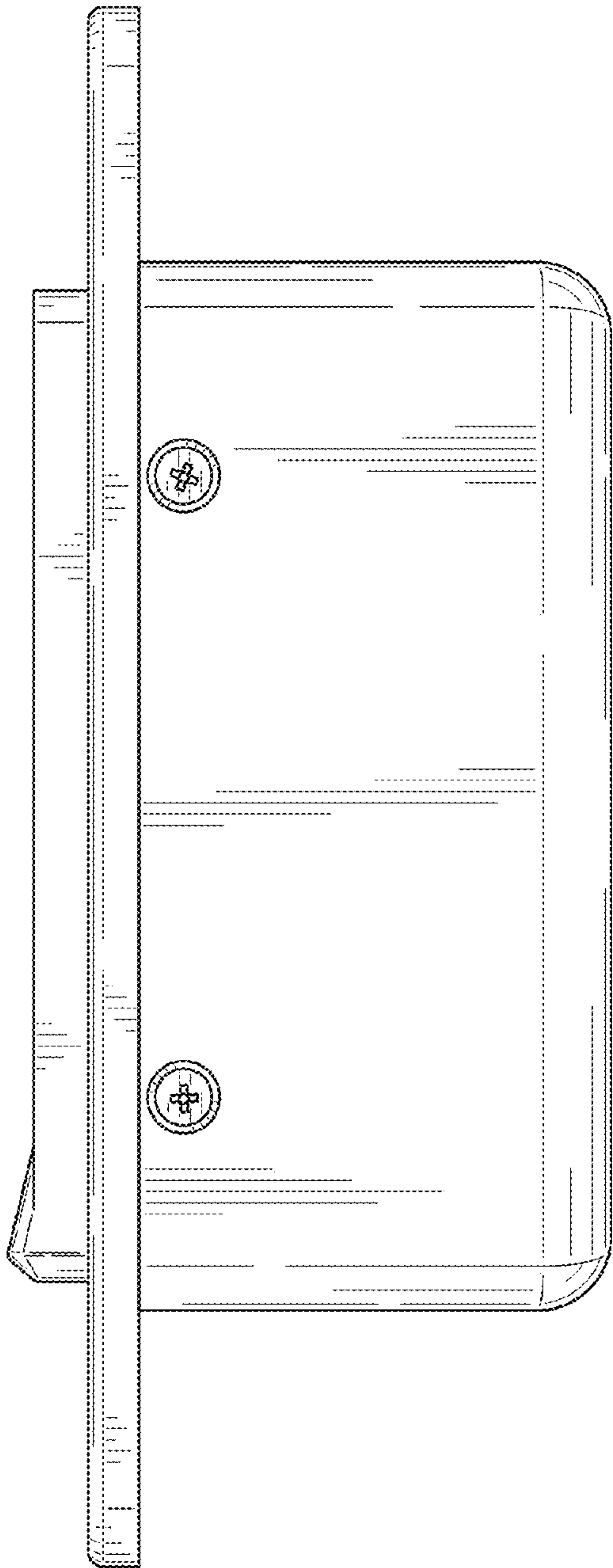


FIG. 4

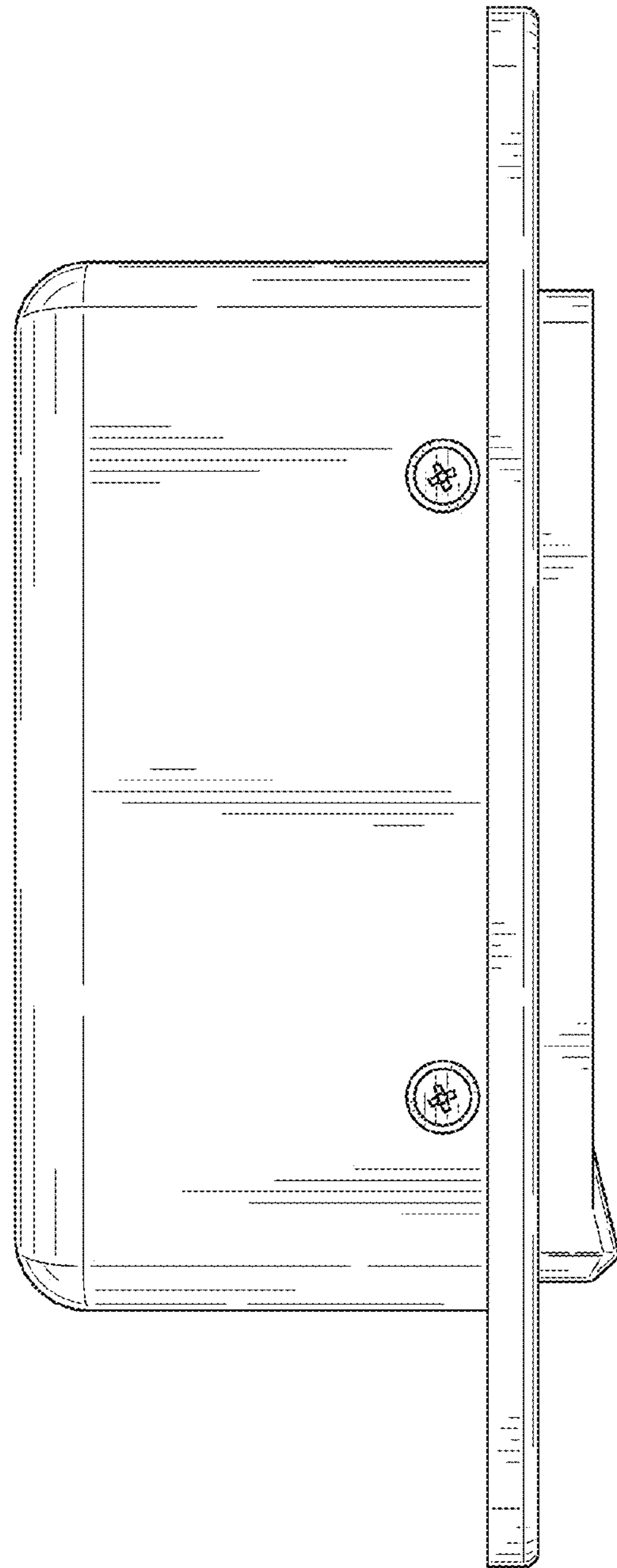


FIG. 5

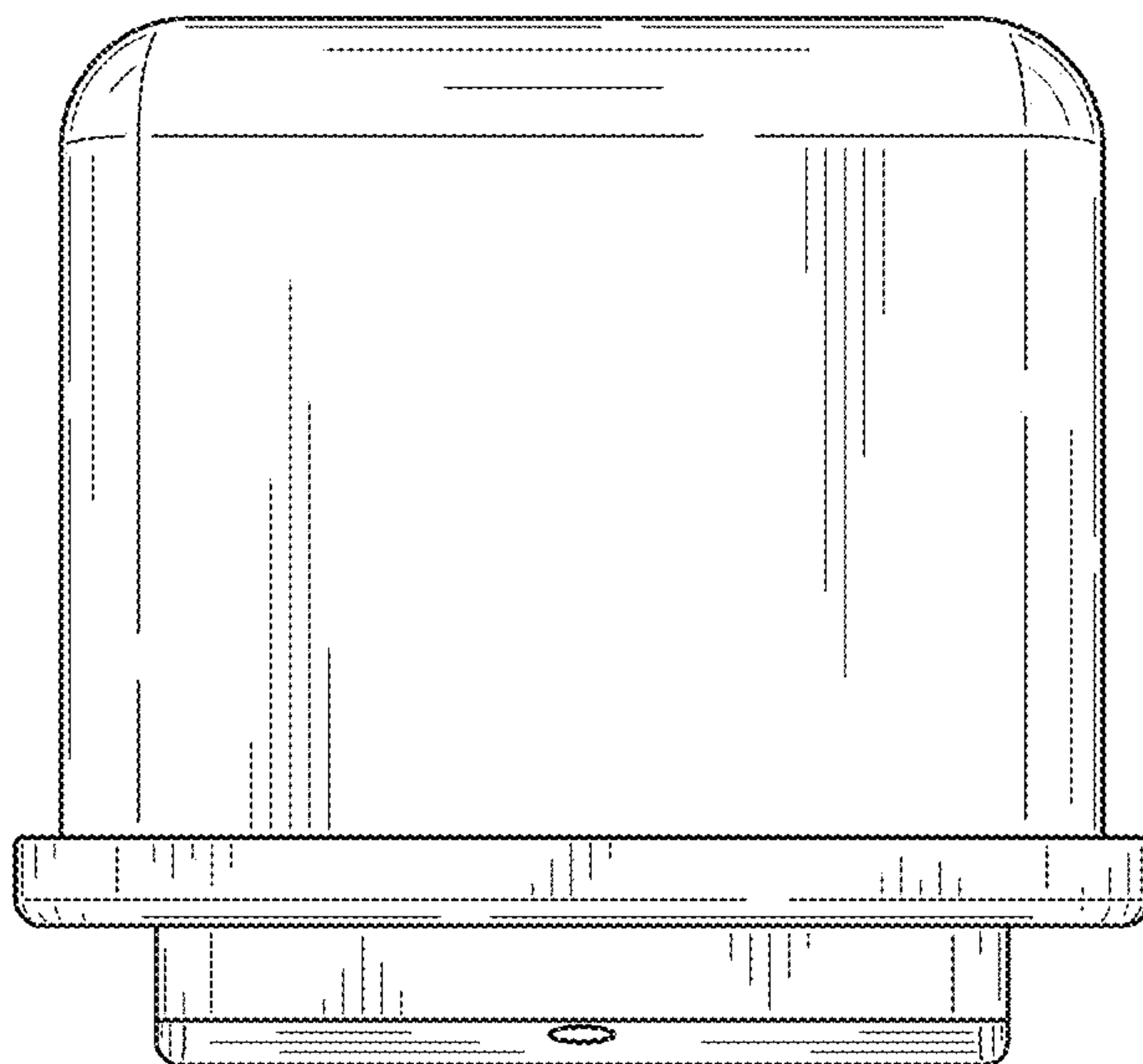


FIG. 6

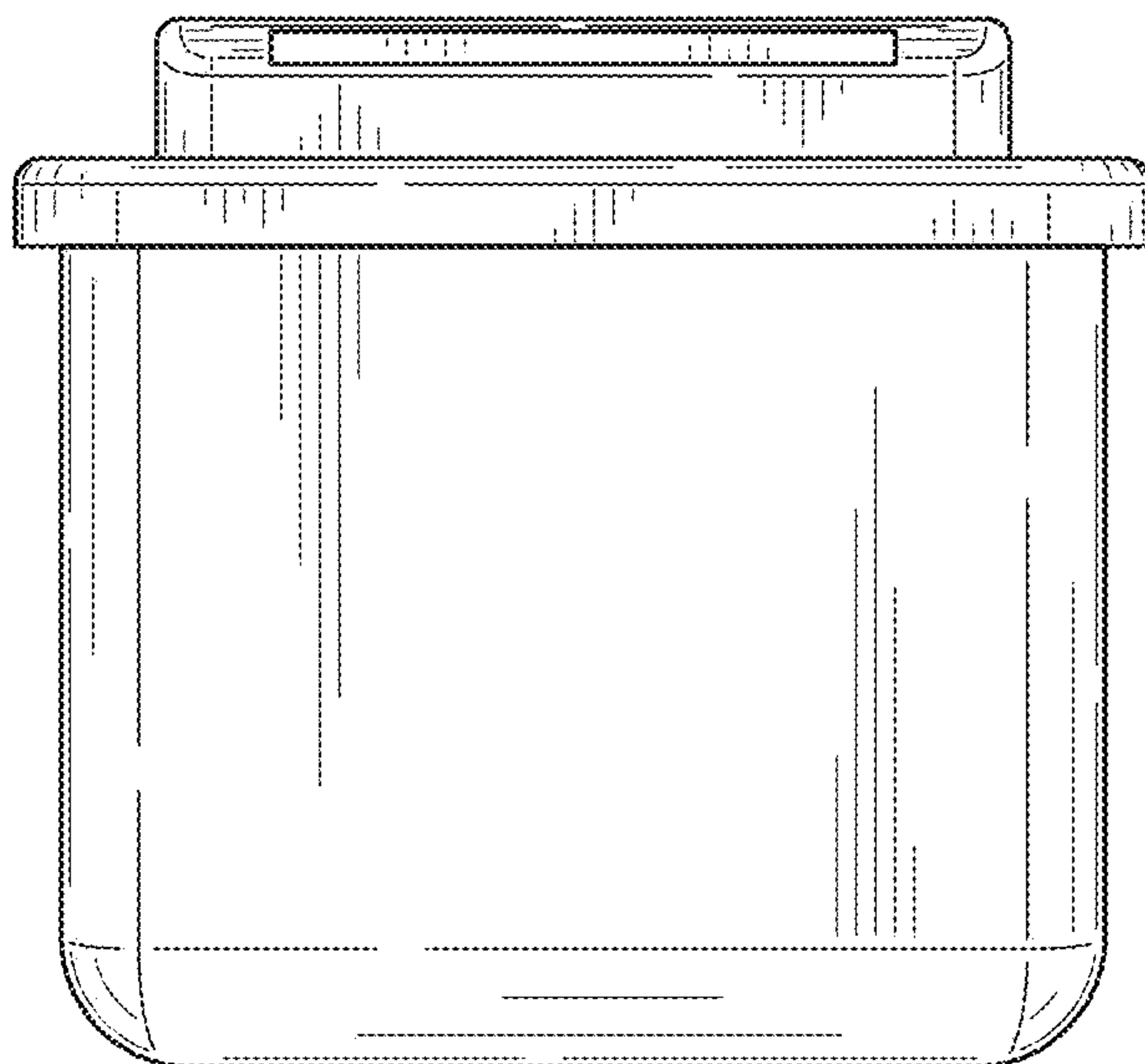


FIG. 7