



US00D968968S

(12) **United States Design Patent** (10) **Patent No.:** **US D968,968 S**
Qian (45) **Date of Patent:** **** Nov. 8, 2022**

(54) **WATCH**
(71) Applicant: **Cartier International AG**, Steinhausen (CH)
(72) Inventor: **Jianghong Qian**, Versoix (CH)
(73) Assignee: **Cartier International AG**, Steinhausen (CH)

(**) Term: **15 Years**
(21) Appl. No.: **29/747,198**

(22) Filed: **Aug. 20, 2020**
(51) **LOC (13) Cl.** **10-02**
(52) **U.S. Cl.**
USPC **D10/34; D10/38**
(58) **Field of Classification Search**
USPC D10/30-39, 128
CPC G04B 19/00; G04B 19/02; G04B 19/025;
G04B 19/04; G04B 19/042; G04B 19/06;
G04B 19/065; G04B 19/08; G04B
19/085; G04B 19/087; G04B 37/00;
G04B 37/0058; G04B 37/14; G04B
37/1446; G04B 37/18; G04B 45/0046;
G04B 45/0069; G04B 45/0076; G04B
39/00; G04B 39/002; G04B 39/0004;
G04B 39/0006

See application file for complete search history.

(56) **References Cited**

U.S. PATENT DOCUMENTS

D318,417 S * 7/1991 Savage D9/607
D401,161 S * 11/1998 Perrin D10/34
D758,892 S * 6/2016 Rabassa D10/34
D783,438 S * 4/2017 Iacomucci D11/4

D791,619 S * 7/2017 Rabassa D10/30
D792,787 S * 7/2017 Rabassa D10/30
D809,415 S * 2/2018 Fillon D11/26
D813,080 S * 3/2018 Sallard D11/42
D829,570 S * 10/2018 Rabassa D10/34
D868,613 S * 12/2019 Sumi D10/126
D887,862 S * 6/2020 Rigoulet D10/34

OTHER PUBLICATIONS

Cartier Unveils New Precious Mysterious Collection Timepieces | watchonista.com; Mar. 29, 2021 [online]. © The Watches Network SA 2022 [retrieved May 18, 2022] from Internet: <https://www.watchonista.com/articles/novelties/cartier-unveils-new-precious-and-mysterious-collection-timepieces> (Year: 2021).*

* cited by examiner

Primary Examiner — Katherine Glennon
(74) *Attorney, Agent, or Firm* — Taft Stettinius & Hollister LLP

(57) **CLAIM**

The ornamental design for a watch, as shown and described.

DESCRIPTION

FIG. 1 is a front elevational view of a watch showing my new design;
FIG. 2 is a back elevational view thereof;
FIG. 3 is a top plan view thereof;
FIG. 4 is a bottom plan view thereof;
FIG. 5 is a left side elevational thereof;
FIG. 6 is a right side elevational view thereof;
FIG. 7 is a front, bottom, right side perspective view thereof;
and,
FIG. 8 is a back, bottom, left side perspective view thereof.
The broken lines in the drawings show portions of the watch that form no part of the claimed design.

1 Claim, 8 Drawing Sheets

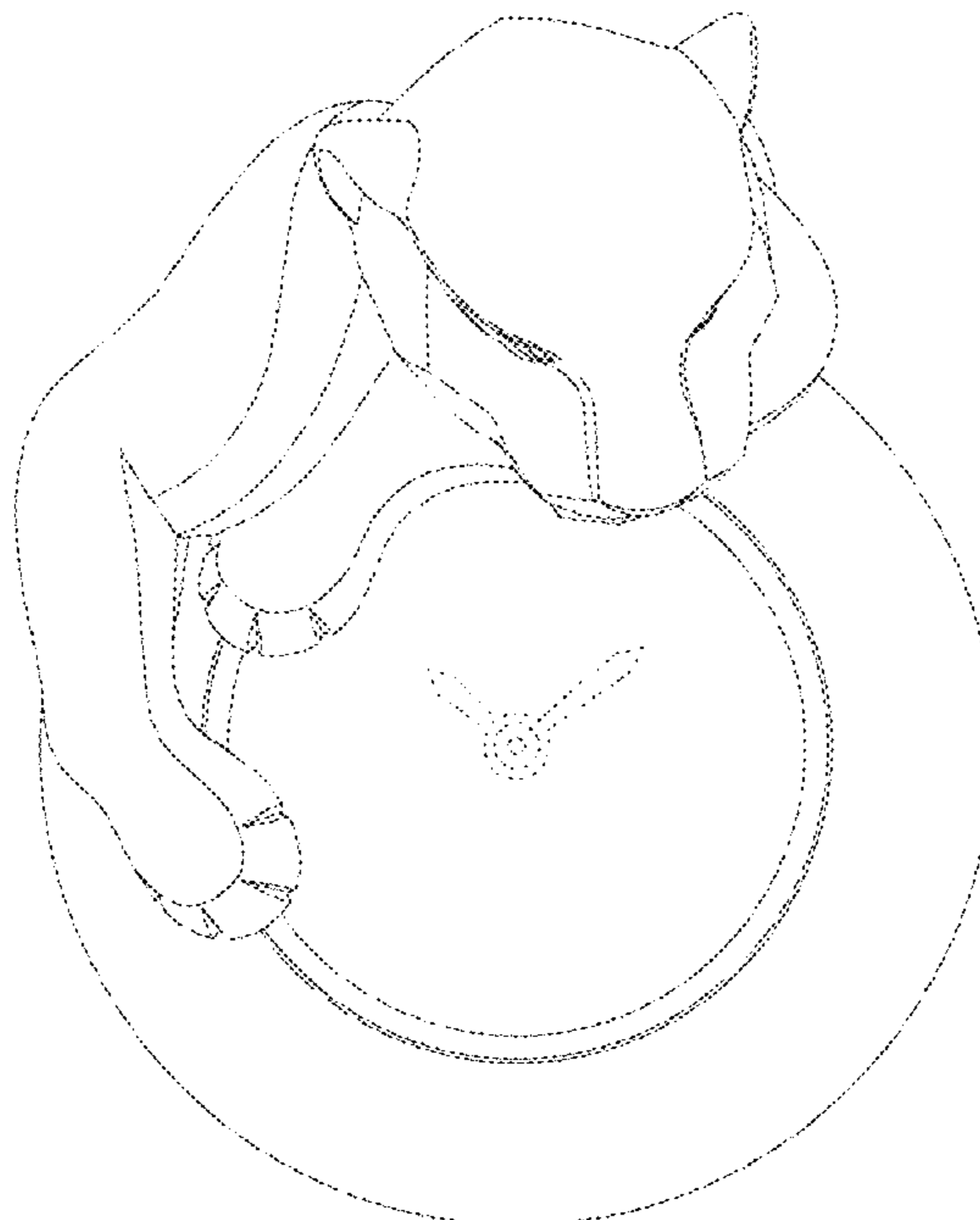




Fig. 1

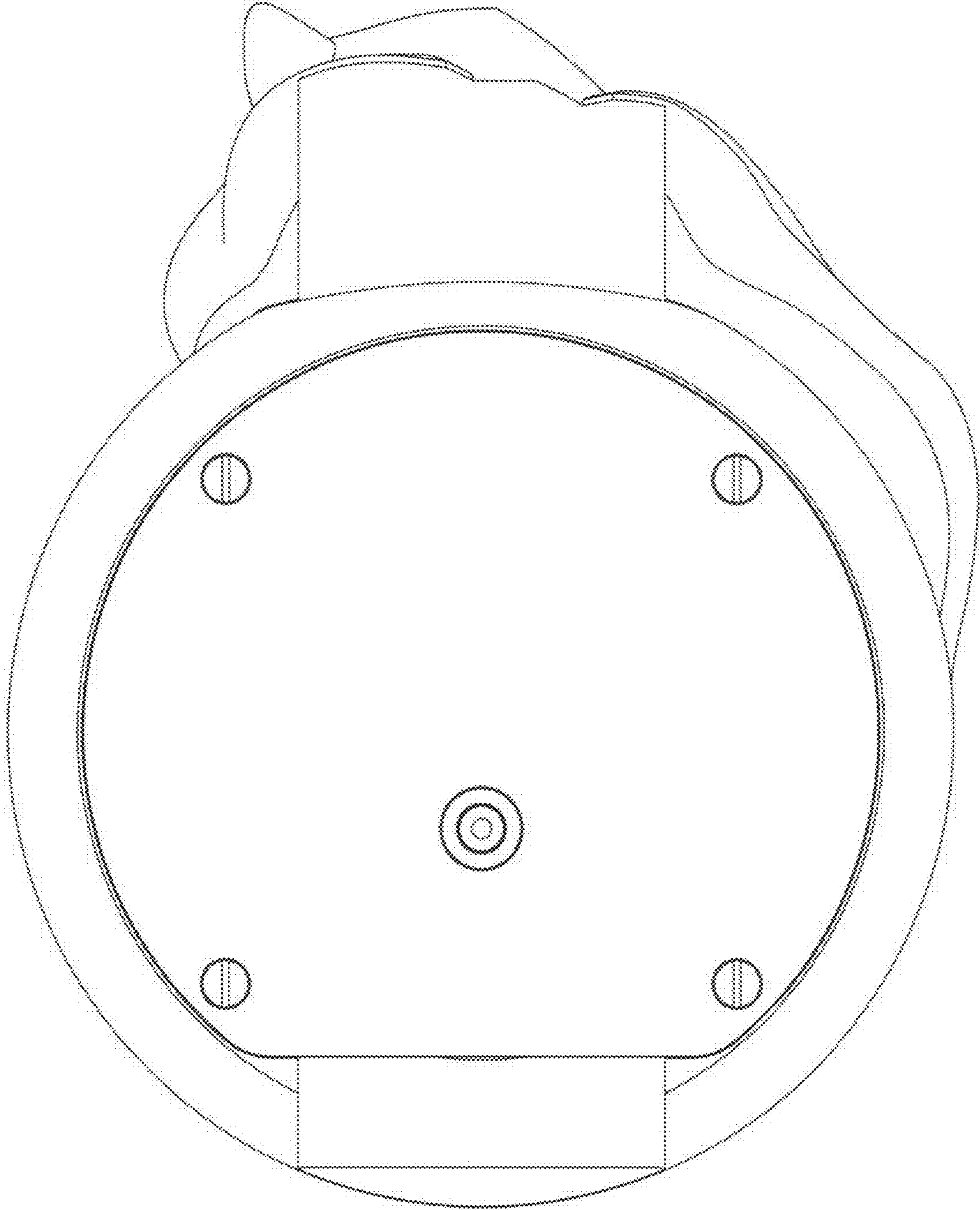


Fig. 2

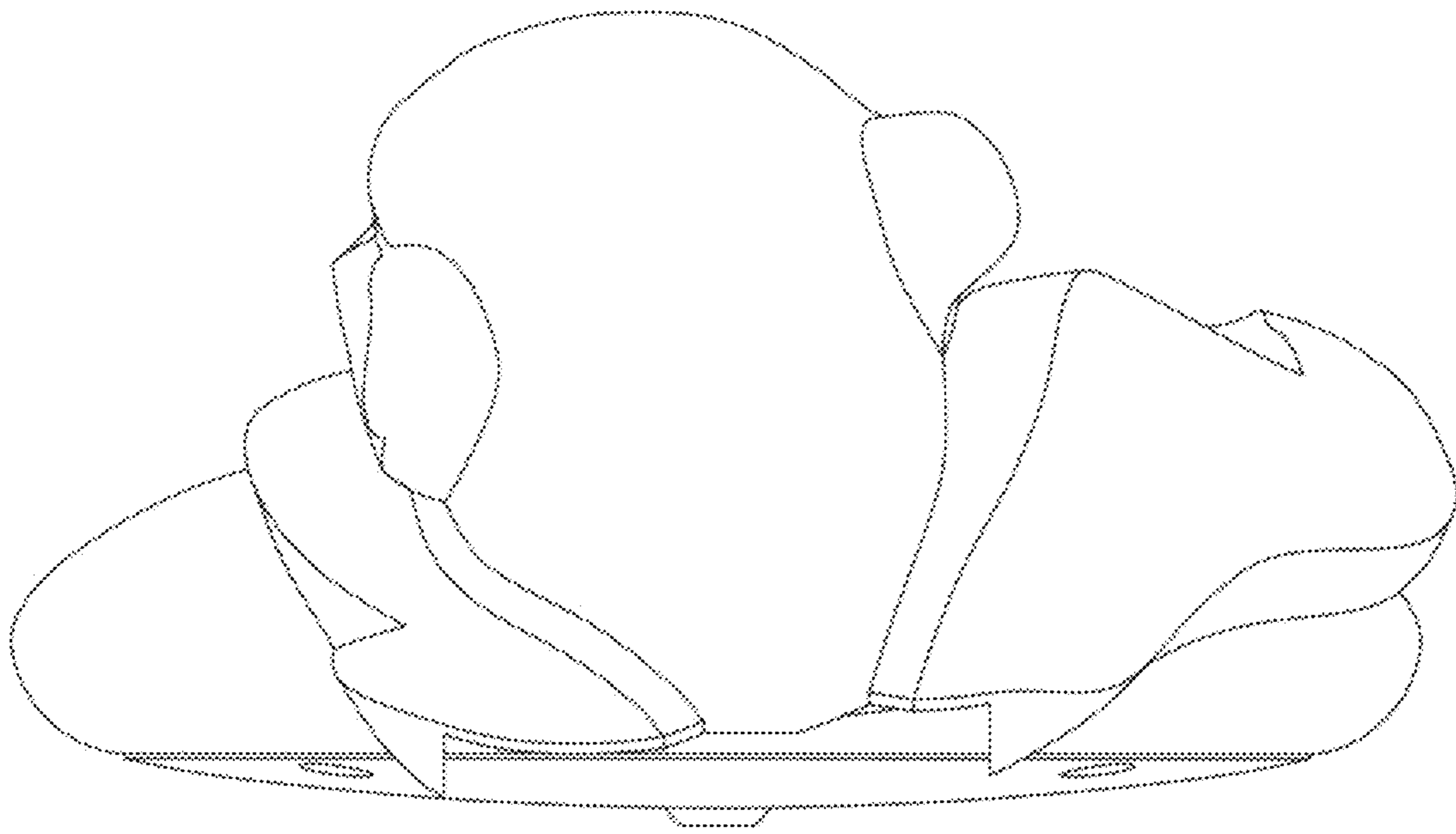


Fig. 3

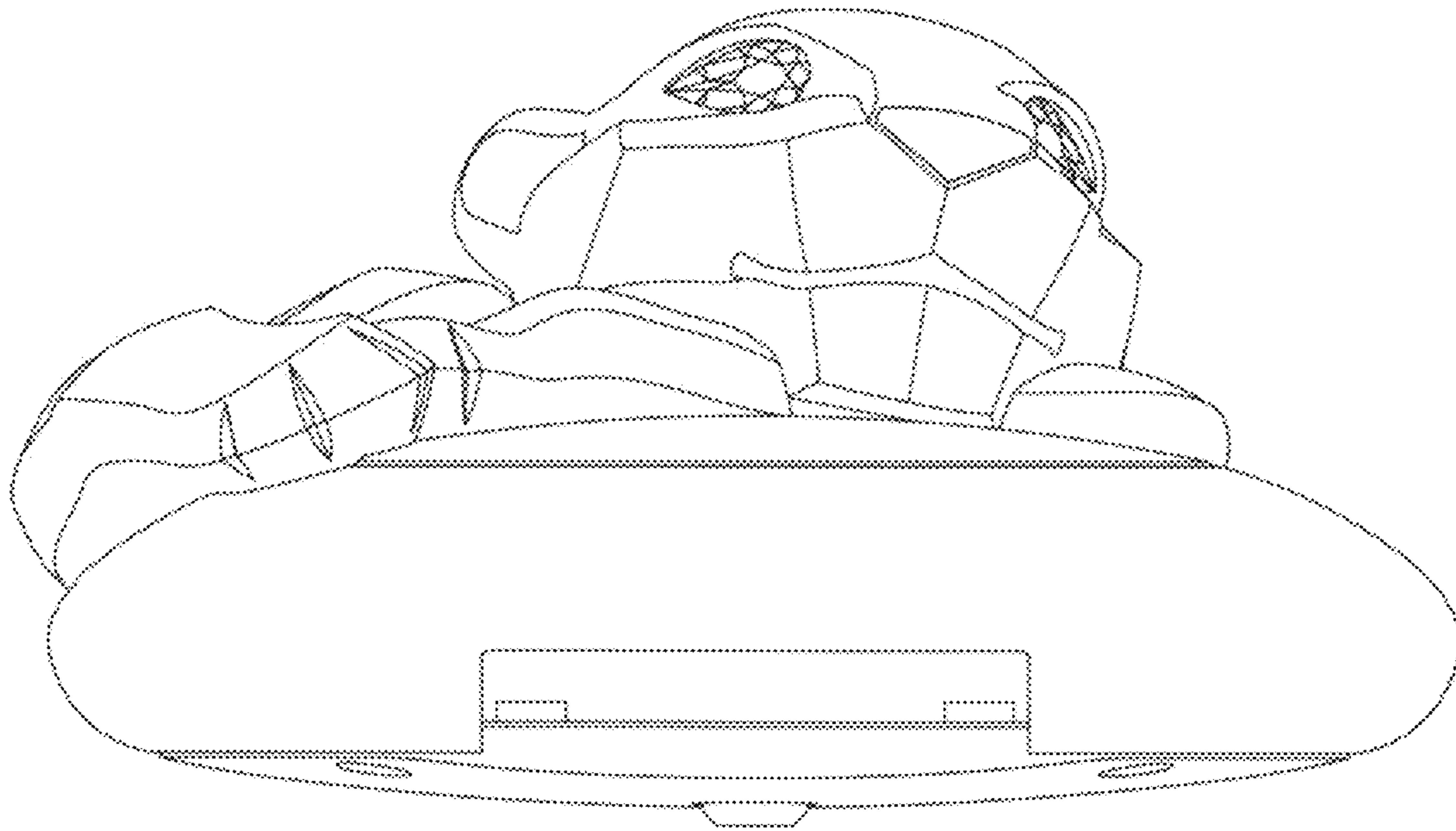


Fig. 4

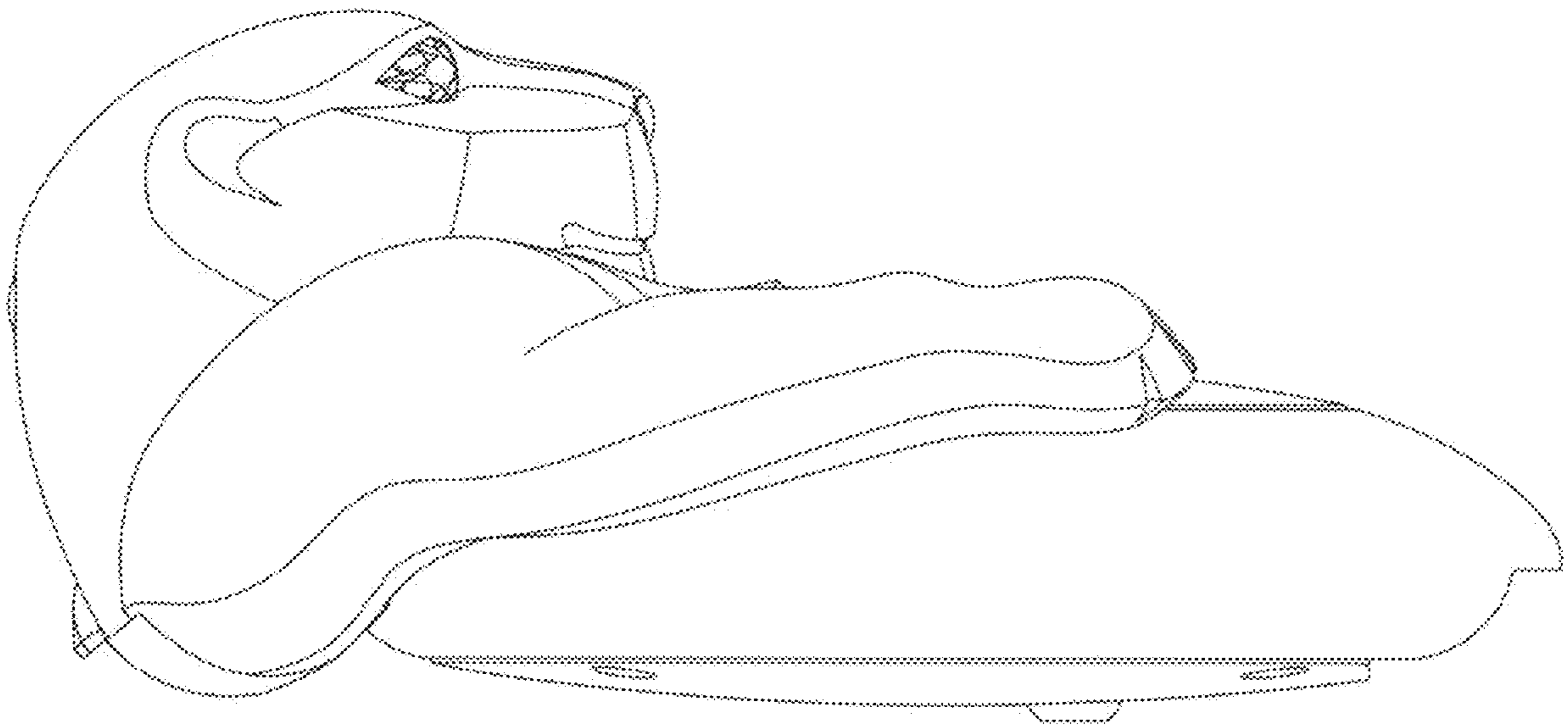


Fig. 5

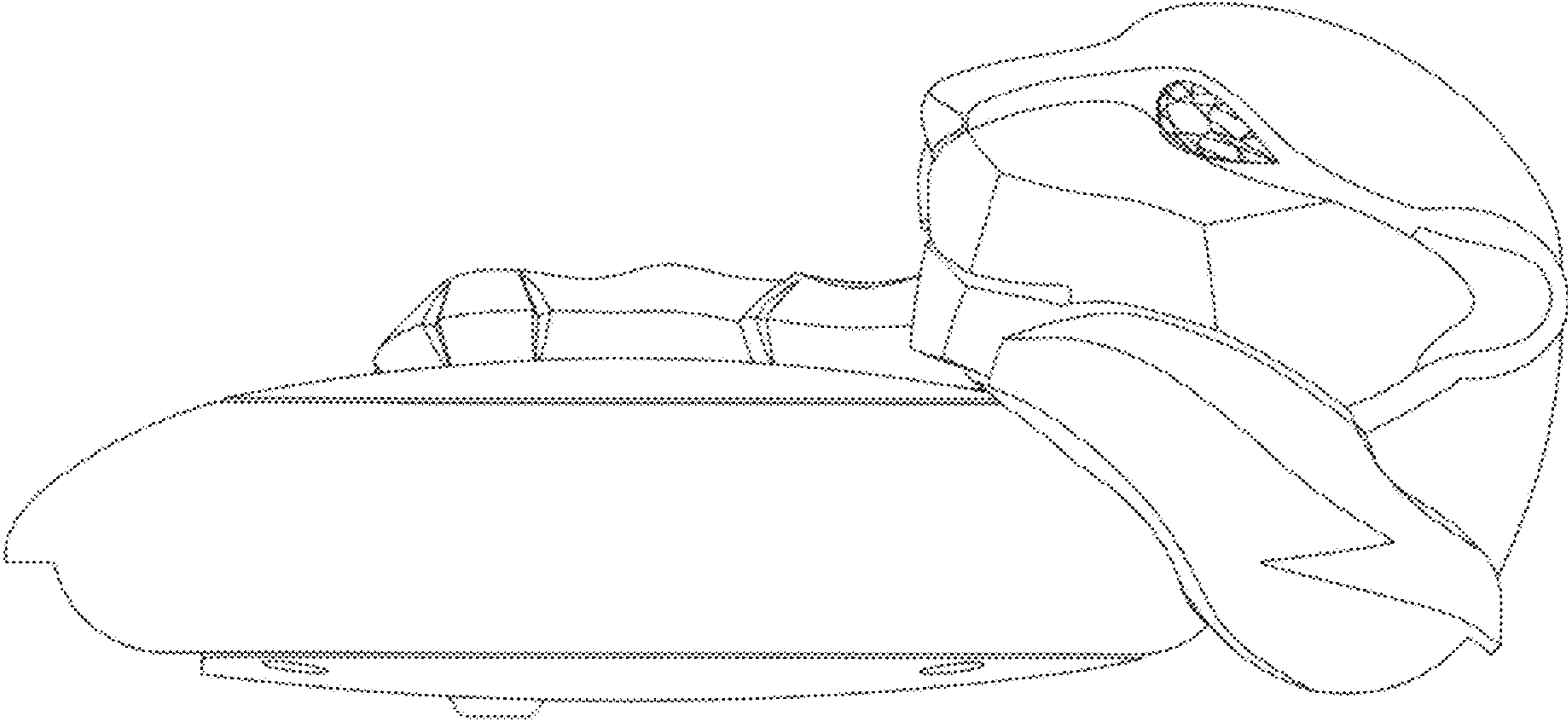


Fig. 6



Fig. 7

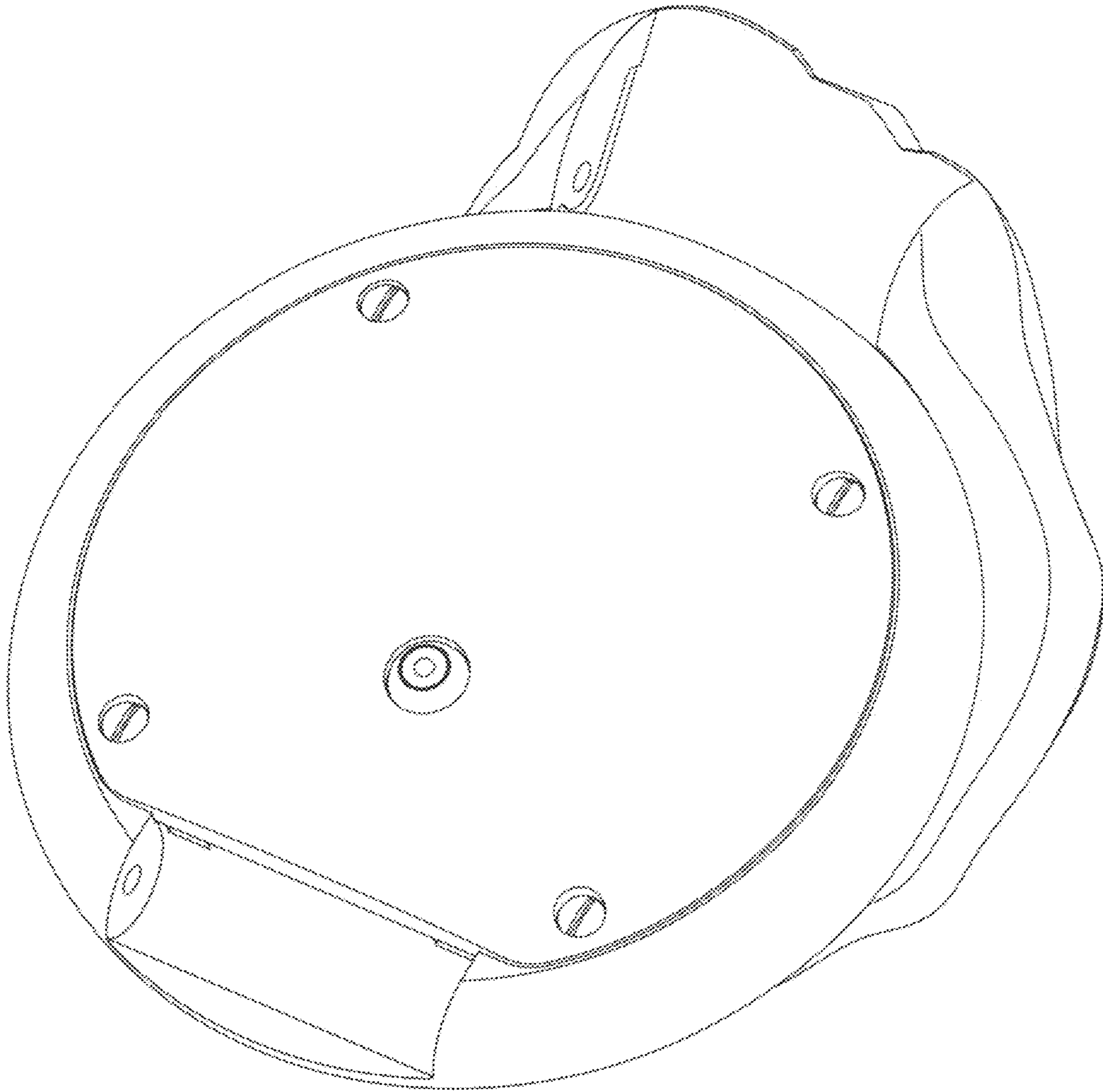


Fig. 8