



US00D968967S

(12) **United States Design Patent**
MacMillan

(10) **Patent No.:** **US D968,967 S**

(45) **Date of Patent:** **** Nov. 8, 2022**

(54) **CARRY OUT BAG**

(71) Applicant: **Elkay Plastics, Inc.**, Commerce, CA
(US)

(72) Inventor: **Thomas MacMillan**, Torrance, CA
(US)

(73) Assignee: **Elkay Plastics, Inc.**, Commerce, CA
(US)

(**) Term: **15 Years**

(21) Appl. No.: **29/786,532**

(22) Filed: **Jun. 1, 2021**

(51) **LOC (13) Cl.** **09-05**

(52) **U.S. Cl.**
USPC **D9/703**

(58) **Field of Classification Search**
USPC D9/702-714; D5/1-4, 7, 11, 12, 19, 23,
D5/25, 39, 43, 46, 47-48, 50-61;
D6/585, 612-613, 622, 617, 594, 596,
D6/601, 602-603, 608; D19/1, 5;
D25/138, 157, 158, 160; 28/143, 150,
28/160, 163; 428/32, 66.5, 91
CPC F41H 3/02; A47L 13/16; D03D 15/0033;
D06C 23/00; D05C 17/00; B44C 5/0469;
A47G 23/03; A47G 23/0303
See application file for complete search history.

(56) **References Cited**

U.S. PATENT DOCUMENTS

D613,615 S * 4/2010 Hedstrom D9/702
D764,932 S * 8/2016 Joswick D9/702

D876,239 S * 2/2020 Yu D9/709
D944,653 S * 3/2022 Ramsey B65D 33/004
D9/709
D953,876 S * 6/2022 Hishmeh D9/703
D953,884 S * 6/2022 Kinneman D9/709

* cited by examiner

Primary Examiner — Abraham Bahta

(74) *Attorney, Agent, or Firm* — Fulwider Patton LLP

(57) **CLAIM**

I, claim the ornamental design for a carry out bag, as shown and described.

DESCRIPTION

FIG. 1 is a front perspective view of the carry out bag with the handle in an open position showing my new design; FIG. 2. is a rear perspective view thereof; FIG. 3 is a front view thereof; FIG. 4. is a rear view thereof; FIG. 5 is a front perspective view of the carry out bag with the handle in a closed position; FIG. 6 is a rear perspective view of FIG. 5; FIG. 7 is a front view of FIG. 5; and, FIG. 8 is a rear view of FIG. 5.
The dash-dot-dash lines are included to show the boundary of the claimed design and form no part of the claimed design.

1 Claim, 6 Drawing Sheets

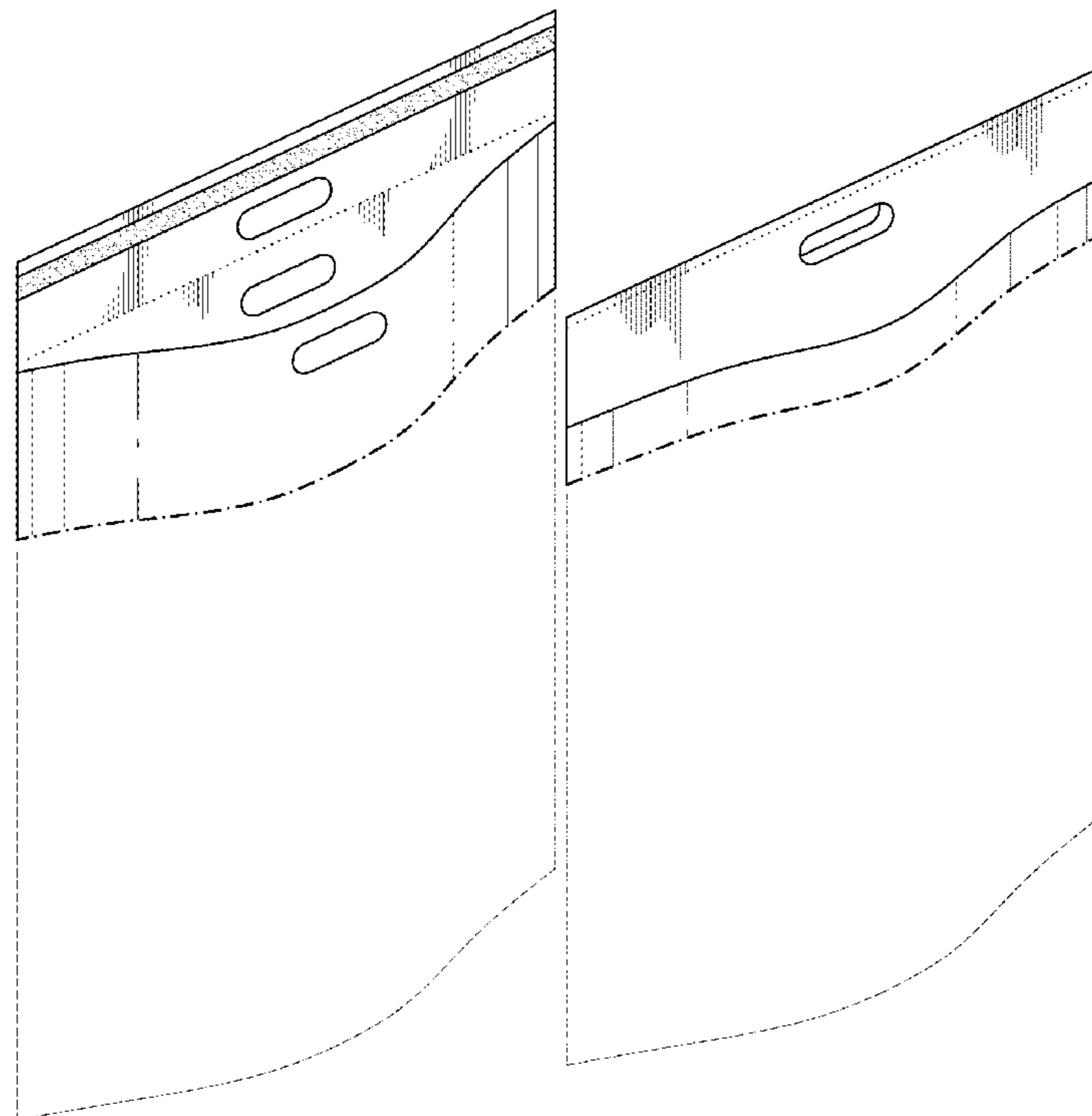
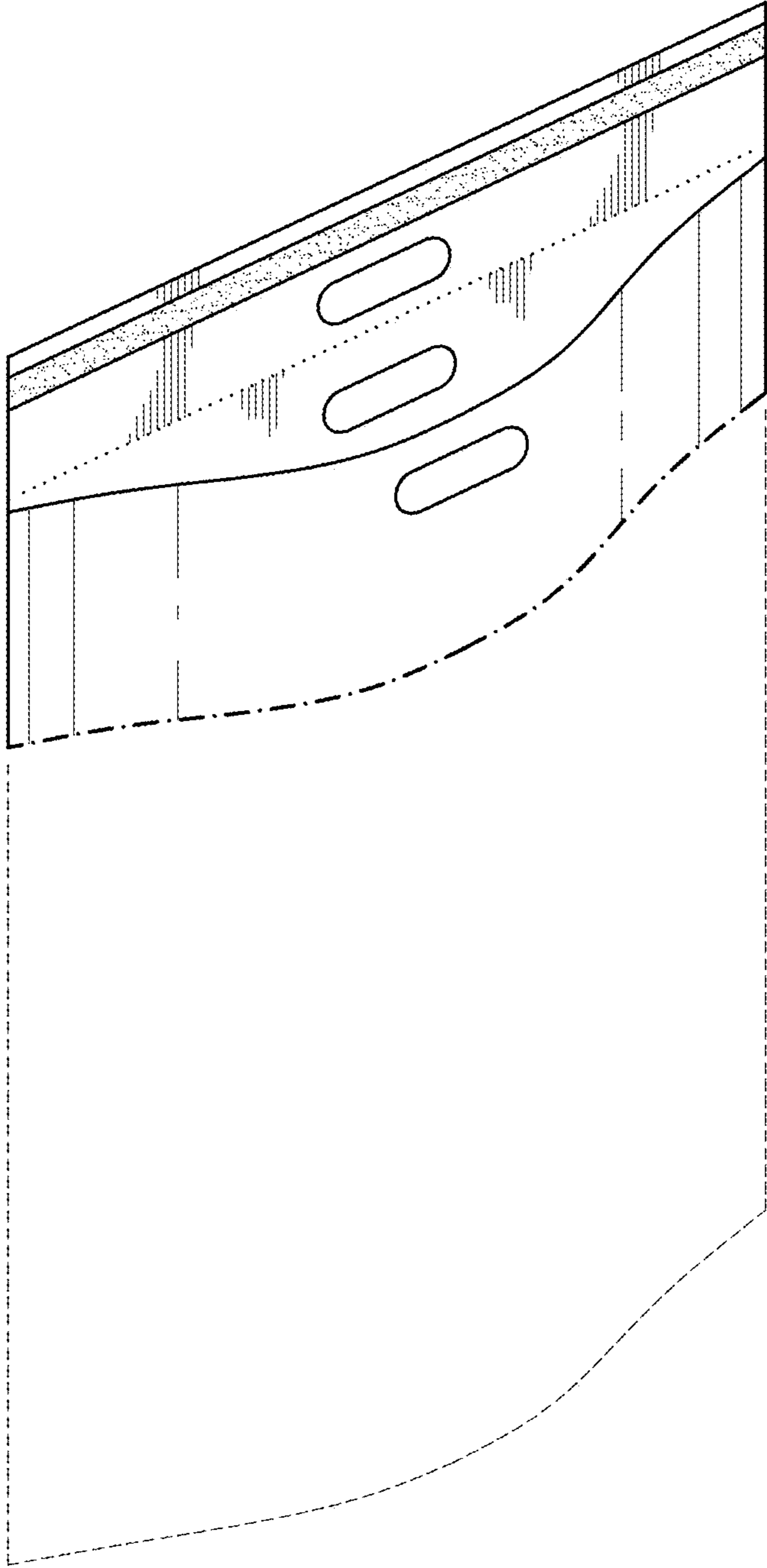


FIG. 1



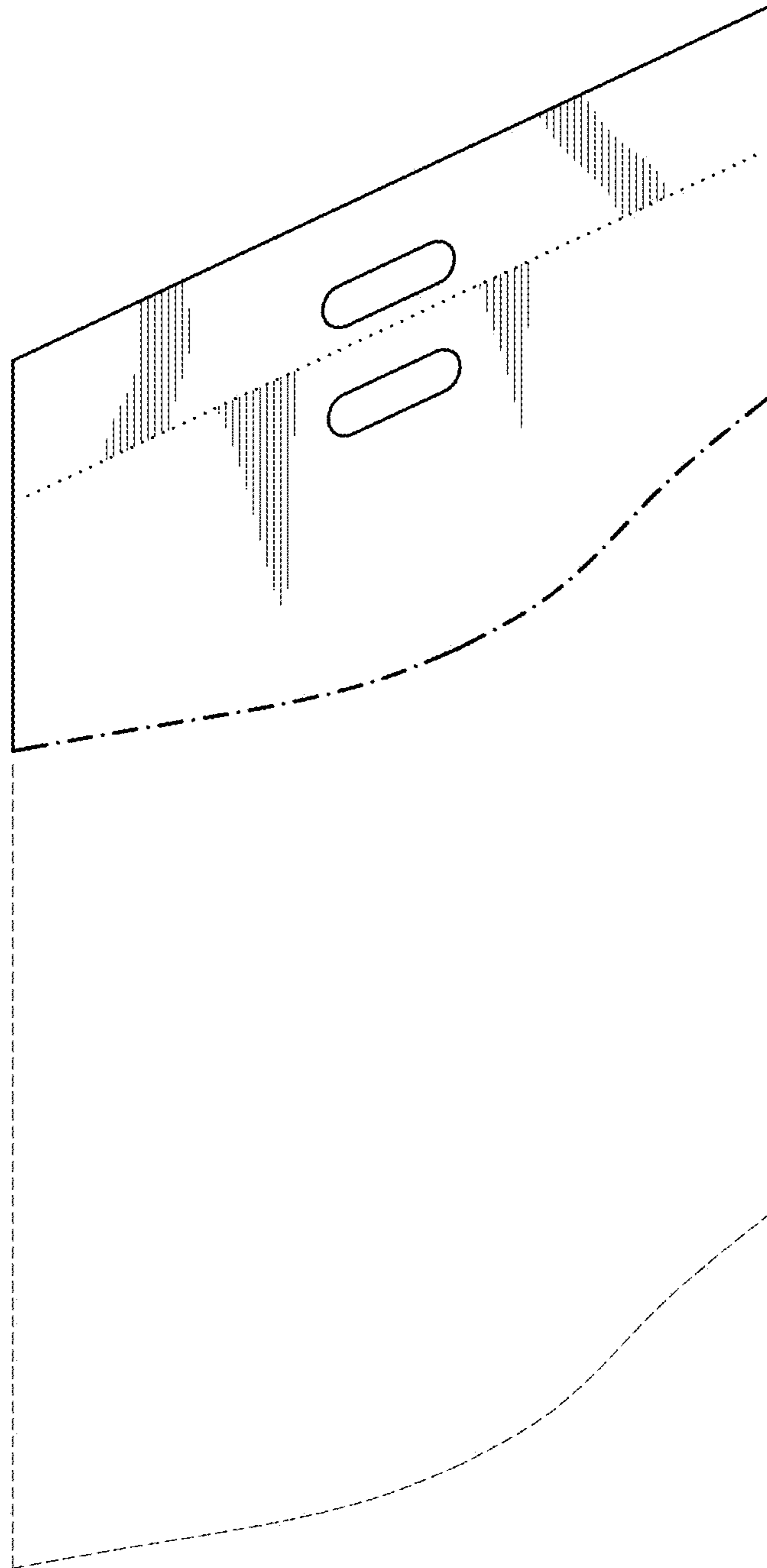


FIG. 2

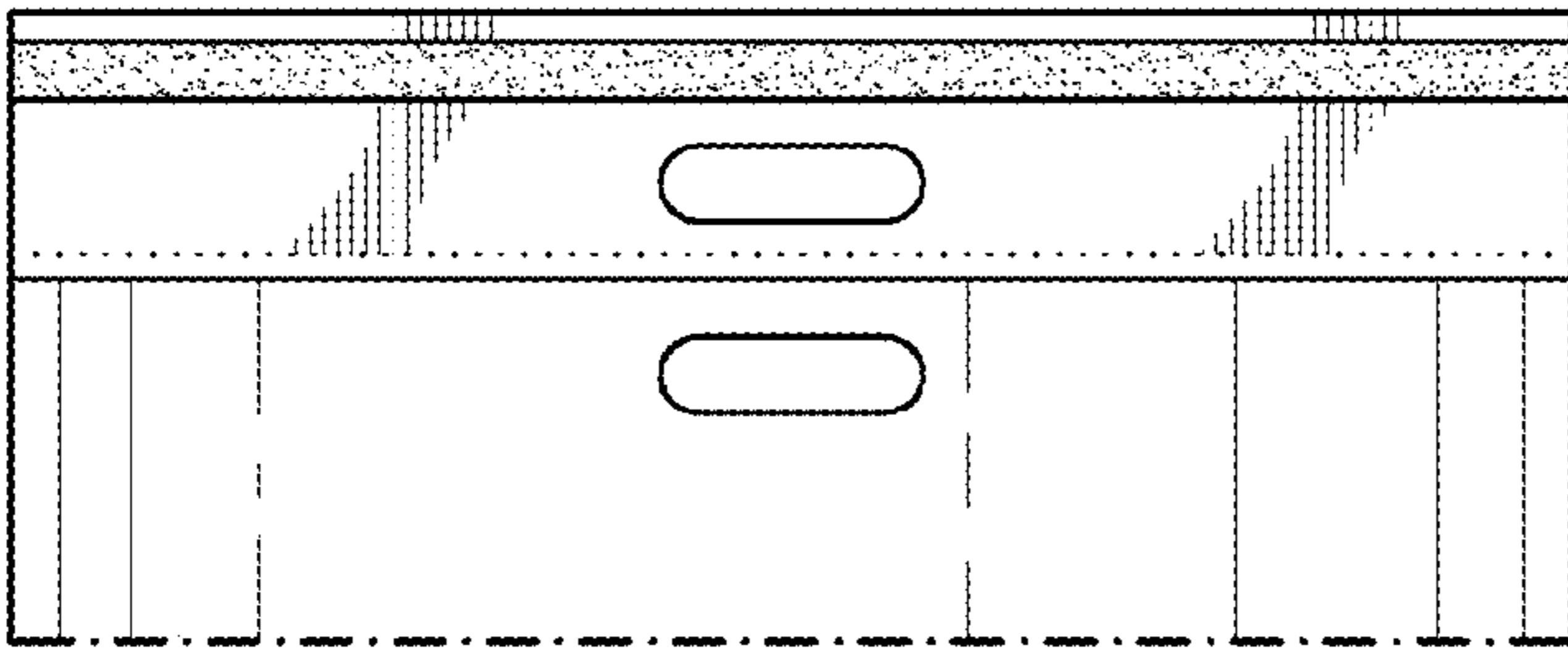


FIG. 3

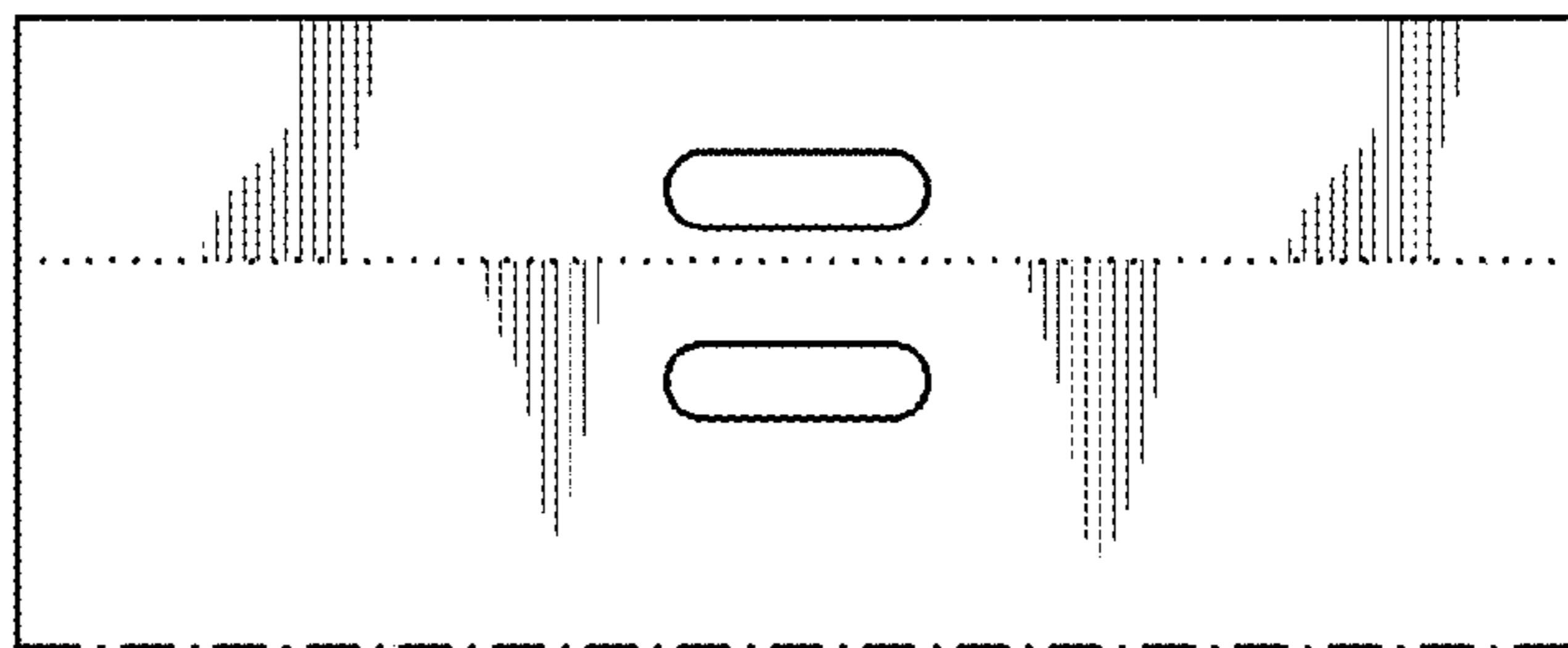


FIG. 4

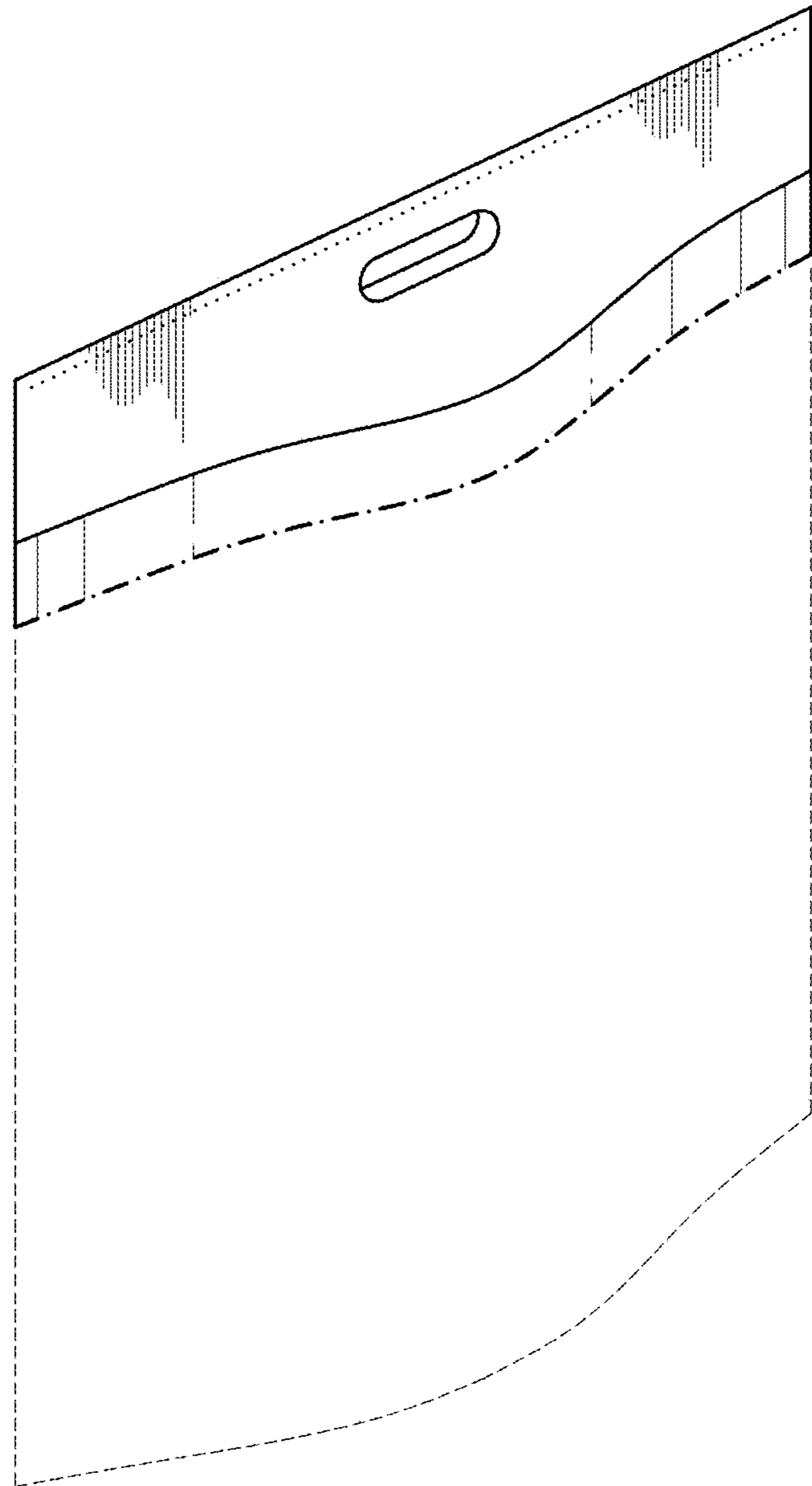
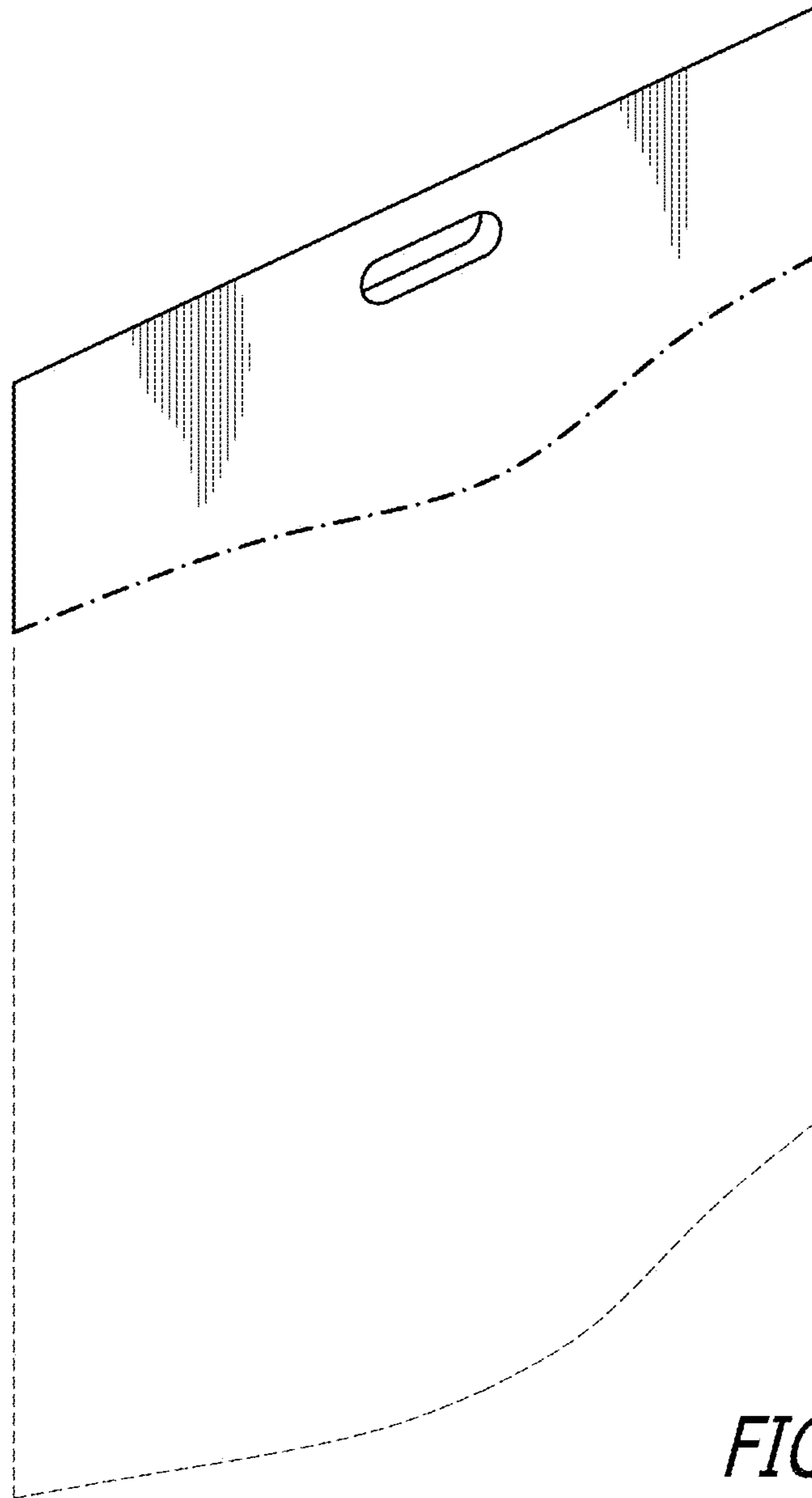


FIG. 5



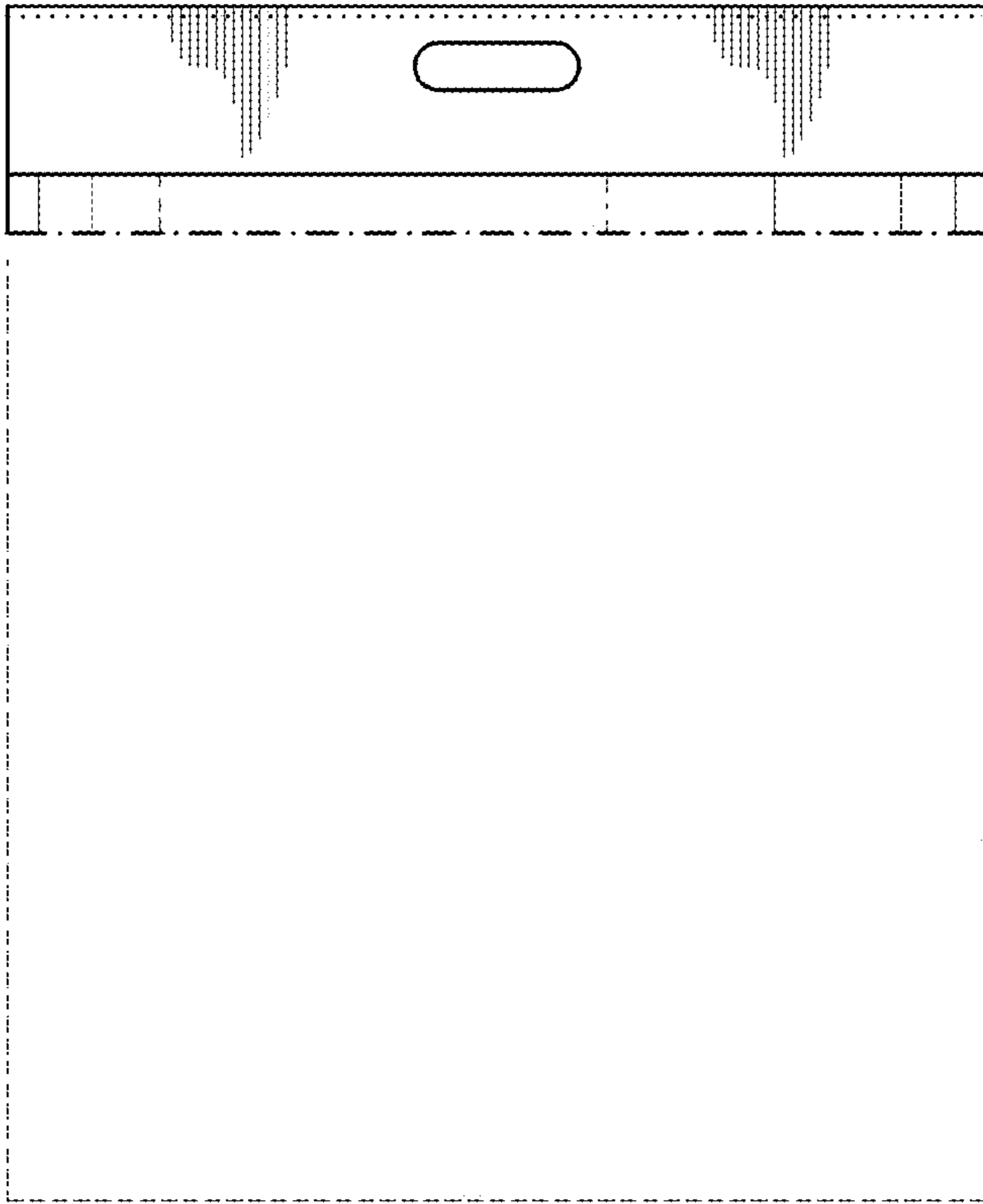


FIG. 7

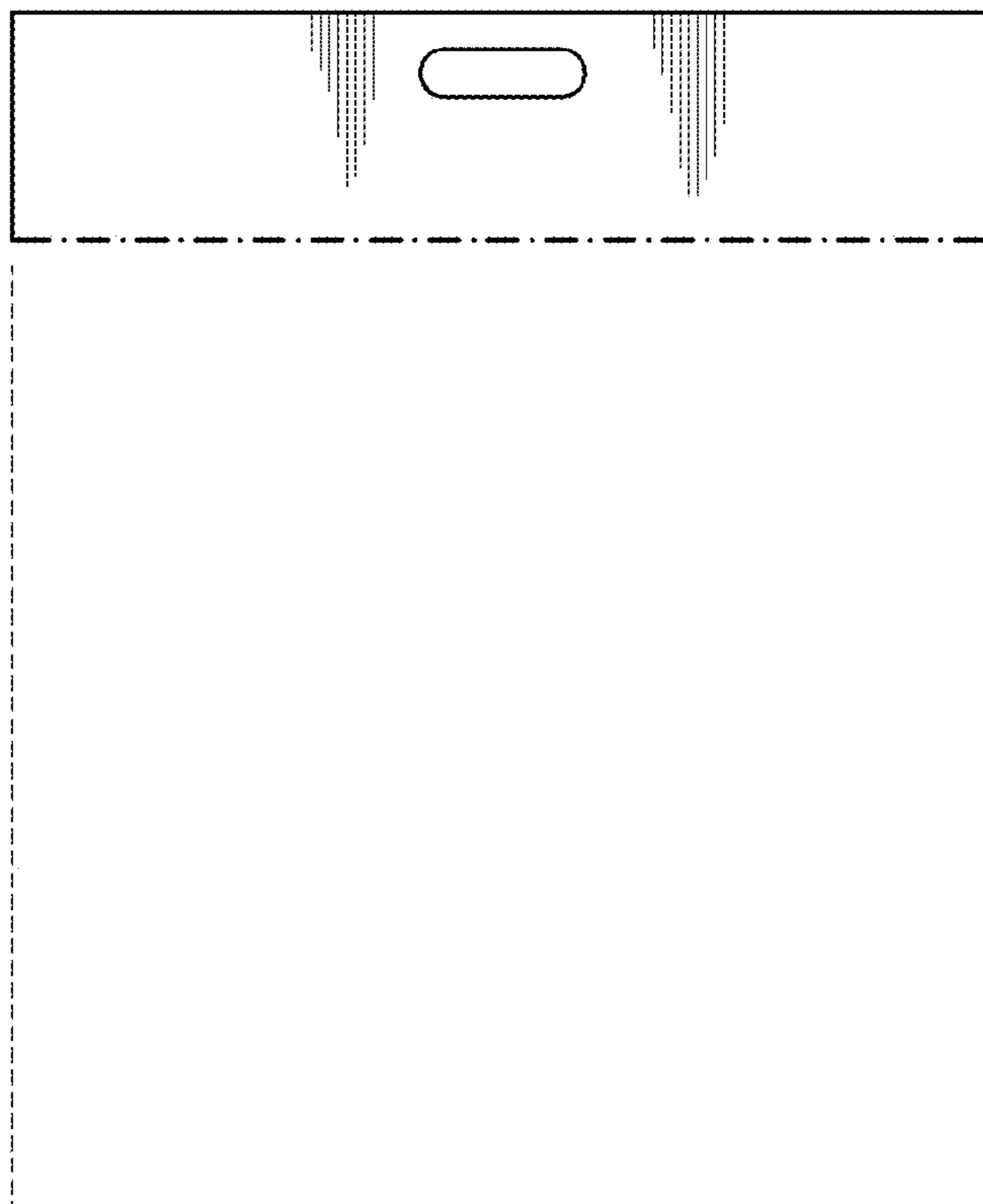


FIG. 8