



US00D968966S

(12) **United States Design Patent** (10) **Patent No.:** **US D968,966 S**
Marotti et al. (45) **Date of Patent:** **** Nov. 8, 2022**

(54) **TOOTHPASTE TUBE**
(71) Applicant: **The Procter & Gamble Company**,
Cincinnati, OH (US)
(72) Inventors: **Martin Jay Marotti**, Carmel, IN (US);
Jennifer Kay Seiser, Cincinnati, OH
(US); **Eric Donald Weller**, Liberty
Township, OH (US)
(73) Assignee: **The Procter & Gamble Company**,
Cincinnati, OH (US)
(**) Term: **15 Years**
(21) Appl. No.: **29/803,012**
(22) Filed: **Aug. 10, 2021**

Related U.S. Application Data

(62) Division of application No. 29/717,328, filed on Dec.
17, 2019, now Pat. No. Des. 933,490.
(51) **LOC (13) Cl.** **09-05**
(52) **U.S. Cl.**
USPC **D9/697**
(58) **Field of Classification Search**
USPC D9/702-714, 695-699, 435, 440, 521,
D9/454, 544, 723-724, 499, 449,
(Continued)

(56) **References Cited**

U.S. PATENT DOCUMENTS

D488,059 S * 4/2004 Mounier D9/697
D727,314 S 4/2015 Fukuoka
(Continued)

OTHER PUBLICATIONS

AliExpress V-Idea Packing—retrieved from the internet on May 17,
2021 at <https://www.aliexpress.com/item/32578041584.html?spm=a2g0s.9042311.0.0.1f864c4d9LR0HP> ;pp. 1 to 4.

(Continued)

Primary Examiner — Abraham Bahta
(74) *Attorney, Agent, or Firm* — Elizabeth A. Conklin

(57) **CLAIM**

The ornamental design for a a toothpaste tube, shown and described.

DESCRIPTION

The file of this patent contains at least one drawing/photo-
graph executed in color. Copies of this patent with color
drawing(s)/photograph(s) will be provided by the Office
upon request and payment of the necessary fee.

FIG. 1 is a perspective elevation view of a toothpaste tube
with a metallic band;

FIG. 2 is a front view thereof;

FIG. 3 is a right side view thereof;

FIG. 4 is a back view thereof;

FIG. 5 is a left side view thereof;

FIG. 6 is a top view thereof; and

FIG. 7 is a bottom view thereof.

FIG. 8 is a perspective elevation view of a toothpaste tube
with a rose gold metallic band;

FIG. 9 is a front view thereof;

FIG. 10 is a right side view thereof;

FIG. 11 is a back view thereof;

FIG. 12 is a left side view thereof;

FIG. 13 is a top view thereof; and

FIG. 14 is a bottom view thereof.

FIG. 15 is a perspective elevation view of a toothpaste tube
with a gold metallic band;

FIG. 16 is a front view thereof;

FIG. 17 is a right side view thereof;

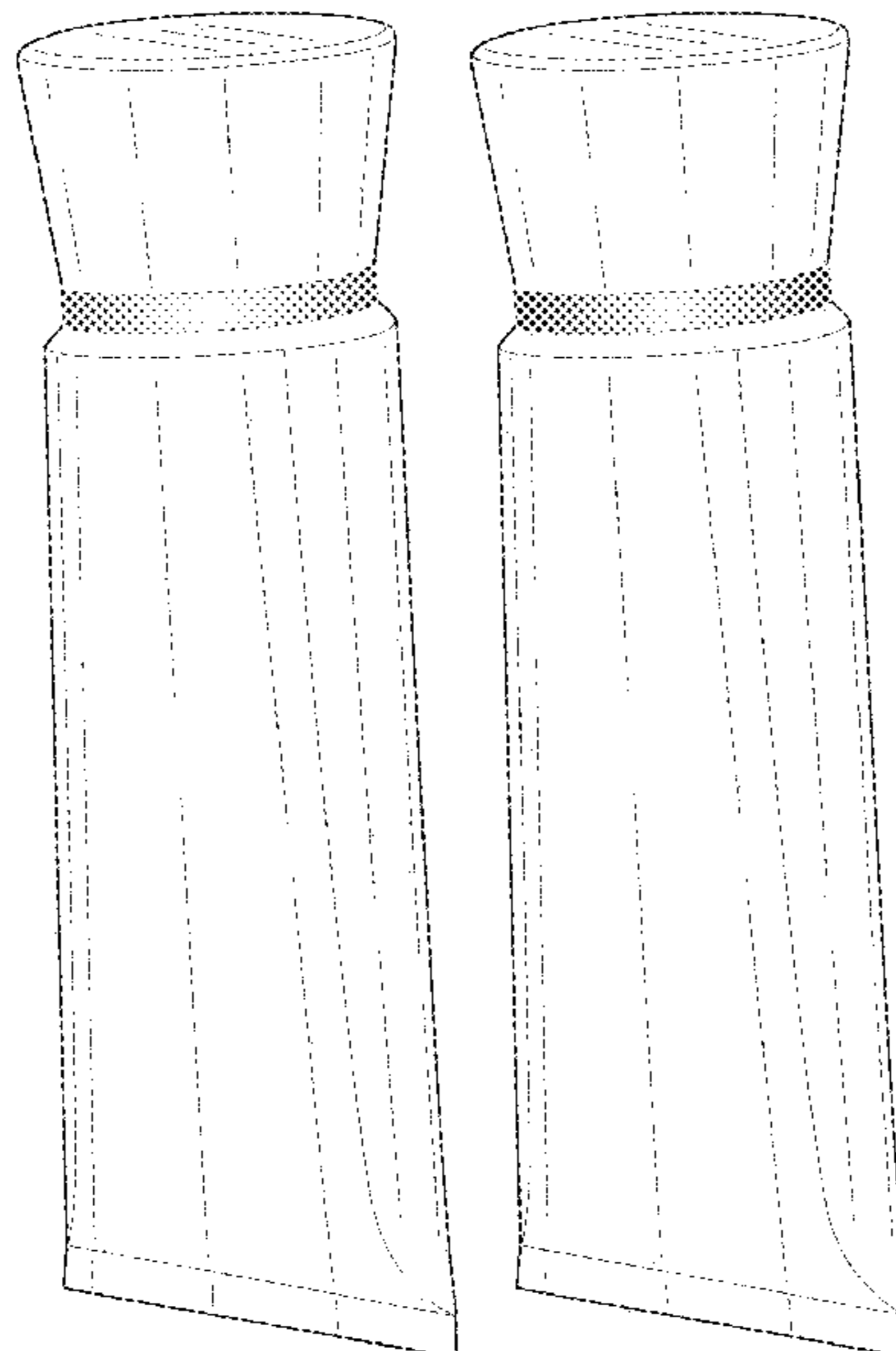
FIG. 18 is a back view thereof;

FIG. 19 is a left side view thereof;

FIG. 20 is a top view thereof; and,

FIG. 21 is a bottom view thereof.

1 Claim, 6 Drawing Sheets
(4 of 6 Drawing Sheet(s) Filed in Color)



(58) **Field of Classification Search**

USPC D9/727-728, 442, 447, 504; 222/92, 96,
222/107, 527-529, 215, 491, 206,
222/212-213, 251, 95, 536; 206/438,
206/822; 220/DIG. 7, 669; 215/321,
215/381, 382, 316, 380; 141/114-115;
D28/91.1, 76-78, 82, 88; D4/114;
D24/114; D7/601-602; D3/202, 205
CPC B65D 35/00; B65D 35/28; B65D 35/02;
B65D 35/04; B65D 35/08; B65D 35/36;
B65D 35/38; B65D 5/00; B65D 5/001;
B65D 5/0227; B65D 5/0254; B65D
5/0045; B65D 5/18; B65D 5/2033; B65D
5/38; B65D 1/32; B65D 1/00; B65D
1/22; B65D 1/24; B65D 1/34; B65D 1/38
See application file for complete search history.

(56) **References Cited**

U.S. PATENT DOCUMENTS

D766,098 S 9/2016 Seo
D856,815 S 8/2019 Rossi

D885,196 S * 5/2020 Matsuishi D9/697
D891,935 S * 8/2020 Lee D9/697
D895,433 S 9/2020 Shiota
D895,434 S * 9/2020 Matsuishi D9/697
D933,490 S * 10/2021 Marotti D9/697
D935,892 S 11/2021 Zaharinov

OTHER PUBLICATIONS

All Office Actions, U.S. Appl. No. 29/774,115.
All Office Actions; U.S. Appl. No. 29/717,328, filed Dec. 17, 2019.
All Office Actions; U.S. Appl. No. 29/803,010, filed Aug. 10, 2021.
All Office Actions; U.S. Appl. No. 29/803,013, filed Aug. 10, 2021.
U.S. Appl. No. 29/774,115, filed Mar. 15, 2021, Martin Jay Marotti
et al.
U.S. Appl. No. 29/803,010, filed Aug. 10, 2021, Martin Jay Marotti
et al..
U.S. Appl. No. 29/803,013, filed Aug. 10, 2021, Martin Jay Marotti
et al.

* cited by examiner

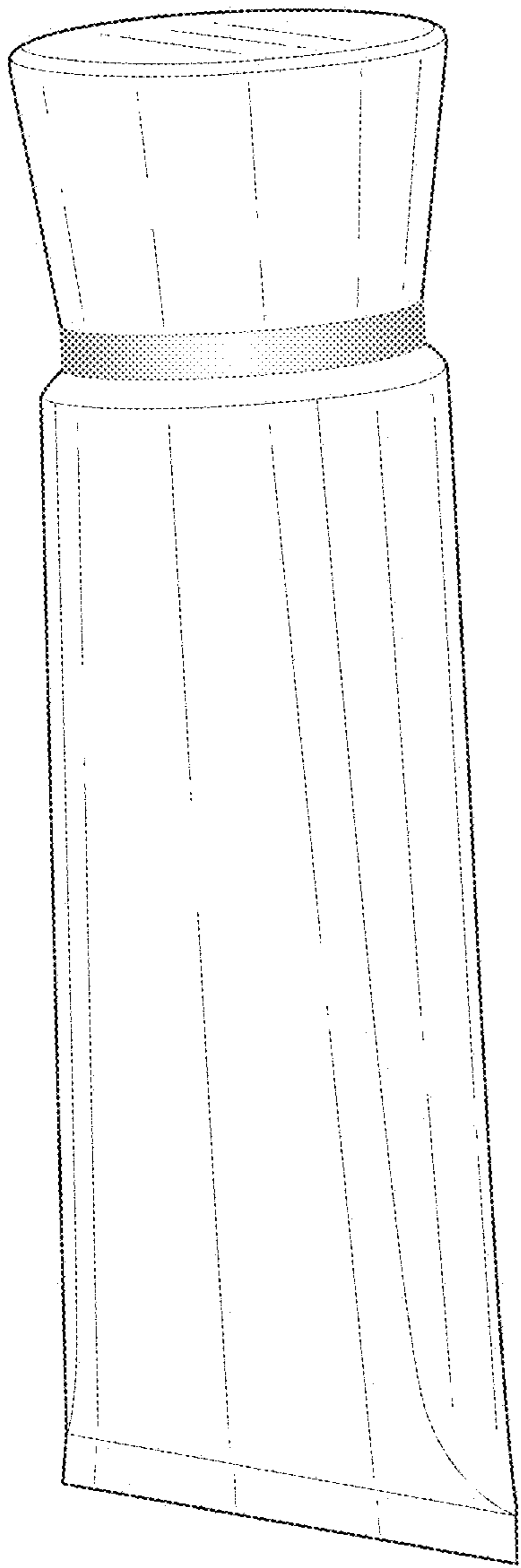


FIG. 1

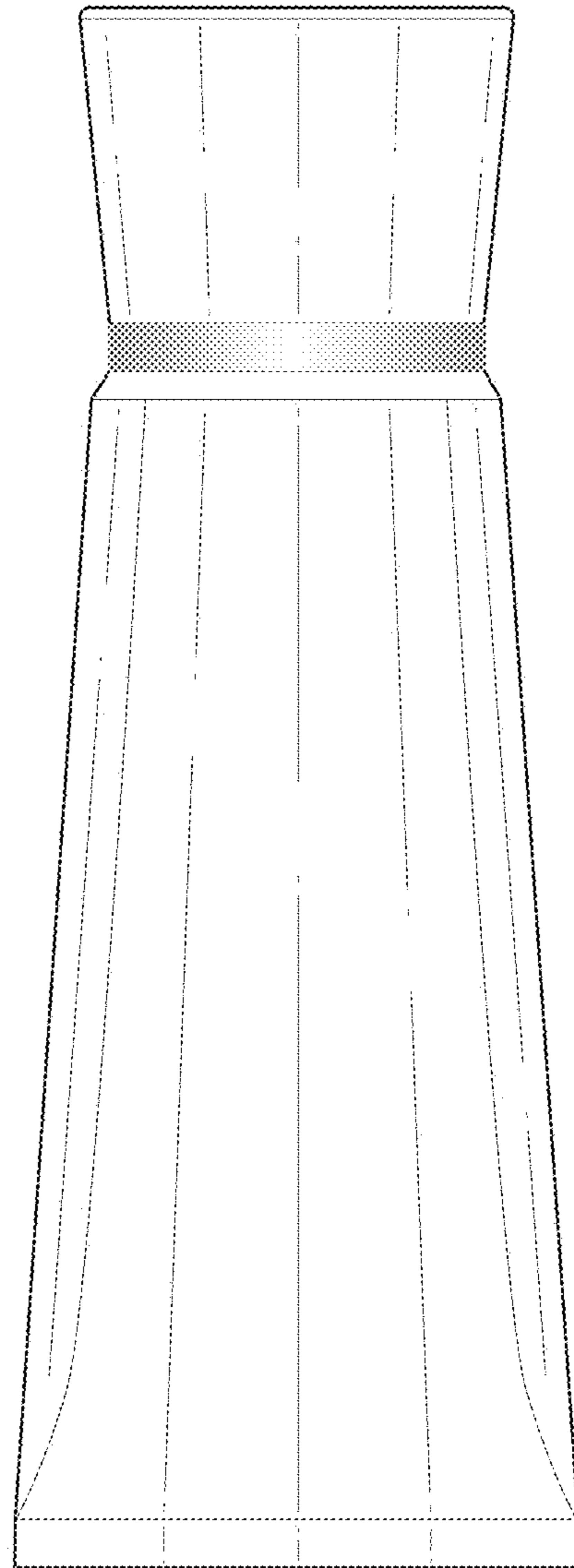


FIG. 2

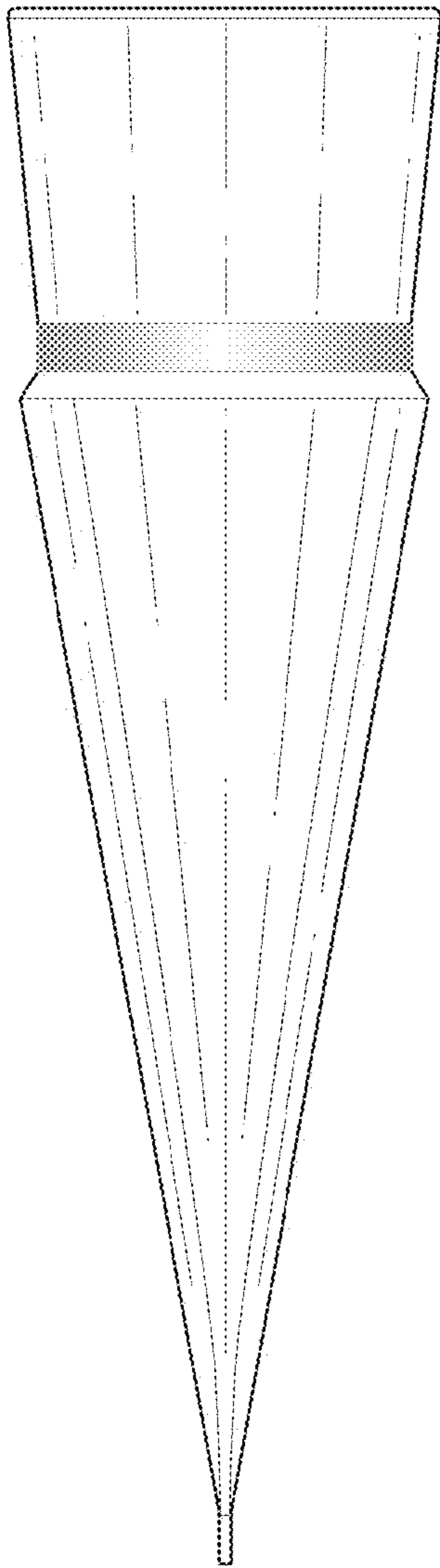


FIG. 3

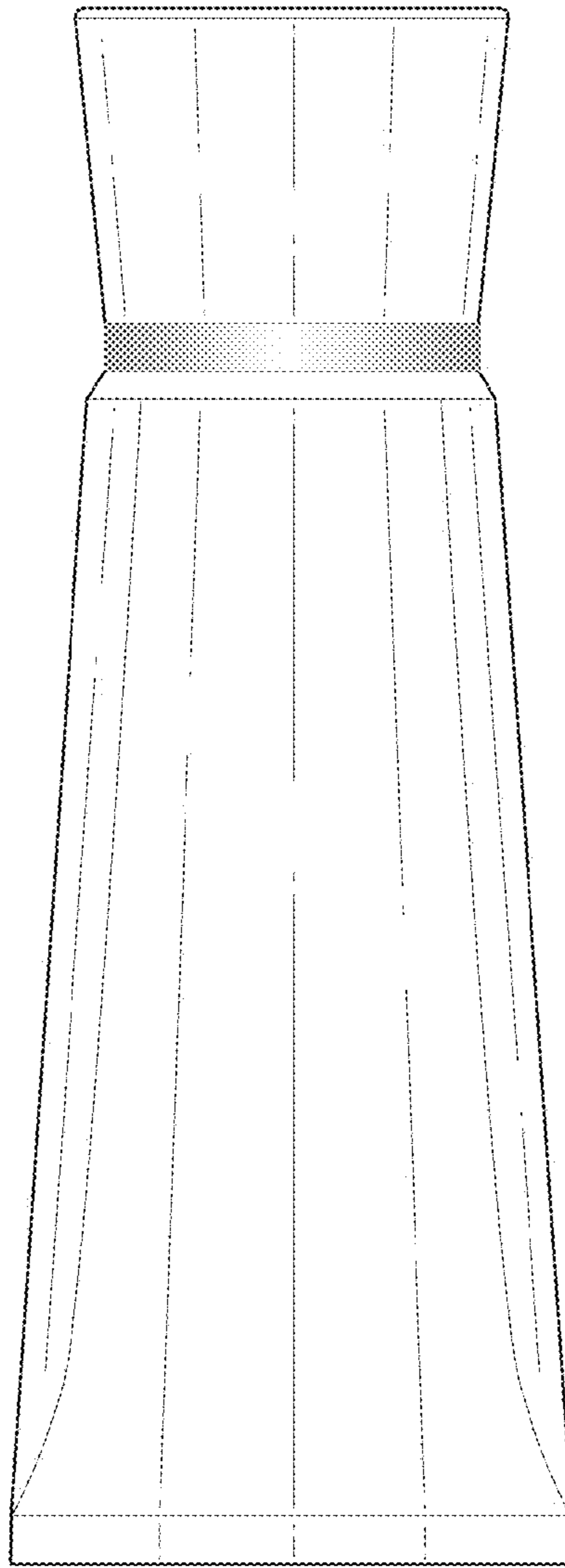


FIG. 4

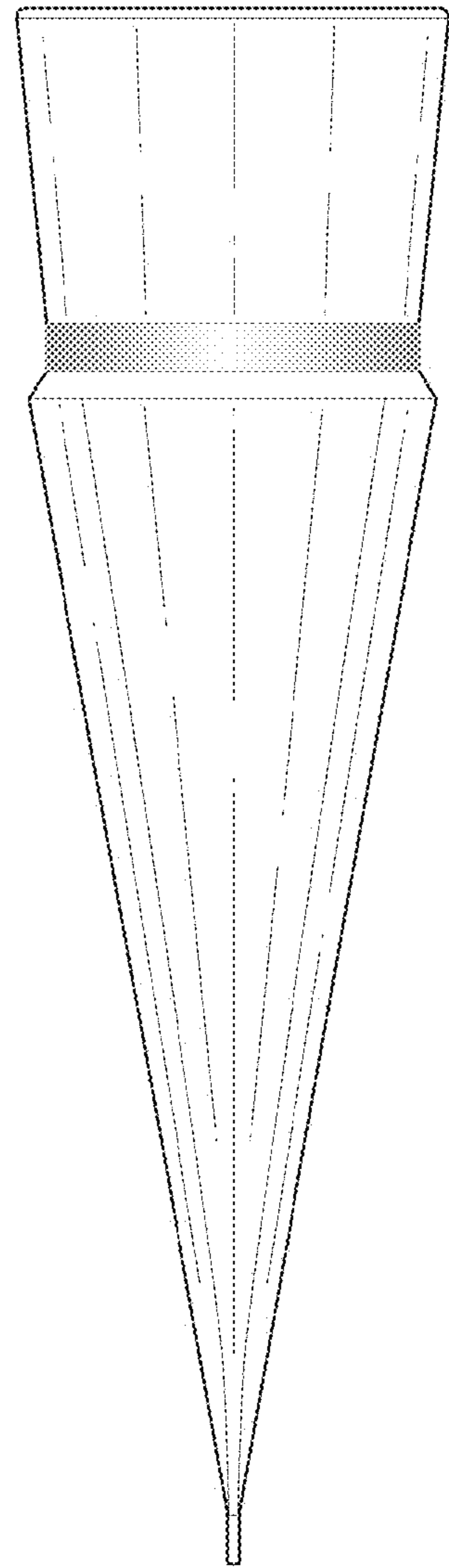


FIG. 5

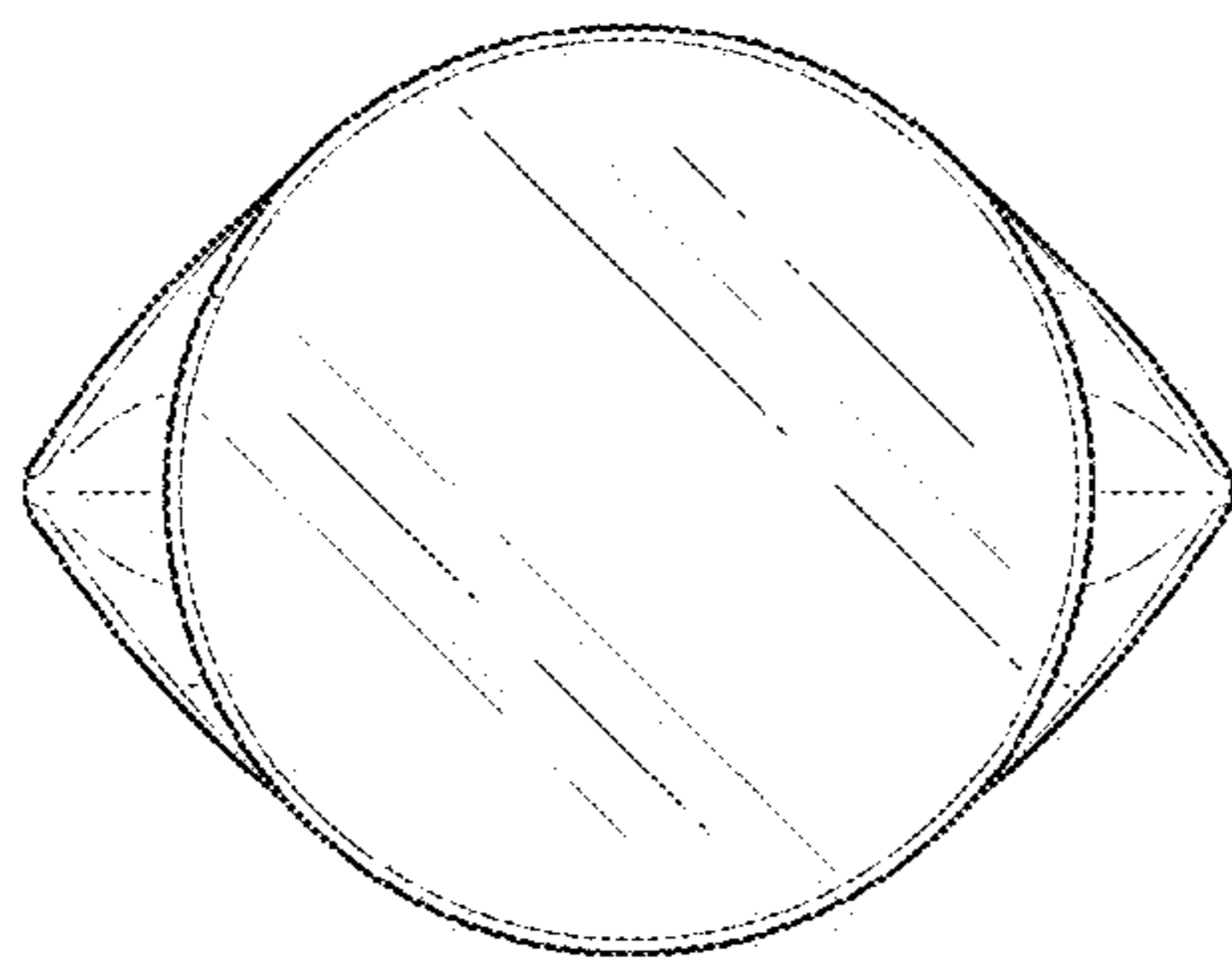


FIG. 6

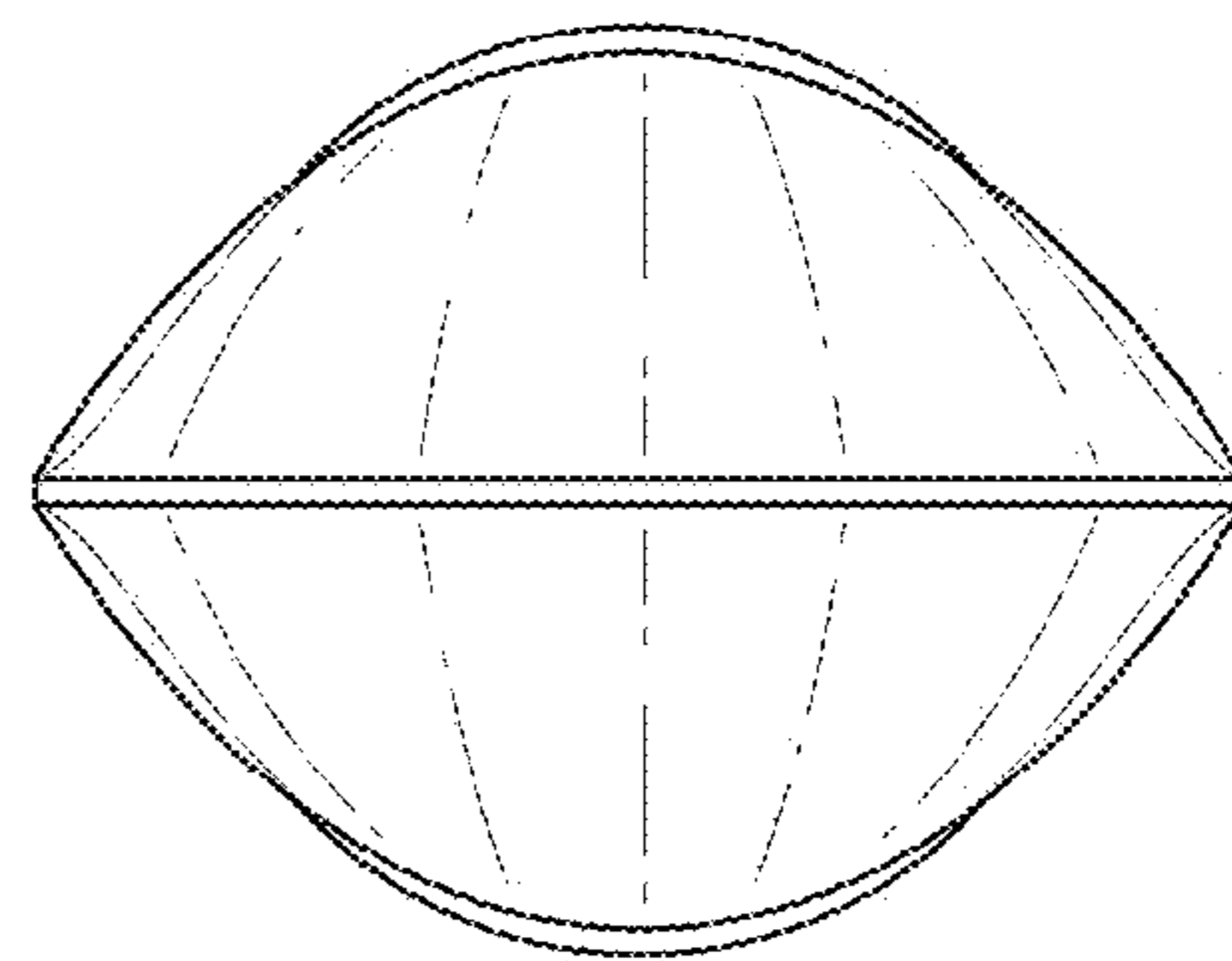


FIG. 7

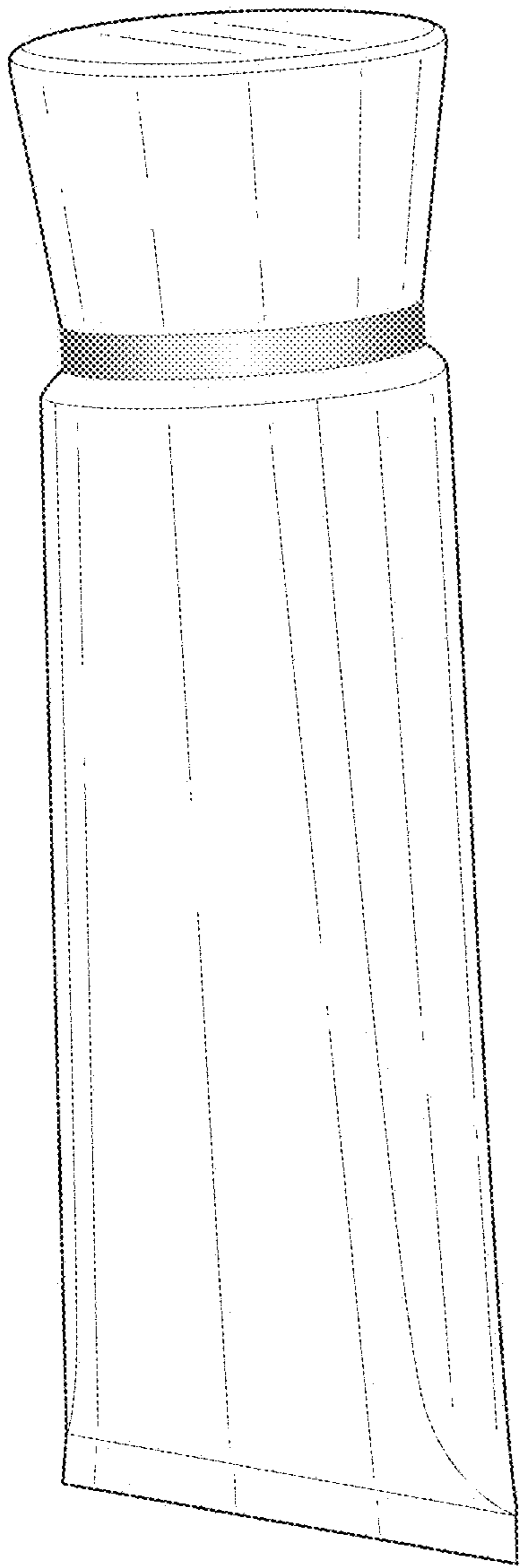


FIG. 8

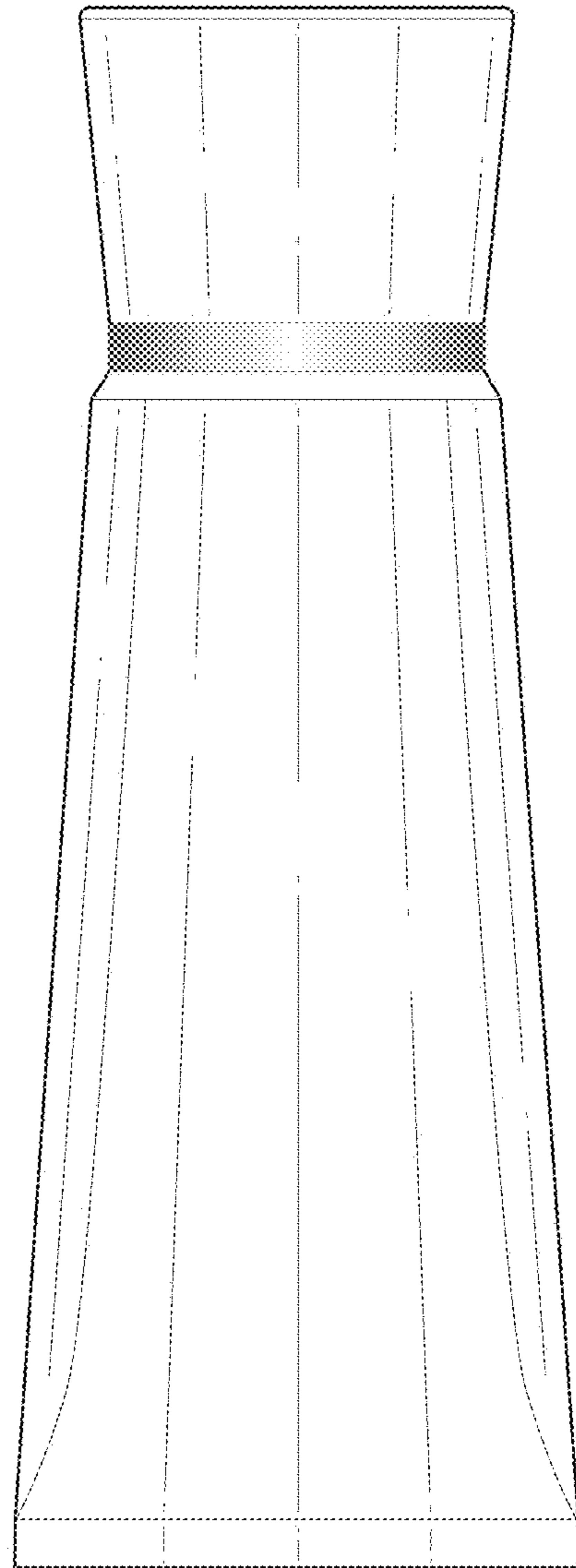


FIG. 9

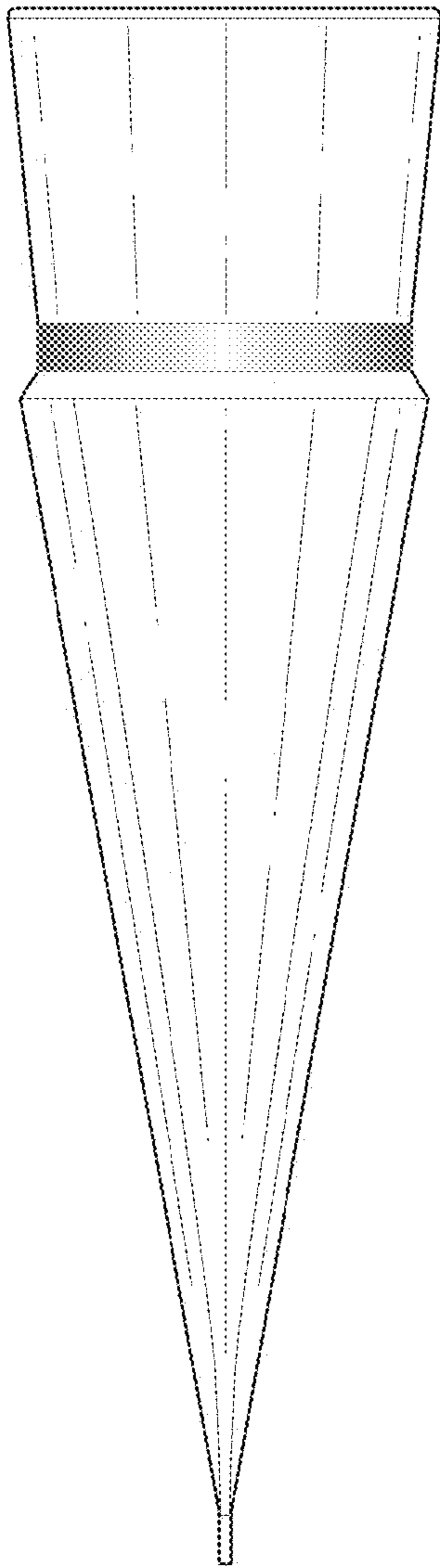


FIG. 10

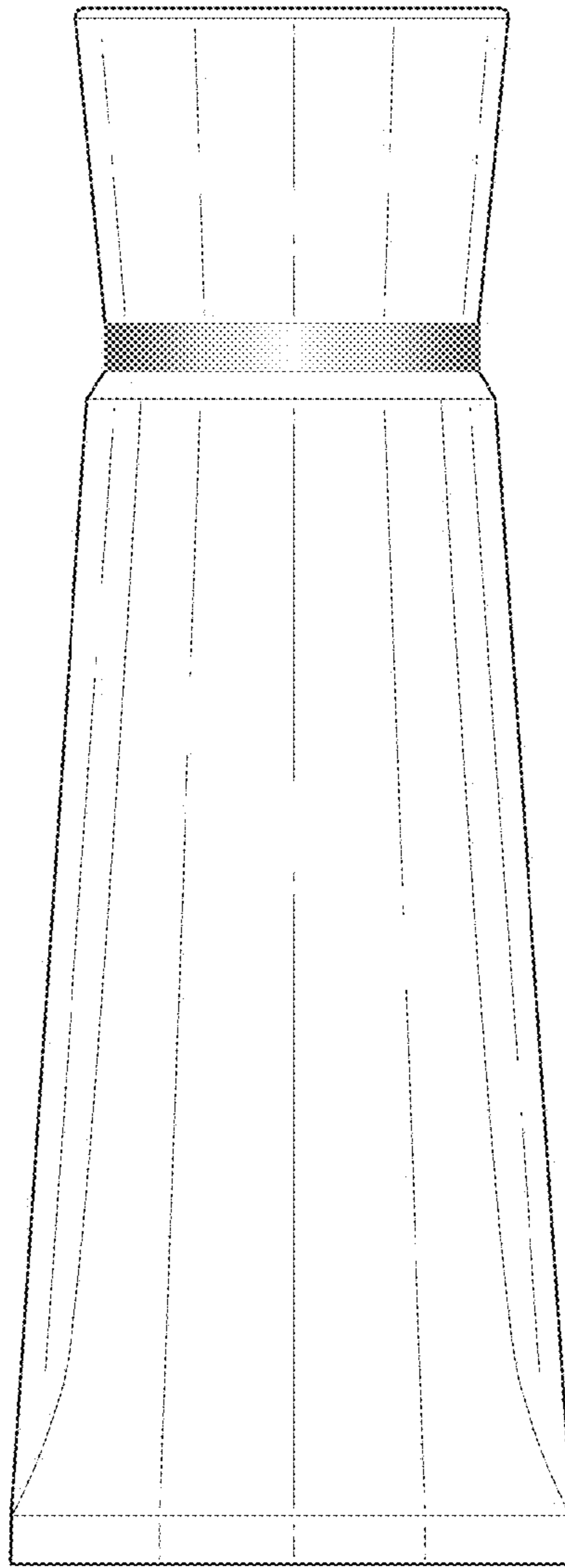


FIG. 11

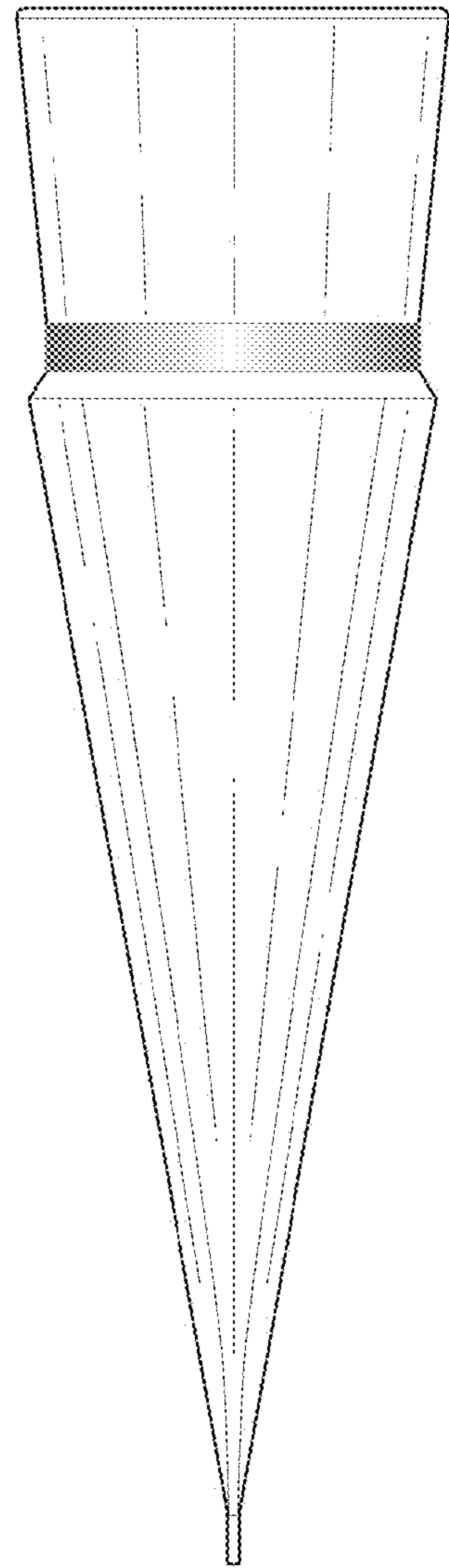


FIG. 12

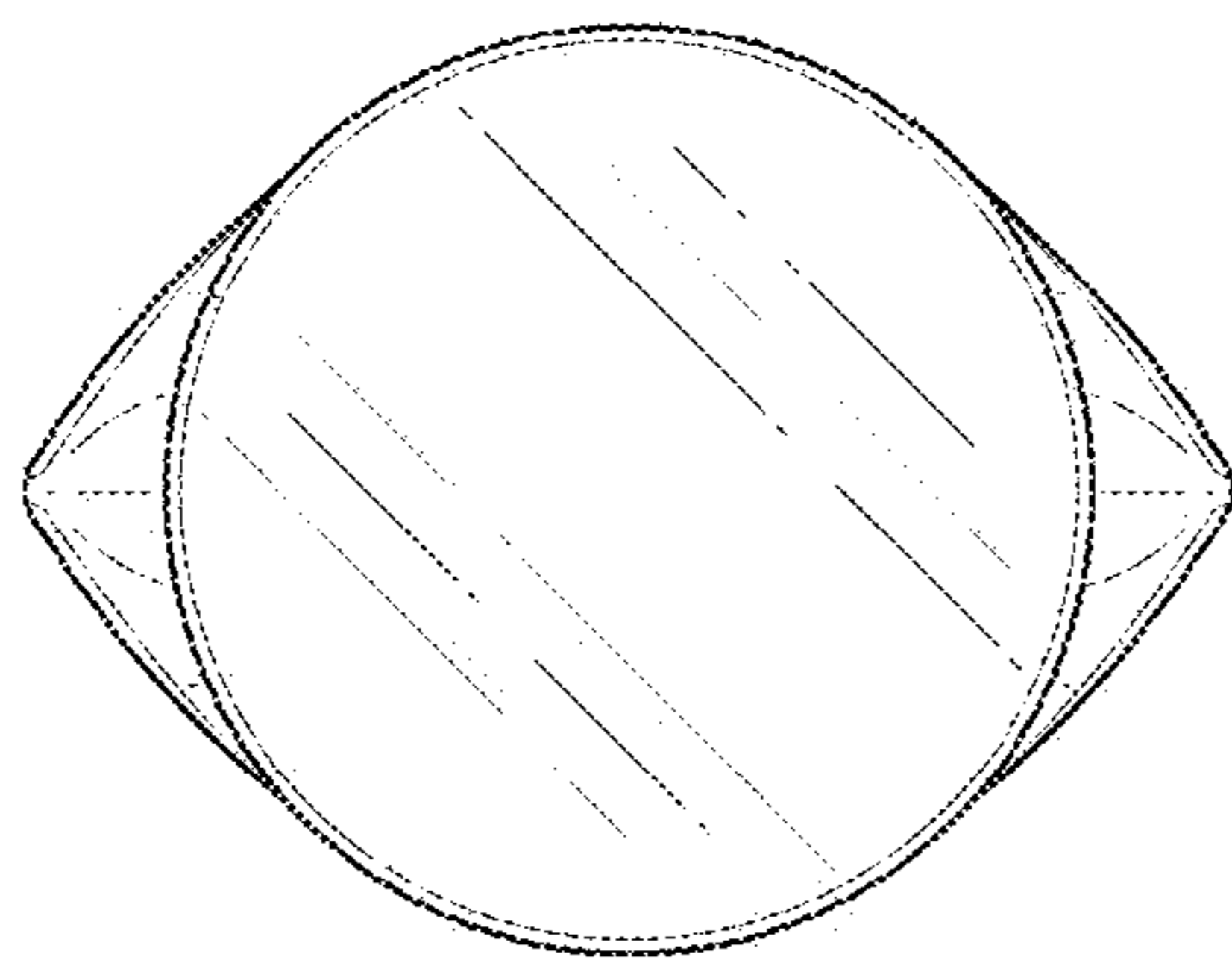


FIG. 13

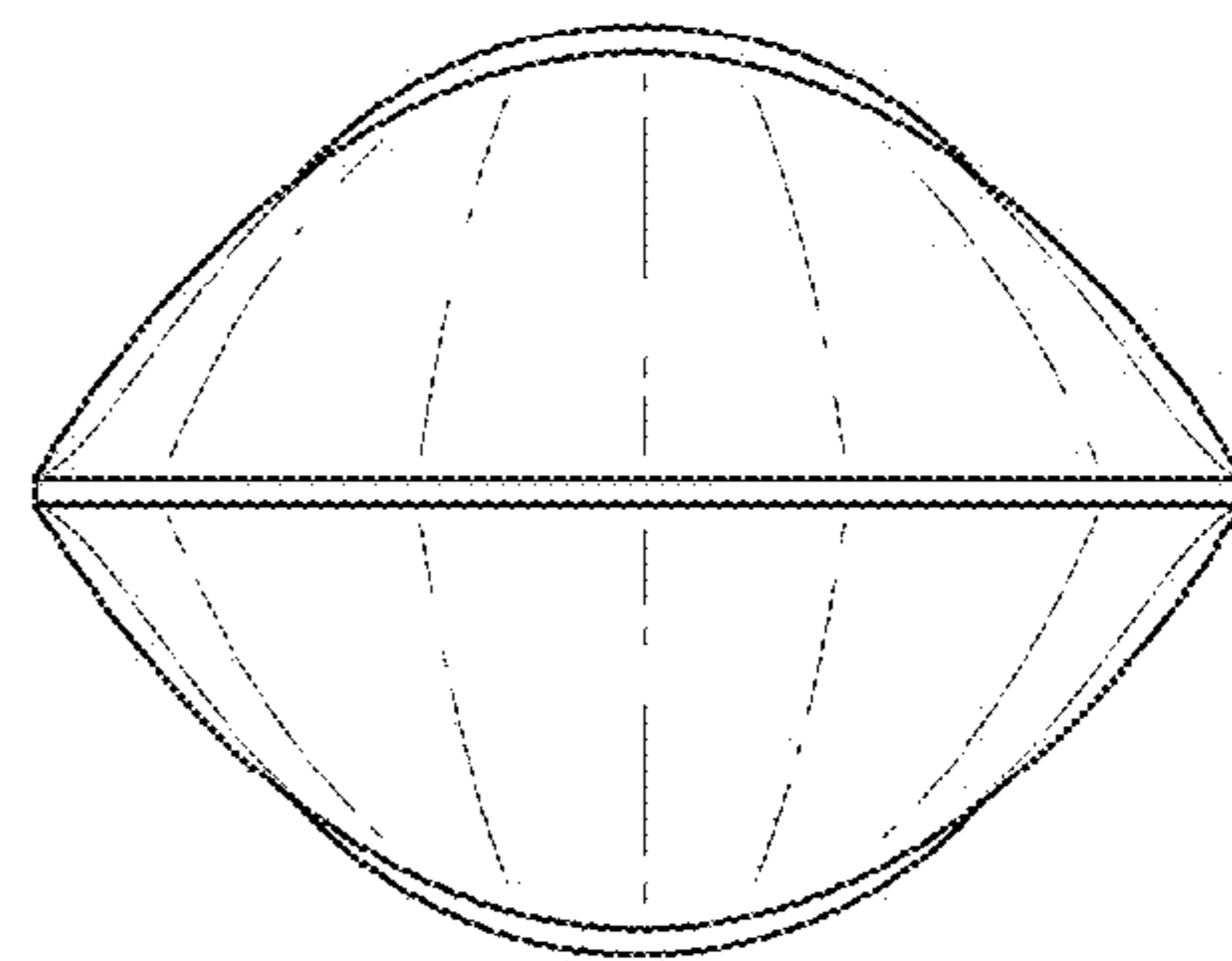


FIG. 14

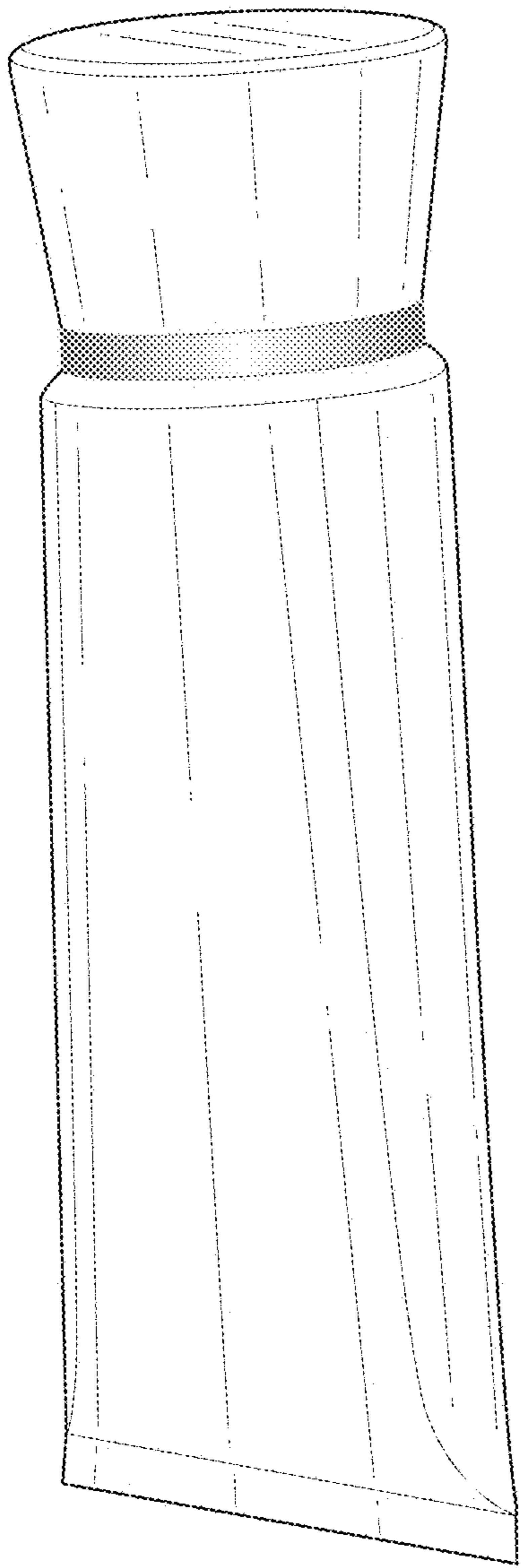


FIG. 15

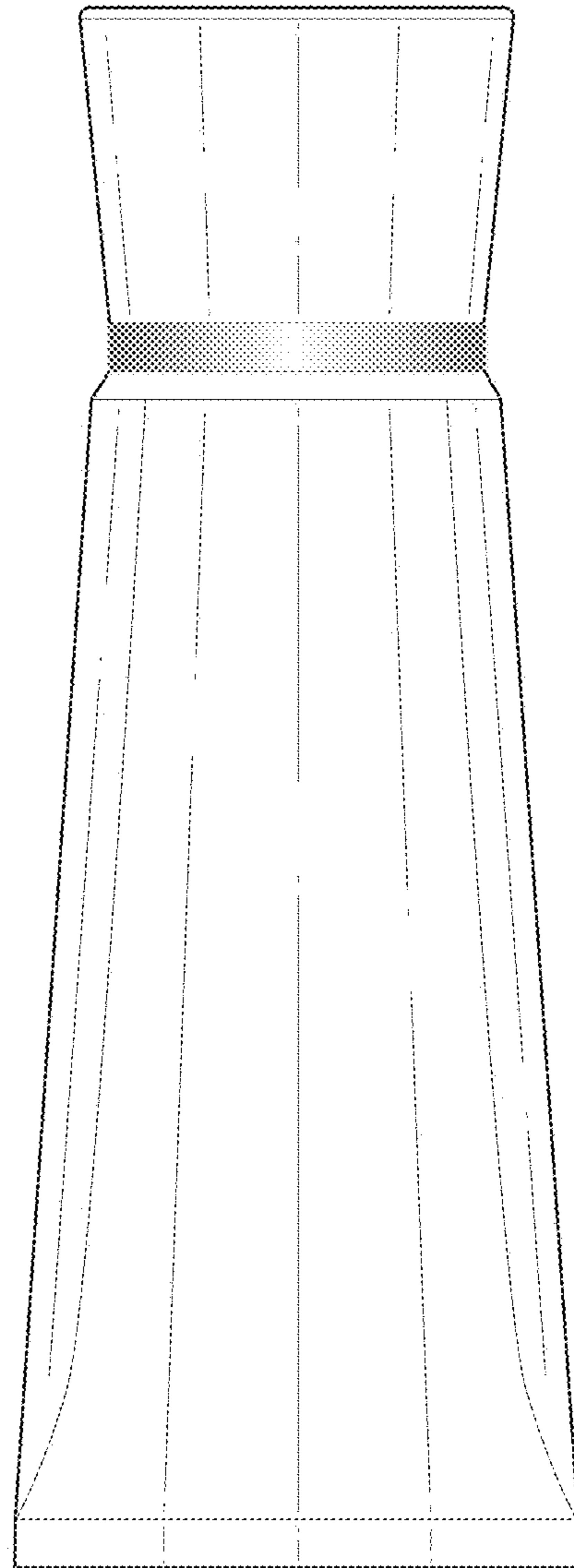


FIG. 16

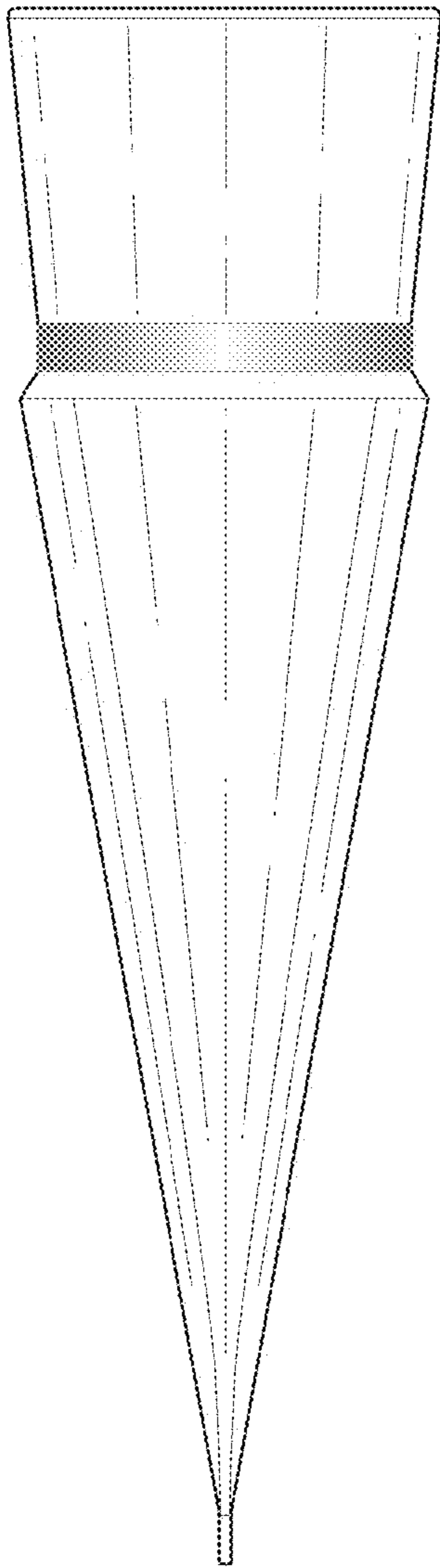


FIG. 17

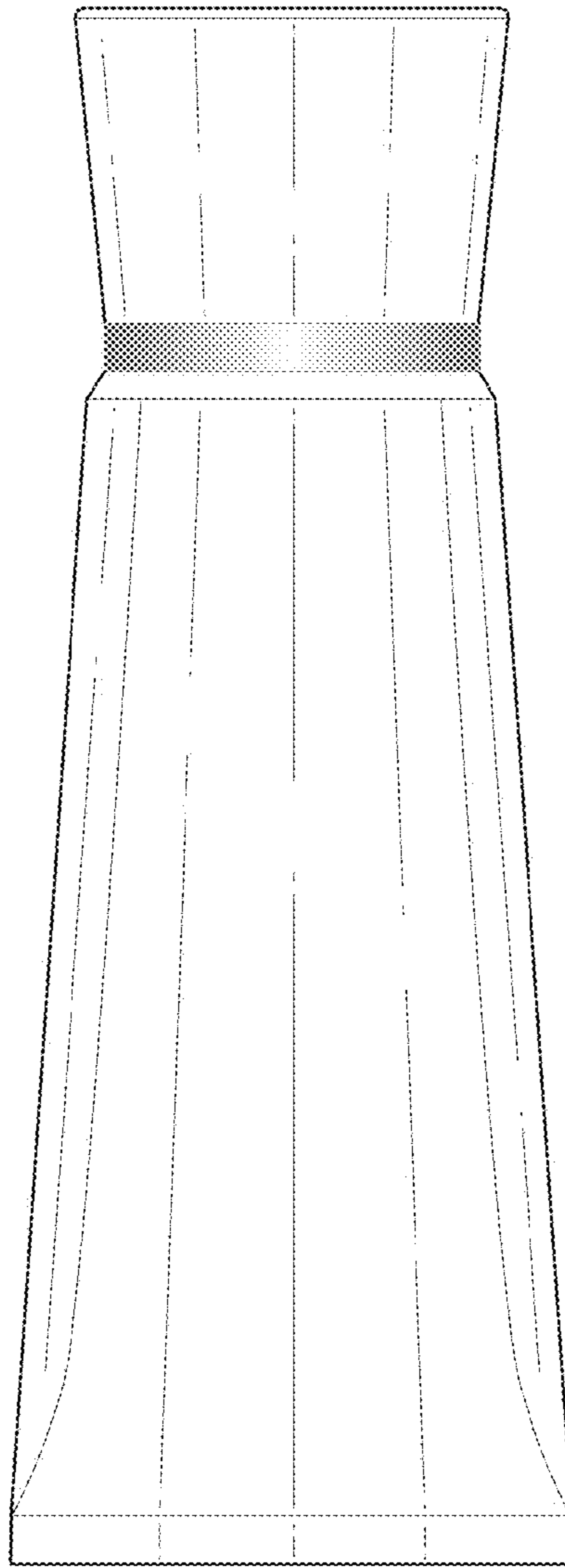


FIG. 18

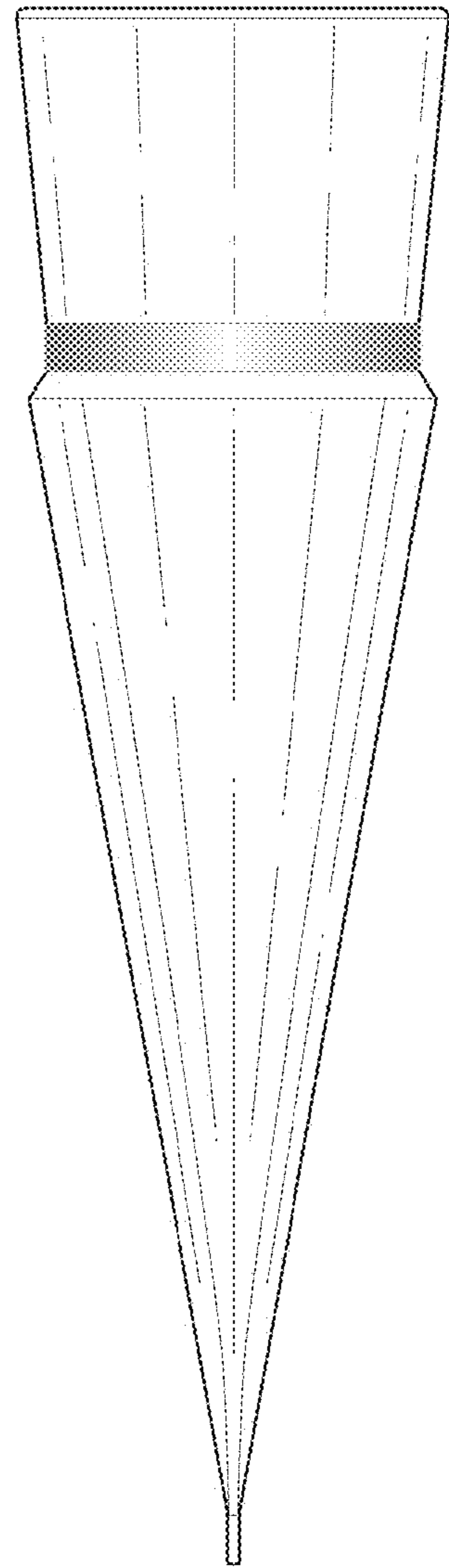


FIG. 19

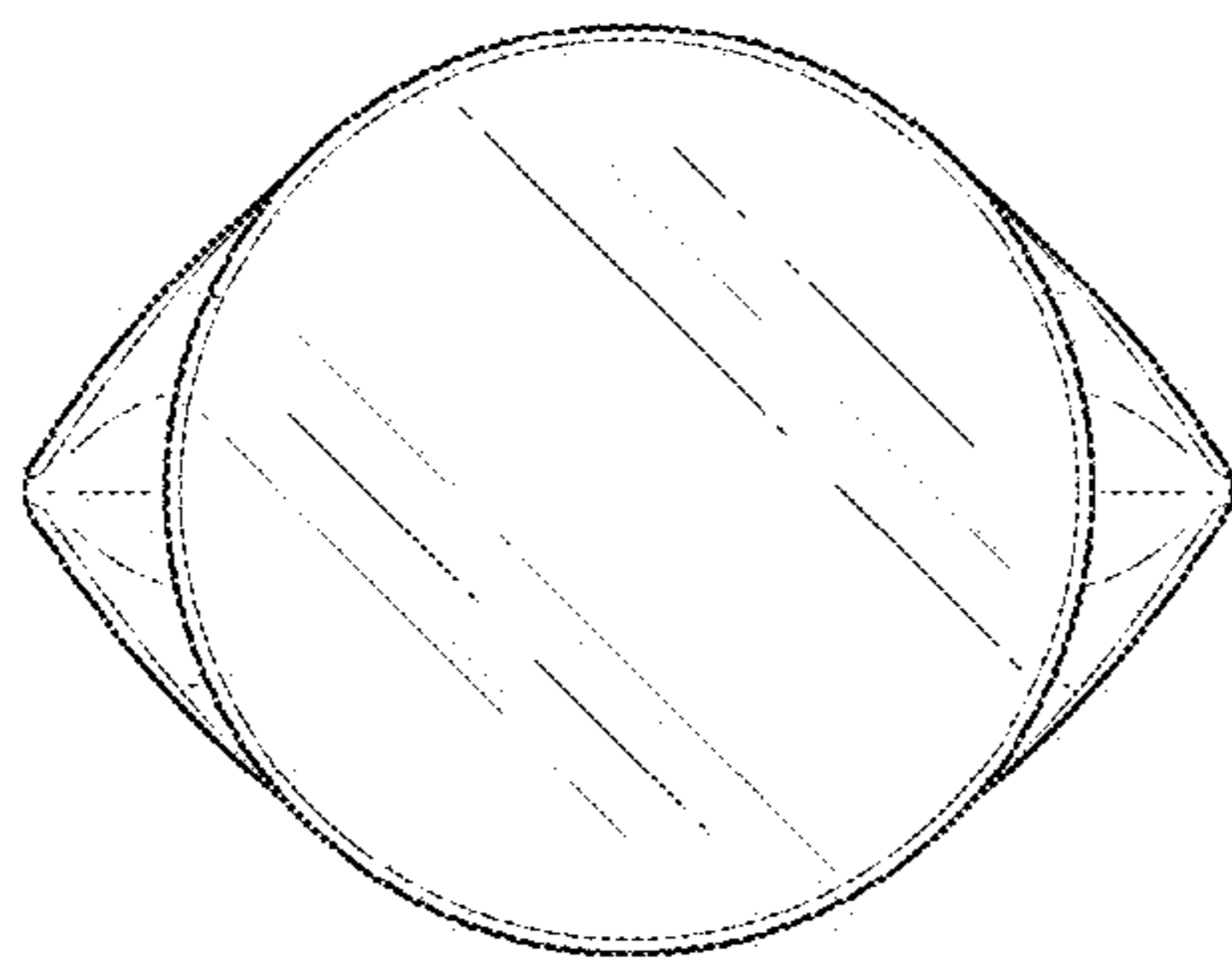


FIG. 20

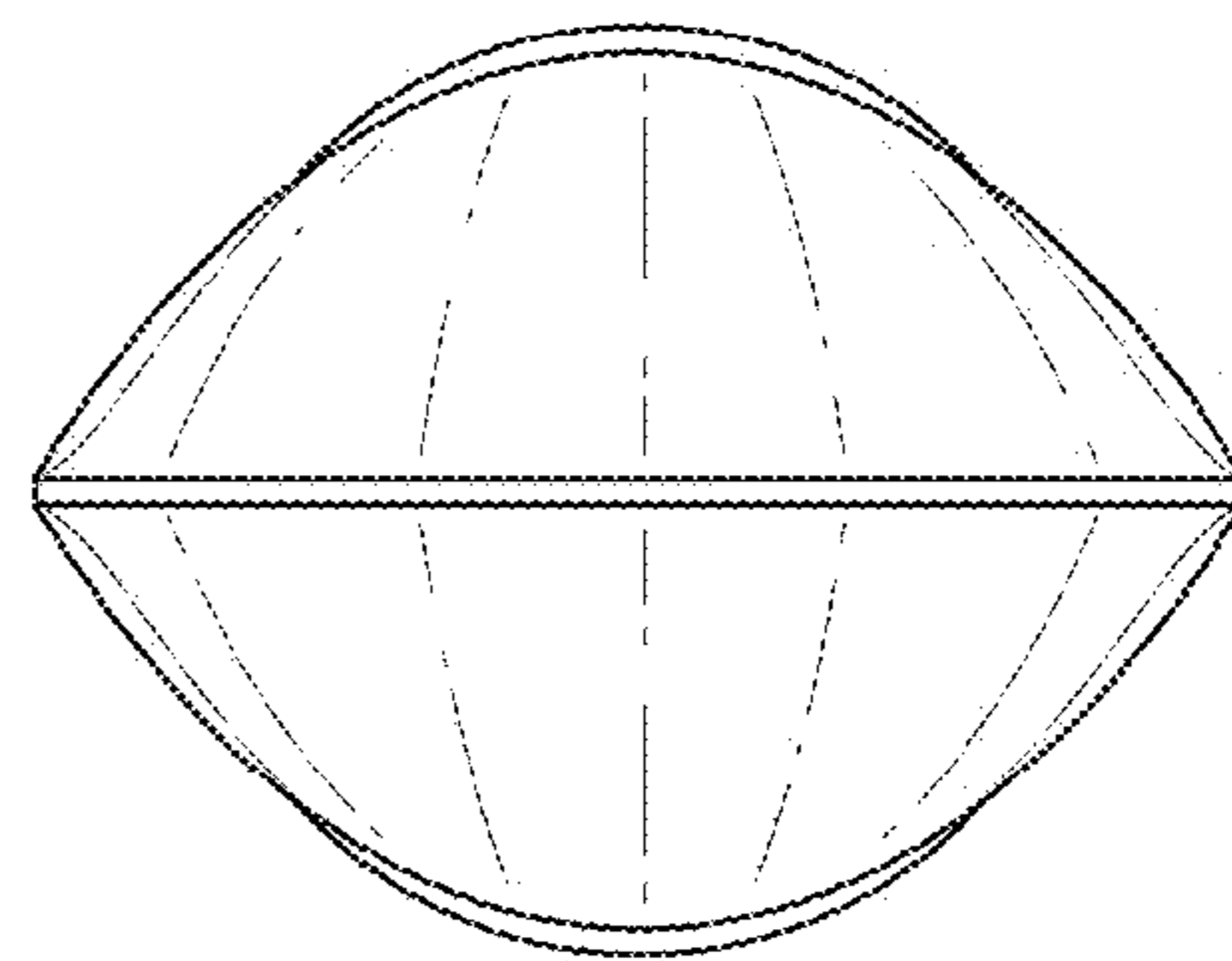


FIG. 21