

US00D968959S

(12) **United States Design Patent** (10) **Patent No.:** **US D968,959 S**
de Leon Capozza et al. (45) **Date of Patent:** **** Nov. 8, 2022**

(54) **BOTTLE**

(56) **References Cited**

(71) Applicant: **PepsiCo, Inc.**, Purchase, NY (US)

U.S. PATENT DOCUMENTS

(72) Inventors: **Mirelle de Leon Capozza**, Newtown, CT (US); **Dmitriy Shmagin**, Palatine, IL (US); **Damien Z. Moyal**, Ypsilanti, MI (US); **John Siciliano**, Dexter, MI (US); **James M. Stelzer**, South Lyon, MI (US)

D629,305 S	12/2010	Arnell et al.	
D642,471 S	8/2011	White et al.	
D644,930 S	9/2011	White et al.	
D653,951 S *	2/2012	Scott	D9/502
D655,176 S	3/2012	Kraft et al.	
D655,179 S	3/2012	Kraft et al.	
D655,180 S	3/2012	Kraft et al.	
D682,700 S	5/2013	White et al.	
D746,685 S *	1/2016	Foley	D9/503
D746,688 S *	1/2016	Yourist	D9/502
D796,957 S	9/2017	Joshi et al.	
D805,902 S *	12/2017	Warner	D9/502
9,969,520 B2 *	5/2018	Gill	B65D 1/02
D829,556 S	10/2018	Cartis et al.	
D845,772 S *	4/2019	Hall	D9/502
D871,219 S *	12/2019	Mastny	D9/502

(73) Assignee: **PepsiCo, Inc.**, Purchase, NY (US)

(**) Term: **15 Years**

(21) Appl. No.: **29/794,419**

(22) Filed: **Jun. 11, 2021**

(51) **LOC (13) Cl.** **09-03**

(52) **U.S. Cl.**
USPC **D9/502**

(58) **Field of Classification Search**
USPC D9/453, 500, 501, 502, 503, 504, 505, D9/516, 537, 538, 539, 540, 541, 542, D9/543, 544, 545, 549, 551, 552, 555, D9/556, 560, 567, 568, 569, 573, 574, D9/575, 715, 719, 738; D7/300, 300.1, D7/509, 510, 511, 523, 608; D11/143, D11/152
CPC B21D 22/28; B21D 51/26; B21D 51/2615; B29C 49/54; B65D 1/00; B65D 1/02; B65D 1/0207; B65D 1/0276; B65D 1/0223; B65D 1/023; B65D 1/0246; B65D 1/40; B65D 23/00; B65D 23/102; B65D 41/04; B65D 79/0084; B65D 81/00; B65D 2501/00; B65D 2501/0009; B65D 2501/0081; F25D 3/08; Y10S 215/00; Y10S 264/918

See application file for complete search history.

(Continued)

Primary Examiner — Andrew Kerr

Assistant Examiner — Chariton Alexakis

(74) *Attorney, Agent, or Firm* — Sterne, Kessler, Goldstein & Fox P.L.L.C.

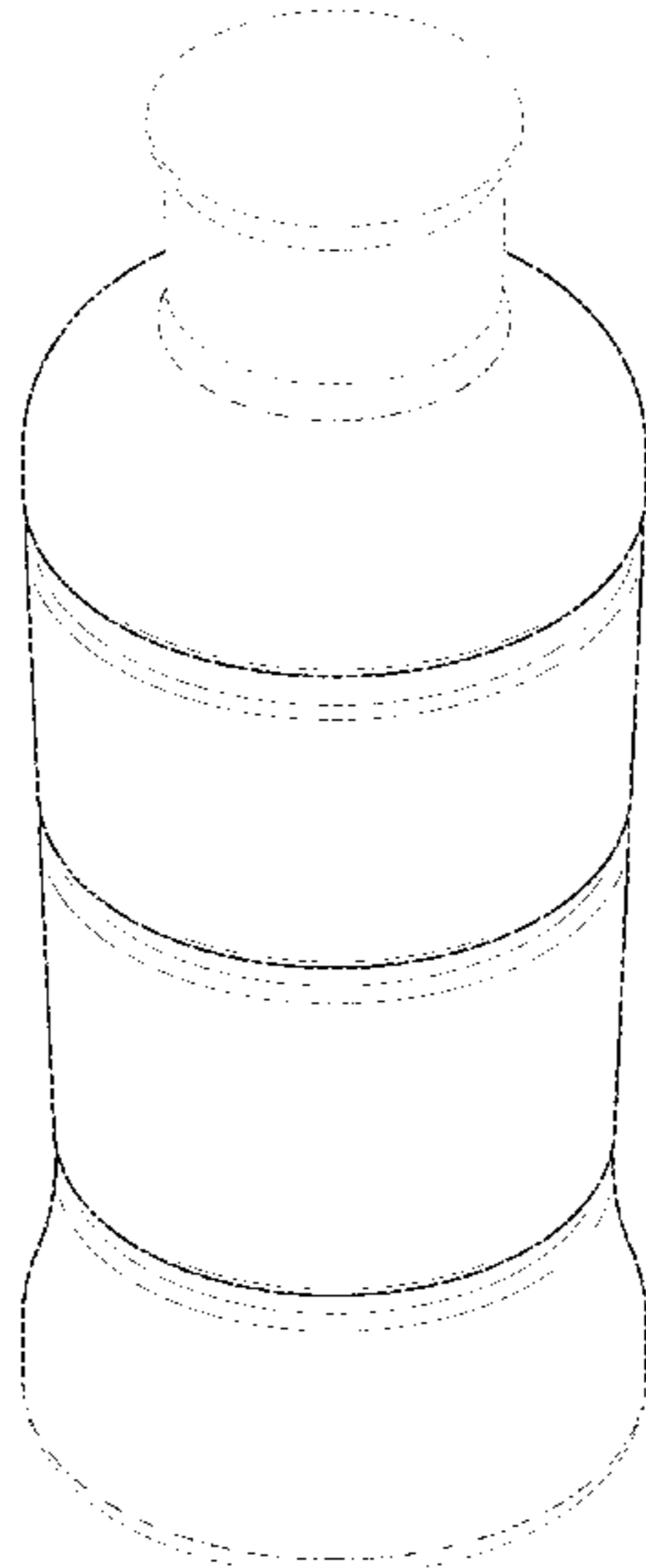
(57) **CLAIM**

The ornamental design for a bottle, as shown and described.

DESCRIPTION

FIG. 1 is a top perspective view of a bottle showing the claimed design;
FIG. 2 is a bottom perspective view thereof;
FIG. 3 is a front view thereof;
FIG. 4 is a rear view thereof;
FIG. 5 is a left side view thereof;
FIG. 6 is a right side view thereof;
FIG. 7 is a top view thereof; and,
FIG. 8 is a bottom view thereof.
The dashed broken lines in the figures show portions of the bottle that form no part of the claimed design.
The dot-dash broken lines in the figures show boundaries that form no part of the claimed design.

1 Claim, 7 Drawing Sheets



(56)

References Cited

U.S. PATENT DOCUMENTS

D878,211 S 3/2020 Dutra et al.
D887,271 S * 6/2020 Hu D9/500
D889,264 S * 7/2020 Cartis D9/500
D913,098 S * 3/2021 Cavanaugh D9/502
11,117,701 B2 * 9/2021 Heisner B65D 1/0207
D932,301 S * 10/2021 Takaddus B65D 41/02
D9/516
D932,897 S * 10/2021 Moyal C03C 4/18
D9/557
D937,679 S * 12/2021 Severn B65D 1/0207
D9/500
2020/0316446 A1 * 10/2020 Marino B65D 41/02
2020/0391898 A1 * 12/2020 Antipin C03C 4/18

* cited by examiner

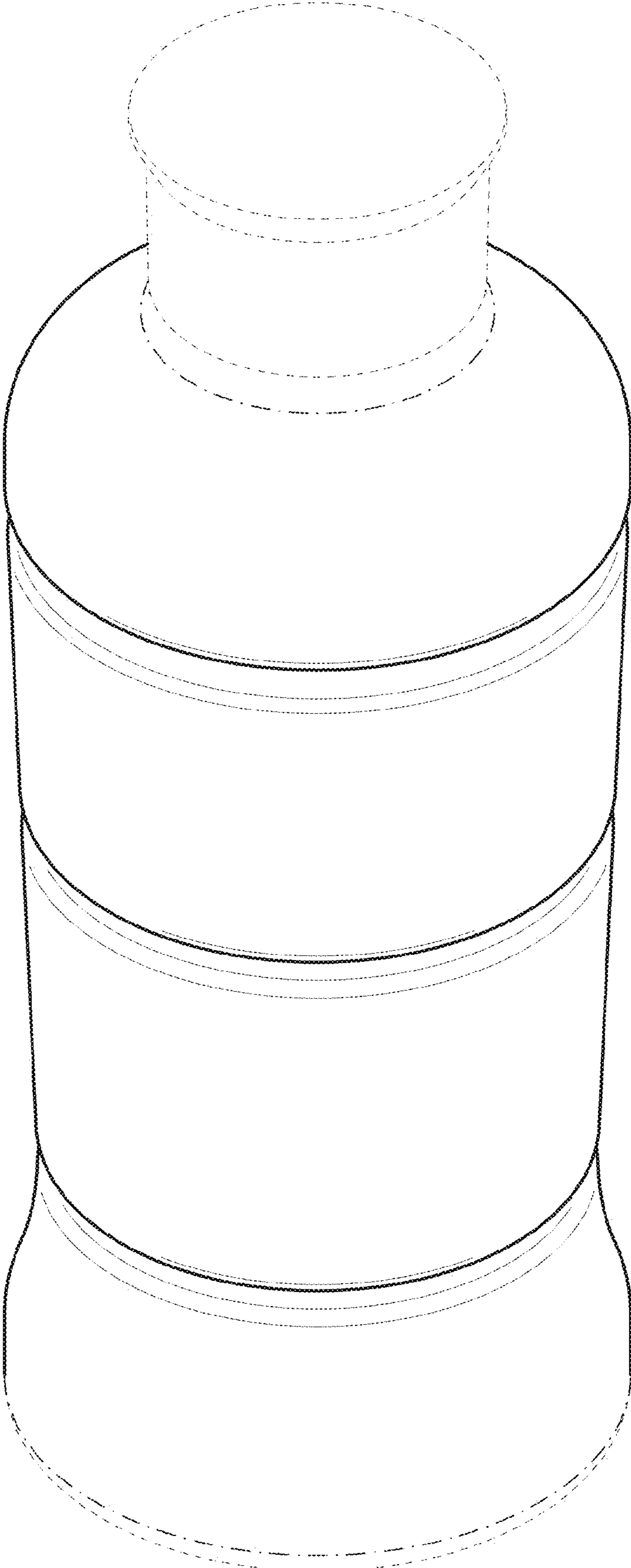


FIG. 1

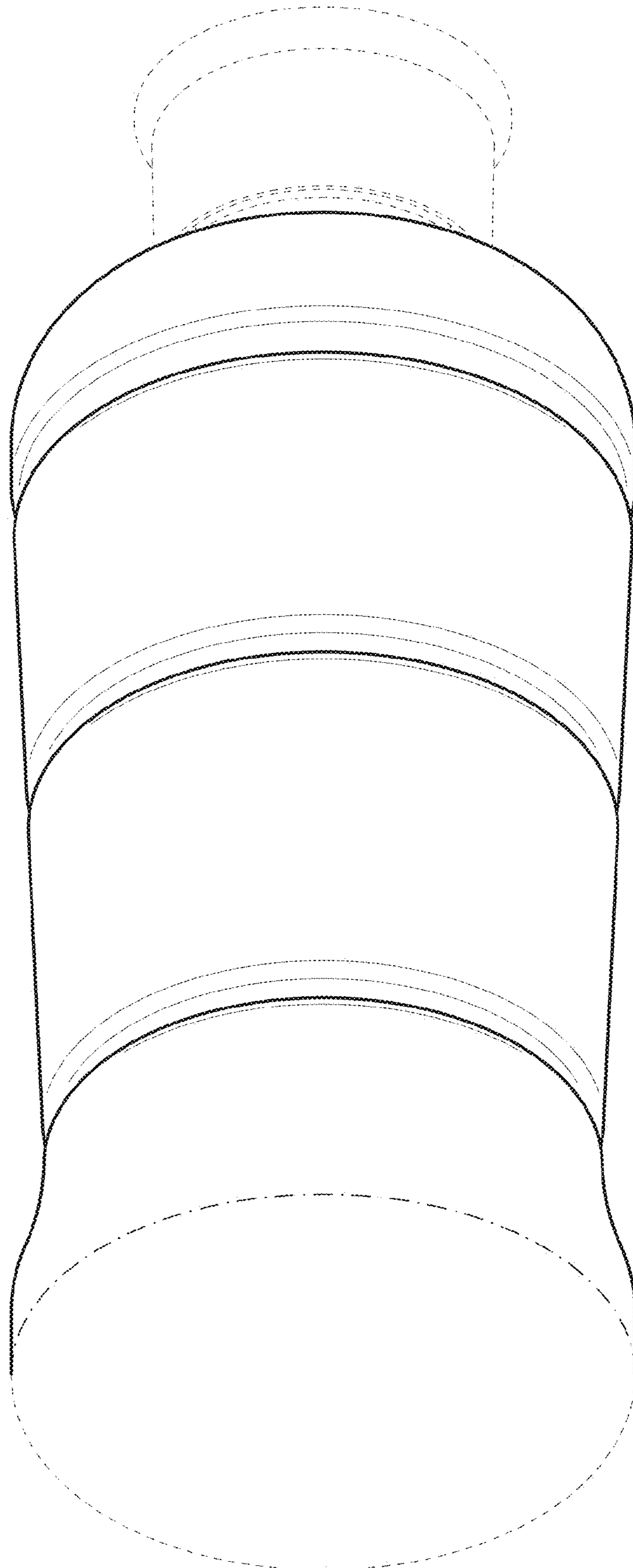


FIG.2

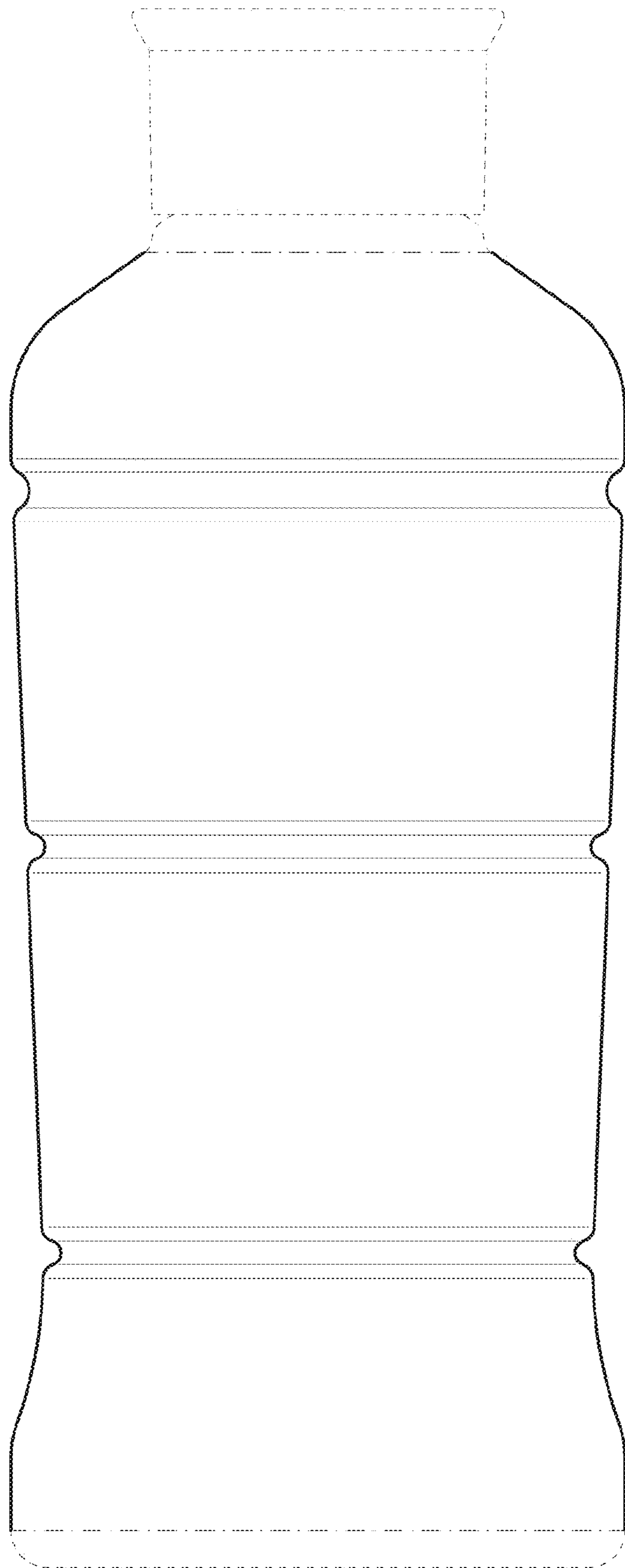


FIG. 3

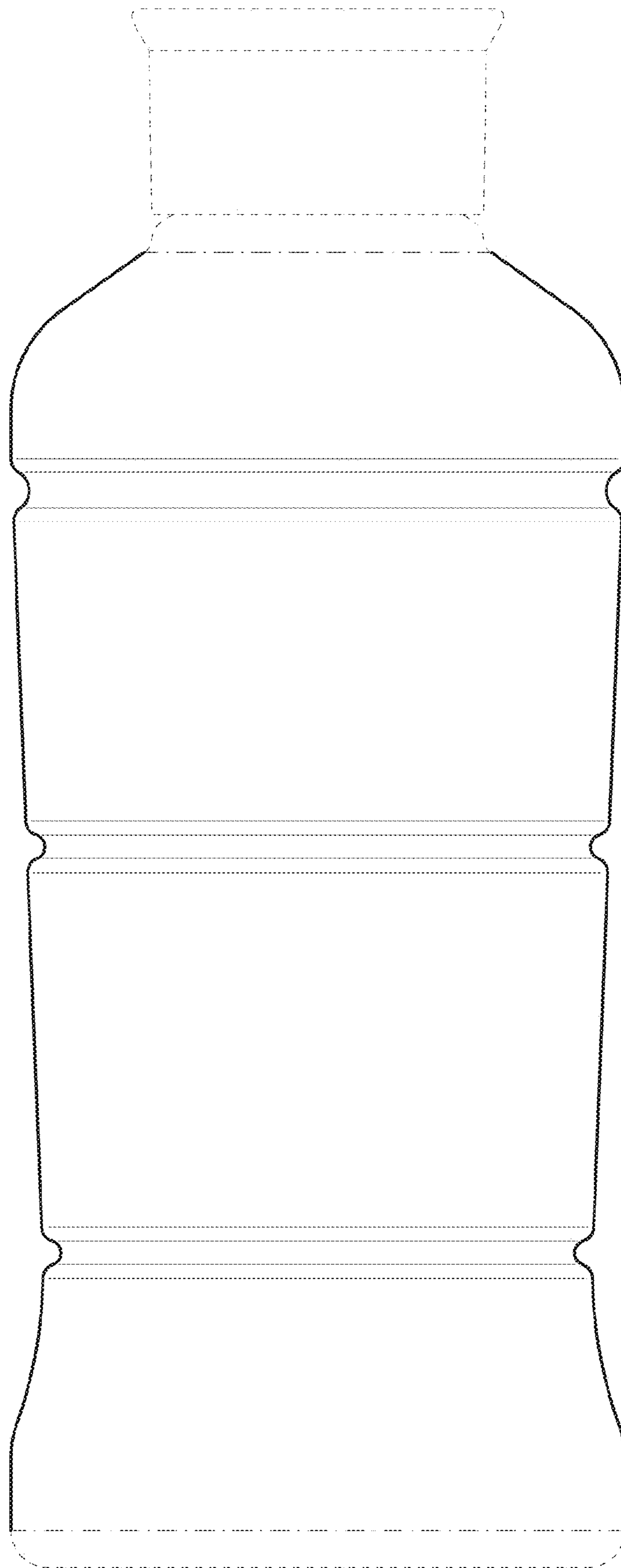


FIG. 4

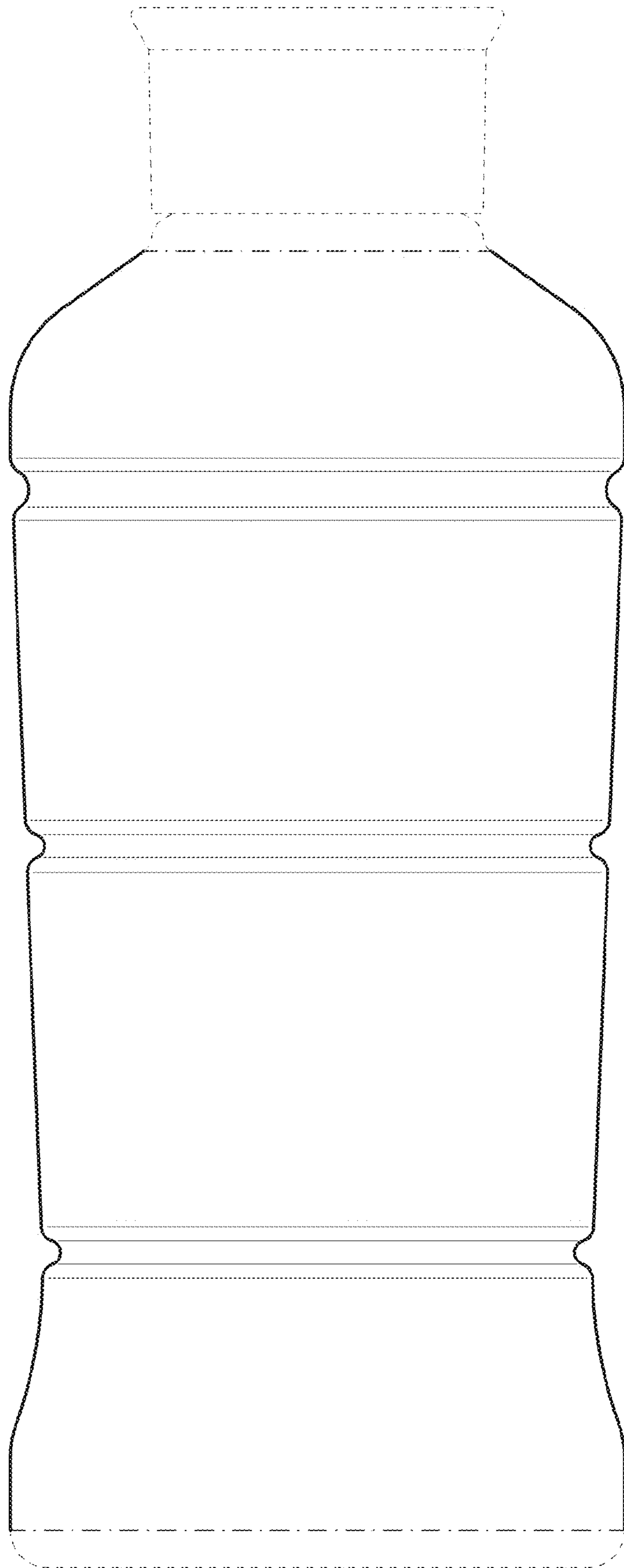


FIG. 5

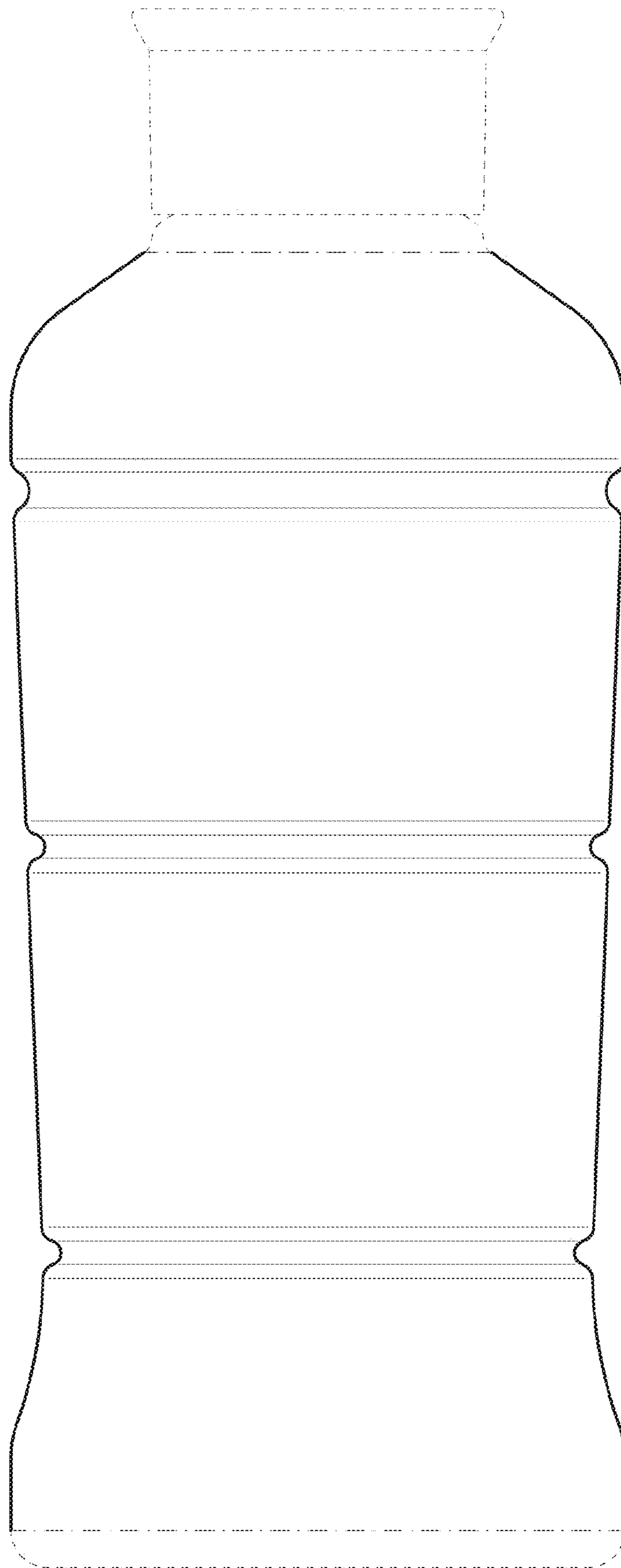


FIG. 6

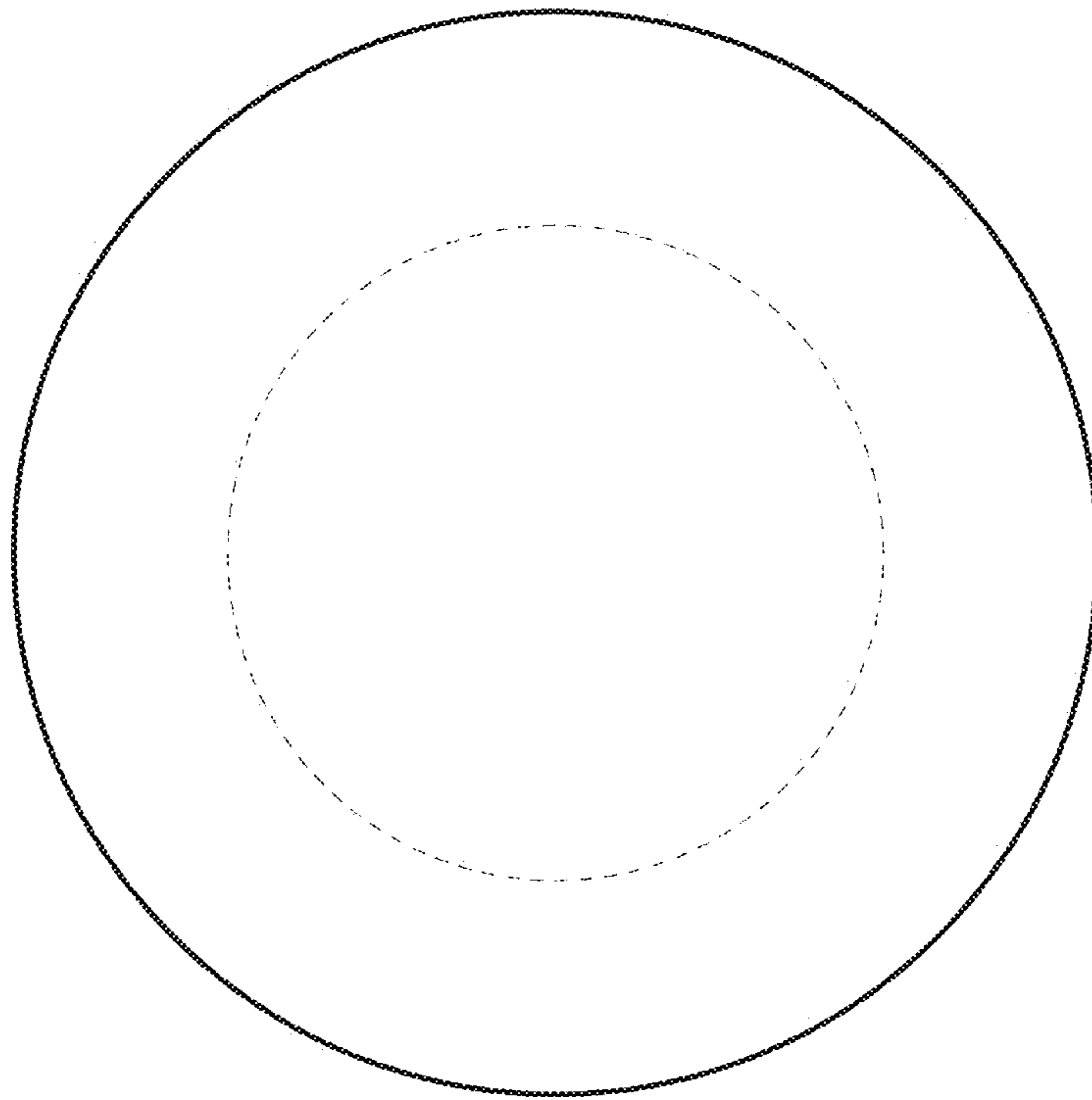


FIG. 7

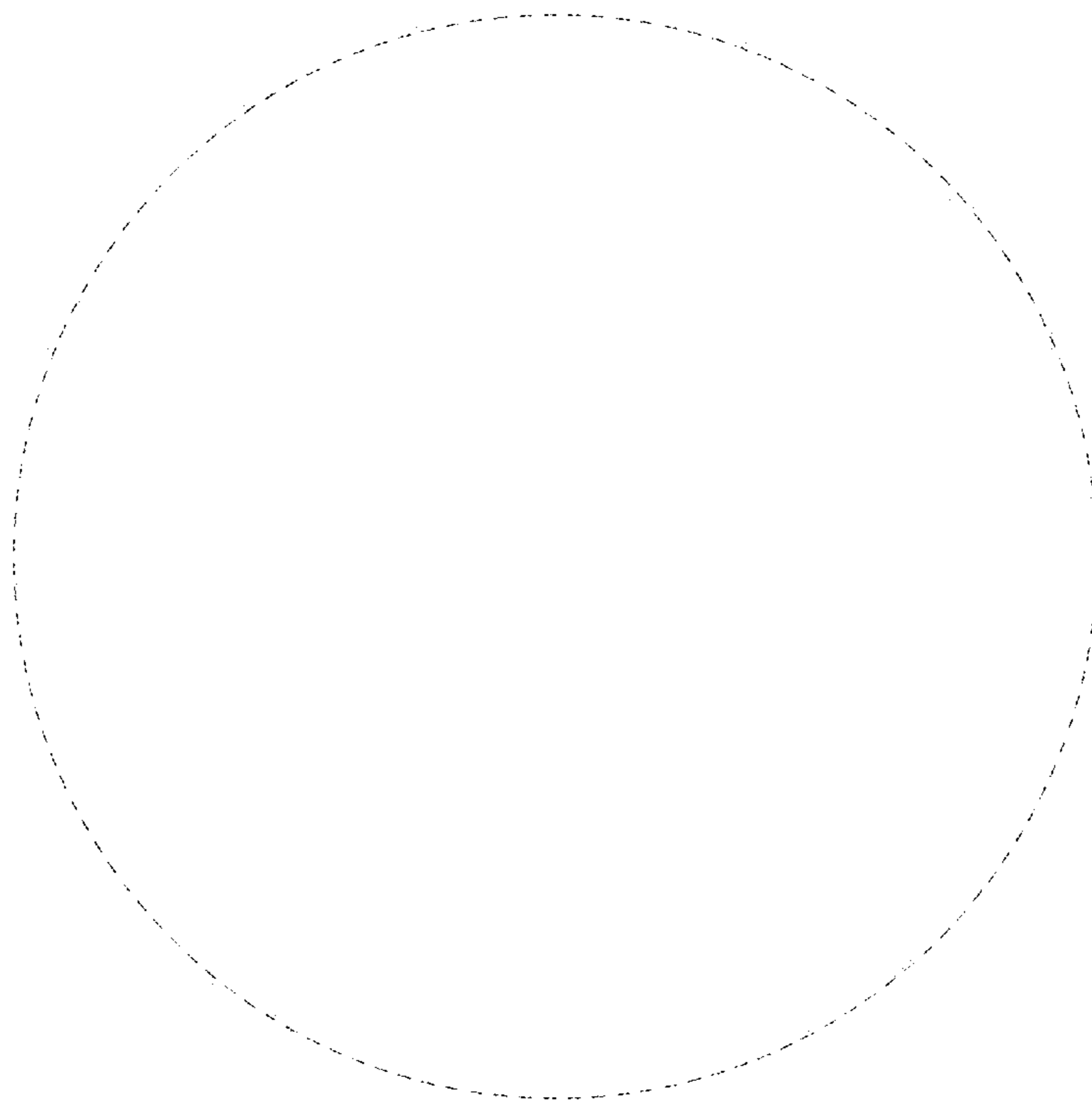


FIG. 8