



US00D968956S

(12) **United States Design Patent**
Gooley et al.

(10) **Patent No.:** **US D968,956 S**
(45) **Date of Patent:** **** Nov. 8, 2022**

(54) **PACKAGE MAILER**

(71) Applicant: **Billie, Inc.**, New York, NY (US)

(72) Inventors: **Georgina Gooley**, Brooklyn, NY (US);
Jason Bravman, New York, NY (US);
Dylan Johnson, Brooklyn, NY (US);
Andres Marcos, Long Island City, NY (US);
Claude Richard, Laval (CA);
Igor Grusecki, Mississauga (CA);
Nataliya Dolhova, Toronto (CA);
Murray J. Rundle, Stouffville (CA)

(73) Assignee: **BILLIE, INC.**, New York, NY (US)

(**) Term: **15 Years**

(21) Appl. No.: **29/712,566**

(22) Filed: **Nov. 8, 2019**

(51) **LOC (13) Cl.** **09-07**

(52) **U.S. Cl.**
USPC **D9/456; D9/433**

(58) **Field of Classification Search**
USPC D9/414, 422, 433, 456, 499
CPC ... A47B 87/02; A47F 5/10; A47F 5/11; B65D
5/00; B65D 5/10; B65D 5/443; B65D
5/2033; B65D 27/00; B65D 27/14; B65D
27/34

See application file for complete search history.

(56) **References Cited**

U.S. PATENT DOCUMENTS

- 892,858 A * 7/1908 La Tremouille B65D 27/00
229/80
- 2,105,086 A * 1/1938 Liskin B65D 5/00
229/87.5
- 3,253,770 A * 5/1966 Black B65D 5/0245
D9/432
- 3,835,987 A * 9/1974 Growney B65D 5/50
206/769

- D233,654 S * 11/1974 Lawlor D19/26
- D261,484 S * 10/1981 Haubert D9/420
- D372,670 S * 8/1996 Healey D9/433
- D373,723 S * 9/1996 Healey D9/433
- D431,775 S * 10/2000 Plattner D9/415
- D543,104 S * 5/2007 Frederiksen D9/422
- 8,376,212 B2 2/2013 Ashe
- 9,352,879 B2 5/2016 Makofsky et al.
- D791,589 S * 7/2017 Remash D9/432
- D828,156 S * 9/2018 Perella D9/432
- D831,480 S * 10/2018 Arazi D9/433
- D833,867 S * 11/2018 Perella D9/433
- D856,146 S * 8/2019 McKenzie D9/456
- D865,515 S * 11/2019 McKenzie D9/414
- D871,214 S * 12/2019 Wolf D9/456
- D881,011 S * 4/2020 Wolf D9/456
- D935,884 S * 11/2021 Stanek D9/456
- 2011/0011923 A1* 1/2011 Fitzwater B65D 5/48002
229/120.08

* cited by examiner

Primary Examiner — Wendy L Arminio

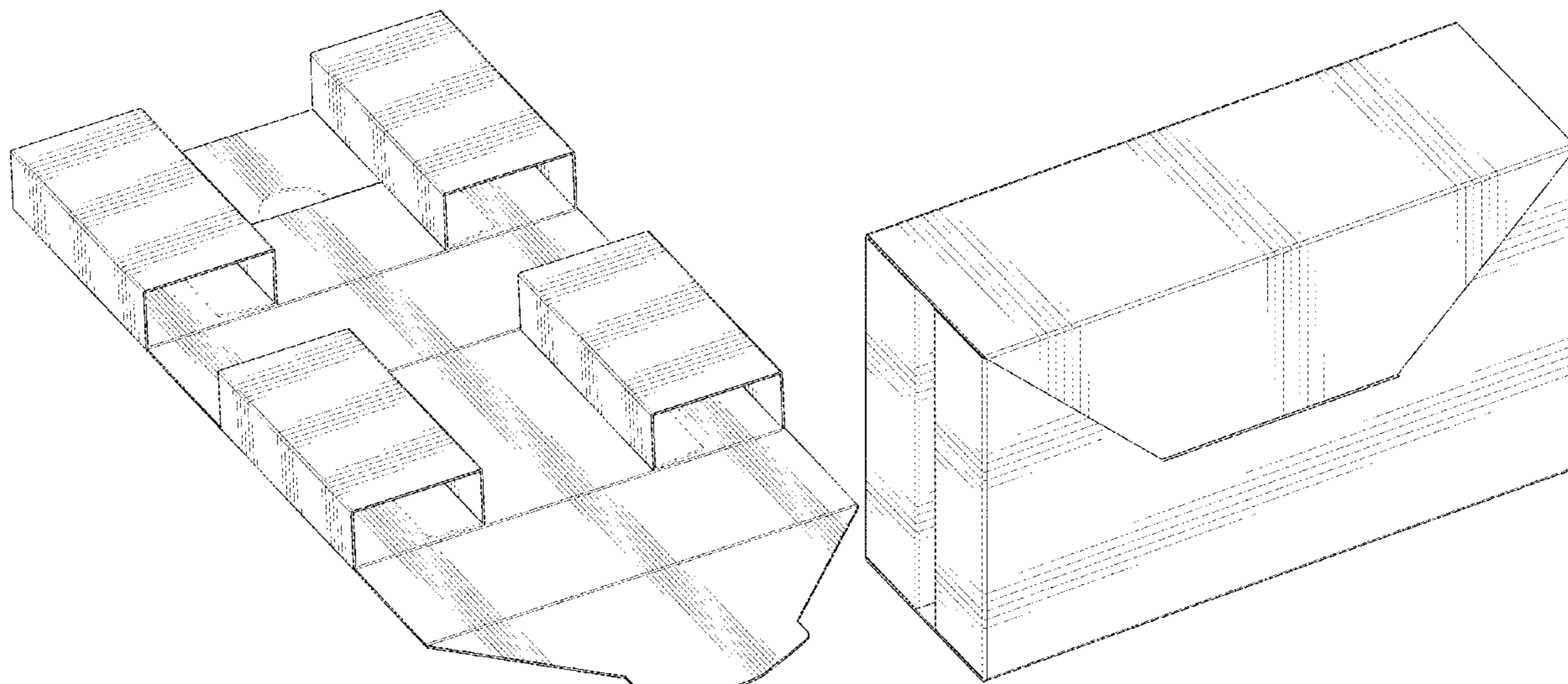
(57) **CLAIM**

The ornamental design for a package mailer, as substantially shown and described.

DESCRIPTION

FIG. 1 shows an unfolded perspective view of a package mailer in accordance with the present invention; FIG. 2 shows a front plan view thereof; FIG. 3 shows a rear plan view thereof; FIG. 4 shows a top side elevation view thereof; FIG. 5 shows a bottom side elevation view thereof; FIG. 6 shows a left side elevation view thereof; FIG. 7 shows a right side elevation view thereof; FIG. 8 shows a partly folded perspective view thereof; and, FIG. 9 shows a fully folded perspective view thereof. The broken lines in the drawings form no part of the claimed design.

1 Claim, 7 Drawing Sheets



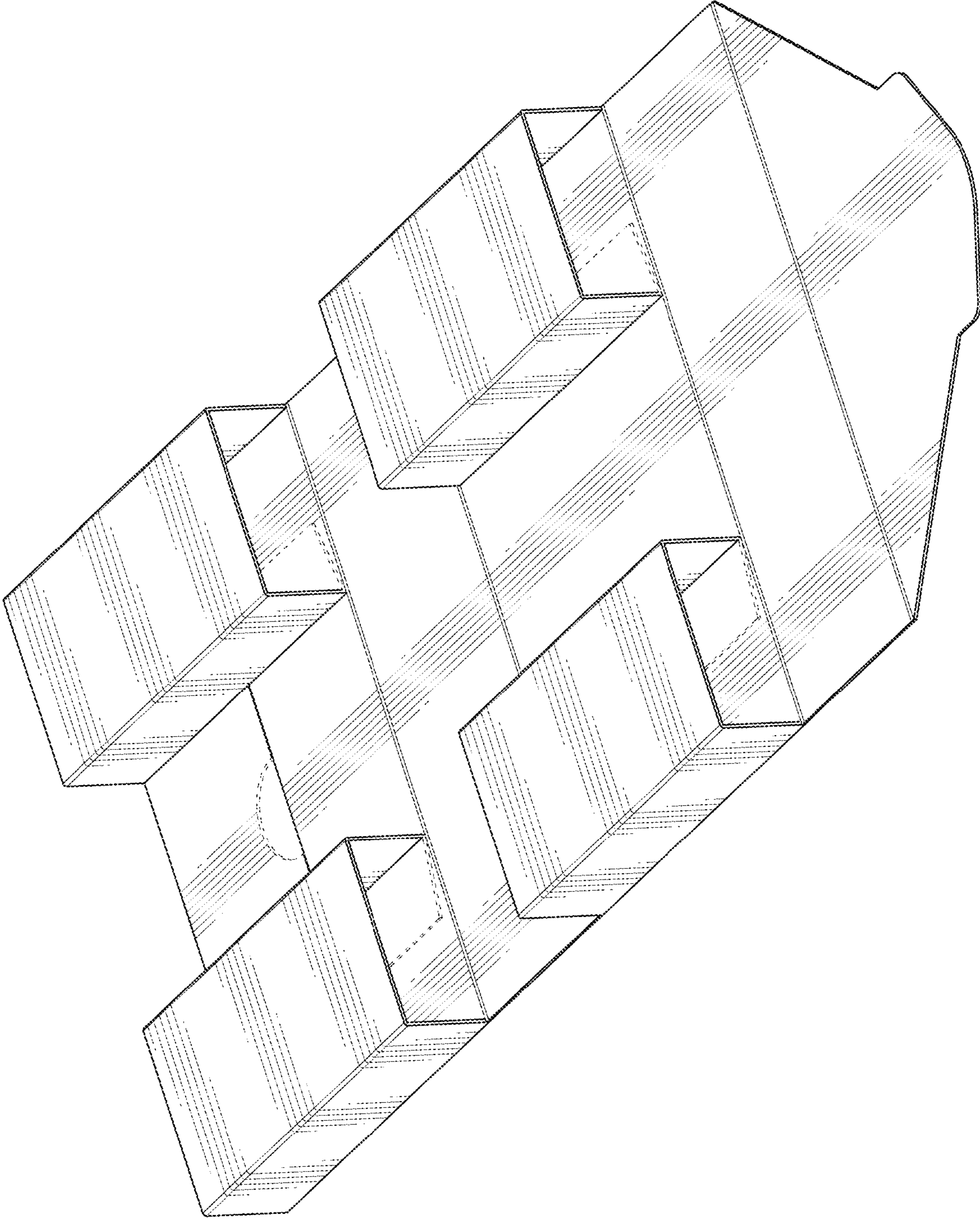


FIG. 1

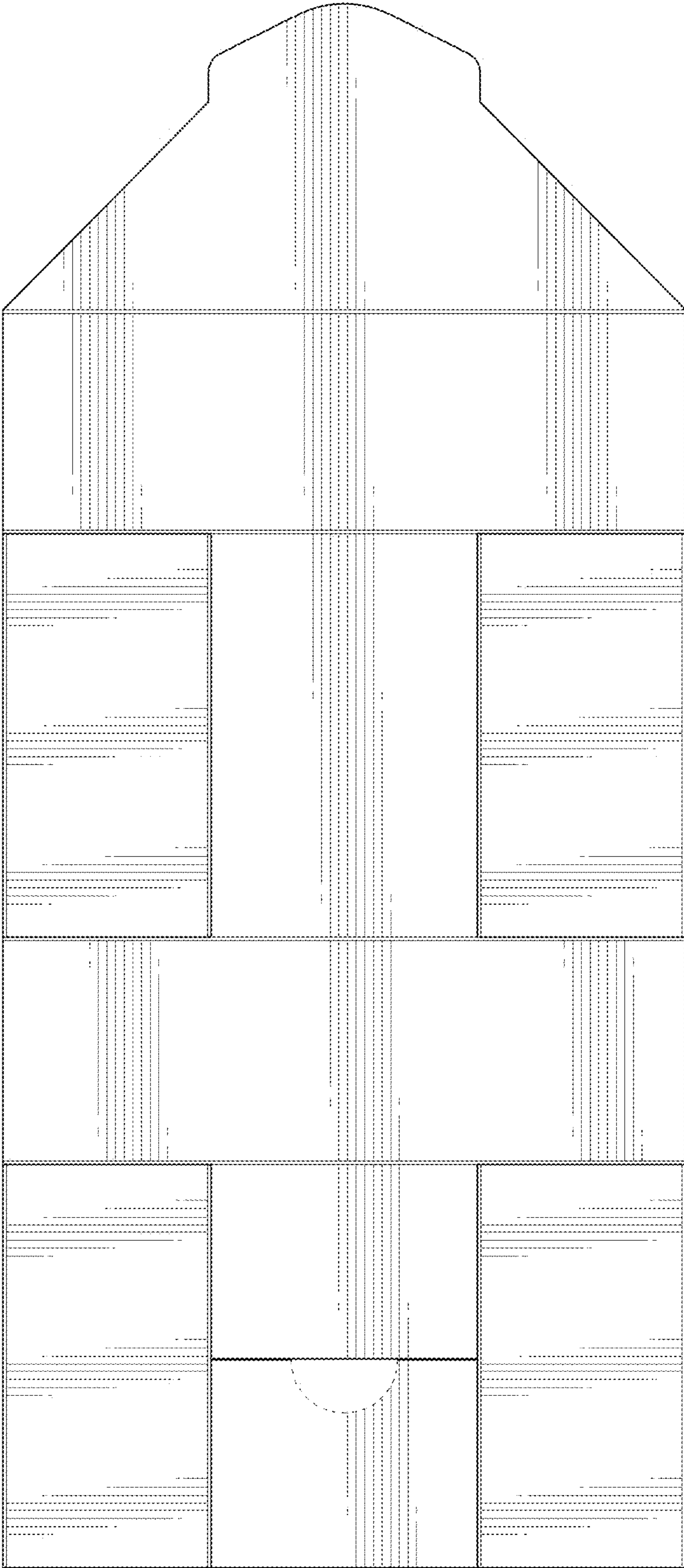


FIG. 2

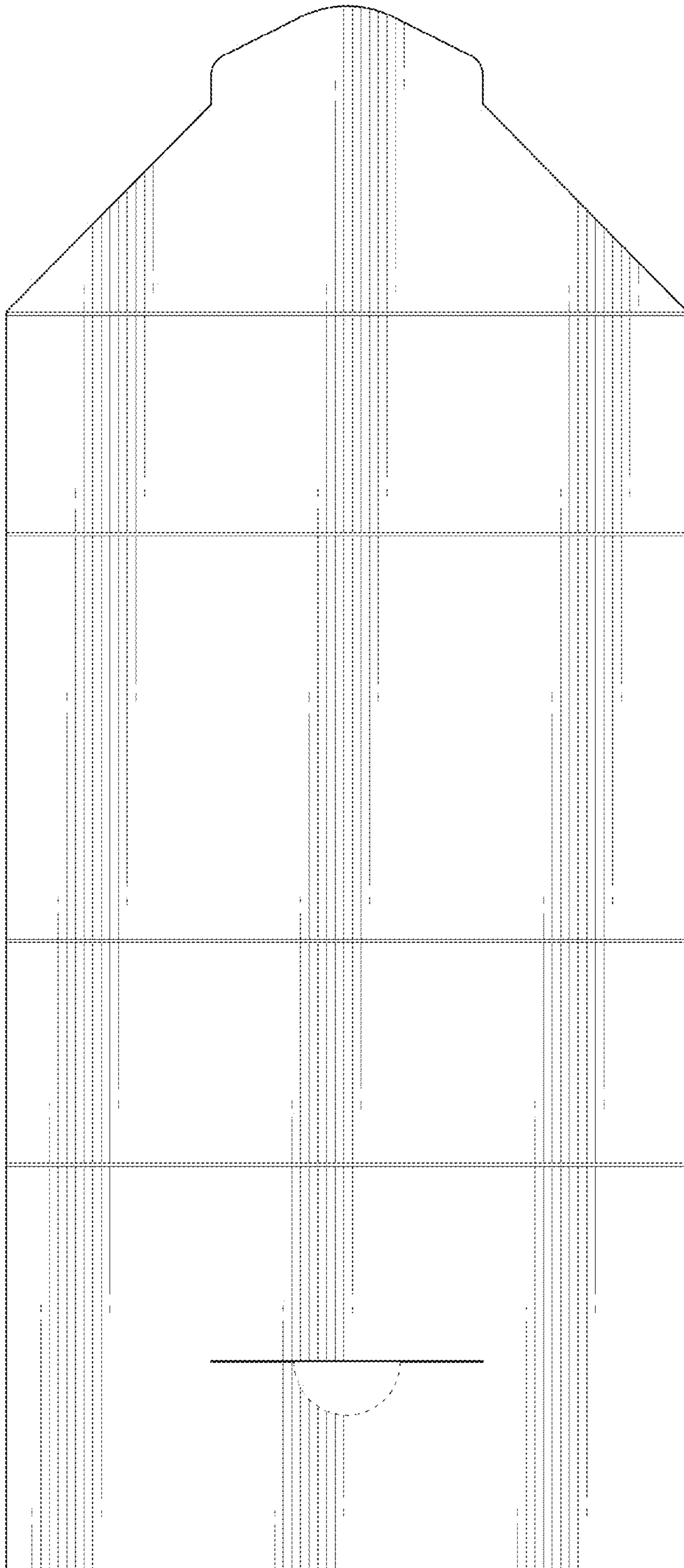


FIG. 3



FIG. 4



FIG. 5

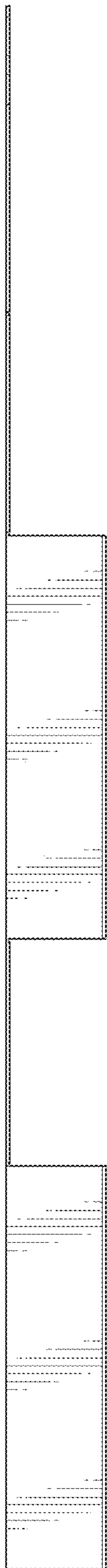


FIG. 6

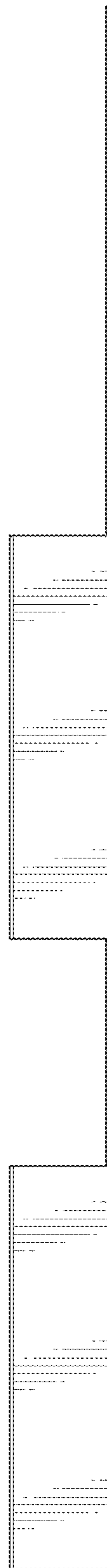


FIG. 7

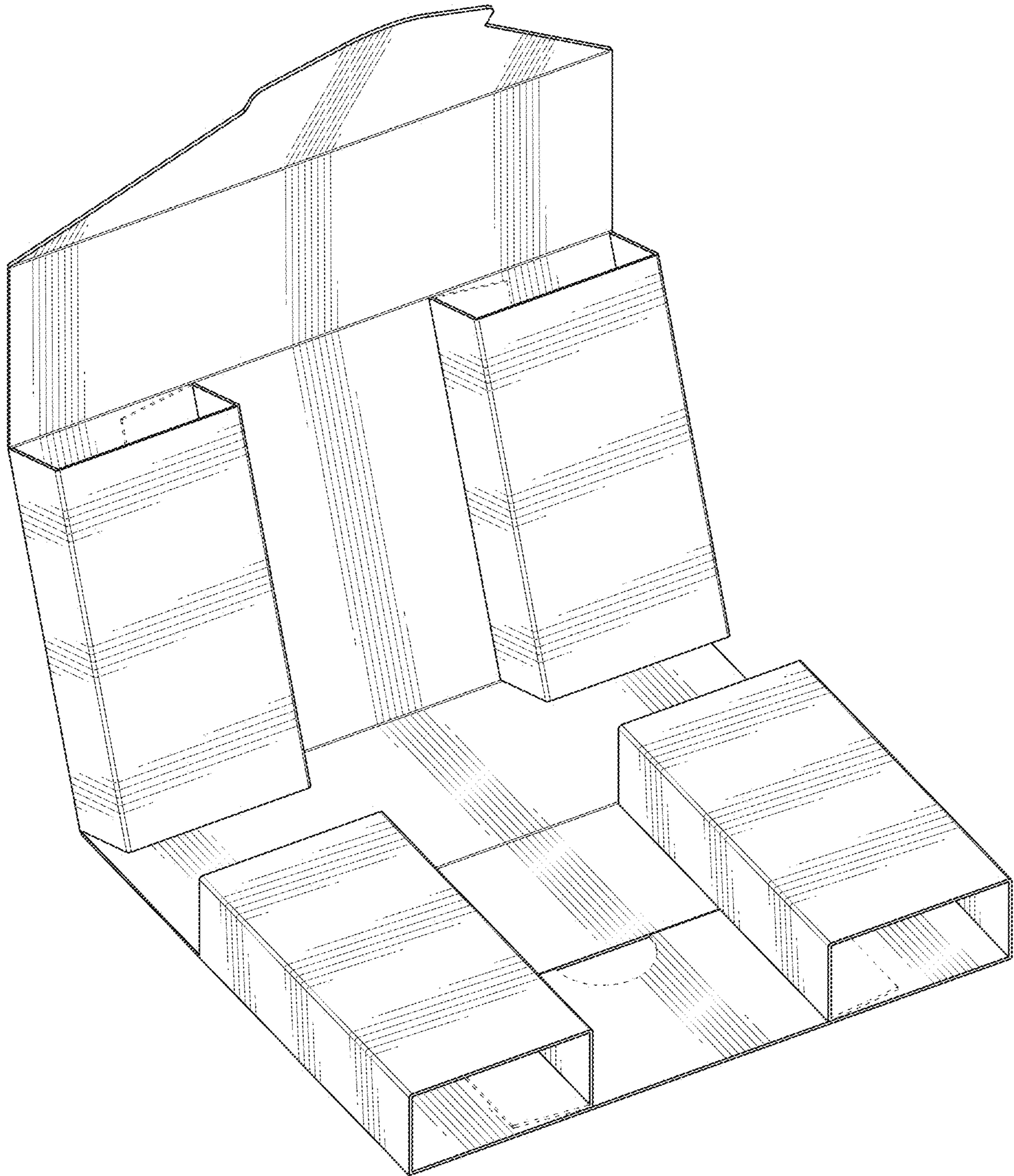


FIG. 8

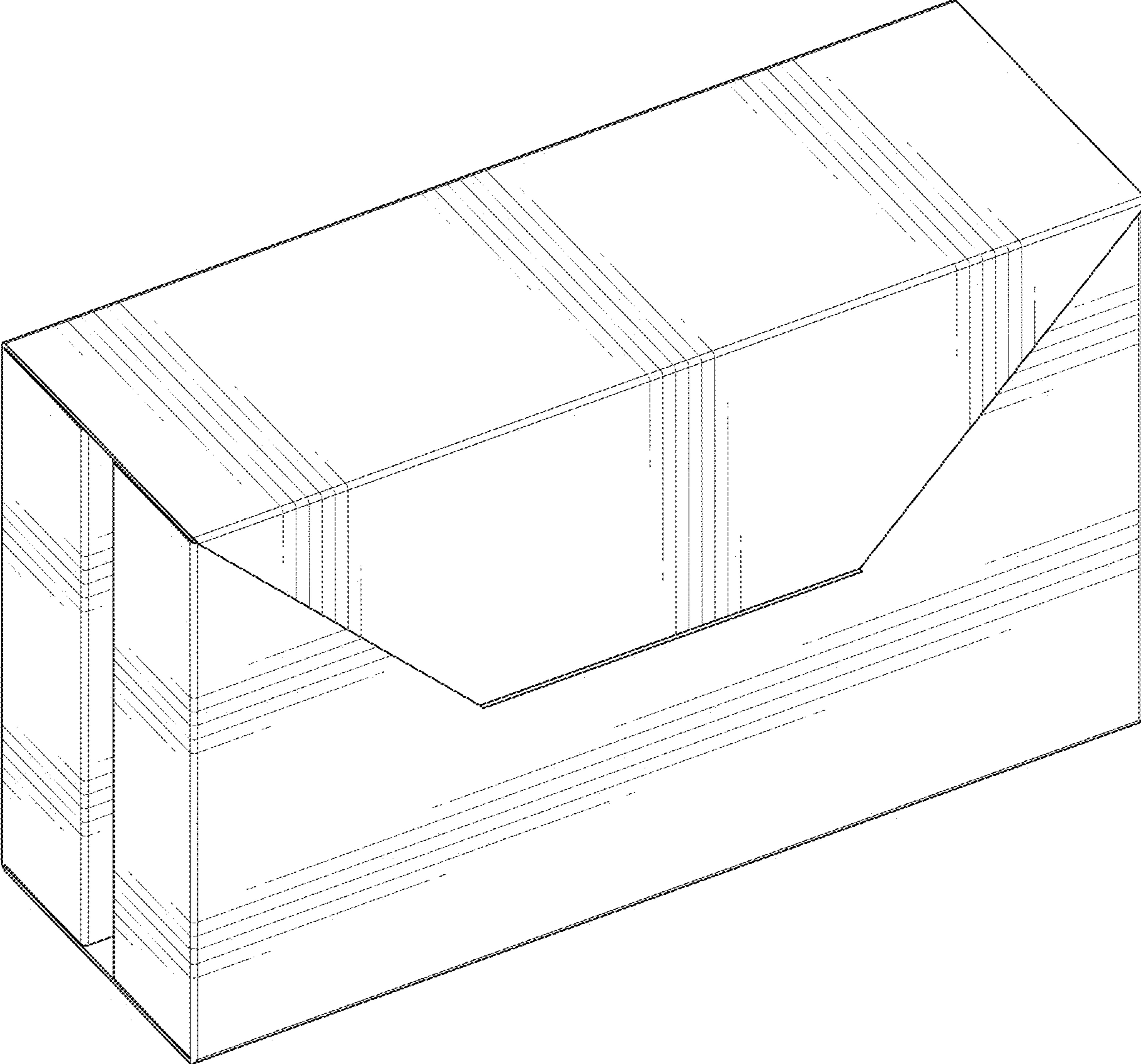


FIG. 9