



US00D968954S

(12) **United States Design Patent** (10) **Patent No.:** **US D968,954 S**
Gaudiomonte et al. (45) **Date of Patent:** **** Nov. 8, 2022**

(54) **PACKAGE AND PACKAGING SHEET FOR FOODSTUFF**

Primary Examiner — Bao-Yen T Nguyen
(74) *Attorney, Agent, or Firm* — Leason Ellis LLP

(71) Applicant: **TETRA LAVAL HOLDINGS & FINANCE S.A.**, Pully (CH)

(72) Inventors: **Giacomo Gaudiomonte**, Modena (IT); **Marcello Barbieri**, Modena (IT); **Davide Morciano**, Modena (IT); **Elisa Michelini**, Modena (IT); **Francesco Fontanazzi**, Modena (IT); **Alberto Mameli**, Modena (IT); **Carlo Forcellini**, Modena (IT)

(57) **CLAIM**

The ornamental design for a package and packaging sheet for foodstuff, as shown and described.

(73) Assignee: **TETRA LAVAL HOLDINGS & FINANCE S.A.**, Pully (CH)

DESCRIPTION

(**) Term: **15 Years**

(21) Appl. No.: **29/772,147**

(22) Filed: **Feb. 26, 2021**

Related U.S. Application Data

(62) Division of application No. 35/506,937, filed on Dec. 14, 2018 (U.S. filing date under 35 U.S.C. 384), and (Continued)

(30) **Foreign Application Priority Data**

Jun. 14, 2018 (EM) 005311016

(51) **LOC (13) Cl.** **09-03**

(52) **U.S. Cl.**
USPC **D9/433**

(58) **Field of Classification Search**
USPC D9/414, 415, 417, 418, 420-427,
D9/430-434, 634

(Continued)

(56) **References Cited**

U.S. PATENT DOCUMENTS

D244,993 S 7/1977 Drysdale
D394,385 S 5/1998 Laughlin

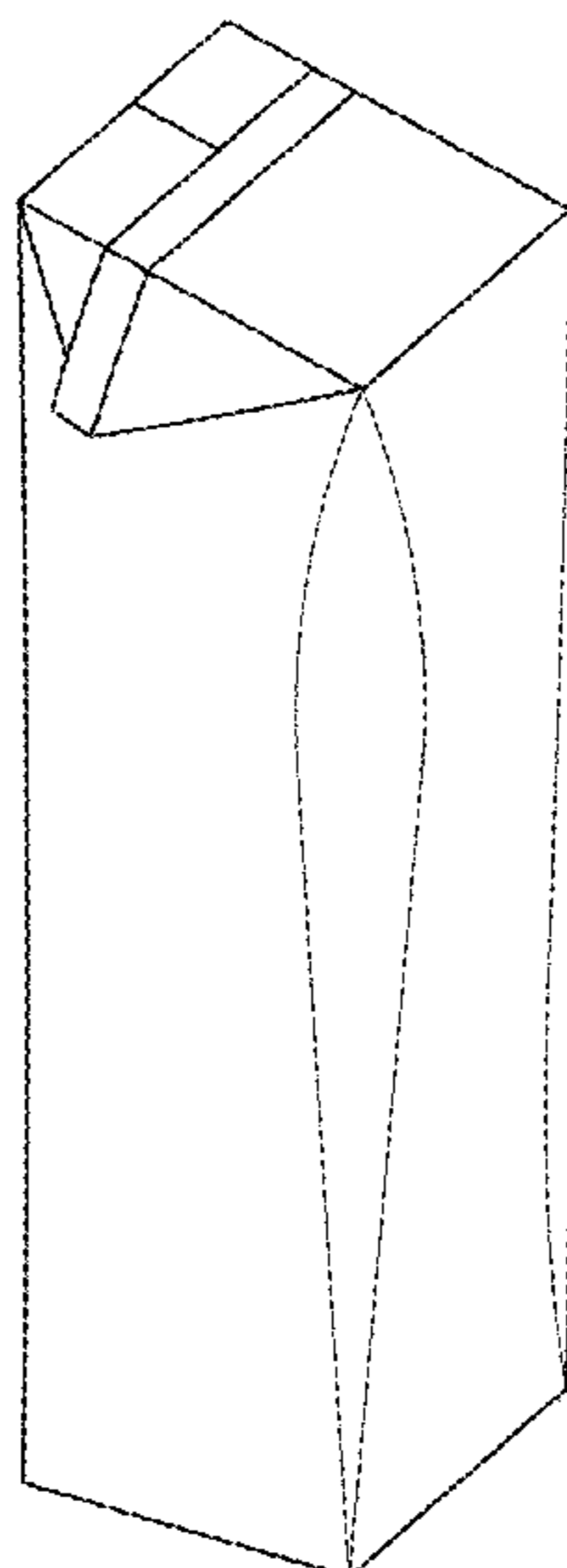
(Continued)

FIG. 1 is a front perspective view of a package and packaging sheet for foodstuff according to a first embodiment of our new design;
FIG. 2 is a front elevation view thereof;
FIG. 3 is a rear elevation view thereof;
FIG. 4 is a first side view thereof;
FIG. 5 is a second side view thereof;
FIG. 6 is a top plan view thereof;
FIG. 7 is a bottom plan view thereof;
FIG. 8 is a front perspective view of a package and packaging sheet for foodstuff according to a second embodiment of our new design;
FIG. 9 is a front elevation view thereof;
FIG. 10 is a rear elevation view thereof;
FIG. 11 is a first side view thereof;
FIG. 12 is a second side view thereof;
FIG. 13 is a top plan view thereof; and,
FIG. 14 is a top plan view thereof.

The broken lines in the drawings illustrate portions of the package and packaging sheet for foodstuff that form no part of the claimed design.

The packaging sheet for foodstuff illustrated in each of FIGS. 8-14 corresponds directly to the package for foodstuff illustrated in FIGS. 1-7, respectively. Each packaging sheet for foodstuff illustrates the corresponding package for foodstuff in collapsed form.

1 Claim, 14 Drawing Sheets



Related U.S. Application Data

having an international filing date of Dec. 14, 2018,
now Pat. No. Des. 915,196.

(58) **Field of Classification Search**

CPC B65D 5/00; B65D 5/0209; B65D 5/029;
B65D 5/40; B65D 5/72; B65D 5/727;
B65D 2571/0066; B65D 85/72; B65D
85/804; B65D 2571/00555; B65D
2571/00648

See application file for complete search history.

(56) **References Cited**

U.S. PATENT DOCUMENTS

D512,630 S 12/2005 Tachikawa et al.
D513,177 S 12/2005 Tachikawa et al.
D518,368 S 4/2006 Tachikawa et al.
D578,389 S 10/2008 Kalberer

D589,791 S 4/2009 Kalberer
D636,680 S 4/2011 Cocchioni
D640,140 S 6/2011 Zhang
D646,565 S 10/2011 Ren
D646,582 S 10/2011 Ren et al.
D650,693 S 12/2011 Miller et al.
D651,917 S 1/2012 Ren et al.
D652,316 S 1/2012 Ren et al.
D657,239 S 4/2012 Gavrilenkov et al.
D676,742 S 2/2013 Walter et al.
D694,105 S 11/2013 Rodriguez
D728,364 S 5/2015 Baker et al.
D877,615 S * 3/2020 Franic D9/433
D881,695 S * 4/2020 Luik D9/431
10,815,025 B2 * 10/2020 Kalberer B65D 5/4266
10,850,887 B2 * 12/2020 Dammers B65D 5/029
D915,196 S * 4/2021 Gaudiomonte D9/433
11,014,703 B2 * 5/2021 Nakamura B65D 5/746
11,072,454 B2 * 7/2021 Wada B65D 5/563
2008/0223912 A1 9/2008 Ardite et al.
2011/0113733 A1 5/2011 Franic

* cited by examiner

Fig. 1

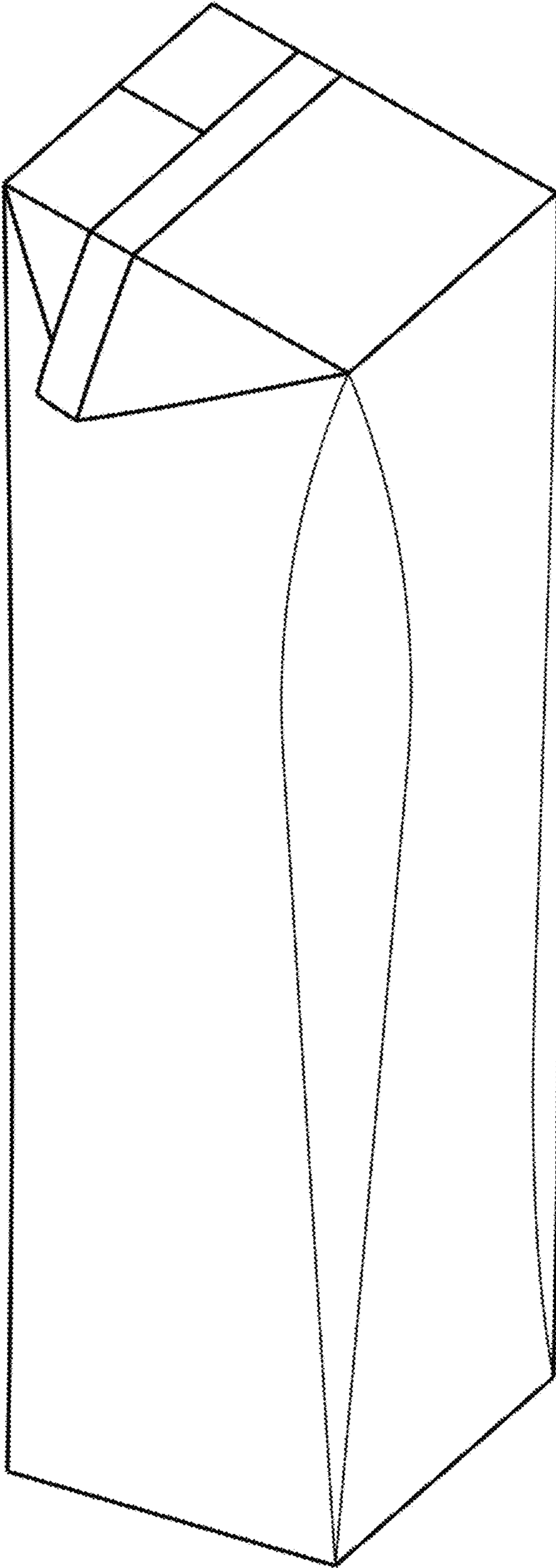


Fig. 2

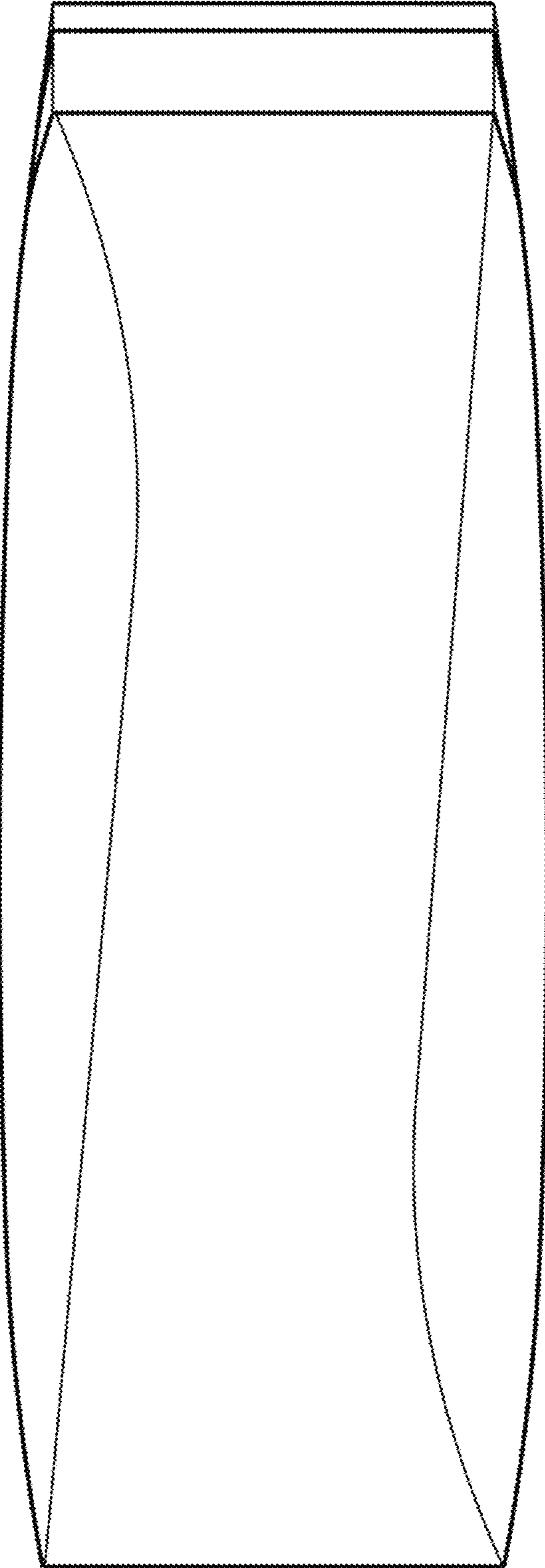


Fig. 3

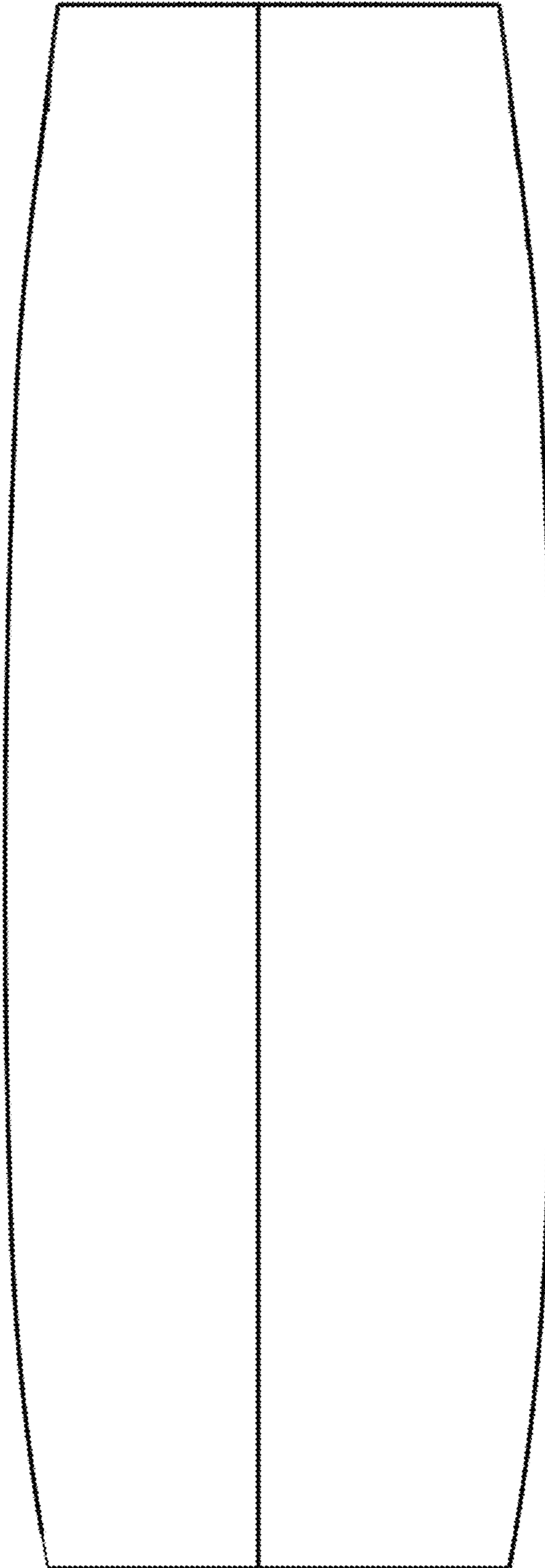


Fig. 4

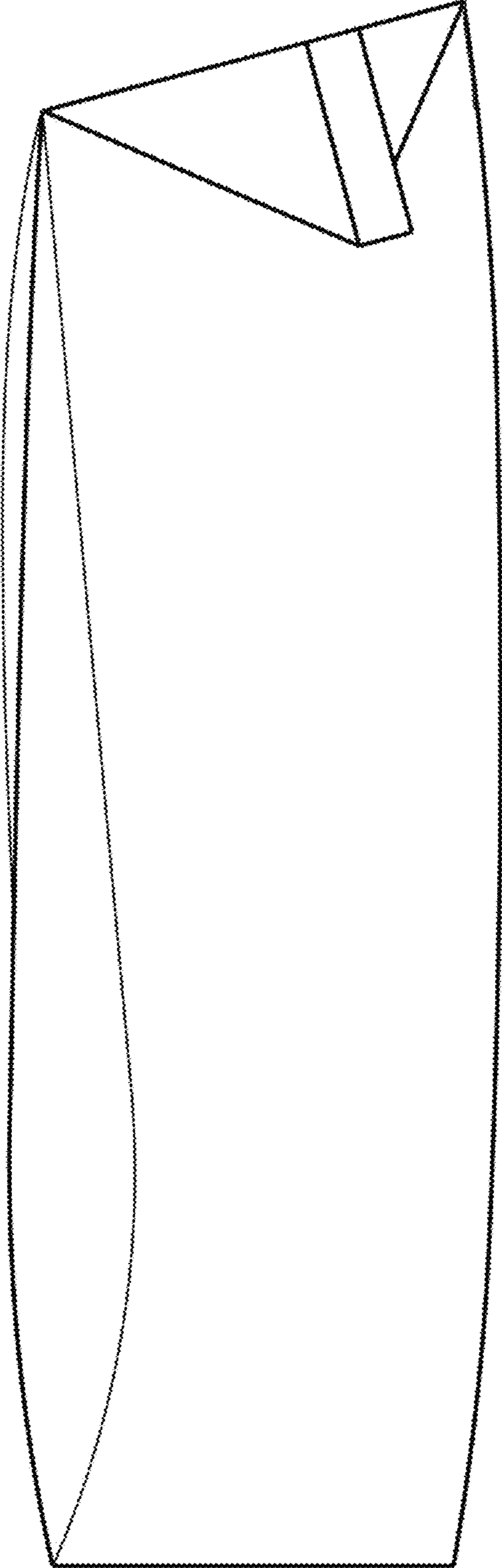


Fig. 5

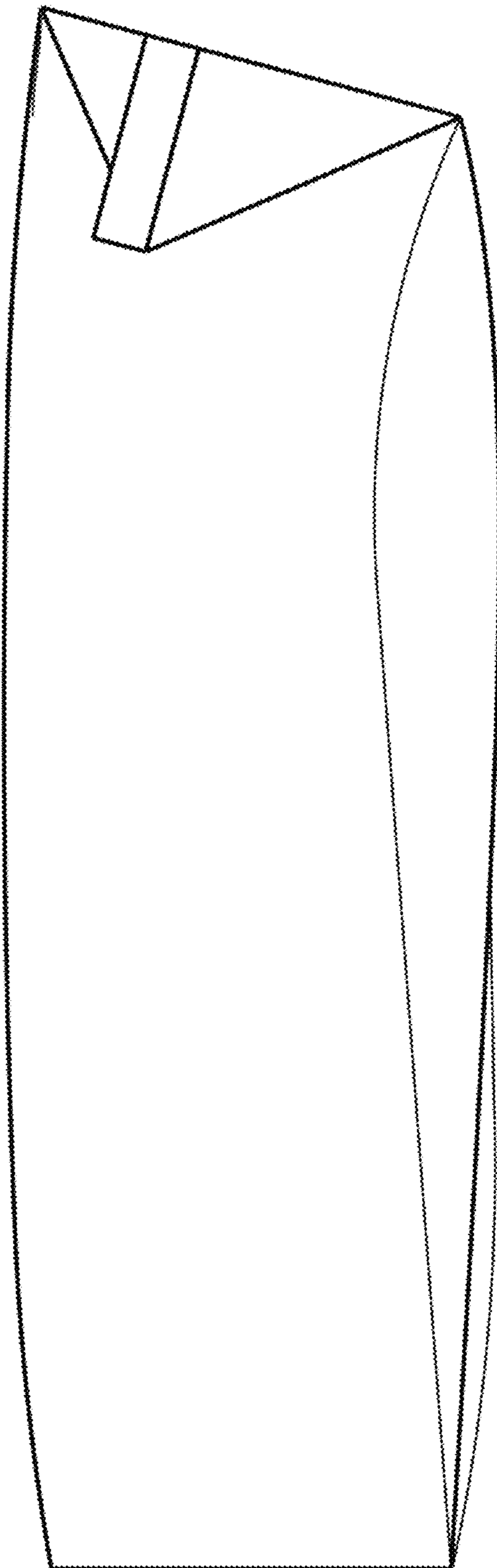


Fig. 6

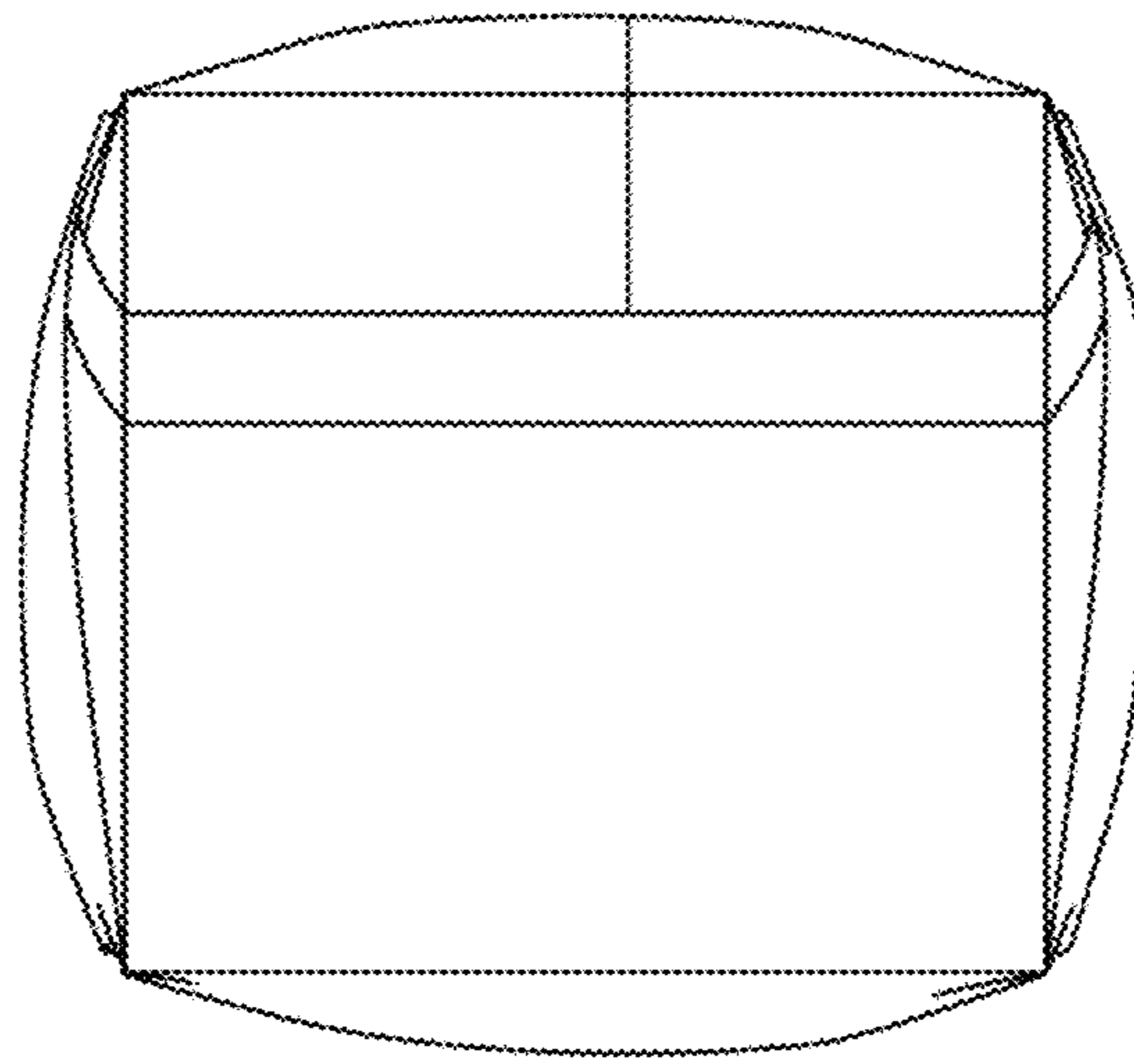


Fig. 7

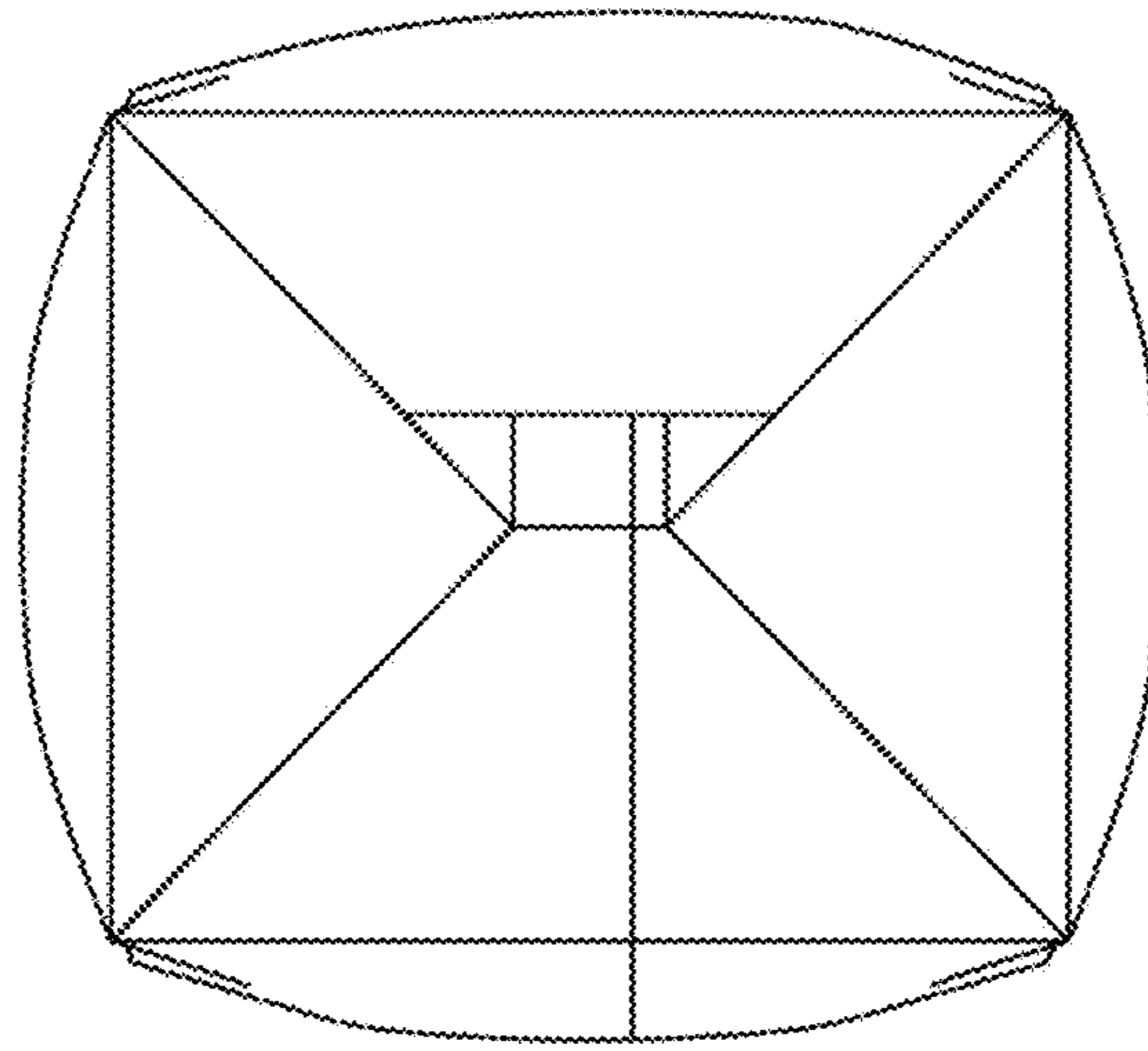


Fig. 8

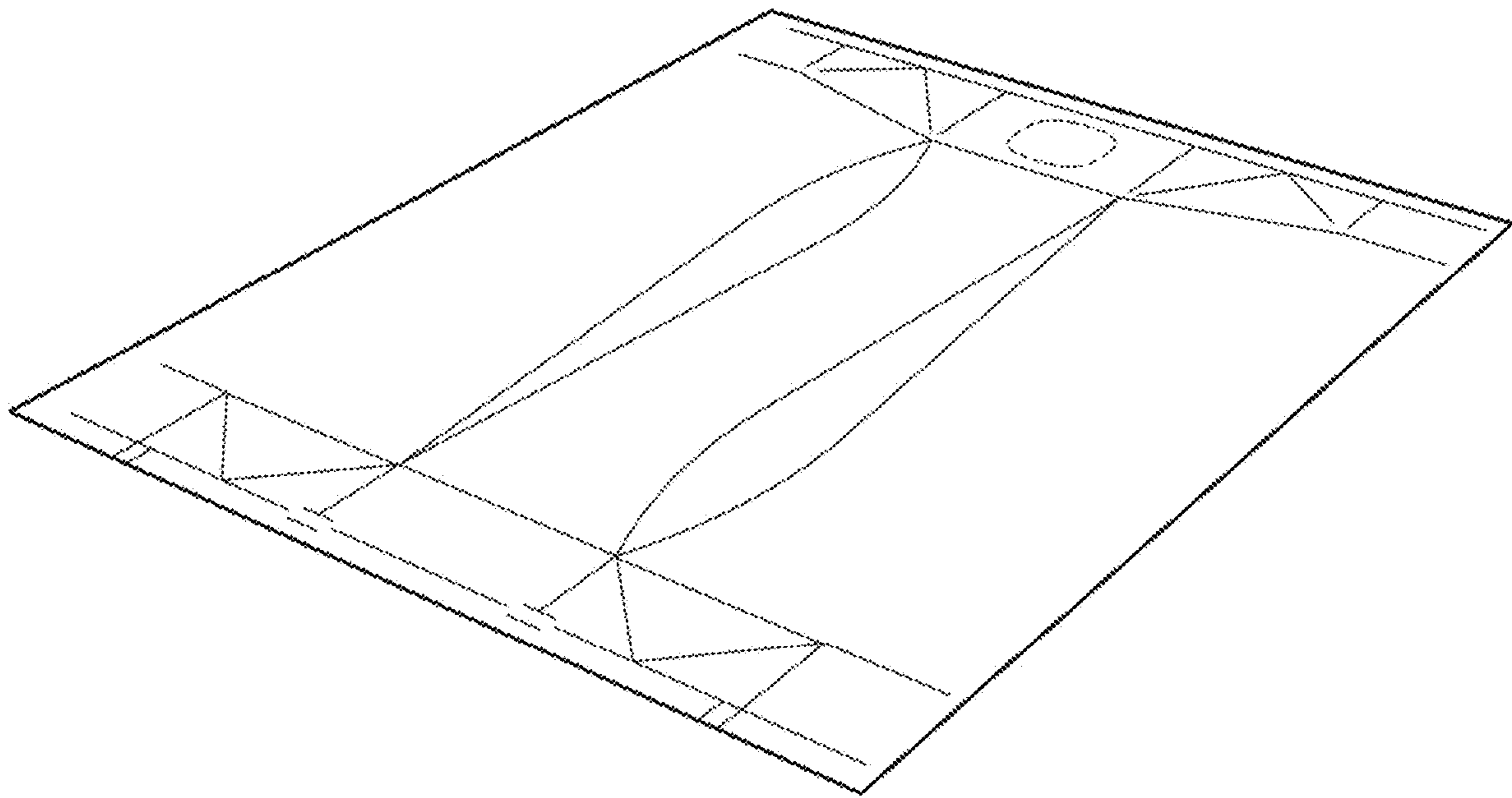


Fig. 9

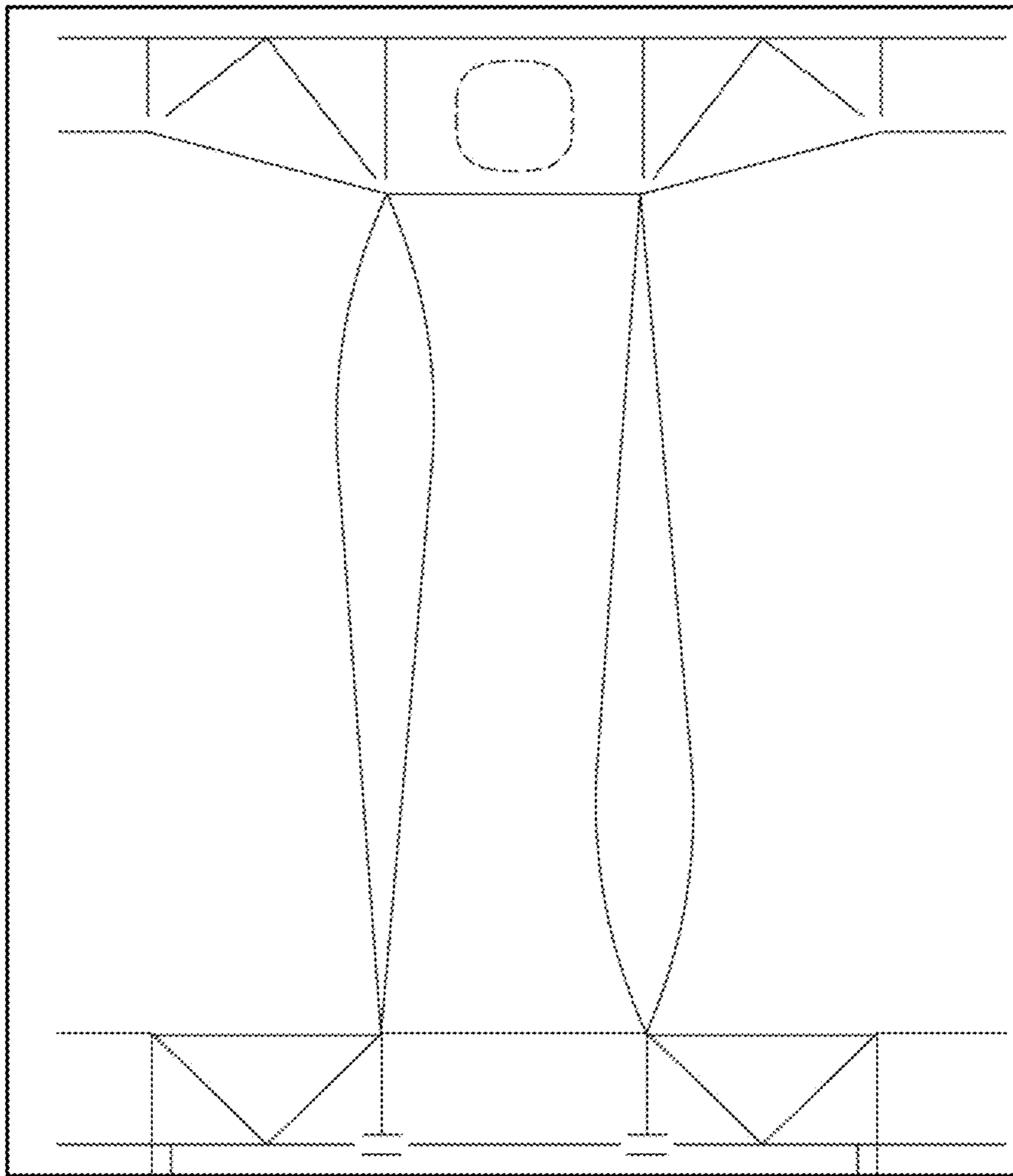


Fig. 10

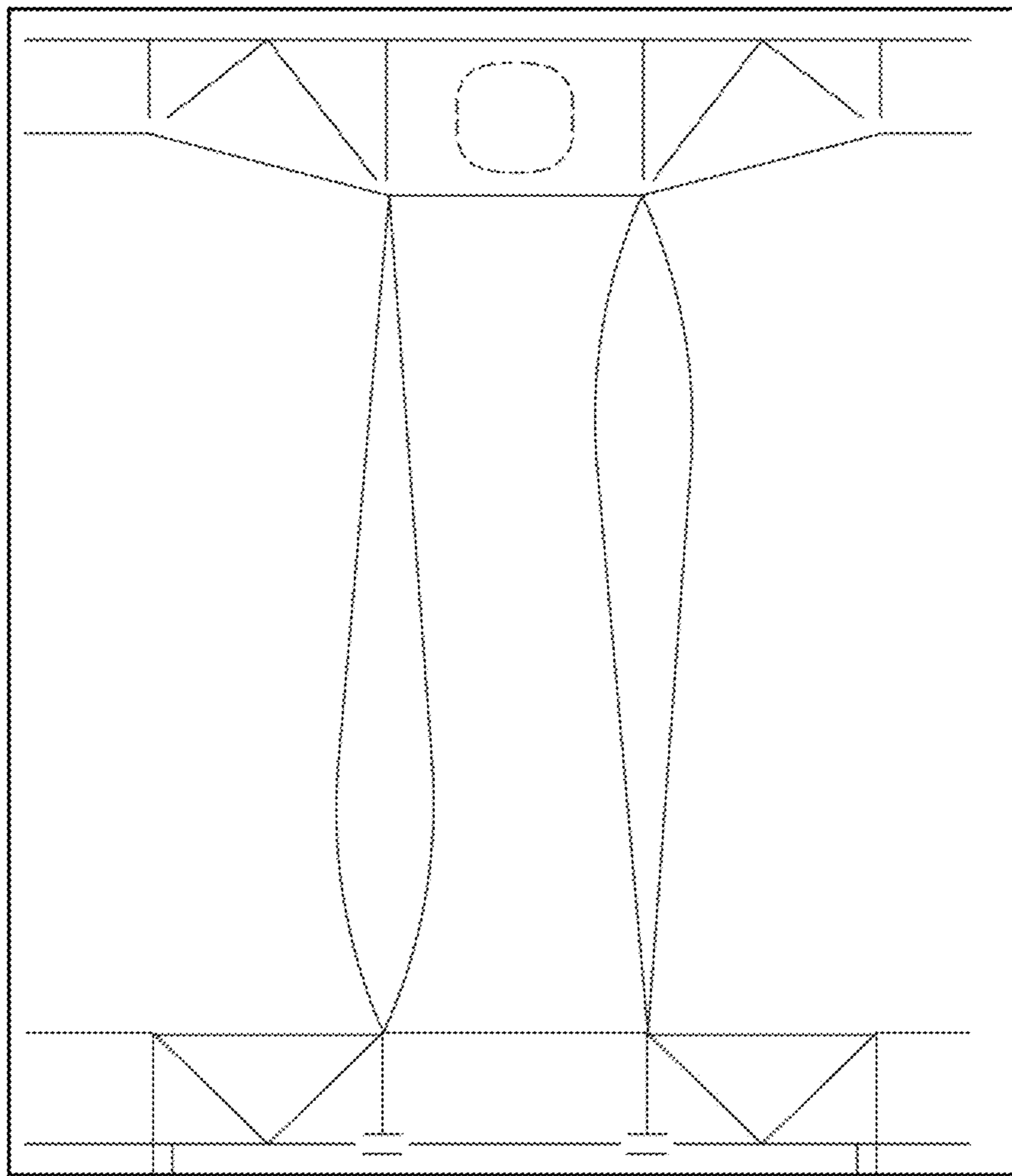


Fig. 11



Fig. 12



Fig. 13



Fig. 14

