



US00D968951S

(12) **United States Design Patent** (10) **Patent No.:** **US D968,951 S**
Liu (45) **Date of Patent:** **** Nov. 8, 2022**

(54) **FOLDING GIFT BOX WITH RIBBON**

(71) Applicant: **Qiulin Liu**, Shenzhen (CN)

(72) Inventor: **Qiulin Liu**, Shenzhen (CN)

(**) Term: **15 Years**

(21) Appl. No.: **29/795,399**

(22) Filed: **Jun. 17, 2021**

(51) **LOC (13) Cl.** **09-03**

(52) **U.S. Cl.**
USPC **D9/432**

(58) **Field of Classification Search**
USPC D9/414-423, 430-433, 457, 699, 711,
D9/713, 737; D3/276, 294
CPC B65D 5/00; B65D 5/0015; B65D 5/02;
B65D 5/0227; B65D 5/0236; B65D 5/18;
B65D 5/20; B65D 5/32

See application file for complete search history.

(56) **References Cited**

U.S. PATENT DOCUMENTS

- 1,735,191 A * 11/1929 Weisenberg B65D 5/4262
229/125.22
- D244,749 S * 6/1977 Hodges D9/635
- 4,566,592 A * 1/1986 Klukos B65D 75/20
206/451
- 5,004,144 A * 4/1991 Selga A45C 7/0095
206/521
- 6,601,757 B2 8/2003 Bowman
- D482,494 S * 11/2003 Sheng D9/635
- D491,603 S * 6/2004 Warkentin D19/2
- D549,590 S * 8/2007 Mauerhan D9/635
- D584,959 S * 1/2009 Tinsley D9/635
- D614,026 S * 4/2010 Lince D9/635
- D730,742 S * 6/2015 Glass D9/635
- D763,071 S * 8/2016 Irek D9/418
- D765,502 S * 9/2016 Irek D9/635
- D783,721 S * 4/2017 Stephen D20/11
- D817,771 S * 5/2018 Smith D9/635

- 10,532,867 B2 * 1/2020 Glass G07F 17/00
- D874,266 S * 2/2020 Perella D9/432
- D874,267 S * 2/2020 Perella D9/432
- D876,219 S 2/2020 Martin
- D887,265 S 6/2020 Perella
- 11,167,876 B2 * 11/2021 Fillion B65D 45/32
- D947,019 S * 3/2022 Safdie D9/418
- D950,373 S * 5/2022 Wang D9/420
- D962,054 * 8/2022 Yu D9/432

(Continued)

FOREIGN PATENT DOCUMENTS

KR 20140014953 A 2/2014

OTHER PUBLICATIONS

Luxury Gift Box with Ribbon Folding Gift Cardboard. [online]
Published on Jan. 6, 2022. Retrieved Jun. 28, 2022 from URL:
<https://www.amazon.co.uk/Cardboard-Presents-Packaging-Decorative-Birthdays/dp/B09PV4NBJC> (Year: 2022).*

(Continued)

Primary Examiner — Richard Kearney

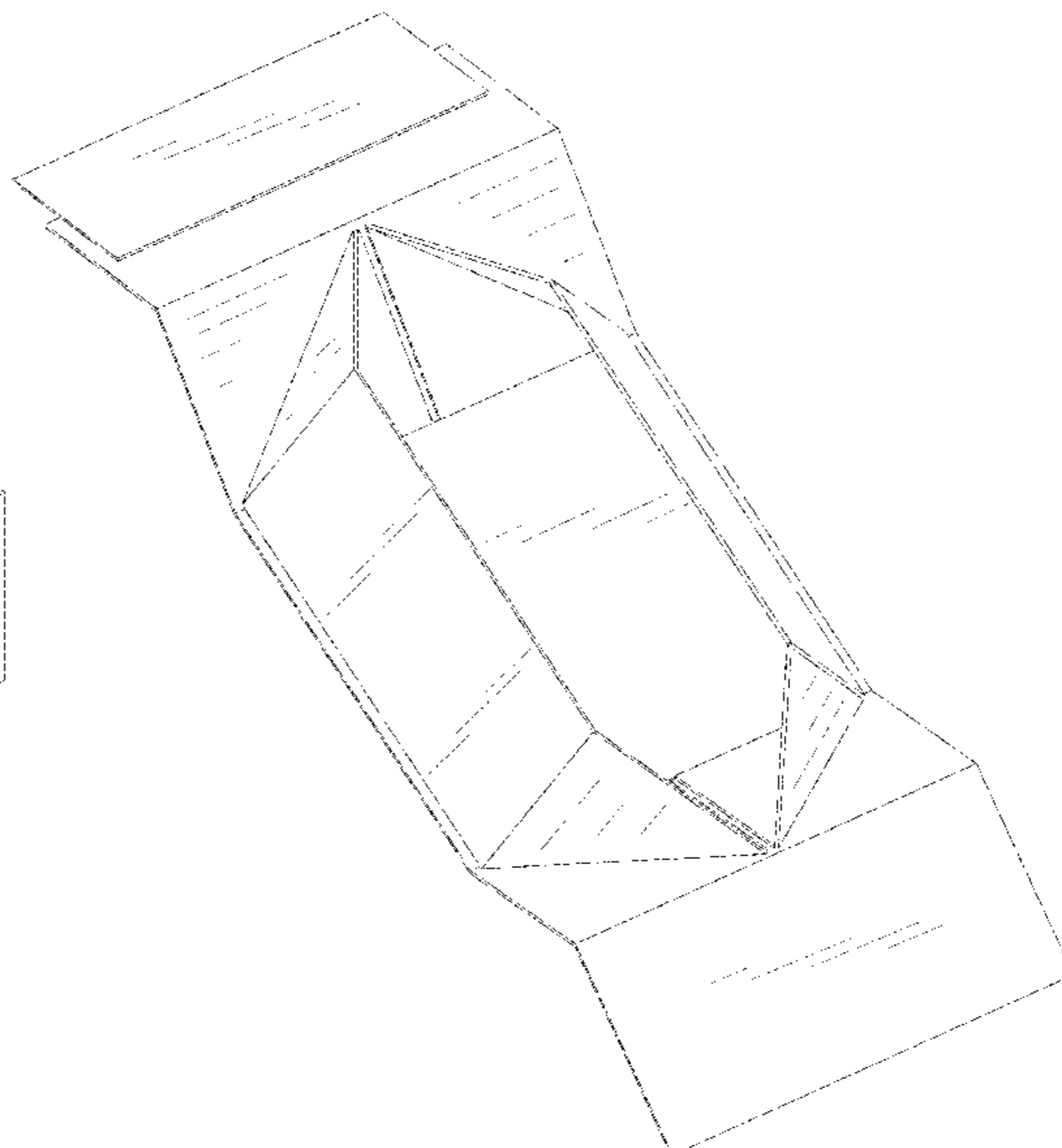
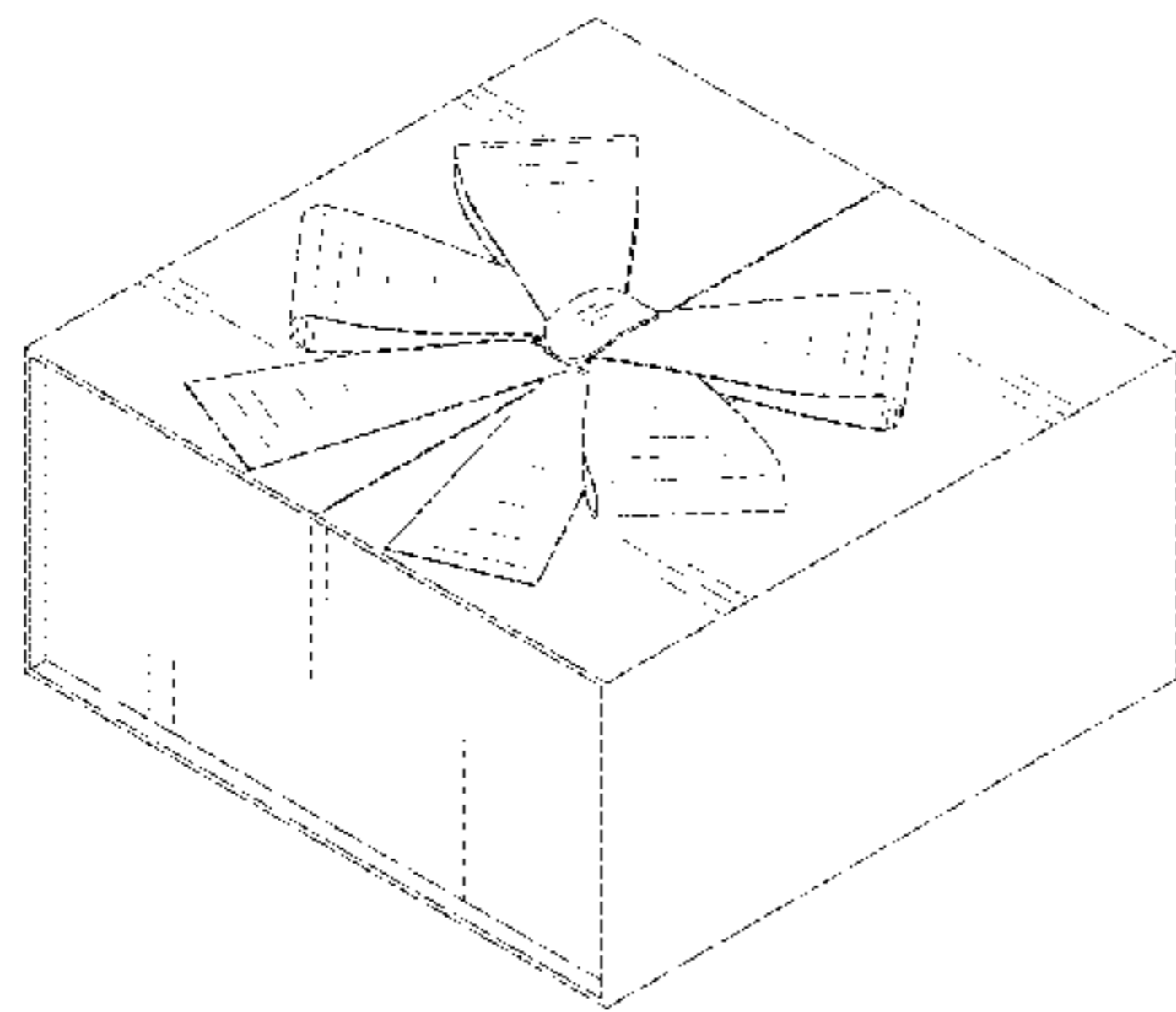
(57) **CLAIM**

The ornamental design for a folding gift box with ribbon, as shown and described.

DESCRIPTION

FIG. 1 is a front, top perspective view of a folding gift box with ribbon showing my new design;
FIG. 2 is a front elevation view thereof;
FIG. 3 is a rear elevation view thereof;
FIG. 4 is a left side elevation view thereof;
FIG. 5 is a right side elevation view thereof;
FIG. 6 is a top plan view thereof;
FIG. 7 is a bottom plan view thereof; and,
FIG. 8 is a perspective view of the folding gift box, shown separately without the ribbon, in an unfolded configuration.

1 Claim, 8 Drawing Sheets



(56)

References Cited

U.S. PATENT DOCUMENTS

2013/0161378 A1* 6/2013 Nebeker B65D 33/065
229/162.1
2013/0186782 A1* 7/2013 Doyle B65D 5/425
229/116.1
2013/0186896 A1* 7/2013 Doyle B65D 5/4262
220/259.1
2020/0148408 A1* 5/2020 Fillion B65D 45/32

OTHER PUBLICATIONS

Emartbuy Pack of 12 Square Shaped Presentation Gift Box. [online]
Published on Jun. 25, 2021. Retrieved Jun. 28, 2022 from URL:
<https://www.amazon.co.uk/dp/B097YTXM26/> (Year: 2021).*
Foldable Gift Boxes. [online] Published Nov. 18, 2021. Retrieved
from URL: <http://www.gift-box.net/blog/category/foldable-gift-boxes#.Yr8KxifMJJaQ> (Year: 2021).*

* cited by examiner

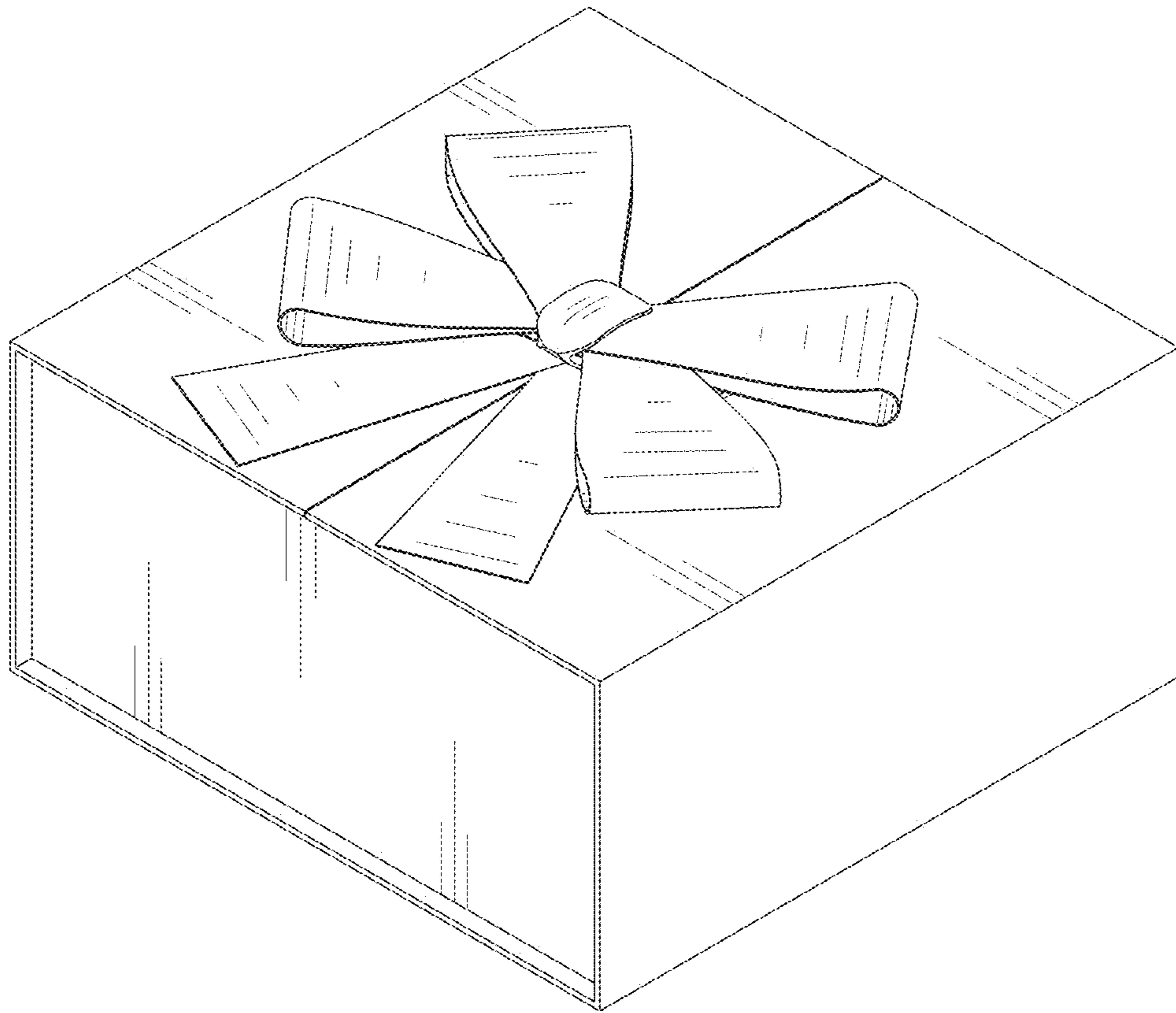


FIG. 1

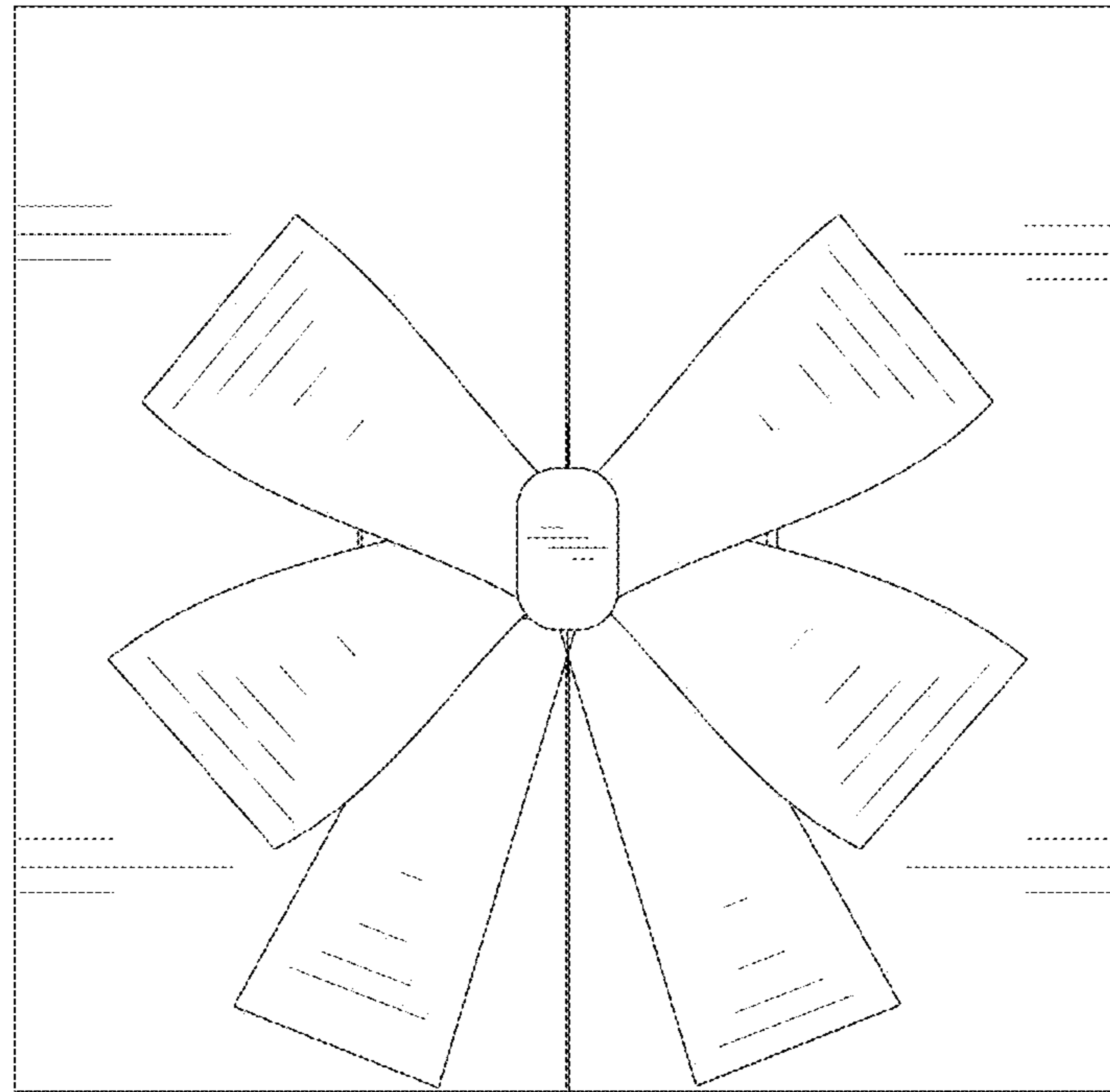


FIG. 2

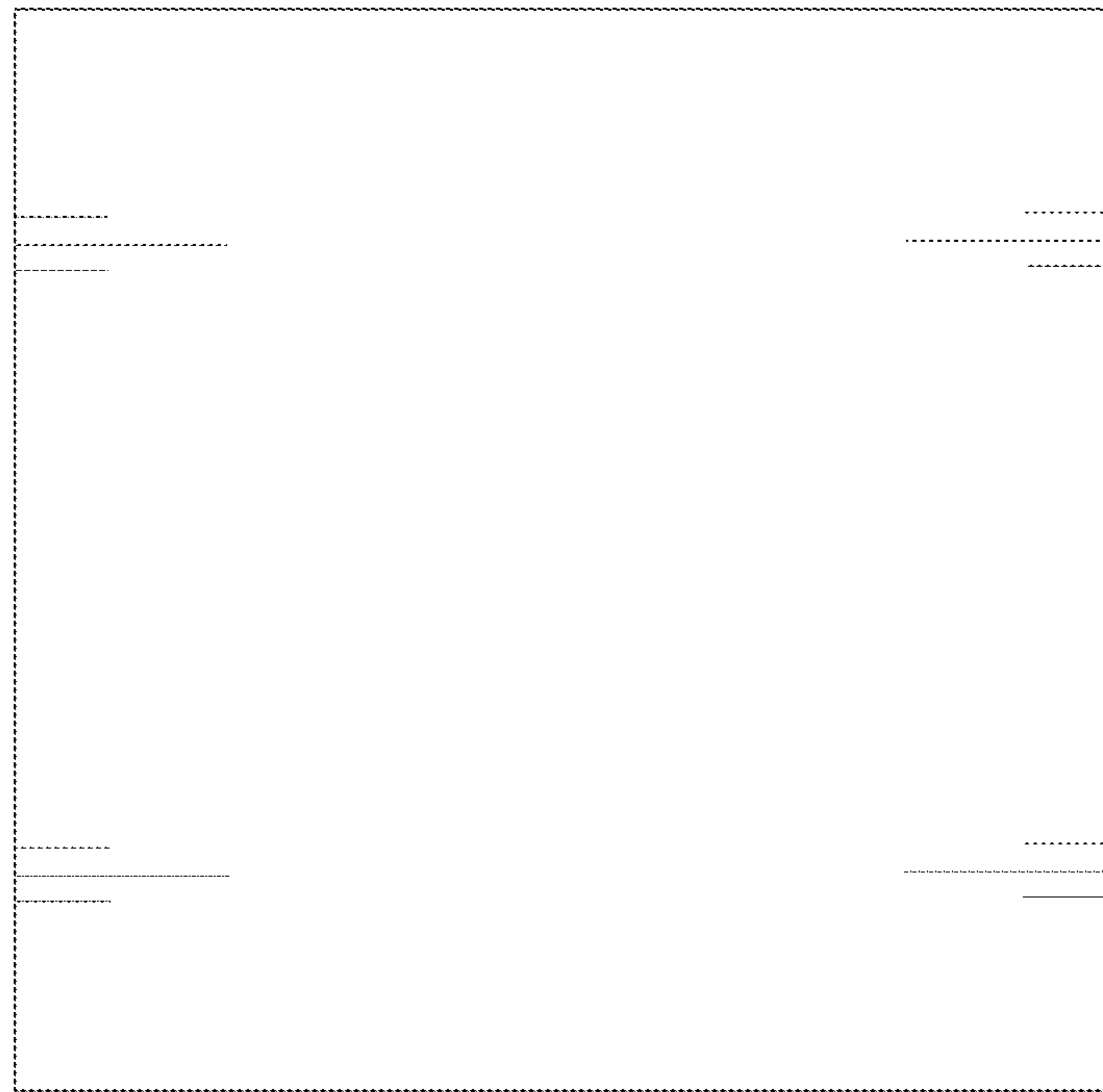


FIG. 3

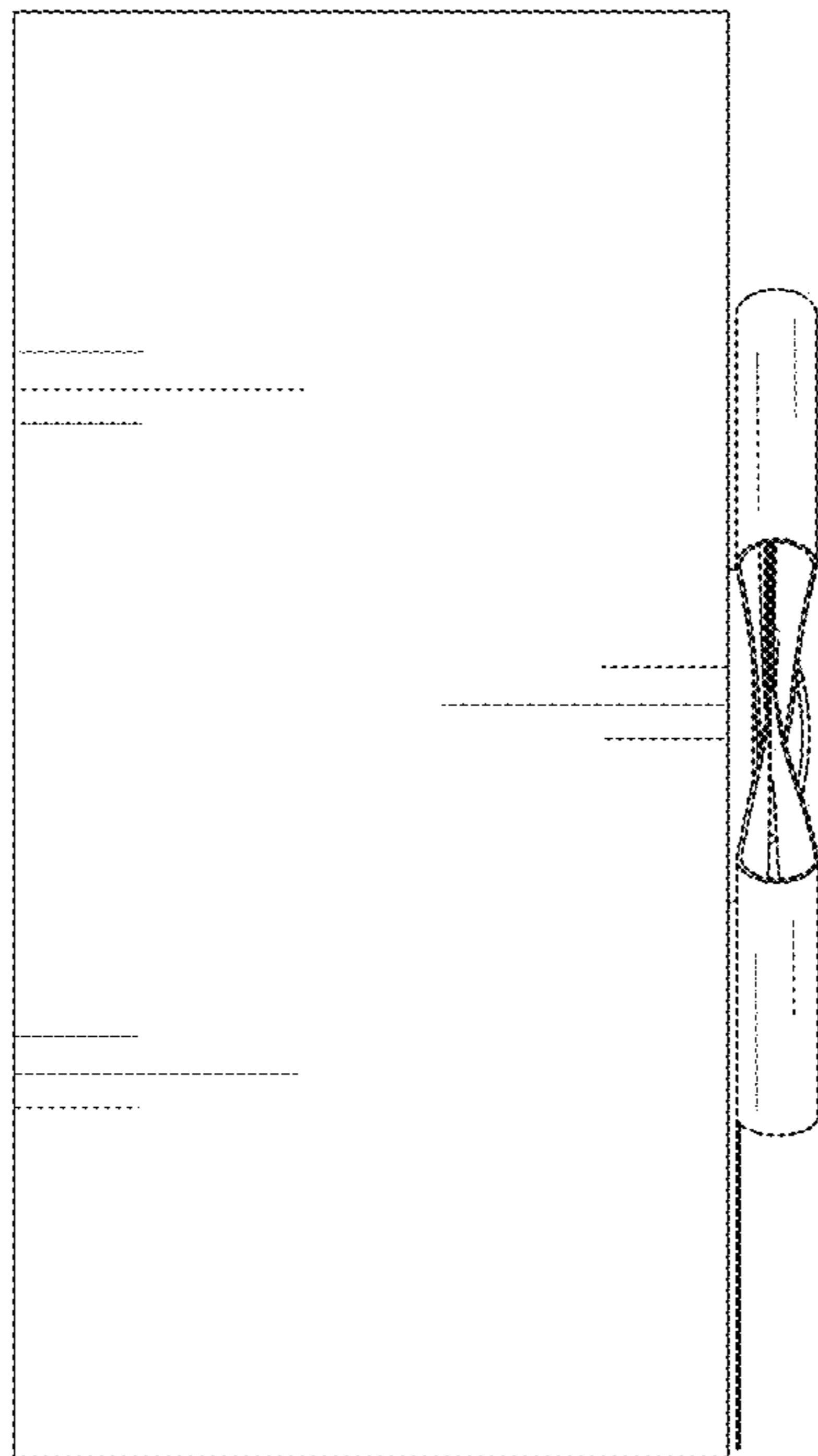


FIG. 4

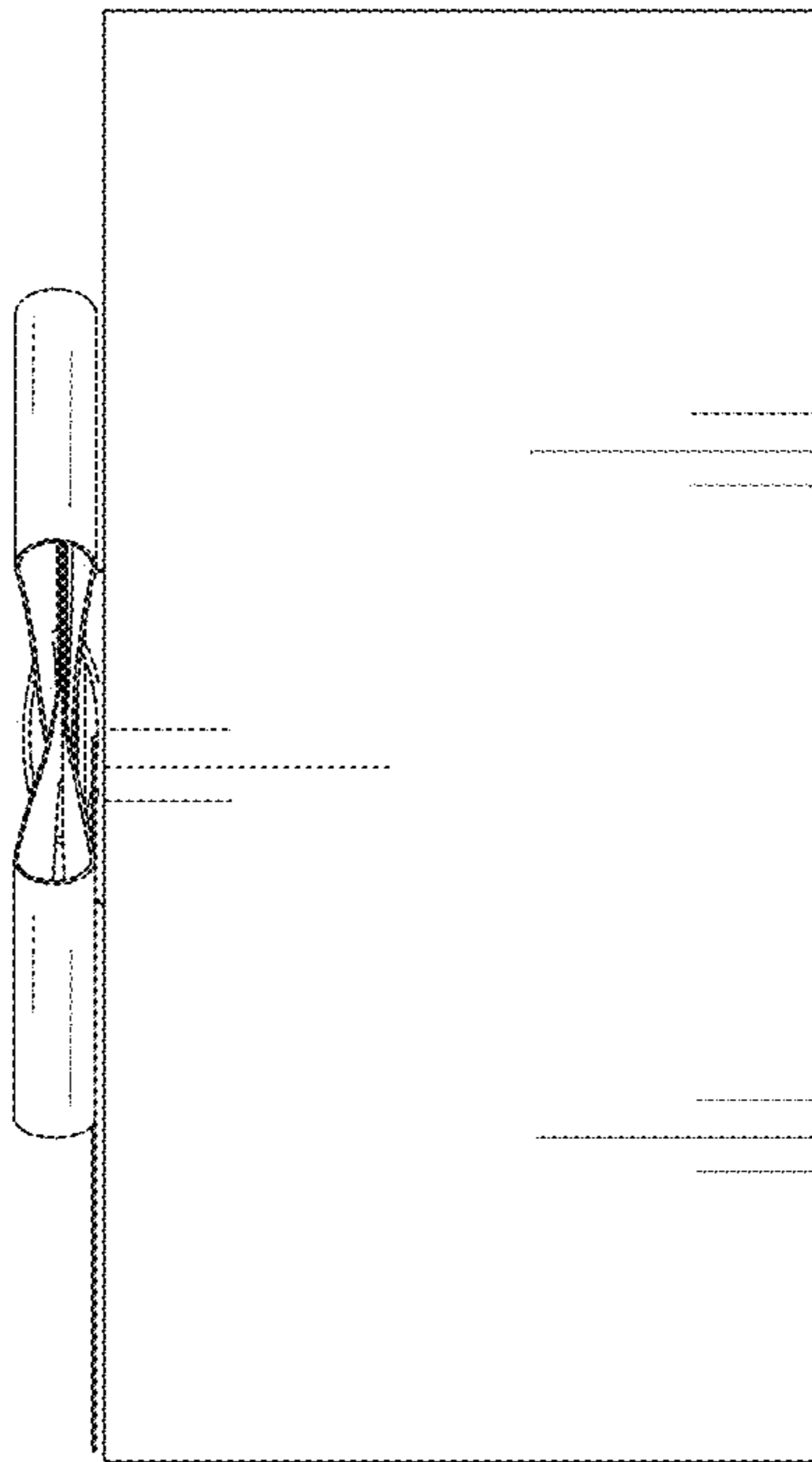


FIG. 5

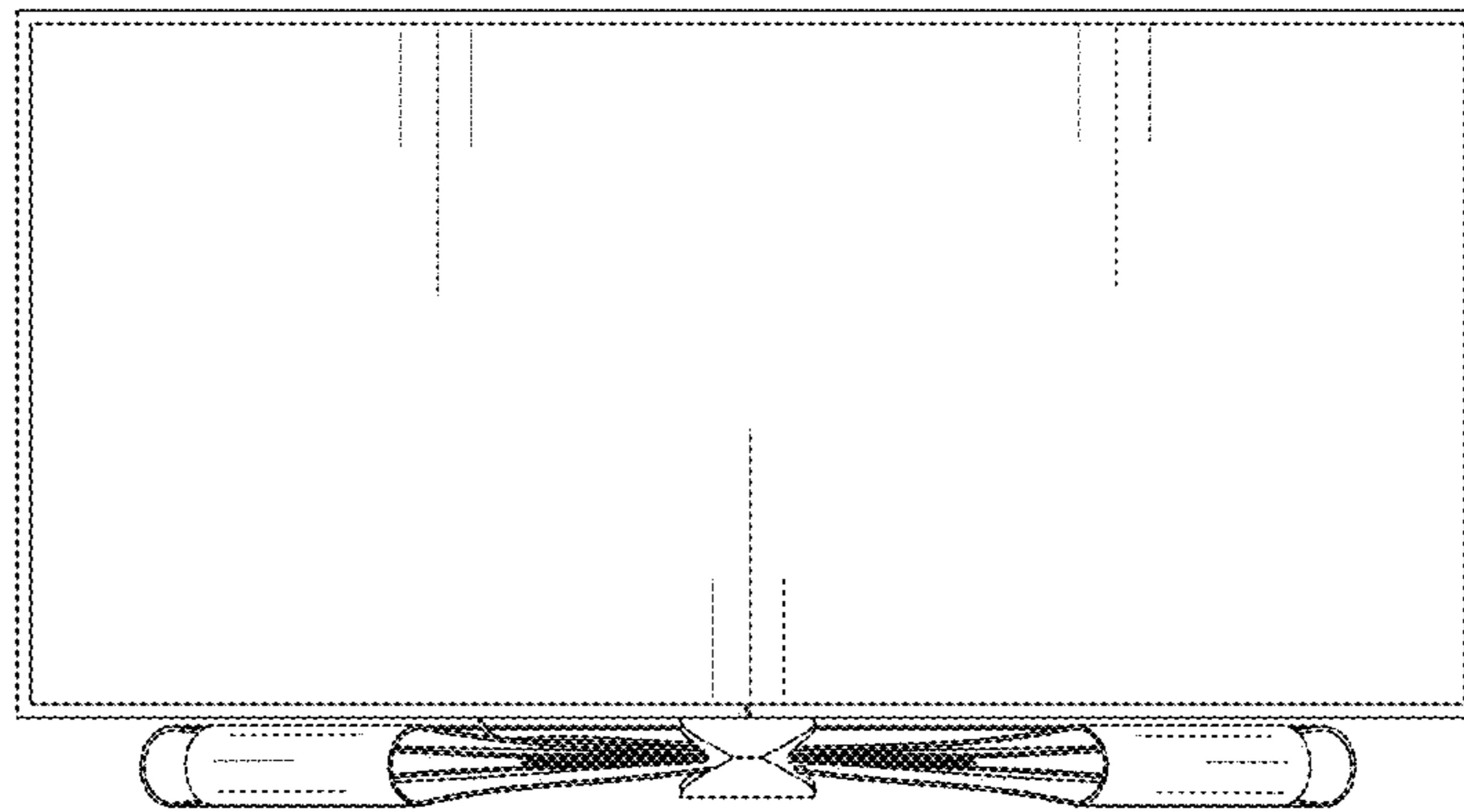


FIG. 6

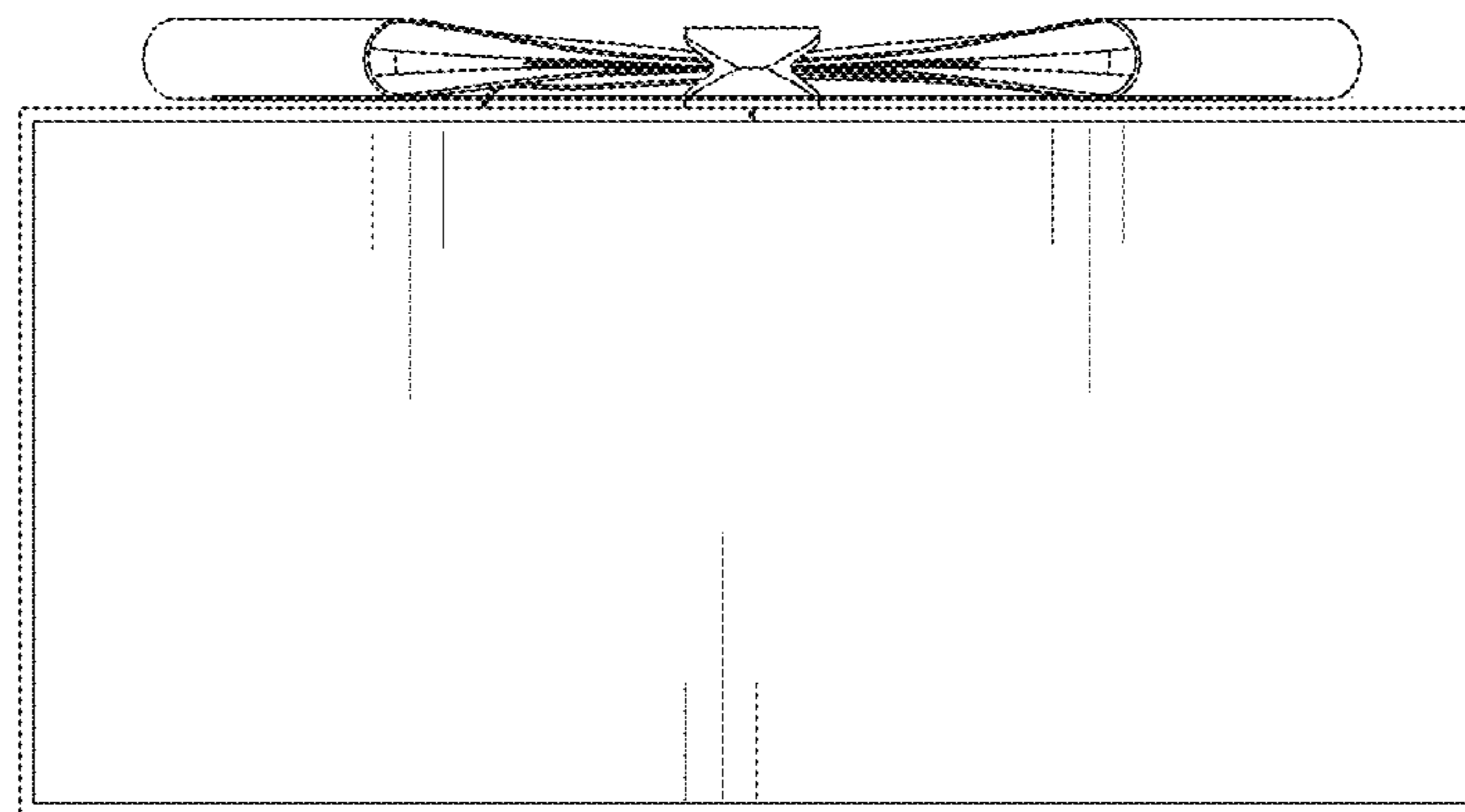


FIG. 7

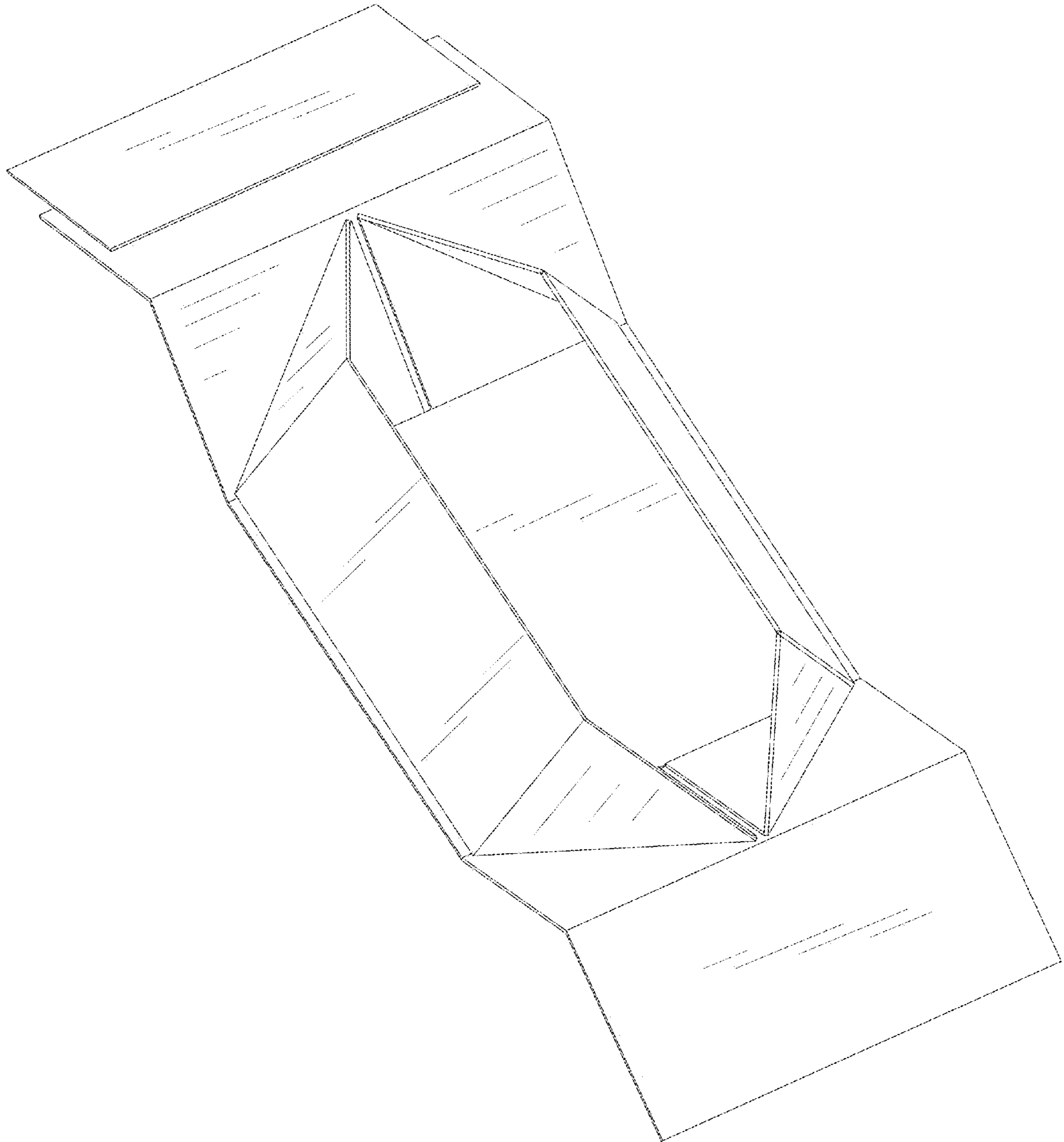


FIG. 8