



US00D968948S

(12) **United States Design Patent** (10) **Patent No.:** **US D968,948 S**
Youdovin (45) **Date of Patent:** **** Nov. 8, 2022**

(54) **CONCENTRATED CLEANER CAPSULE**
(71) Applicant: **Butler’s Brand, Inc.**, New York, NY (US)
(72) Inventor: **David N. Youdovin**, New York, NY (US)
(73) Assignee: **Butler’s Brand, Inc.**, New York, NY (US)
(**) Term: **15 Years**
(21) Appl. No.: **29/703,079**
(22) Filed: **Aug. 23, 2019**
(51) **LOC (13) Cl.** **09-03**
(52) **U.S. Cl.**
USPC **D9/428**
CPC **B05B 15/30** (2018.02)
(58) **Field of Classification Search**
USPC D7/400, 540, 601, 602, 630, 629;
D9/772, 774–779, 414, 416, 418, 424,
D9/425, 428, 429, 434, 435, 438, 454,
D9/500, 503, 504, 516, 518, 549, 558,
D9/715, 716
CPC . B05B 15/30; B05B 11/0037; B05B 11/0081;
B05B 11/0054; B05B 11/3057; B05B
7/2472; B05B 11/0038
See application file for complete search history.

6,645,537 B2 * 11/2003 Sweeney B65D 85/8061
426/115
6,658,989 B2 * 12/2003 Sweeney A47J 31/446
99/322
D502,362 S * 3/2005 Lazaris D7/400
D621,698 S * 8/2010 Cometto D9/428
D637,484 S * 5/2011 Winkler D9/417
D703,039 S * 4/2014 Hansen D9/429
8,720,320 B1 * 5/2014 Rivera A47J 31/0678
99/295
8,734,881 B2 * 5/2014 Yoakim A47J 31/3623
99/302 R
D723,329 S * 3/2015 Dakis D7/400
D757,537 S * 5/2016 Trombetta D9/429
9,402,501 B1 * 8/2016 Vu A47J 31/0642
D767,331 S * 9/2016 Burrows D7/400
D771,434 S * 11/2016 Burrows D7/400
9,756,974 B2 * 9/2017 Rivera A47J 31/06
D815,925 S * 4/2018 Rapparini D7/400
D826,054 S * 8/2018 Trombetta D9/503
D842,093 S * 3/2019 Rapparini D9/429
D842,094 S * 3/2019 Rapparini D9/429
D858,279 S * 9/2019 Trombetta D9/434
D884,475 S * 5/2020 Rapparini D9/500
D885,189 S * 5/2020 Rapparini D9/500

(Continued)

Primary Examiner — Richard E Chilcot
(74) *Attorney, Agent, or Firm* — Alston & Bird LLP

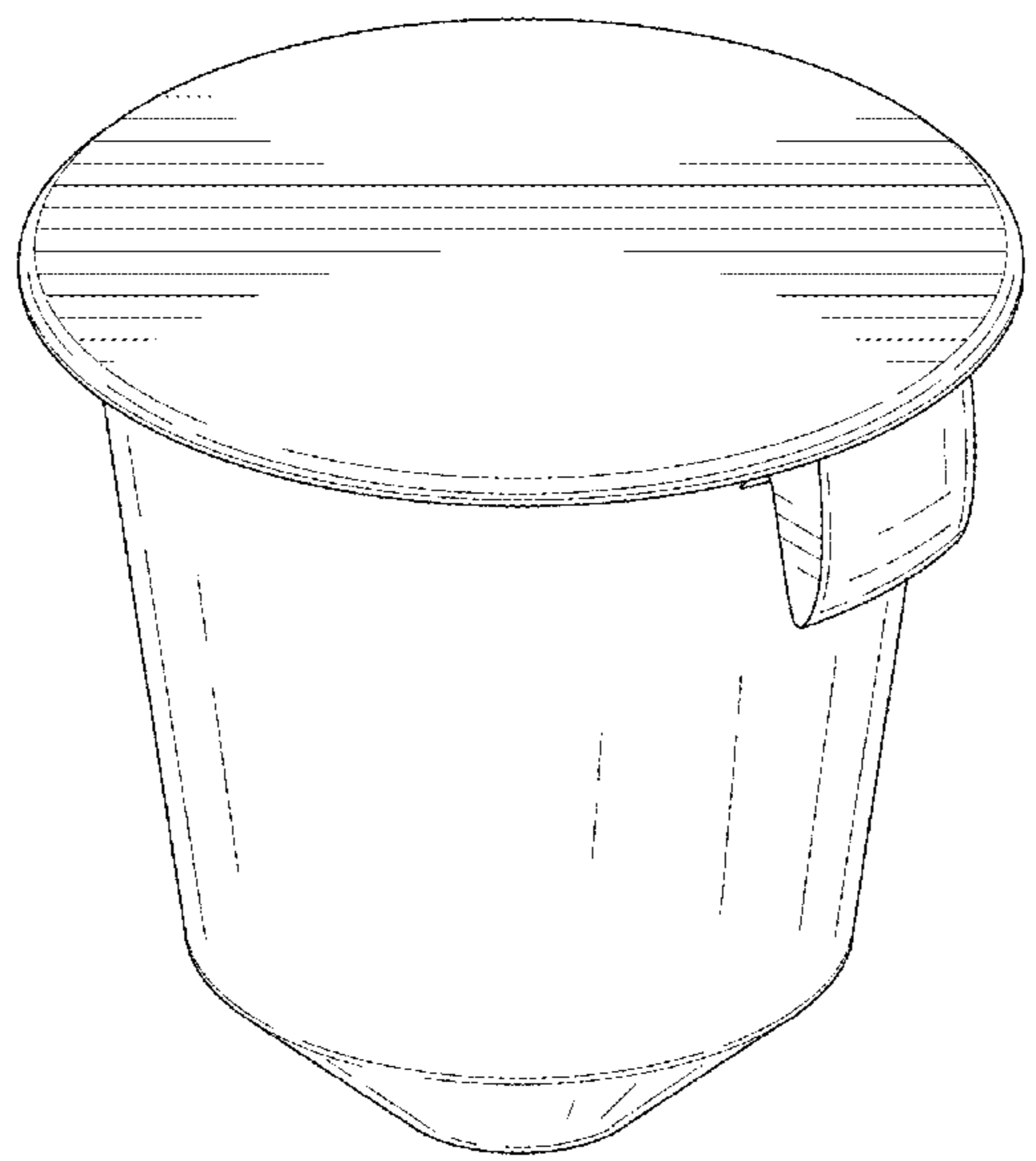
(57) **CLAIM**
The ornamental design for a concentrated cleaner capsule, as shown and described.

DESCRIPTION

FIG. 1 is a perspective view of a concentrated cleaner capsule showing the new design;
FIG. 2 is a front side elevation view thereof;
FIG. 3 is a back side elevation view thereof;
FIG. 4 is a right side elevation view thereof;
FIG. 5 is a left side elevation view thereof;
FIG. 6 is a top plan view thereof; and,
FIG. 7 is a bottom plan view thereof.

1 Claim, 5 Drawing Sheets

(56) **References Cited**
U.S. PATENT DOCUMENTS
D255,313 S * 6/1980 Elkerbout D7/400
D374,911 S * 10/1996 Kahana D23/209
D381,141 S * 7/1997 Balz D32/29.1
D383,264 S * 9/1997 Balz D32/29.1
D452,433 S * 12/2001 Lazaris D9/429
D452,434 S * 12/2001 Sweeney D9/429
D474,110 S * 5/2003 Sweeney D9/425
D474,111 S * 5/2003 Lazaris D9/425



(56)

References Cited

U.S. PATENT DOCUMENTS

10,766,045 B1 * 9/2020 Youdovin B08B 3/08
D920,097 S * 5/2021 Rapparini D9/428
D927,250 S * 8/2021 Kruger D7/400
D934,075 S * 10/2021 Oh D9/454
11,278,149 B2 * 3/2022 Ulman A47J 31/0689
2013/0017303 A1 * 1/2013 Vu A47J 31/0689
426/433
2015/0239655 A1 * 8/2015 Schroeder B65D 85/8046
426/115
2016/0022088 A1 * 1/2016 Dick A47J 31/60
220/604
2017/0014843 A1 * 1/2017 Richman B05B 15/30
2018/0220834 A1 * 8/2018 Moon A47J 31/0642
2018/0220840 A1 * 8/2018 Vorfeld A47J 31/4492
2018/0255960 A1 * 9/2018 Moon A47J 31/56
2018/0325309 A1 * 11/2018 Short A47J 31/60
2020/0383551 A1 * 12/2020 Youdovin A47L 13/22

* cited by examiner

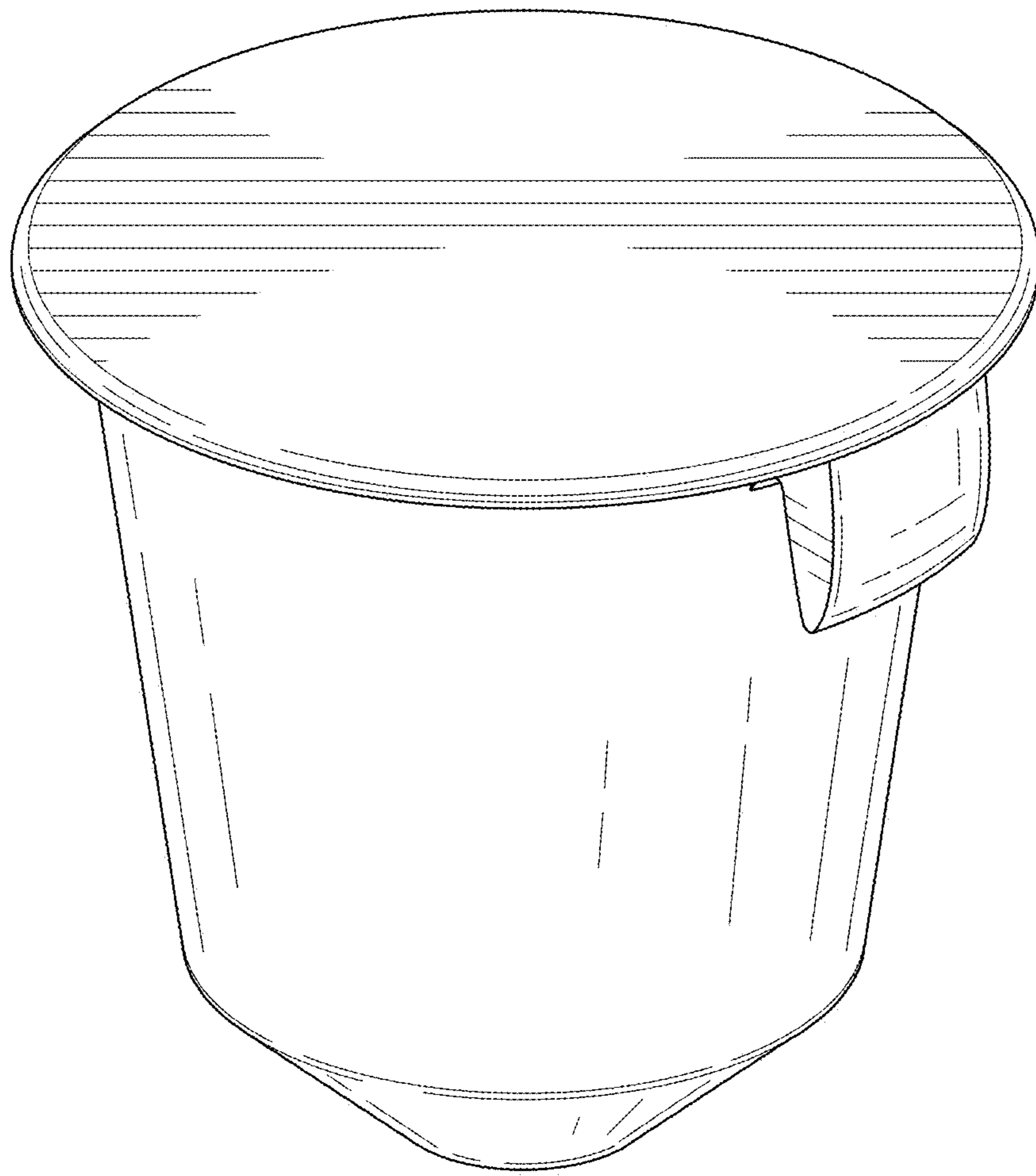


FIG. 1

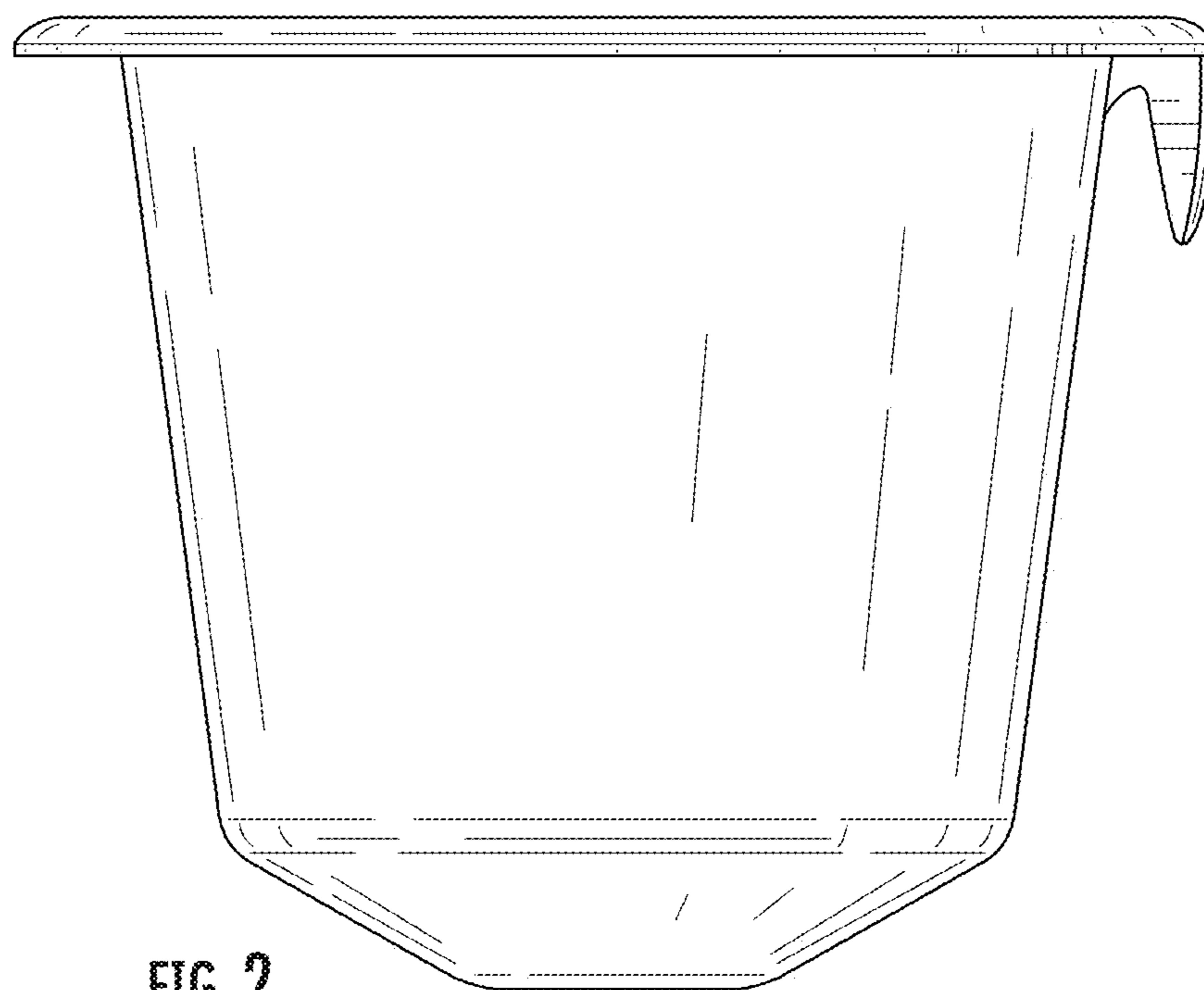


FIG. 2

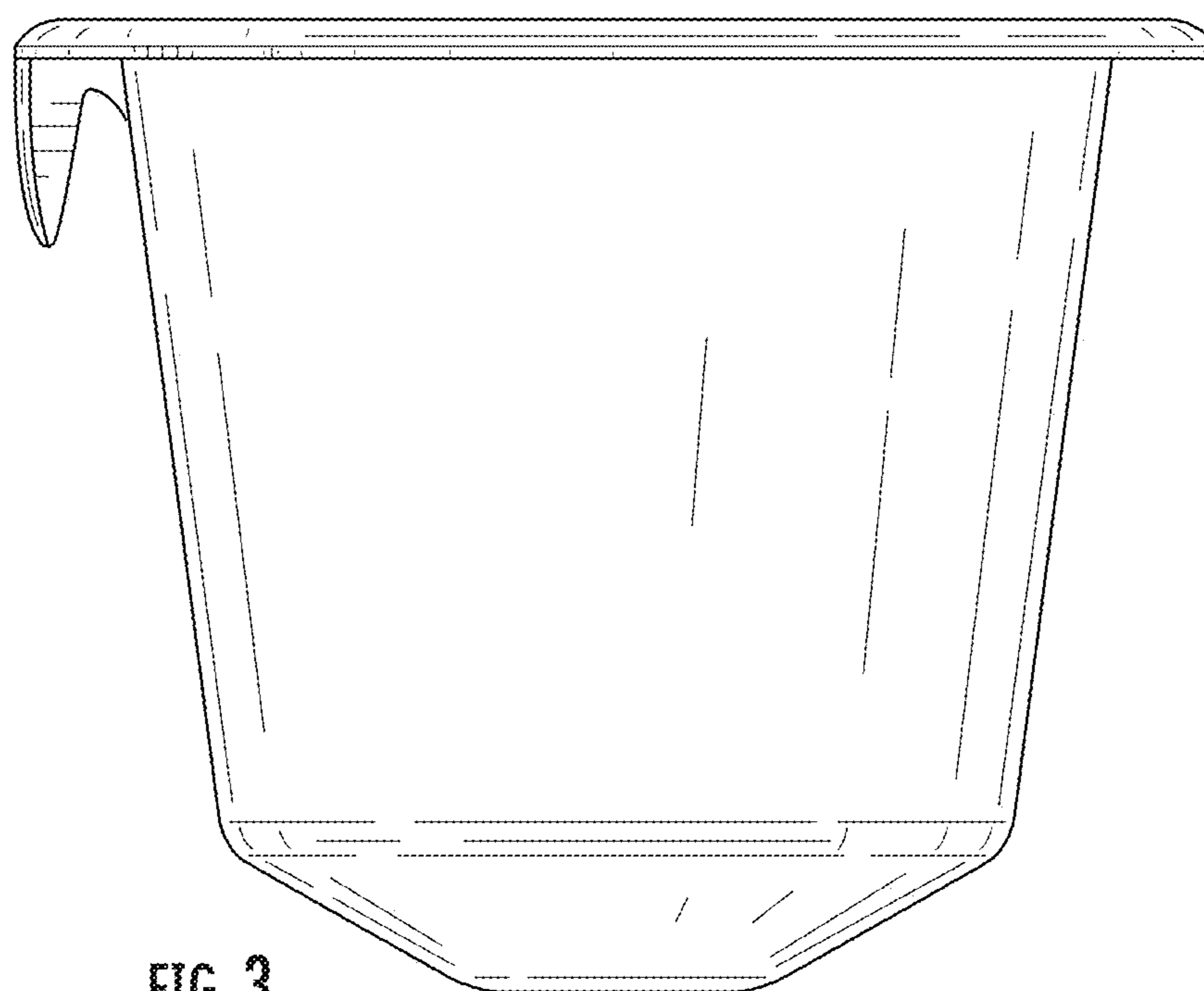


FIG. 3

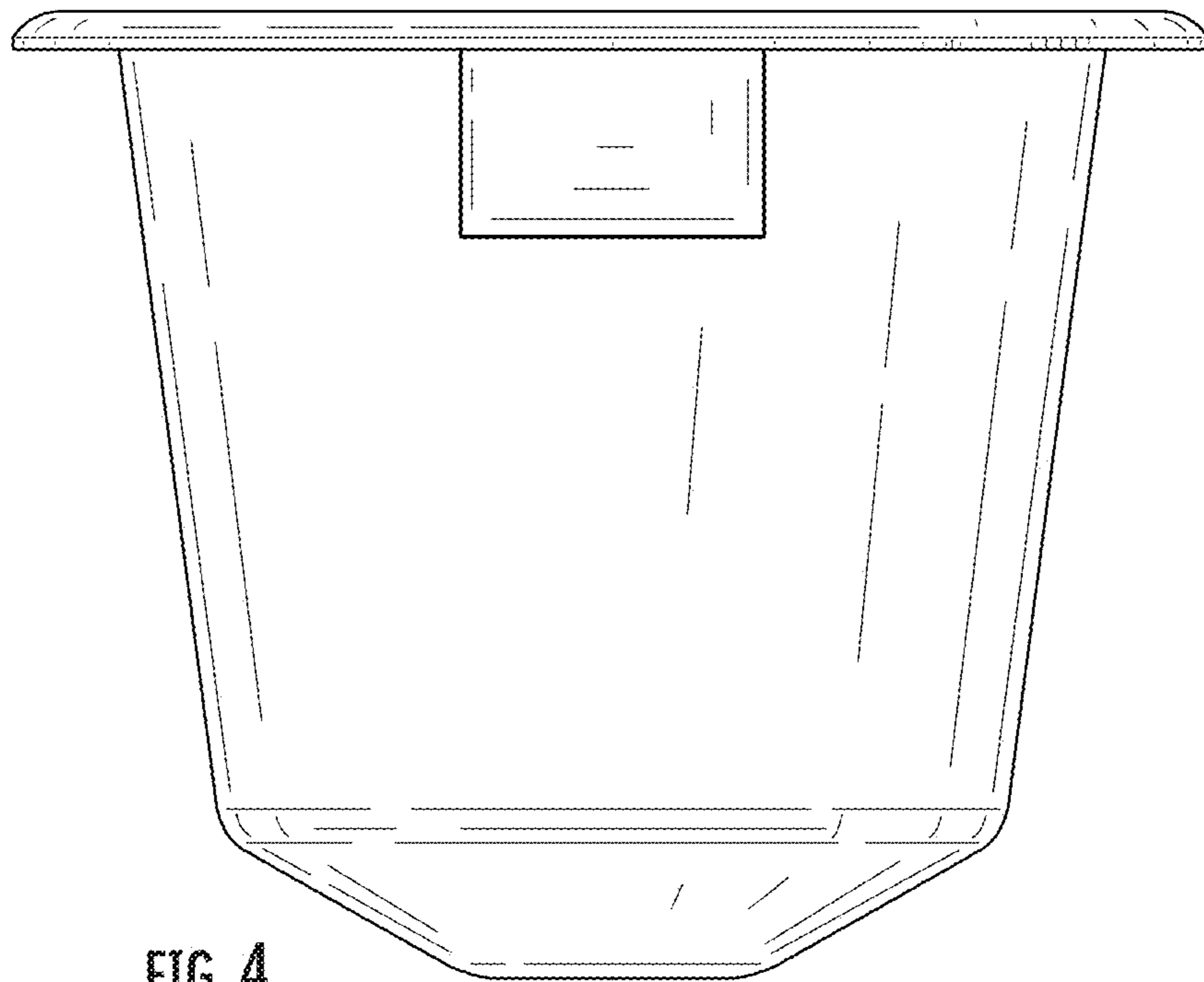


FIG. 4

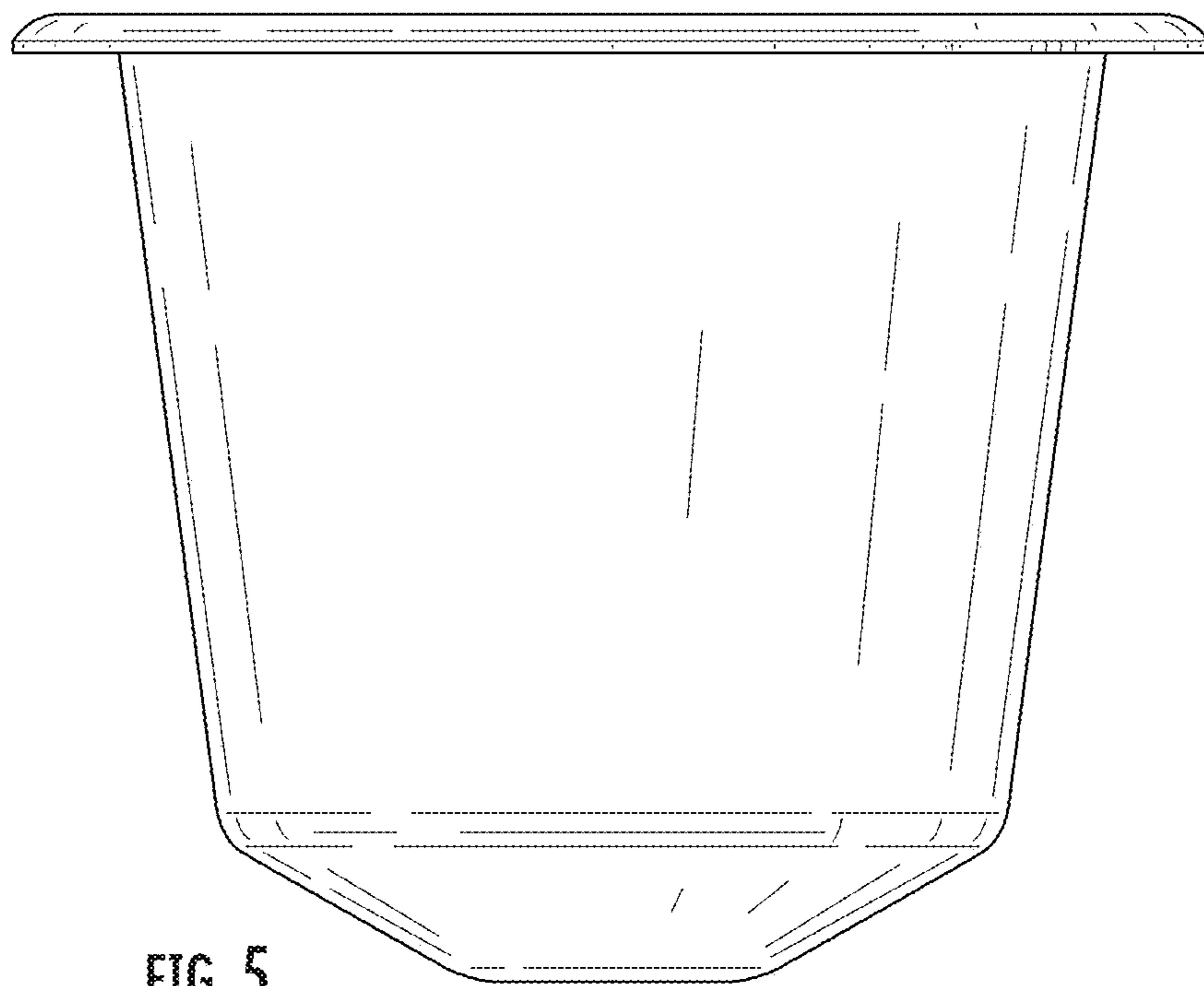


FIG. 5

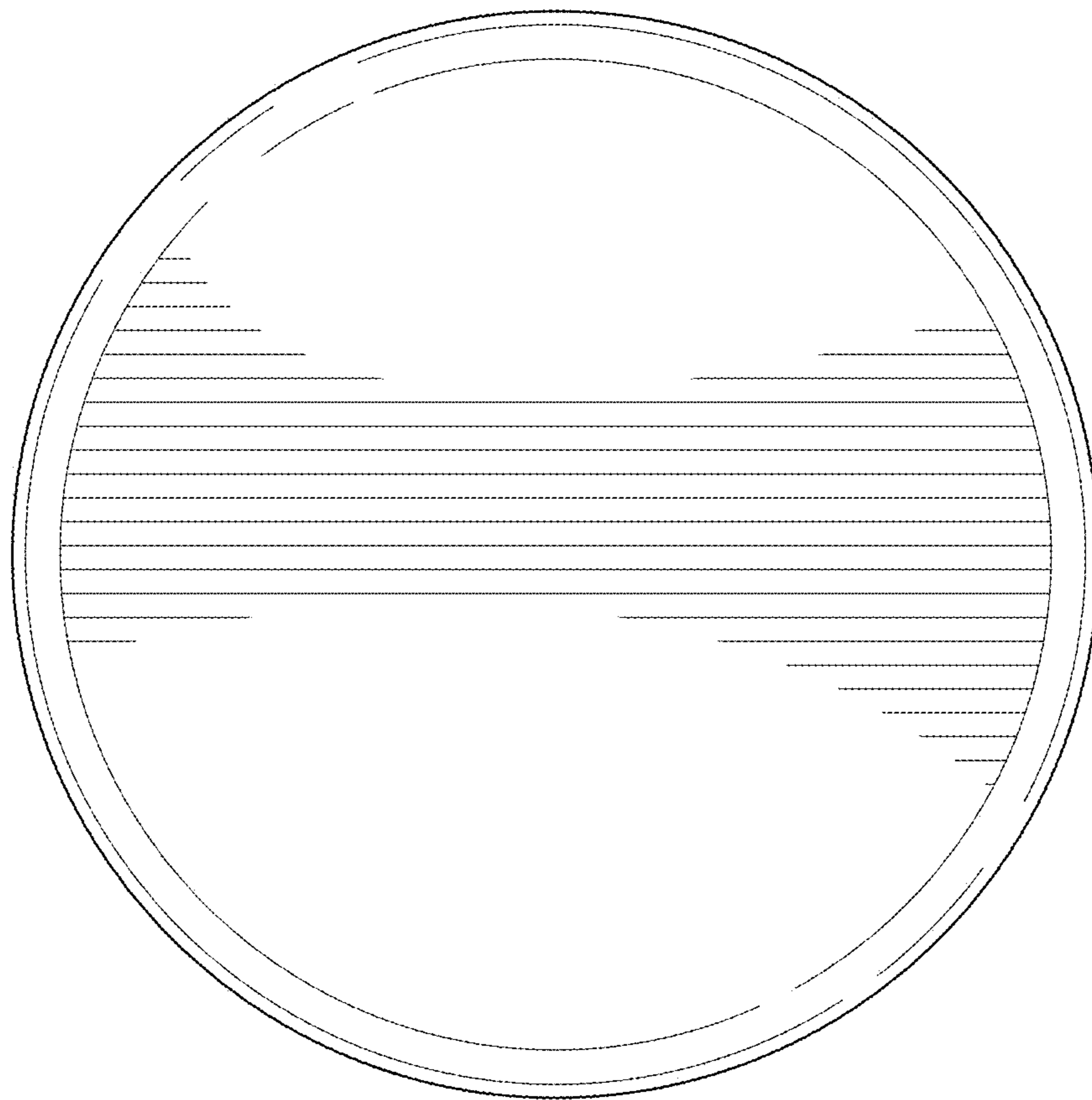


FIG. 6

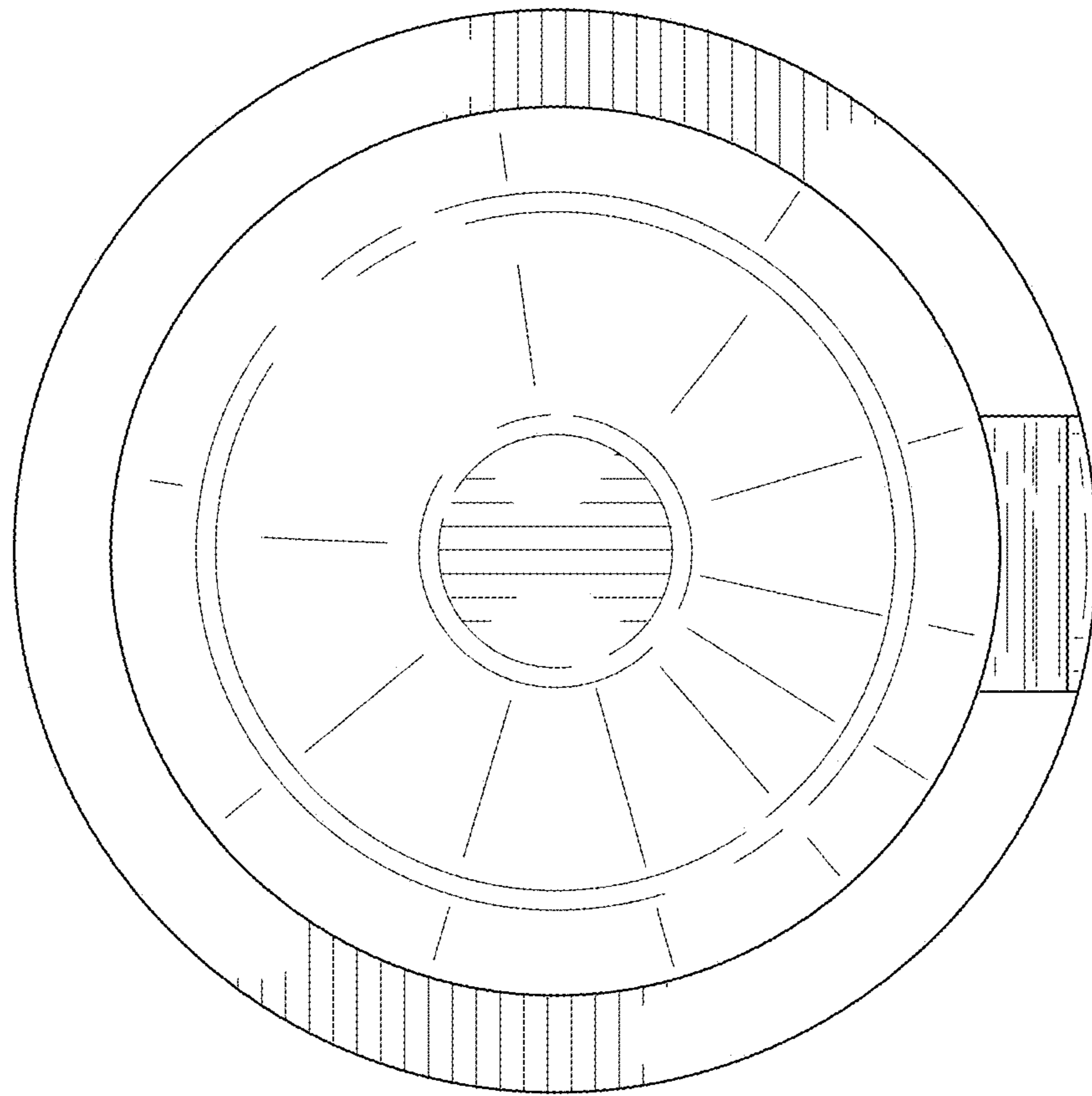


FIG. 7