



US00D968947S

(12) **United States Design Patent**  
**Smith et al.**

(10) **Patent No.:** **US D968,947 S**  
(45) **Date of Patent:** **\*\* Nov. 8, 2022**

- (54) **CONTAINER**
- (71) Applicant: **ALL PLASTIC, INC.**, Rancho Cordova, CA (US)
- (72) Inventors: **William Thomas Smith**, Fair Oaks, CA (US); **Cheryl Ann Smith**, Fair Oaks, CA (US)
- (73) Assignee: **ALL PLASTIC, INC.**, Rancho Cordova, CA (US)
- (\*\*) Term: **15 Years**
- (21) Appl. No.: **29/825,524**
- (22) Filed: **Feb. 2, 2022**

7,144,851	B2 *	12/2006	Kosub	.....	C11D 17/0078
					510/294
D566,893	S *	4/2008	McCarthy	.....	D28/8.1
D572,086	S *	7/2008	Matsumoto	.....	D7/614
8,393,485	B2 *	3/2013	Gold	.....	B65D 21/0202
					206/508
D761,008	S *	7/2016	Lande	.....	D3/203.2
D768,923	S *	10/2016	Dietvorst	.....	D28/8.1
D800,845	S *	10/2017	Sprague	.....	D21/499
D812,812	S *	3/2018	Zuckerman	.....	D28/8.1
D844,894	S *	4/2019	Gerhards	.....	D28/8.1
D884,050	S *	5/2020	Le	.....	D14/314
D902,972	S *	11/2020	Nishimura	.....	D16/202
D922,198	S *	6/2021	Smith	.....	D9/422
D943,198	S *	2/2022	Gerhards	.....	D28/8.1
11,235,909	B2 *	2/2022	Smith	.....	A61L 9/013
D945,877	S *	3/2022	Smith	.....	A47F 3/145
					D9/418

(Continued)

Primary Examiner — Rhea Shields

**Related U.S. Application Data**

- (62) Division of application No. 29/691,120, filed on May 14, 2019, now Pat. No. Des. 945,877.
- (51) **LOC (13) Cl.** ..... **09-03**
- (52) **U.S. Cl.**  
USPC ..... **D9/418**
- (58) **Field of Classification Search**  
USPC ..... D9/418, 575, 745, 422; D28/8.1;  
D16/202; D14/314; D3/203.2; D7/614;  
D21/499  
CPC ..... A01G 9/14; A61L 9/013; B65D 21/0202;  
B65D 25/22; C11D 17/0078; A47F 3/145  
See application file for complete search history.

(56) **References Cited**

**U.S. PATENT DOCUMENTS**

D443,108	S *	5/2001	Friesenhahn	.....	D28/8.1
D447,944	S *	9/2001	Justice	.....	D9/745
D468,636	S *	1/2003	Weinstein	.....	D9/418
D531,514	S *	11/2006	Harris	.....	D9/575

(57) **CLAIM**

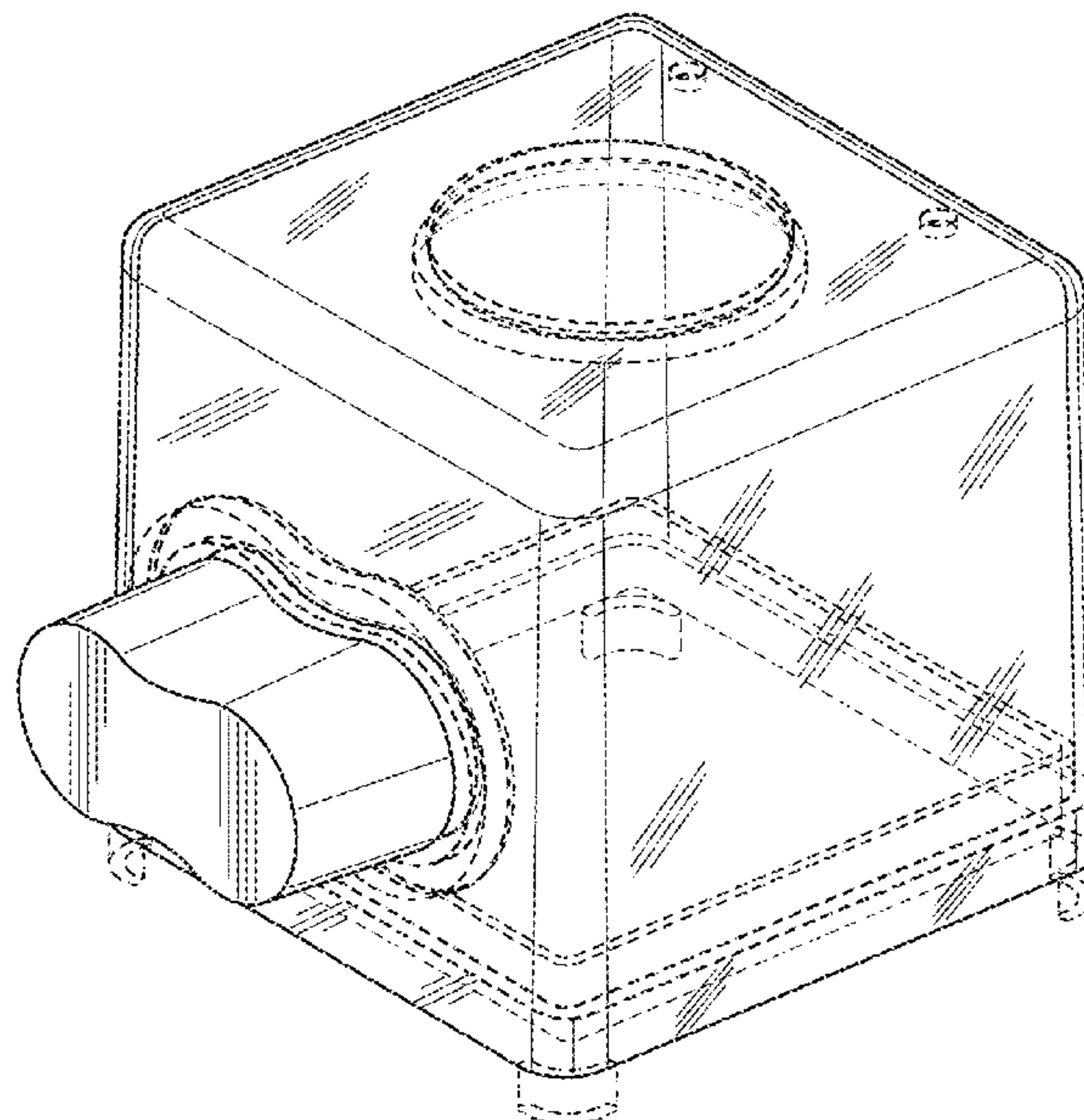
The ornamental design for a container, as shown and described.

**DESCRIPTION**

FIG. 1 is a perspective view of a container showing our new Design;  
 FIG. 2 is a right-side view of the container shown in FIG. 1;  
 FIG. 3 is a left-side view of the container shown in FIG. 1;  
 FIG. 4 is a front view of the container shown in FIG. 1;  
 FIG. 5 is a rear view of the container shown in FIG. 1;  
 FIG. 6 is a top plan view of the container shown in FIG. 1;  
 and,  
 FIG. 7 is a bottom plan view of the container shown in FIG. 1.

In the drawings, the broken lines are for the purpose of illustrating portions of the container that form no part of the claimed design. All surfaces not shown form no part of the claimed design.

**1 Claim, 4 Drawing Sheets**



(56)

**References Cited**

U.S. PATENT DOCUMENTS

2017/0190482 A1\* 7/2017 Smith ..... B65D 25/22  
2020/0361661 A1\* 11/2020 Smith ..... A01G 9/14

\* cited by examiner

Fig. 1

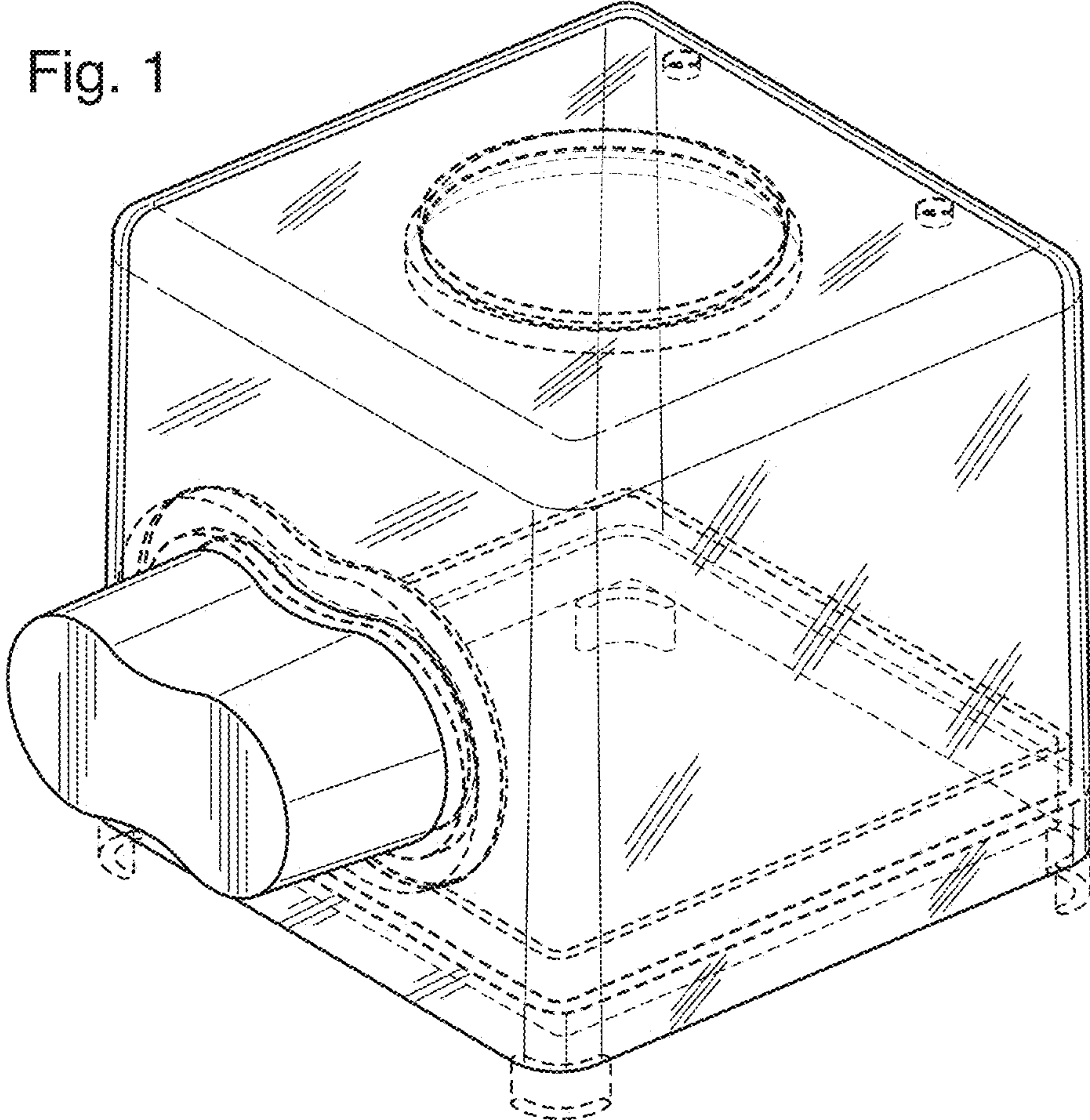


Fig. 2

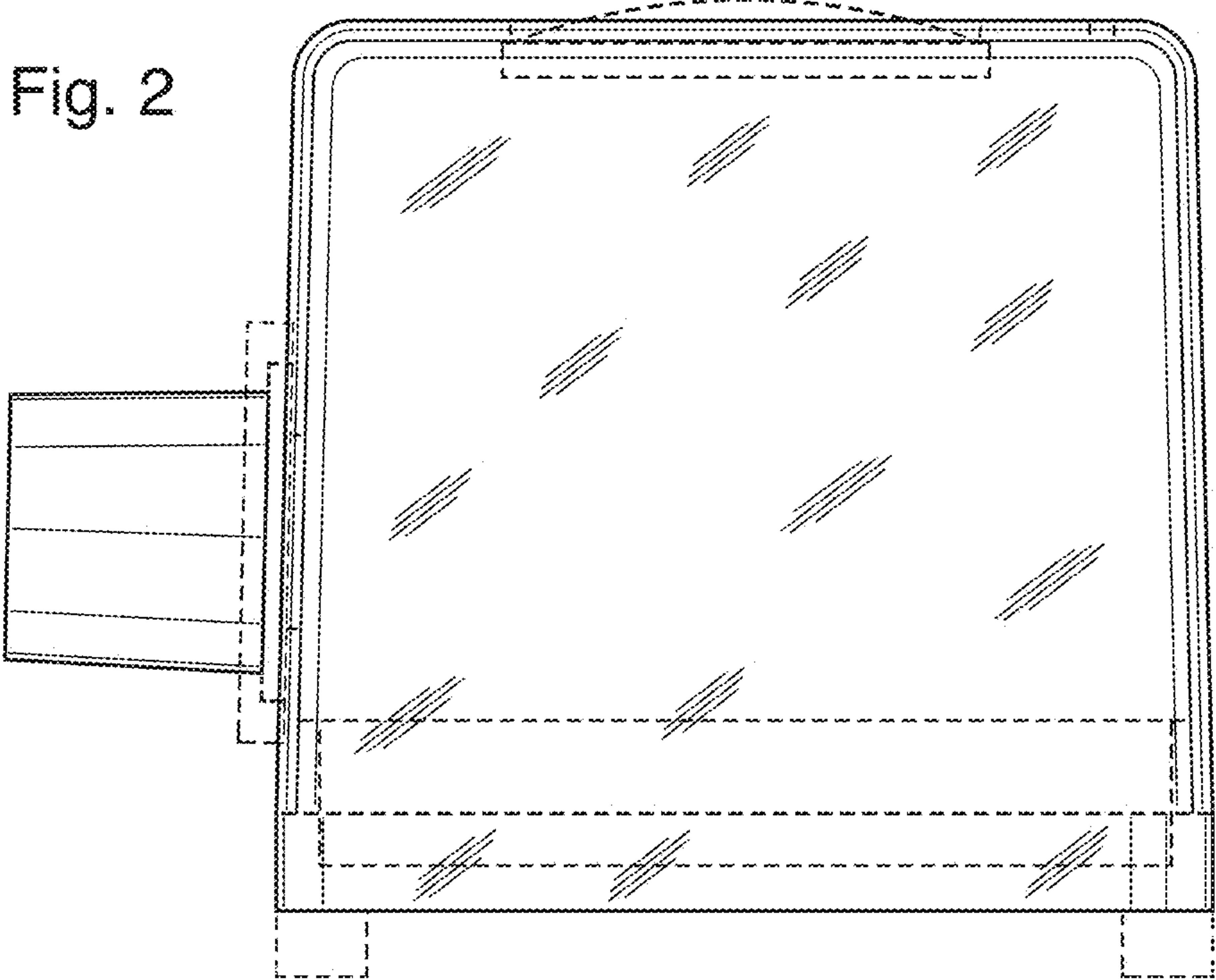


Fig. 3

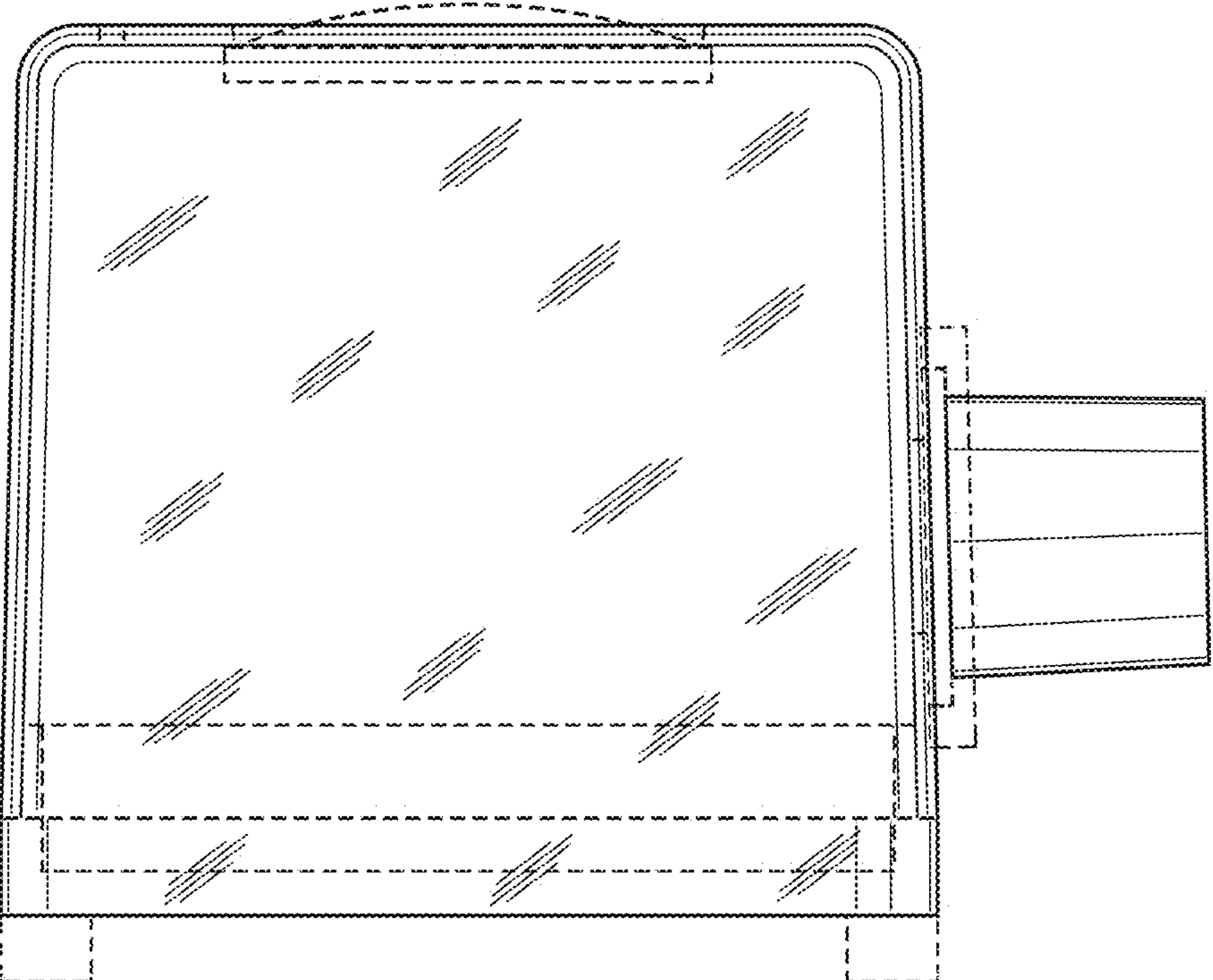




Fig. 4

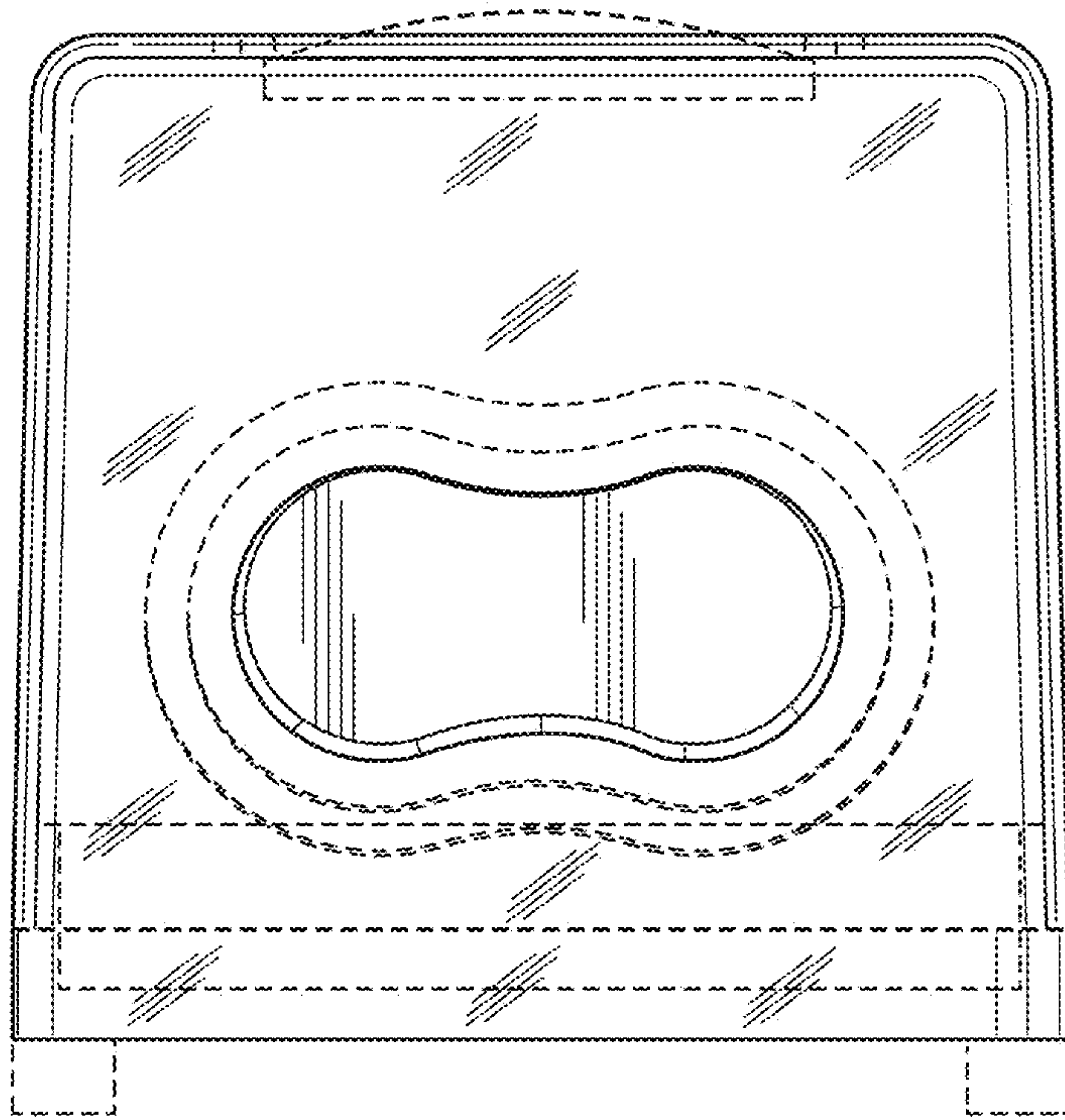


Fig. 5

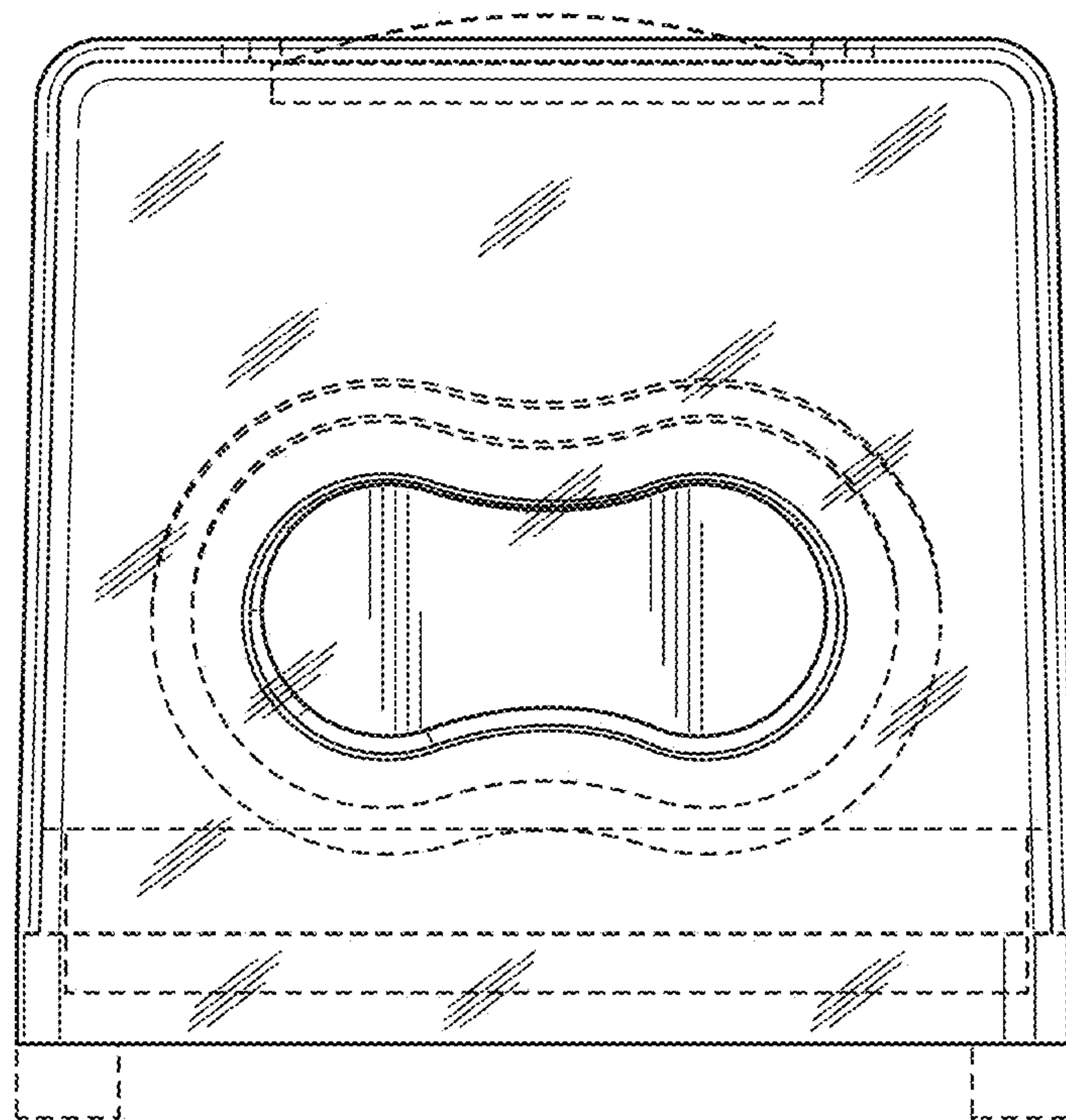


Fig. 6

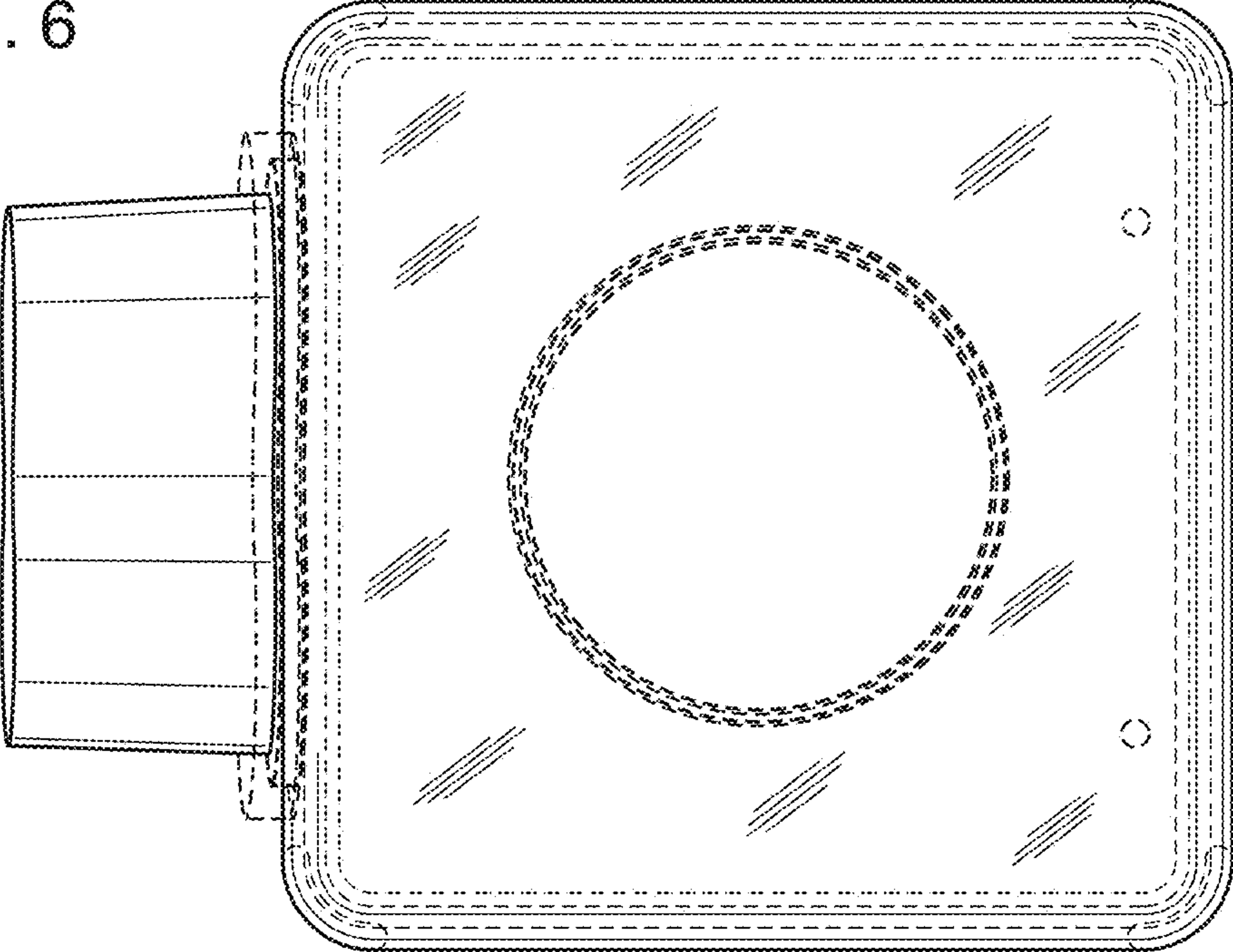


Fig. 7

