



US00D968944S

(12) **United States Design Patent** (10) **Patent No.:** **US D968,944 S**
Liu (45) **Date of Patent:** **** Nov. 8, 2022**

(54) **CABLE CLIP**
(71) Applicant: **Yan Liu**, Xianning (CN)
(72) Inventor: **Yan Liu**, Xianning (CN)
(**) Term: **15 Years**
(21) Appl. No.: **29/847,727**
(22) Filed: **Jul. 27, 2022**
(30) **Foreign Application Priority Data**
Apr. 6, 2022 (CN) 202230189576.2
(51) **LOC (13) Cl.** **08-08**
(52) **U.S. Cl.**
USPC **D8/394**
(58) **Field of Classification Search**
USPC D8/353-356, 363, 376, 380, 381, 384,
D8/394
CPC ... A47B 96/021; A47B 96/027; A47B 96/061;
A47H 1/08; A47H 1/12; A47H 1/122;
A47H 1/124; A47H 1/14; A47H 1/142;
A47H 1/144; B65D 63/109; F16L 3/06;
F16L 3/1025; F16L 3/1058; F16L 3/13;
F16L 3/137; F16L 3/14
See application file for complete search history.

(56) **References Cited**
U.S. PATENT DOCUMENTS
D29,310 S * 9/1898 Goode D8/383
D31,552 S * 9/1899 Heywood 248/65
D32,624 S * 5/1900 Heal D8/380
D33,889 S * 1/1901 Stephens D8/380
D52,265 S * 8/1918 Bosnjak D8/355
D161,799 S * 1/1951 Sprung D8/367
D197,065 S * 12/1963 Nilsson 174/164
3,136,515 A * 6/1964 Potruch F16L 3/13
248/62

D207,057 S * 2/1967 Palmer 174/164
D244,347 S * 5/1977 Ilukowicz D8/356
D259,244 S * 5/1981 Grecol, Jr. D8/371
D317,112 S * 5/1991 Newuirth D8/356
D575,143 S * 8/2008 Kuo D8/394
D581,255 S * 11/2008 Calvin D8/356
D647,788 S * 11/2011 Weaver D8/396
D648,685 S * 11/2011 Symons D13/155
D681,429 S * 5/2013 Heindl D8/382
D681,430 S * 5/2013 Heindl D8/382
D732,009 S * 6/2015 Bak D8/396
D733,534 S * 7/2015 Altrichter D8/356
D795,047 S * 8/2017 McCoy D8/380
D798,134 S * 9/2017 Heindl D8/382
D800,542 S * 10/2017 O'Dea D8/367
D823,672 S * 7/2018 Mogensen D8/382
D826,699 S * 8/2018 Potts D8/356
D836,561 S * 12/2018 Hung D13/155
D840,795 S * 2/2019 Tribbett B65D 63/109
D8/356

(Continued)

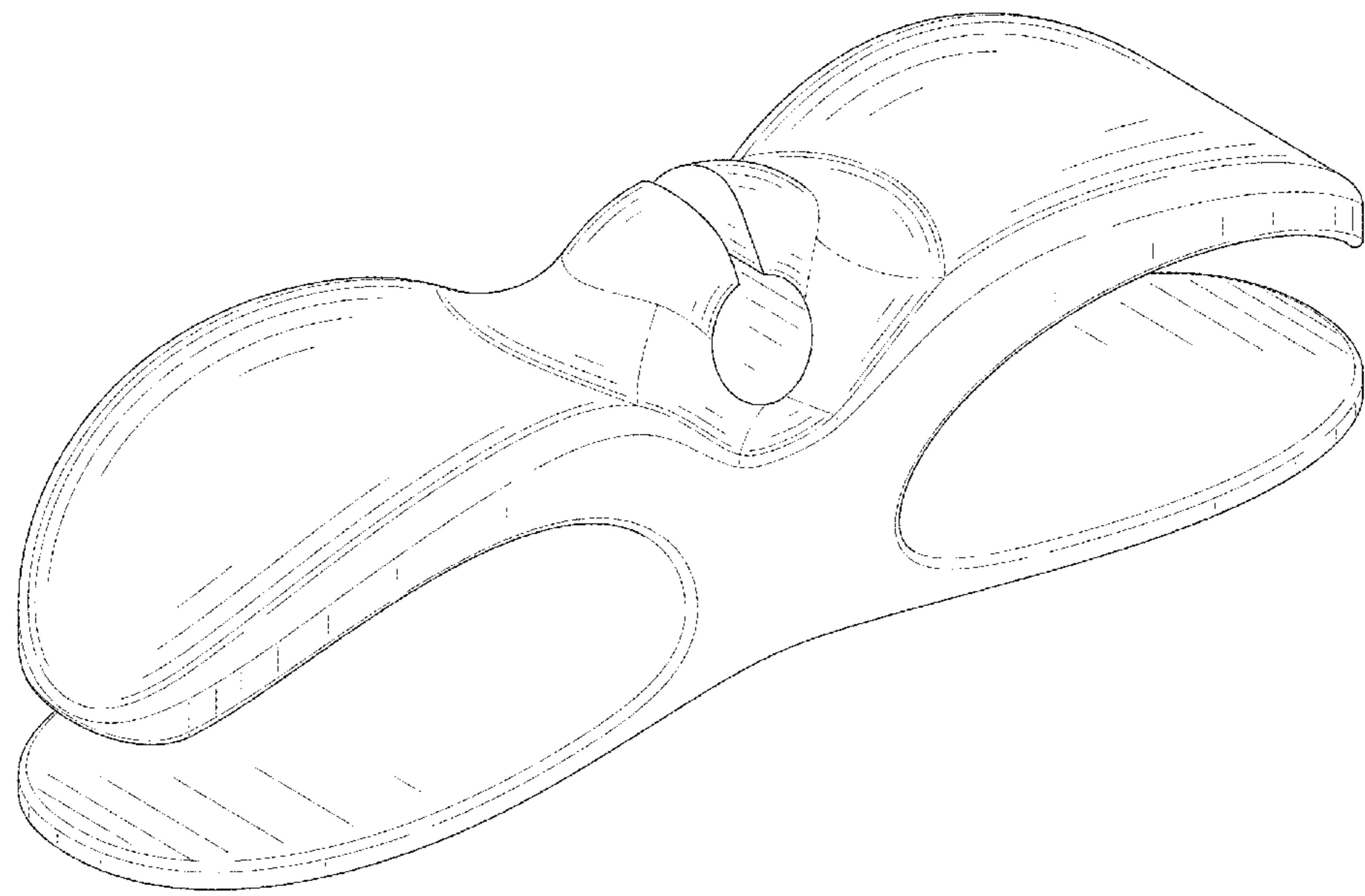
Primary Examiner — Rachel A. Voorhies
Assistant Examiner — Benjamin D. Wannemacher
(74) *Attorney, Agent, or Firm* — Daniel M. Cohn;
Howard M. Cohn

(57) **CLAIM**
The ornamental design for a cable clip, as shown and described.

DESCRIPTION

FIG. 1 is a perspective view of a cable clip showing my new design;
FIG. 2 is another perspective view thereof;
FIG. 3 is a front elevational view thereof;
FIG. 4 is a rear elevational view thereof;
FIG. 5 is a left side elevational view thereof;
FIG. 6 is a right side elevational view thereof;
FIG. 7 is a top plan view thereof; and,
FIG. 8 is a bottom plan view thereof.

1 Claim, 8 Drawing Sheets



(56)

References Cited

U.S. PATENT DOCUMENTS

D852,354 S *	6/2019	Wrangmark	F16L 3/13
			D8/356
D938,263 S	12/2021	Miao et al.	
D947,011 S	3/2022	Yuanxiang	
D961,069 S *	8/2022	O'Dea	D24/128

* cited by examiner

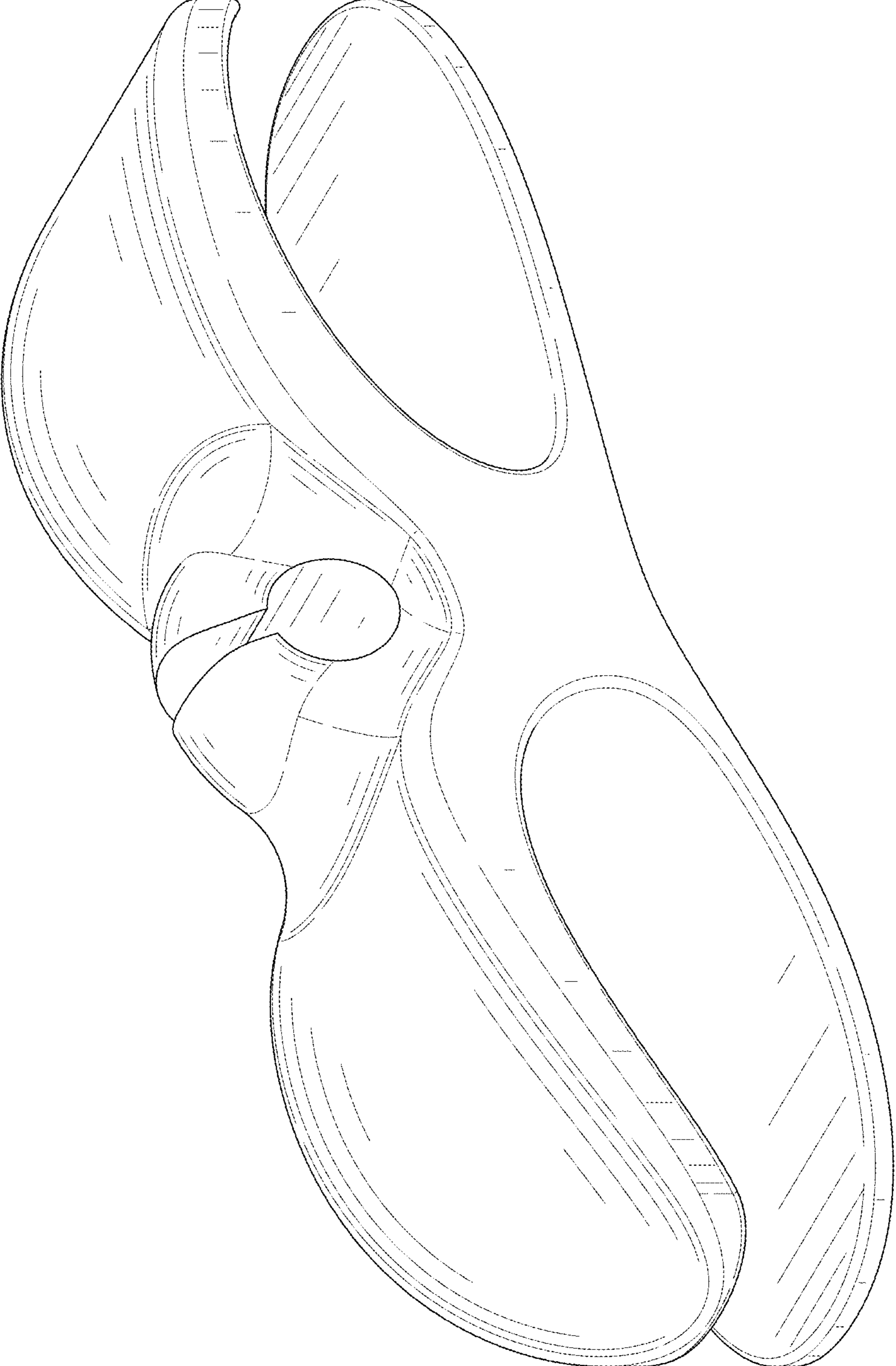


FIG. 1

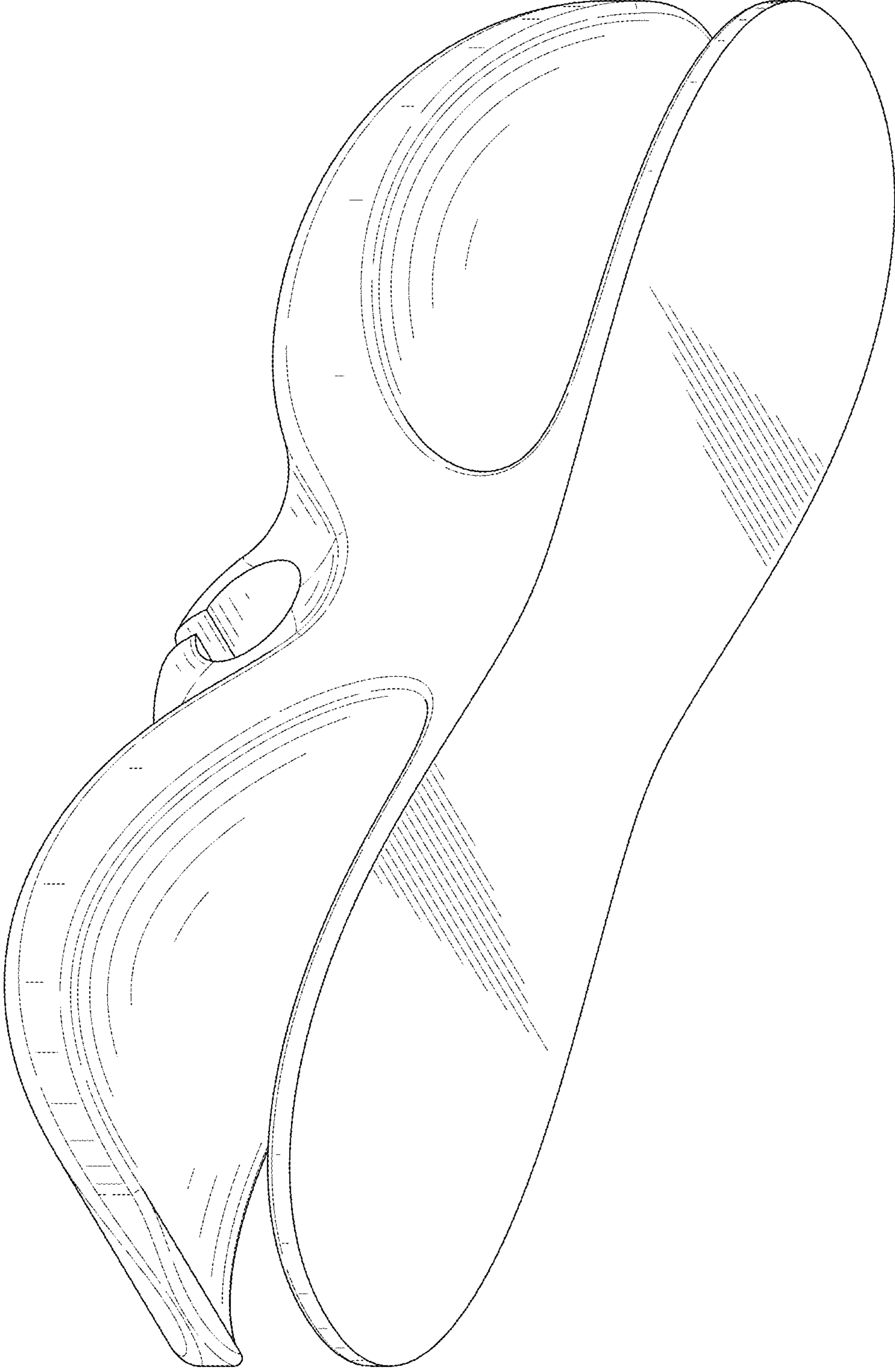


FIG. 2

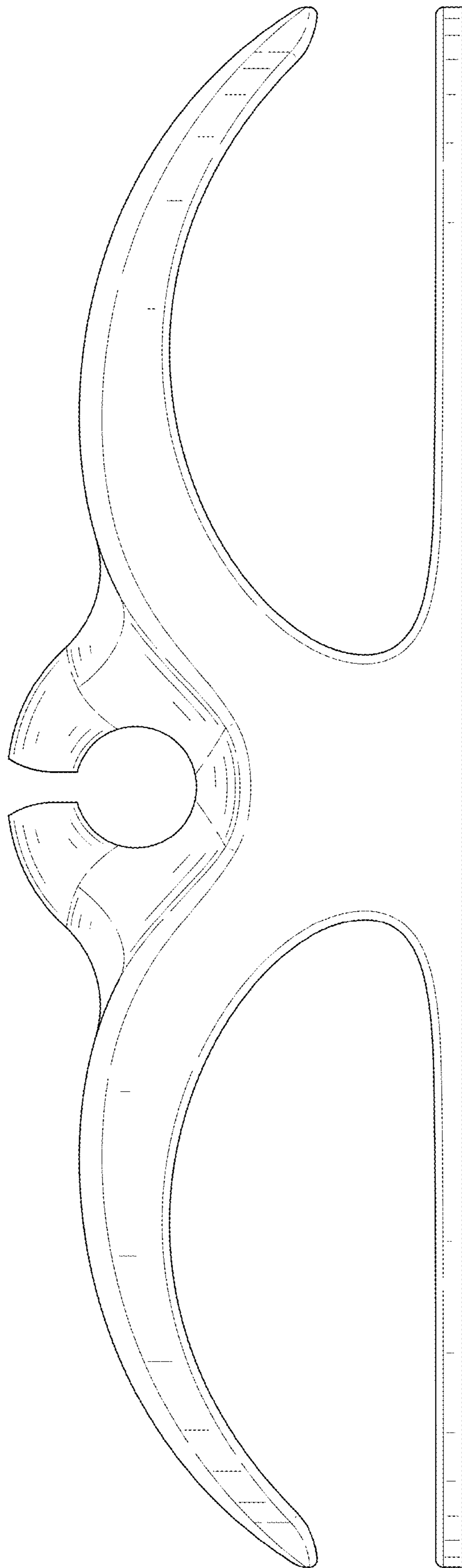


FIG. 3

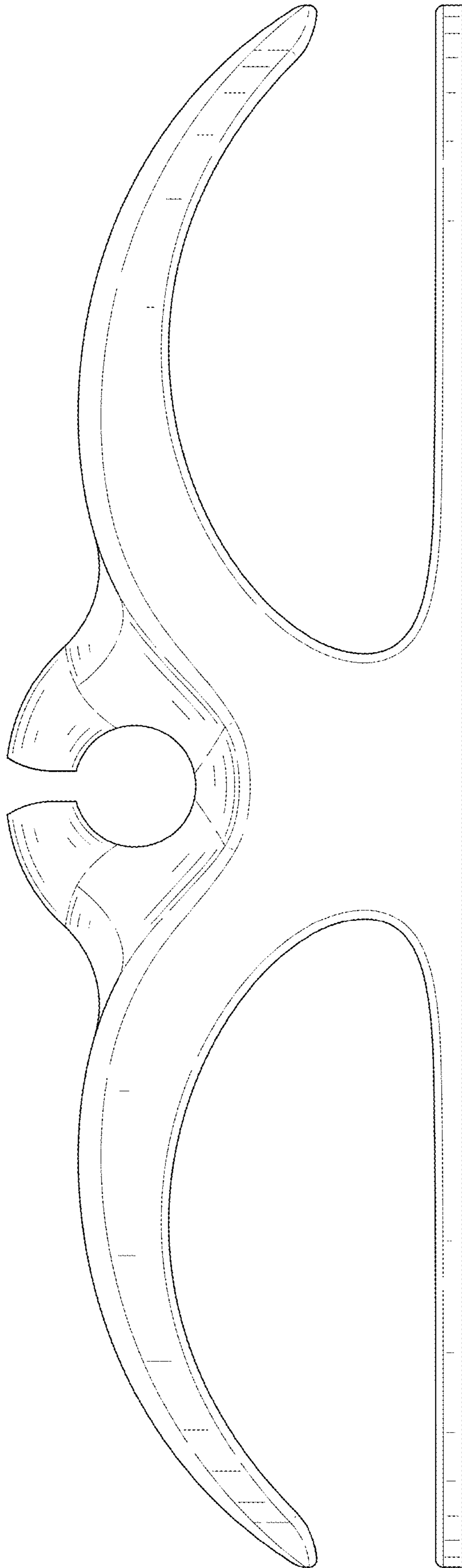


FIG. 4

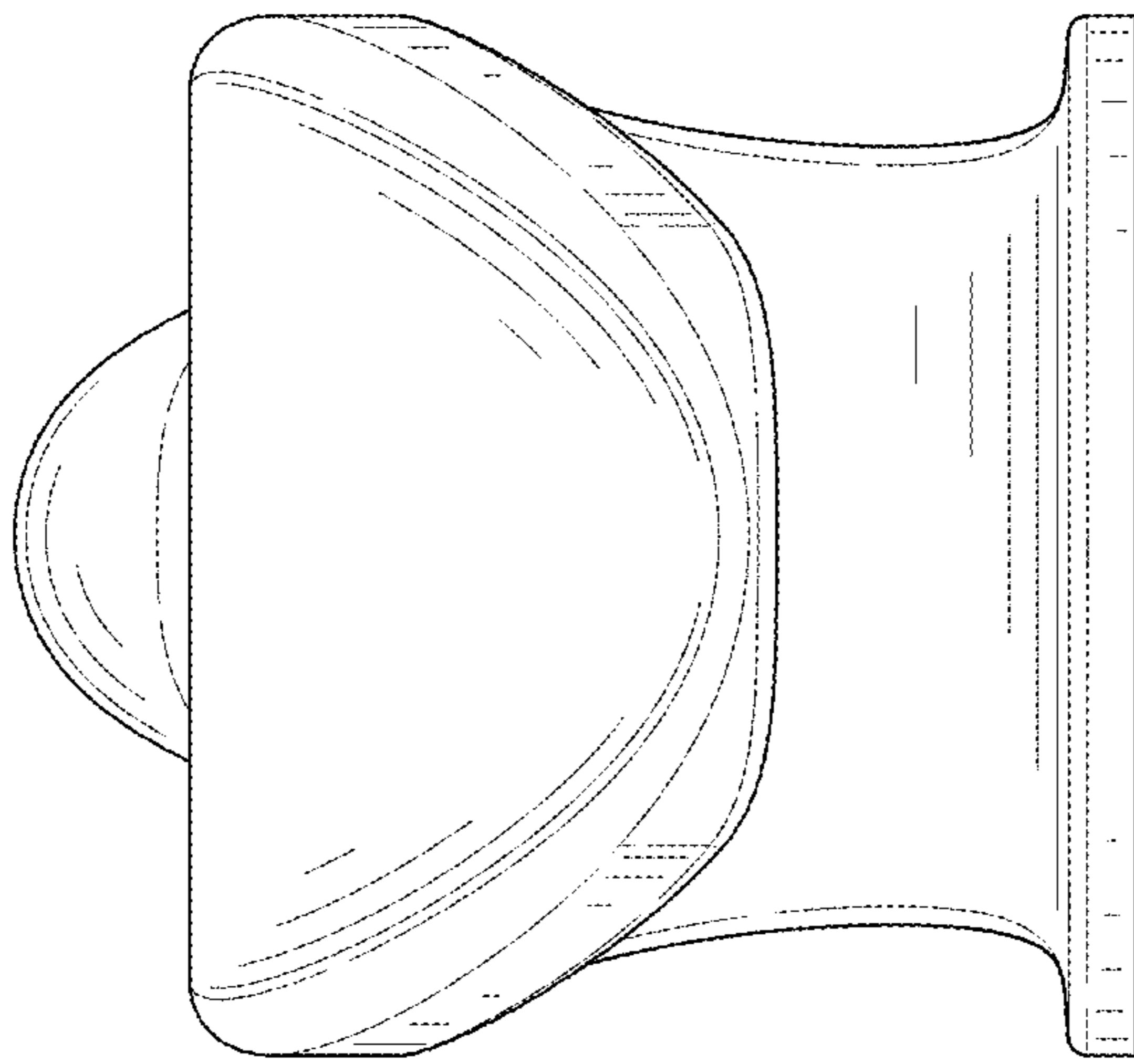


FIG. 5

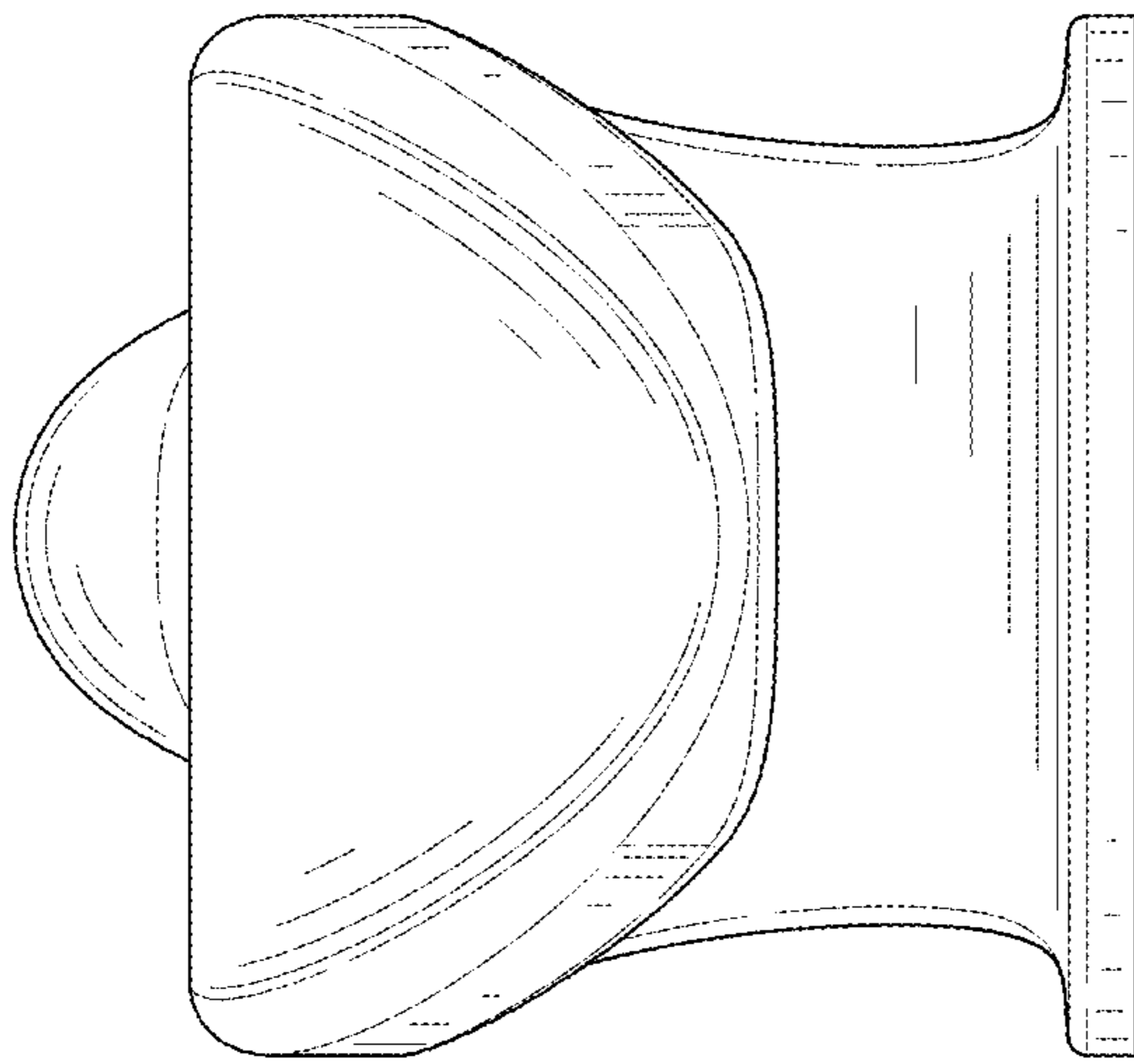


FIG. 6

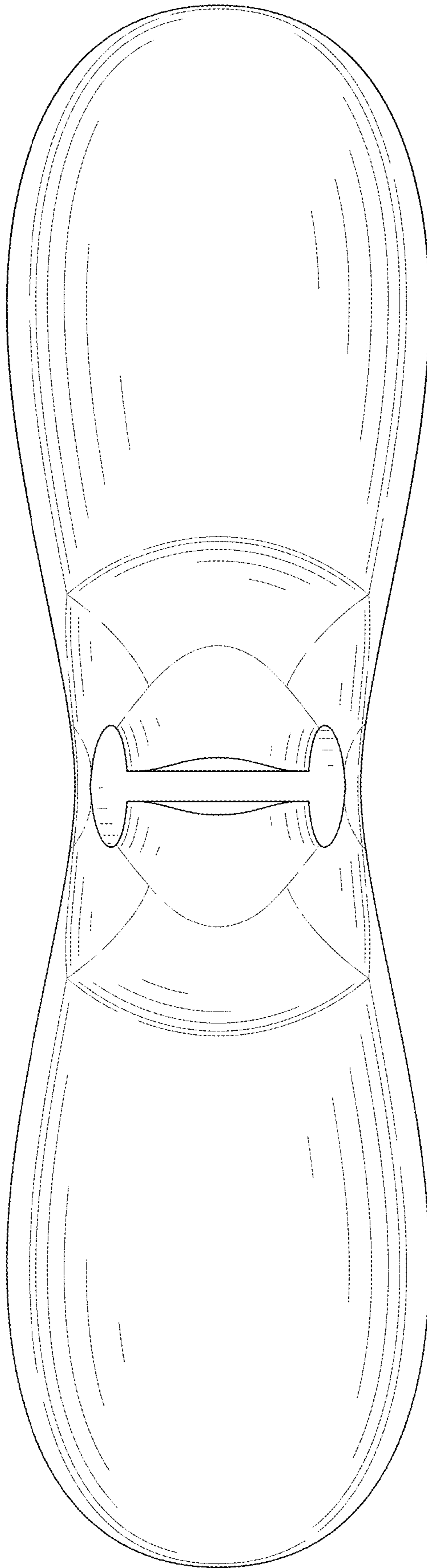


FIG. 7

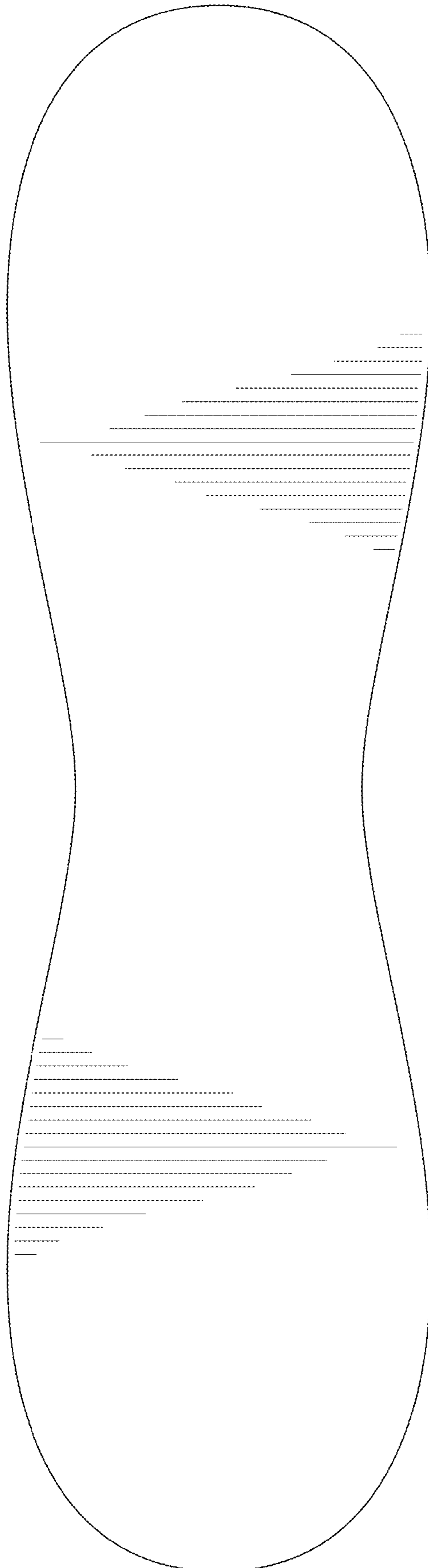


FIG. 8