



US00D968942S

(12) **United States Design Patent**
Ying et al.

(10) **Patent No.:** **US D968,942 S**

(45) **Date of Patent:** **** Nov. 8, 2022**

(54) **SLIDING DOOR INSTALLATION ASSEMBLY**

(71) Applicant: **NINGBO TENGYU METAL PRODUCT CO., LTD.**, Ningbo (CN)

(72) Inventors: **Lei Ying**, Zhejiang (CN); **Jie Li**, Zhejiang (CN); **HuiJie Shen**, Zhejiang (CN); **DingBo Sun**, Zhejiang (CN)

(73) Assignee: **NINGBO TENGYU METAL PRODUCT CO., LTD.**, Ningbo (CN)

(**) Term: **15 Years**

(21) Appl. No.: **29/690,875**

(22) Filed: **May 12, 2019**

(30) **Foreign Application Priority Data**

Nov. 12, 2018 (CN) 201830638695.5

(51) **LOC (13) Cl.** **08-11**

(52) **U.S. Cl.**
USPC **D8/377**

(58) **Field of Classification Search**

USPC D8/16-17, 19, 315, 354, 363, 37, 47, 71, D8/89, 373, 390, 391, 404, 376-377, 382;

(Continued)

(56) **References Cited**

U.S. PATENT DOCUMENTS

D300,913 S * 5/1989 Kamaya D12/412
D301,223 S * 5/1989 Kamaya D12/414

(Continued)

OTHER PUBLICATIONS

6.6 ft 200cm Black Barn Door, Date Visited: Jan. 27, 2022, Amazon, Date Available: Jun. 23, 2021, <https://www.amazon.co.uk/Hardware-Handle-Sliding-Antique-Included/dp/B09C8LT854> (Year: 2021).*

(Continued)

Primary Examiner — Karen S Acker
Assistant Examiner — Elizabeth S Ko
(74) *Attorney, Agent, or Firm* — JCIPRNET

(57) **CLAIM**

The ornamental design for a sliding door installation assembly, as shown and described.

DESCRIPTION

FIG. 1 is a front view of a sliding door installation assembly showing our new design;

FIG. 2 is a rear view thereof;

FIG. 3 is an enlarged left side view thereof;

FIG. 4 is an enlarged right side view thereof;

FIG. 5 is a top view thereof;

FIG. 6 is a bottom view thereof;

FIG. 7 is an enlarged view of the indicated portion in FIG. 1;

FIG. 8 is an enlarged view of the indicated portion in FIG. 1;

FIG. 9 is an enlarged view of the indicated portion in FIG. 2;

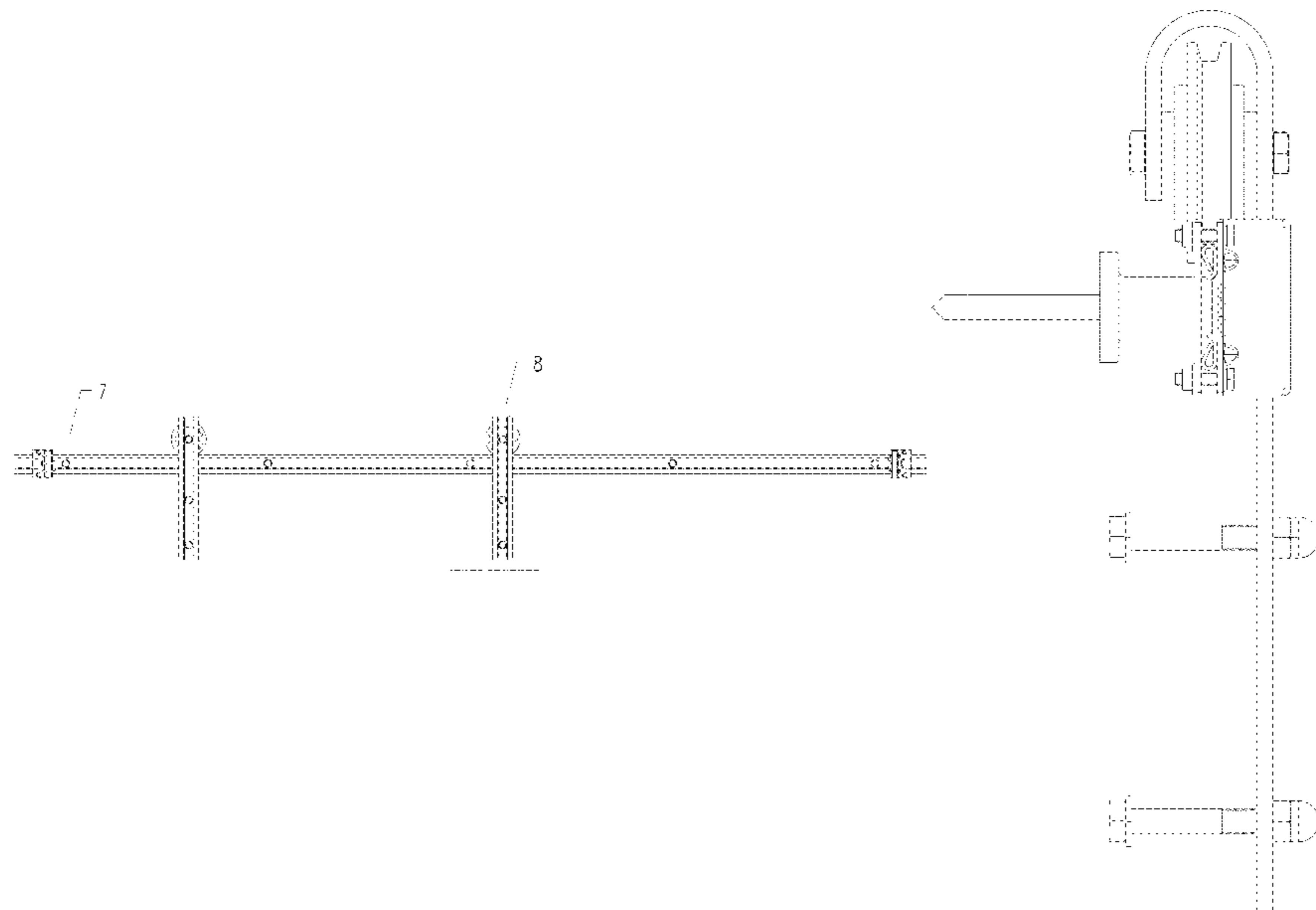
FIG. 10 is an enlarged view of the indicated portion in FIG. 2;

FIG. 11 is an enlarged view of the indicated portion in FIG. 6; and,

FIG. 12 is a front view thereof showing the sliding door installation assembly in a position of use with a sliding door installed.

The broken lines in the drawings depict portions of the sliding door installation assembly that form no part of the claimed design. The additional broken lines in FIG. 12 depict environmental subject matter that forms no part of the claimed design.

1 Claim, 10 Drawing Sheets



(58) **Field of Classification Search**

USPC D12/15, 190, 195, 400, 406, 223, 414;
 D21/678, 379, 701, 808, 803; D25/119,
 D25/122, 123; D6/512, 524, 528, 534,
 D6/672
 CPC A47H 5/032; A47H 1/02; A47H 1/142;
 A47H 13/14; A47H 15/02; A47H 15/04;
 A47H 2001/006; A47H 1/04; A47H
 1/122; A47H 1/124; A47H 2001/042

See application file for complete search history.

(56) **References Cited**

U.S. PATENT DOCUMENTS

D392,933 S * 3/1998 Mattila D12/223
 D397,642 S * 9/1998 Tolefson D12/114
 D485,516 S * 1/2004 McCoy D12/162
 D507,226 S * 7/2005 Oksa D8/349
 6,935,679 B2 * 8/2005 Myers B62D 33/0612
 296/190.08
 7,025,407 B2 * 4/2006 Medel B60P 1/283
 296/181.3
 D613,731 S * 4/2010 Yeo D14/253
 D666,549 S * 9/2012 Gagnon D12/223
 8,820,844 B2 * 9/2014 Moon B60P 1/286
 298/22 R
 8,882,178 B2 * 11/2014 Kitaguchi B60P 1/286
 296/183.2
 9,108,558 B2 * 8/2015 Hall B60P 1/286
 9,649,966 B2 * 5/2017 Wang B23K 31/02
 9,751,445 B1 * 9/2017 Arul B62D 21/09
 D818,415 S * 5/2018 Haws D12/223
 10,000,144 B2 * 6/2018 Zamorano B60P 1/28
 D885,975 S * 6/2020 Hettinger D12/15
 D886,025 S * 6/2020 Bennett D12/223
 D887,338 S * 6/2020 Bennett D12/223
 D908,592 S * 1/2021 Dilts D12/406
 D912,495 S * 3/2021 Jones D8/349
 D920,882 S * 6/2021 Bering D12/218
 D922,165 S * 6/2021 Wang D12/400
 D931,151 S * 9/2021 Wade D12/159

D934,528 S * 10/2021 Smiley D12/400
 D944,714 S * 3/2022 Ring D12/223
 2014/0015279 A1 * 1/2014 De Paula e Silva .. B62D 33/02
 296/183.2
 2015/0165957 A1 * 6/2015 Sarangapani B60P 1/286
 296/183.2
 2017/0174109 A1 * 6/2017 Kuh B60N 2/68
 2021/0237800 A1 * 8/2021 Kirita B62D 21/11

OTHER PUBLICATIONS

8ft_243cm Sliding Barn Wood Door Hardware Closet Track Kit Single Door, Date Visited: Mar. 9, 2022, Amazon, Date Available: Jun. 18, 2018, <https://www.amazon.co.uk/Sliding-Hardware-Closet-Single-Hanger/dp/B07F4599M2> (Year: 2018).*

9ft_274cm Barn Door Kit Sliding Barn Door Hardware Sliding Door Rail Kit, Date Visited: Mar. 9, 2022, Amazon, Date Available: Nov. 22, 2017, <https://www.amazon.co.uk/LWZH-Industrial-Sliding-Hardware-l-Shaped/dp/B077NVYJYY> (Year: 2022).*

LWZH 9ft_274cm Sliding Barn Door Hardware 2017, Date Visited: Jan. 27, 2022, Amazon, Date Available: Nov. 2, 2017, <https://www.amazon.co.uk/LWZH-Sliding-Hardware-Single-Hangers/dp/B07719MHD3> (Year: 2022).*

Smartstandard 3ft Super Mini Cabinet Sliding Barn Door Hardware Kit, Date Visited: Mar. 9, 2022, Amazon, Date Available: Mar. 28, 2018, <https://www.amazon.co.uk/SMARTSTANDARD-3-0ft-Sliding-Hardware-Hanger/dp/B07BRFL22C> (Year: 2018).*

TSMST 167CM_5.5ft Sliding Door Track, Date Visited: Jan. 27, 2022, Amazon, Date Available: Sep. 9, 2020, <https://www.amazon.co.uk/TSMST-Sliding-Hardware-Accessory-Adjustable/dp/B08HQ4MR71> (Year: 2020).*

WinSoon 150cm Sliding Door Track Barn Sliding Door Kit, Date Visited: Mar. 9, 2022, Amazon, Date Available: Apr. 11, 2016, <https://www.amazon.co.uk/WinSoon-Straight-Design-Sliding-Hardware/dp/B079DMJ3GL> (Year: 2016).*

ZEKOO 2.5-8 ft Super Mini Sliding Barn Door Hardware Kit, Date Visited: 44629, Amazon, Date Available: Jan. 4, 2017, <https://www.amazon.co.uk/ZEKOO-Sliding-Hardware-Cabinet-Console/dp/B087JF5JGS> (Year: 2017).*

* cited by examiner

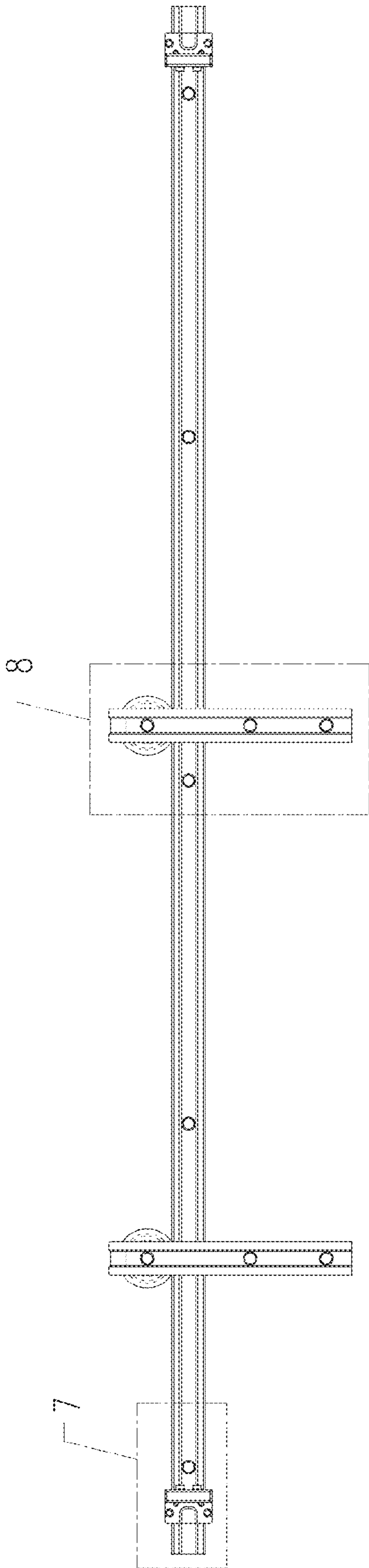


FIG. 1

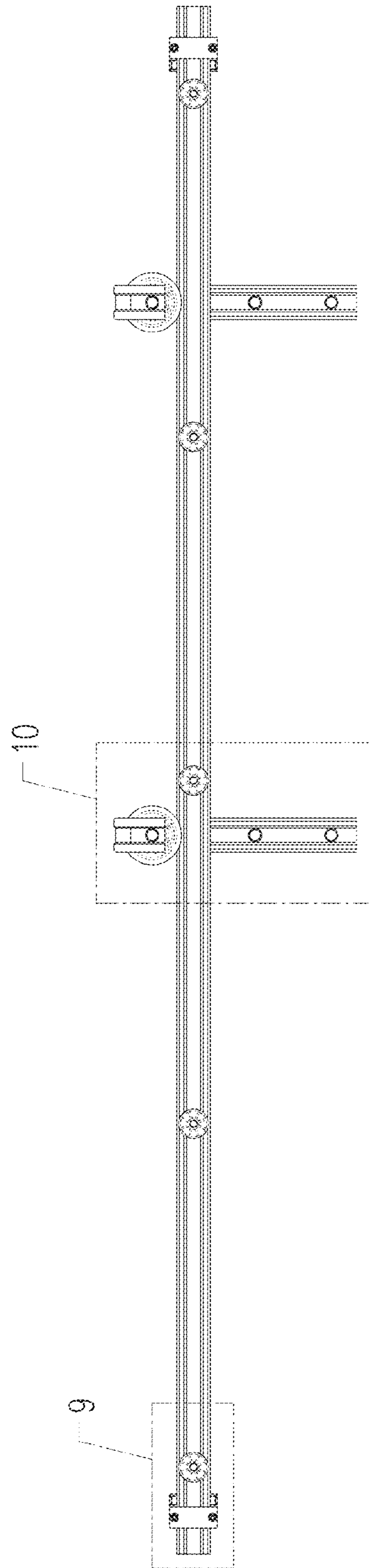


FIG. 2

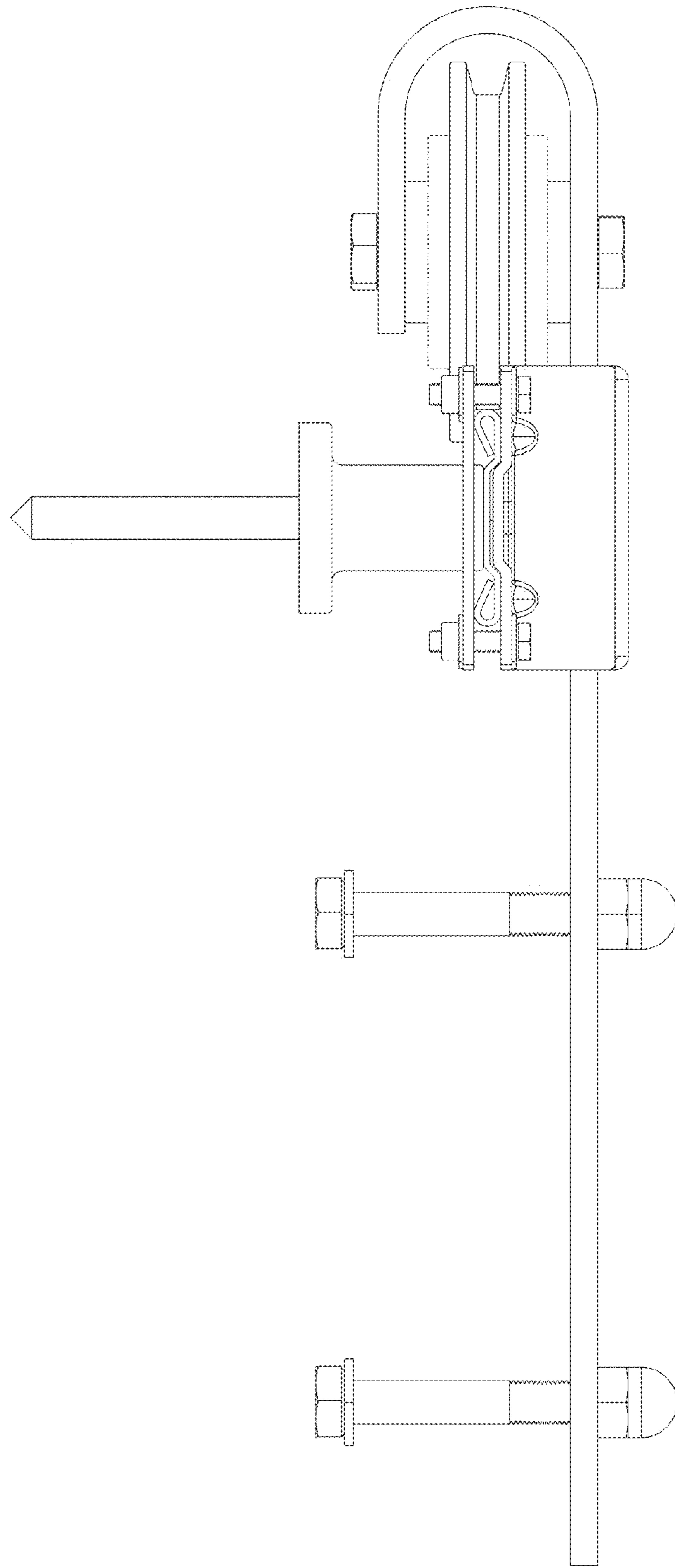


FIG. 3

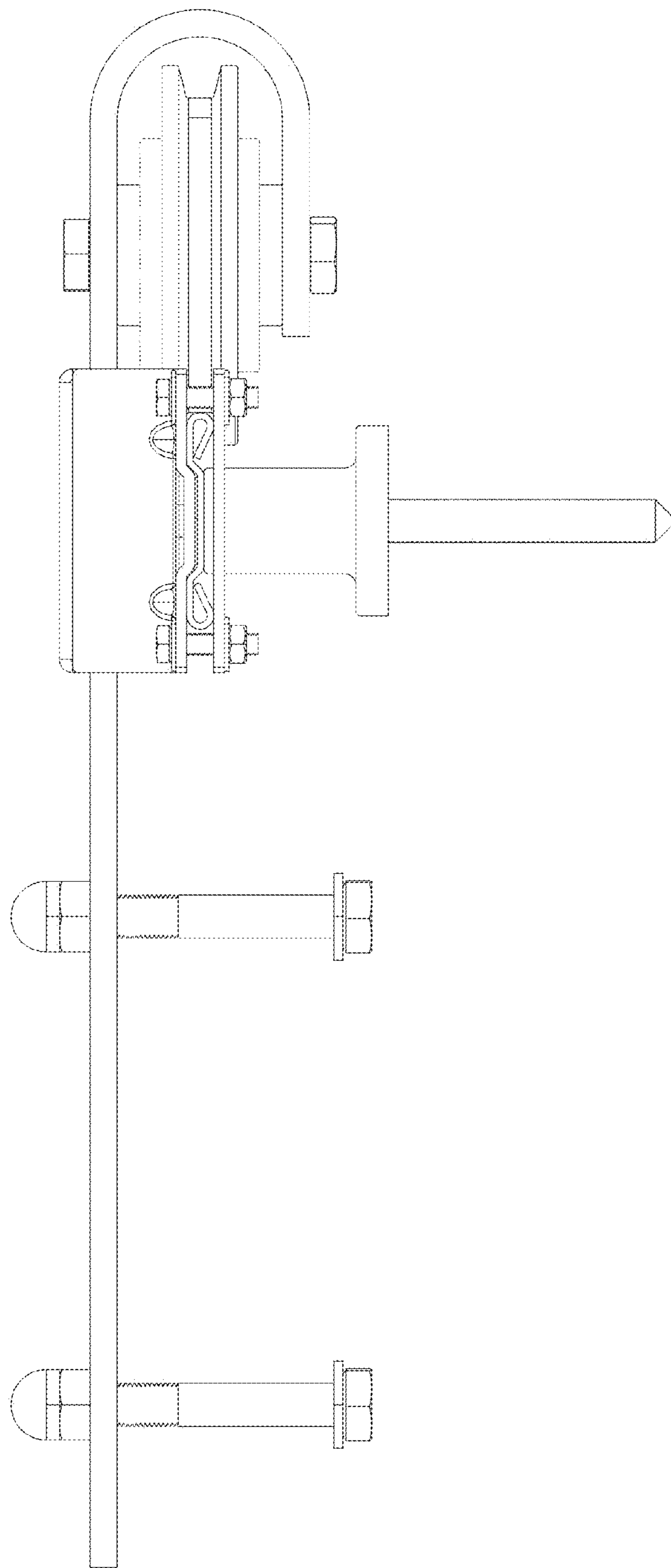


FIG. 4

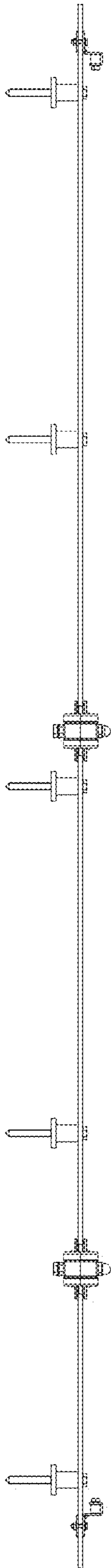


FIG. 5

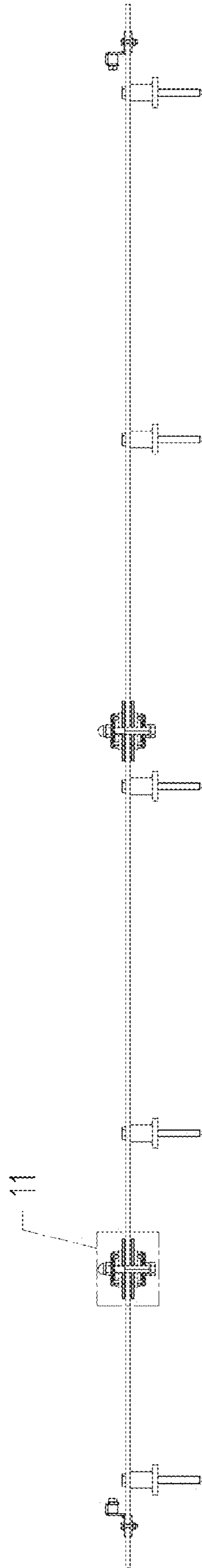


FIG. 6

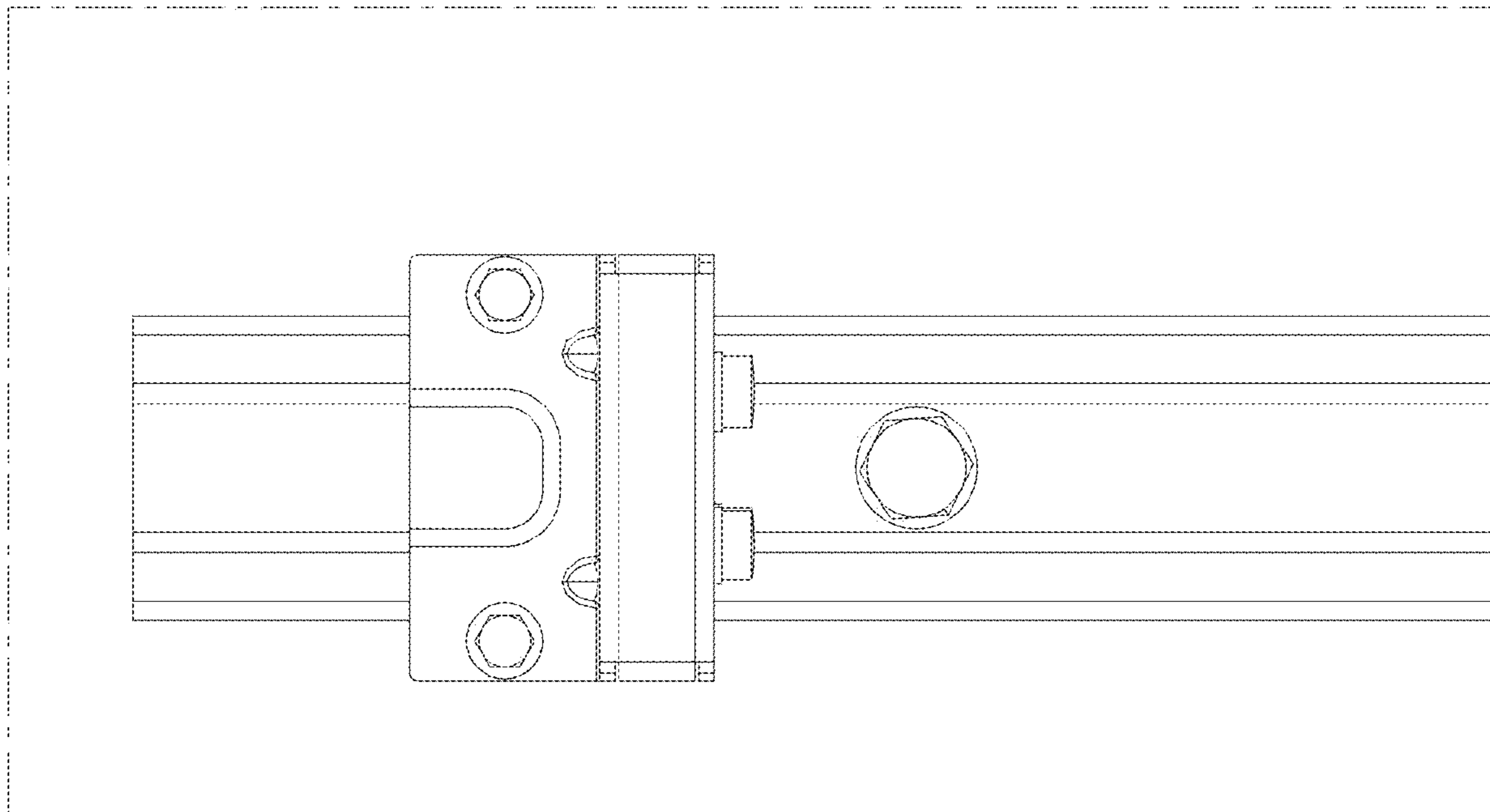


FIG. 7

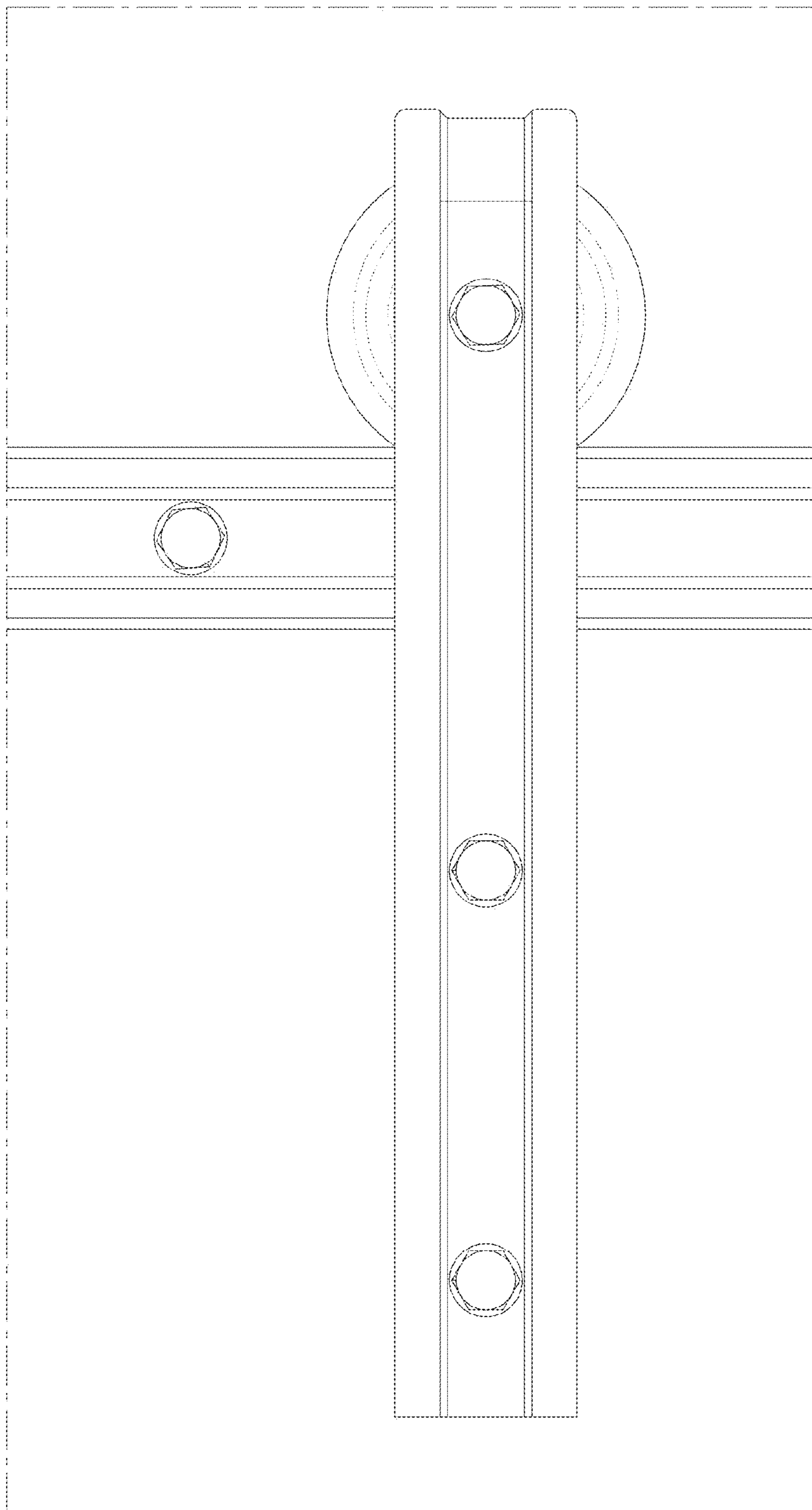


FIG. 8

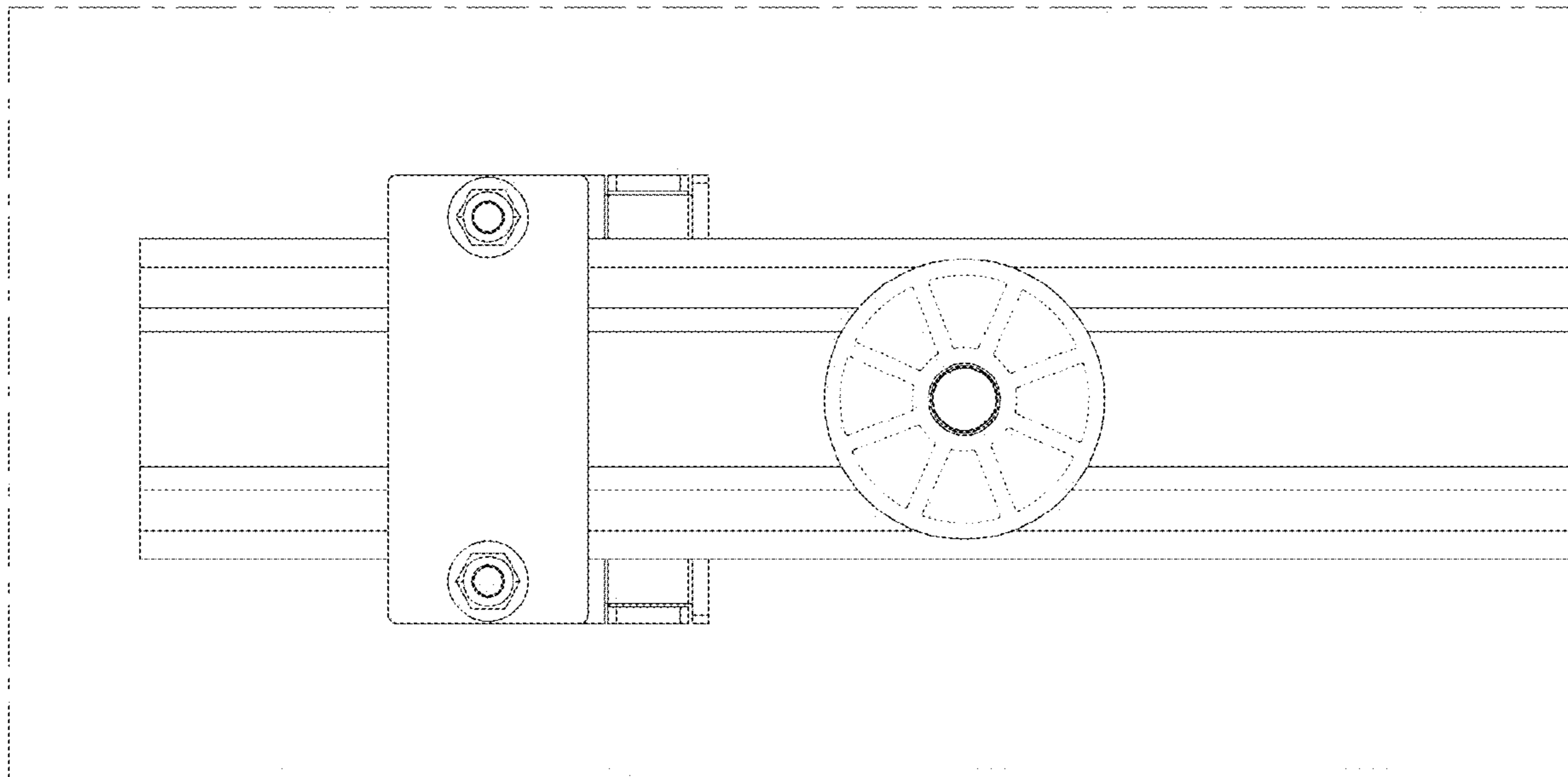


FIG. 9

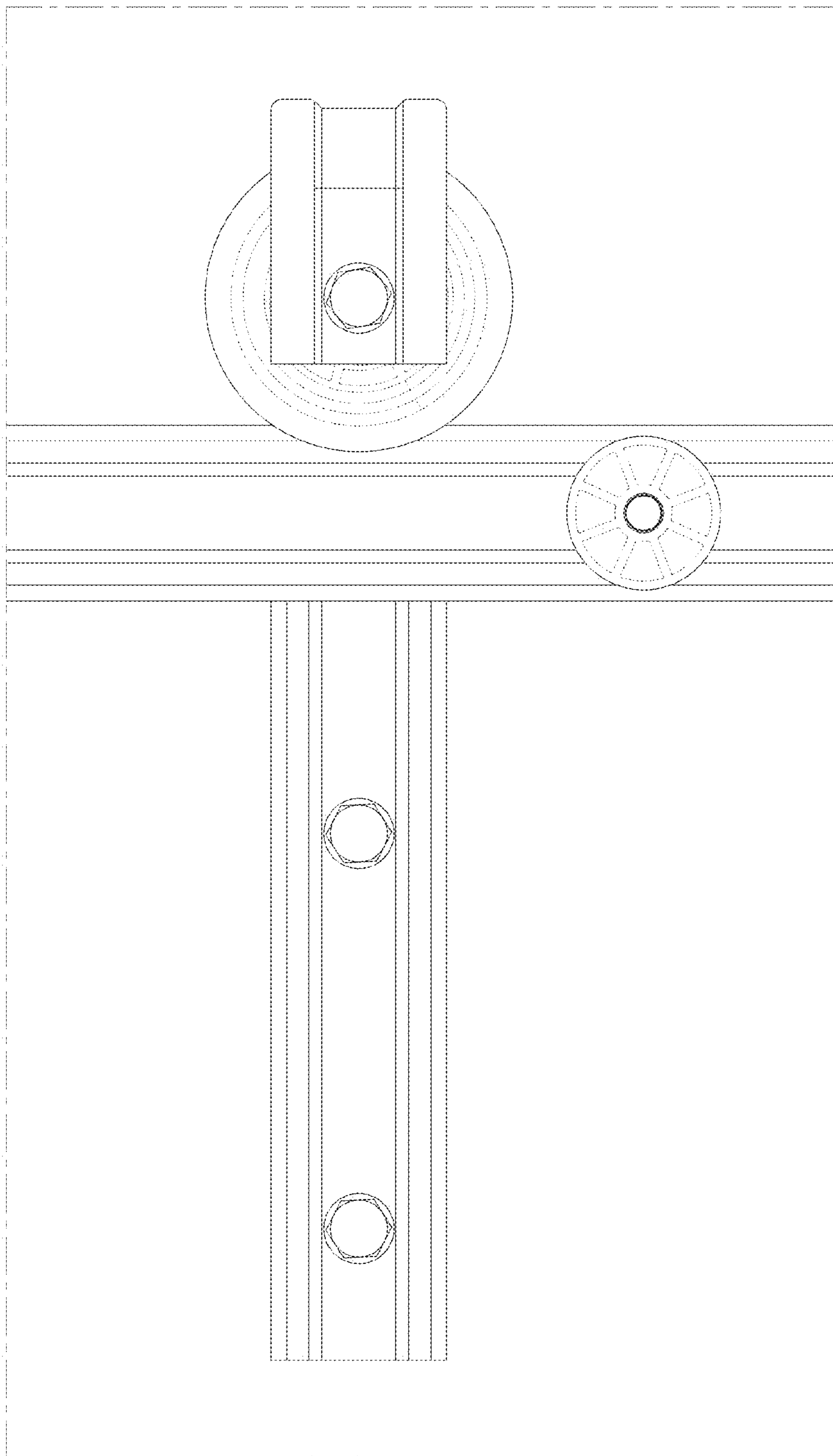


FIG. 10

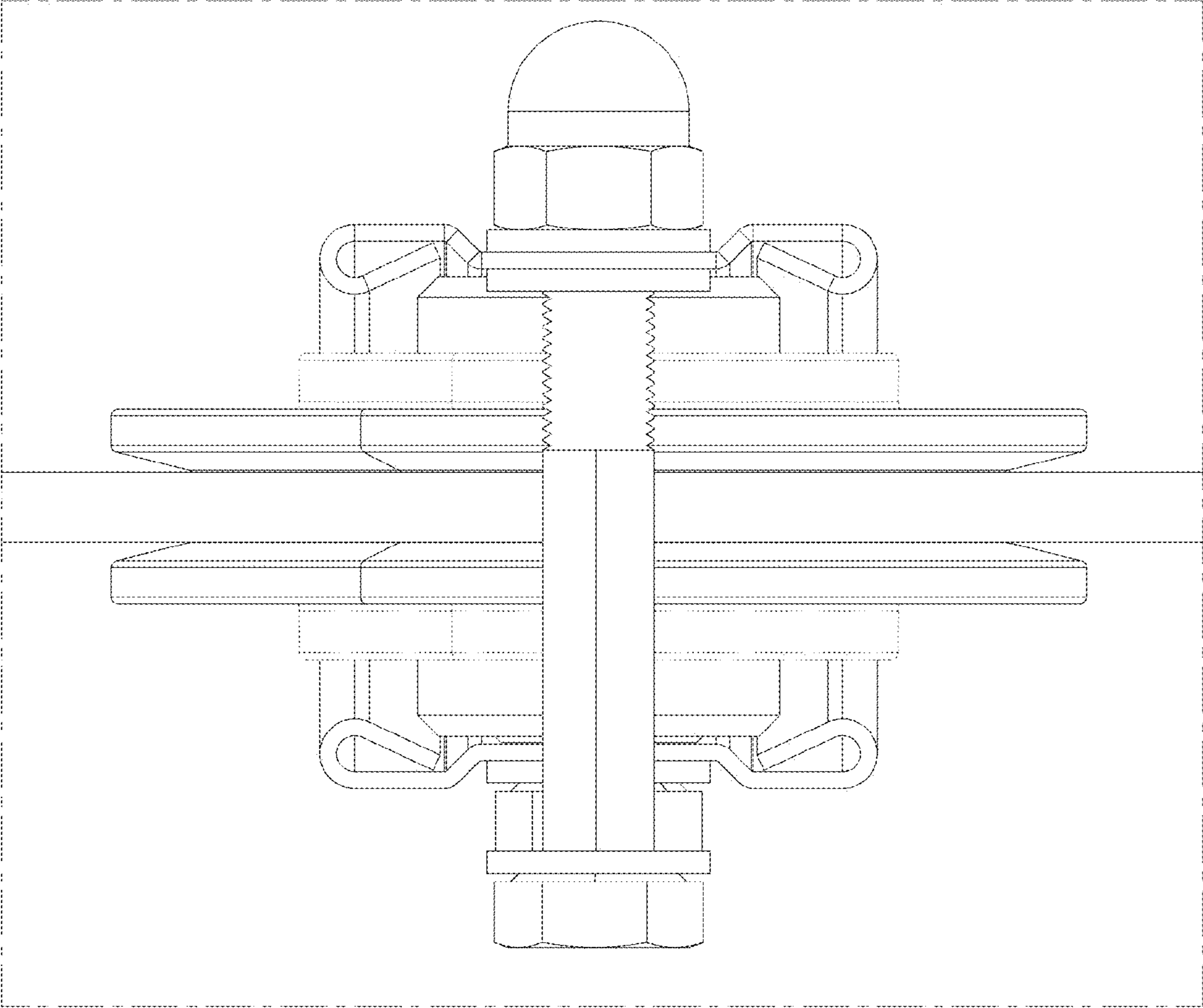


FIG. 11

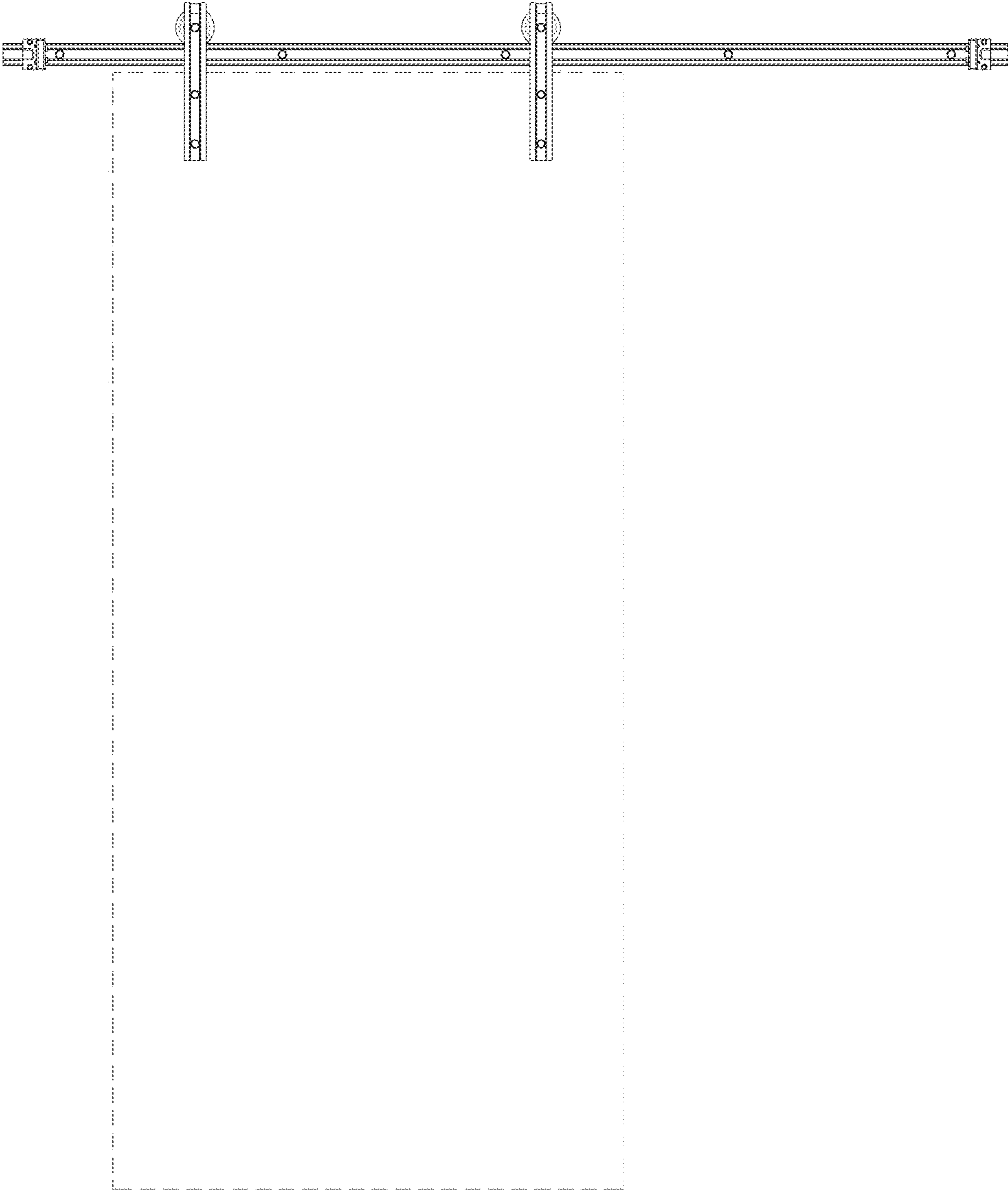


FIG. 12