



US00D968941S

(12) **United States Design Patent** (10) **Patent No.:** **US D968,941 S**
Svidler (45) **Date of Patent:** **** Nov. 8, 2022**

(54) **MOUNTING CLIP**
(71) Applicant: **Ilya Svidler**, Staten Island, NY (US)
(72) Inventor: **Ilya Svidler**, Staten Island, NY (US)
(**) Term: **15 Years**
(21) Appl. No.: **29/760,411**
(22) Filed: **Dec. 1, 2020**
(51) **LOC (13) Cl.** **08-05**
(52) **U.S. Cl.**
USPC **D8/376**
(58) **Field of Classification Search**
USPC D8/349, 354, 355, 376, 400, 403, 382;
D6/580; D25/164, 199, 119
CPC F16J 15/00; F16J 15/02; F16B 5/12; F16B
5/1212; F16B 5/126; F16B 5/128; F16S
3/00; E05Y 2800/26; E05Y 2800/27;
E05Y 2800/455; E05Y 2800/46; E05Y
2800/465
See application file for complete search history.

(56) **References Cited**

U.S. PATENT DOCUMENTS

D293,203 S * 12/1987 Hertensteiner 248/68.1
6,729,054 B1 5/2004 VanderTuin
D566,648 S * 4/2008 Lee B62J 11/00
D12/415
D621,245 S * 8/2010 Heindl D8/382
D621,246 S * 8/2010 Heindl D8/382
D632,551 S * 2/2011 Hanna D8/382
D637,476 S * 5/2011 Hanna D8/382
D640,532 S * 6/2011 Austro D8/382
D640,533 S * 6/2011 Austro D8/382
D701,747 S * 4/2014 Eddisford D8/349
D702,531 S * 4/2014 Eddisford D8/349

D757,531 S * 5/2016 Rusher D8/394
D758,830 S * 6/2016 Partridge F16L 3/06
D8/349
D759,463 S * 6/2016 Metzler D8/349
9,395,472 B2 7/2016 Kim et al.
D762,455 S * 8/2016 Partridge D8/349
9,443,451 B2 9/2016 Sutherland et al.
9,903,567 B2 2/2018 Lan et al.
10,354,564 B2 7/2019 Topousis et al.
D865,502 S * 11/2019 Stener D8/380
D878,903 S * 3/2020 Roskamp D8/349
D893,289 S * 8/2020 Oetlinger D25/199
D895,406 S * 9/2020 Oetlinger D25/199
D901,718 S * 11/2020 Schoonover D25/48.2
D951,484 S * 5/2022 Schoonover D25/48.2
2016/0010836 A1 1/2016 Patterson et al.
2016/0369980 A1 12/2016 Lan et al.
2017/0011669 A1 1/2017 Meersman et al.
2017/0198890 A1 7/2017 Jurewicz et al.
2018/0350277 A1 12/2018 Entwistle

* cited by examiner

Primary Examiner — Mark A Goodwin
(74) *Attorney, Agent, or Firm* — Goldstein Law Offices,
P.C.

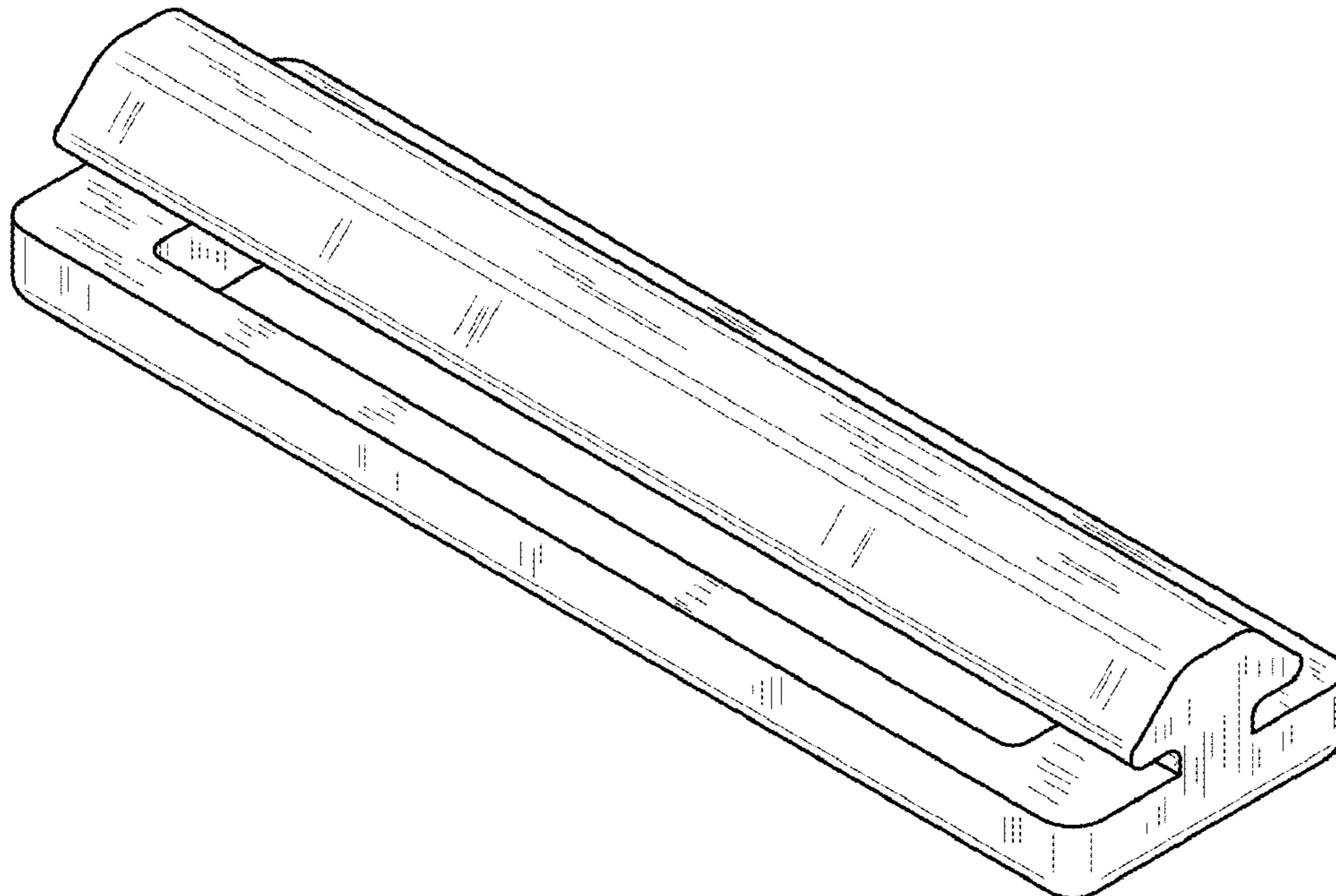
(57) **CLAIM**

The ornamental design for a mounting clip, as shown and described.

DESCRIPTION

FIG. 1 is a perspective view of the mounting clip.
FIG. 2 is a front elevational view of the mounting clip.
FIG. 3 is a rear elevational view thereof.
FIG. 4 is a top plan view thereof.
FIG. 5 is a bottom plan view thereof.
FIG. 6 is a right side elevational view thereof; and,
FIG. 7 is a left side elevational view thereof.

1 Claim, 4 Drawing Sheets



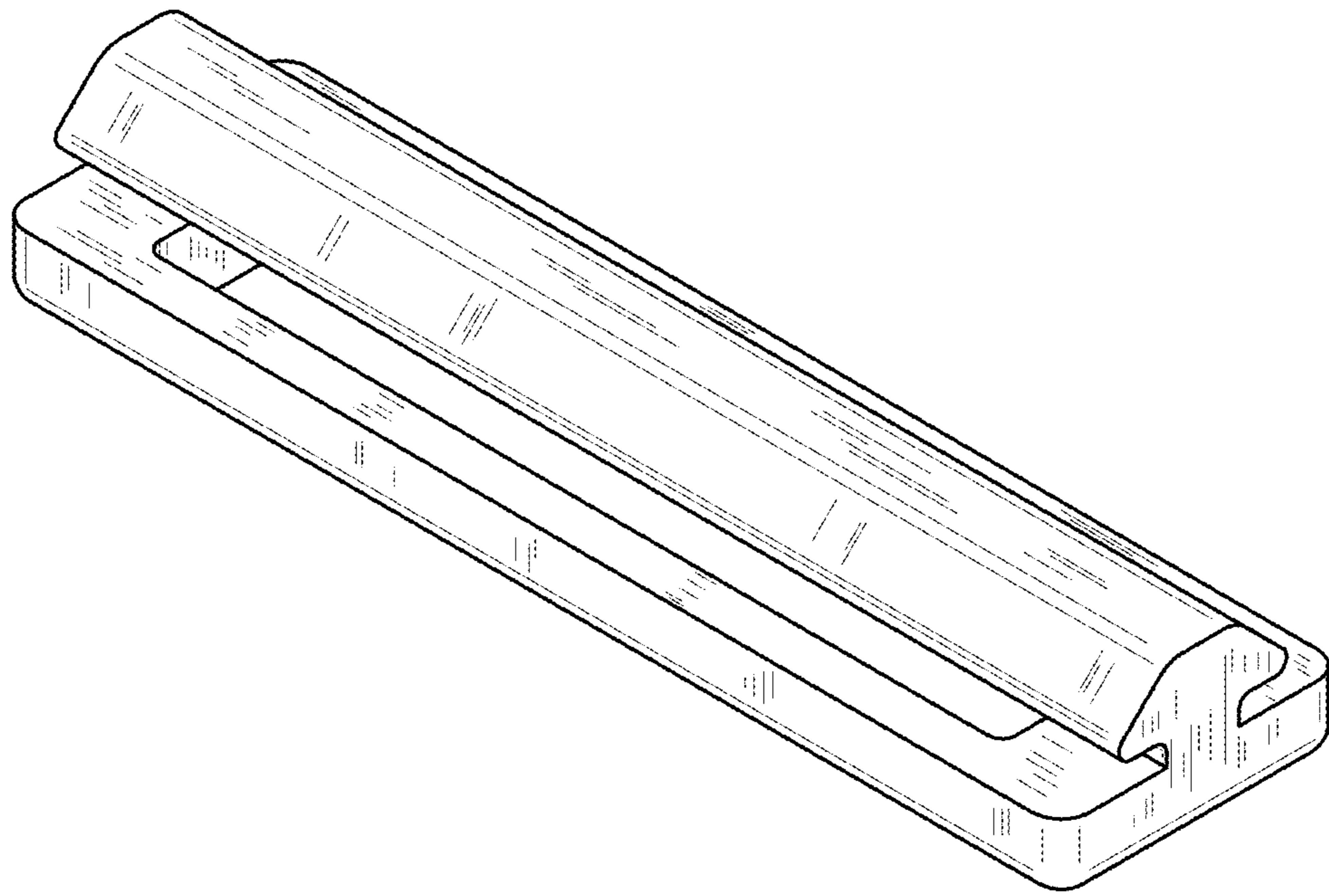


FIG. 1

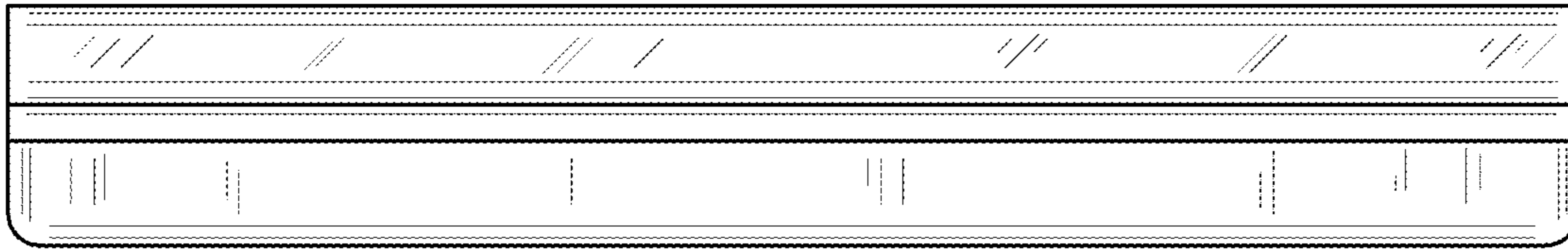


FIG. 2

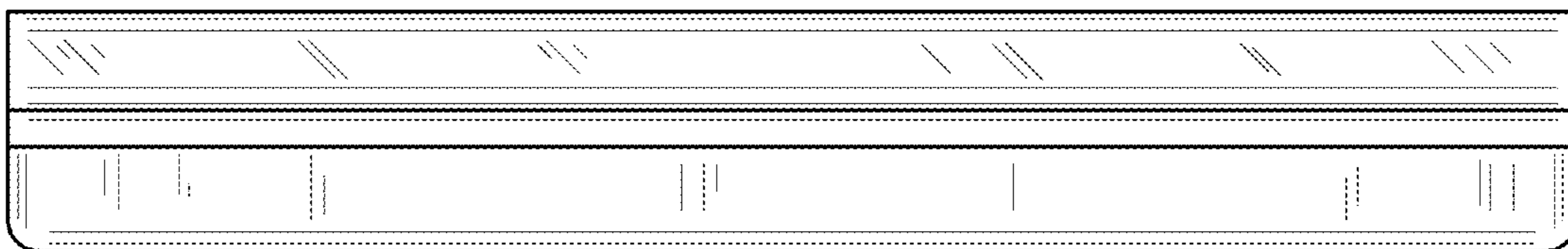


FIG. 3

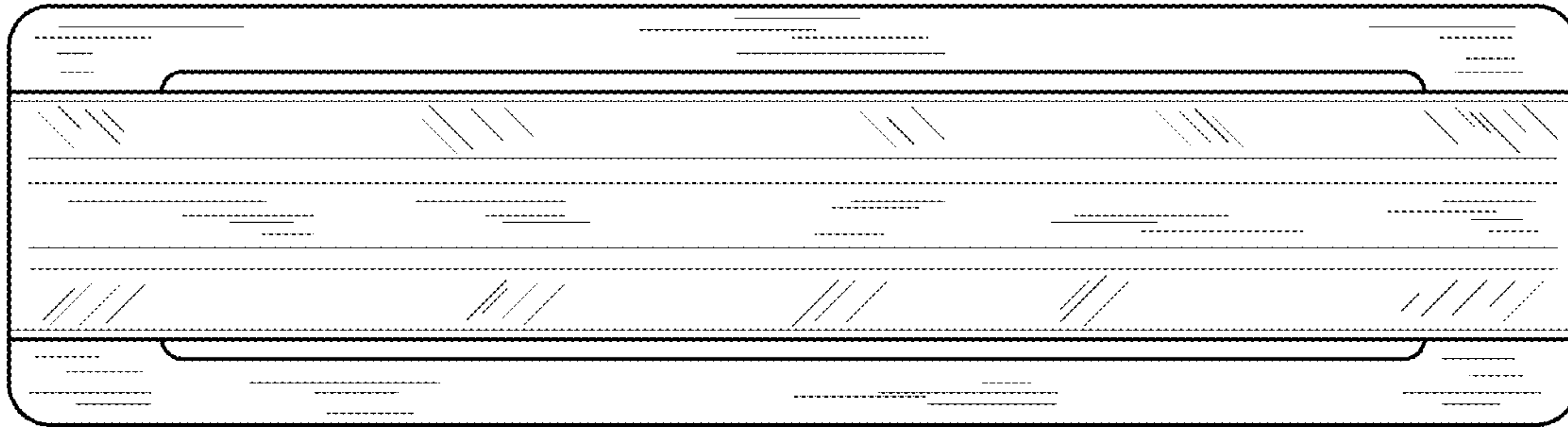


FIG. 4

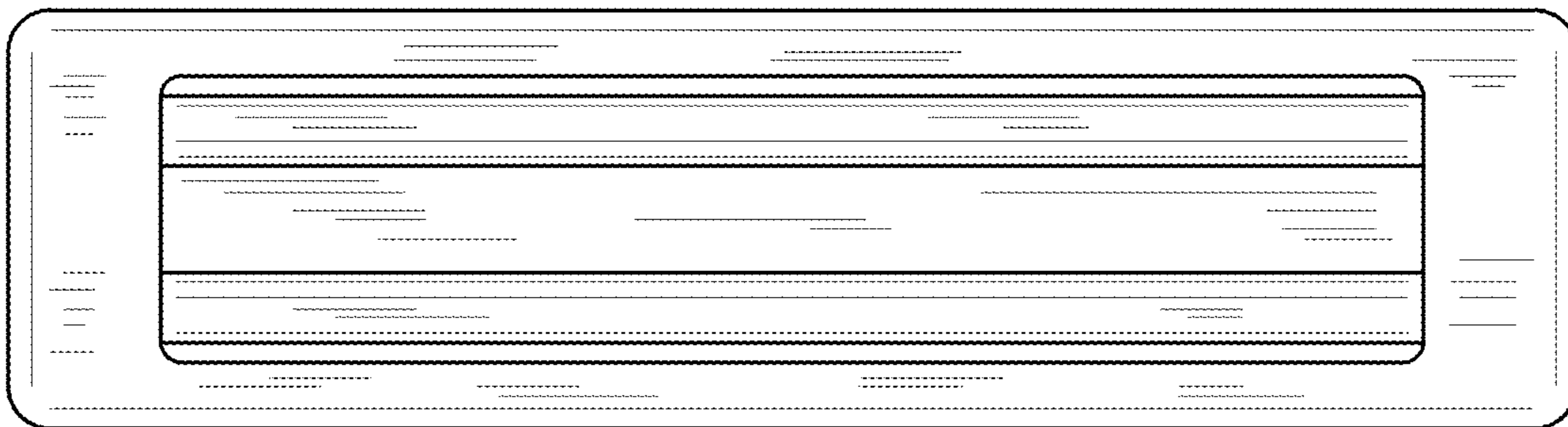


FIG. 5

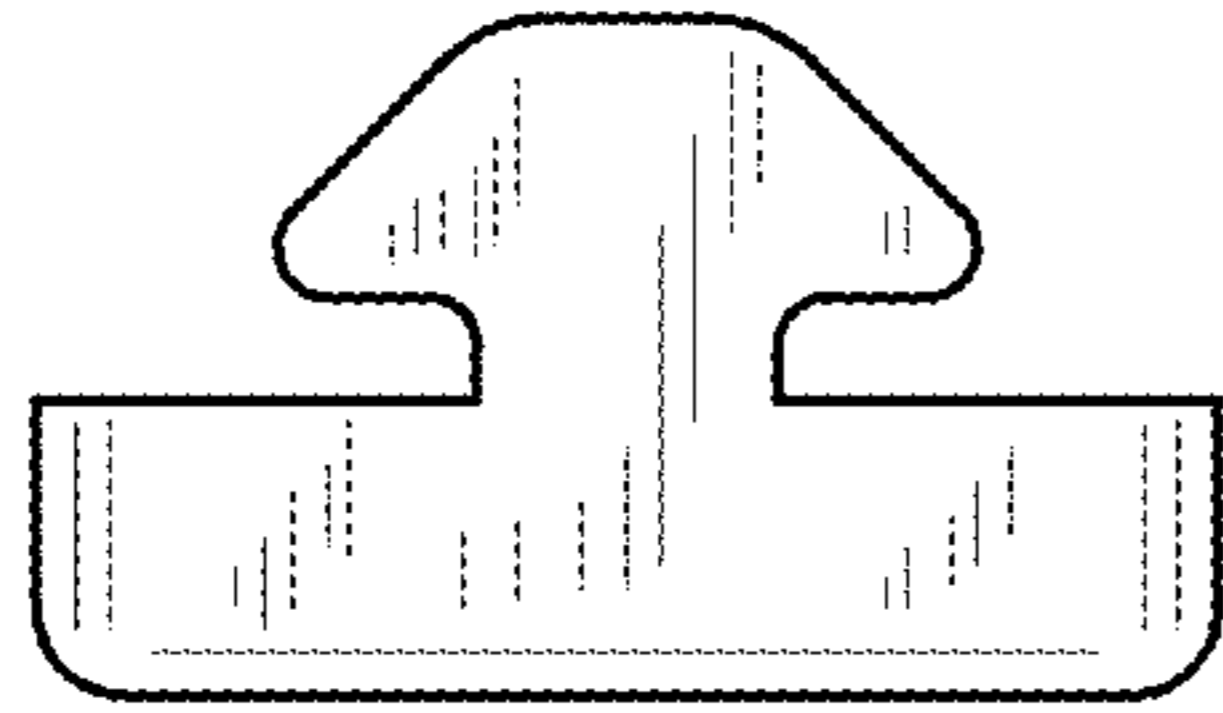


FIG. 6

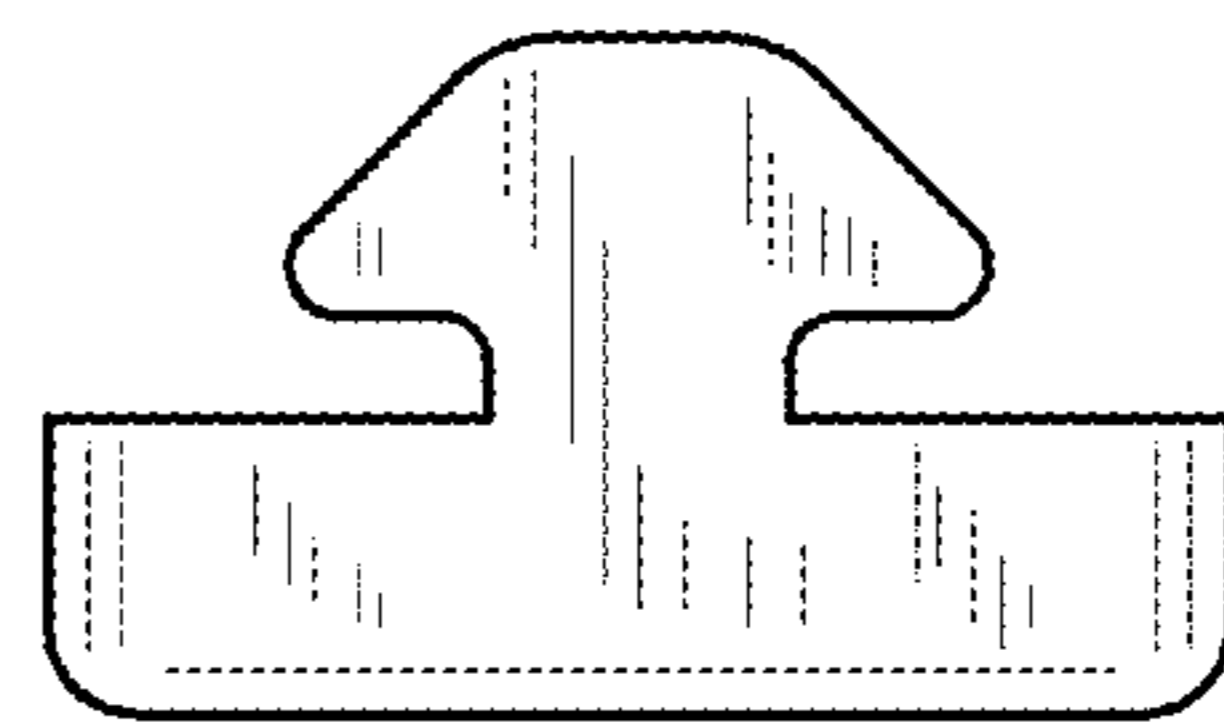


FIG. 7