



US00D968940S

(12) **United States Design Patent**
Yue

(10) **Patent No.:** **US D968,940 S**

(45) **Date of Patent:** **** Nov. 8, 2022**

(54) **PATIO HEATER WHEEL**

(71) Applicant: **Jie Yue**, Suzhou (CN)

(72) Inventor: **Jie Yue**, Suzhou (CN)

(**) Term: **15 Years**

(21) Appl. No.: **29/816,379**

(22) Filed: **Nov. 22, 2021**

(51) **LOC (13) Cl.** **08-03**

(52) **U.S. Cl.**
USPC **D8/375**

(58) **Field of Classification Search**
USPC D34/12-27; D8/375
See application file for complete search history.

(56) **References Cited**

U.S. PATENT DOCUMENTS

D237,786 S *	11/1975	Gilster	D34/24
D261,634 S *	11/1981	Beshears	D34/24
4,583,904 A *	4/1986	Maxwell	B62B 1/264
				D34/24
4,681,341 A *	7/1987	Lai	B62B 1/045
				280/DIG. 6
D303,031 S *	8/1989	Ellis	D34/28
5,176,394 A *	1/1993	Veazey	B60P 3/1033
				D34/24
D340,340 S *	10/1993	Allen	D34/28
D342,361 S *	12/1993	Williams	D34/24
D358,921 S *	5/1995	Abbema	D34/24
5,586,778 A *	12/1996	Lindh	A63B 55/60
				280/DIG. 6
6,059,299 A *	5/2000	Rust	B62B 5/0083
				280/47.131

6,085,503 A *	7/2000	Hutchinson	A01D 34/001
				D34/24
D465,897 S *	11/2002	Smith	D34/24
D550,476 S *	9/2007	Liu	D34/24
7,661,684 B2 *	2/2010	Westrate	B62B 1/262
				47/76
7,823,370 B1 *	11/2010	Wiebe	A01D 34/90
				56/16.7
D642,351 S *	7/2011	Bozzo	D34/24
D707,008 S	6/2014	Mericle	
9,415,787 B2 *	8/2016	Mericle	B62B 5/0086
D866,435 S	11/2019	Interrante	
D913,082 S	3/2021	DeVries et al.	
D917,945 S	5/2021	DeVries et al.	

* cited by examiner

Primary Examiner — Khawaja Anwar

(74) *Attorney, Agent, or Firm* — Xuan Zhang

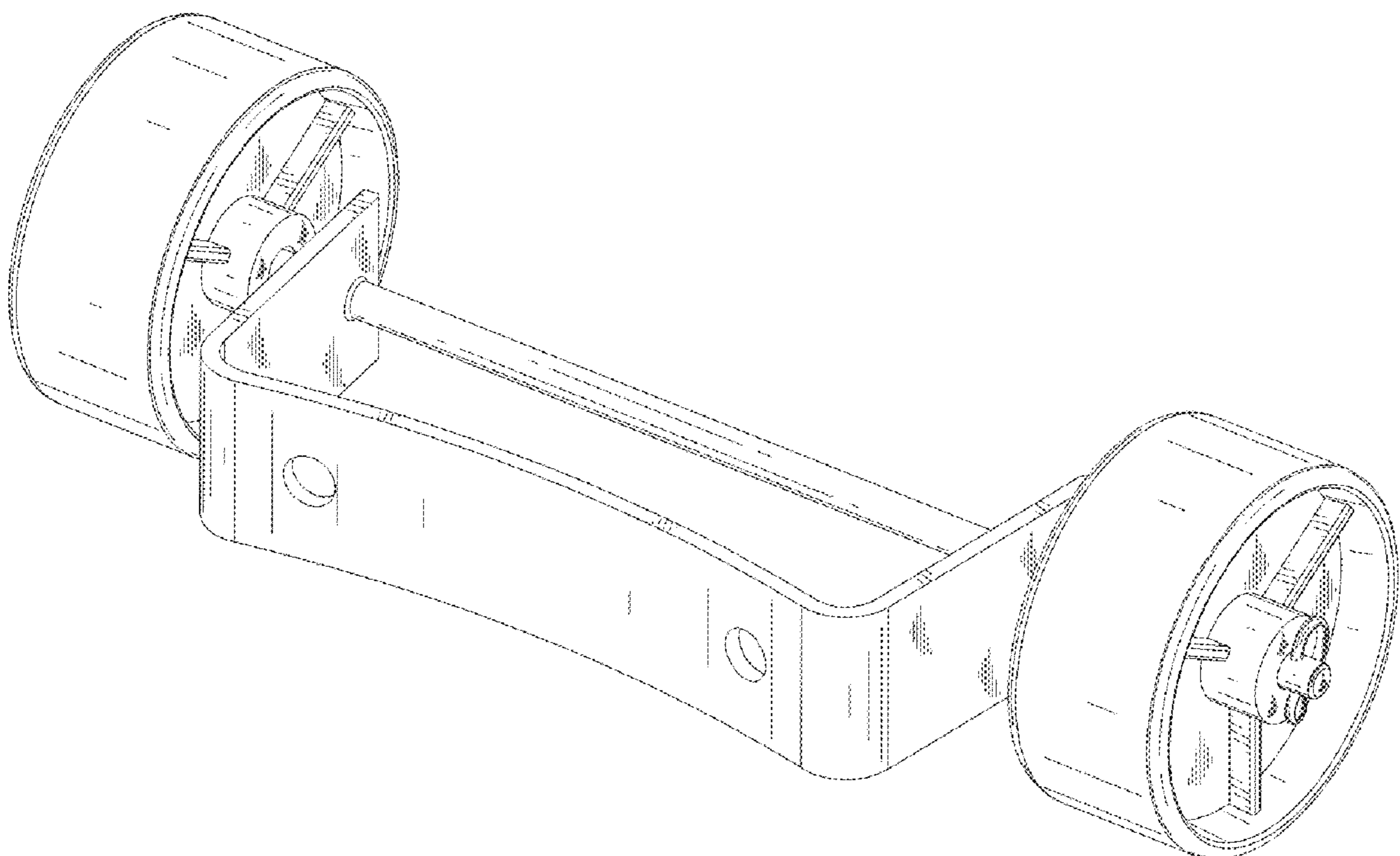
(57) **CLAIM**

The ornamental design for a patio heater wheel, as shown and described.

DESCRIPTION

FIG. 1 is a perspective view of a patio heater wheel showing my new design;
FIG. 2 is a front plan view thereof;
FIG. 3 is a rear plan view thereof;
FIG. 4 is a left plan view thereof;
FIG. 5 is a right plan view thereof;
FIG. 6 is a top plan view thereof; and,
FIG. 7 is a bottom plan view thereof.

1 Claim, 7 Drawing Sheets



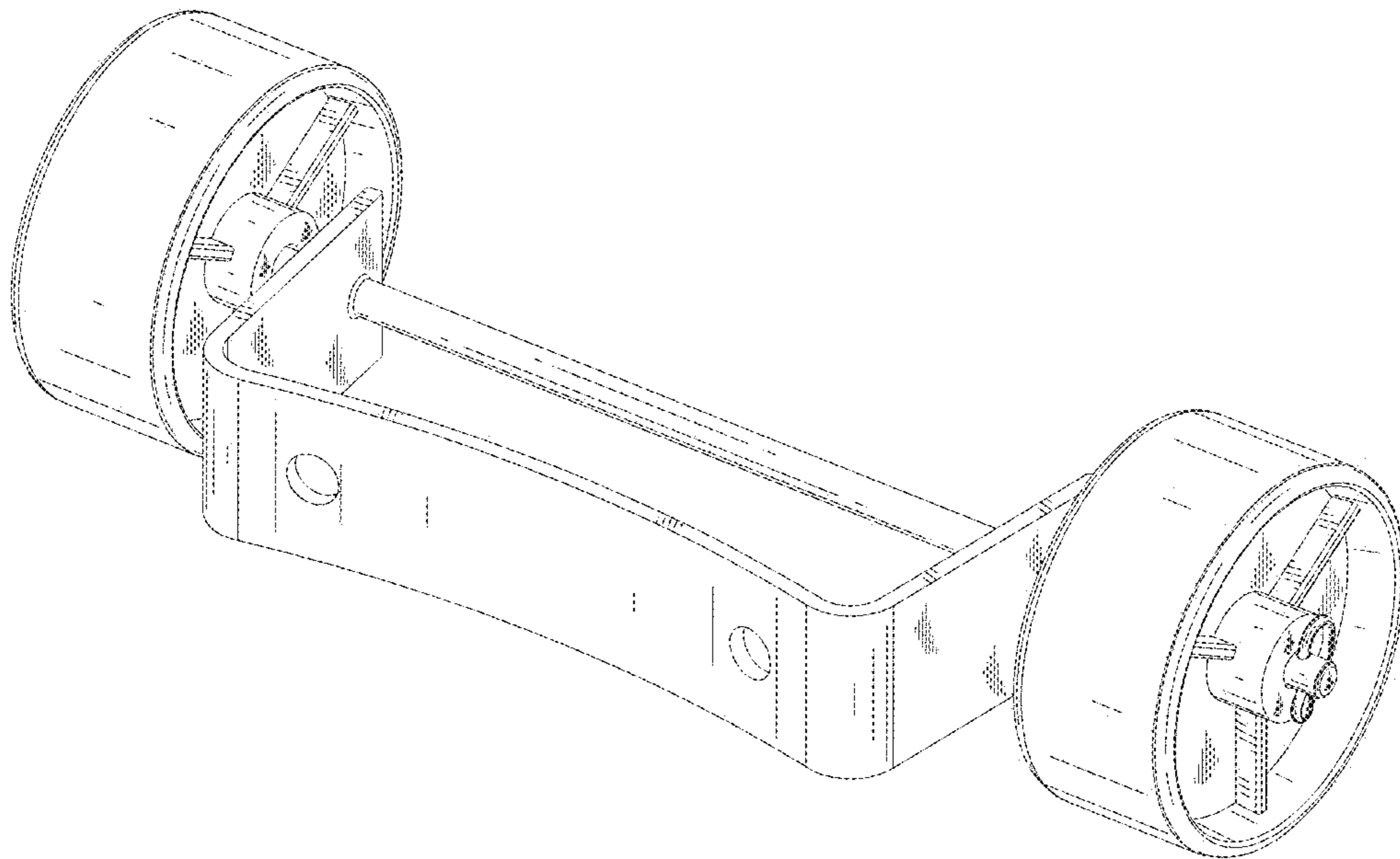


FIG. 1

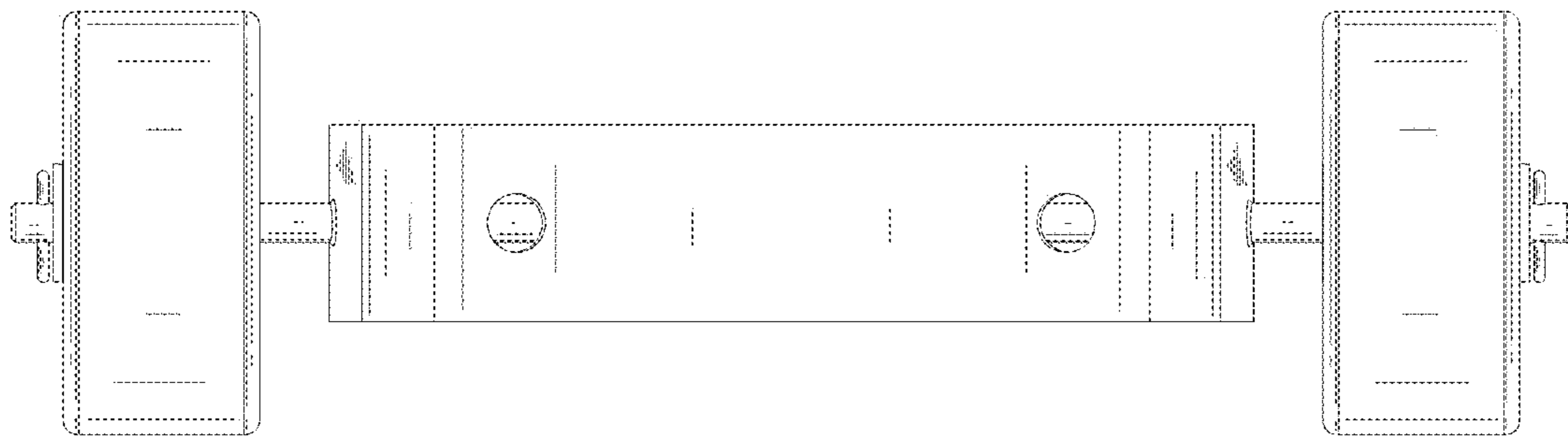


FIG. 2



FIG. 3

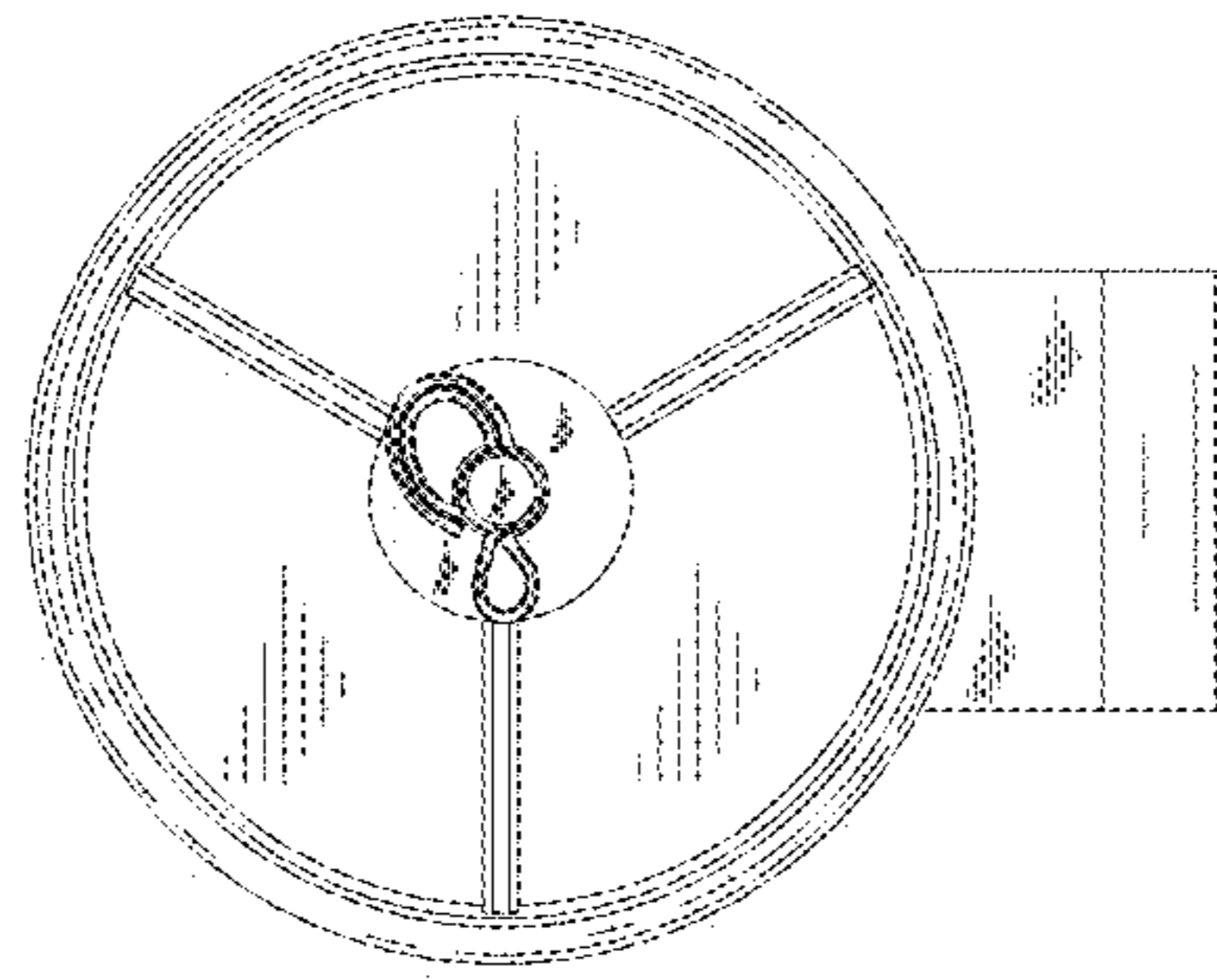


FIG. 4

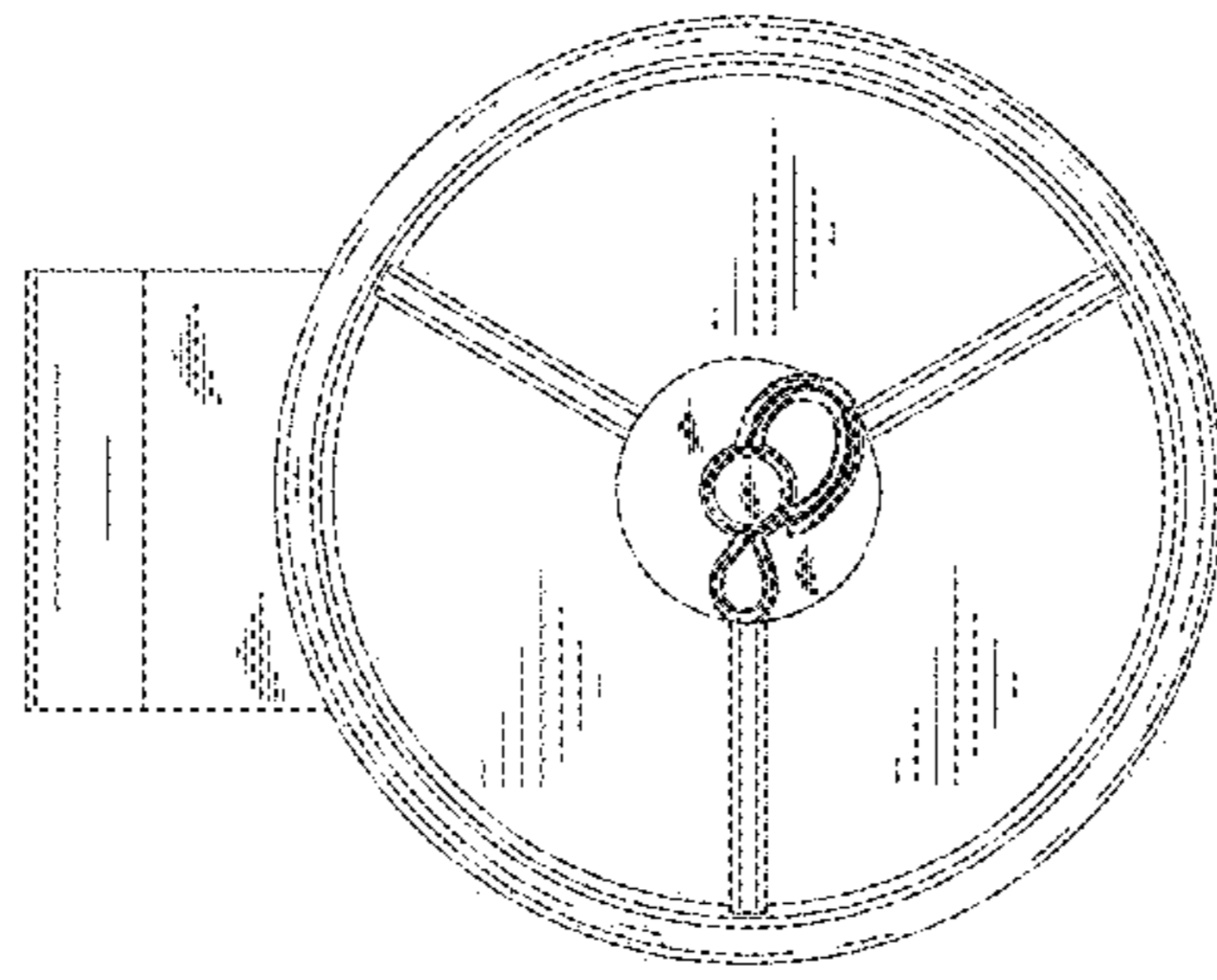


FIG. 5

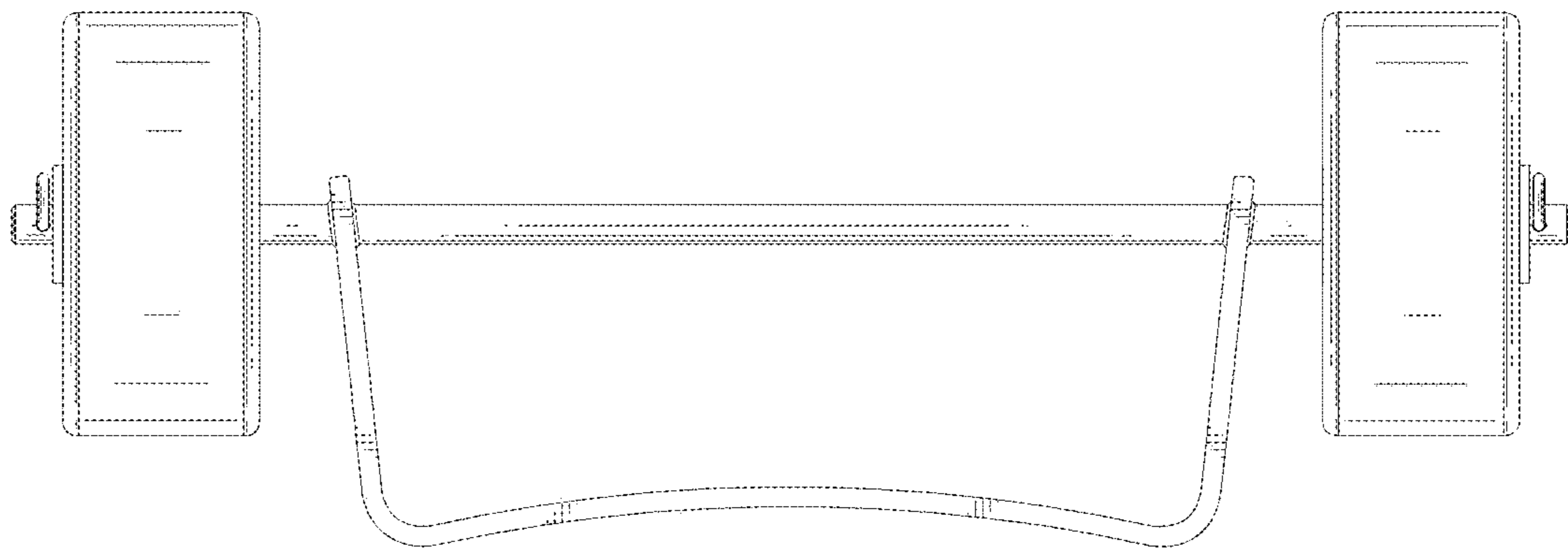


FIG. 6

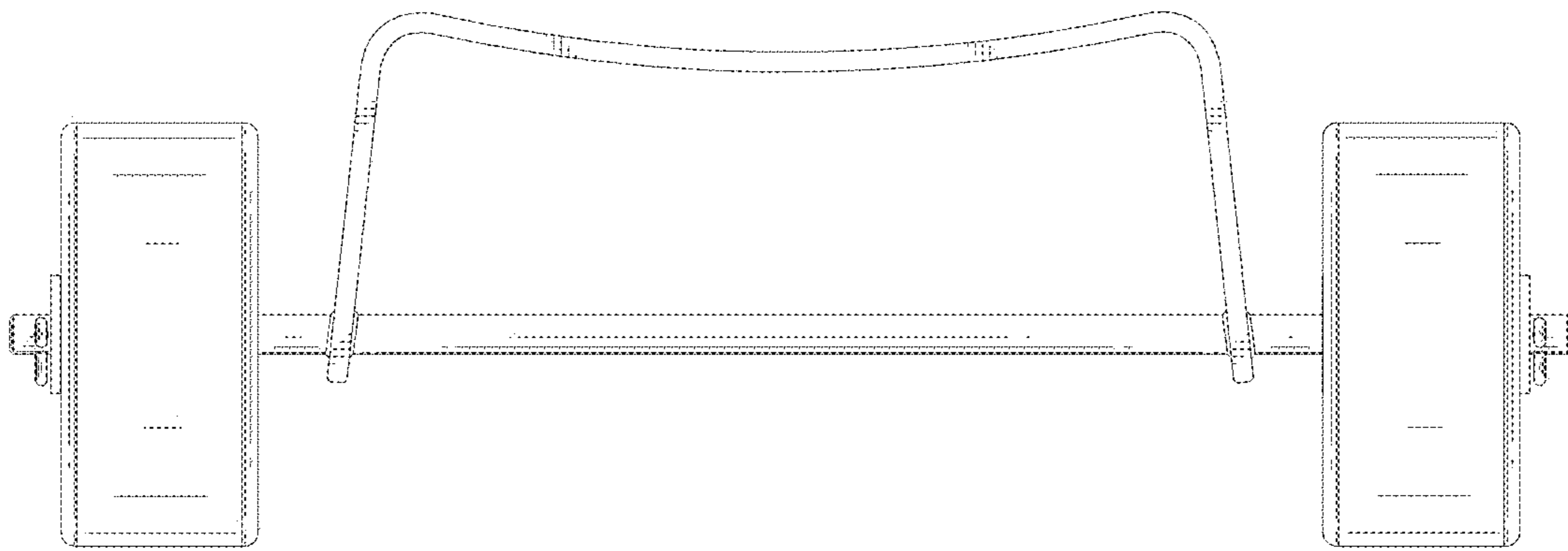


FIG. 7