



US00D968939S

(12) **United States Design Patent**  
**Tang**

(10) **Patent No.:** **US D968,939 S**

(45) **Date of Patent:** **\*\* Nov. 8, 2022**

(54) **FURNITURE SOCK**

(71) Applicant: **SHENZHEN SHISANLANG TECHNOLOGY CO LTD**, Guangdong (CN)

(72) Inventor: **Bo Tang**, Guangdong (CN)

(73) Assignee: **SHENZHEN SHISANLANG TECHNOLOGY CO LTD**, Guangdong (CN)

(\*\*) Term: **15 Years**

(21) Appl. No.: **29/748,645**

(22) Filed: **Aug. 31, 2020**

(51) **LOC (13) Cl.** ..... **08-11**

(52) **U.S. Cl.**  
USPC ..... **D8/374**

(58) **Field of Classification Search**  
USPC ..... D6/610, 710, 718; D8/315, 321–322, D8/373–375  
CPC ..... A47B 91/12; A47C 7/002; Y10T 16/216  
See application file for complete search history.

(56) **References Cited**

**U.S. PATENT DOCUMENTS**

70,490	A *	11/1867	Winchester	.....	A47B 91/04 248/188.9
D27,665	S *	9/1897	Bailey	.....	D8/374
D44,996	S *	12/1913	Buser	.....	D8/374
1,903,609	A *	4/1933	Uhl	.....	A47B 91/04 16/42 R
1,921,561	A *	8/1933	Christmas	.....	A47B 91/04 248/188.9
2,103,095	A *	12/1937	Schermerhorn	.....	A47B 91/04 248/188.9
D166,618	S *	4/1952	Mince	.....	D6/610
D195,629	S *	7/1963	Borah	.....	D8/382
3,199,819	A *	8/1965	Widmark	.....	A47B 91/06 135/77

3,467,117 A \* 9/1969 Lucibello ..... A47B 91/12  
135/84

D348,985 S \* 7/1994 Walker ..... D8/374

D400,088 S \* 10/1998 Hurrie ..... D8/374

(Continued)

**OTHER PUBLICATIONS**

“NancyProtectz Chair Leg Floor Protectors”, Sep. 19, 2010, Amazon.com, site visited May 3, 2022: <https://www.amazon.com/NancyProtectz-Protectors-Rubberized-Furniture-Protection/dp/B09PNXV8JG> (Year: 2010).\*

(Continued)

*Primary Examiner* — Jack Reickel

*Assistant Examiner* — Michael A Kervin

(74) *Attorney, Agent, or Firm* — ScienBiziP, P.C.

(57) **CLAIM**

The ornamental design for a furniture sock, as shown and described.

**DESCRIPTION**

FIG. 1 is a top perspective view of a furniture sock, showing my design.

FIG. 2 is a bottom perspective view thereof.

FIG. 3 is a front elevation view thereof.

FIG. 4 is a rear elevation view thereof.

FIG. 5 is a left side elevation view thereof.

FIG. 6 is a right side elevation view thereof.

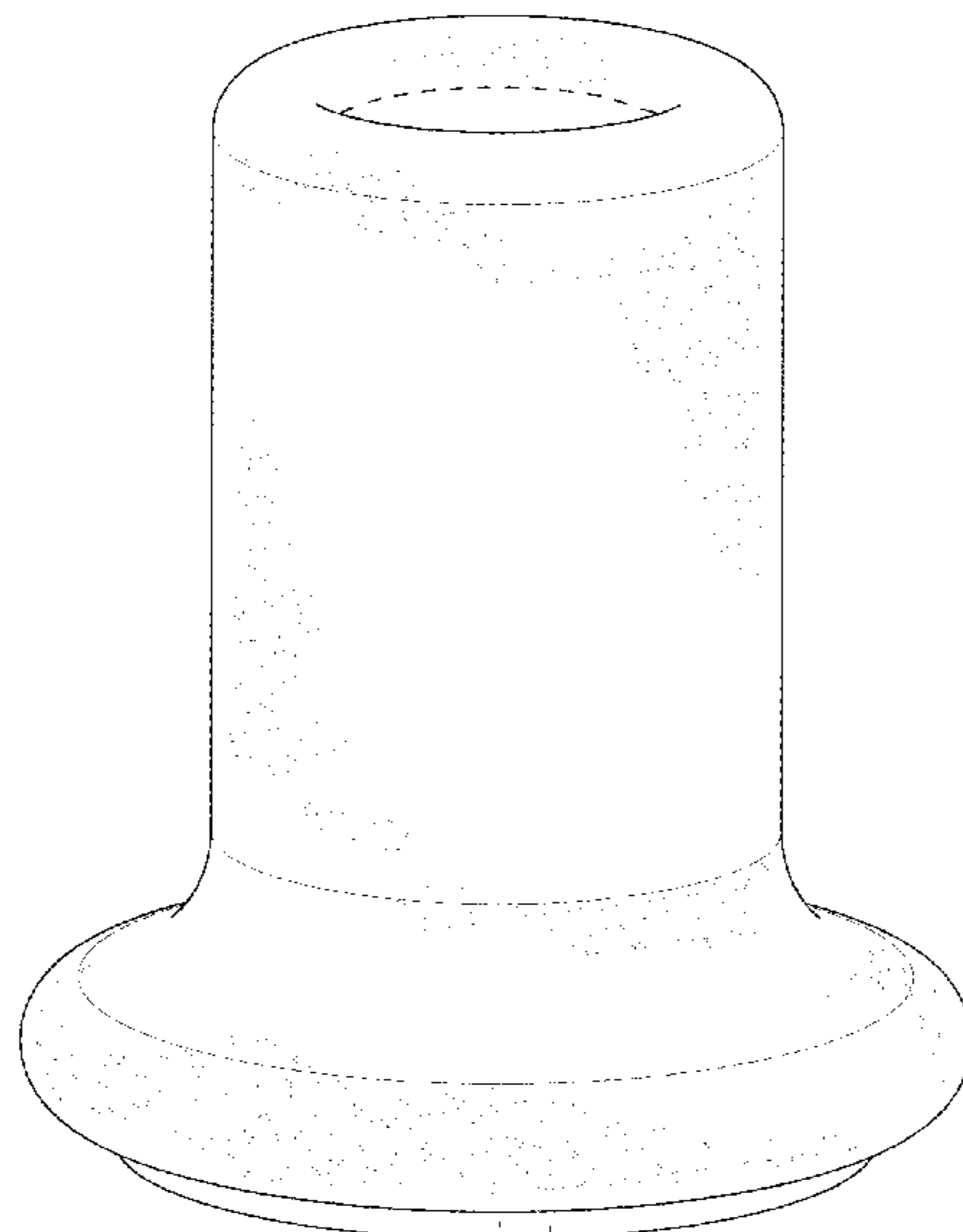
FIG. 7 is a top plan view thereof.

FIG. 8 is a bottom plan view thereof; and,

FIG. 9 is a perspective view of the furniture sock, shown in a state of use.

The short-short broken line showing of a furniture sock is for the purpose of illustrating the bounds of the claimed design and forms no part thereof. The long-short broken line showing of a stool is for the purpose of illustrating environmental structure and forms no part of the claimed design.

**1 Claim, 9 Drawing Sheets**



(56)

**References Cited**

U.S. PATENT DOCUMENTS

D487,392	S *	3/2004	Chase	.....	D8/374
D513,583	S *	1/2006	Chase	.....	D8/374
D605,935	S *	12/2009	Zeyfang	.....	D8/402
D617,631	S *	6/2010	Bushey	.....	D8/374
D617,894	S *	6/2010	Wright	.....	A61B 90/40 D24/121
D652,712	S *	1/2012	Bushey	.....	D8/374
D793,211	S *	8/2017	Exley	.....	D8/374
D864,701	S *	10/2019	Huang	.....	D8/376
D931,092	S *	9/2021	Tu	.....	D8/374
2005/0115022	A1 *	6/2005	Desmarais	.....	A47B 91/066 16/42 R
2008/0209686	A1 *	9/2008	Lang	.....	A47B 91/06 16/42 T
2012/0068034	A1 *	3/2012	Desmarais	.....	B60B 33/0028 156/86
2014/0106099	A1 *	4/2014	Desmarais	.....	B29C 45/0005 428/36.1
2015/0216304	A1 *	8/2015	Rondina	.....	A47B 91/04 16/30

OTHER PUBLICATIONS

“Outgeek 32 Pack Knitted Furniture Feet Socks”, Mar. 6, 2019, Amazon.ca, site visited May 3, 2022: <https://www.amazon.ca/Outgeek-Anti-Skid-Knitted-Protector-Furniture/dp/B07PHSG7JG> (Year: 2019).\*

“Chair Leg Socks”, Sep. 26, 2019, Amazon.sg, site visited May 3, 2022: <https://www.amazon.sg/dp/B07YHGSH95?th=1> (Year: 2019).\*

\* cited by examiner

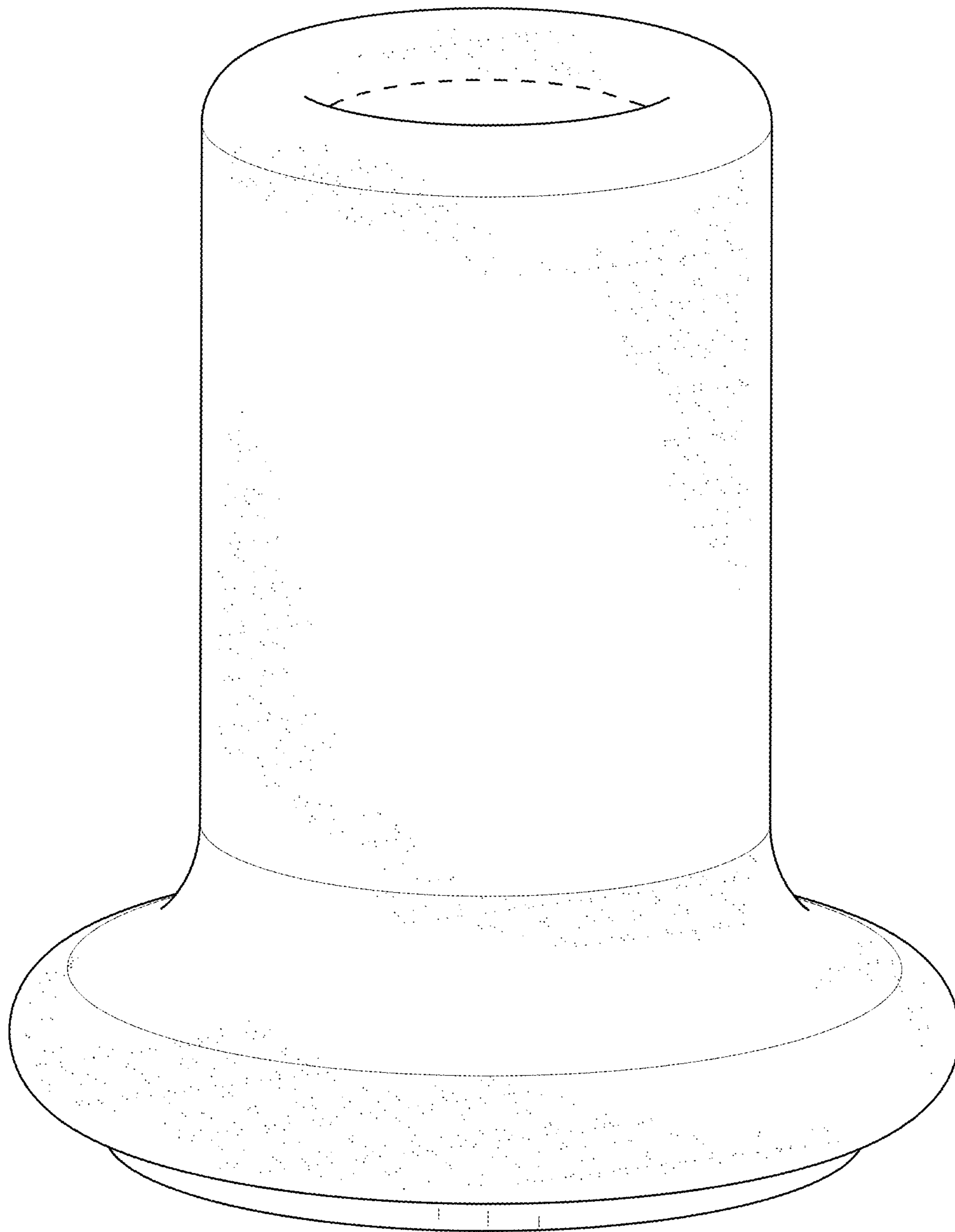


FIG. 1

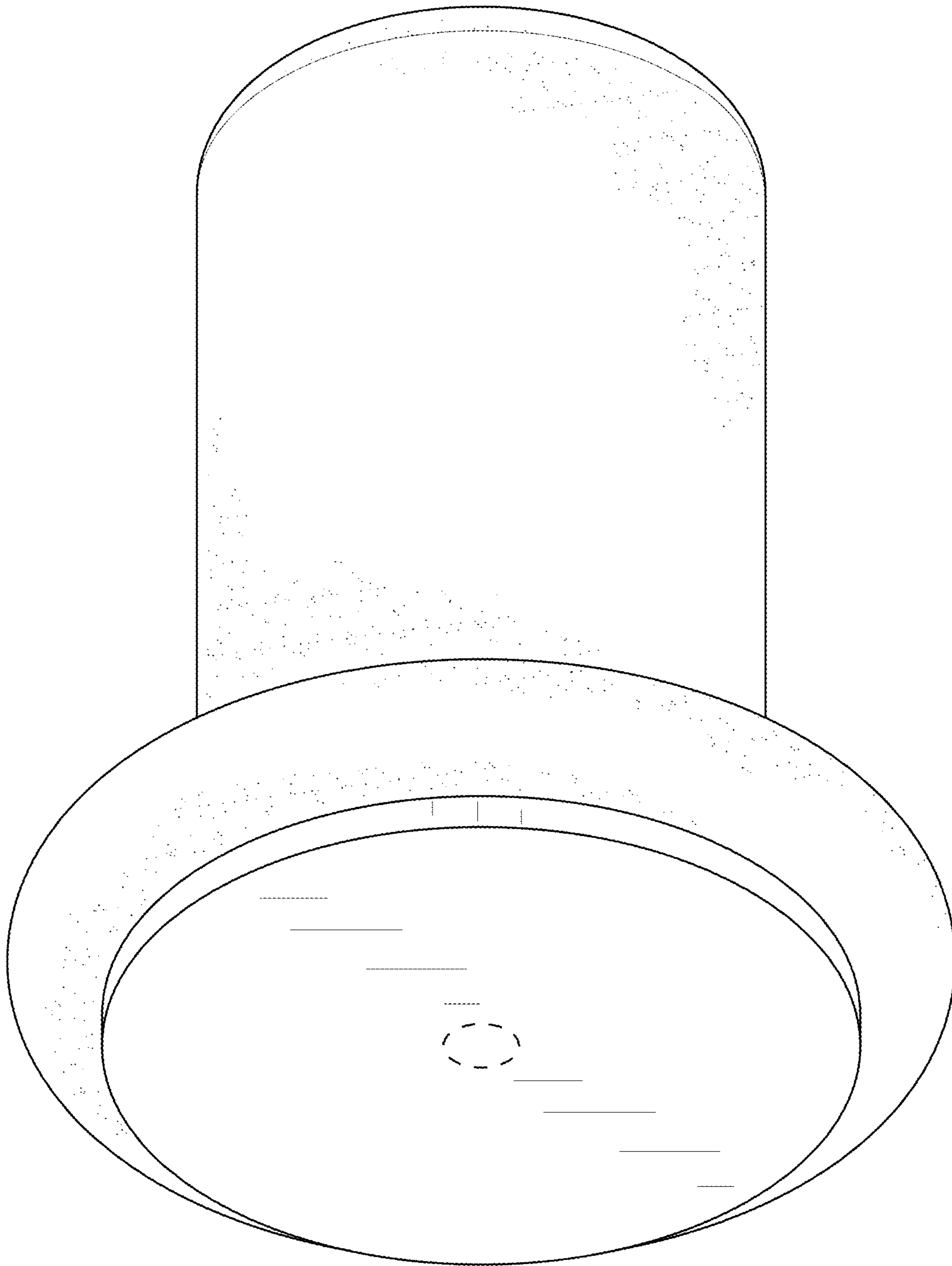


FIG. 2

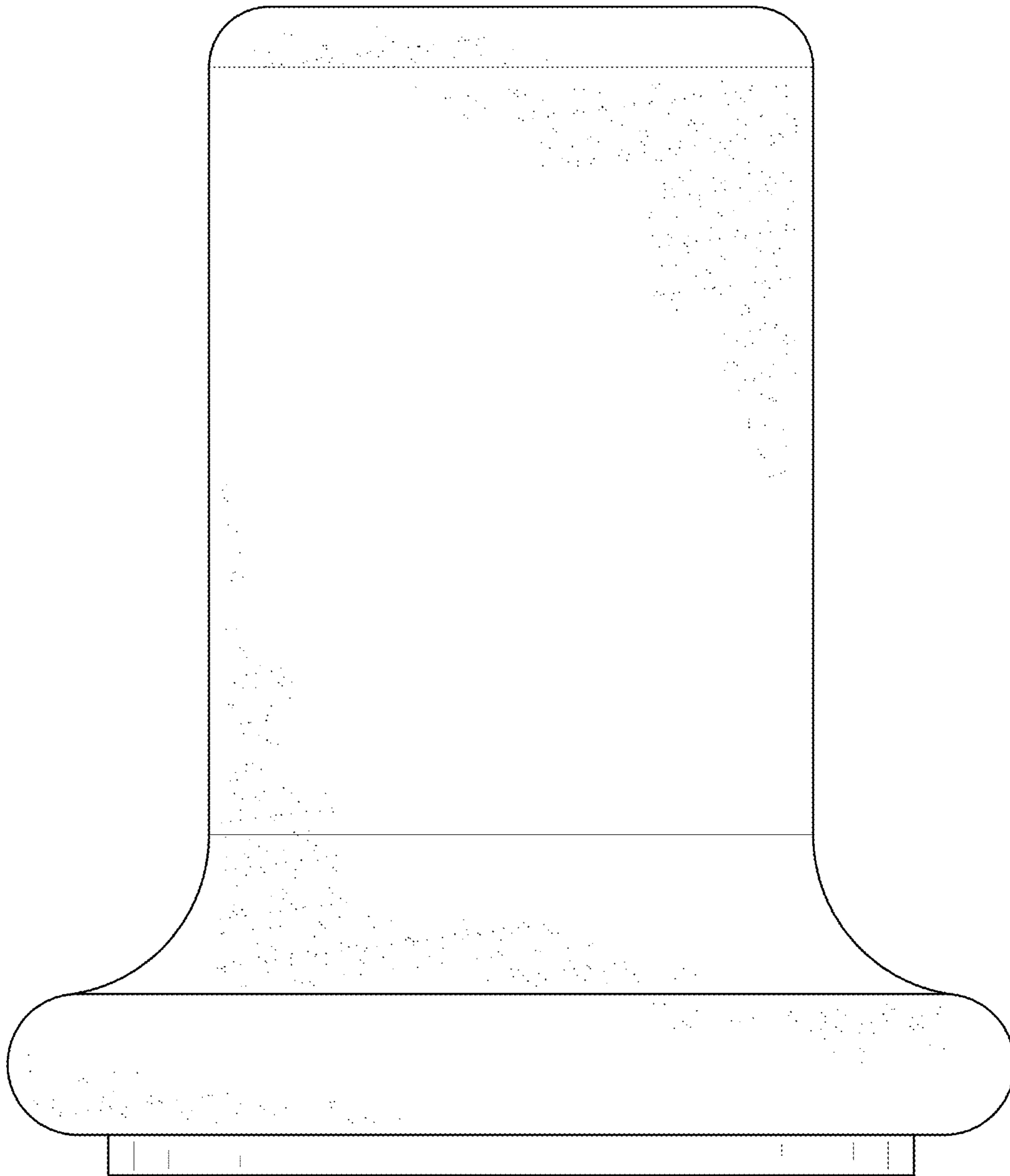


FIG. 3

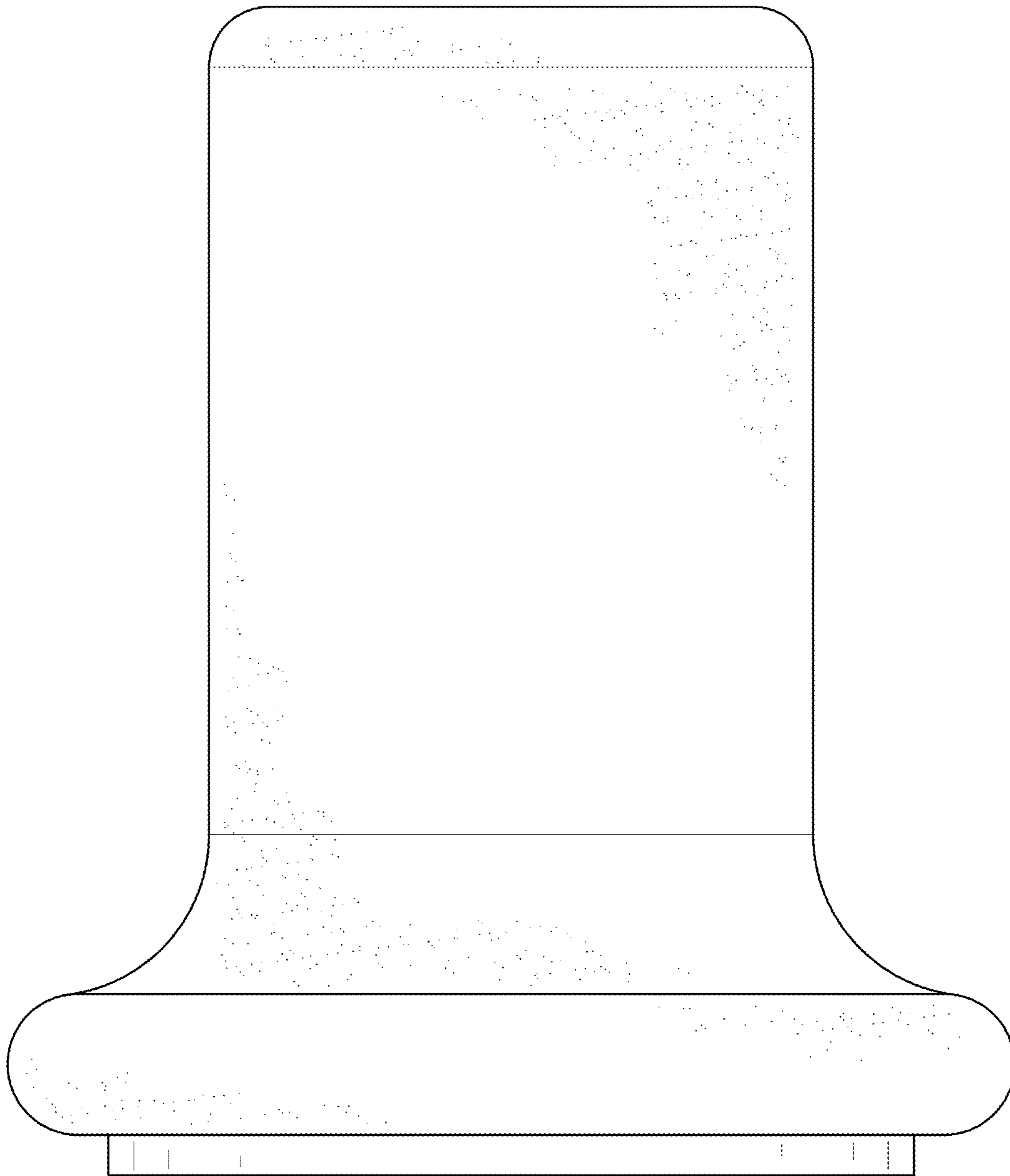


FIG. 4

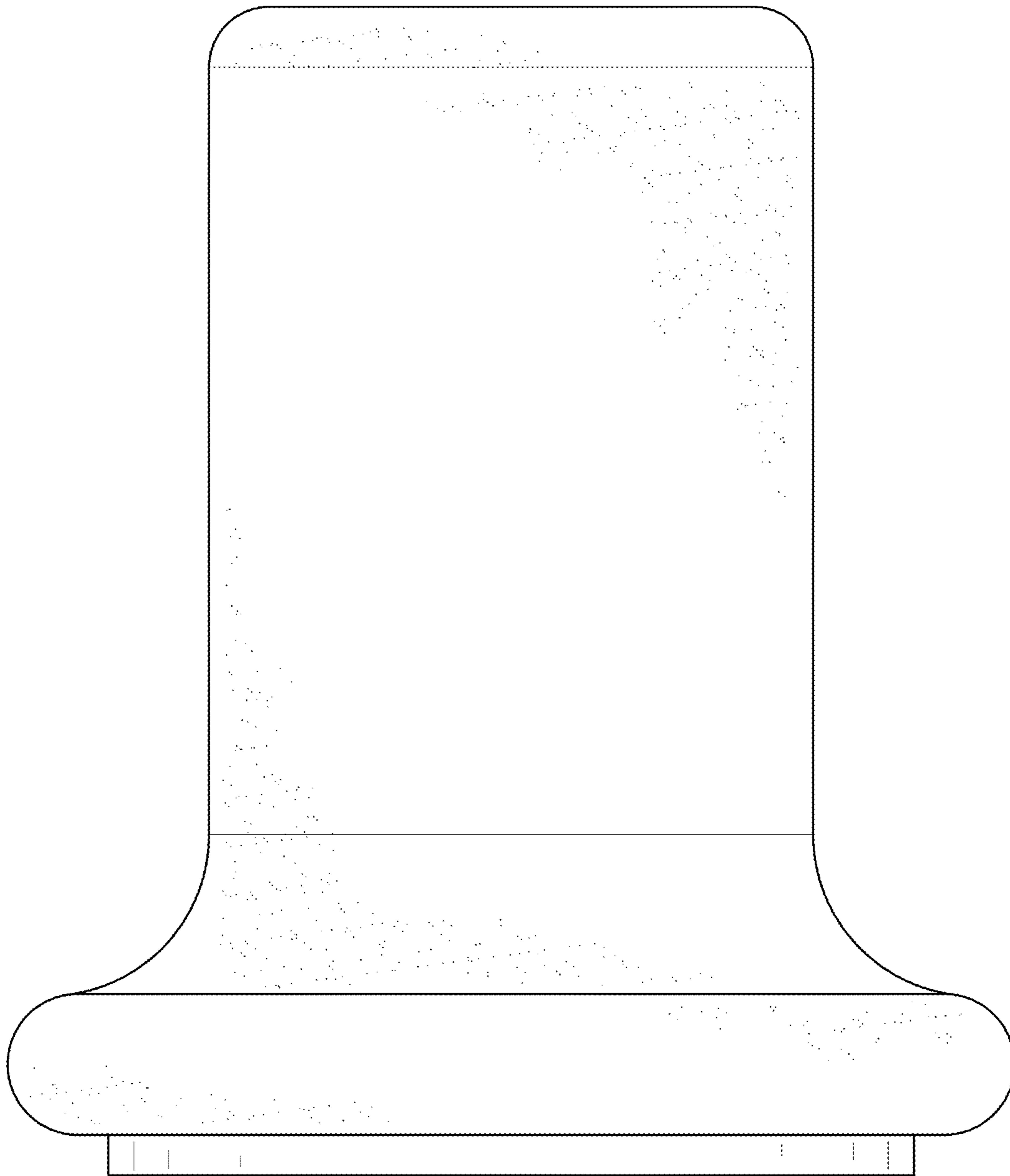


FIG. 5

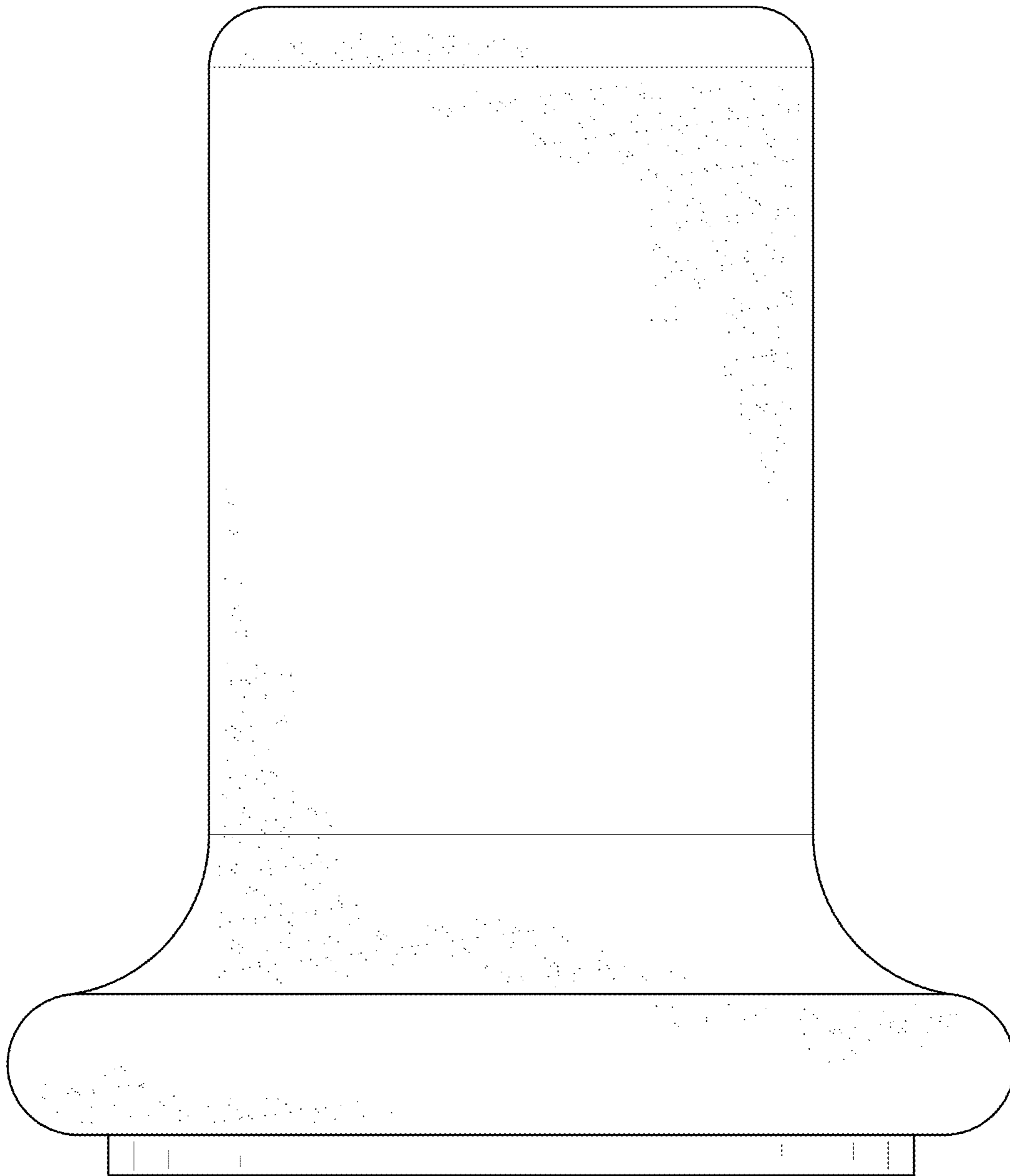


FIG. 6



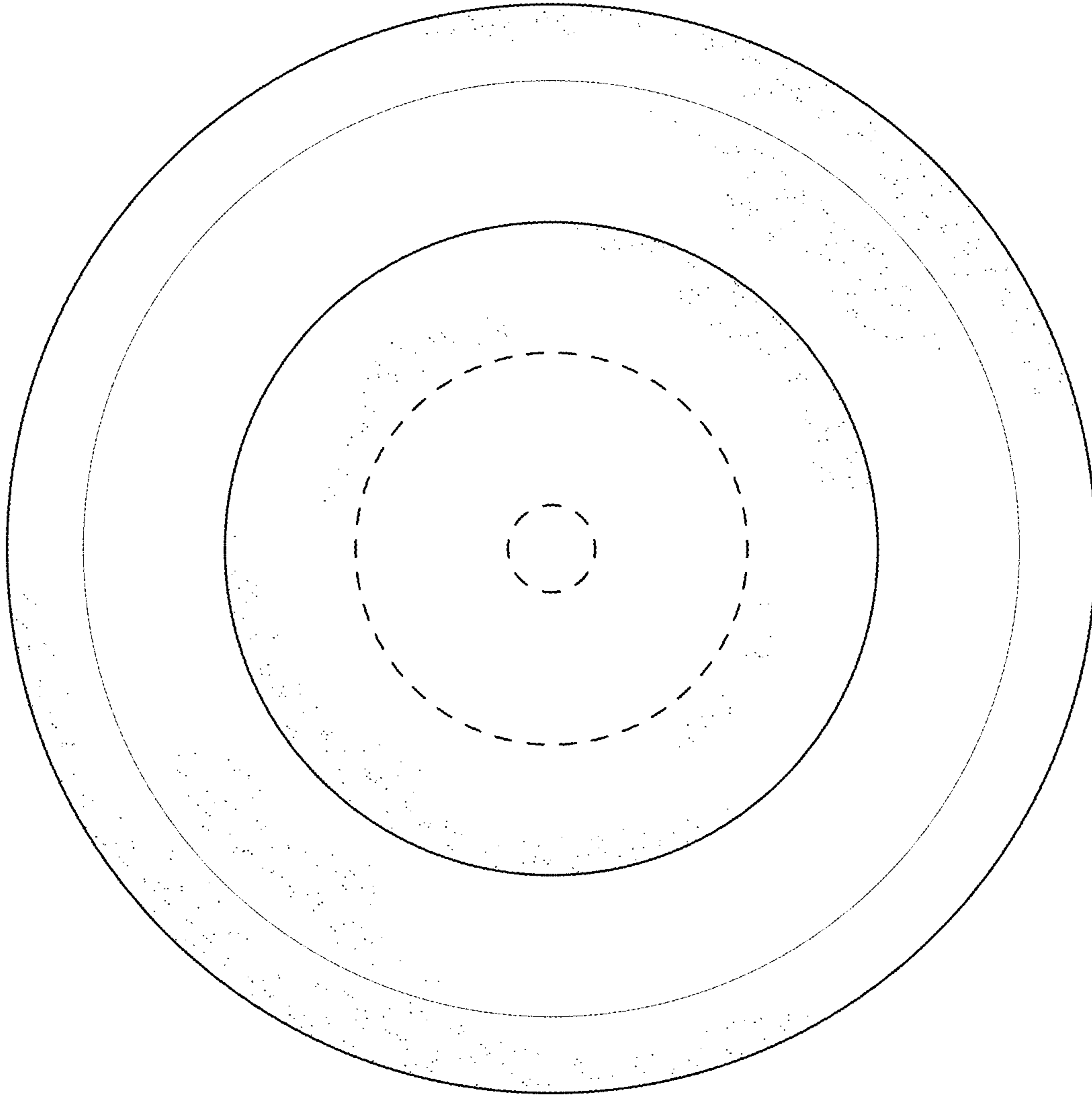


FIG. 7

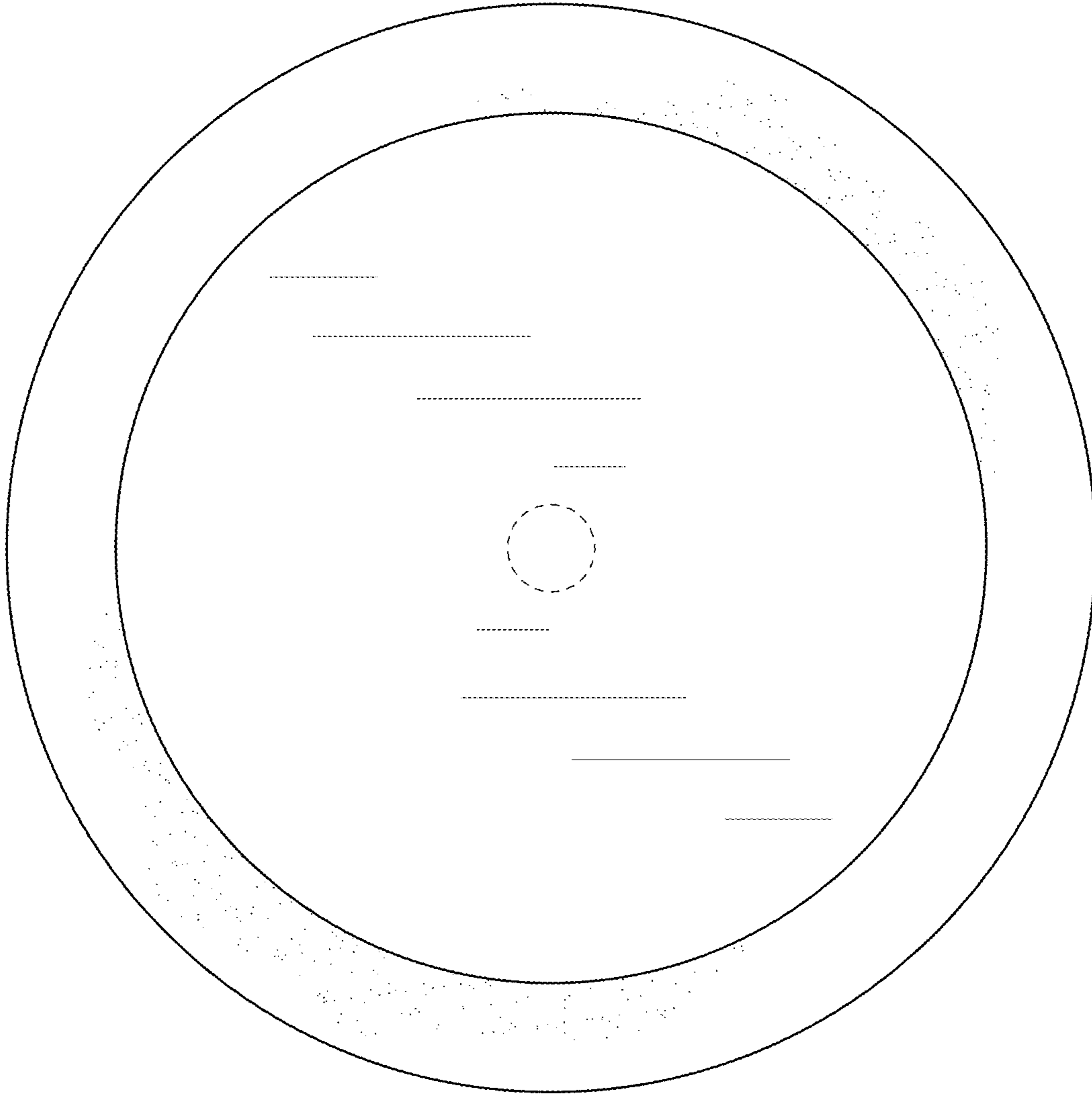


FIG. 8

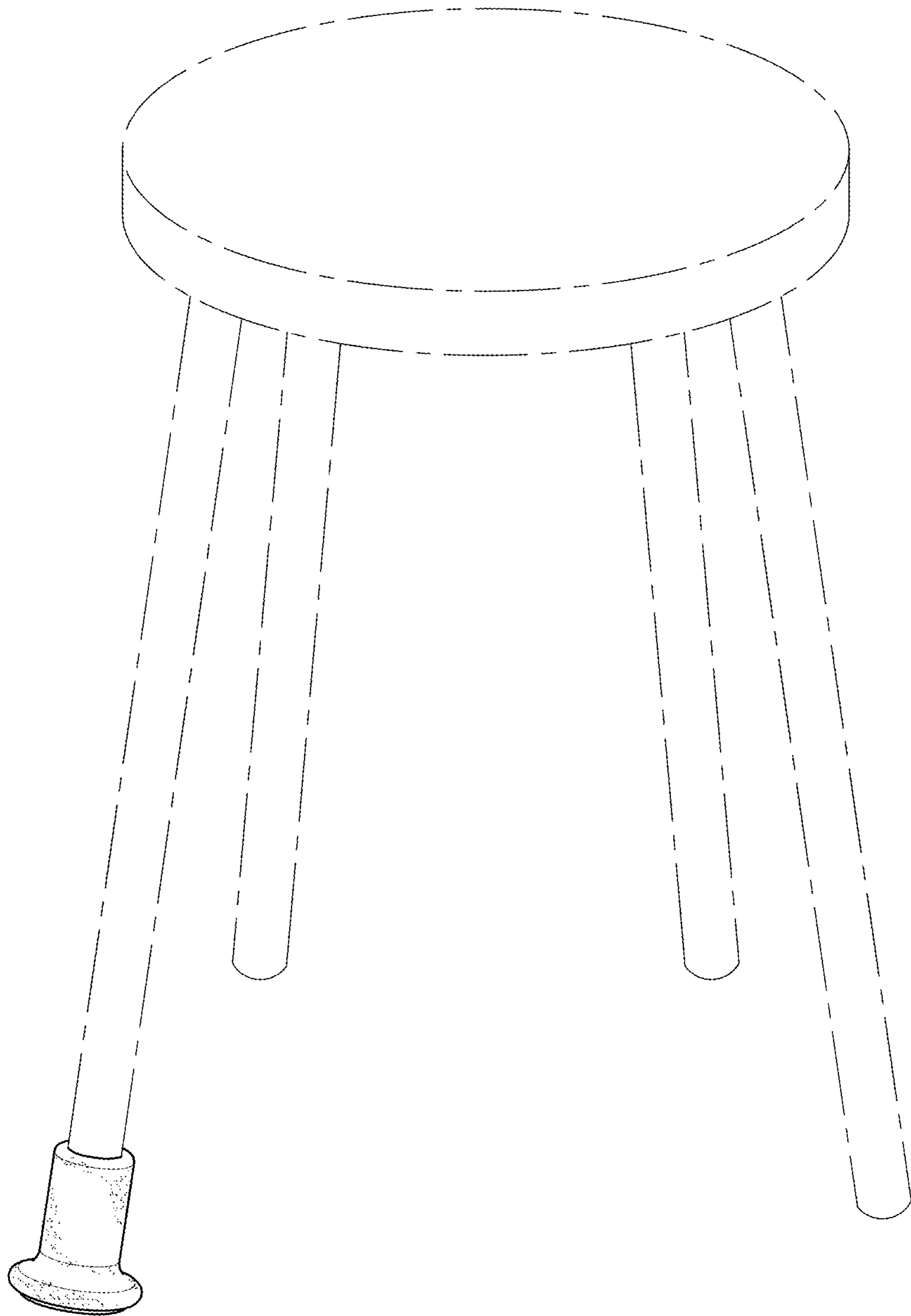


FIG. 9