



US00D968938S

(12) **United States Design Patent** (10) **Patent No.:** **US D968,938 S**
Zhou (45) **Date of Patent:** **** Nov. 8, 2022**

(54) **HOOK**
(71) Applicant: **Xiaona Zhou**, Guangdong (CN)
(72) Inventor: **Xiaona Zhou**, Guangdong (CN)
(**) Term: **15 Years**
(21) Appl. No.: **29/816,677**
(22) Filed: **Nov. 23, 2021**
(51) **LOC (13) Cl.** **08-03**
(52) **U.S. Cl.**
USPC **D8/372**
(58) **Field of Classification Search**
USPC D8/373, 358, 359, 354, 370, 71, 330,
D8/336, 351, 356, 360.1, 363, 364, 367,
D8/372, 379, 381, 382, 395, 396;
D6/349, 352
See application file for complete search history.

D801,787 S * 11/2017 Pan D8/367
D805,373 S * 12/2017 Shoenhair D8/367
D805,374 S * 12/2017 Shoenhair D8/367
D808,779 S * 1/2018 Shoenhair D8/367
D812,454 S * 3/2018 Berger D8/367
D817,745 S * 5/2018 Berger D8/367
D818,805 S * 5/2018 Knight D8/376
D822,467 S * 7/2018 Shoenhair D8/367
D822,468 S * 7/2018 Shoenhair D8/367
D822,469 S * 7/2018 Shoenhair D8/367
D842,081 S * 3/2019 Thompson D8/367
D842,082 S * 3/2019 Thompson D8/367
D842,083 S * 3/2019 Thompson D8/367
10,221,883 B2 * 3/2019 Demsky F16M 13/022
D853,223 S * 7/2019 Chang D8/367

* cited by examiner

Primary Examiner — Khawaja Anwar

(57) **CLAIM**

The ornamental design for a hook, as shown and described.

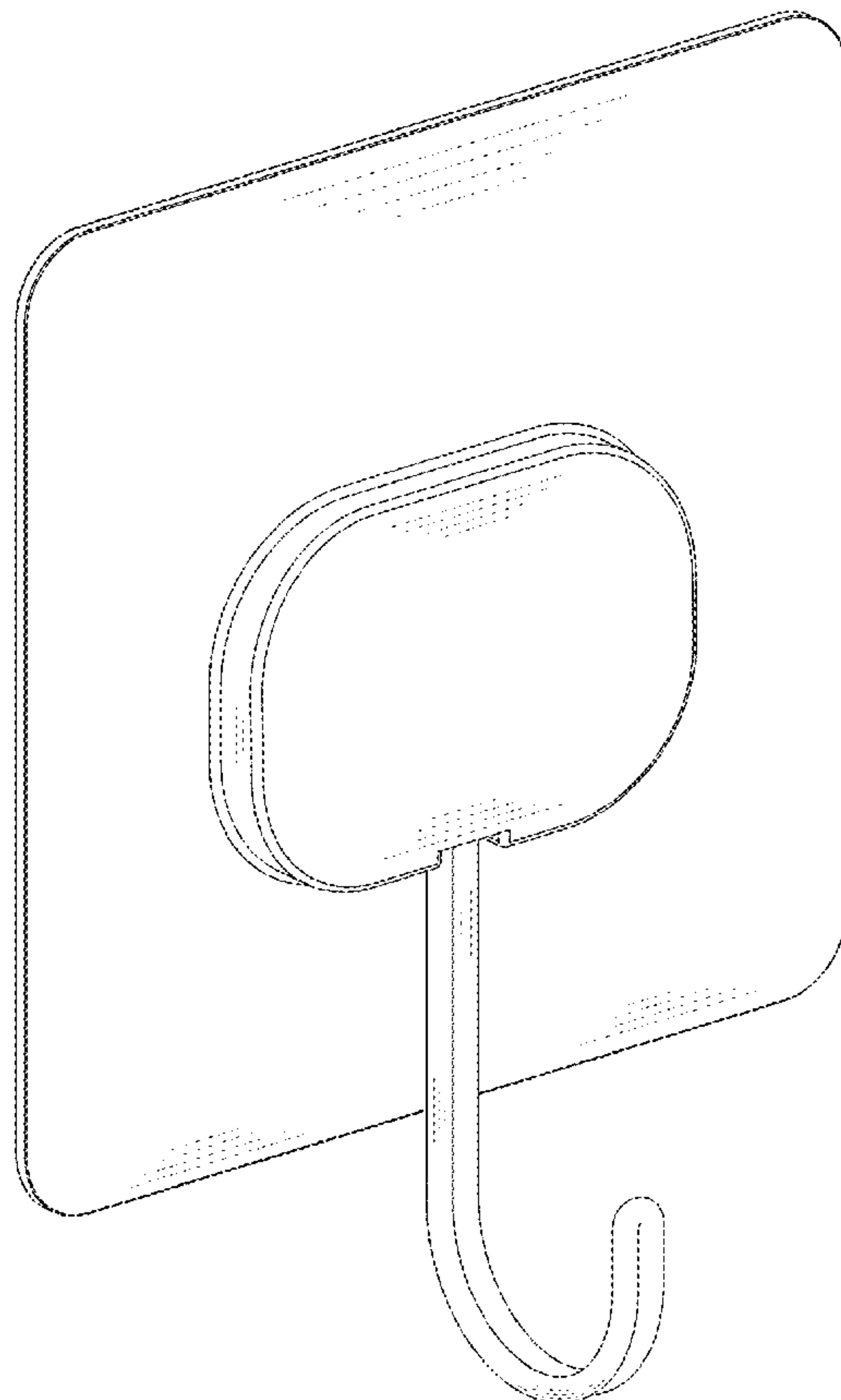
DESCRIPTION

FIG. 1 is a perspective view of a hook showing my new design;
FIG. 2 is a front view thereof;
FIG. 3 is a back view thereof;
FIG. 4 is a left side view thereof;
FIG. 5 is a right side view thereof;
FIG. 6 is a top plan view thereof; and,
FIG. 7 is a bottom plan view thereof.

1 Claim, 7 Drawing Sheets

(56) **References Cited**
U.S. PATENT DOCUMENTS

D633,372 S 3/2011 Ayrest
D665,653 S 8/2012 Thompson
D680,852 S * 4/2013 Gilboe D8/367
D682,014 S * 5/2013 Gilboe D7/367
D714,622 S * 10/2014 Pan D8/367
D714,623 S * 10/2014 Pan D8/367
D798,694 S * 10/2017 Shoenhair D8/367
D801,786 S * 11/2017 Pan D8/367



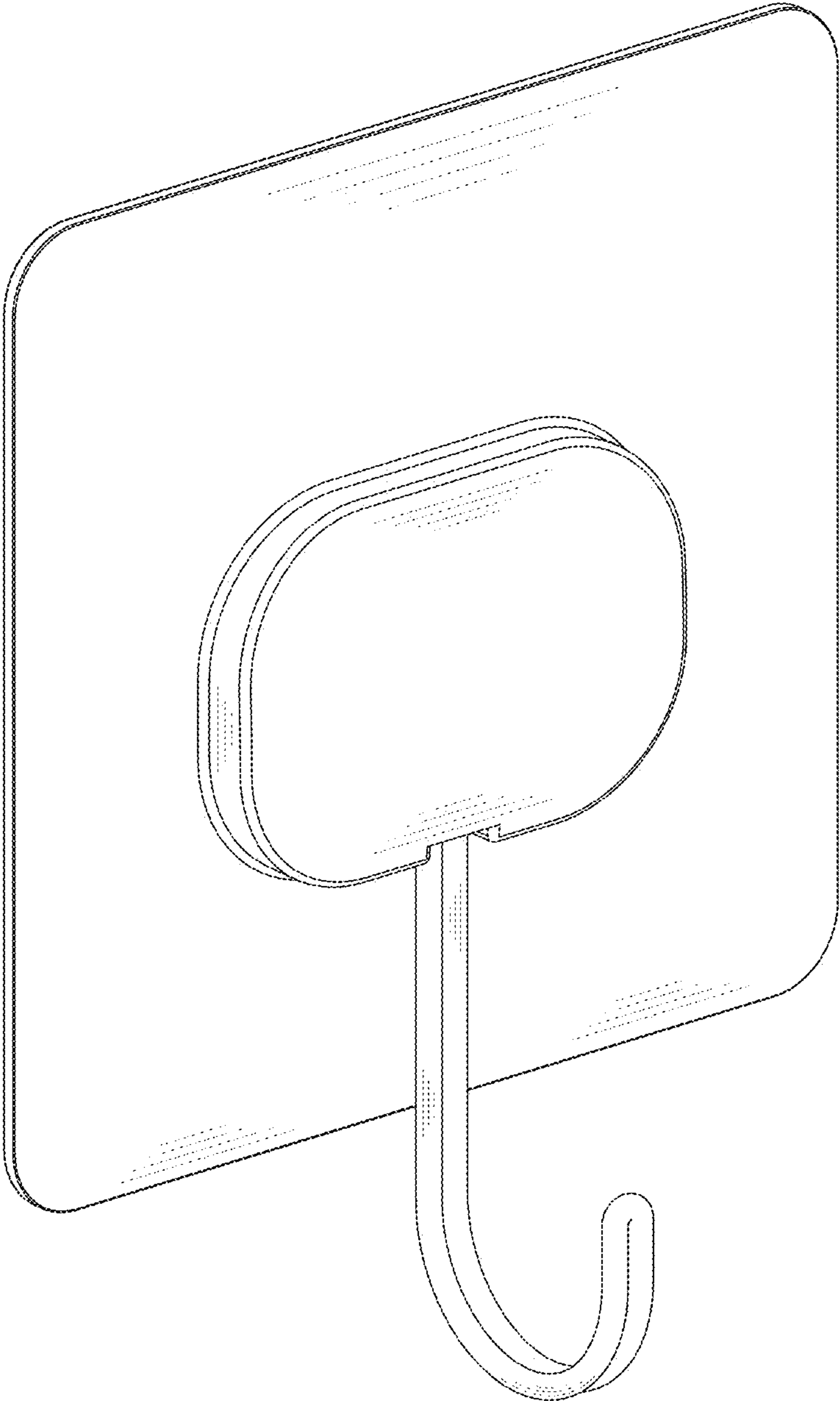


FIG. 1

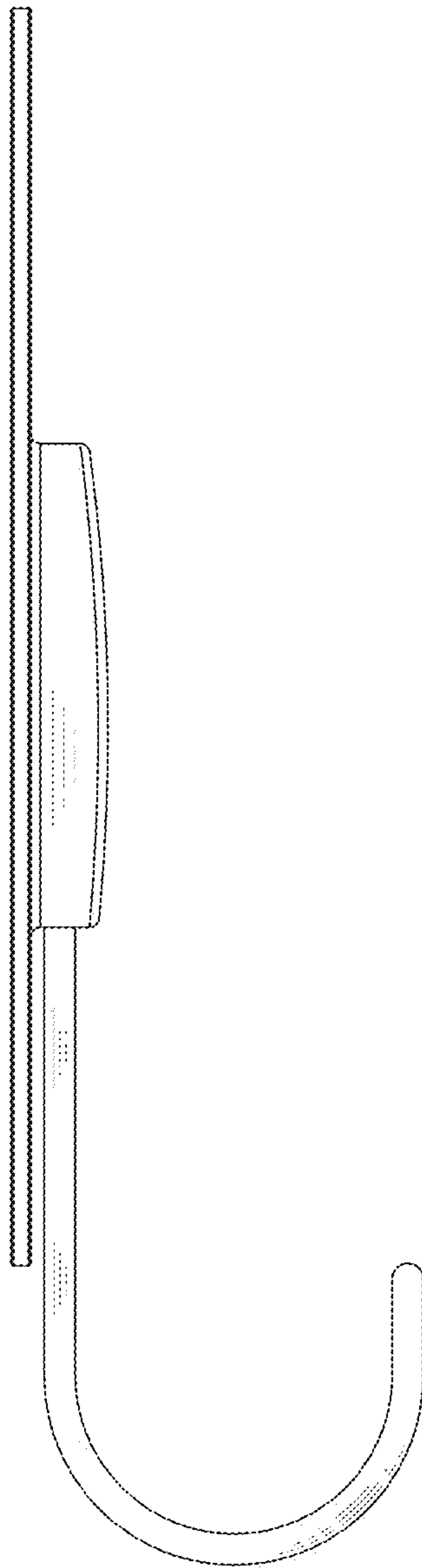


FIG. 2

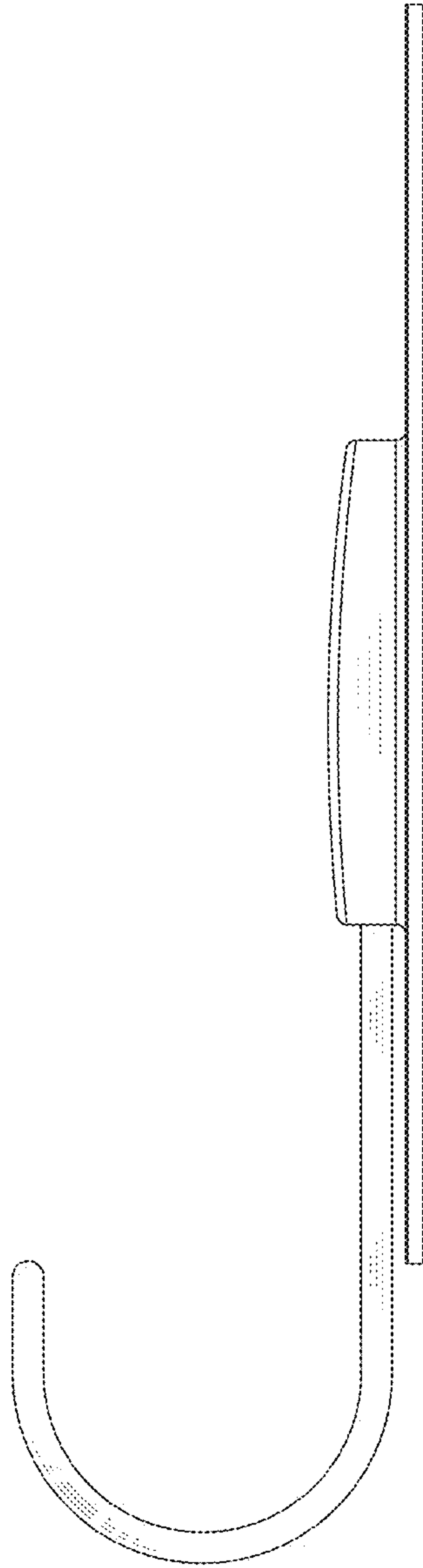


FIG. 3

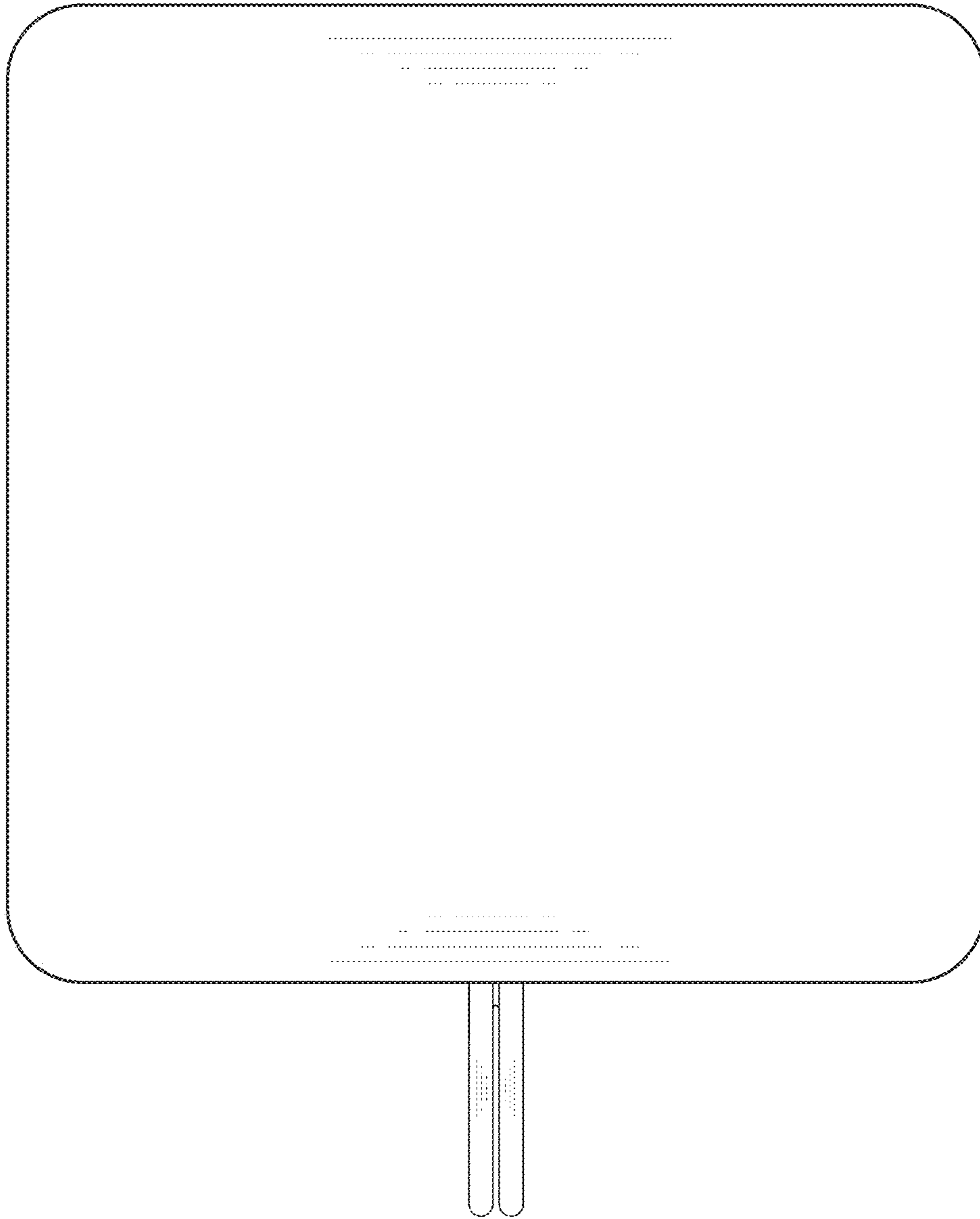


FIG. 4

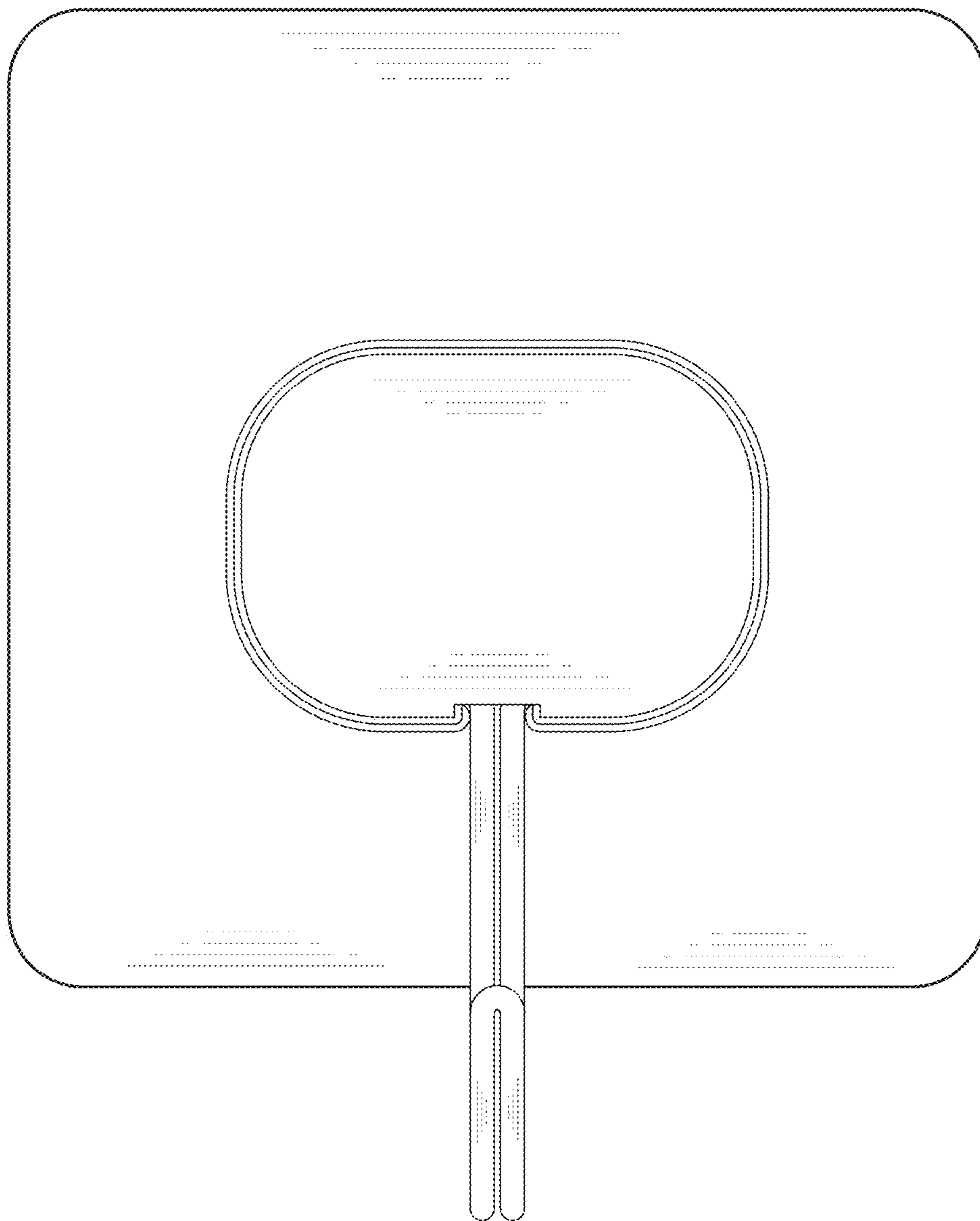


FIG. 5

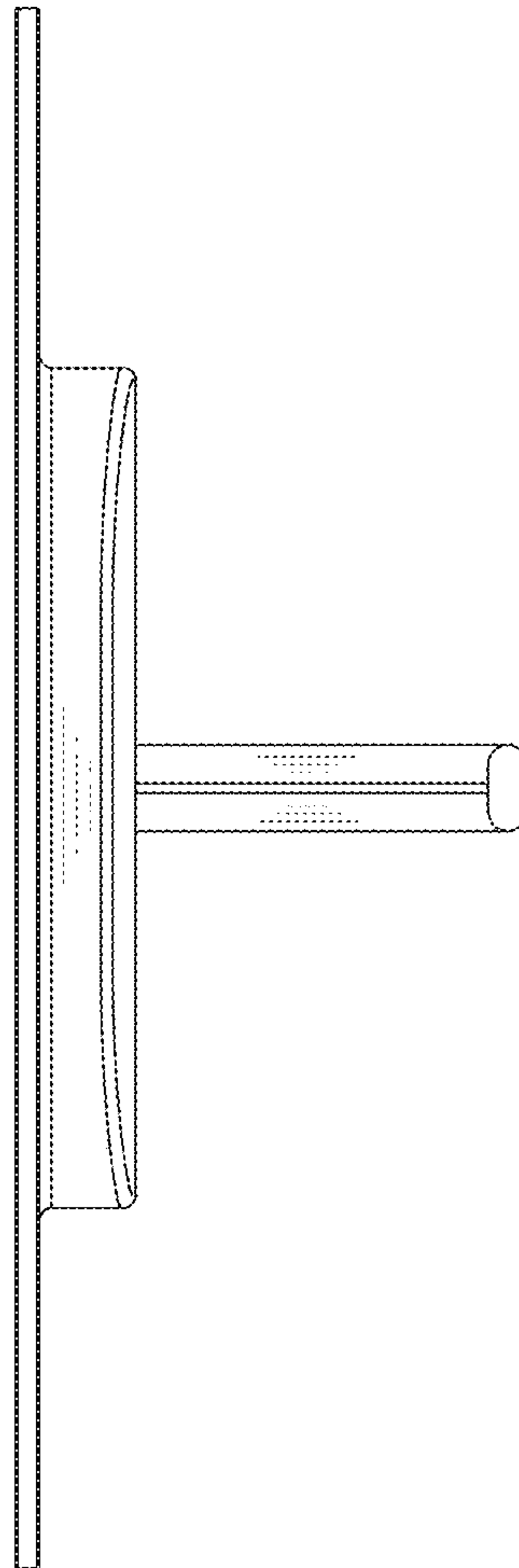


FIG. 6

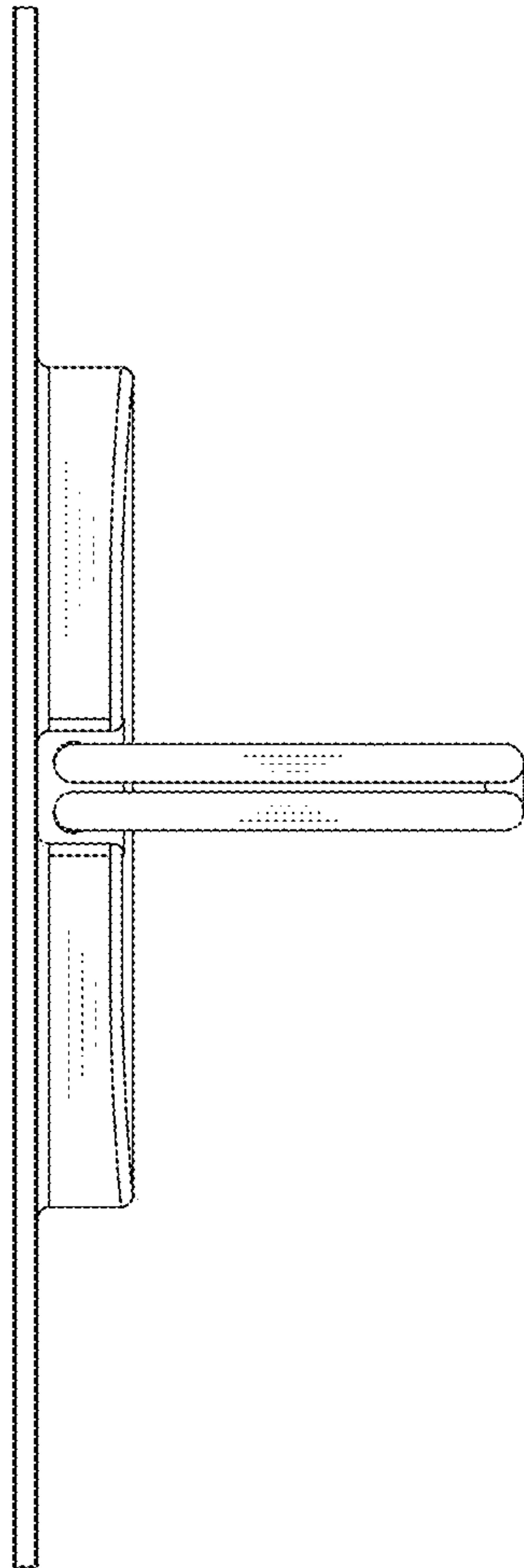


FIG. 7