



US00D968936S

(12) **United States Design Patent** (10) **Patent No.:** **US D968,936 S**
Liu (45) **Date of Patent:** **** Nov. 8, 2022**

(54) **CABLE TIE**
(71) Applicant: **Yan Liu**, Xianning (CN)
(72) Inventor: **Yan Liu**, Xianning (CN)
(**) Term: **15 Years**

D776,990 S * 1/2017 To A44B 17/0023
D7/683
D797,548 S * 9/2017 Sola D8/394
9,820,535 B2 * 11/2017 Frydlewski A44B 17/0023
D811,859 S * 3/2018 Orser D8/356
D817,155 S * 5/2018 Li D8/356
(Continued)

(21) Appl. No.: **29/847,730**
(22) Filed: **Jul. 27, 2022**

OTHER PUBLICATIONS

(30) **Foreign Application Priority Data**

40 Pcs Cable Tie Silicone Reusable Holder Strap Cord Ties Adjustable Cable Straps Multipurpose Charging Cable Organizer for Fastening Cable Charging Cords Wires Power(Black, White, Gray, Pink); Nuanchu; Amazon.com; Apr. 12, 2022; accessed Aug. 21, 2022; URL:< <https://www.amazon.com/dp/B09XR2NDFS?th=1> > (Year: 2022).*

Feb. 24, 2022 (CN) 202230090777.7

(51) **LOC (13) Cl.** **09-06**

(52) **U.S. Cl.**
USPC **D8/356**

(58) **Field of Classification Search**
USPC D8/353-356, 363, 376, 380, 381, 384, D8/394
CPC ... A47B 96/021; A47B 96/027; A47B 96/061; A47H 1/08; A47H 1/12; A47H 1/122; A47H 1/124; A47H 1/14; A47H 1/142; A47H 1/144; B65D 63/109; F16L 3/06; F16L 3/1025; F16L 3/1058; F16L 3/13; F16L 3/137; F16L 3/14

See application file for complete search history.

(Continued)

Primary Examiner — Rachel A. Voorhies
Assistant Examiner — Benjamin D. Wannemacher
(74) *Attorney, Agent, or Firm* — Daniel M. Cohn; Howard M. Cohn

(56) **References Cited**

U.S. PATENT DOCUMENTS

1,945,932 A * 2/1934 Caley A45D 2/18
24/17 AP
D204,261 S * 4/1966 Geisinger D8/394
D204,262 S * 4/1966 Geisinger D8/394
D252,741 S * 8/1979 Taylor D9/434
D662,987 S * 7/2012 Ianke D19/59
D729,045 S * 5/2015 Cavanaugh A45D 2/18
D8/356
D729,054 S * 5/2015 Chen D8/356
D751,888 S 3/2016 Sakamoto

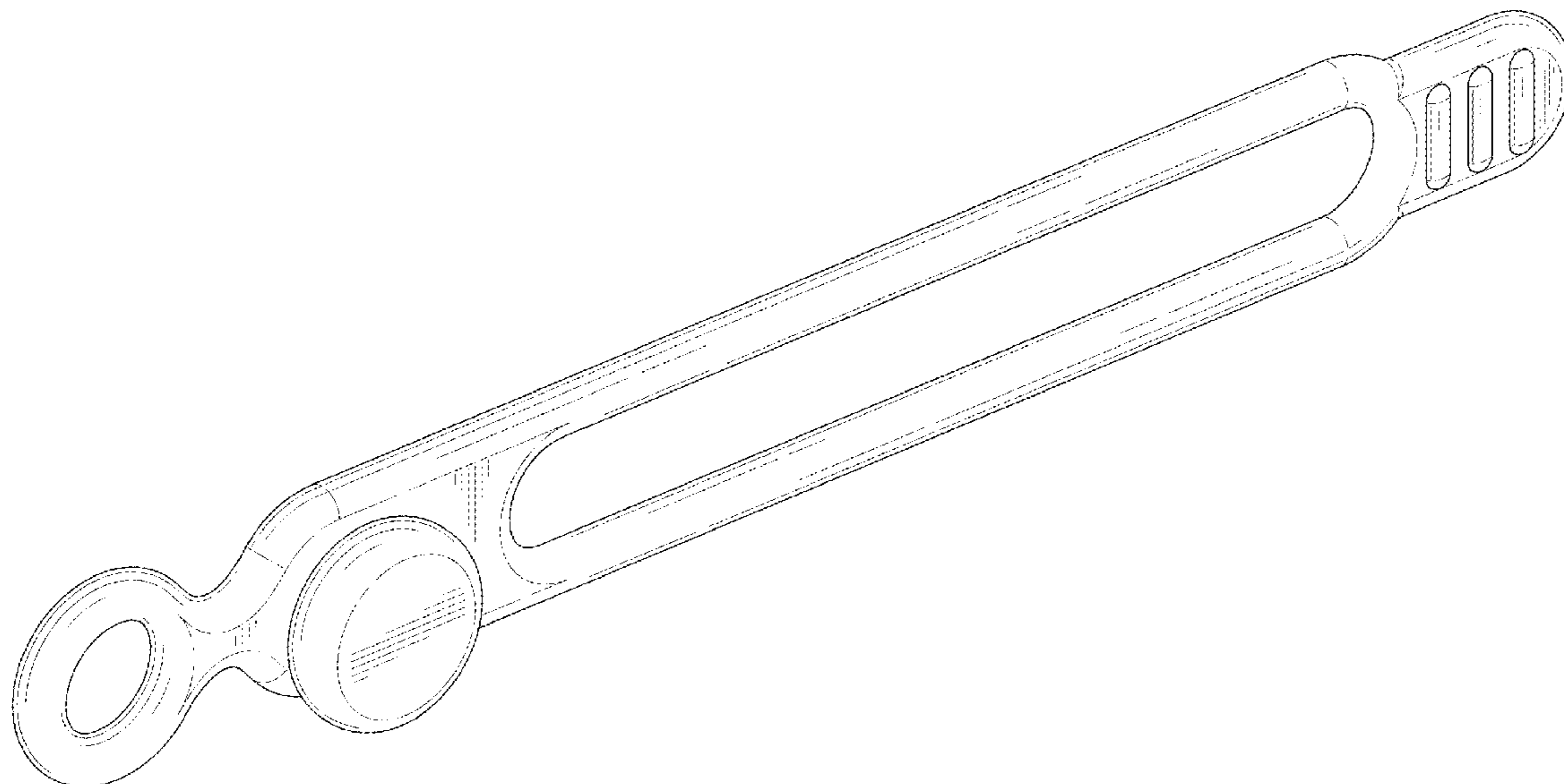
(57) **CLAIM**

The ornamental design for a cable tie, as shown and described.

DESCRIPTION

FIG. 1 is a perspective view of a cable tie showing my new design;
FIG. 2 is another perspective view thereof;
FIG. 3 is a front elevational view thereof;
FIG. 4 is a rear elevational view thereof;
FIG. 5 is a left side elevational view thereof;
FIG. 6 is a right side elevational view thereof;
FIG. 7 is a top plan view thereof; and,
FIG. 8 is a bottom plan view thereof.
The dash-dash broken lines in the drawings depict portions of the cable tie that form no part of the claimed design.

1 Claim, 8 Drawing Sheets



(56)

References Cited

U.S. PATENT DOCUMENTS

D818,350 S * 5/2018 Dencek D8/356
D939,936 S 1/2022 Wang

OTHER PUBLICATIONS

Philbinden 18pcs Silicone cord ties Wire Organizer for Earphone Reusable Fastening Cable Ties Cord Keeper for Cord Management and Desk or Office Organization (6 colors); Philbinden; Amazon.com; Jun. 24, 2022; accessed Aug. 21, 2022; URL:<<https://www.amazon.com/dp/B0B517NJ3Y?th=1> > (Year: 2022).*

[20Park]UMUST Silicone Cable Ties,Reusable Cable Management Organizer,Cable Straps,Cord Ties,Multipurpose Elastic Cord Organizer for Bundling and Fastening Cable Cords Wires(Black,White, Pink . . .); UMUST; Amazon.com; May 26, 2022; accessed Aug. 21, 2022; URL:< <https://www.amazon.com/dp/B0B2CD4881?th=1> > (Year: 2022).*

Nearockle 16Pcs Silicone Cable Straps Wire Organizer for Earphone, Phone Charger, Mouse, Audio, Computer, Reusable Fastening Cable Ties Cord Organizer in Home, Office, Kitchen, . . .); Nearockle Store; Amazon.com; Mar. 28, 2022; accessed Aug. 21, 2022; URL:< <https://www.amazon.com/dp/B09WMHPQZH?th=1> > (Year: 2022).*

* cited by examiner

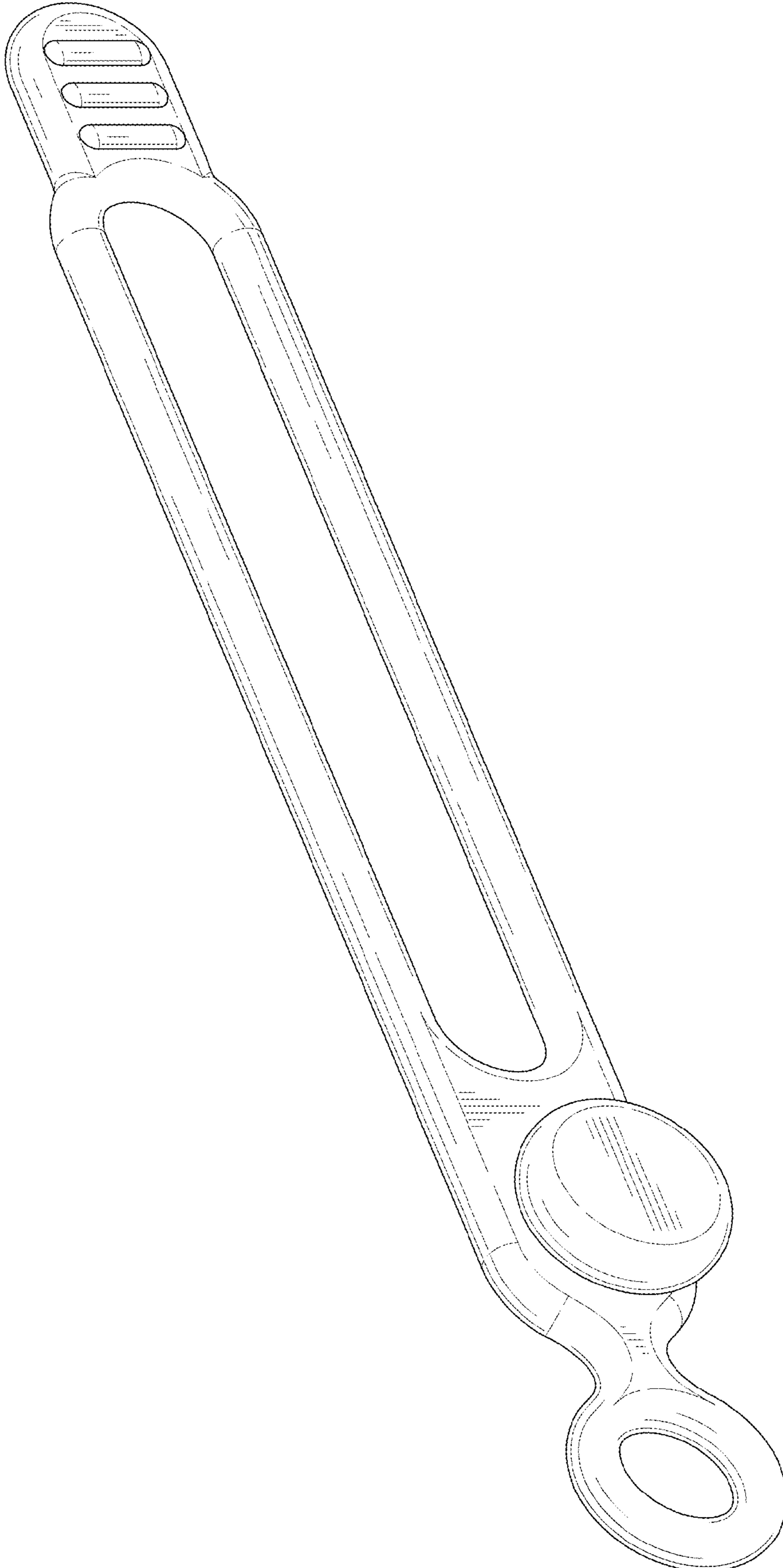


FIG. 1

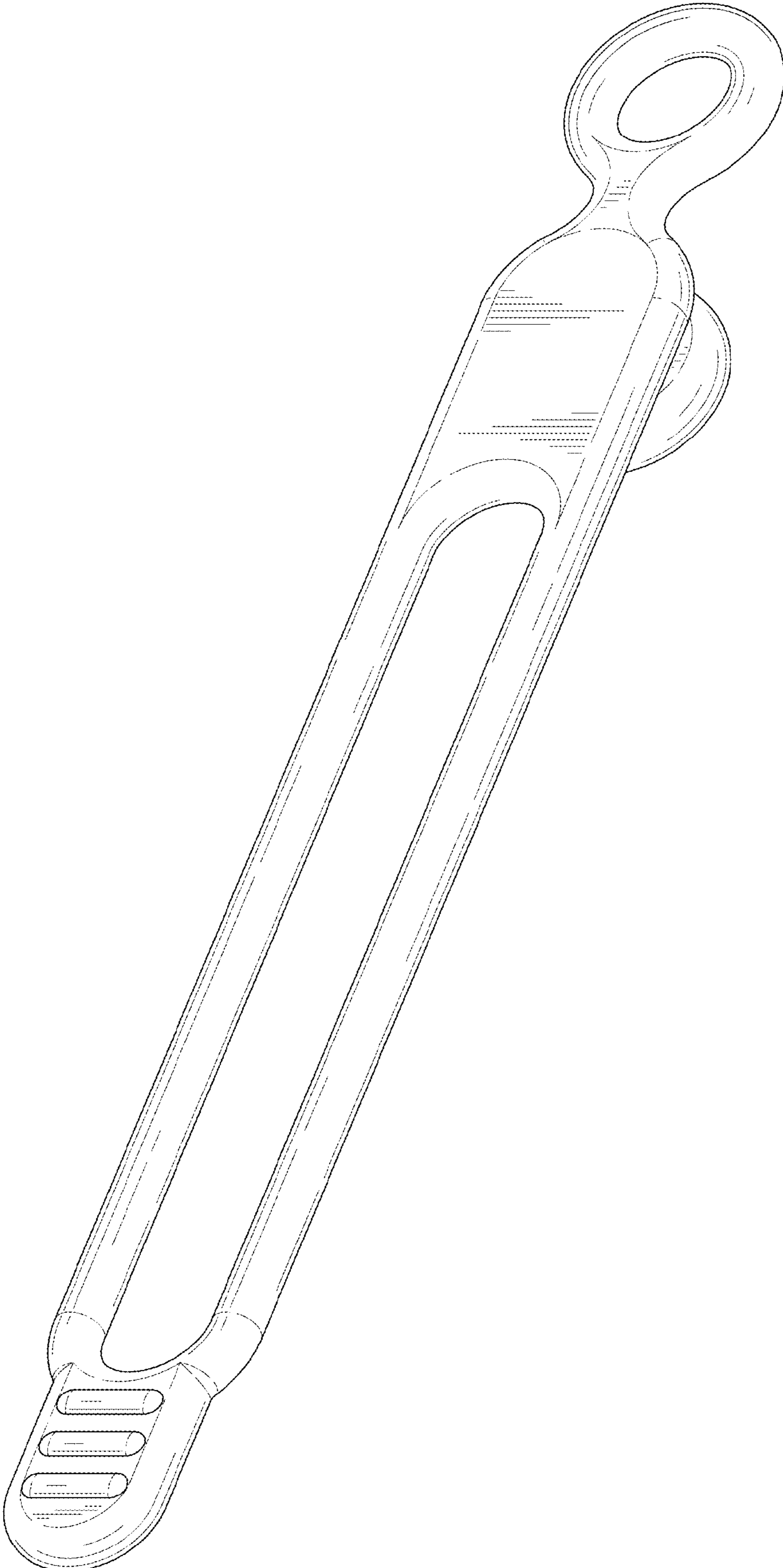


FIG. 2

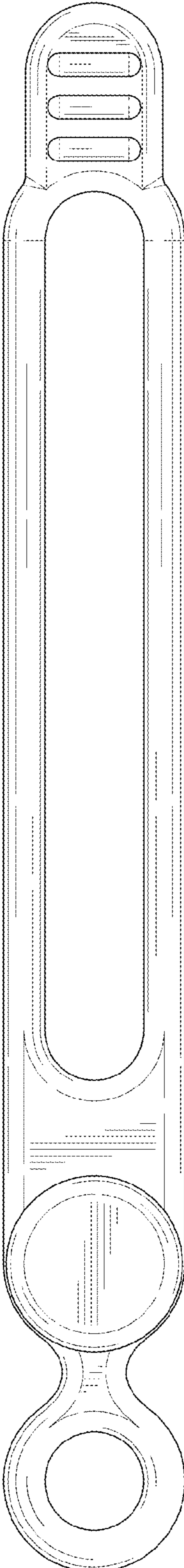


FIG. 3

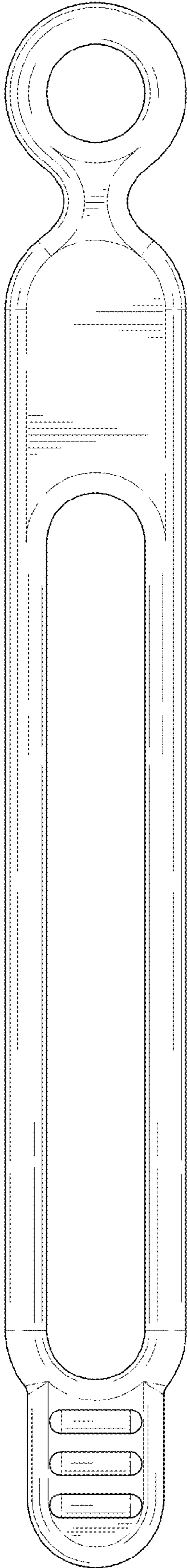


FIG. 4

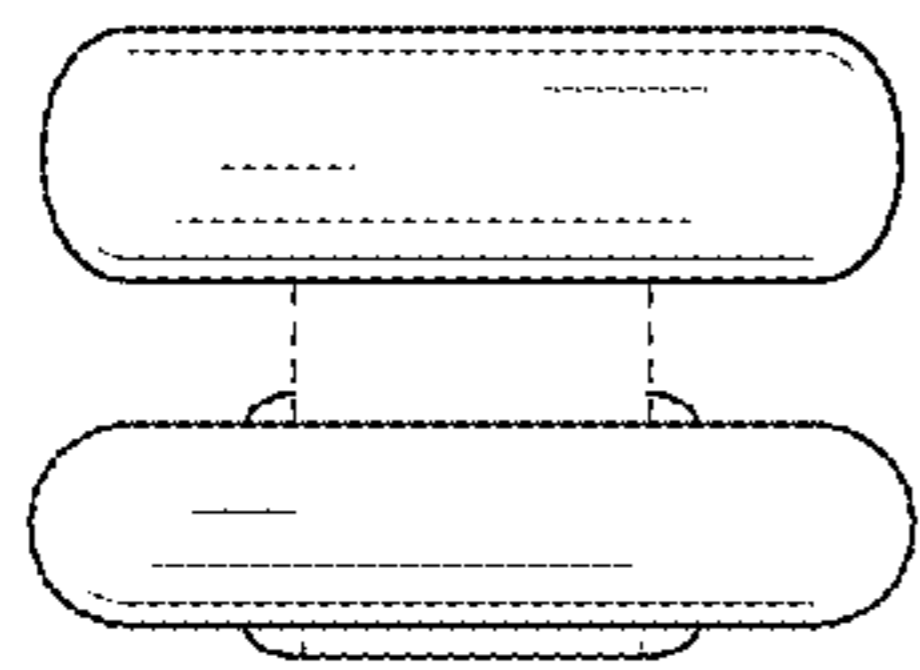


FIG. 5

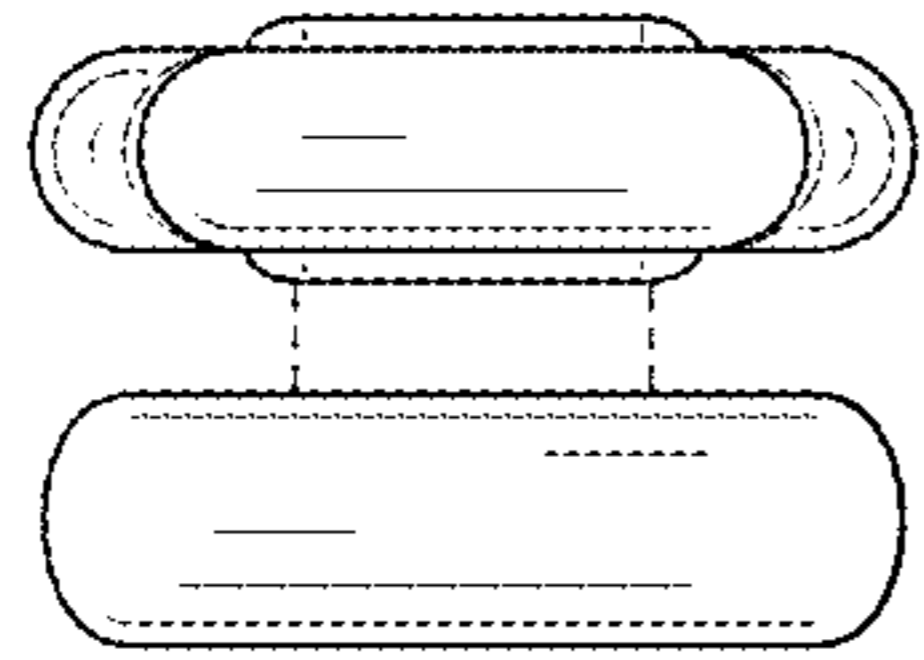


FIG. 6

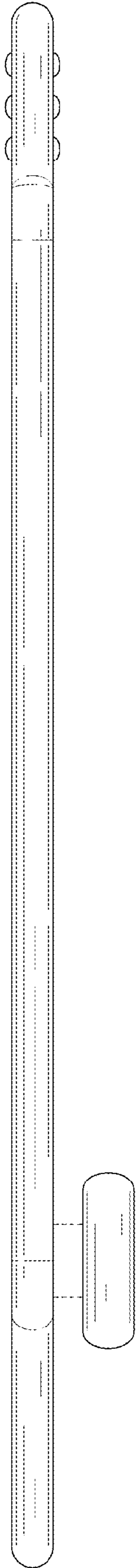


FIG. 7

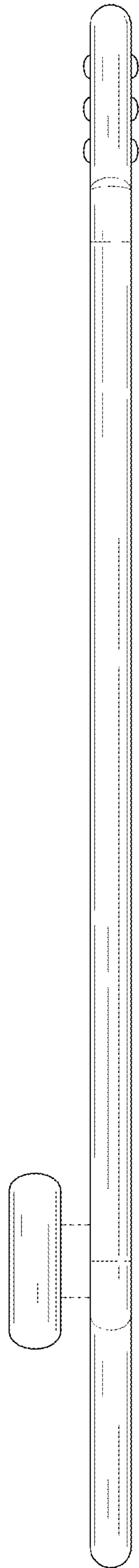


FIG. 8