



US00D968935S

(12) **United States Design Patent** (10) **Patent No.:** **US D968,935 S**  
**Roberts** (45) **Date of Patent:** **\*\* Nov. 8, 2022**

(54) **CABLE HOLDER**  
(71) Applicant: **James Christopher Roberts**, St Martin (JE)  
(72) Inventor: **James Christopher Roberts**, St Martin (JE)  
(73) Assignee: **Flashbay Electronics Hong Kong Limited**, Hong Kong (HK)  
(\*\*) Term: **15 Years**  
(21) Appl. No.: **29/732,475**  
(22) Filed: **Apr. 24, 2020**  
(51) **LOC (13) Cl.** ..... **09-06**  
(52) **U.S. Cl.**  
USPC ..... **D8/356**  
(58) **Field of Classification Search**  
USPC ..... D8/356, 354, 349, 394; D13/155, 154, D13/147; 248/68.1  
CPC ..... B63B 59/02; B63B 21/045; H02G 7/12  
See application file for complete search history.

6,405,414 B1 \* 6/2002 Byrnes ..... B60R 22/023 24/198  
6,449,810 B1 \* 9/2002 Kuwayama ..... A44C 11/005 24/115 G  
D494,450 S \* 8/2004 Schultz ..... D8/356  
D534,065 S \* 12/2006 Andre ..... D14/205  
D577,990 S \* 10/2008 Andre ..... D14/205  
7,484,539 B1 \* 2/2009 Huang ..... D03D 3/02 139/384 R  
D625,985 S \* 10/2010 Mori ..... H02G 3/32 D8/356  
D629,803 S \* 12/2010 St. Ives ..... D14/396  
D648,685 S \* 11/2011 Symons ..... D13/155  
D655,598 S \* 3/2012 Hsu ..... D8/356  
D679,581 S \* 4/2013 Liu ..... D8/395  
D684,122 S \* 6/2013 Strater ..... D13/153  
D684,846 S \* 6/2013 DePhillips ..... D8/356  
8,602,370 B2 \* 12/2013 McKenzie ..... A47G 25/1464 248/215

(Continued)

*Primary Examiner* — Cynthia R Underwood

(57) **CLAIM**

The ornamental design for a cable holder device, as shown and described.

**DESCRIPTION**

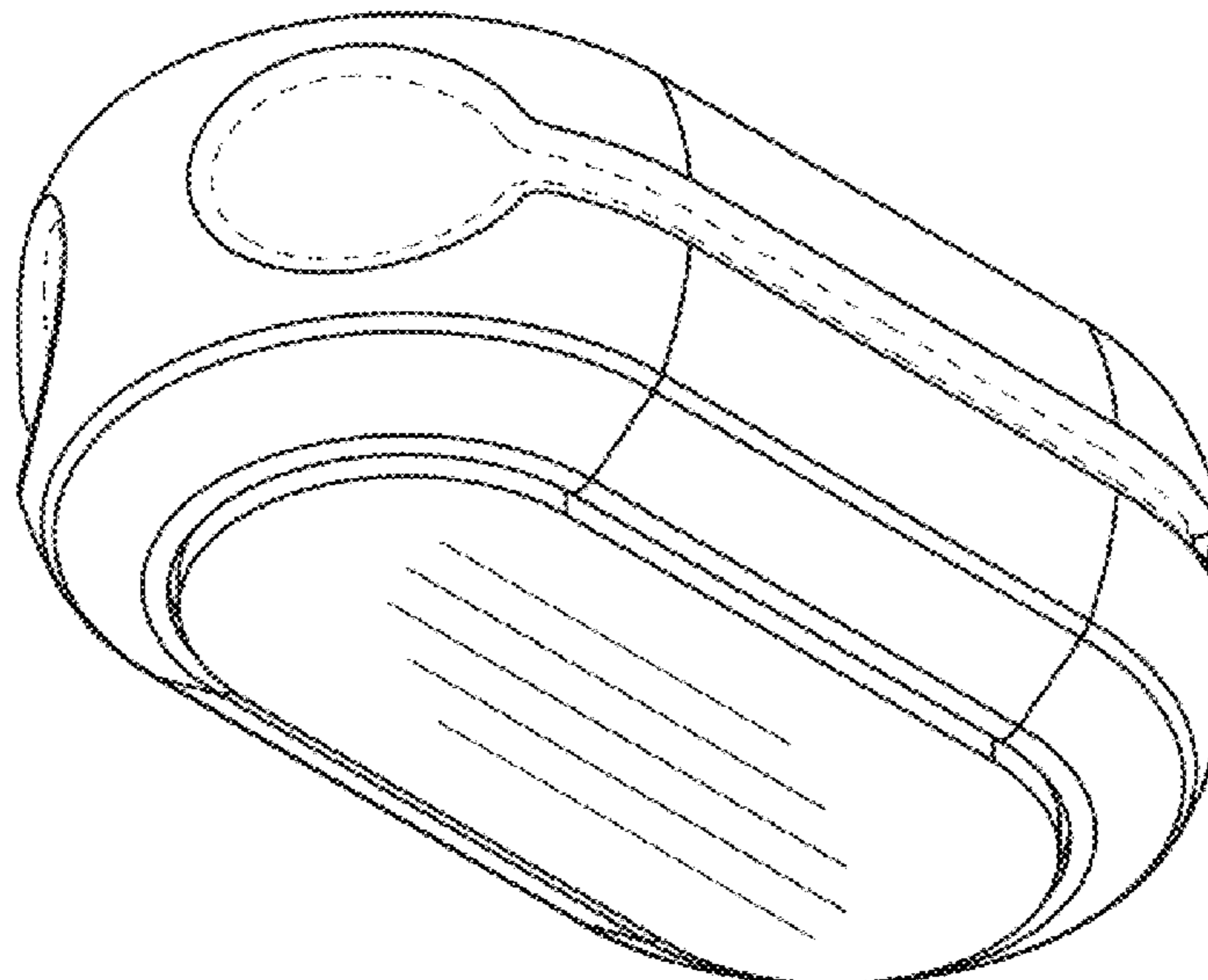
FIG. 1 is a top view of the cable holder.  
FIG. 2 is a bottom view of the cable holder.  
FIG. 3 is a left side view of the cable holder, the right side being the mirror image thereof.  
FIG. 4 is a front view of the cable holder, the rear being the mirror image thereof.  
FIG. 5 is a front, top, right side perspective of the cable holder; and,  
FIG. 6 is a front, bottom, left side perspective of the cable holder.  
The portions of the cable holder shown in broken lines form no part of the claimed design.

**1 Claim, 1 Drawing Sheet**

(56) **References Cited**

**U.S. PATENT DOCUMENTS**

577,220 A \* 2/1897 Whitehead ..... B25J 1/04 15/144.3  
3,056,309 A \* 10/1962 Horste ..... B62D 55/211 305/204  
3,953,640 A \* 4/1976 Takada ..... B60R 21/18 428/188  
4,048,399 A \* 9/1977 Terzaghi ..... H01M 4/765 429/141  
D372,420 S \* 8/1996 Mendez ..... D8/356  
5,913,641 A \* 6/1999 Long ..... E21D 11/006 405/302.2  
6,189,186 B1 \* 2/2001 Boden ..... F16G 11/14 24/115 H  
6,392,882 B1 \* 5/2002 Chen ..... G06F 1/1626 345/205



(56)

**References Cited**

U.S. PATENT DOCUMENTS

D698,229 S \* 1/2014 Chance ..... D8/360.1  
D707,107 S \* 6/2014 Crouse ..... D8/356  
D708,052 S \* 7/2014 Symons ..... D8/394  
D709,359 S \* 7/2014 Symons ..... D8/396  
D713,713 S \* 9/2014 Symons ..... D8/396  
D720,606 S \* 1/2015 Mathews ..... D8/356  
8,925,158 B2 \* 1/2015 Fried ..... B65D 33/1633  
24/115 G  
D728,351 S \* 5/2015 Martinson ..... D8/373  
D745,380 S \* 12/2015 Williams ..... D8/394  
D747,413 S \* 1/2016 Hoyt Drazen ..... D19/203  
D752,955 S \* 4/2016 Rowan ..... D8/356  
9,301,580 B1 \* 4/2016 Rafaelian ..... A44C 15/005  
D758,175 S \* 6/2016 Symons ..... D8/383  
D758,836 S \* 6/2016 Symons ..... D8/383  
D758,837 S \* 6/2016 Symons ..... D8/383  
D758,838 S \* 6/2016 Symons ..... D8/383  
D762,588 S \* 8/2016 Chin ..... D13/155  
D763,671 S \* 8/2016 Sizelove ..... D8/394  
9,468,283 B2 \* 10/2016 Meillan ..... F16G 11/103  
D775,937 S \* 1/2017 Davis ..... D8/356  
D786,048 S \* 5/2017 Grewal ..... F16G 11/14  
D8/356

D881,823 S \* 4/2020 Clowes ..... D13/155  
D886,993 S \* 6/2020 Dwyer ..... D24/128  
D887,993 S \* 6/2020 DeCastro, Jr. .... D13/155  
D895,569 S \* 9/2020 Roberts ..... D14/223  
D938,263 S \* 12/2021 Miao ..... D8/356  
D939,937 S \* 1/2022 Chou ..... D8/356  
D954,535 S \* 6/2022 Roberts ..... D8/356  
2003/0037416 A1 \* 2/2003 Buettell ..... G09F 21/02  
24/122.6  
2005/0230143 A1 \* 10/2005 Simmons ..... B65H 75/36  
174/66  
2008/0121763 A1 \* 5/2008 Mori ..... H02G 3/32  
248/68.1  
2012/0057740 A1 \* 3/2012 Rosal ..... H04R 25/65  
381/380  
2013/0017011 A1 \* 1/2013 Miron ..... F16G 11/046  
403/52  
2014/0360771 A1 \* 12/2014 Itani ..... H05K 9/0098  
174/354  
2015/0027778 A1 \* 1/2015 Murao ..... B60R 16/0215  
174/72 A  
2016/0015296 A1 \* 1/2016 Garaycochea .... A61M 16/0672  
600/531

\* cited by examiner

FIG.1

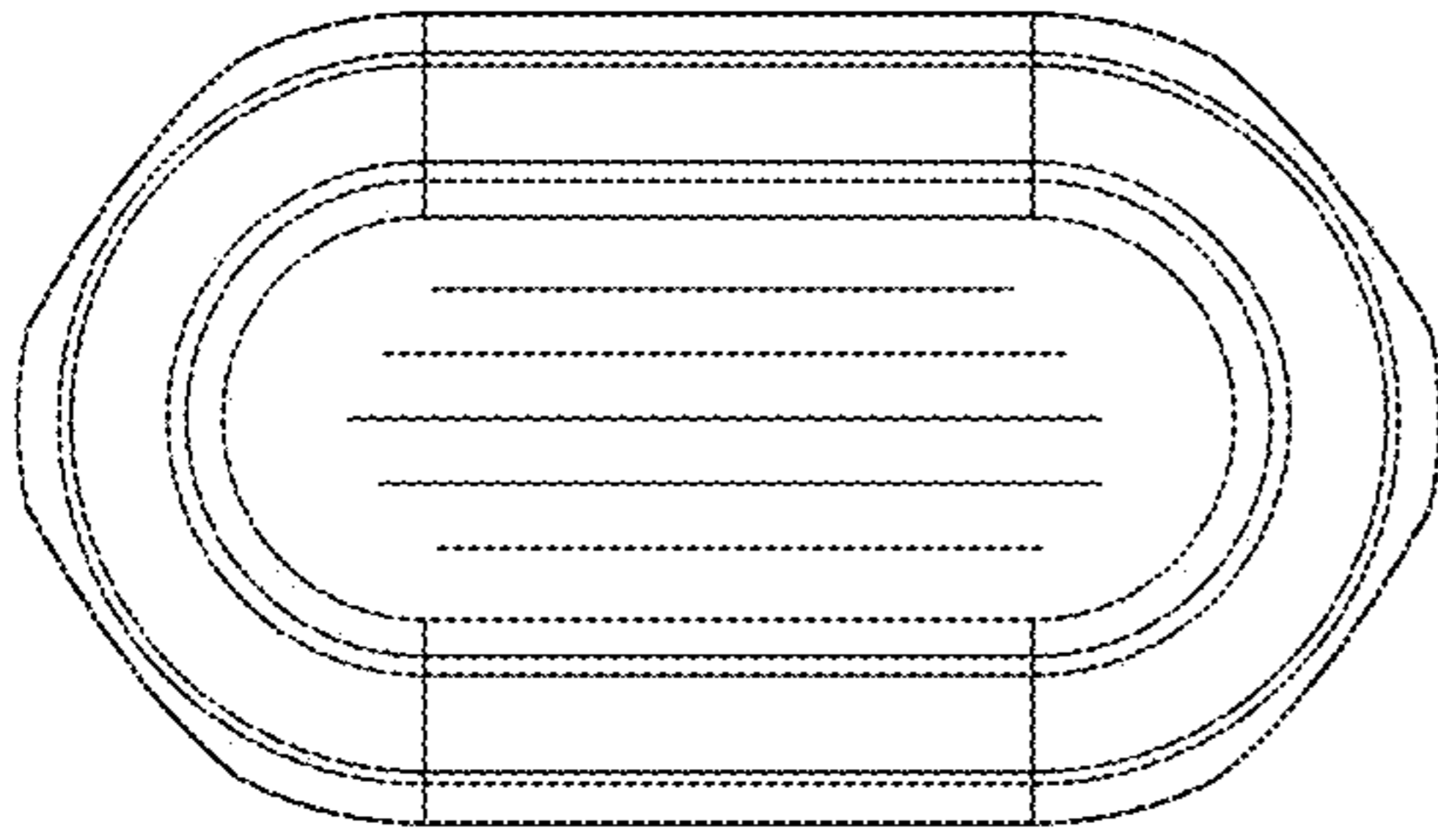


FIG.2

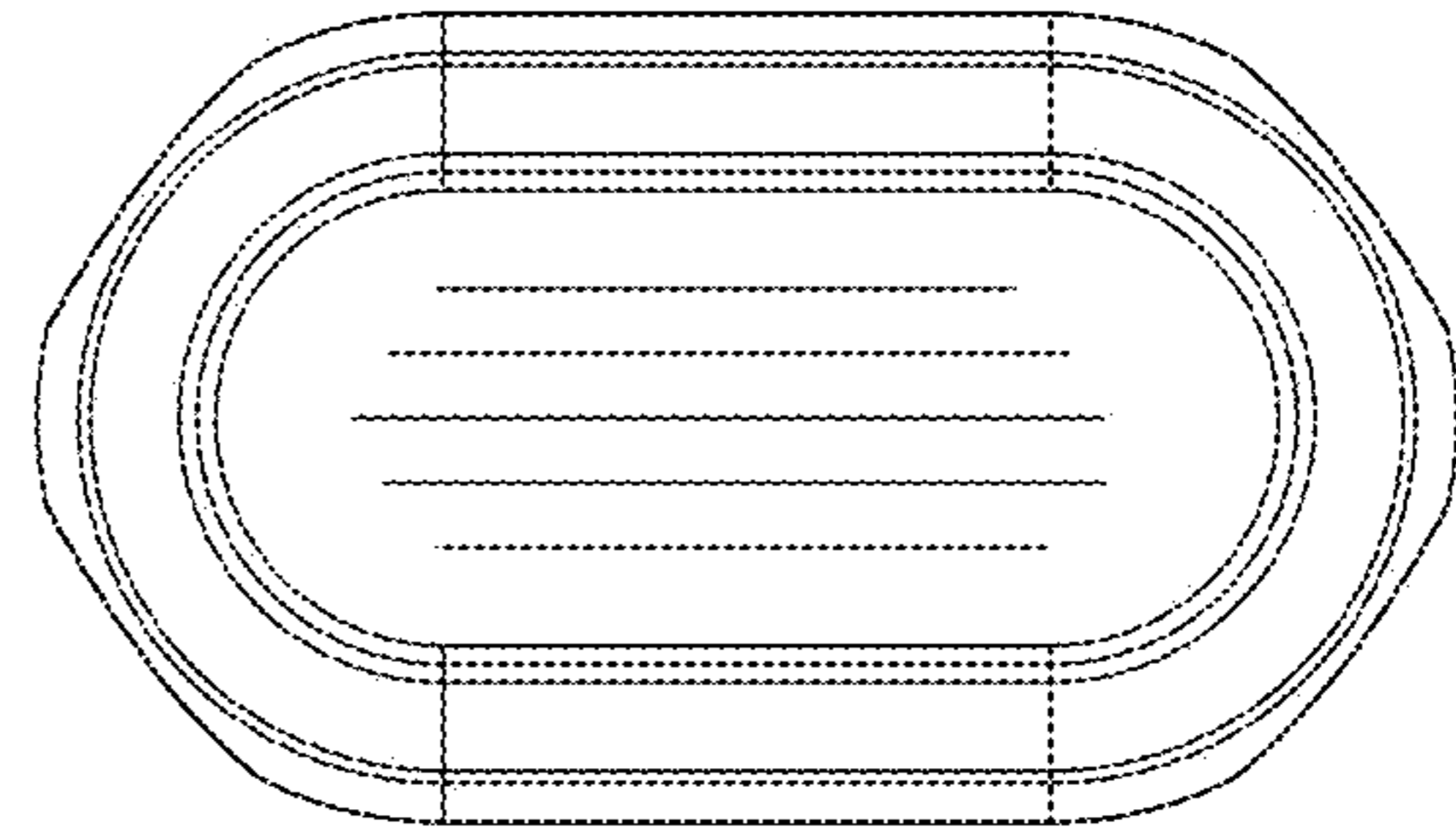


FIG.3

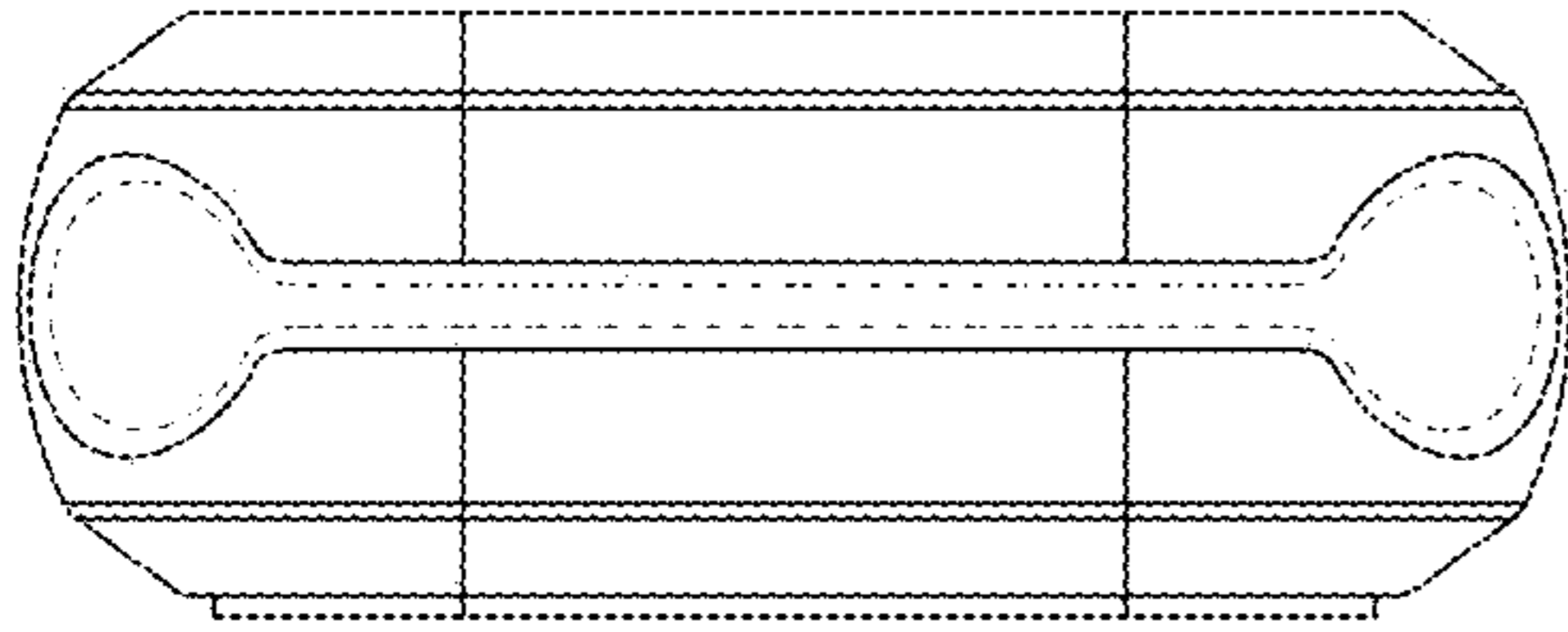


FIG.4

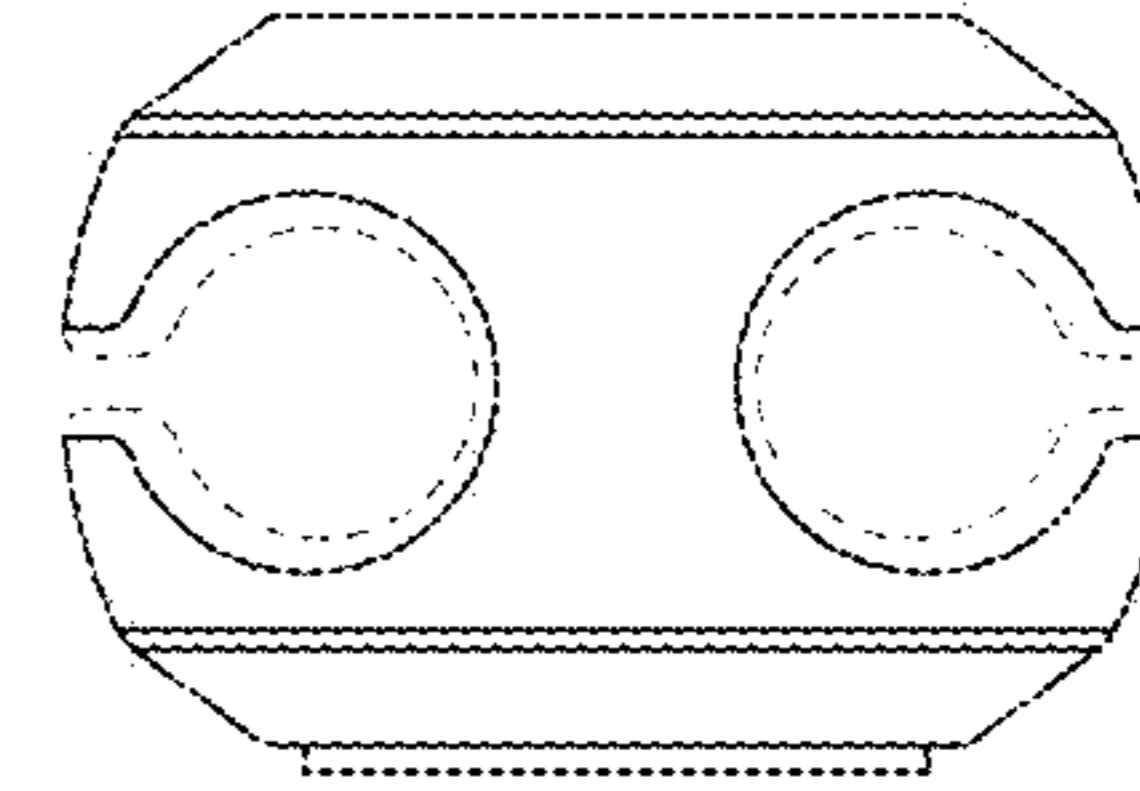


FIG.5

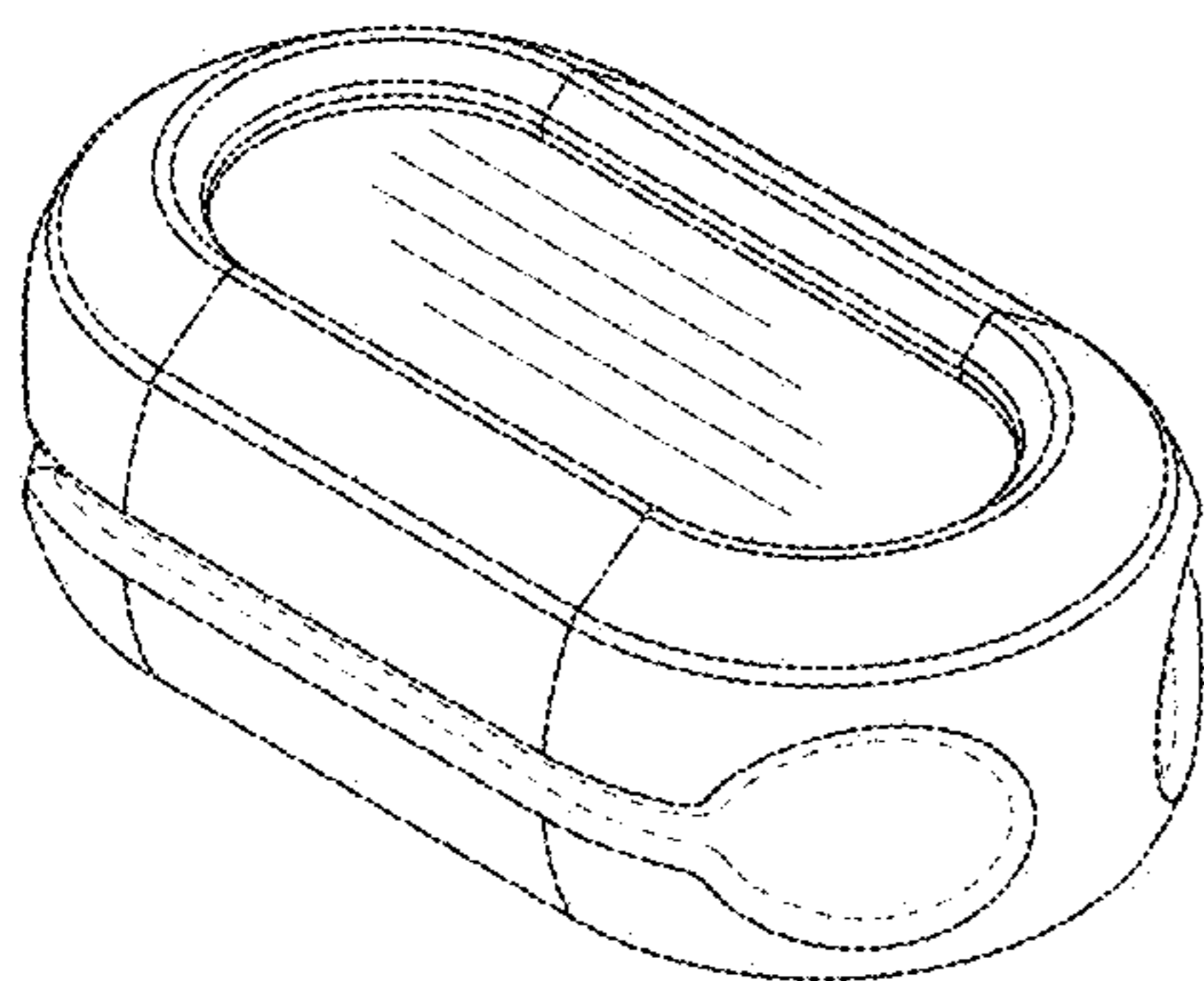


FIG.6

