



US00D968932S

(12) **United States Design Patent** (10) **Patent No.:** **US D968,932 S**
DeDios-Shirley et al. (45) **Date of Patent:** **** Nov. 8, 2022**

- (54) **MOUNTING APPARATUS**
- (71) Applicants: **Relina Belen DeDios-Shirley**, Reno, NV (US); **Charles Edward Shirley**, Reno, NV (US)
- (72) Inventors: **Relina Belen DeDios-Shirley**, Reno, NV (US); **Charles Edward Shirley**, Reno, NV (US)
- (73) Assignee: **HIDEit Mounts, Inc.**, Reno, NV (US)
- (**) Term: **15 Years**
- (21) Appl. No.: **29/719,929**
- (22) Filed: **Jan. 8, 2020**
- (51) **LOC (13) Cl.** **08-05**
- (52) **U.S. Cl.**
USPC **D8/354**
CPC **F16B 45/00** (2013.01)
- (58) **Field of Classification Search**
USPC D8/354, 349, 373, 380, 382, 387;
D20/42; D25/68, 133
CPC H01R 13/6675; H01R 13/73; H01R 24/62;
H01R 12/716; F16B 45/00; F16M 13/00;
H02J 7/0045
See application file for complete search history.

(56) **References Cited**

U.S. PATENT DOCUMENTS

D32,388 S *	3/1900	Wallace	D8/373
D257,948 S *	1/1981	Klingensmith	D6/526
D422,483 S *	4/2000	Shea	D8/354
D487,693 S *	3/2004	Moen	D8/363
D536,957 S *	2/2007	Reiff	D8/394
D732,373 S *	6/2015	Wagner	D8/349
D765,492 S *	9/2016	Akers	D8/354

D767,973 S *	10/2016	DeDios-Shirley	D8/349
D789,184 S *	6/2017	Stanley	D8/363
D820,665 S *	6/2018	DeDios-Shirley	D8/354
D854,400 S *	7/2019	Haley	D8/354
D866,298 S *	11/2019	Kanter	D8/354
D877,595 S *	3/2020	Harrison	D8/331
D877,603 S *	3/2020	Barker	D8/394
D880,980 S *	4/2020	Harrison	D8/331
D883,073 S *	5/2020	Jaramillo	D8/354
D902,016 S *	11/2020	Yehishalom	D8/354
D904,171 S *	12/2020	Ochi	D8/354
D905,537 S *	12/2020	Marsden	D8/354
D912,829 S *	3/2021	Hood	D24/183
2019/0250661 A1 *	8/2019	Shirley	F16M 11/00

* cited by examiner

Primary Examiner — Richard E Chilcot

(57) **CLAIM**

The ornamental design for a mounting apparatus, as shown and described.

DESCRIPTION

FIG. 1 is a perspective view of the mounting apparatus showing our new design;
 FIG. 2 is a front elevational view of the mounting apparatus shown in FIG. 1;
 FIG. 3 is a back elevational view of the mounting apparatus shown in FIG. 1;
 FIG. 4 is a top plan view of the mounting apparatus showing in FIG. 1;
 FIG. 5 is a bottom plan view view of the mounting apparatus shown in FIG. 1;
 FIG. 6 is a right side elevational view view of the mounting apparatus shown in FIG. 1; and,
 FIG. 7 is a left side elevational view view of the mounting apparatus shown in FIG. 1.

1 Claim, 4 Drawing Sheets

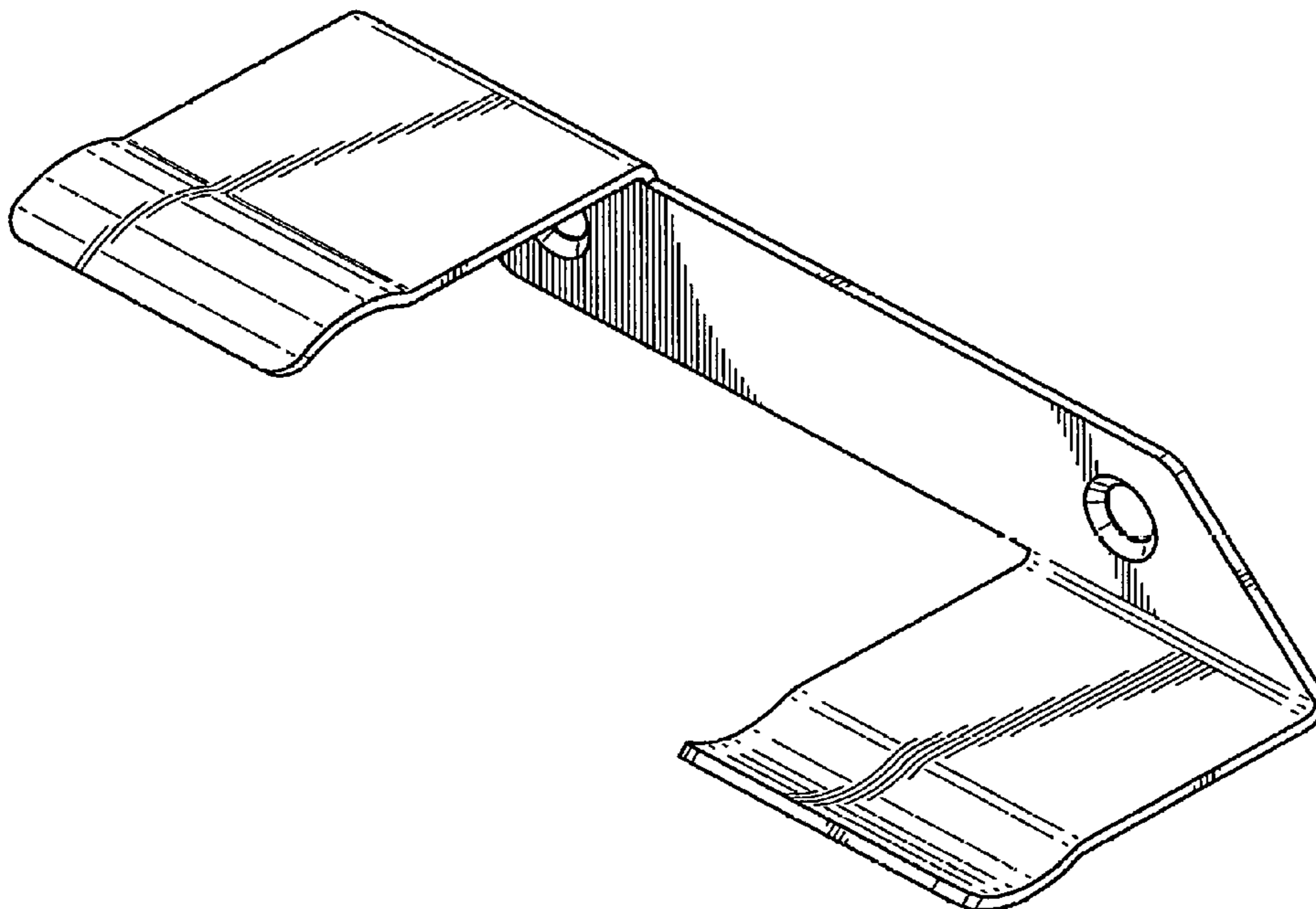


FIG. 1

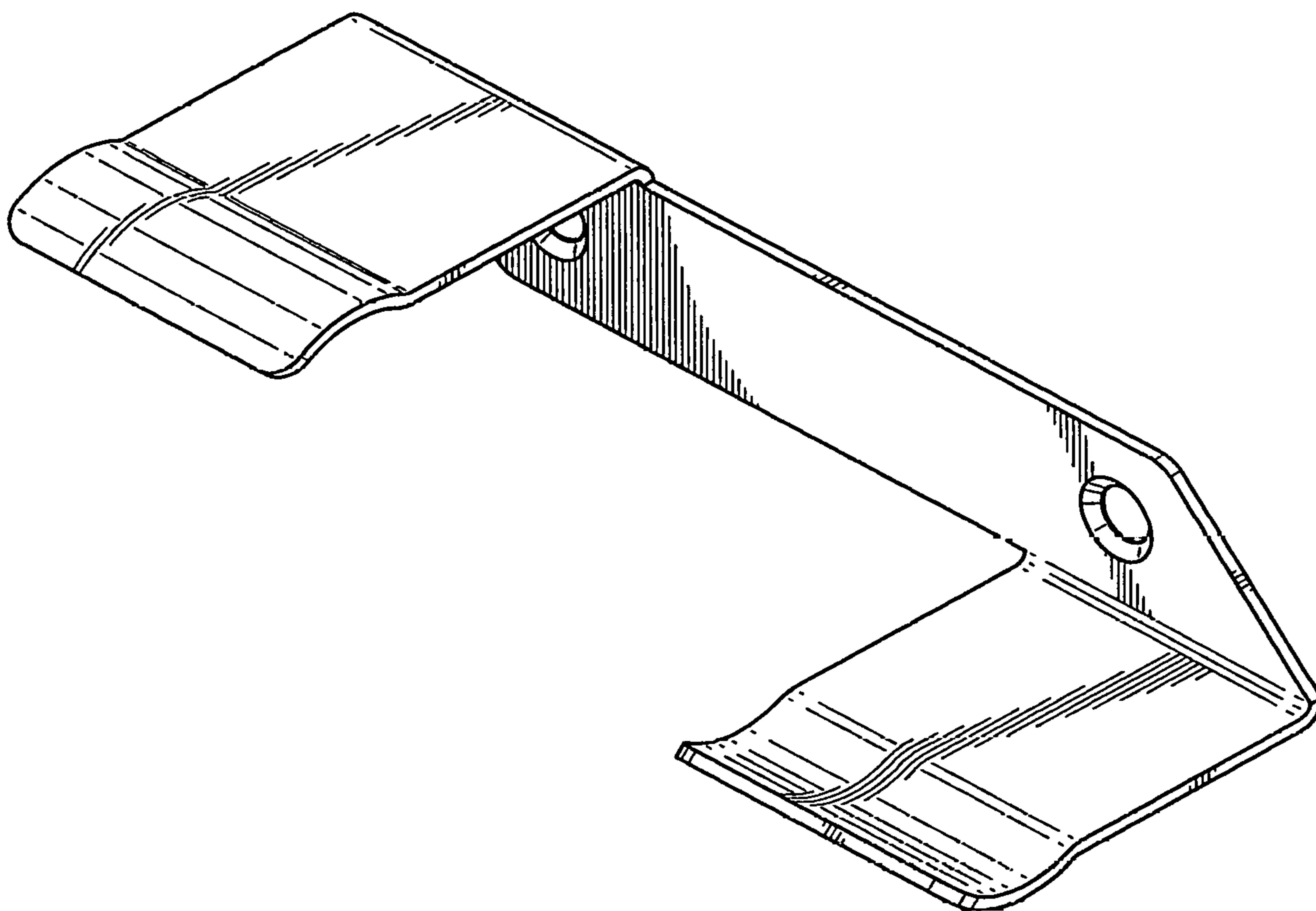


FIG. 2

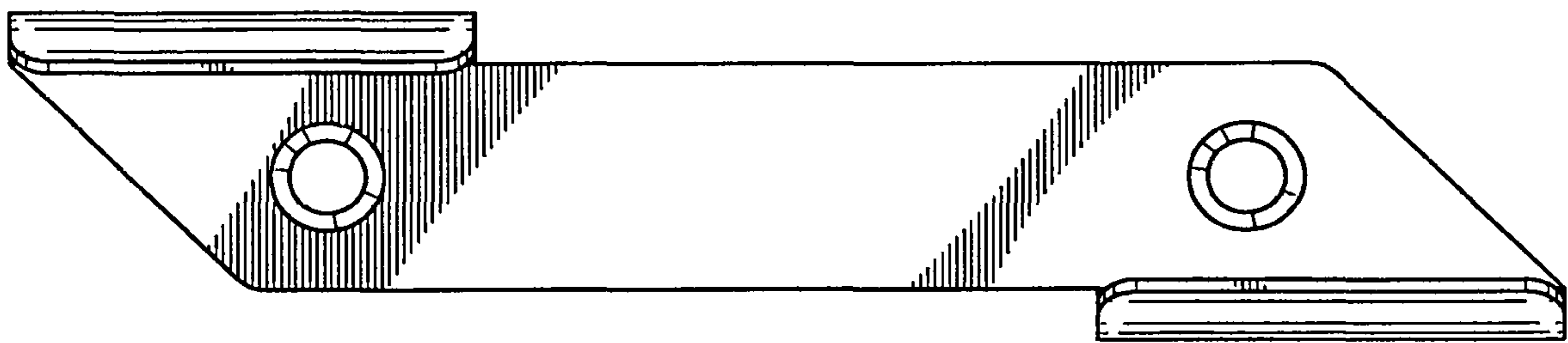


FIG. 3

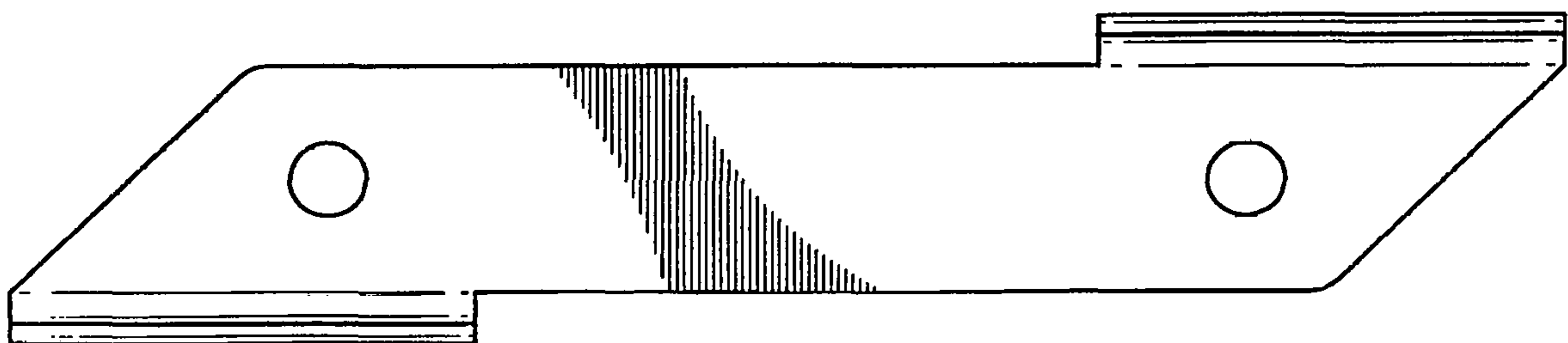


FIG. 4



FIG. 5

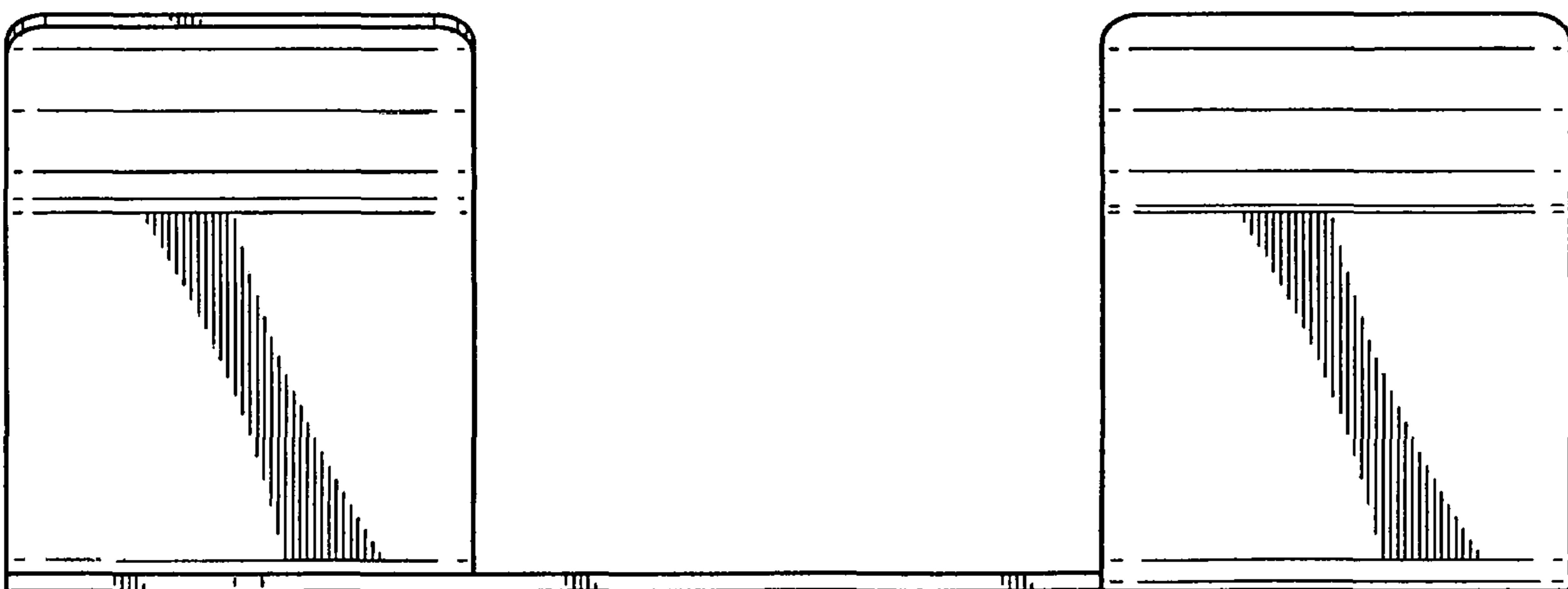


FIG. 6

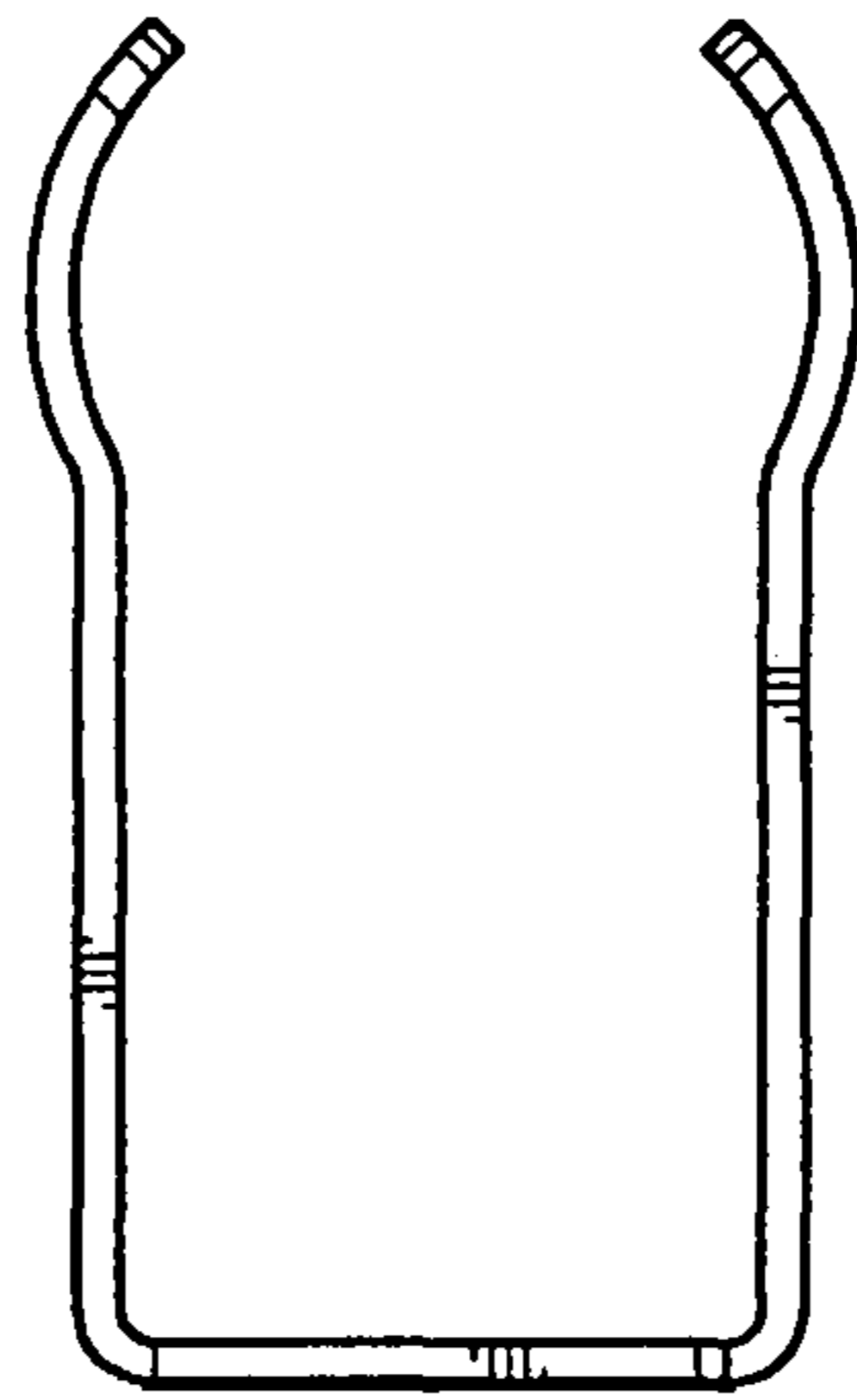


FIG. 7

