



US00D968931S

(12) **United States Design Patent** (10) **Patent No.:** **US D968,931 S**  
**Barron** (45) **Date of Patent:** **\*\* Nov. 8, 2022**

(54) **BRACKET WITH REMOVABLE SUPPORT MEMBERS**

(71) Applicant: **Van Murphy Bed LLC**, Chelsea, MI (US)

(72) Inventor: **Norman Theodore Barron**, Ann Arbor, MI (US)

(73) Assignee: **VAN MURPHY BED LLC**, Chelsea, MI (US)

(\*\*) Term: **15 Years**

(21) Appl. No.: **29/772,839**

(22) Filed: **Mar. 4, 2021**

(51) **LOC (13) Cl.** ..... **08-08**

(52) **U.S. Cl.**  
USPC ..... **D8/349**; D8/355

(58) **Field of Classification Search**  
USPC ..... D6/513, 362, 574, 572, 566; D8/349, D8/354, 355, 380, 373, 374; D12/317, D12/400, 406, 223, 425; 211/86.01, 13.1, 211/85.7, 87.01, 90.01, 134; 108/42, 149, 108/127, 176.1, 200, 201, 235, 250, 248  
CPC .... F16M 1/00; F16M 13/02; F16M 2200/041; F24F 13/0254; F24F 13/32; H02G 3/263; B60R 11/00; B60R 2011/0003; B60R 2011/0082

See application file for complete search history.

(56) **References Cited**

**U.S. PATENT DOCUMENTS**

- 1,749,177 A \* 3/1930 Baxter ..... A47B 21/04 400/690.1
- D293,867 S \* 1/1988 Fayerman ..... D8/352
- D357,398 S \* 4/1995 Osbern ..... D8/349
- D376,093 S \* 12/1996 Whitaker ..... D8/349
- D390,091 S \* 2/1998 Munger ..... D8/355
- D764,895 S \* 8/2016 White ..... D15/28

- 9,599,164 B1 \* 3/2017 Rode ..... F16C 19/548
- D937,663 S \* 12/2021 Welander ..... D8/349
- 2004/0084920 A1 \* 5/2004 Trimble ..... B60R 11/02 296/37.8
- 2005/0194498 A1 \* 9/2005 Burns ..... F16M 13/02 248/121
- 2005/0196258 A1 \* 9/2005 Stabs ..... B60R 11/00 414/462
- 2005/0205725 A1 \* 9/2005 Yokouchi ..... F16M 11/2021 248/125.1
- 2006/0260045 A1 \* 11/2006 Stonier ..... A47C 17/46 5/164.1
- 2009/0146445 A1 \* 6/2009 Bernhardsson ..... B60R 11/00 296/37.14
- 2009/0255547 A1 \* 10/2009 Starks ..... A41G 3/00 132/54

(Continued)

*Primary Examiner* — Mark A Goodwin

(74) *Attorney, Agent, or Firm* — Mitchell Law PLLC; Matthew W. Mitchell

(57) **CLAIM**

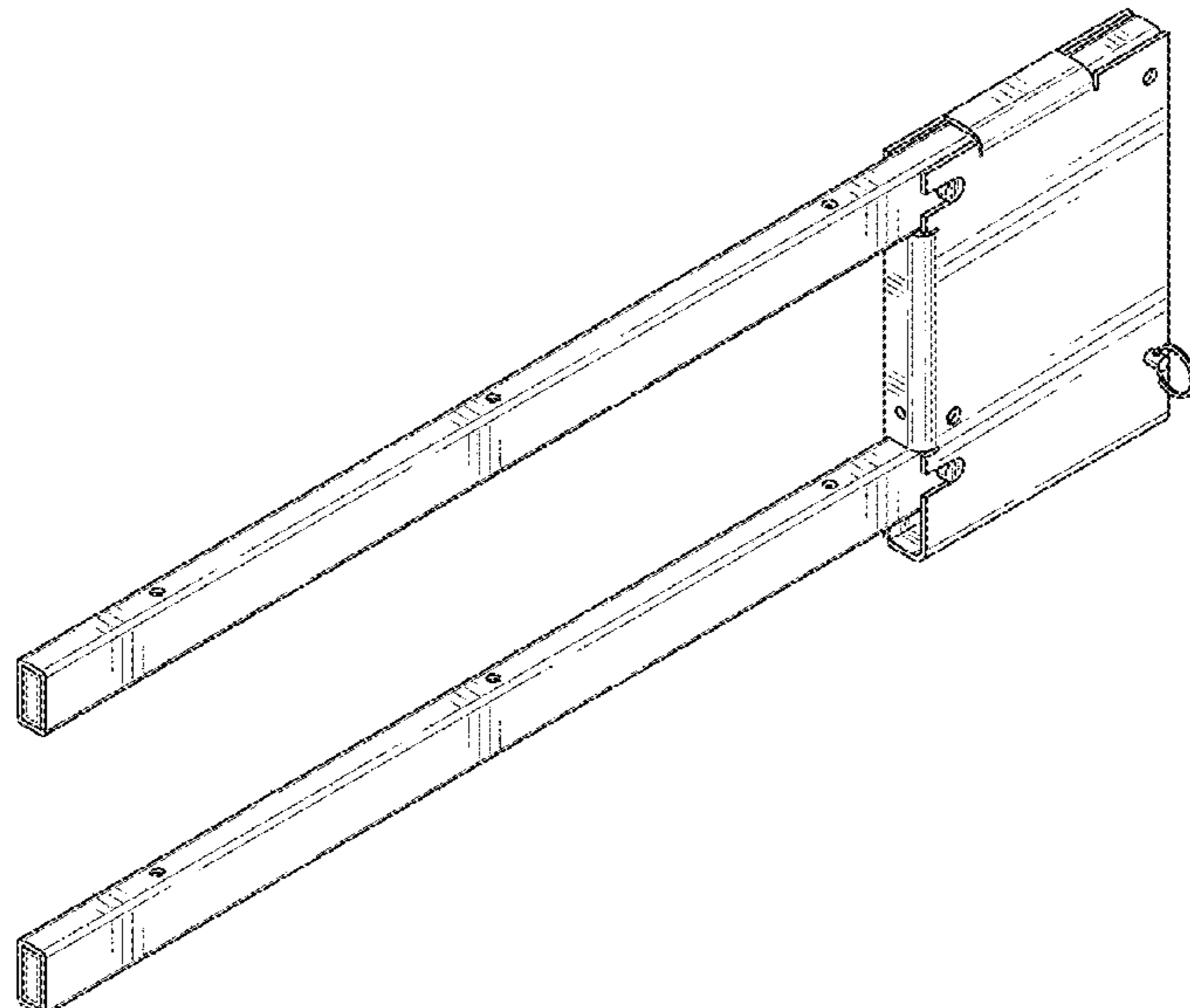
The ornamental design for a bracket with removable support members, as shown and described.

**DESCRIPTION**

FIG. 1 is a front isometric view of a bracket with removable support members showing my new design; FIG. 2 is rear isometric view thereof; FIG. 3 is another front isometric view thereof; FIG. 4 a rear view thereof; FIG. 5 is a front view thereof; FIG. 6 is a right-side view thereof; FIG. 7 is a left-side view thereof; FIG. 8 is a top plan view thereof; and, FIG. 9 is a bottom plan view thereof.

The broken lines represent boundaries to disclaim the interior of the removable elongated members and forms no part of the claimed design.

**1 Claim, 9 Drawing Sheets**



(56)

**References Cited**

U.S. PATENT DOCUMENTS

2012/0060279 A1\* 3/2012 Colombo ..... A47C 17/38  
5/167  
2015/0115009 A1\* 4/2015 Stauber ..... B60R 11/02  
224/275  
2016/0278532 A1\* 9/2016 Wilson ..... A47C 17/40  
2017/0305354 A1\* 10/2017 Kang ..... F16M 11/10  
2018/0042388 A1\* 2/2018 Rubano ..... A47C 17/48  
2018/0141499 A1\* 5/2018 Newman ..... B60R 11/0235

\* cited by examiner

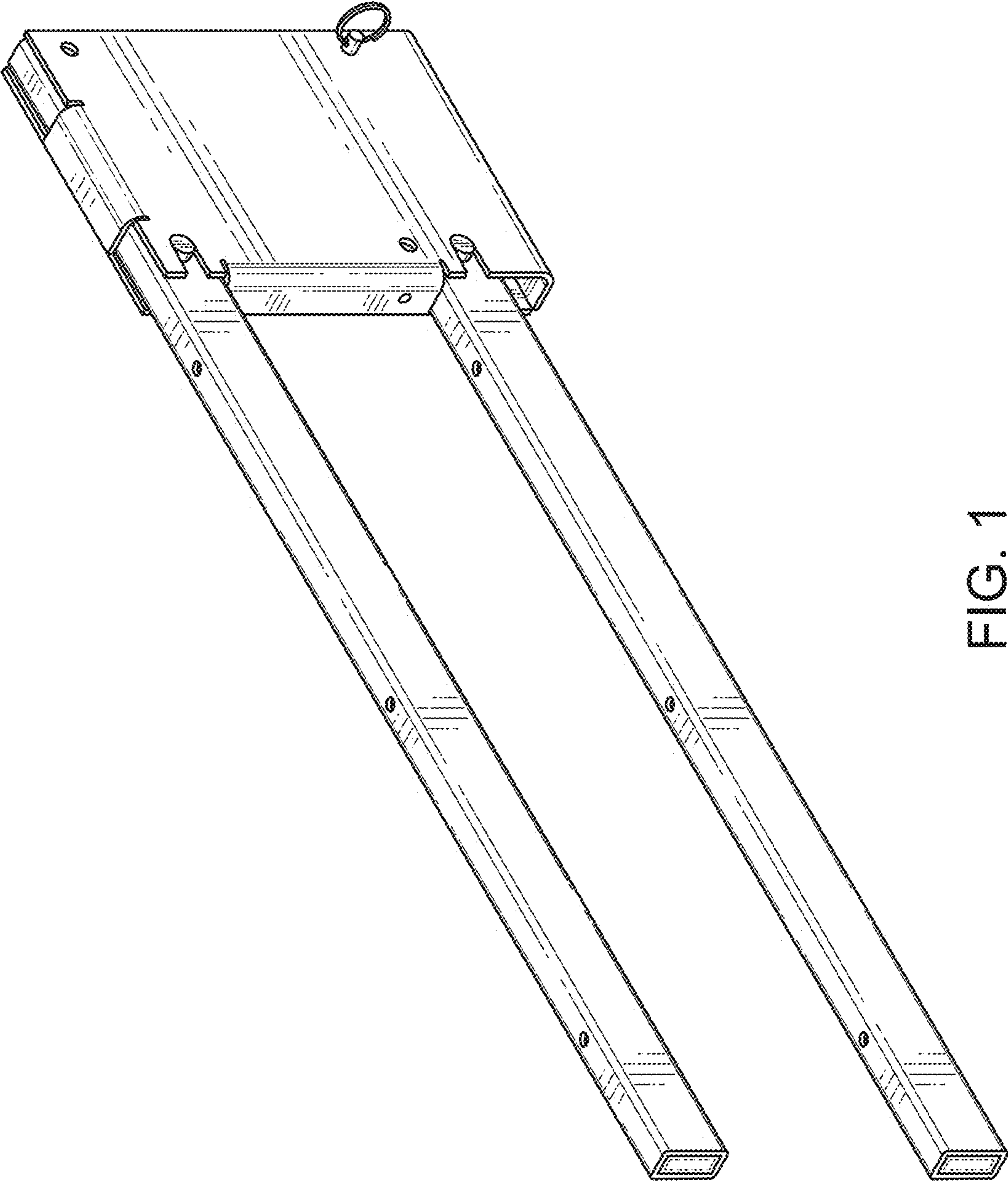


FIG. 1

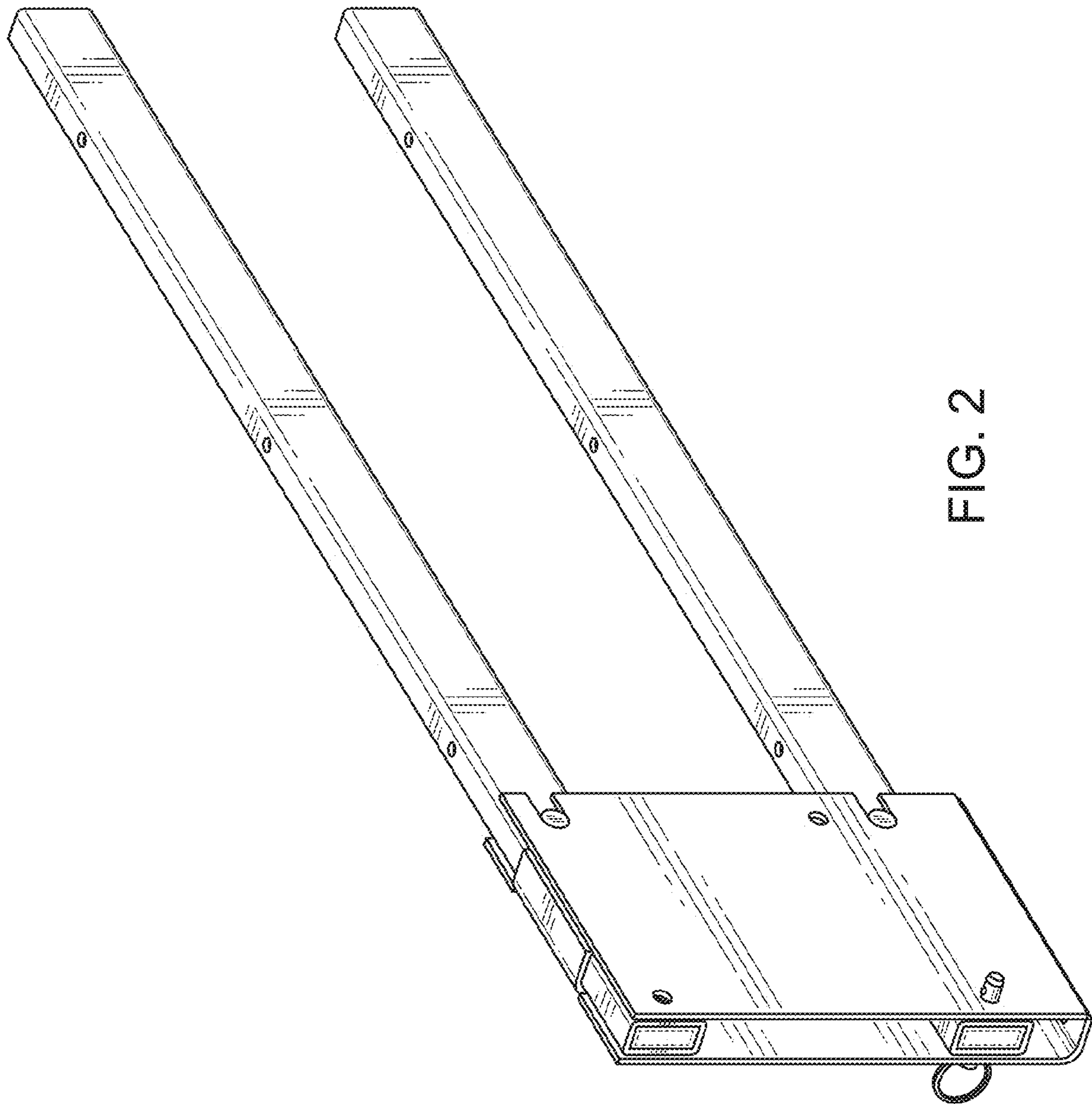


FIG. 2

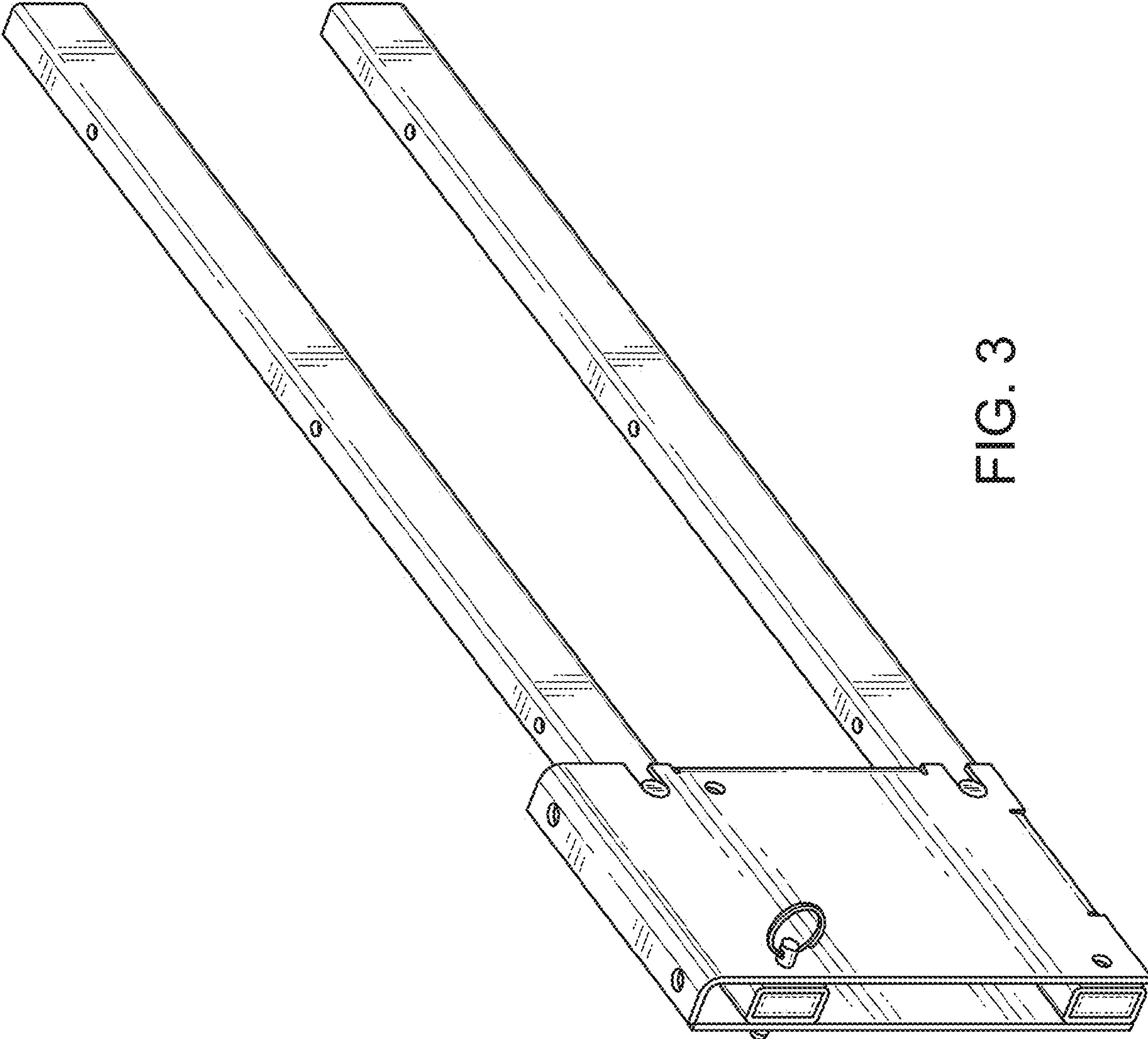


FIG. 3

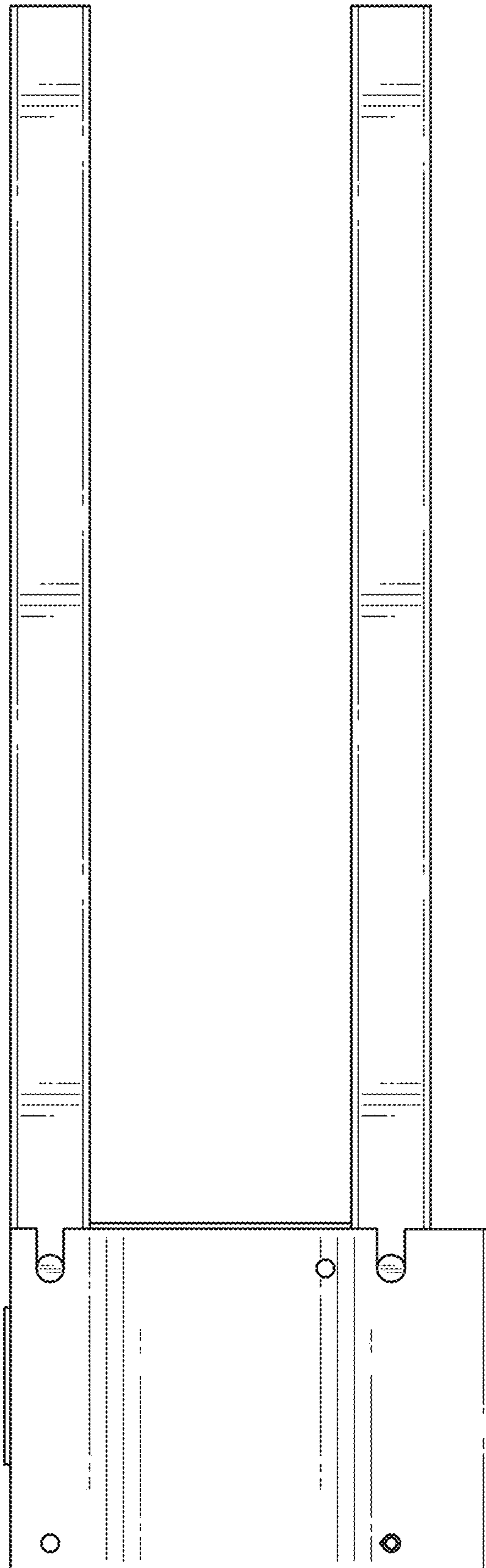


FIG. 4

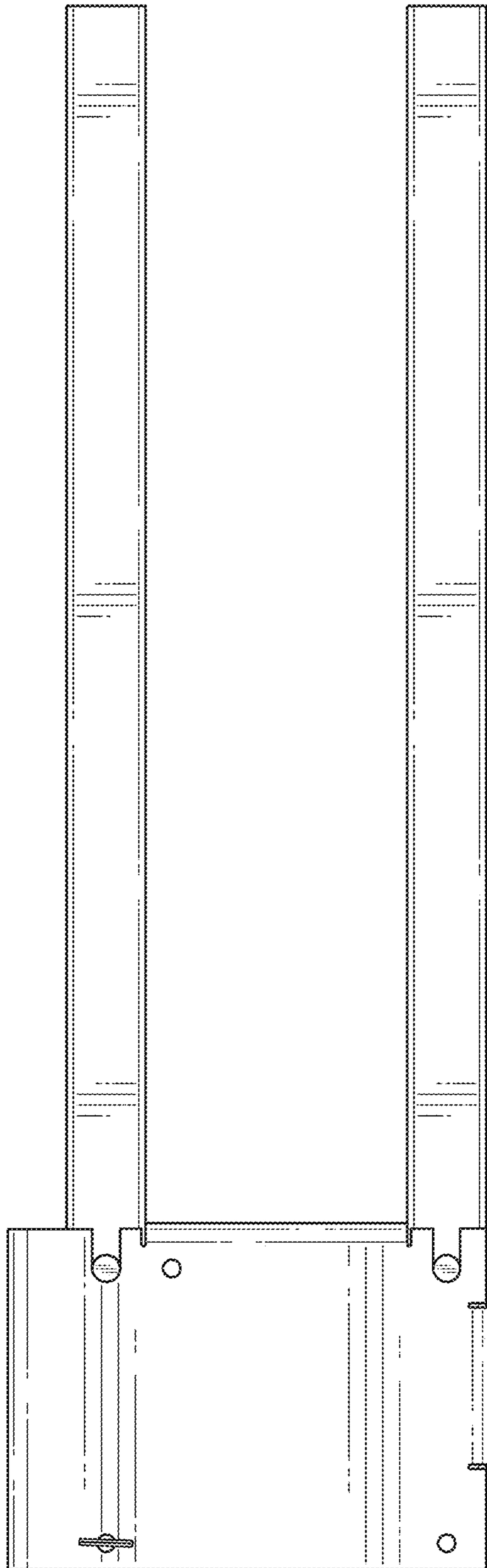


FIG. 5

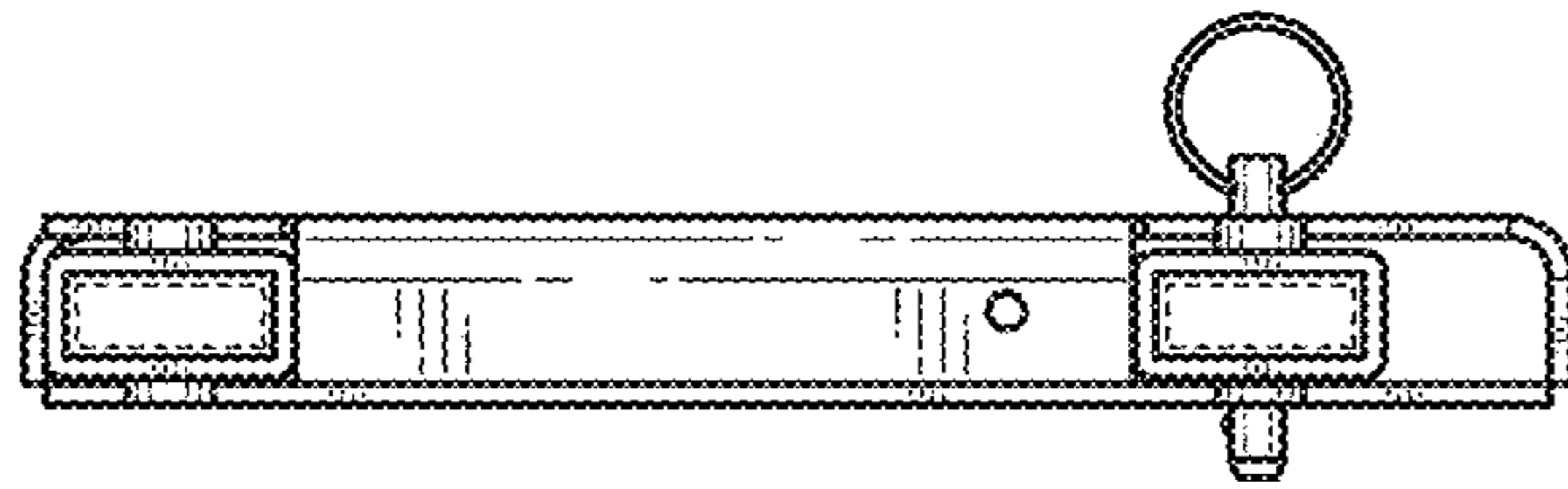


FIG. 6



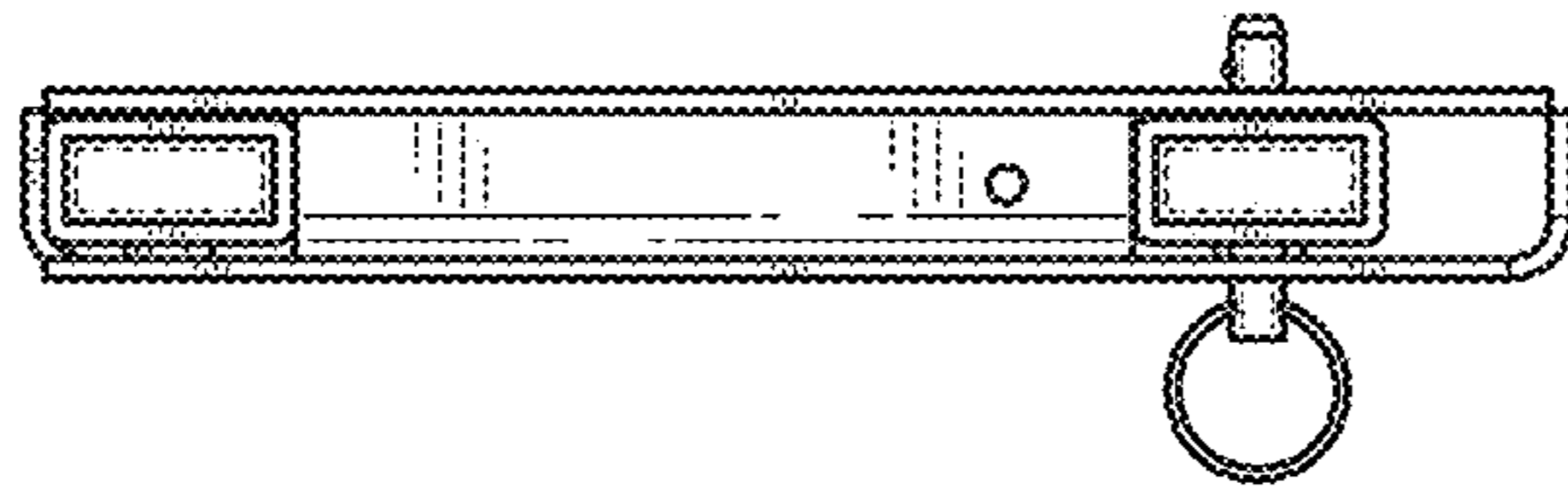


FIG. 7

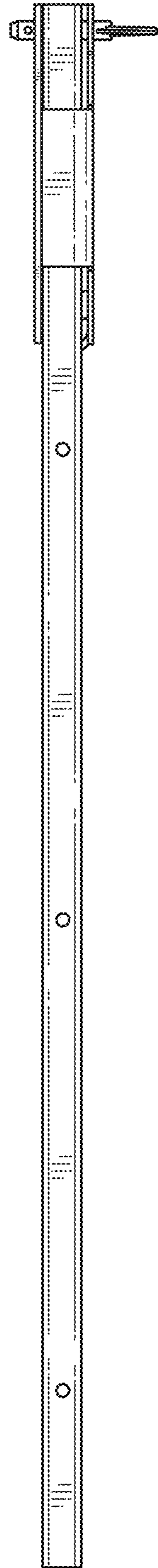


FIG. 8

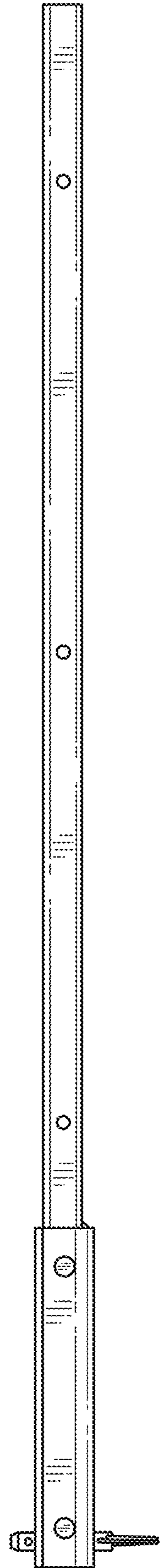


FIG. 9