



US00D968927S

(12) **United States Design Patent**
Mantell et al.

(10) **Patent No.:** **US D968,927 S**

(45) **Date of Patent:** **** Nov. 8, 2022**

(54) **ATTACHMENT FOR A TRUCK BOX**

D564,437 S * 3/2008 Moore D12/414.1
D578,373 S * 10/2008 Paige D8/321
7,451,525 B2 * 11/2008 Willems B65D 25/2841
16/419

(71) Applicant: **WERNER CO.**, Greenville, PA (US)

(72) Inventors: **Ryan A. Mantell**, Woodstock, IL (US);
Michael W. Bykowski, Lindenhurst, IL
(US); **Brian Winland**, Foothill Ranch,
CA (US); **Kai Chen**, Foothill Ranch,
CA (US)

(Continued)

Primary Examiner — Susan E Krakower

Assistant Examiner — Jerry Shiu-an-Hua Hsu

(74) *Attorney, Agent, or Firm* — McDonnell Boehnen
Hulbert & Berghoff LLP

(73) Assignees: **WERNER CO.**, Greenville, PA (US);
RYADON INC., Foothill Ranch, CA
(US)

(57) **CLAIM**

The ornamental design for an attachment for a truck box, as
shown and described.

(**) Term: **15 Years**

DESCRIPTION

(21) Appl. No.: **29/767,285**

FIG. 1 is a perspective view of a first embodiment of an
attachment for a truck box, showing our new design;
FIG. 2 is a front view thereof;
FIG. 3 is a rear view thereof;
FIG. 4 is a right side view thereof;
FIG. 5 is a left side view thereof;
FIG. 6 is a top view thereof;
FIG. 7 is a bottom view thereof;
FIG. 8 is a perspective view thereof, shown in a condition of
use on a truck box;
FIG. 9 is a perspective view of a second embodiment of an
attachment for a truck box;
FIG. 10 is a front view thereof;
FIG. 11 is a rear view thereof;
FIG. 12 is a right side view thereof;
FIG. 13 is a left side view thereof;
FIG. 14 is a top view thereof;
FIG. 15 is a bottom view thereof; and,
FIG. 16 is a perspective view thereof, shown in a condition
of use on a truck box.

(22) Filed: **Jan. 21, 2021**

(51) **LOC (13) Cl.** **08-06**

(52) **U.S. Cl.**

USPC **D8/306**

(58) **Field of Classification Search**

USPC D8/300, 301, 302, 303, 306, 313, 315,
D8/321, 331, 336, 337, 338, 350, 352;
D3/300, 315, 318-322, 324, 327, 328,
D3/329, 902, 903, 905; D12/400, 414.1,
D12/423

CPC ... A45C 13/26; B65D 25/2841; G11B 33/124
See application file for complete search history.

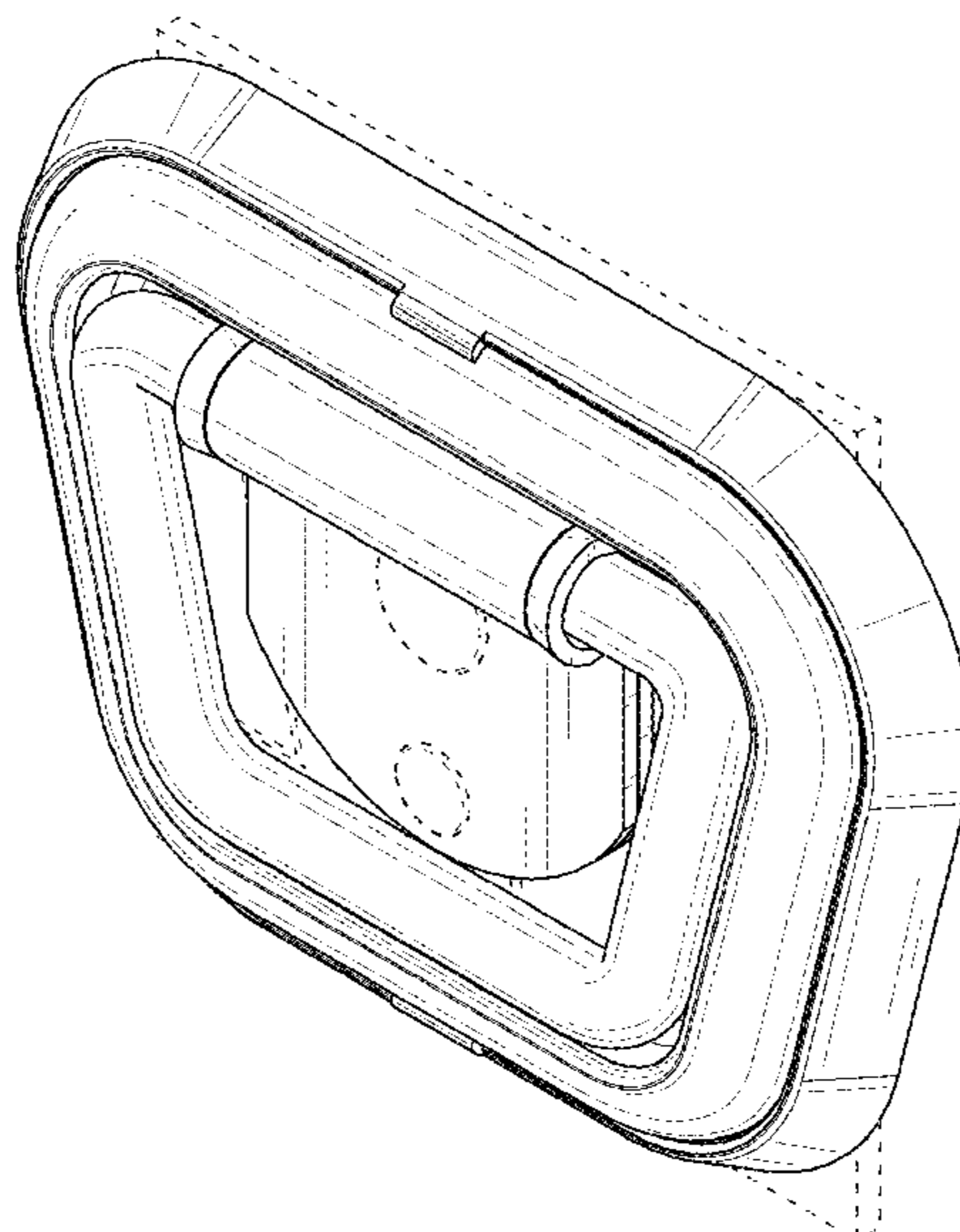
The broken lines showing a truck box in FIGS. 8 and 16
depict environmental subject matter which forms no part of
the claimed design. The broken lines within the claimed
structure illustrate portions of the attachment, which form no
part of the claimed design.

(56) **References Cited**

U.S. PATENT DOCUMENTS

D368,012 S * 3/1996 Dickinson D8/306
D373,989 S * 9/1996 Dickinson D12/414.1
D458,107 S * 6/2002 Dodge D8/301
6,397,436 B1 * 6/2002 Wang A45C 13/26
16/408
D469,678 S * 2/2003 Teskey D8/301
D530,094 S * 10/2006 Hagan D3/318

1 Claim, 16 Drawing Sheets



(56)

References Cited

U.S. PATENT DOCUMENTS

D625,574 S *	10/2010	Burns	D8/306
D720,595 S *	1/2015	Bertani	D8/306
D723,900 S *	3/2015	Bertani	D8/306
D739,702 S *	9/2015	Summers	D8/315
9,278,782 B2 *	3/2016	Fjelland	B65D 25/2841
D796,839 S *	9/2017	Milburn	D3/281
D933,447 S *	10/2021	Arthurs	D8/321
2013/0047380 A1 *	2/2013	Huang	G11B 33/124 16/429

* cited by examiner

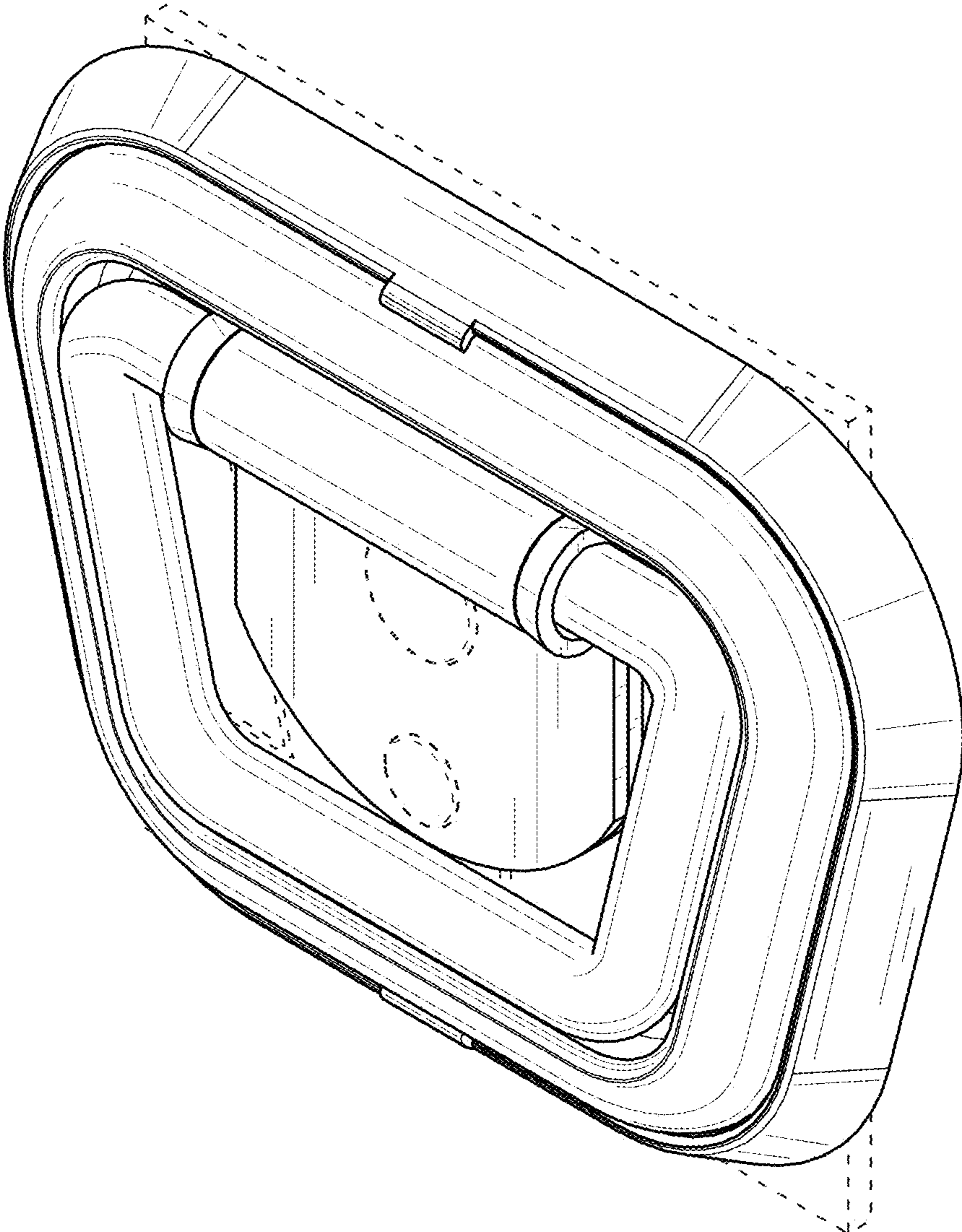


FIG. 1

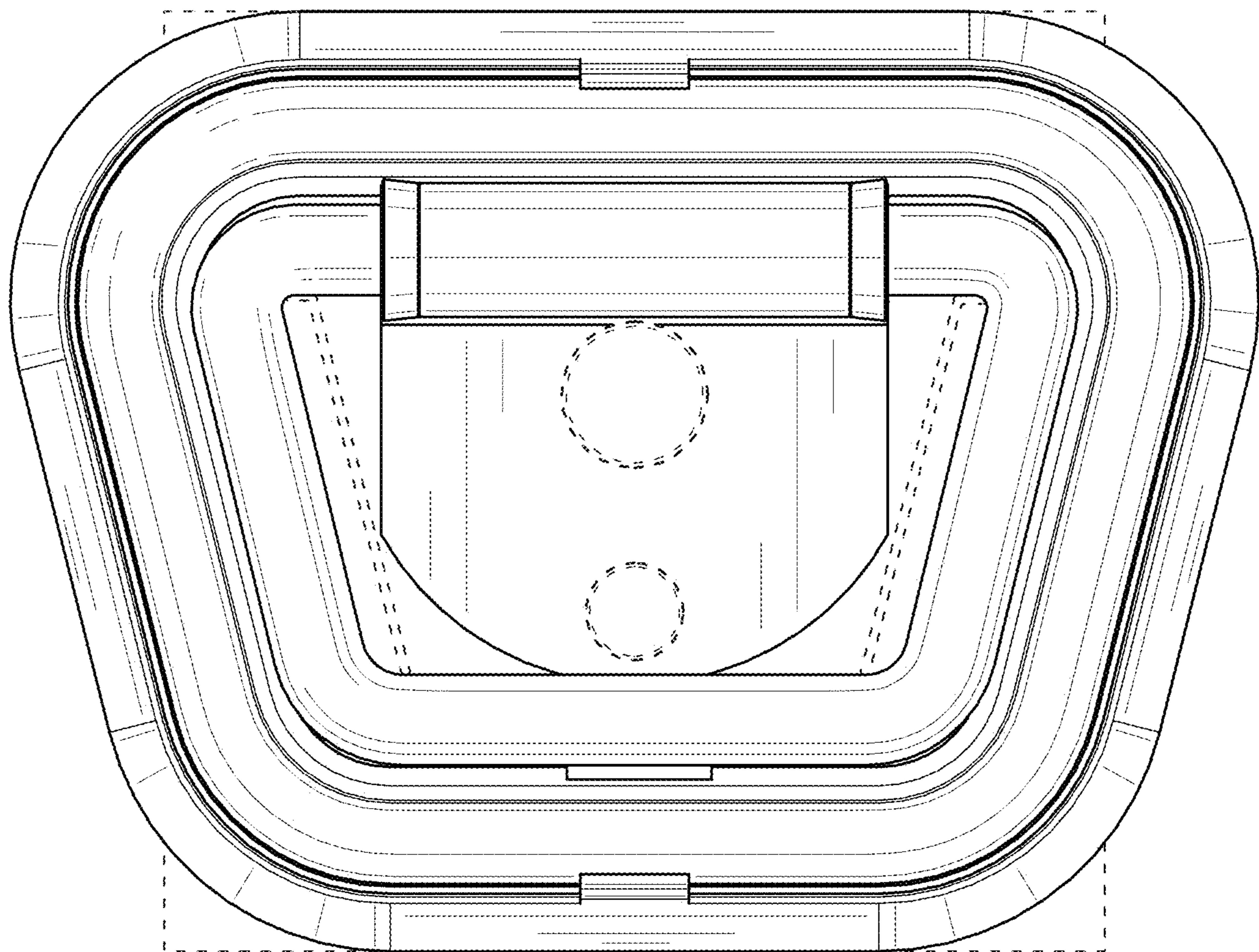


FIG. 2



FIG. 3

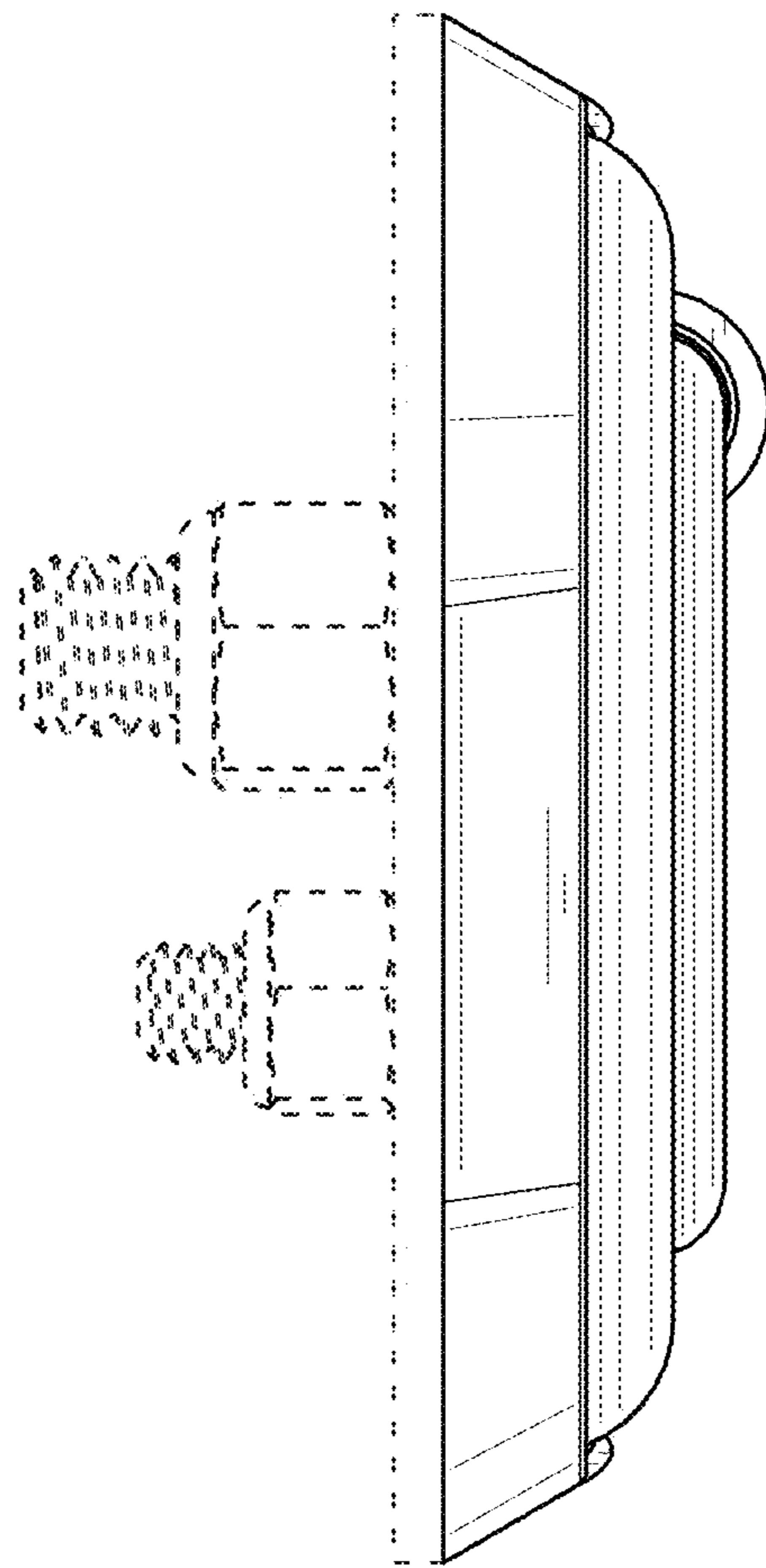


FIG. 4

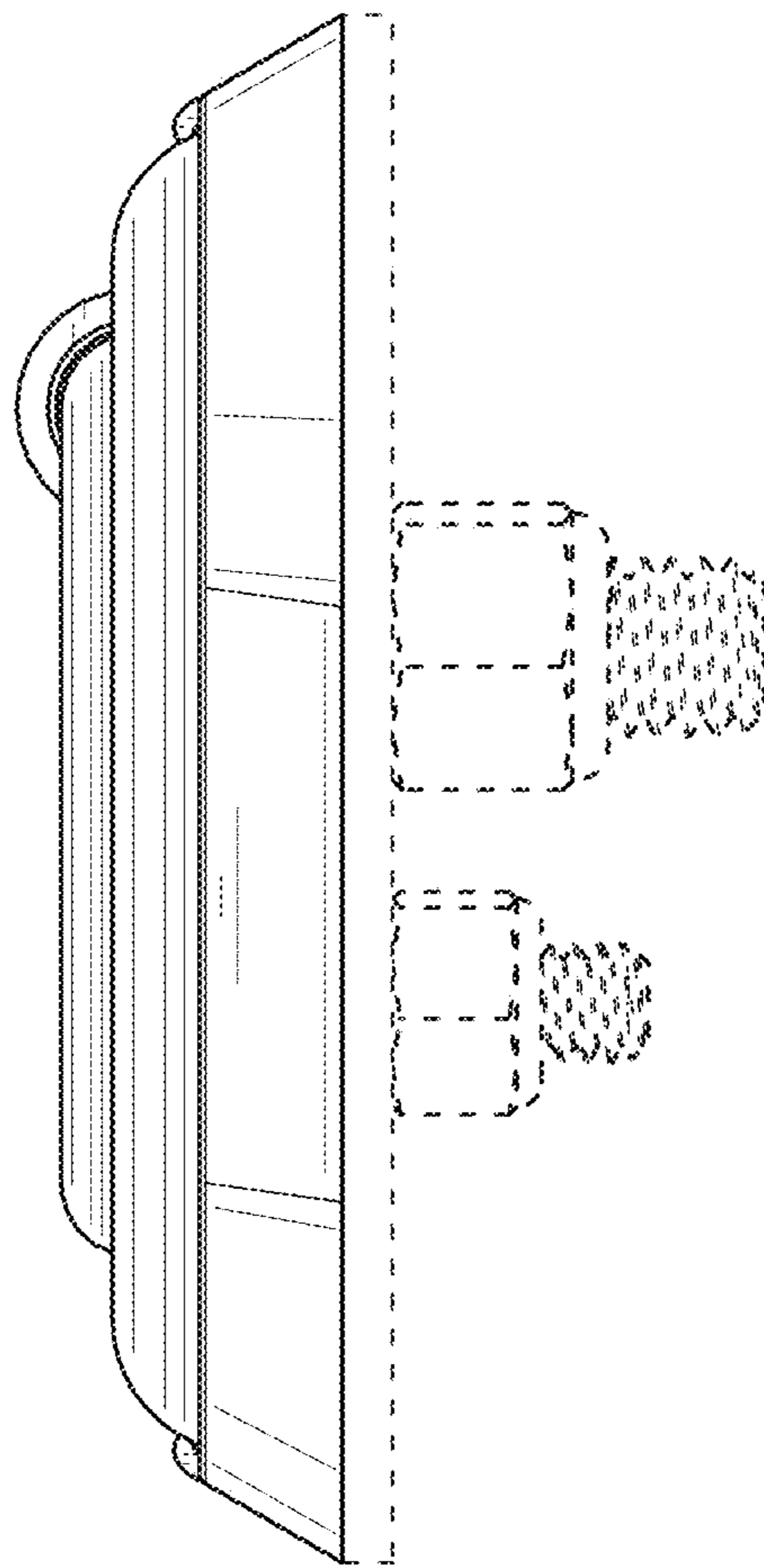


FIG. 5

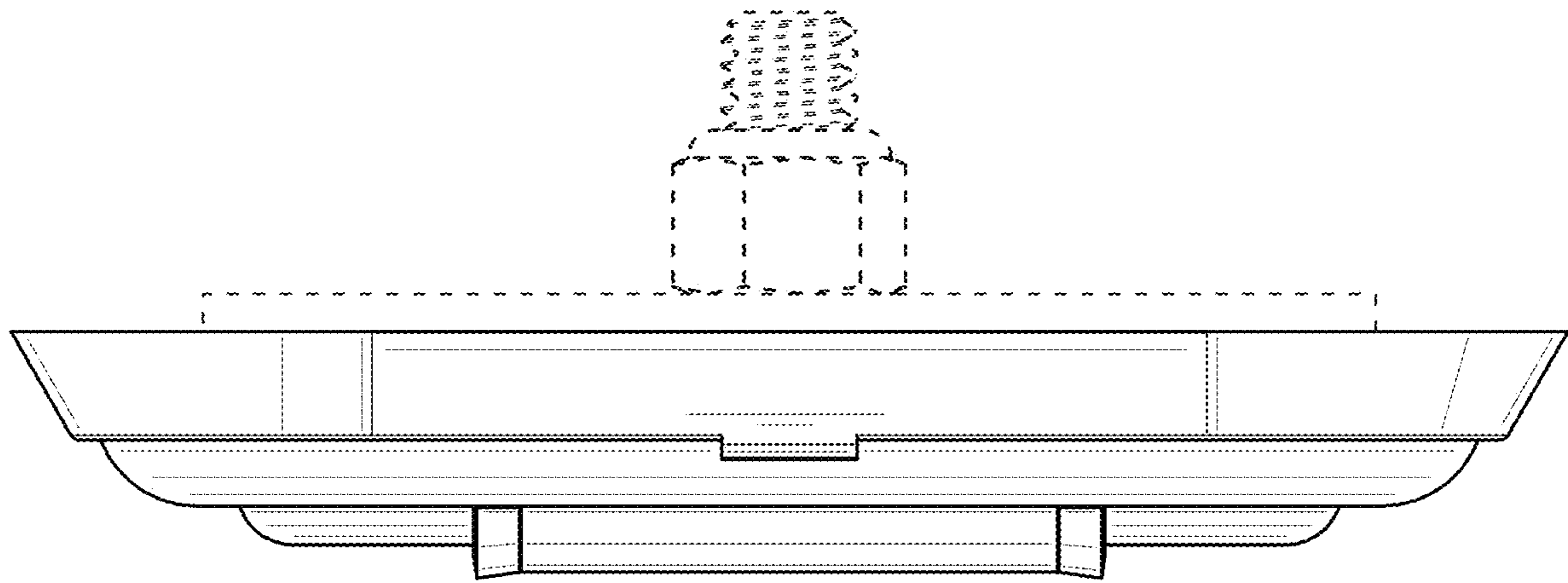


FIG. 6

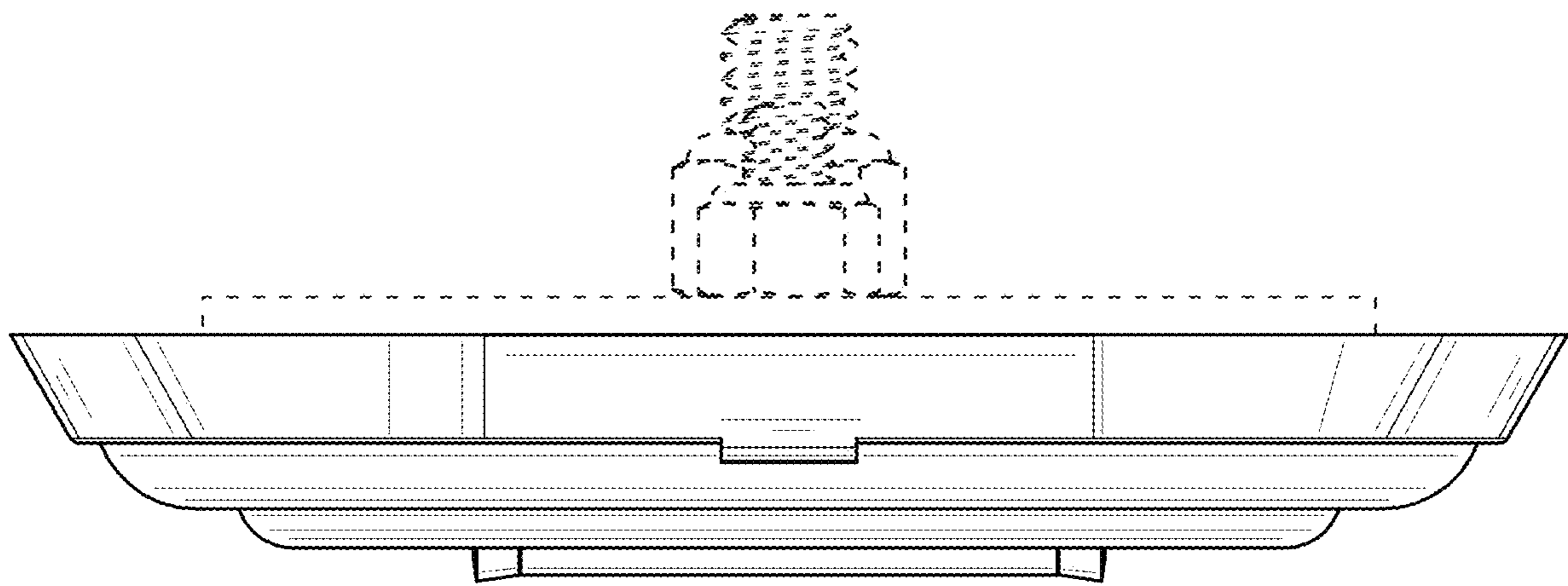


FIG. 7

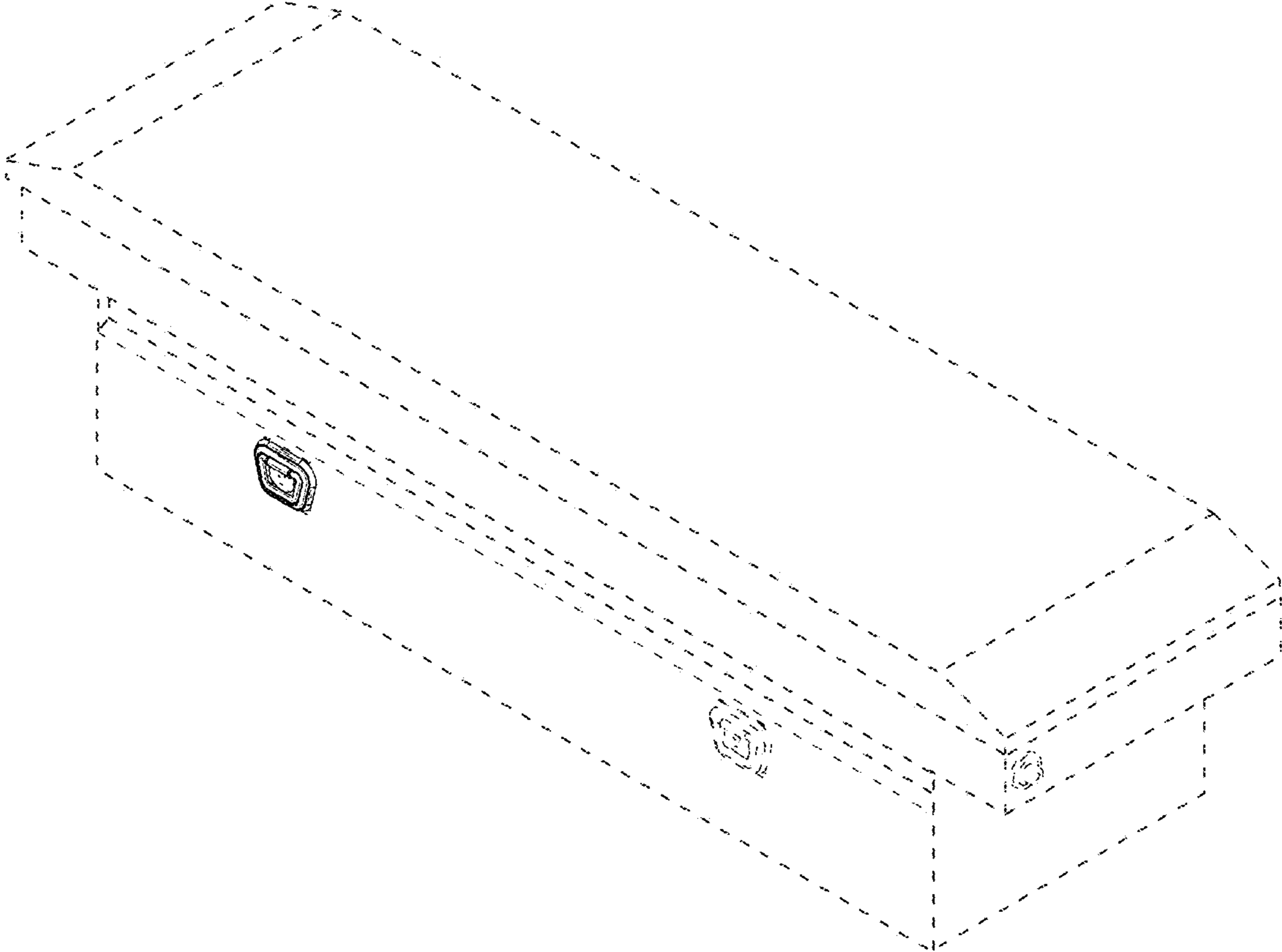


FIG. 8

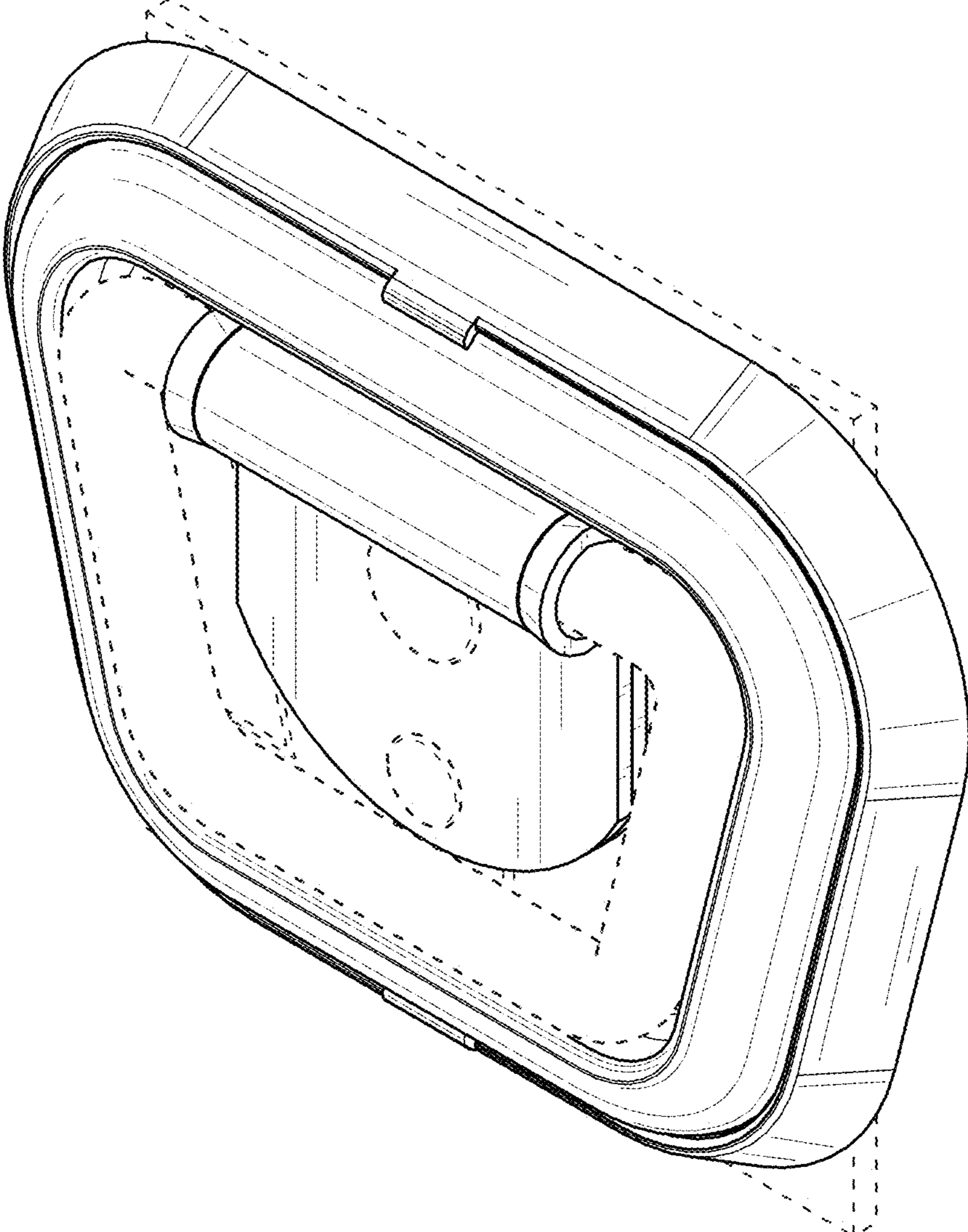


FIG. 9

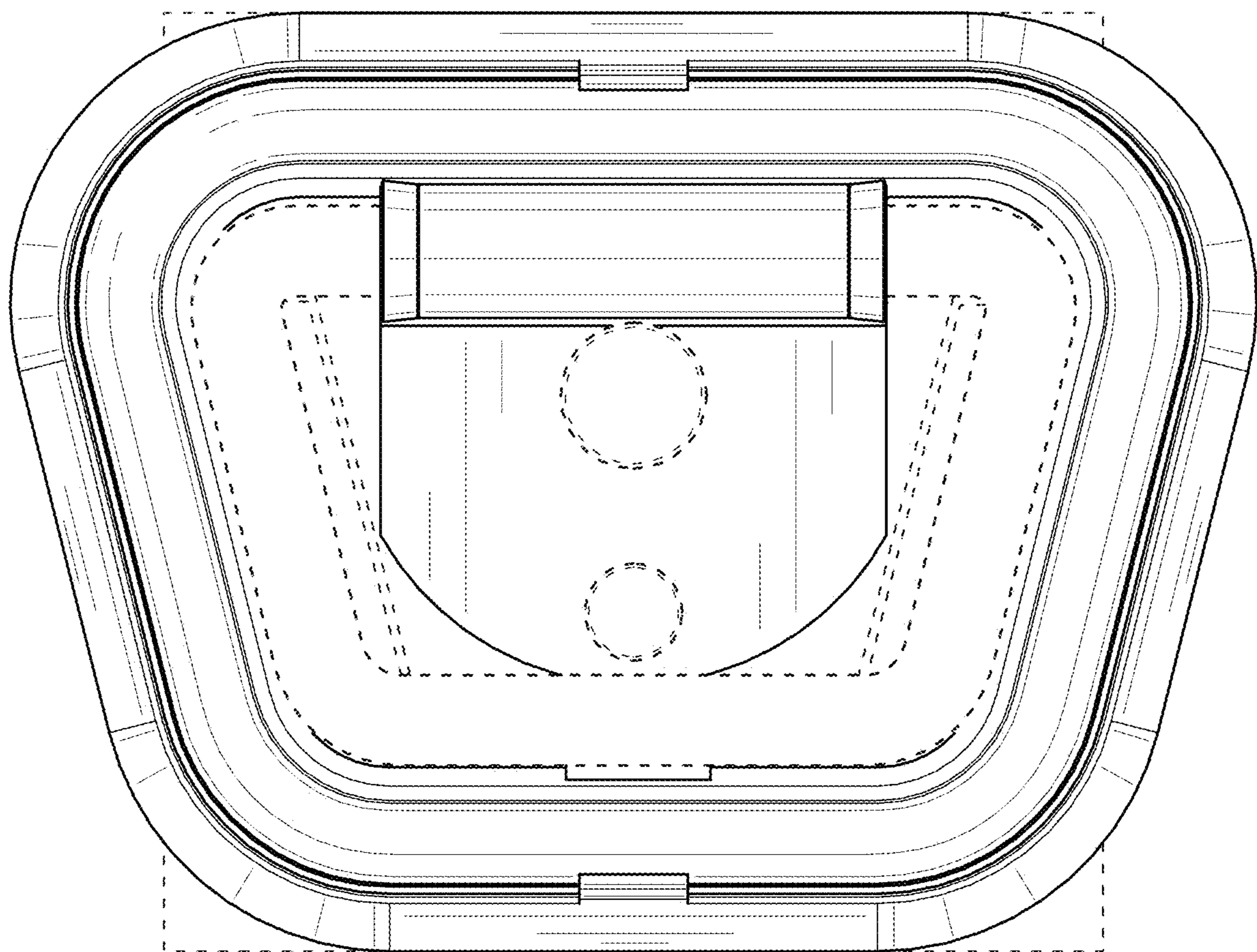


FIG. 10

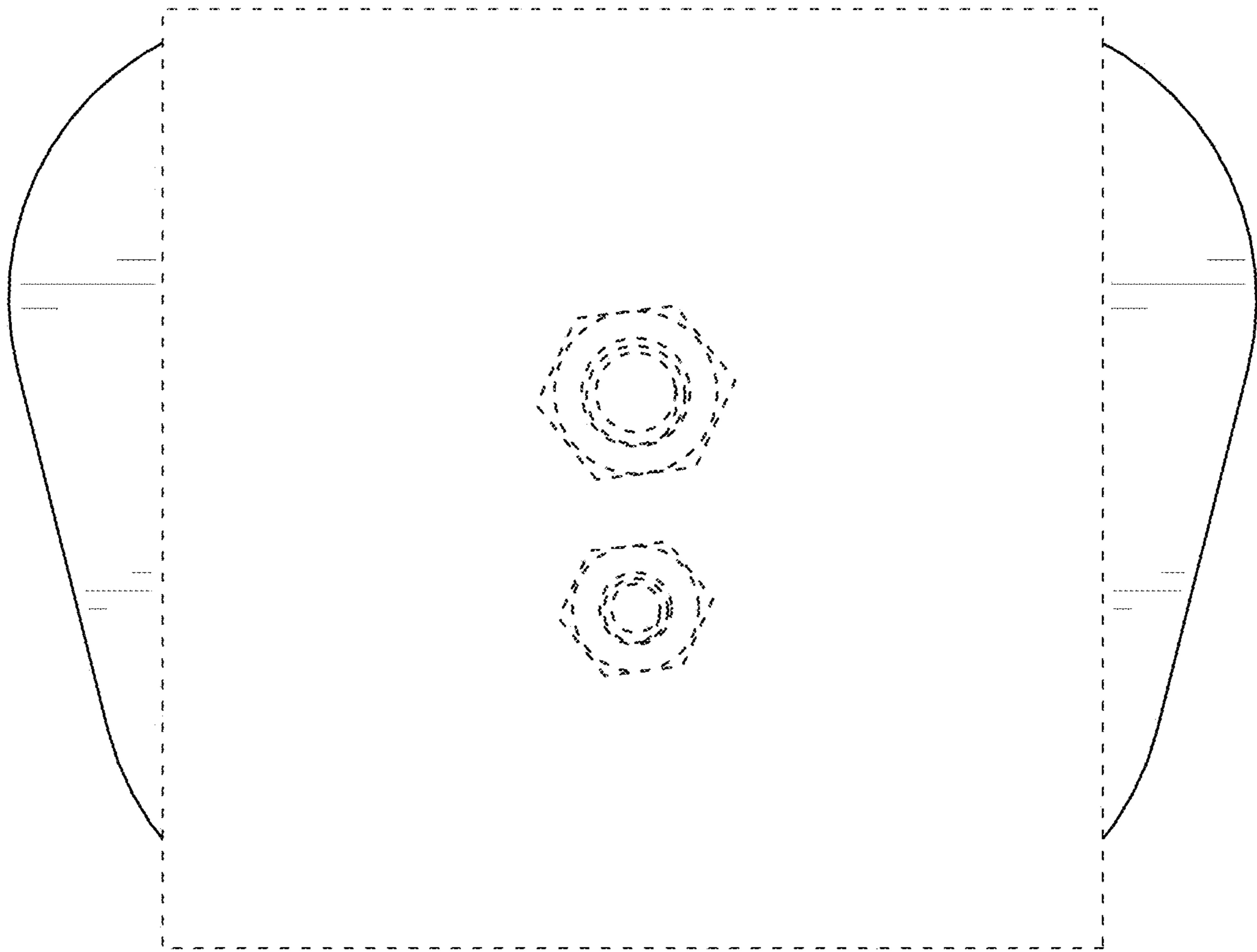


FIG. 11

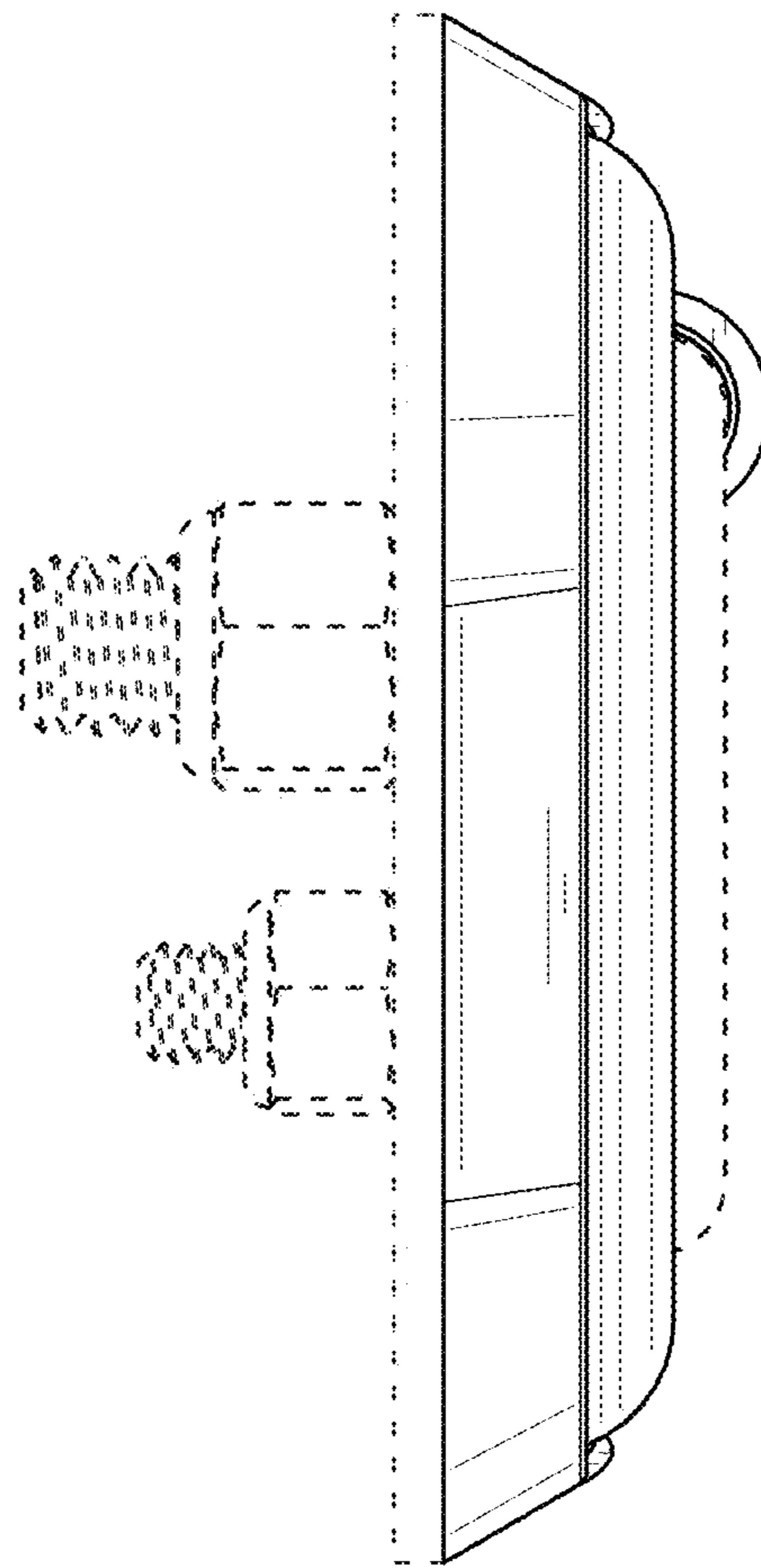


FIG. 12

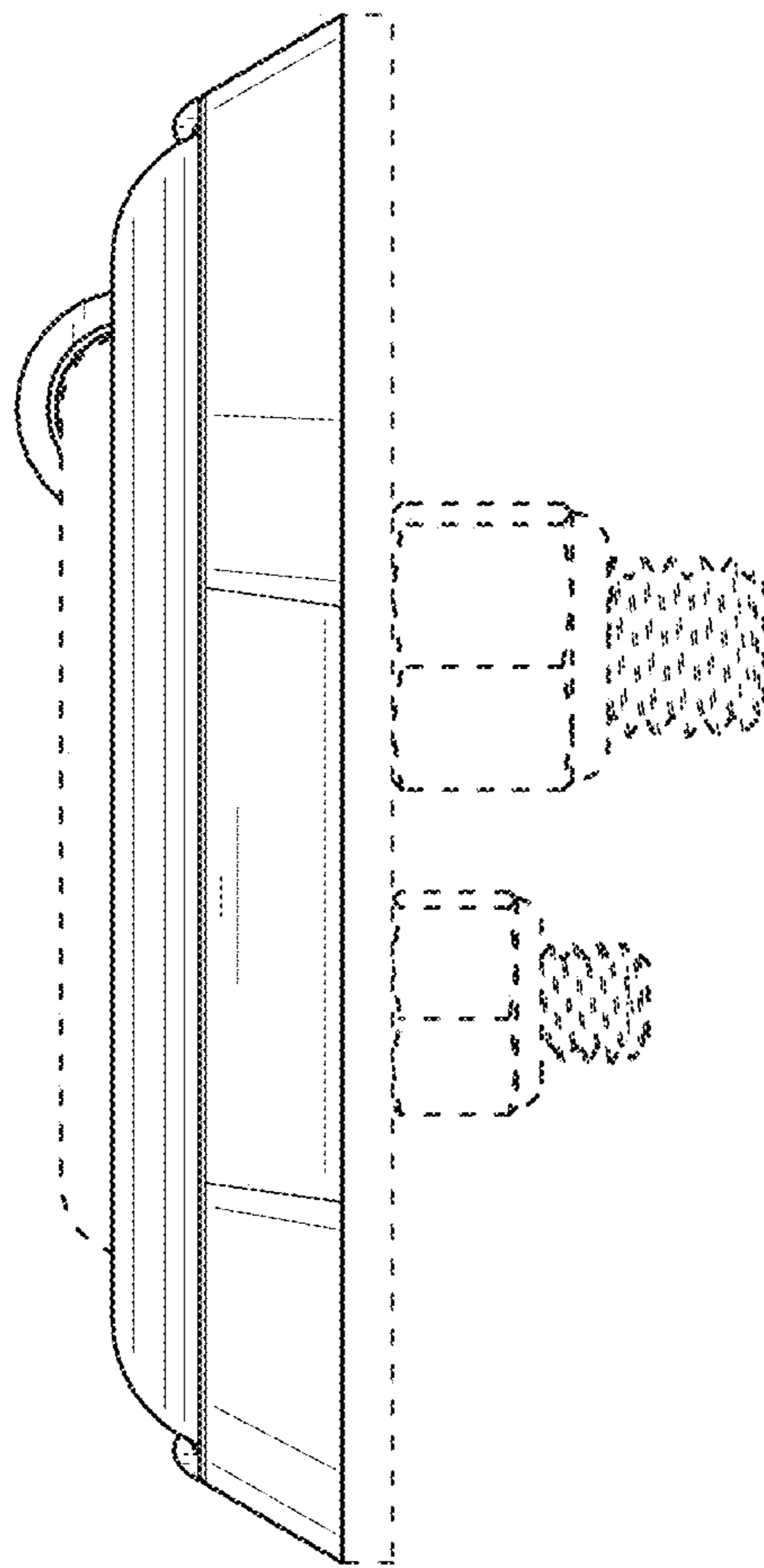


FIG. 13

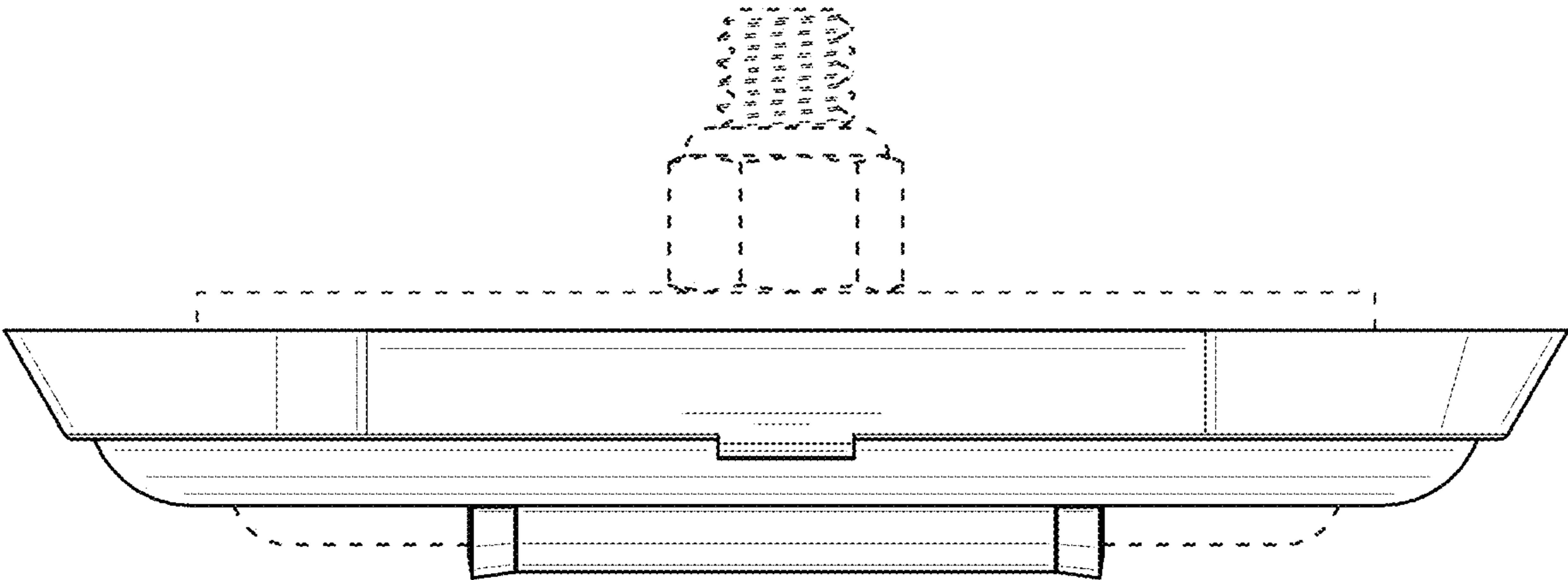


FIG. 14

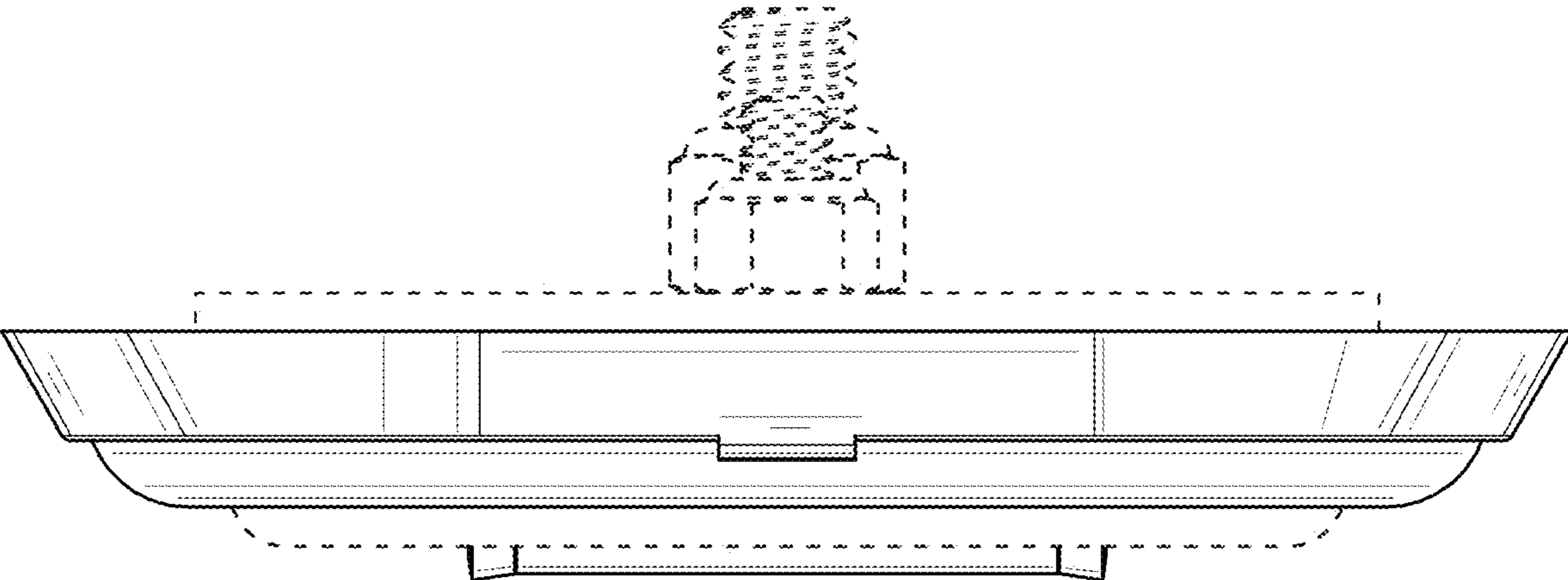


FIG. 15

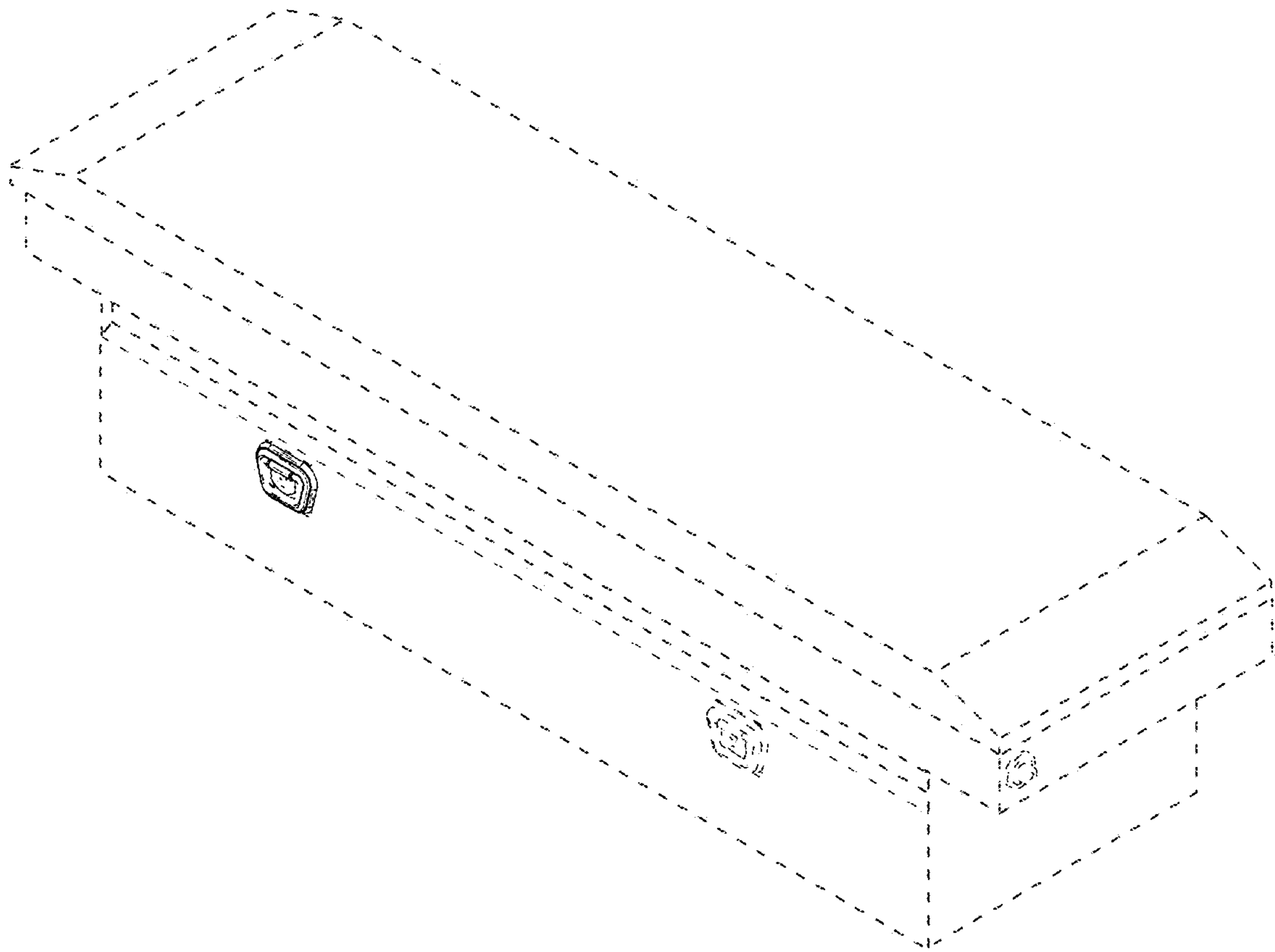


FIG. 16