



US00D968926S

(12) **United States Design Patent**
Hornbaker et al.

(10) **Patent No.:** **US D968,926 S**
(45) **Date of Patent:** **** Nov. 8, 2022**

(54) **HANDLE**

- (71) Applicant: **Behrens Manufacturing, LLC**,
Winona, MN (US)
- (72) Inventors: **Ronald G. Hornbaker**, Orono, MN
(US); **Sotera Tschetter**, St. Paul, MN
(US); **Dana John Busch**, Becker, MN
(US)
- (73) Assignee: **Behrens Manufacturing, LLC**,
Winona, MN (US)
- (**) Term: **15 Years**

- (21) Appl. No.: **29/759,406**
- (22) Filed: **Nov. 23, 2020**

Related U.S. Application Data

- (63) Continuation of application No. 29/743,704, filed on
Jul. 23, 2020.
- (51) **LOC (13) Cl.** **08-06**
- (52) **U.S. Cl.**
USPC **D8/303**
- (58) **Field of Classification Search**
USPC D8/107, 300, 303, 307, 311, 312, 315;
D7/395; D9/434; D3/328
CPC Y10T 16/469; Y10T 16/476; Y10T
74/20828; Y10T 74/20822; Y10T 16/466;
Y10T 16/4713; Y10T 16/4707; Y10T
16/44; Y10T 74/2078; Y10T 74/20732;
Y10T 74/20864; Y10T 16/4559; Y10T
74/2028; Y10T 292/57; Y10T 16/4576;
Y10T 408/96; Y10T 74/20612; Y10T
407/1825; Y10T 74/20642; Y10T 408/65;
Y10T 70/5872; Y10T 74/2042; Y10T
74/20396; Y10T 29/53943; Y10T
403/1649; B25G 1/102; B25G 1/10;
B25G 1/105; B25G 3/00; B25G 1/085
See application file for complete search history.

(56) **References Cited**

U.S. PATENT DOCUMENTS

- 2,448,894 A * 9/1948 Laus B65D 33/12
D9/434
 - 3,270,368 A * 9/1966 Cook, Sr. A22C 25/02
30/304
 - 3,800,361 A * 4/1974 Stauffer B65D 33/12
294/171
 - 4,004,722 A * 1/1977 Olivier A45F 5/1046
D9/434
 - D266,488 S * 10/1982 Marshall D9/434
- (Continued)

OTHER PUBLICATIONS

BON Advantage, Catch The Wave, Comfort Wave Handle, Bon
Tool Company, product flyer dated May 2017 (1 page).
(Continued)

Primary Examiner — Lauren R Calve
(74) *Attorney, Agent, or Firm* — James L. Young;
Westman, Champlin & Koehler P.A.

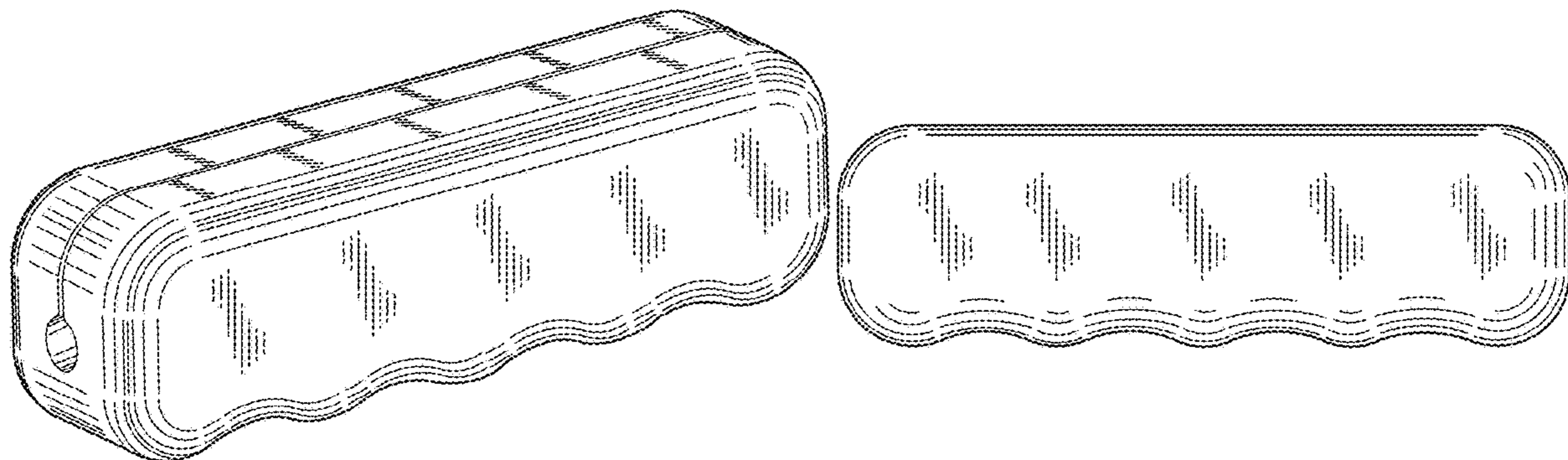
(57) **CLAIM**

The ornamental design for a handle, as shown and described.

DESCRIPTION

FIG. 1 is a perspective view of a handle;
FIG. 2 is a front view thereof;
FIG. 3 is a back view thereof;
FIG. 4 is an end view thereof (from the left end as seen in
FIG. 2);
FIG. 5 is an end view thereof (from the right end as seen in
FIG. 2);
FIG. 6 is a top view thereof;
FIG. 7 is a bottom view thereof; and,
FIG. 8 is a sectional view as taken along lines 8-8 in FIG.
6.

1 Claim, 2 Drawing Sheets



(56)

References Cited

U.S. PATENT DOCUMENTS

4,993,767 A * 2/1991 Song A47J 45/10
 220/759
 D318,213 S * 7/1991 Cloonan D9/434
 D326,127 S * 5/1992 Rink D8/303
 5,440,784 A * 8/1995 Hull B25G 1/102
 16/114.1
 D361,934 S * 9/1995 Croteau D9/434
 D362,588 S * 9/1995 Cohen D7/395
 D371,737 S * 7/1996 May D9/434
 D372,425 S * 8/1996 Kirkwood D9/434
 D384,279 S * 9/1997 Hepworth D9/434
 D419,825 S * 2/2000 Derington D7/395
 D467,498 S * 12/2002 Taylor D9/434
 D556,006 S * 11/2007 Cantlon D8/107
 D569,174 S * 5/2008 Zemel D7/395
 D573,351 S * 7/2008 Angers D4/138
 D647,801 S * 11/2011 Werdowatz D9/434
 D658,937 S * 5/2012 Zemel D7/395
 D775,508 S 1/2017 Bongiovanni
 D775,926 S * 1/2017 Atkins D8/303
 9,545,142 B2 * 1/2017 Pitchforth A45C 13/26
 9,914,560 B2 3/2018 Cartlidge
 D860,755 S * 9/2019 Wildes D8/303
 D867,492 S * 11/2019 Didia D21/694
 D882,371 S * 4/2020 Clark D8/303
 D893,978 S * 8/2020 Clark D8/303
 2006/0087139 A1 * 4/2006 Ayres A45F 5/1026
 294/137
 2006/0163894 A1 * 7/2006 Mishek A45F 5/1046
 294/171

2015/0257518 A1 * 9/2015 Burkman A45F 5/1046
 294/171
 2017/0073114 A1 * 3/2017 Cartlidge A45F 5/102
 2021/0292046 A1 * 9/2021 Joseph A45F 5/102

OTHER PUBLICATIONS

“Snappy Grip Ergonomic Handles,” Snappy Grip, Snappy Grip, Inc. (accessed at www.shop.snappygrip.com/shop/ on Aug. 3, 2020), publicly available prior to Nov. 18, 2019 (3 pages).
 “Metal Buckets with Vintage Wooden Handle,” Bucket Outlet (accessed at www.bucket-outlet.com/Galvanized-Buckets-With-Wood-Handle.htm on Aug. 3, 2020), publicly available prior to Nov. 18, 2019 (2 pages).
 “Pail Handles,” Cove West, Cove West USA, (accessed at www.covewestusa.com/pail-handles/ on Aug. 3, 2020), publicly available prior to Nov. 18, 2019 (2 pages).
 “5 Gallon Green Plastic Pail (90 mil), w/ Metal Handle (P4 Series),” The Cary Company, The Cary Company (accessed at www.thecarycompany.com/5-gallon-green-plastic-pail-57wp5g on Aug. 3, 2020), publicly available prior to Nov. 18, 2019 (1 page).
 “Bucket Grip,” Bucketboss Brand, Bucket Boss (accessed at www.bucketboss.com/product-page/bucket-grip on Aug. 3, 2020), publicly available prior to Nov. 18, 2019 (8 pages).
 “Bucket Gripper,” Bucket Gripper (accessed at www.bucketgripper.com on Aug. 3, 2020), publicly available prior to Nov. 18, 2019 (5 pages).
 “Bucket Up Comfort Handle,” Bucket Up (accessed at www.bucketuphandles.com on Aug. 3, 2020), available prior to Nov. 18, 2019 (4 pages).

* cited by examiner

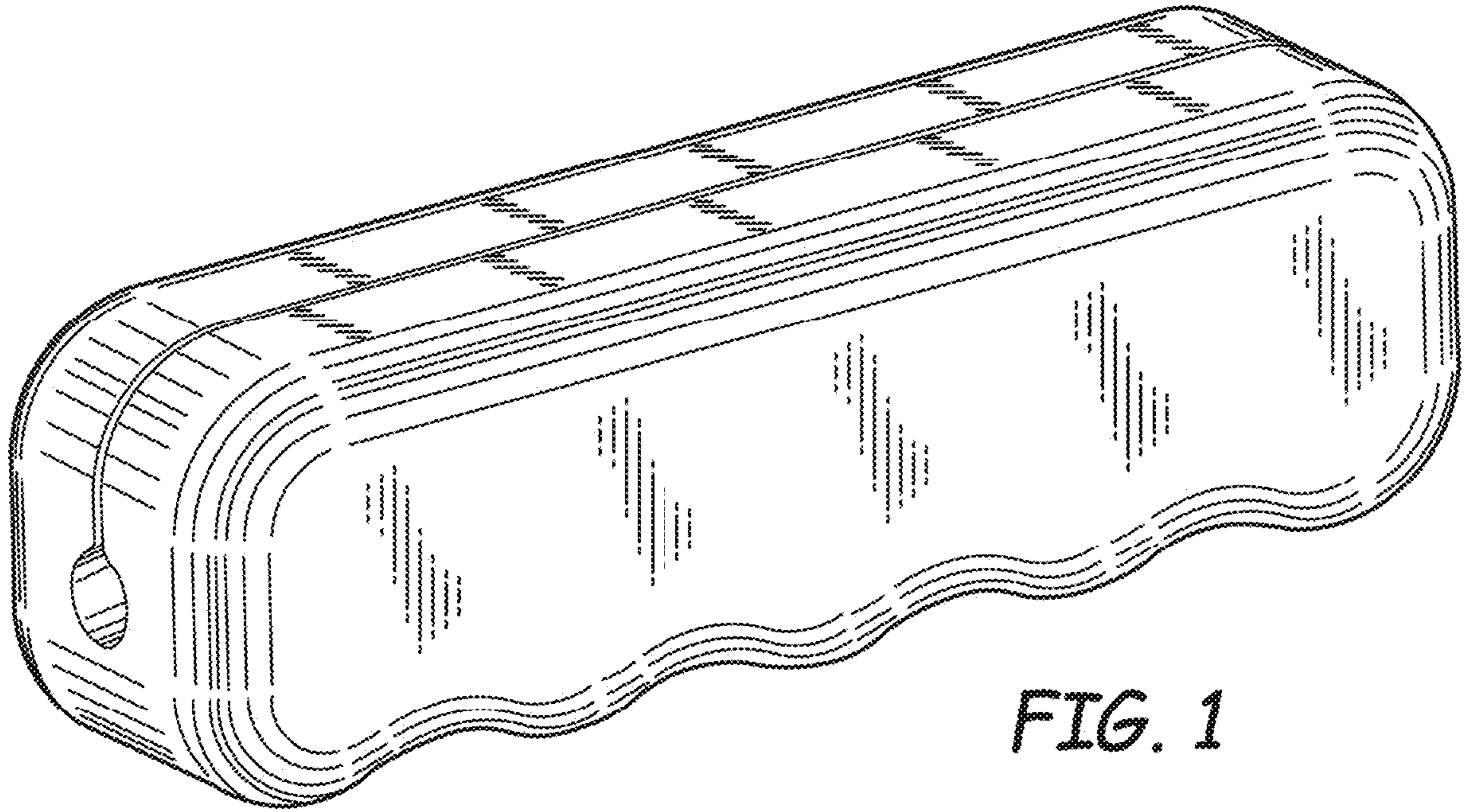


FIG. 1

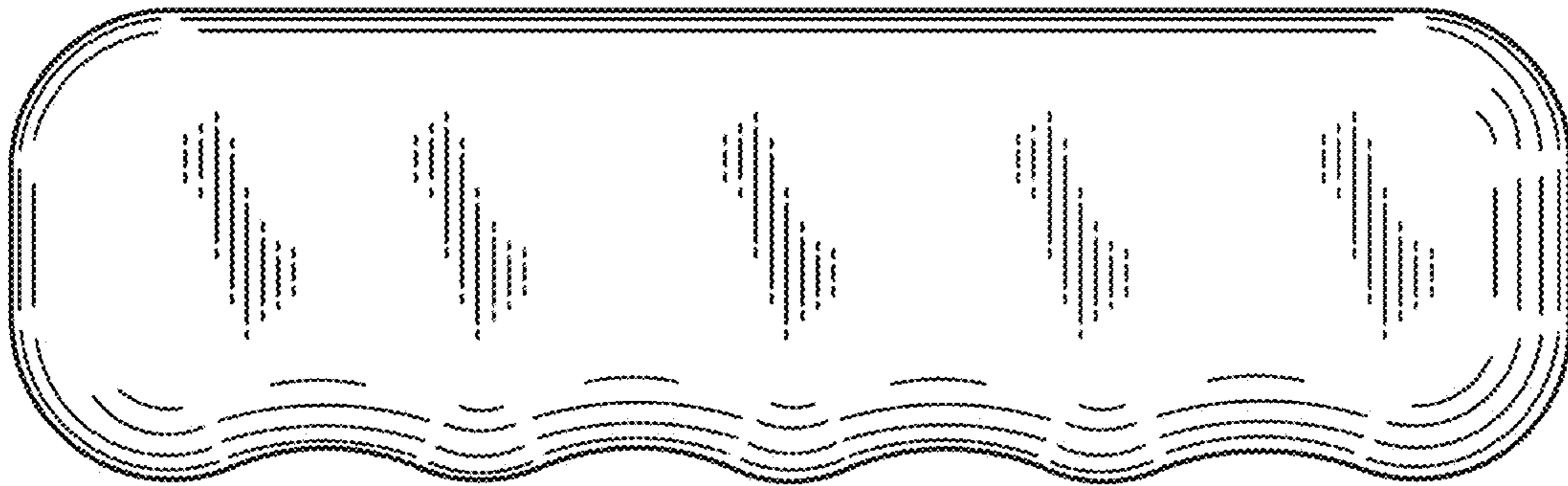


FIG. 2

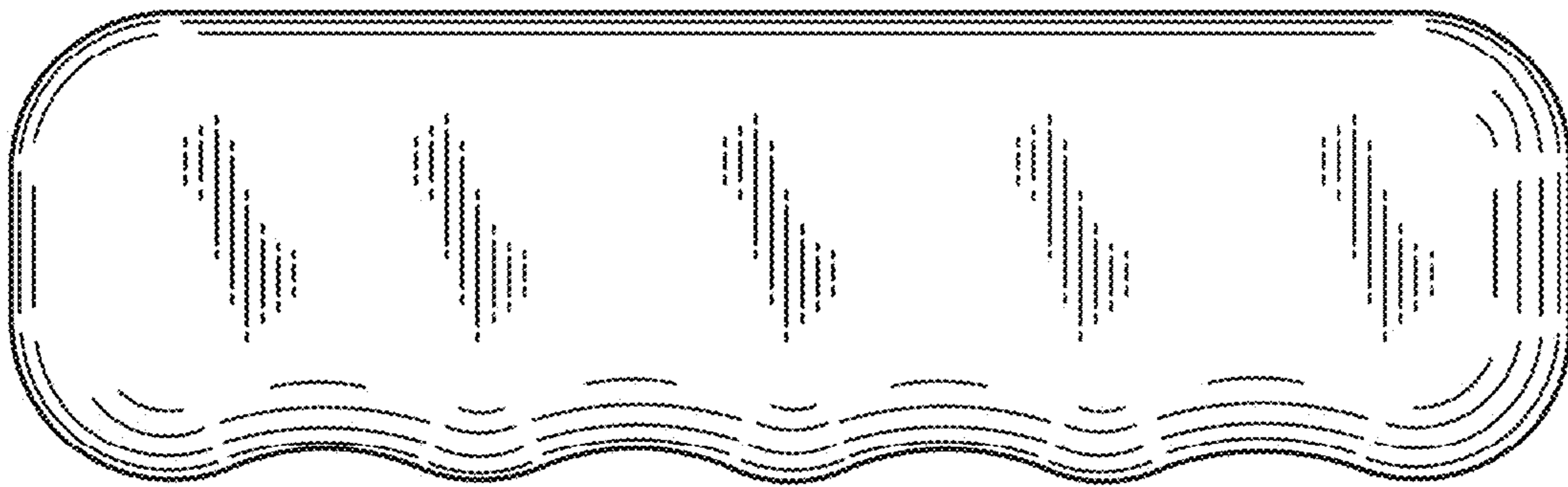


FIG. 3

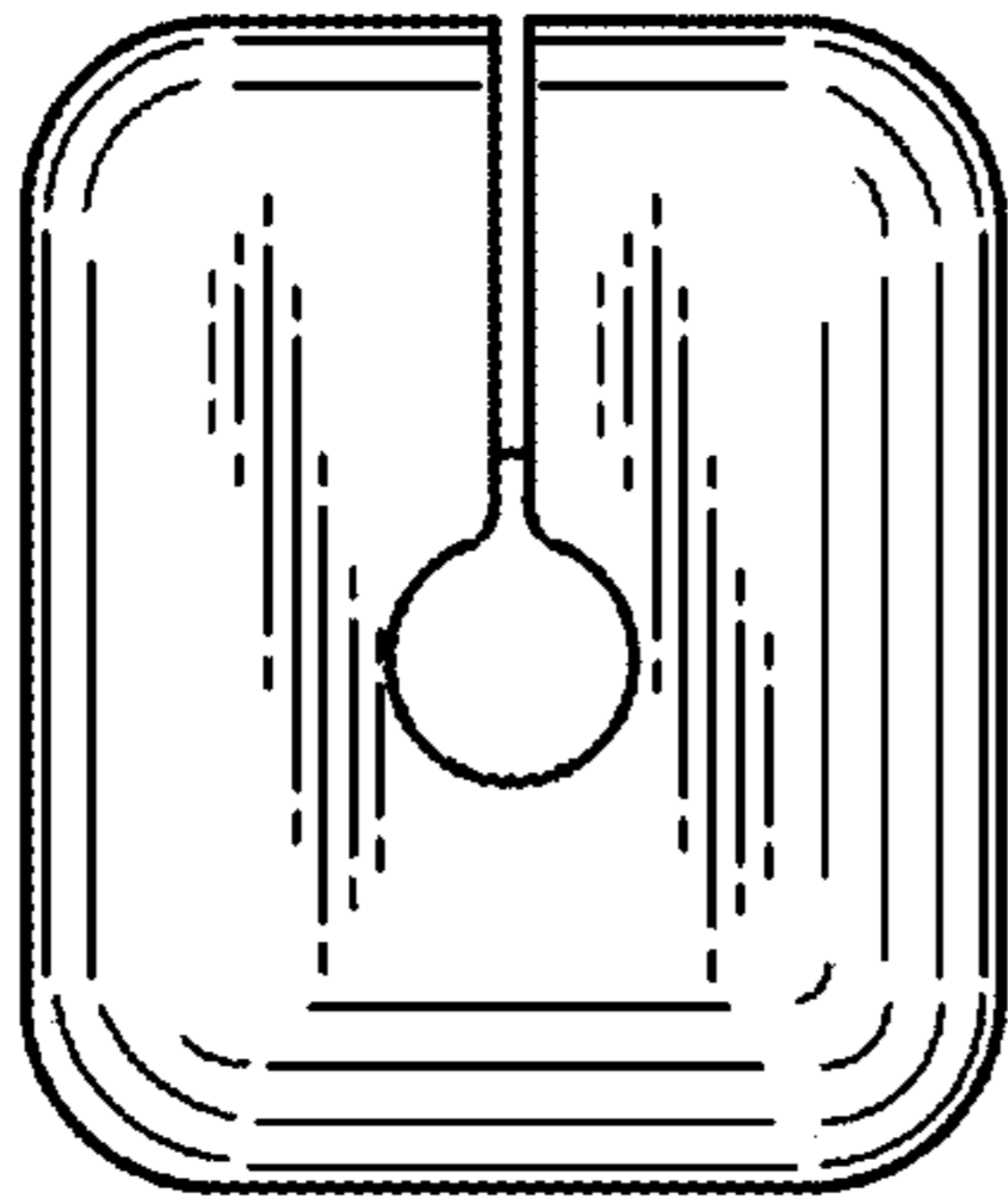


FIG. 4

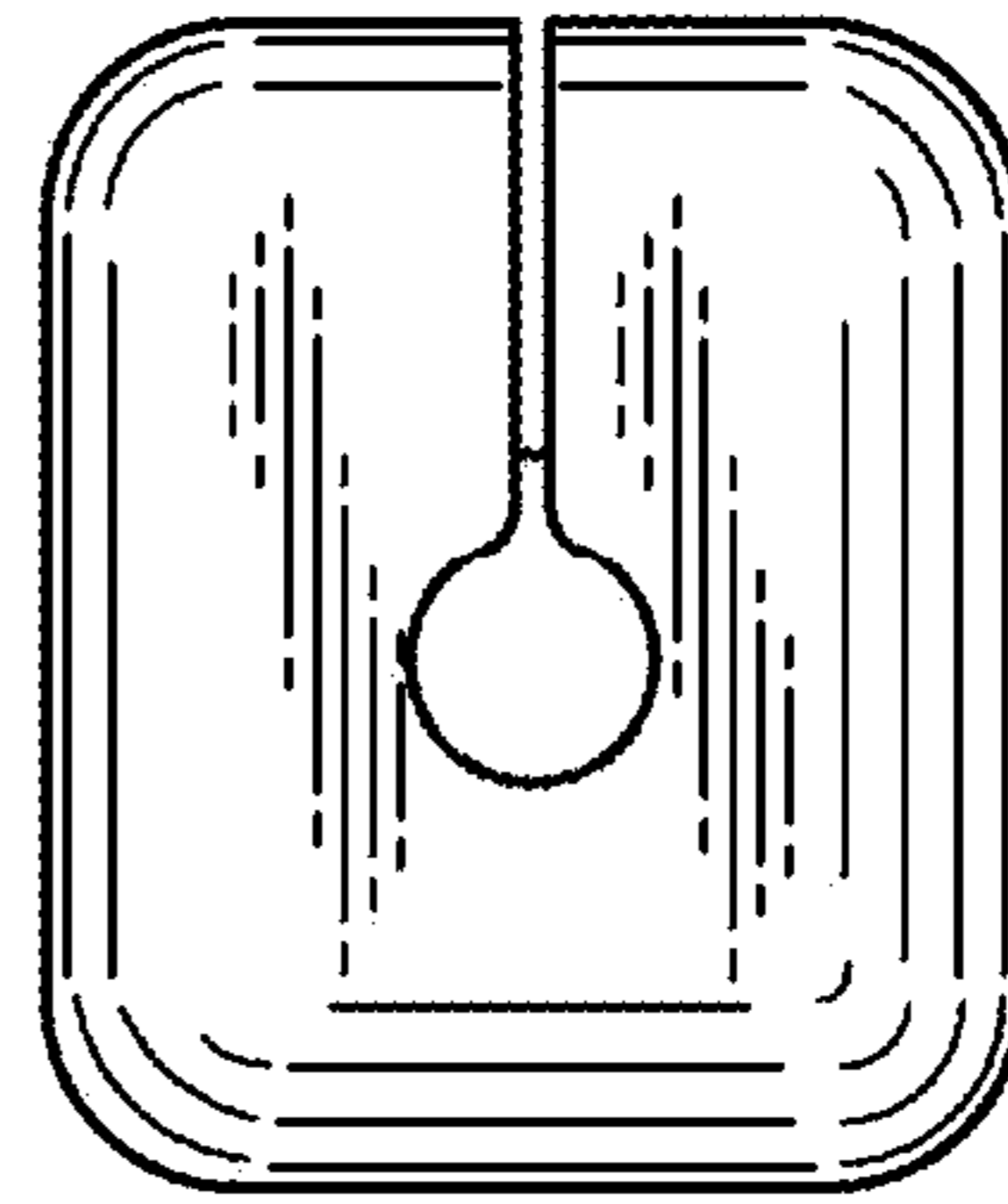


FIG. 5

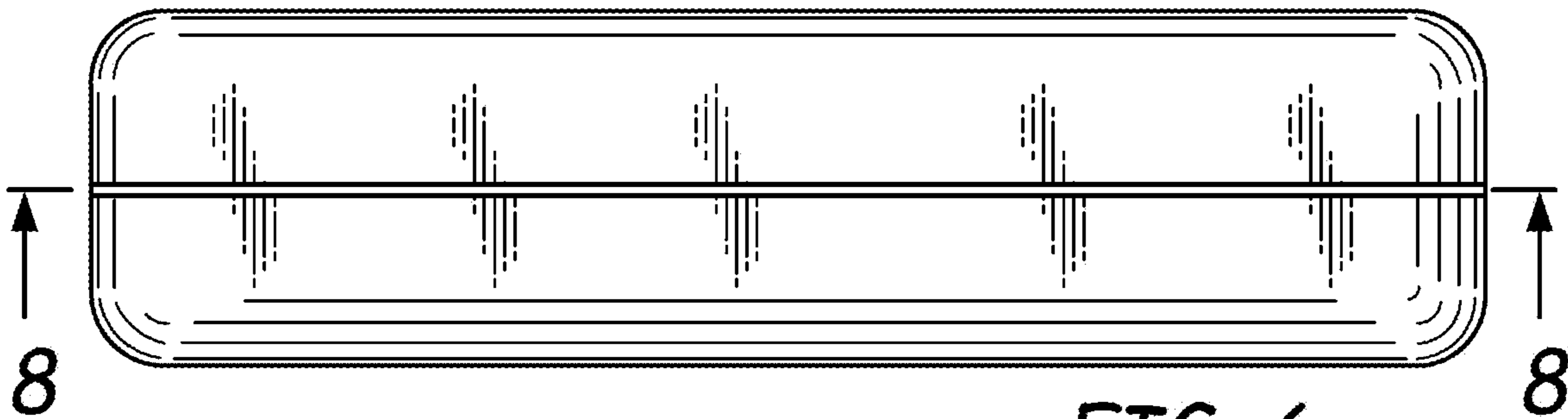


FIG. 6

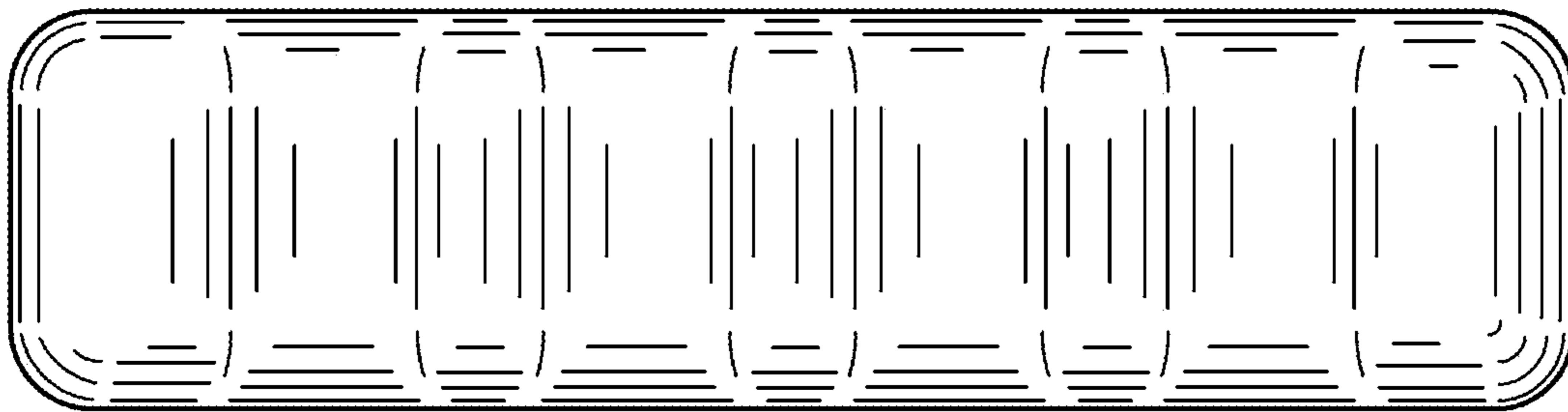


FIG. 7

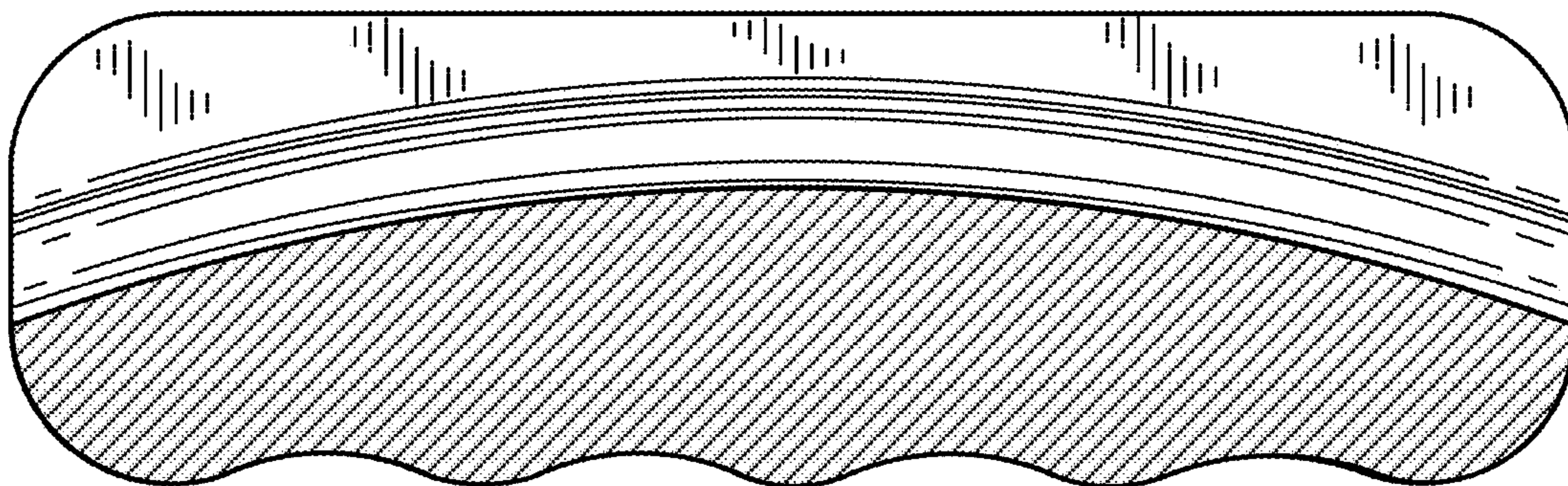


FIG. 8