



US00D968922S

(12) **United States Design Patent** (10) **Patent No.:** **US D968,922 S**  
**Stoll** (45) **Date of Patent:** **\*\* Nov. 8, 2022**

(54) **WOOD SPLITTING WEDGE**  
(71) Applicant: **Jürgen Stoll**, Weilheim an der Teck (DE)  
(72) Inventor: **Jürgen Stoll**, Weilheim an der Teck (DE)  
(\*\*) Term: **15 Years**

(21) Appl. No.: **35/512,454**  
(22) Filed: **Aug. 3, 2021**

(80) **Hague Agreement Data**

Int. Filing Date: **Aug. 3, 2021**  
Int. Reg. No.: **DM/215911**  
Int. Reg. Date: **Aug. 3, 2021**  
Int. Reg. Pub. Date: **Aug. 27, 2021**

(51) **LOC (13) Cl.** ..... **08-05**  
(52) **U.S. Cl.**  
USPC ..... **D8/47**  
(58) **Field of Classification Search**  
USPC ..... D8/14, 47, 75, 76, 77, 78, 79  
CPC ..... B27L 7/06; B26B 23/00  
See application file for complete search history.

(56) **References Cited**

**U.S. PATENT DOCUMENTS**

D107,109 S \* 11/1937 Carter ..... D8/47  
3,185,442 A \* 5/1965 Hemphill ..... B27G 19/08  
254/104  
D238,745 S \* 2/1976 Bedard ..... A01G 23/099  
D8/47  
D259,619 S \* 6/1981 Nicholson ..... D8/47  
D269,494 S \* 6/1983 Tremaglio ..... D8/47  
4,451,024 A \* 5/1984 Shepherd ..... A01G 23/099  
144/195.7  
D286,008 S \* 10/1986 Hillinger ..... D8/47

D300,001 S \* 2/1989 Oberg ..... D8/78  
4,926,558 A \* 5/1990 Brace ..... B27L 7/06  
144/195.5  
5,290,012 A \* 3/1994 Cottriel ..... A01G 23/099  
144/195.7  
5,394,917 A \* 3/1995 Maine ..... B26B 23/00  
144/195.5  
D378,656 S \* 4/1997 Maine ..... D8/78  
D655,144 S \* 3/2012 Hajarizadeh ..... B26B 23/00  
D8/47  
D720,588 S \* 1/2015 Pugh ..... B27L 7/06  
D8/47  
D731,273 S \* 6/2015 McPeak Ford ..... B25F 1/006  
D8/402  
9,345,912 B2 \* 5/2016 Wells ..... B25F 1/006  
D839,068 S \* 1/2019 Frenkel ..... D8/47  
2010/0299843 A1 \* 12/2010 Dapkins, Jr. .... B25F 1/00  
7/138

\* cited by examiner

*Primary Examiner* — Philip S Hyder

(57) **CLAIM**

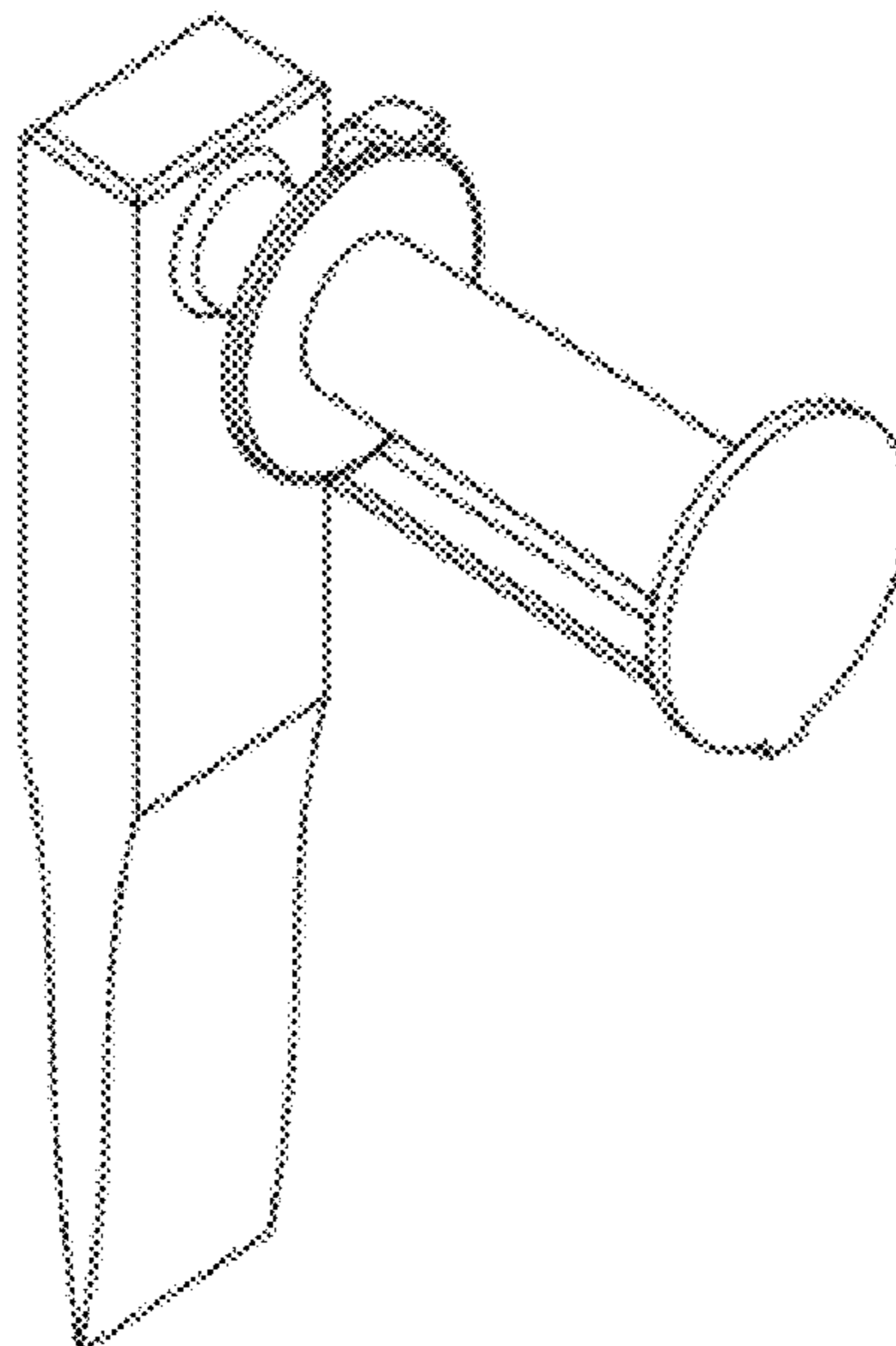
The ornamental design for a wood splitting wedge, as shown and described.

**DESCRIPTION**

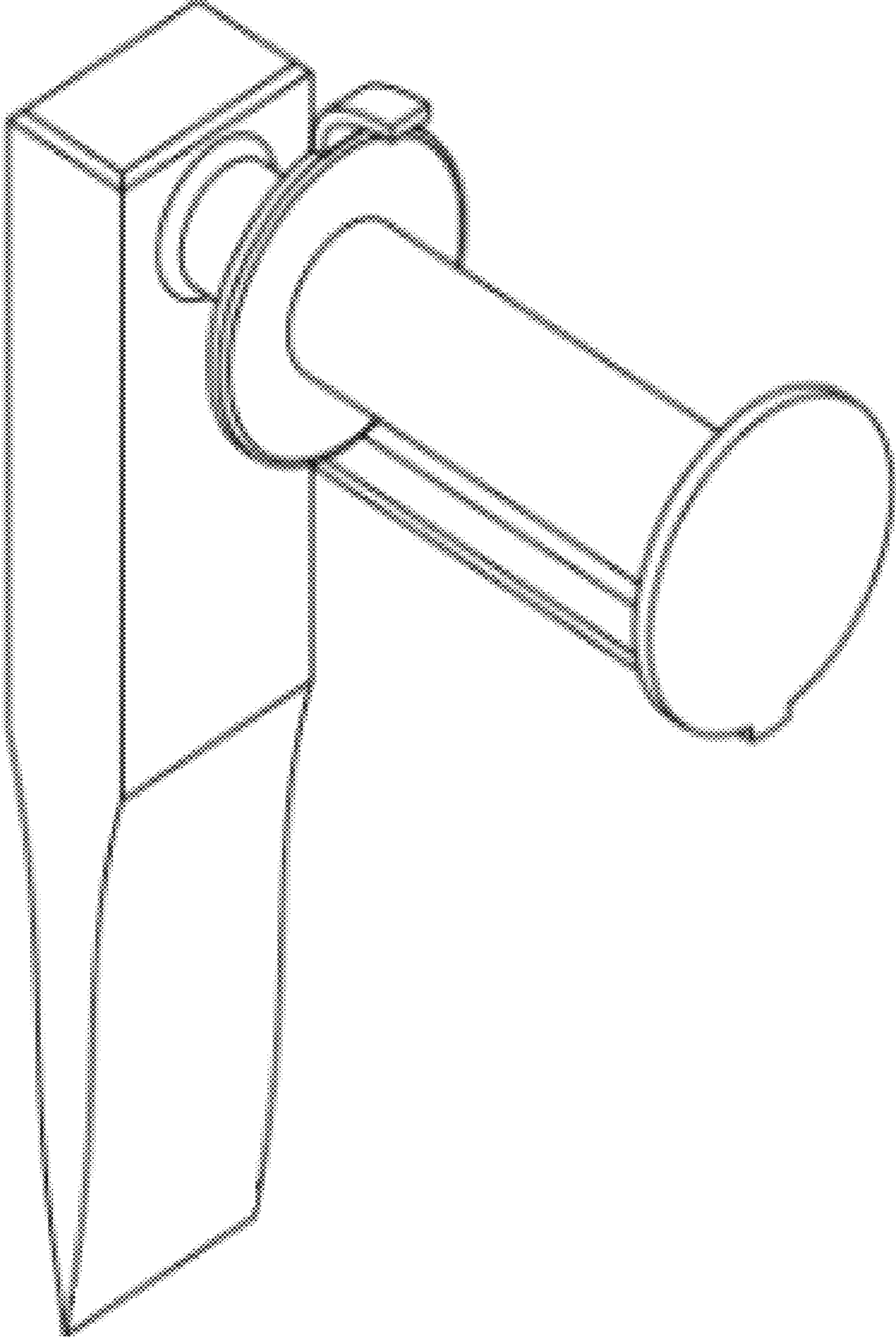
- 1. Wood splitting wedge
- 1.1 : Perspective
- 1.2 : Bottom
- 1.3 : Right
- 1.4 : Left
- 1.5 : Top
- 1.6 : Front

The design of a wood splitting tool claimed according to the 6 views is characterized by a handle with a hand guard which does not attach to the wedge at its front or back as usual, but to the side; the rear view of the wood splitting tool is reversed to the front view, but otherwise identical and therefore omitted.

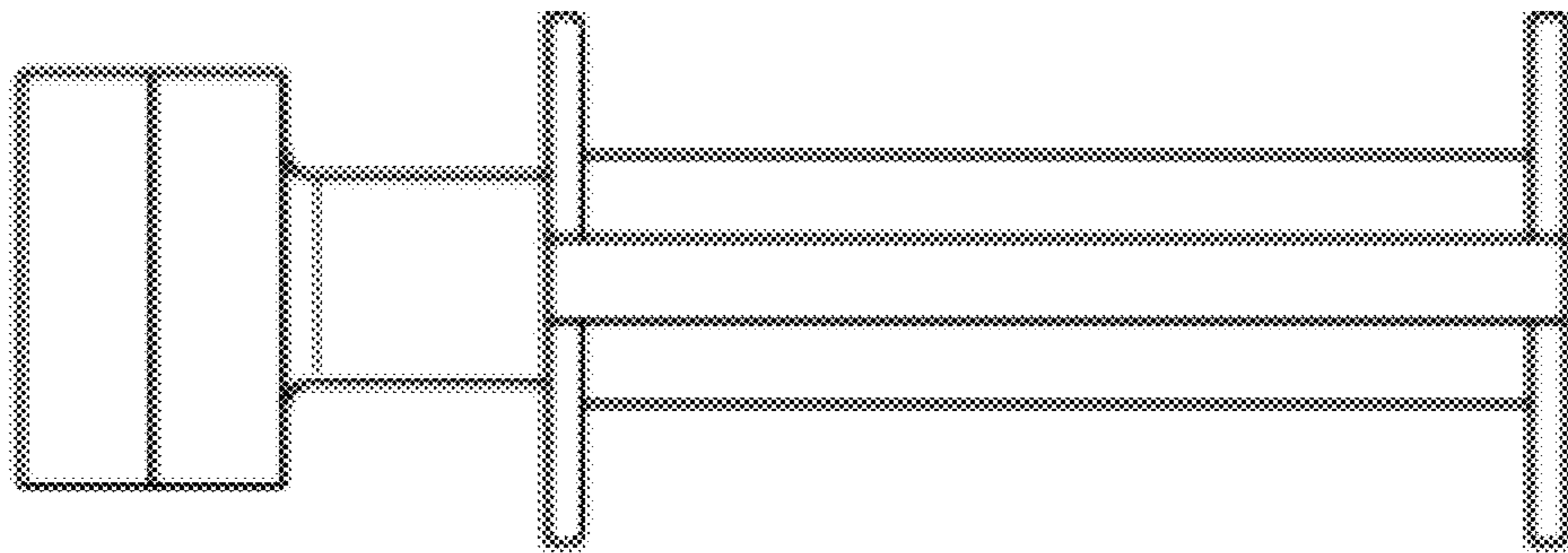
**1 Claim, 6 Drawing Sheets**



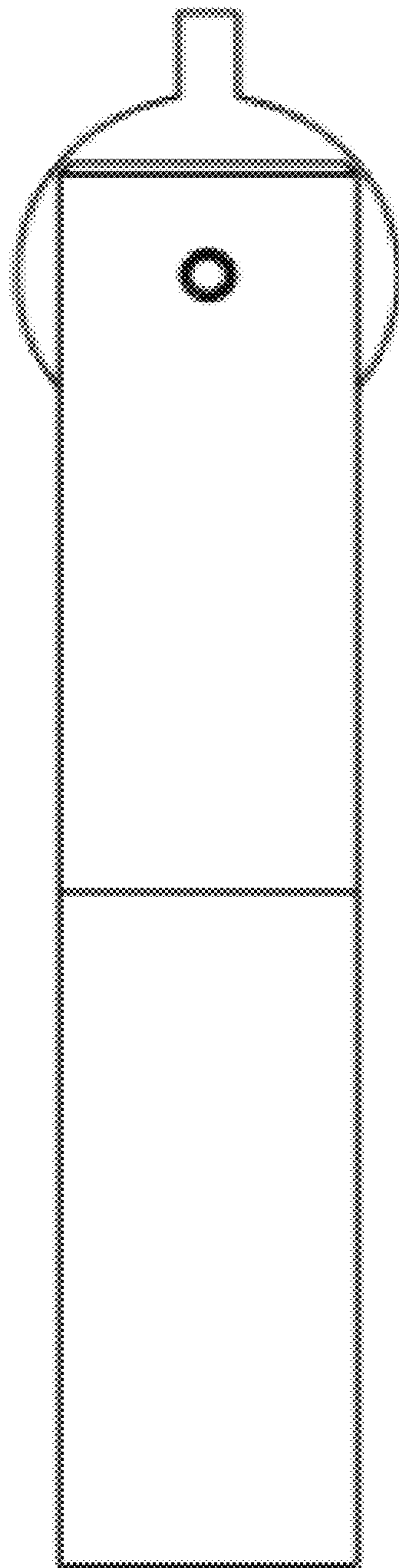
# 1.1



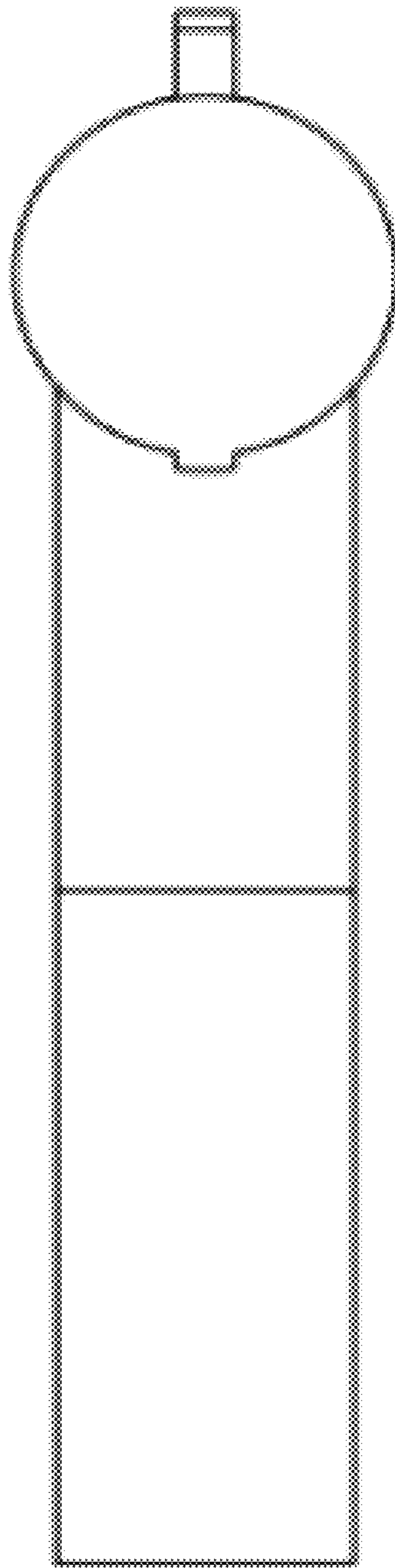
**1.2**



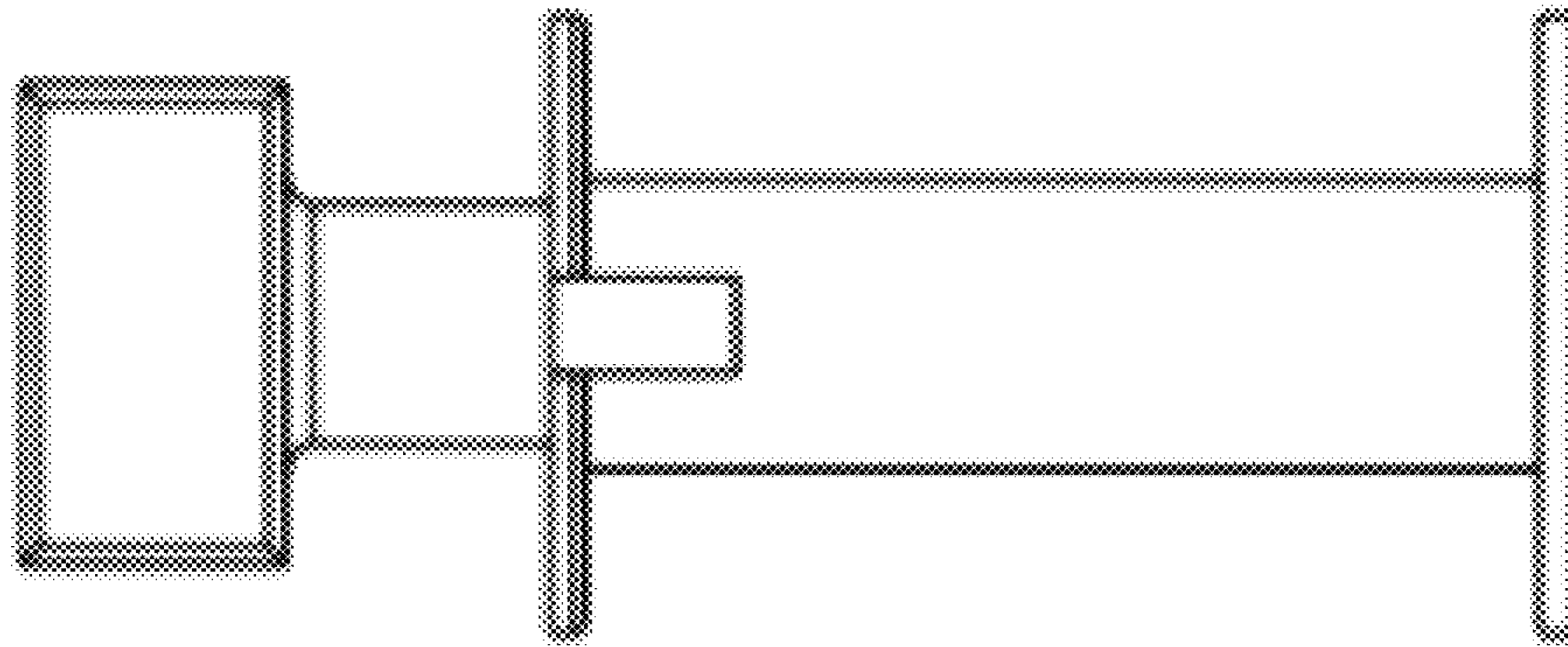
# 1.3



# 1.4



**1.5**



**1.6**

