



US00D968919S

(12) **United States Design Patent** (10) **Patent No.:** **US D968,919 S**
Xu (45) **Date of Patent:** **** Nov. 8, 2022**

(54) **SOLDERING IRON**
(71) Applicant: **Qiuxian Xu**, Putian (CN)
(72) Inventor: **Qiuxian Xu**, Putian (CN)
(**) Term: **15 Years**

D937,645 S * 12/2021 Gou H01R 13/5833
D8/30
D951,316 S * 5/2022 Gou D15/144.2
2006/0108345 A1 * 5/2006 Shigekawa B23K 3/0369
219/229
2013/0105466 A1 * 5/2013 Teraoka B23K 3/033
219/538
2019/0240756 A1 * 8/2019 Weissenberger B23K 3/026

(21) Appl. No.: **29/775,927**
(22) Filed: **Mar. 26, 2021**
(51) **LOC (13) Cl.** **08-05**
(52) **U.S. Cl.**
USPC **D8/30**
(58) **Field of Classification Search**
USPC D8/14, 29.1, 29.2, 30, 51; D15/144
CPC B23K 3/0615; B23K 3/063; B23K 3/06;
B23K 3/046; B23K 3/021; B23K 3/022;
B23K 3/023; B23K 3/033
See application file for complete search history.

OTHER PUBLICATIONS

Amazon.com, Results from search for soldering iron, Jun. 14, 2022.*

* cited by examiner

Primary Examiner — Philip S Hyder

(57) **CLAIM**

The ornamental design for a soldering iron, as shown and described.

(56) **References Cited**

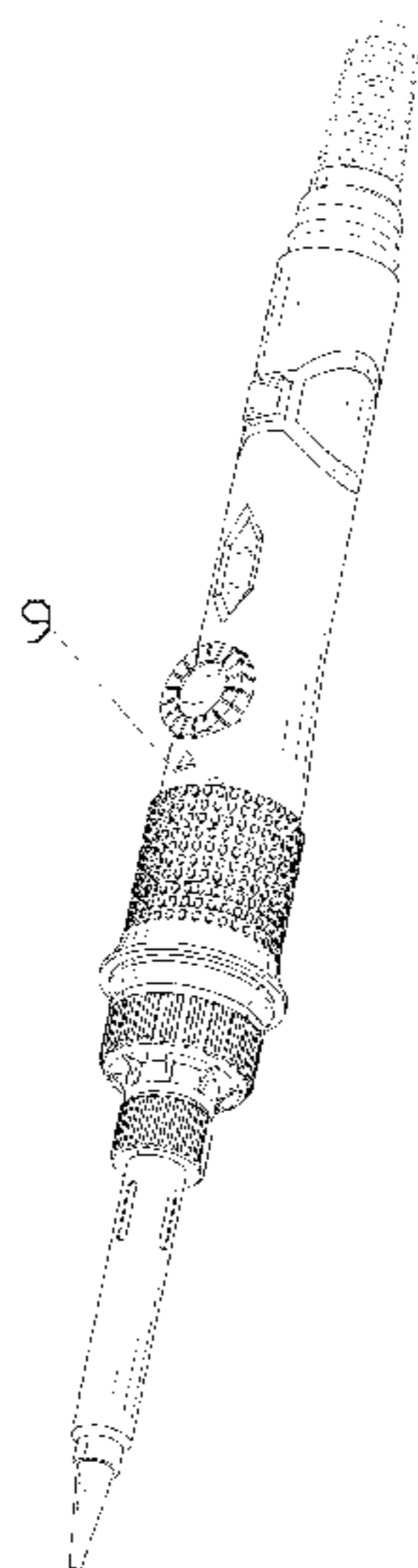
U.S. PATENT DOCUMENTS

D300,297 S * 3/1989 Arehart D8/30
5,928,536 A * 7/1999 Lee B23K 3/033
219/229
6,989,511 B1 * 1/2006 Tsai H01R 13/5833
219/229
D847,233 S * 4/2019 Gou D15/144
D847,234 S * 4/2019 Gou D15/144
D847,235 S * 4/2019 Gou D15/144
D862,547 S * 10/2019 Xie D8/30
D865,014 S * 10/2019 Xu D8/30
D879,169 S * 3/2020 Xu B23K 3/026
D8/30
D887,801 S * 6/2020 Li D8/30
D891,209 S * 7/2020 Gou D8/30
D892,579 S * 8/2020 Cheng D8/30
D897,173 S * 9/2020 Ding B23K 3/0369
D8/30
D905,521 S * 12/2020 Ding B23K 3/033
D8/30
D935,500 S * 11/2021 Li B23K 3/033
D8/30

DESCRIPTION

FIG. 1 is a perspective view of a soldering iron showing my new design;
FIG. 2 is another perspective view thereof;
FIG. 3 is a front elevational view thereof;
FIG. 4 is a rear elevational view thereof;
FIG. 5 is a left side elevational view thereof;
FIG. 6 is a right side elevational view thereof;
FIG. 7 is a top plan view thereof;
FIG. 8 is a bottom plan view thereof;
FIG. 9 is an enlarged view of portion 9 shown in FIG. 1;
FIG. 10 is an enlarged top plan view of the soldering iron; and,
FIG. 11 is an enlarged bottom plan view of the soldering iron.
The broken lines in the drawings depict portions of the soldering iron that form no part of the claimed design.

1 Claim, 11 Drawing Sheets



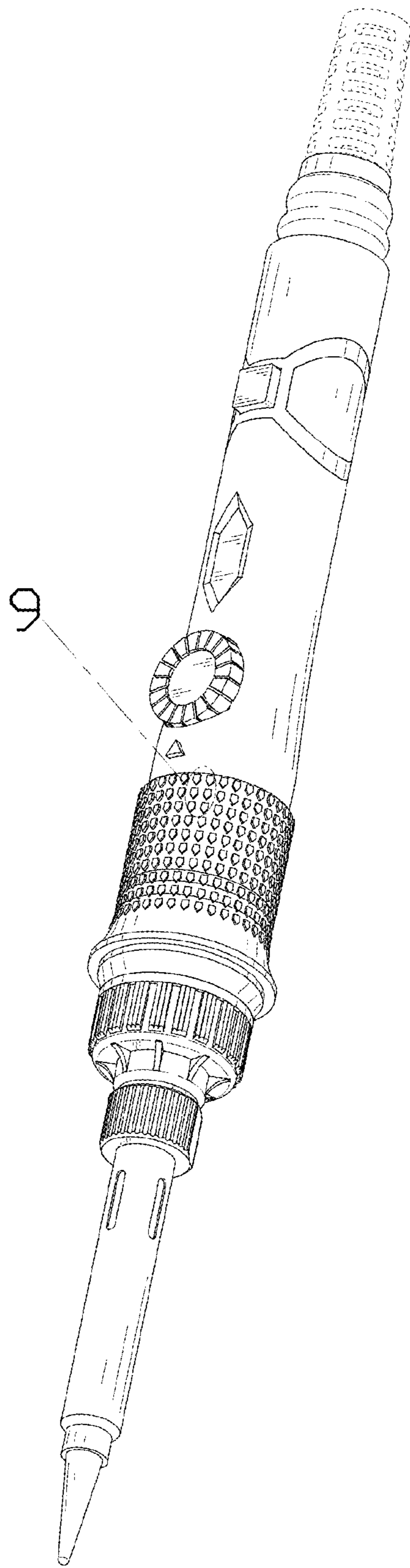


FIG. 1

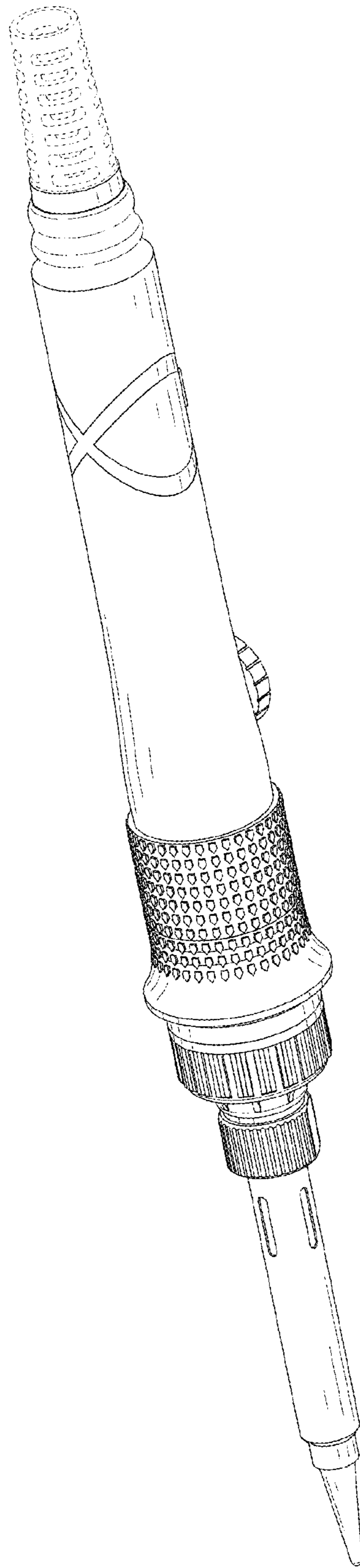


FIG. 2

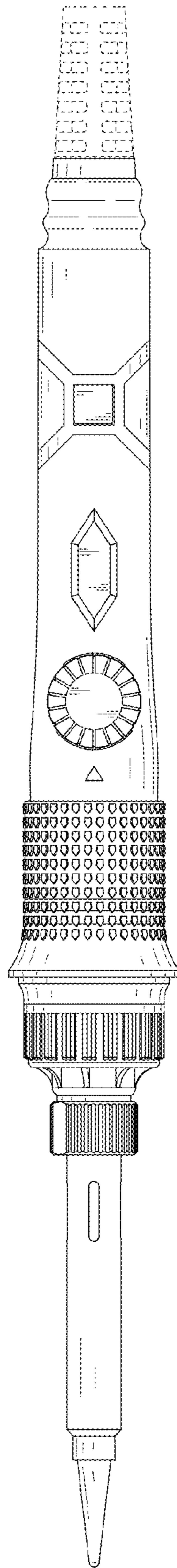


FIG. 3

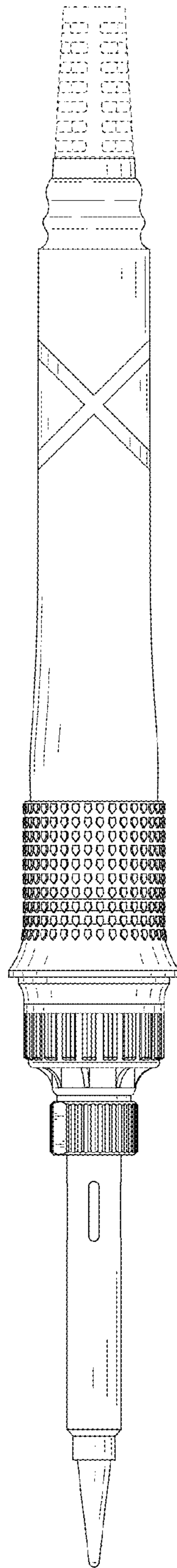


FIG. 4

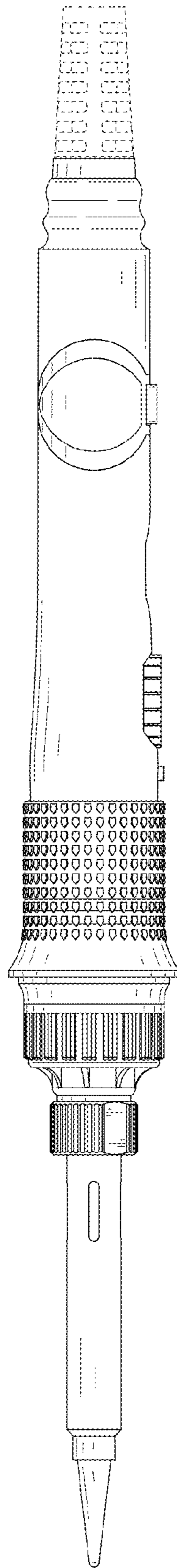


FIG. 5

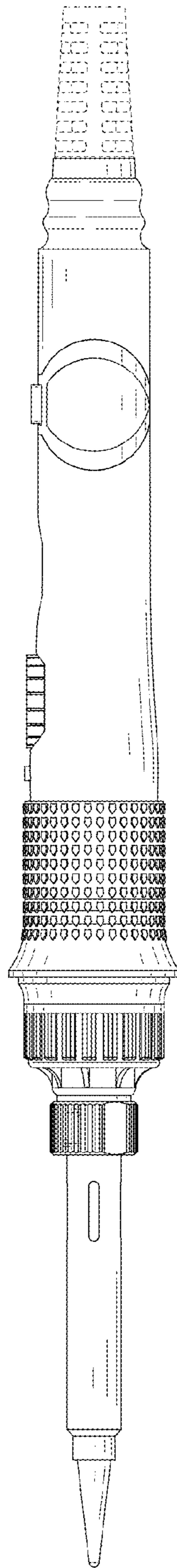


FIG. 6

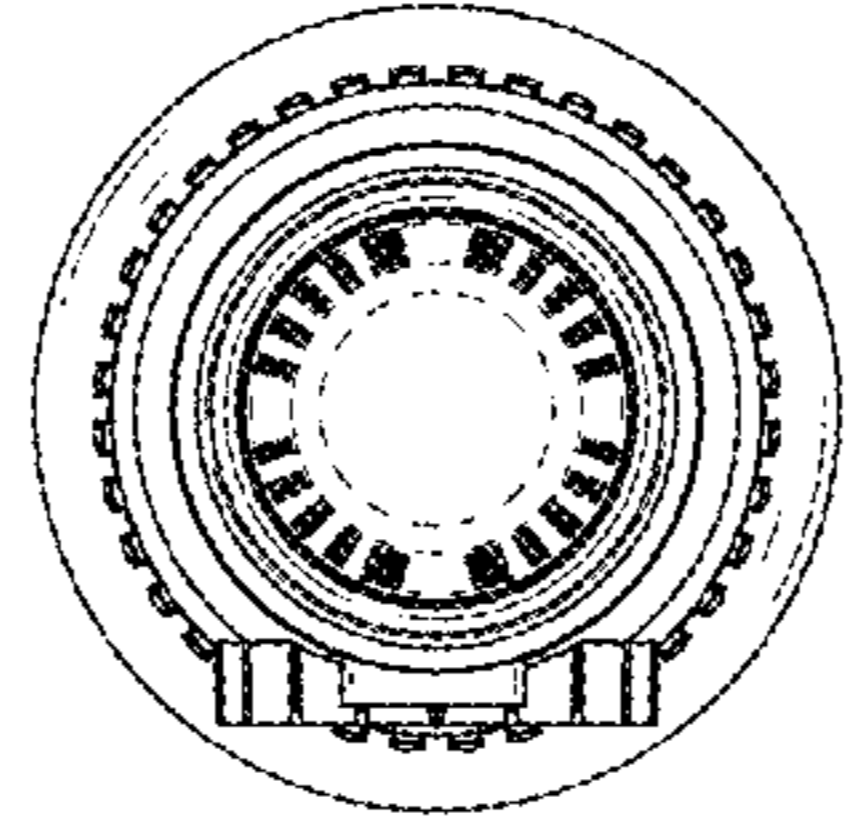


FIG. 7

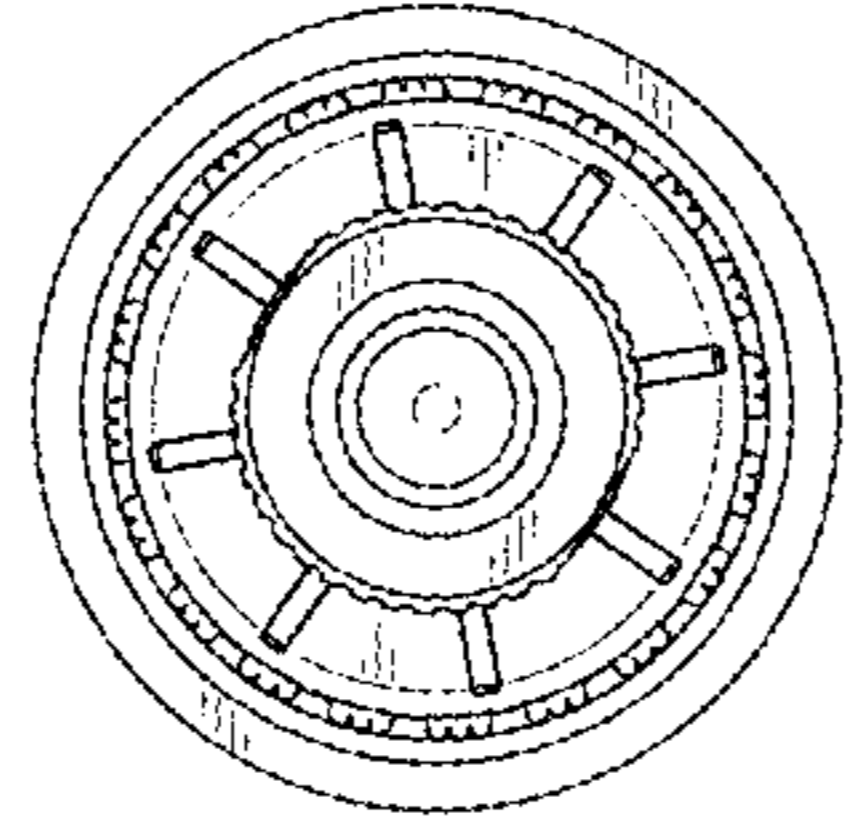


FIG. 8

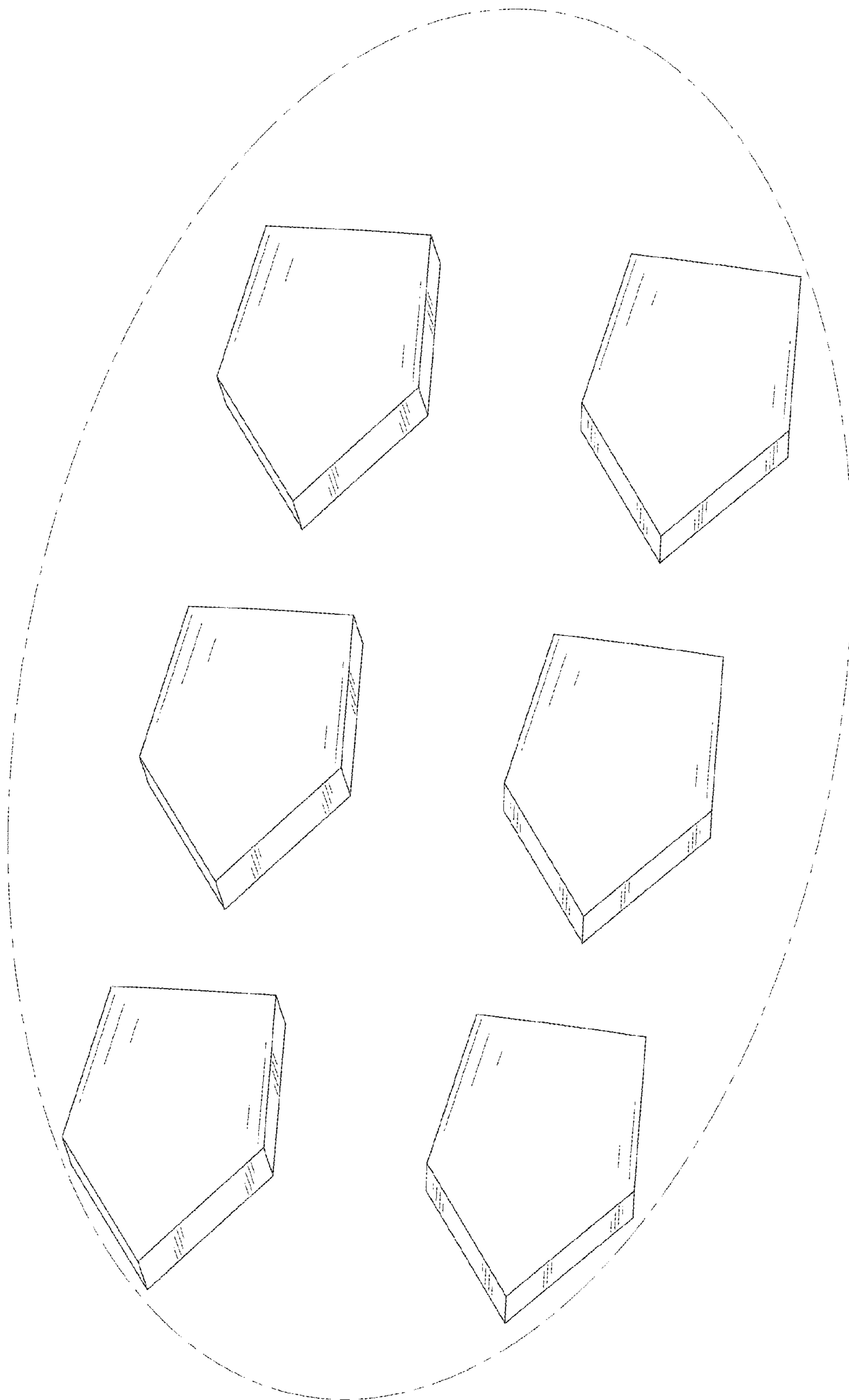


FIG. 9

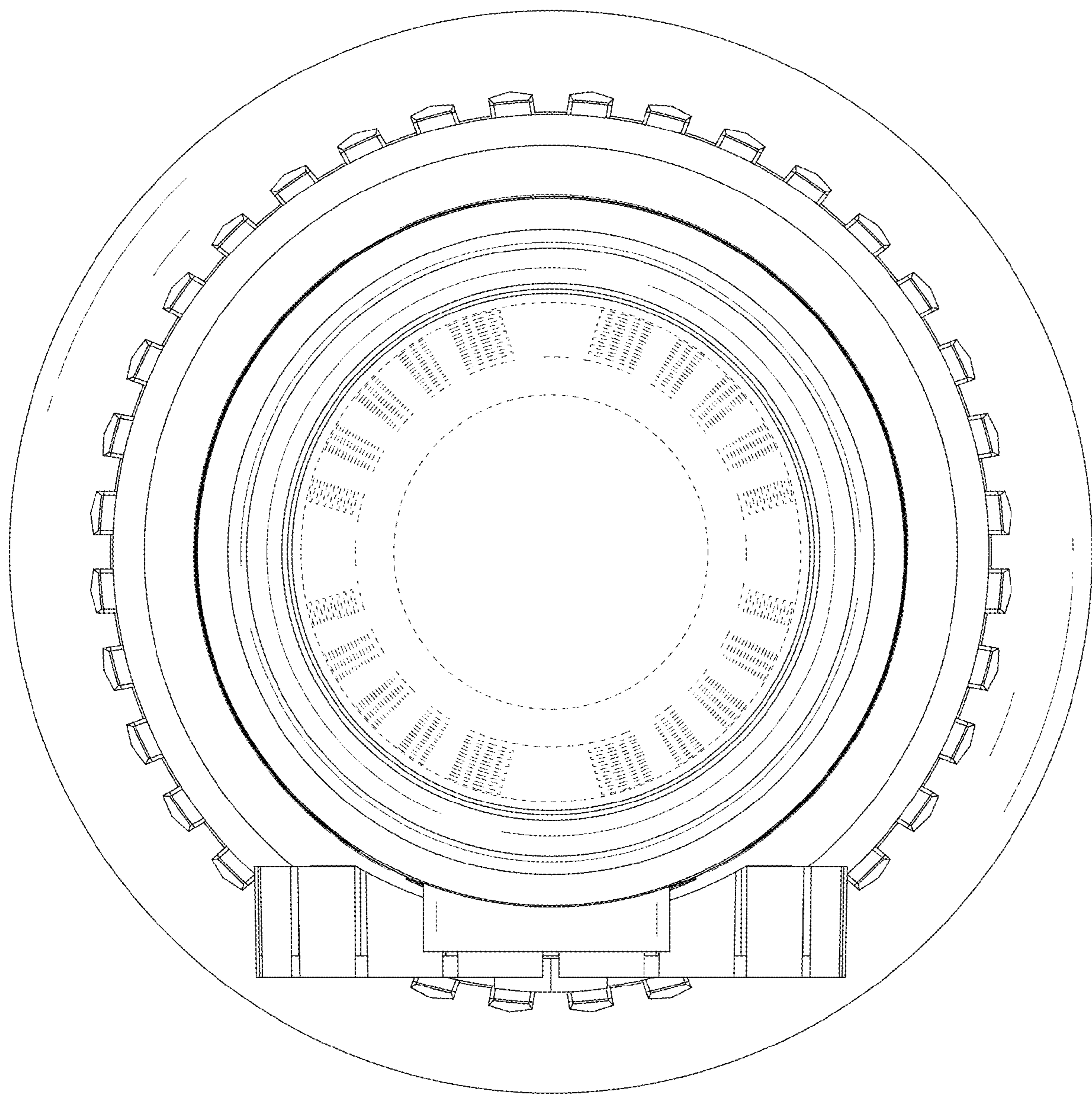


FIG. 10

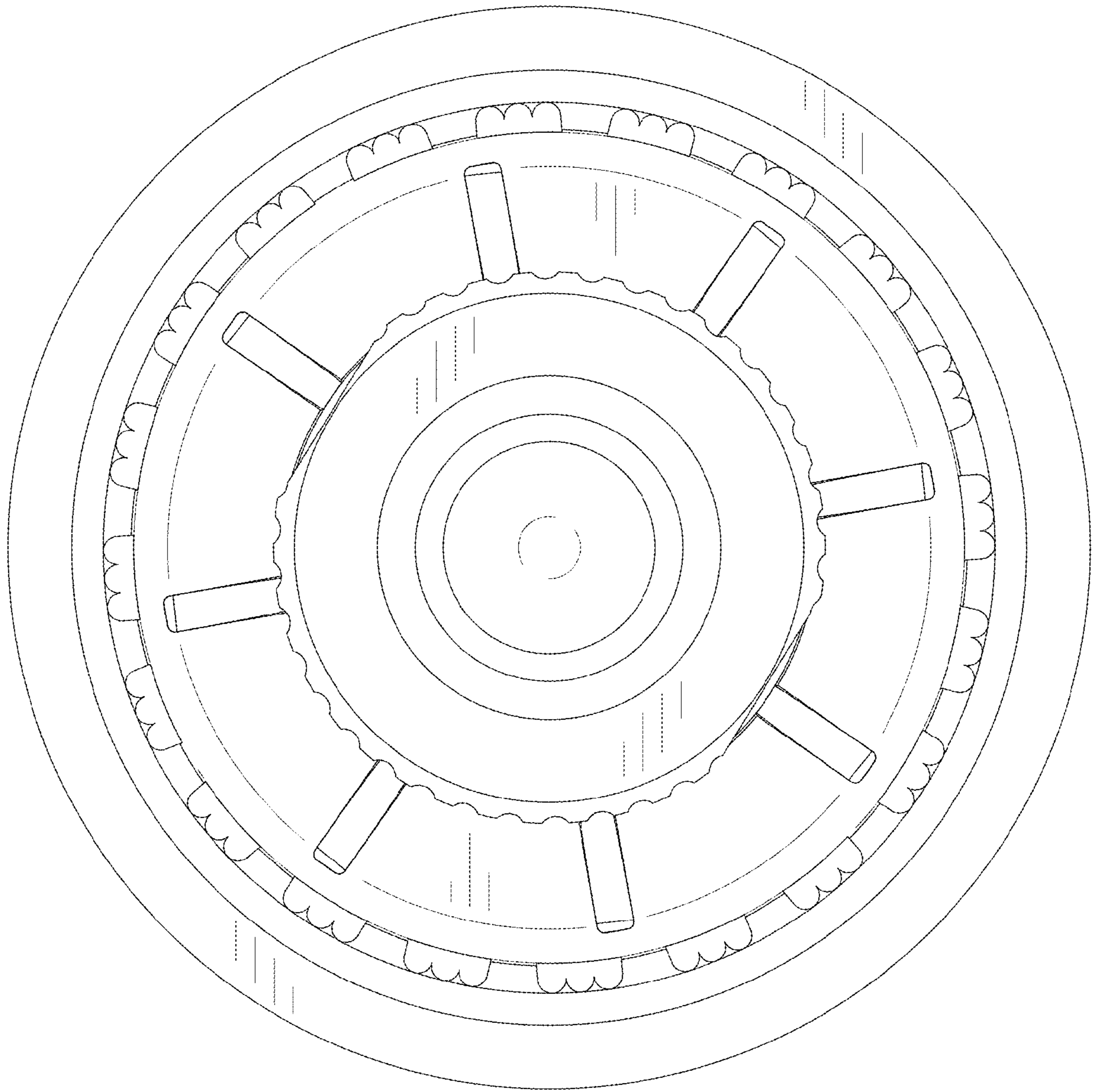


FIG. 11