

US00D968918S

(12) **United States Design Patent** (10) **Patent No.:** **US D968,918 S**
Moore (45) **Date of Patent:** **** Nov. 8, 2022**

(54) **RECIPROCATING SAW BLADE**
(71) Applicant: **Duan Moore**, Orlando, FL (US)
(72) Inventor: **Duan Moore**, Orlando, FL (US)
(73) Assignee: **Duan Moore**, Orlando, FL (US)

(**) Term: **15 Years**

(21) Appl. No.: **29/787,522**

(22) Filed: **Jun. 7, 2021**

(51) **LOC (13) Cl.** **08-03**

(52) **U.S. Cl.**
USPC **D8/20**

(58) **Field of Classification Search**
USPC D8/20, 65, 95, 96; D15/133
CPC B27B 19/006; B23D 51/10; B23D 61/006;
B23D 61/12; B23D 61/123
See application file for complete search history.

(56) **References Cited**

U.S. PATENT DOCUMENTS

2,365,301	A *	12/1944	Shortell	B23D 61/126
					144/133.1
3,929,050	A *	12/1975	Salzwedel	B23D 61/121
					83/848
4,236,432	A *	12/1980	Kawakami	B23D 61/12
					83/835
D322,020	S *	12/1991	Grachan	D8/69
D687,276	S *	8/2013	Ji	D8/20
D706,099	S *	6/2014	Neitzell	D8/20

D729,600	S *	5/2015	Kazda	D8/20
D744,794	S *	12/2015	Elliston	B23D 61/128
					D8/20
D911,796	S *	3/2021	Chollet	D8/20
2013/0032016	A1 *	2/2013	Butzen	B23D 61/125
					83/697

* cited by examiner

Primary Examiner — Calvin E Vansant
Assistant Examiner — Benjamin Lucas Gray
(74) *Attorney, Agent, or Firm* — Andrew S. Rapacke

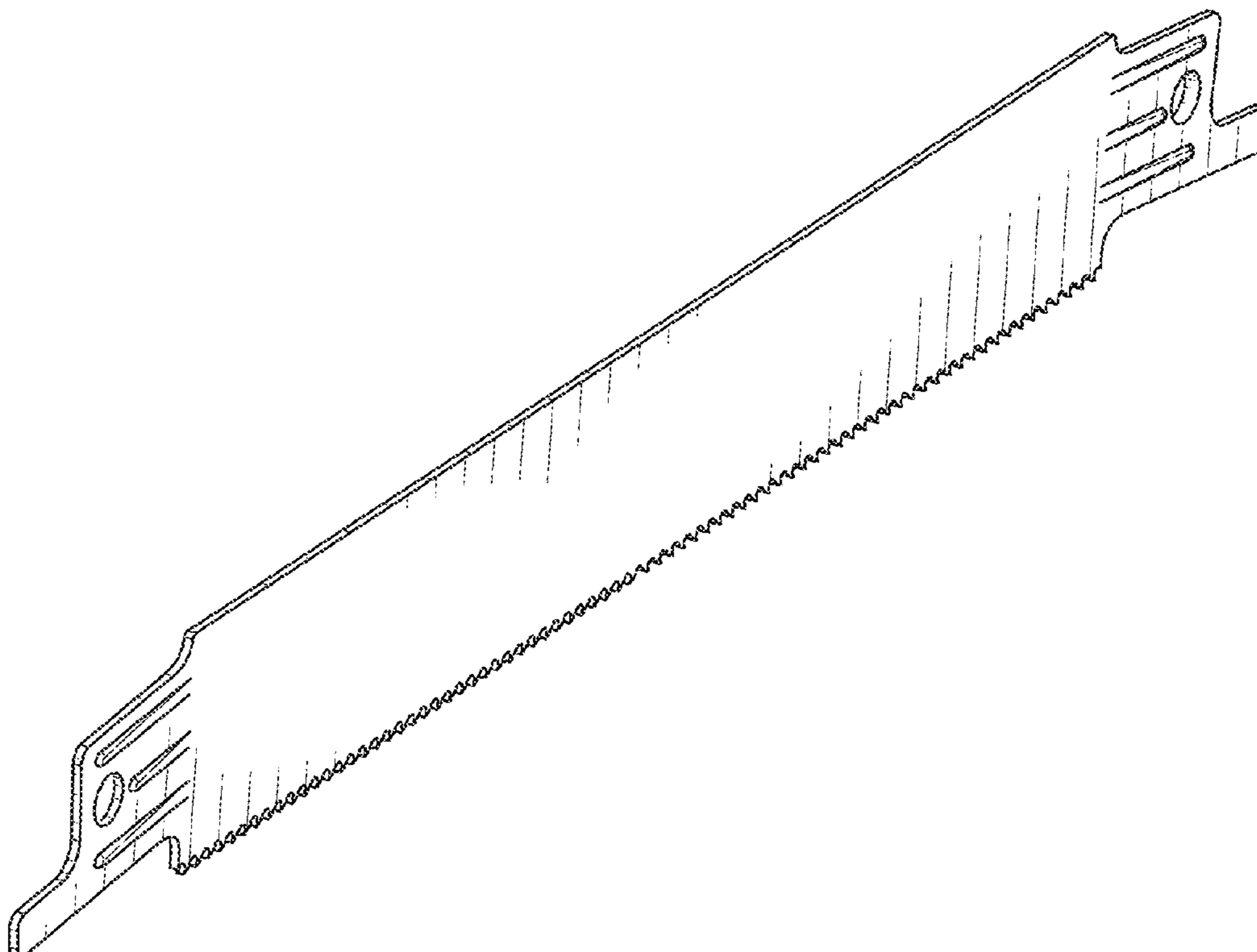
(57) **CLAIM**

The ornamental design for a reciprocating saw blade, as shown and described.

DESCRIPTION

FIG. 1 is a perspective view of the reciprocating saw blade, showing the new design;
FIG. 2 is a front elevational view of the reciprocating saw blade thereof;
FIG. 3 is a rear elevational view of the reciprocating saw blade thereof;
FIG. 4 is a left side elevational view of the reciprocating saw blade thereof;
FIG. 5 is a right side elevational view of the reciprocating saw blade thereof;
FIG. 6 is a top plan view of the reciprocating saw blade thereof; and,
FIG. 7 is a bottom plan view of the reciprocating saw blade thereof.

1 Claim, 3 Drawing Sheets



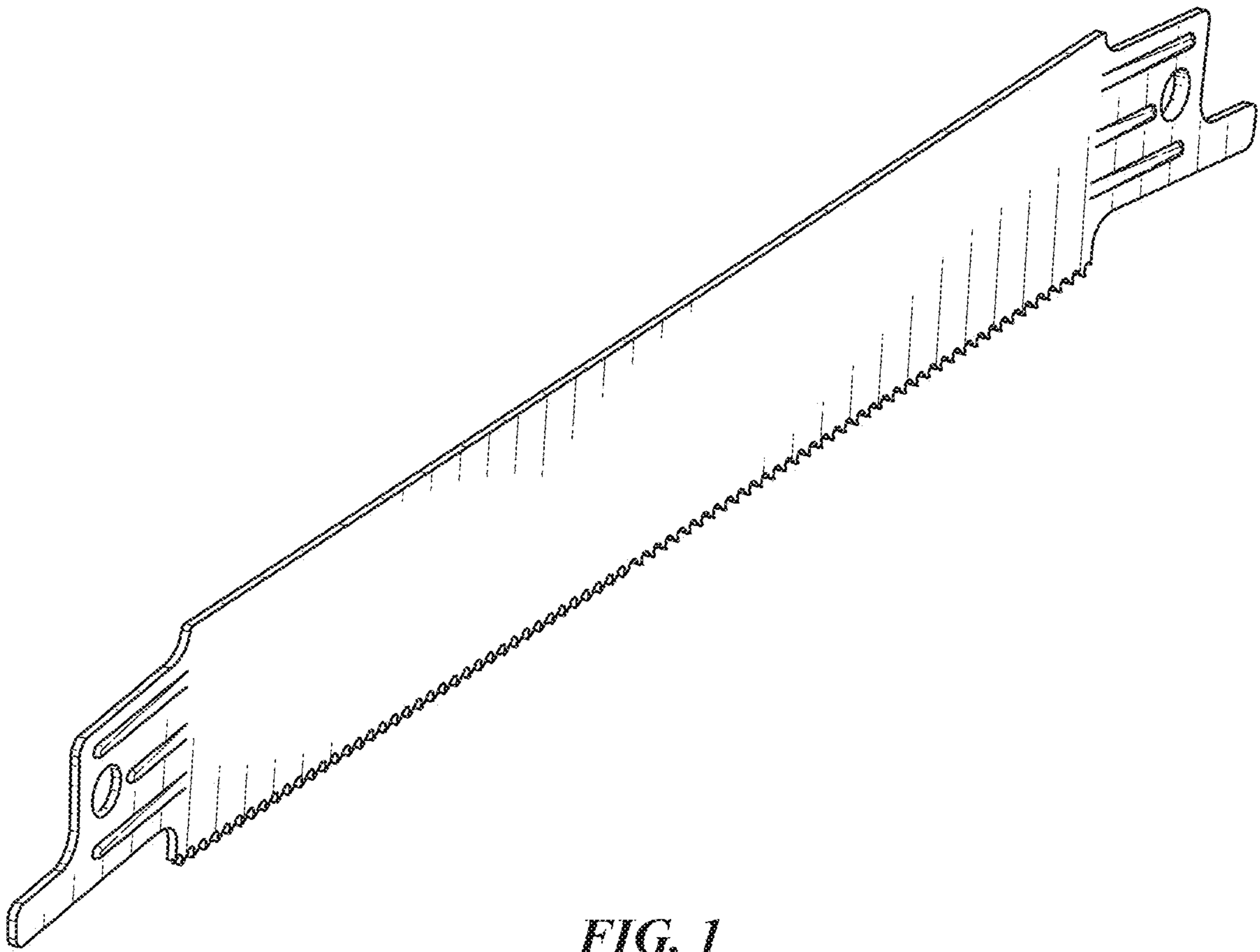


FIG. 1

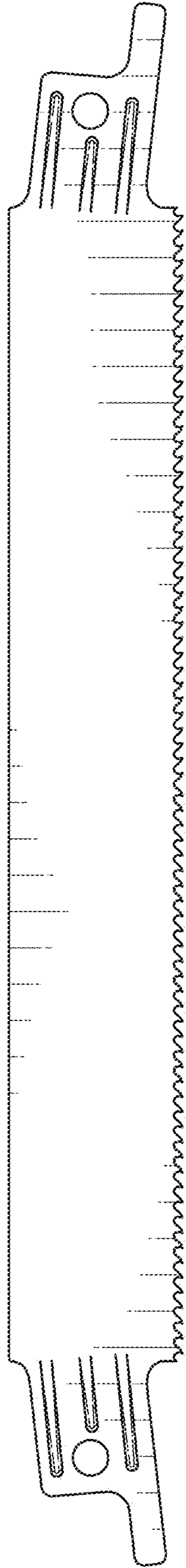


FIG. 2

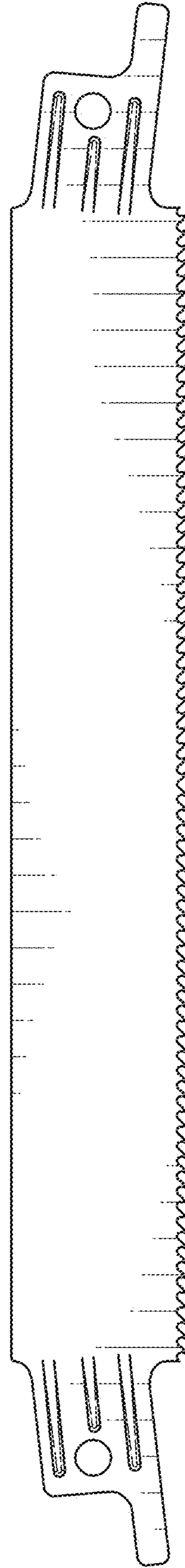


FIG. 3

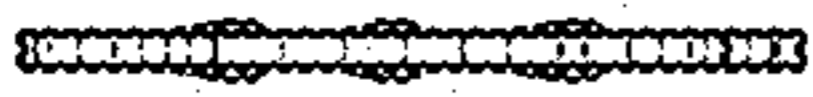


FIG. 4

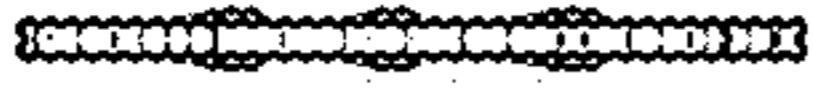


FIG. 5

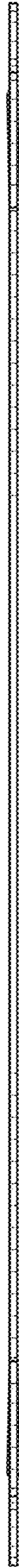


FIG. 6



FIG. 7