

US00D968917S

(12) **United States Design Patent**
Hsu et al.

(10) **Patent No.:** **US D968,917 S**

(45) **Date of Patent:** **** Nov. 8, 2022**

(54) **HAND-HELD SPREADER**

(71) Applicant: **OMS Investments, Inc.**, Los Angeles, CA (US)

(72) Inventors: **Paul E. Hsu**, Lewis Center, OH (US);
Ryan R. Berger, Columbus, OH (US);
Chris C. Cicenas, Etna, OH (US);
Daniel Wisniewski, Columbus, OH (US)

(73) Assignee: **OMS Investments, Inc.**, Los Angeles, CA (US)

(**) Term: **15 Years**

(21) Appl. No.: **29/819,058**

(22) Filed: **Dec. 13, 2021**

Related U.S. Application Data

(62) Division of application No. 29/779,328, filed on Apr. 19, 2021, now Pat. No. Des. 938,239, which is a division of application No. 29/672,819, filed on Dec. 10, 2018, now Pat. No. Des. 916,569.

(51) **LOC (13) Cl.** **08-01**

(52) **U.S. Cl.**
USPC **D8/2; D15/13**

(58) **Field of Classification Search**
USPC D8/2; D15/13
CPC A01C 15/02; A01C 15/00; A01C 15/04;
A01C 15/006; A01C 7/00; A01C 7/02;
E01H 10/007; E01C 2019/206; E01C
19/203; E01C 19/205
See application file for complete search history.

(56) **References Cited**

U.S. PATENT DOCUMENTS

5,123,598 A * 6/1992 Courtney A01C 7/02
239/526
D327,823 S * 7/1992 Demarest D15/13

D333,951 S * 3/1993 Courtney D8/2
5,285,971 A * 2/1994 Havlovitz A01C 15/02
239/526
D387,638 S * 12/1997 DeLaby D8/2
D534,044 S * 12/2006 Zak D15/13
D796,922 S * 9/2017 Hsu D15/13
D823,655 S * 7/2018 Dubiel D15/13
D834,901 S * 12/2018 Dubiel D8/2
D855,421 S * 8/2019 Hsu D15/13
D893,270 S * 8/2020 Hsu D15/13
D896,042 S * 9/2020 Knight D8/2
D896,599 S * 9/2020 Knight D8/2
D897,166 S * 9/2020 Knight D8/2
D901,996 S * 11/2020 Knight D8/2
D915,847 S * 4/2021 Sevrey D15/13
D916,569 S * 4/2021 Hsu D15/13
D938,239 S * 12/2021 Hsu D15/13

(Continued)

Primary Examiner — Mark A Goodwin

(74) *Attorney, Agent, or Firm* — Ulmer & Berne LLP

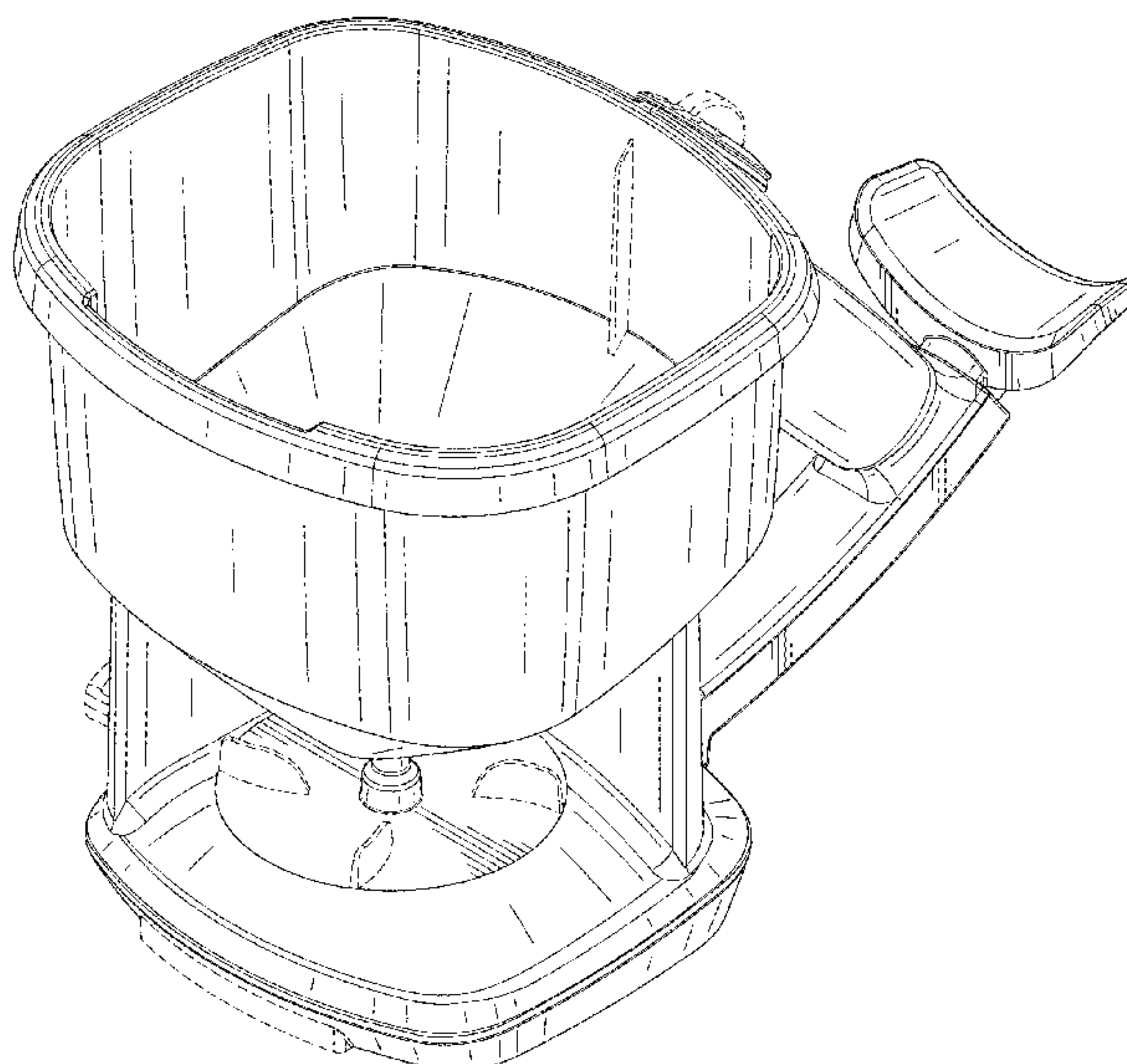
(57) **CLAIM**

The ornamental design of a hand-held spreader, as shown and described.

DESCRIPTION

FIG. 1 is a top isometric view of an embodiment of a hand-held spreader illustrating the new design; FIG. 2 is a front elevational view thereof; FIG. 3 is a back elevational view thereof; FIG. 4 is a right side elevational view thereof; FIG. 5 is a left side elevational view thereof; FIG. 6 is a top planar view thereof; FIG. 7 is a bottom planar view thereof; and, FIG. 8 is a bottom isometric view thereof. The broken lines in the drawings are included for the purpose of illustrating portions of the hand-held spreader that form no part of the claimed design.

1 Claim, 8 Drawing Sheets



(56)

References Cited

U.S. PATENT DOCUMENTS

2006/0016918 A1* 1/2006 Sagol E01C 19/203
239/668
2017/0049042 A1* 2/2017 Hsu A01C 15/02

* cited by examiner

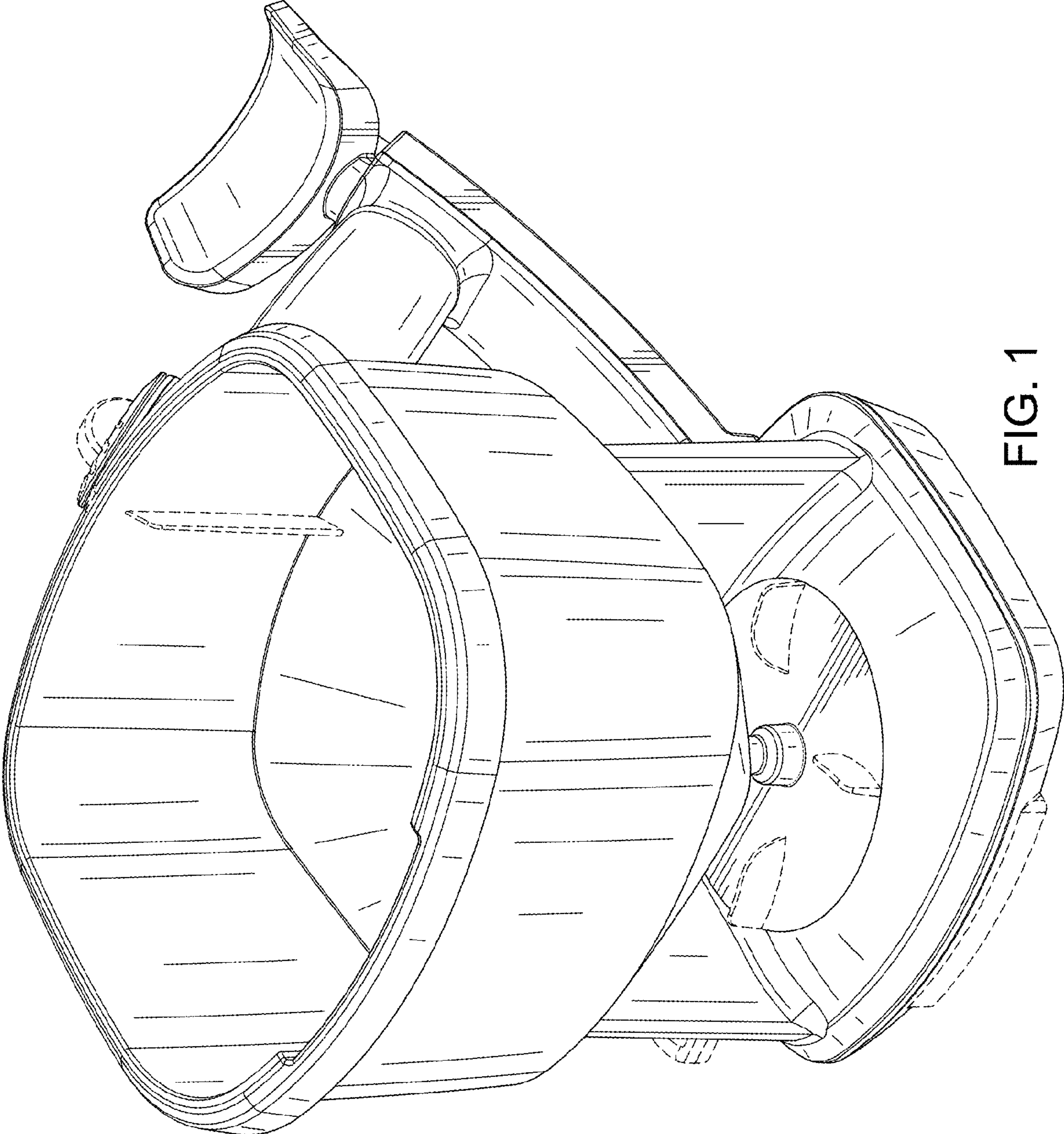


FIG. 1

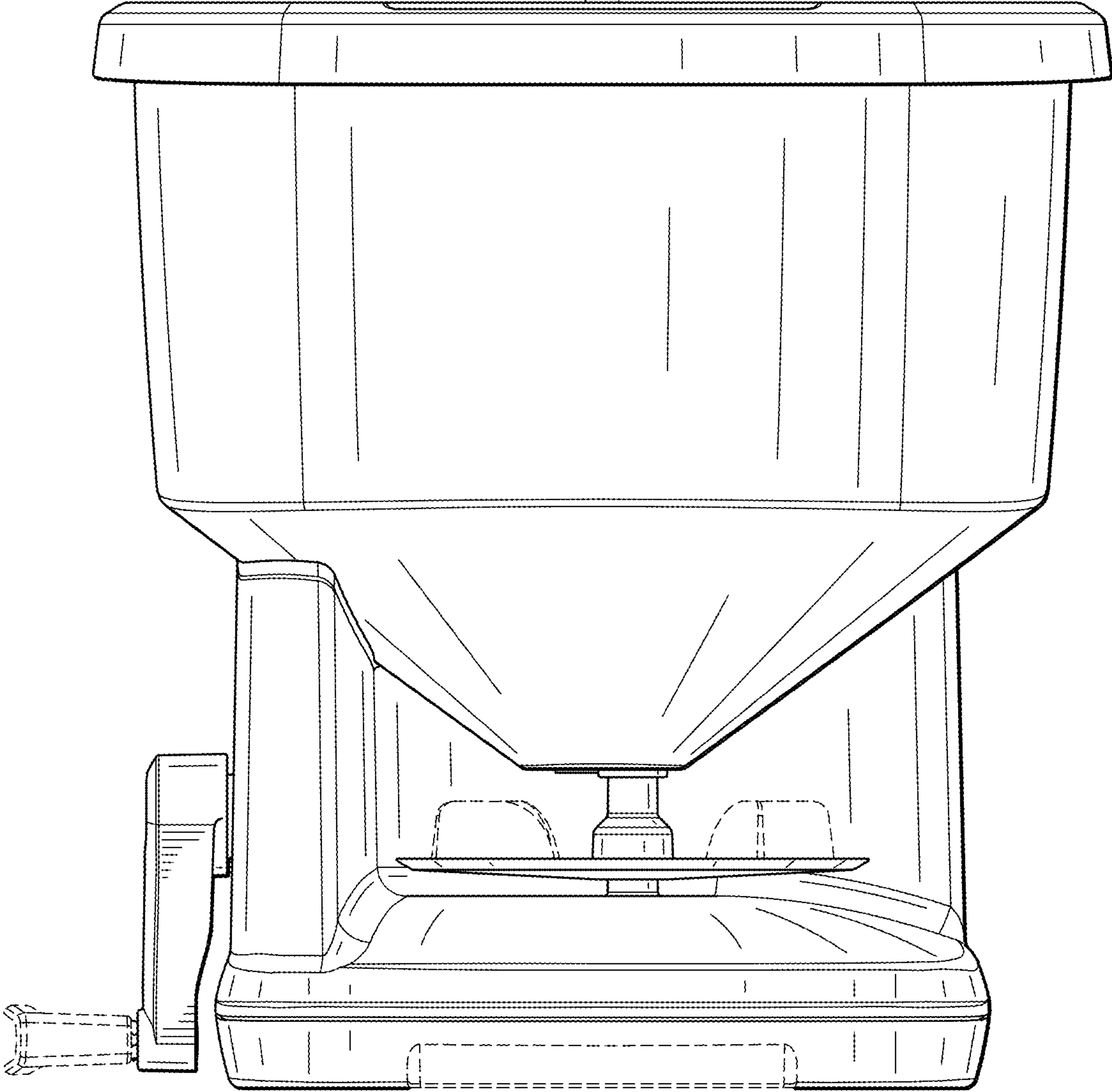


FIG. 2

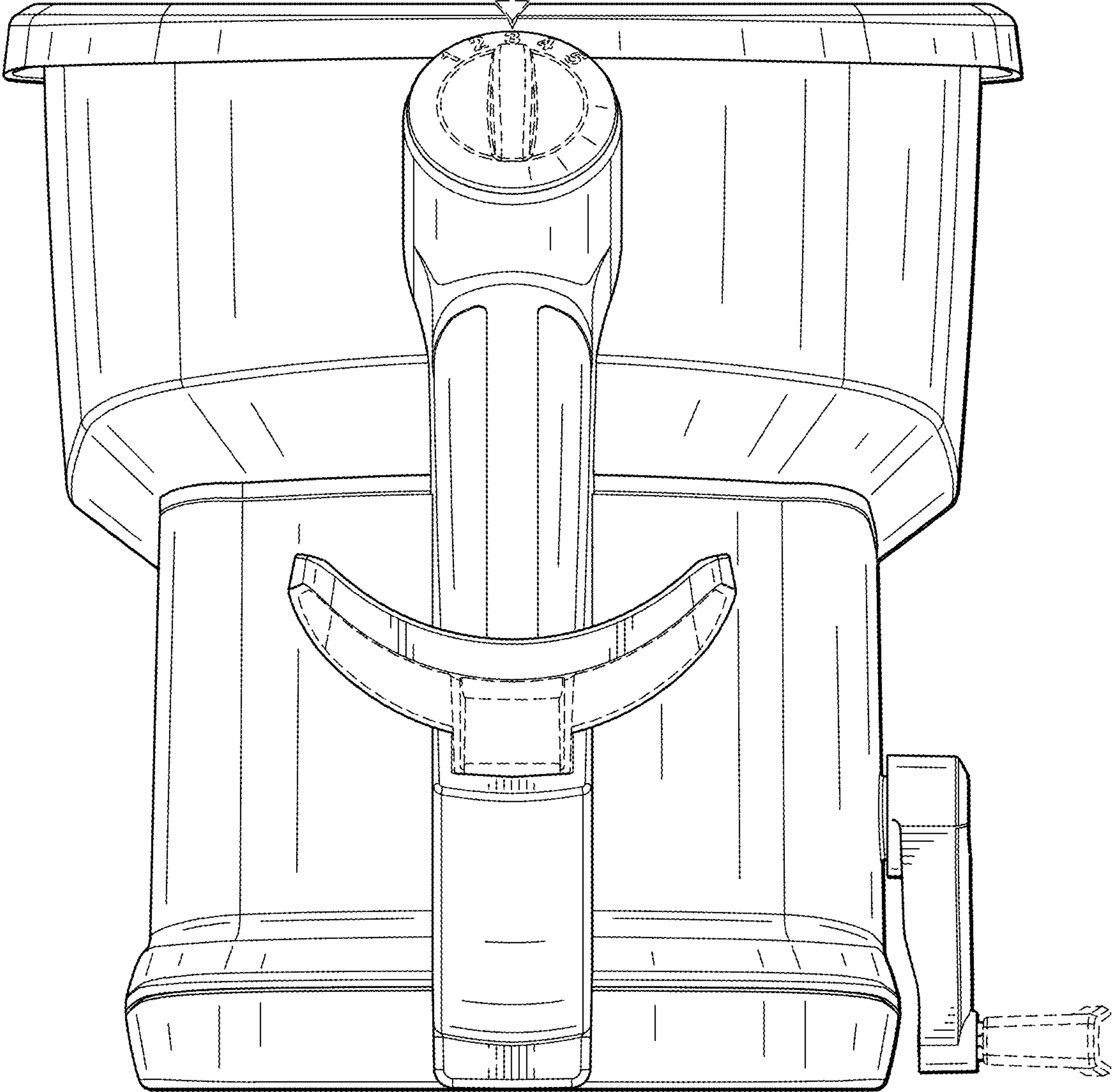


FIG. 3

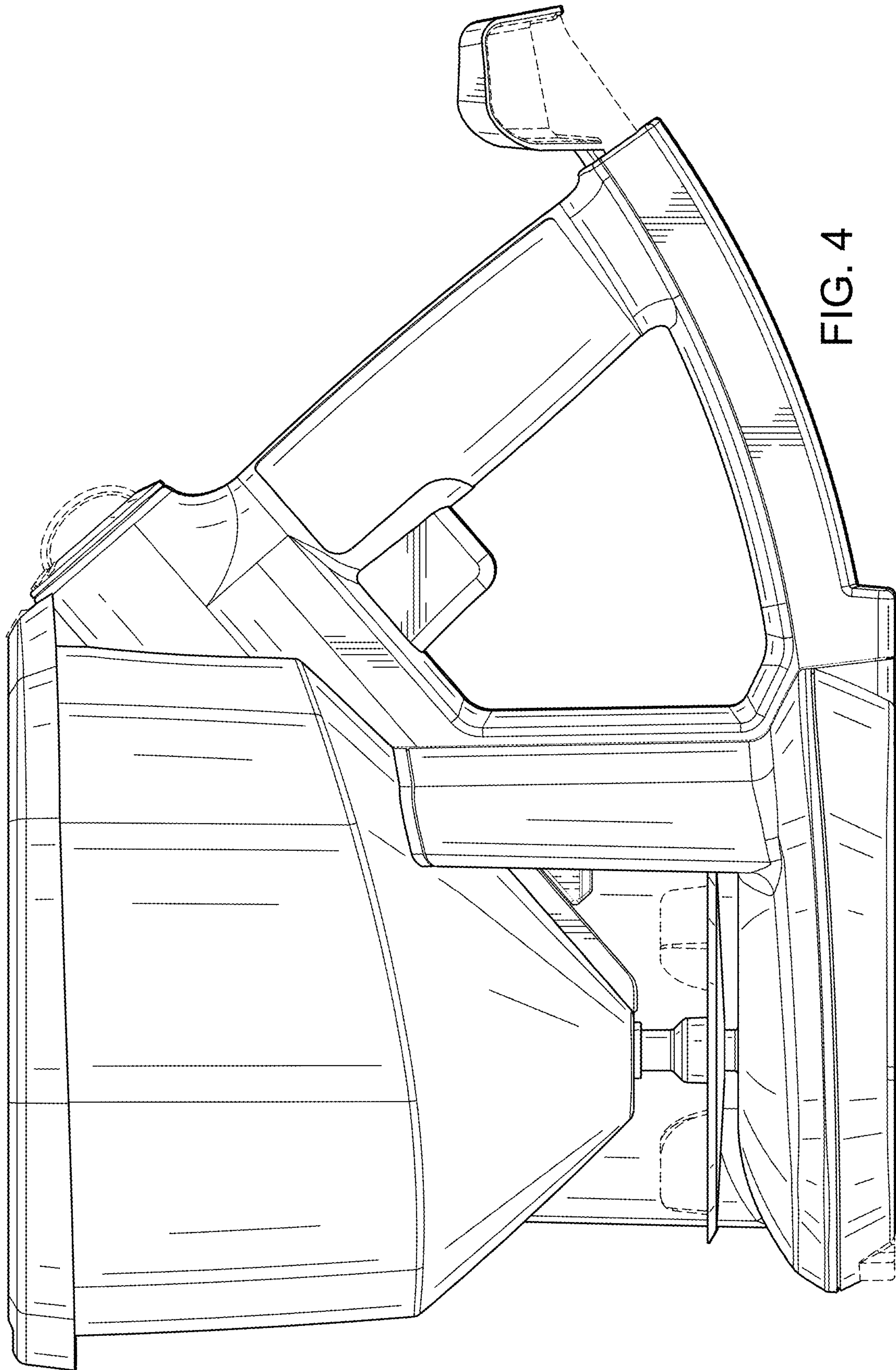


FIG. 4

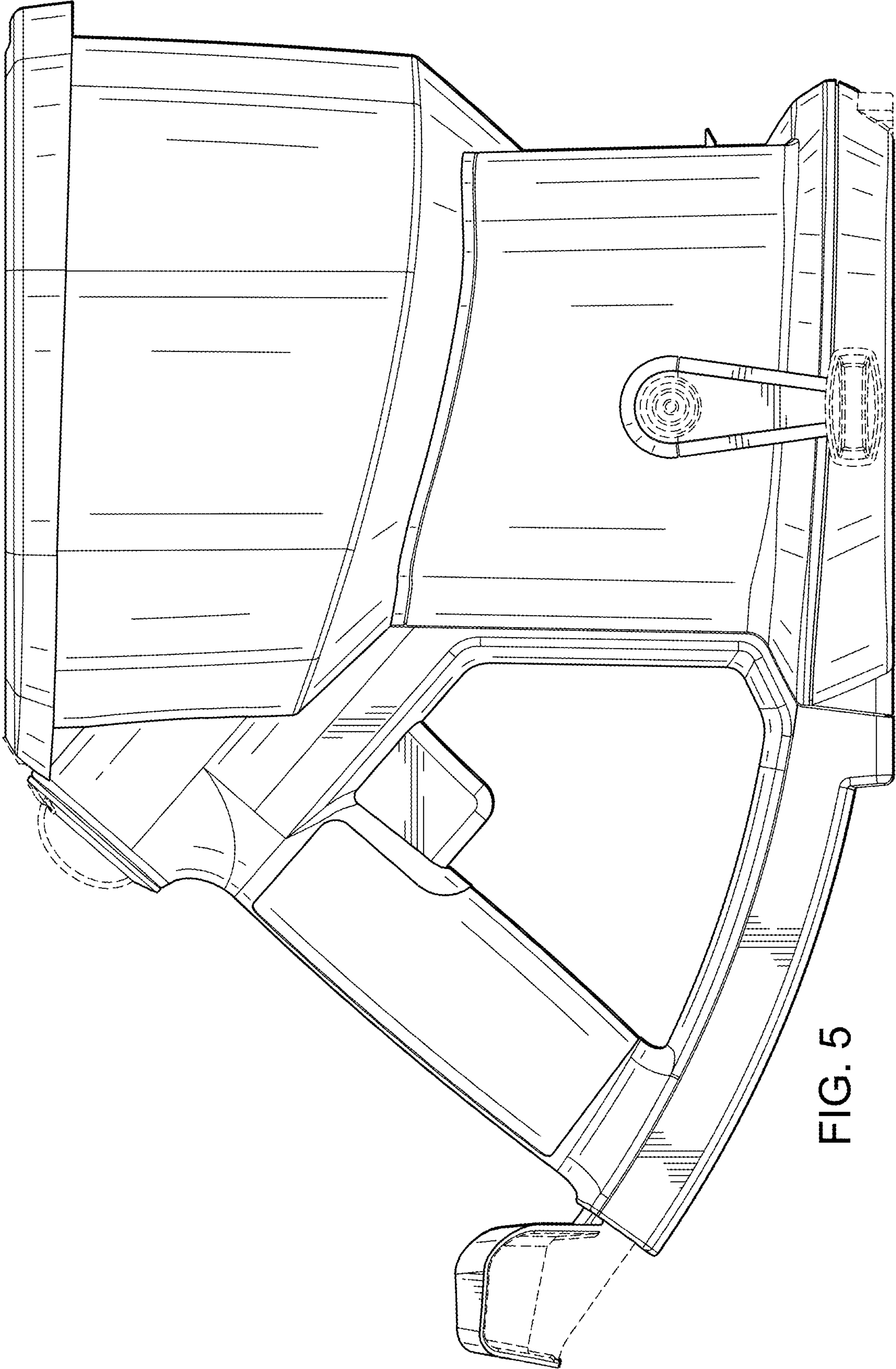


FIG. 5

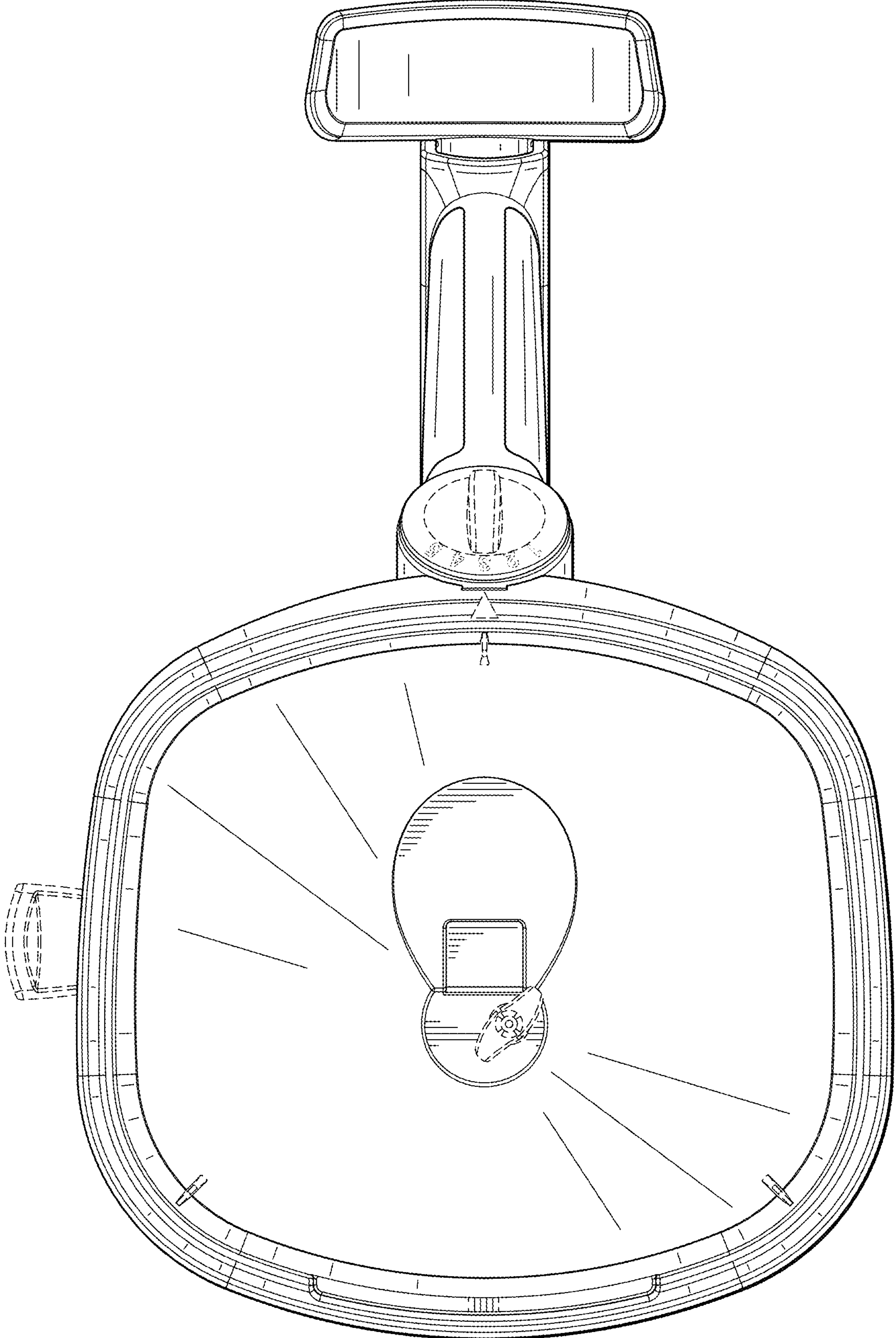


FIG. 6

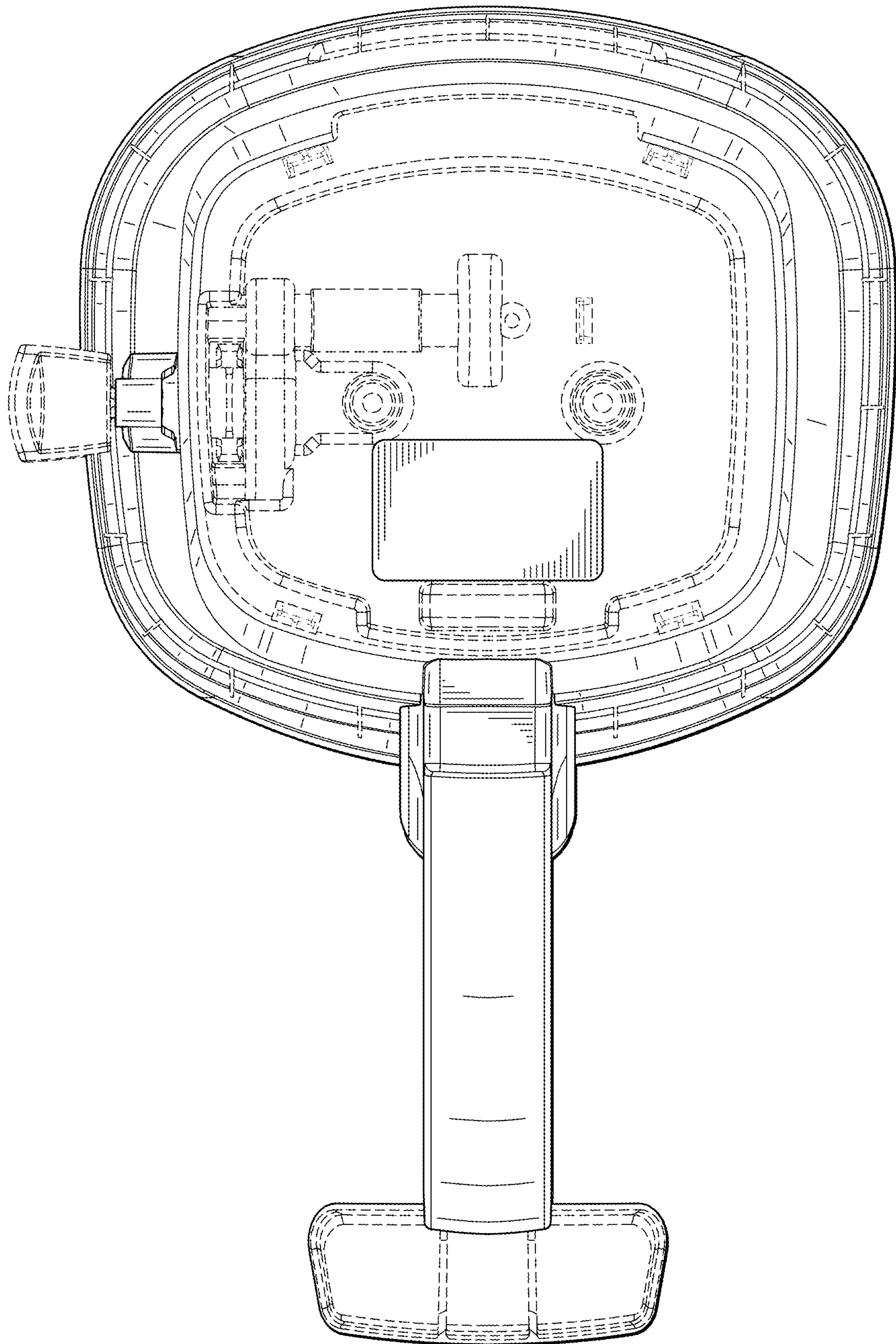


FIG. 7

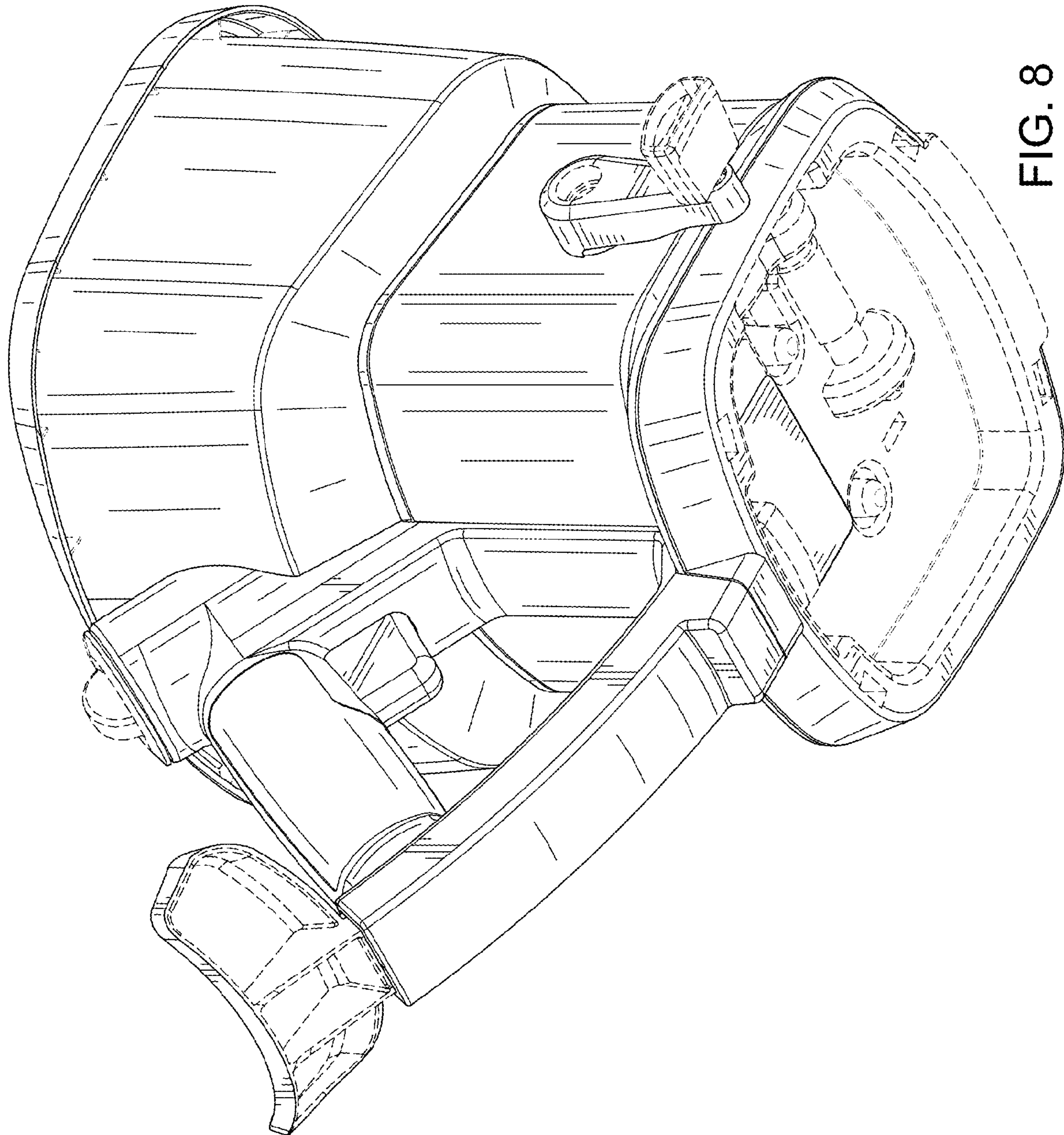


FIG. 8