



US00D968915S

(12) **United States Design Patent**
Li et al.

(10) **Patent No.:** **US D968,915 S**
(45) **Date of Patent:** **** Nov. 8, 2022**

(54) **CHEESE BOARD AND KNIFE HOLDER SET**

(71) Applicant: **Heycart, Inc.**, Irvine, CA (US)

(72) Inventors: **Tony Bao Li**, Irvine, CA (US); **Haomin Chien**, Irvine, CA (US)

(**) Term: **15 Years**

(21) Appl. No.: **29/791,104**

(22) Filed: **Dec. 29, 2021**

(51) **LOC (13) Cl.** **07-04**

(52) **U.S. Cl.**
USPC **D7/698**

(58) **Field of Classification Search**
USPC D7/398, 543, 549, 550.1, 554.3, 554.5,
D7/586, 698–699; D10/87; D32/55–57
CPC A47J 45/02; A47J 47/00; A47J 47/005;
A47J 47/20; B26D 7/0006; B26D 7/018;
B26D 7/20; B23D 21/00; B23K 37/04;
B23K 37/053; B23Q 16/001
See application file for complete search history.

(56) **References Cited**

U.S. PATENT DOCUMENTS

D238,135 S *	12/1975	Longobardi	D7/698
D327,200 S *	6/1992	Szablak	D7/550.1
D339,507 S *	9/1993	Ancona	D7/553.4
D364,072 S *	11/1995	Keable	D7/553.5
D505,347 S *	5/2005	Huang	D10/87
7,258,289 B1 *	8/2007	Butt	A47J 47/005
				241/101.1
D871,171 S *	12/2019	Xue	D7/698
D907,971 S *	1/2021	Whitlock	D7/698
D910,387 S *	2/2021	Bhargava	D7/698
D935,269 S *	11/2021	Xu	D7/398
D939,297 S *	12/2021	Li	D7/698
D939,298 S *	12/2021	Li	D7/698
2015/0076974 A1 *	3/2015	Schreiter	A47J 45/02
				312/140.4

OTHER PUBLICATIONS

SMIRLY Cheese Board and Knife Set—Charcuterie Board Set. Date First Available on Amazon.com Nov. 25, 2020. <https://www.amazon.com/dp/B08P4BGYJ7/ref> (Year: 2020).
Royal House Unique Bamboo Cheese Board and Knife Set Serving Tray for Crackers, Meat, and Wine—Wood Charcuterie Platter with Slide-Out Cutlery Drawer, Perfect Wedding and Housewarming Gift., Sep. 3, 2020, https://www.amazon.com/Serving%E2%80%9090Crackers%E2%80%9090Charcuterie%E2%80%9090Slide%E2%80%9090Out%E2%80%9090Housewarming/dp/B08HFP35Q8/ref=sr_1_10?keywords=cheese+board&qid=1638559459&sr=8%E2%80%9010.

(Continued)

Primary Examiner — Ricky Pham

(74) *Attorney, Agent, or Firm* — Cionca IP Law P.C.;
Marin Cionca

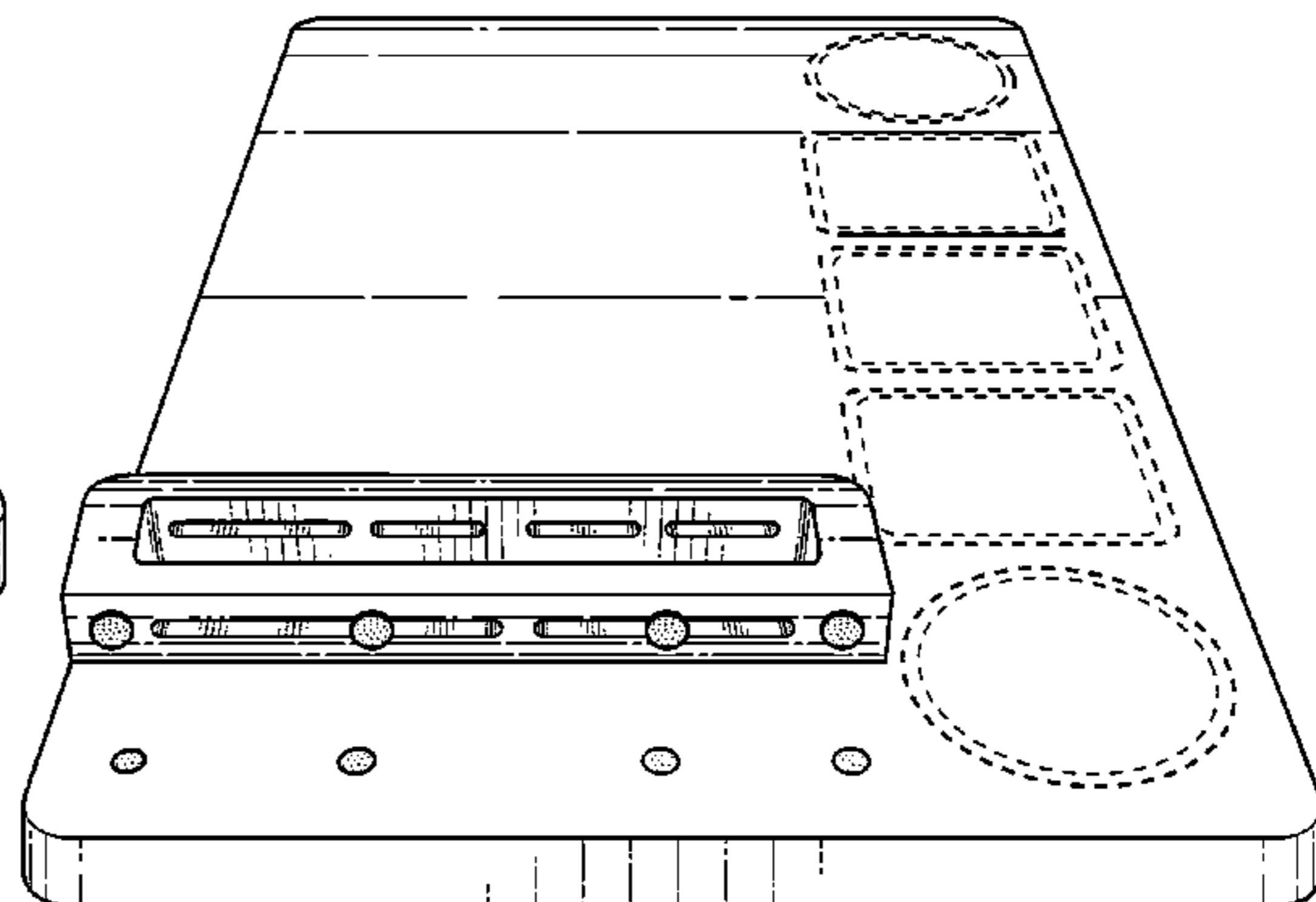
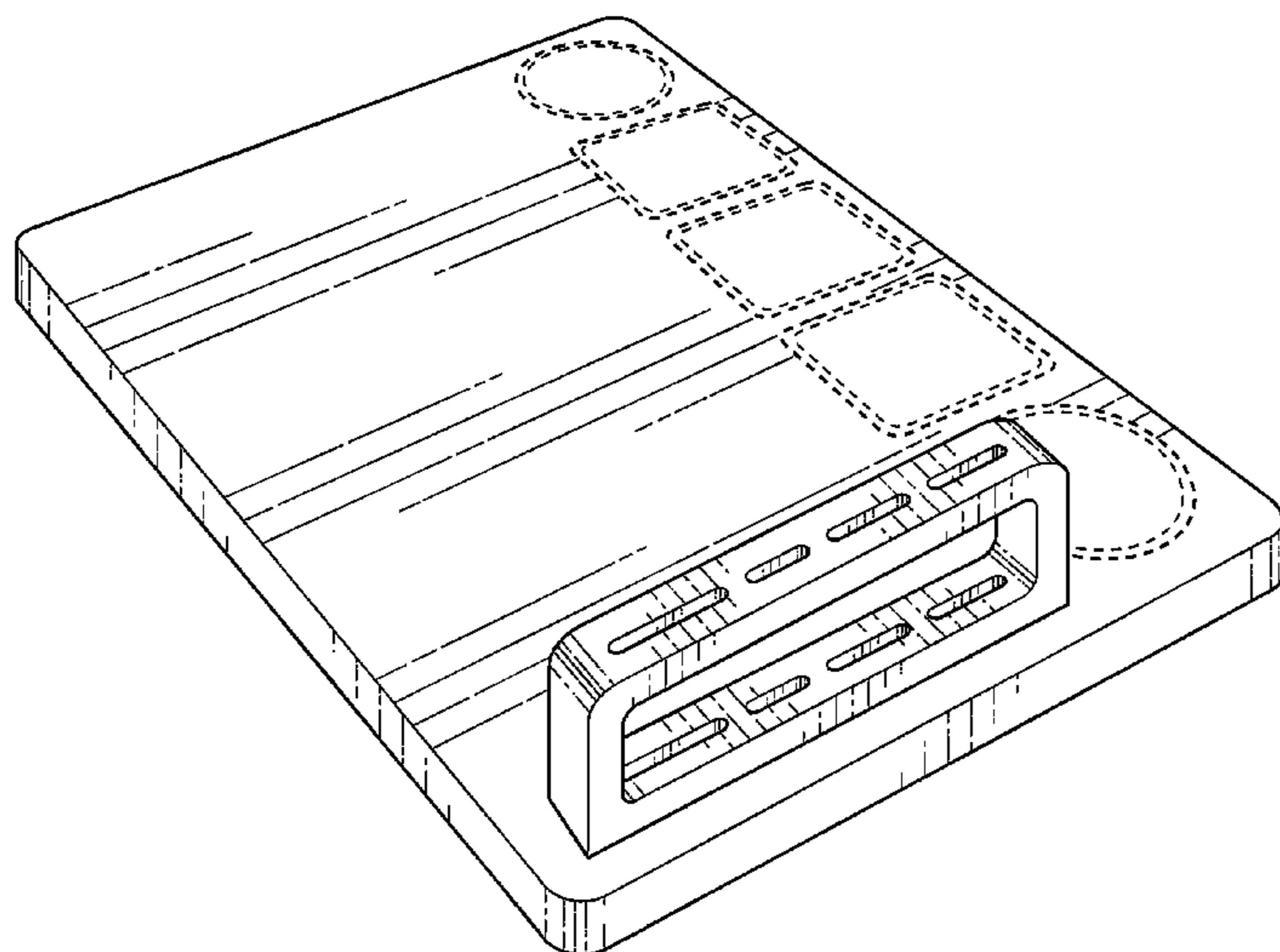
(57) **CLAIM**

The ornamental design for a cheese board and knife holder set, as shown and described.

DESCRIPTION

FIG. 1 is a perspective view of a cheese board and knife holder set showing the new design;
FIG. 2 is a top plan view thereof;
FIG. 3 is a right side elevation view thereof;
FIG. 4 left side elevation view thereof;
FIG. 5 is front elevation view thereof;
FIG. 6 is a rear elevation view thereof;
FIG. 7 is a perspective view of the cheese board and knife holder set with utensils; and,
FIG. 8 is perspective view with knife holder detached, showing the round magnetic elements disposed within the knife holder and corresponding round magnetic elements disposed within the cheese board.
The broken lines and unshaded surfaces bounded by broken lines form no part of the claimed design.

1 Claim, 6 Drawing Sheets



(56)

References Cited

OTHER PUBLICATIONS

HBlife Cheese Board & Knife Set Acacia Charcuterie Board 11"x14" Cheese Platter with 4 Stainless Steel Knife, House Warming Gift & Perfect Choice for Christmas Thanksgiving Wedding Charcuterie Platter, May 26, 2021, https://www.amazon.com/HBlife%E2%80%90Charcuterie%E2%80%90Stainless%E2%80%90Christmas%E2%80%90Thanksgiving/dp/B095WDFWX8/ref=sr_1_14?keywords=cheese+board&qid=1638559459&sr=8%E2%80%9014.
Royamy Bamboo Cheese Board Set with 3 Stainless Steel Knife, Meat Charcuterie Platter Serving Tray, Perfect Choice for Wedding Birthdays Christmas Anniversary Housewarming Kitchen Personalized Gift, Jul. 23, 2020 https://www.amazon.com/ROYAMY-Charcuterie-Anniversary-Housewarming-Personalized/dp/B088tjd3mx/ref=sr_1_14?dchild=1&keyword=cheese+board&qid=1634764407&qsid=134-4751665-3542462&sr=8-14&sres=B07WFD4NTP,B07S4D3LGF,B094G8W66D,B07T73WZS6,B07DL7ZV31,B084ZXF S8B,B01LZFRZWH,B0723B35QQ,B07QCM6HJ8,B088TJD3MX ,B078X12B3V,B08712HRT4,B08P4D95Y2,B07P5JSMXG,B08ZNCF8F5,B08LD8794S,B0928WXHLH,B08L67CDCW,B08PTXHW KW,B098KCVLF3&srpt=DISHWARE_PLATE.

* cited by examiner

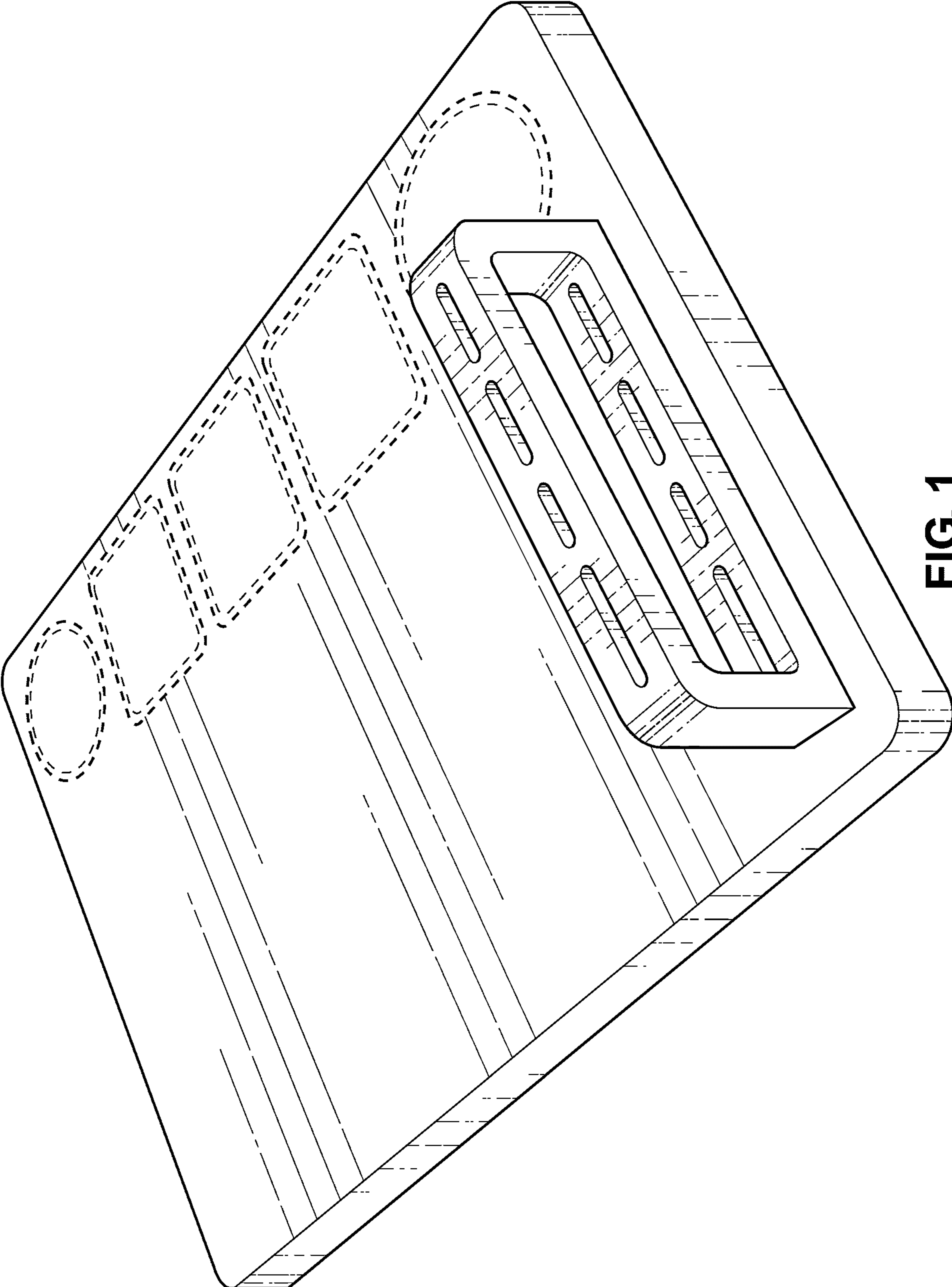


FIG. 1

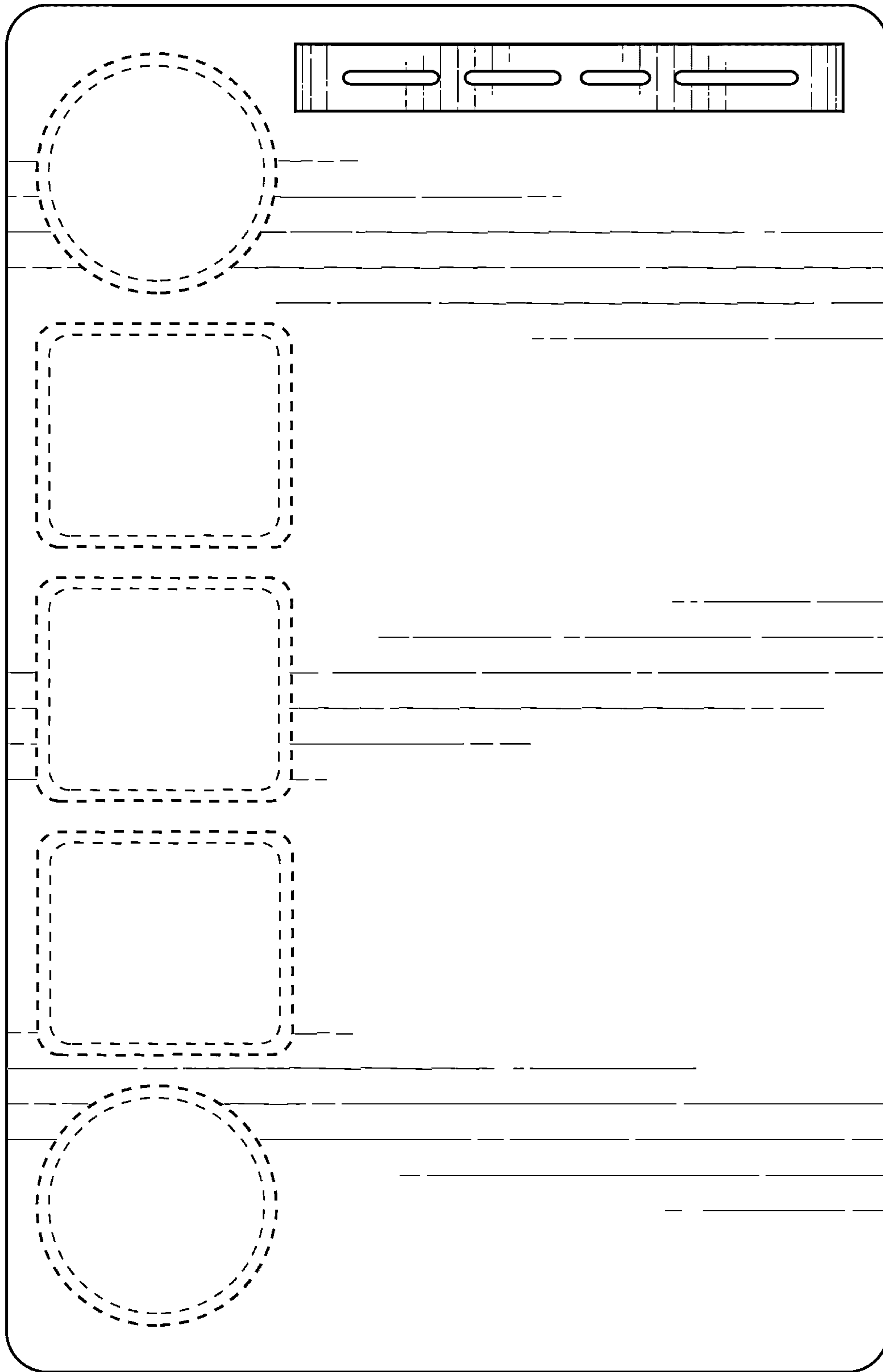


FIG. 2

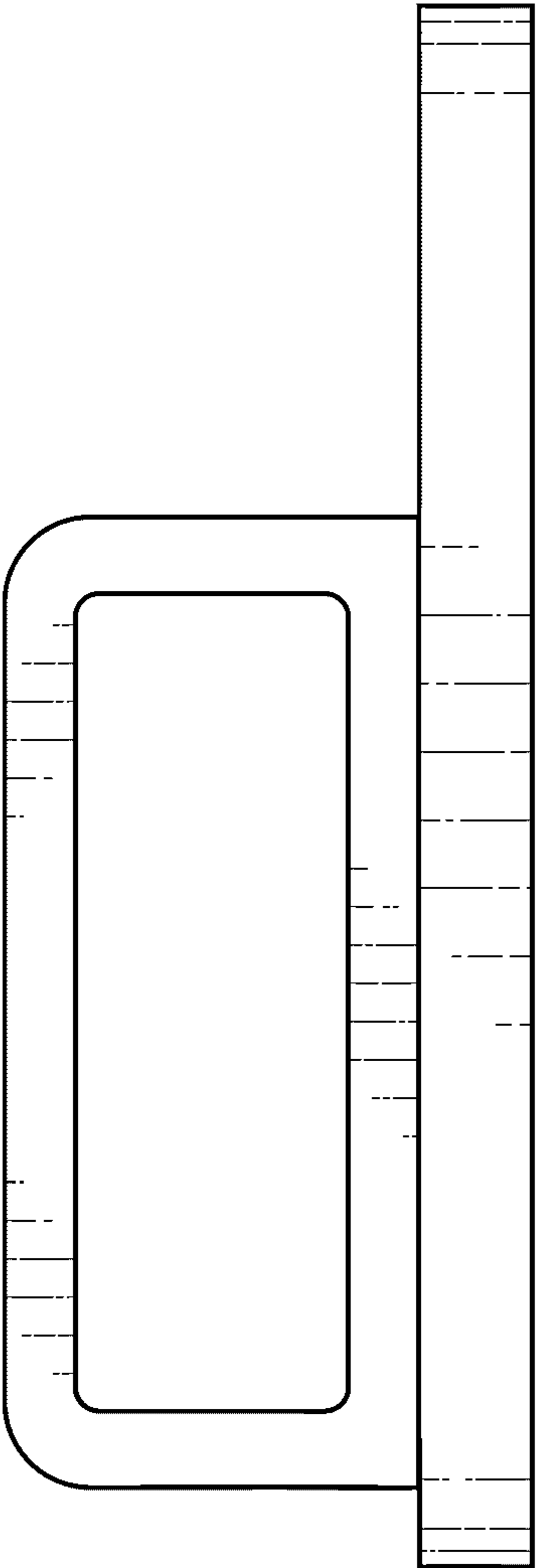


FIG. 3

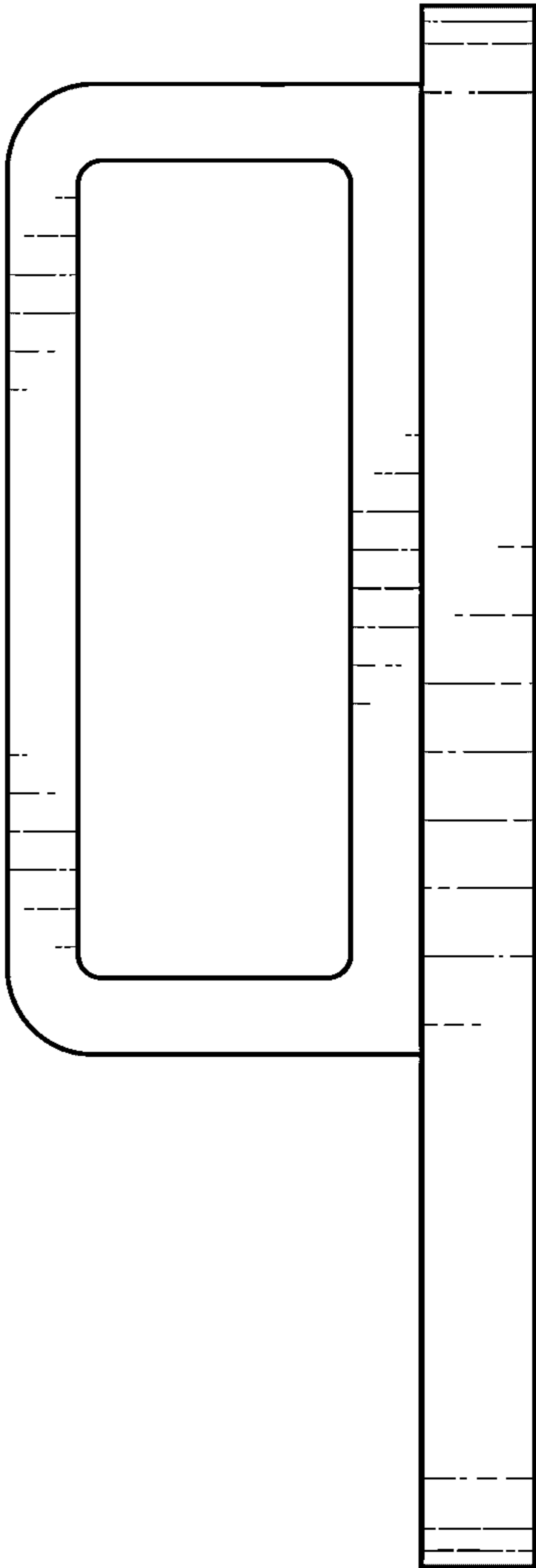


FIG. 4

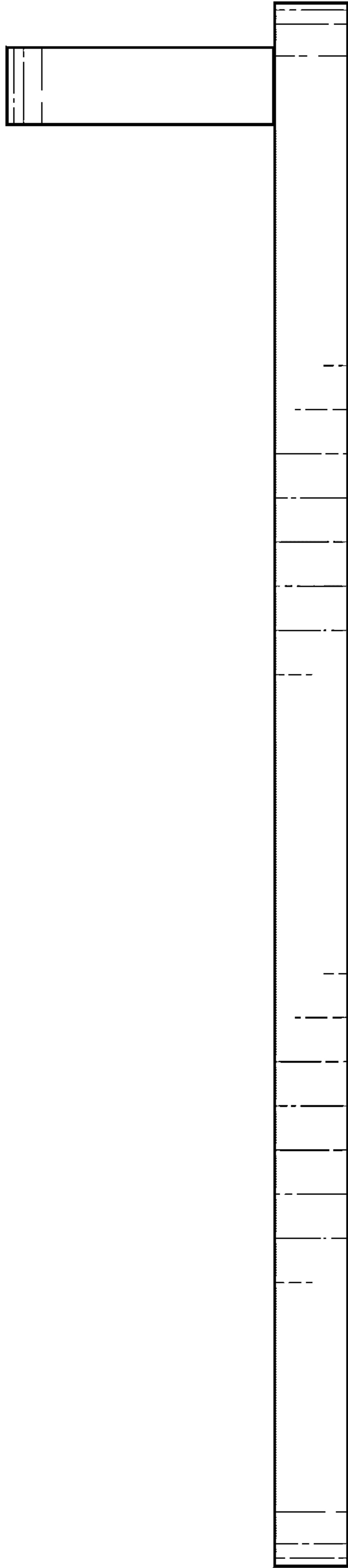


FIG. 5

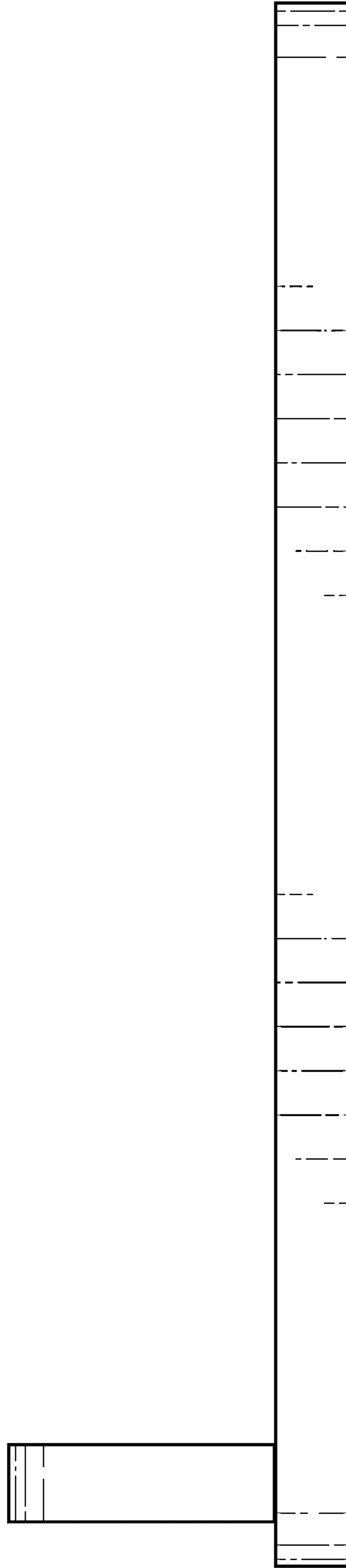


FIG. 6

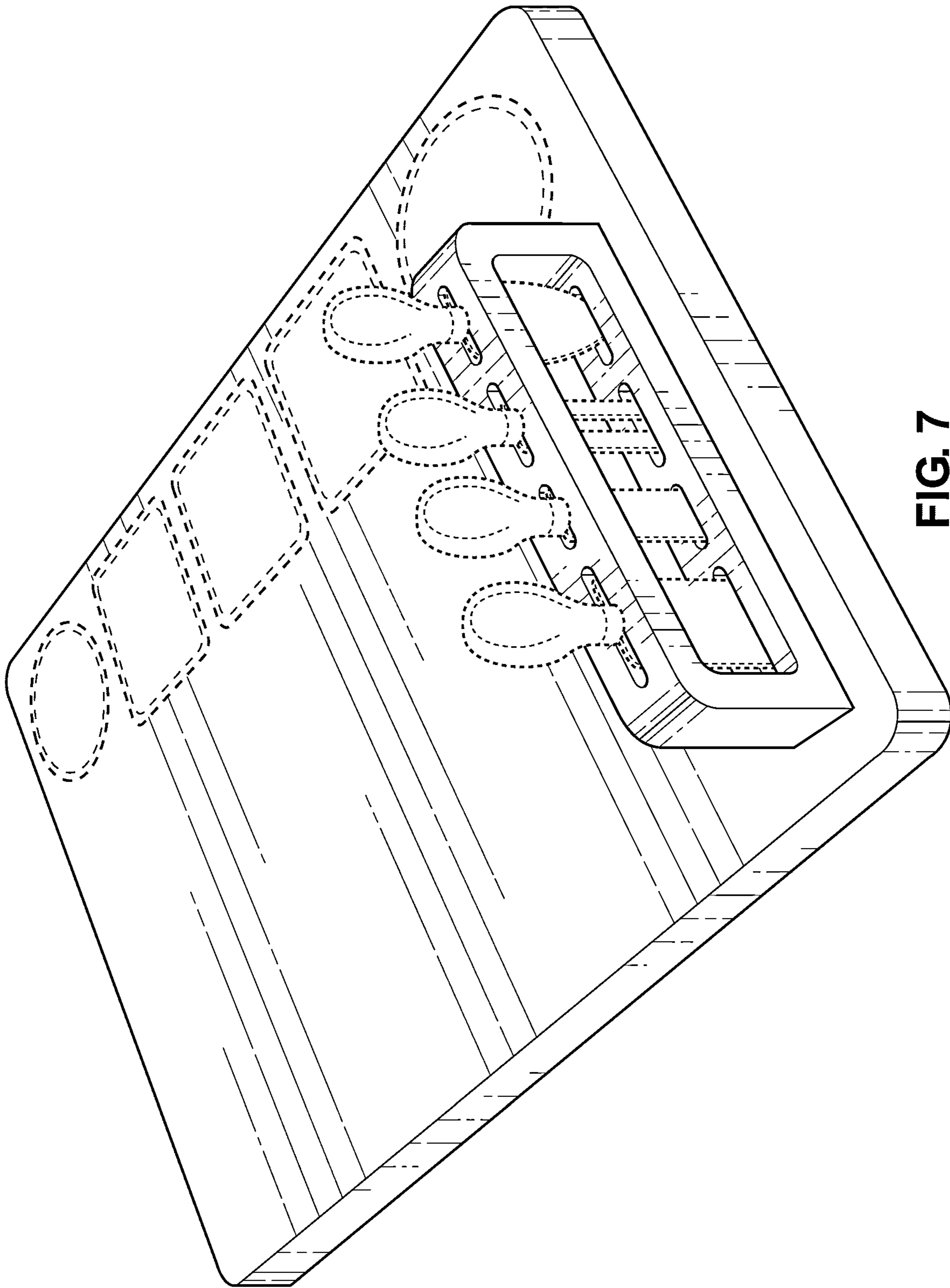


FIG. 7

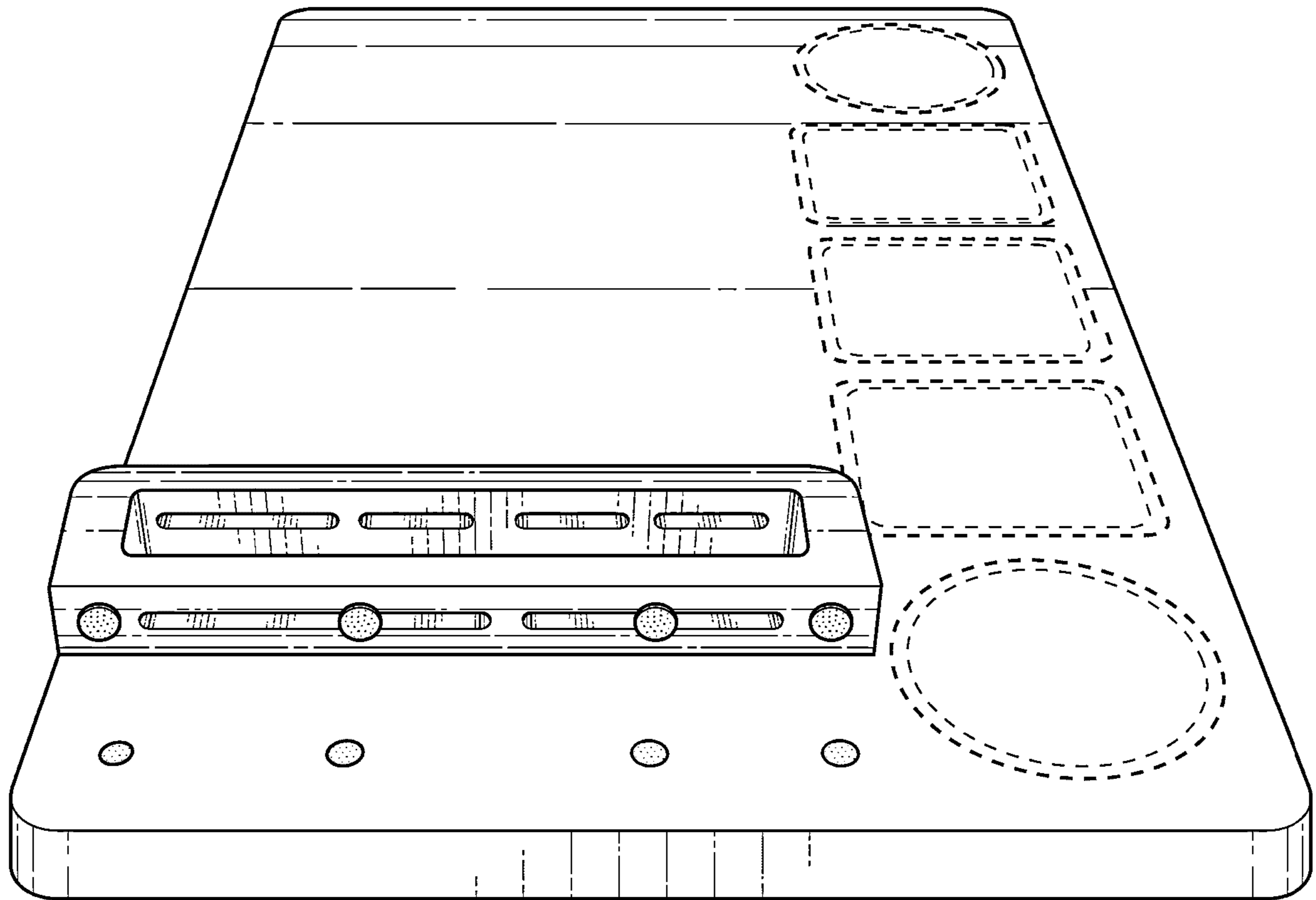


FIG. 8