



US00D968914S

(12) **United States Design Patent** (10) **Patent No.:** **US D968,914 S**
Seo (45) **Date of Patent:** **** Nov. 8, 2022**

- (54) **FRAME FOR MAKING EDIBLE ICE**
- (71) Applicant: **INTYCO Co., Ltd.**, Uiwang-si (KR)
- (72) Inventor: **Sang Jun Seo**, Seongnam-si (KR)
- (73) Assignee: **INTYCO Co., Ltd.**
- (**) Term: **15 Years**
- (21) Appl. No.: **29/843,355**
- (22) Filed: **Jun. 21, 2022**

Related U.S. Application Data

- (63) Continuation-in-part of application No. 29/766,973, filed on Jan. 20, 2021.

Foreign Application Priority Data

- (30) Jul. 23, 2020 (KR) 30-2020-0034092

- (51) **LOC (13) Cl.** **07-04**

- (52) **U.S. Cl.**
USPC **D7/672; D15/90**

- (58) **Field of Classification Search**
USPC D7/672-677, 357, 359, 409; D15/90;
D9/757
CPC A47J 43/20; A23P 30/10; A23G 9/221;
A23G 9/083
See application file for complete search history.

(56) **References Cited**

U.S. PATENT DOCUMENTS

D346,552 S *	5/1994	Krupa	D9/757
D368,414 S *	4/1996	VanHalteren	D7/675
D369,948 S *	5/1996	Tobiasz	D7/674
D604,100 S *	11/2009	Mishan	D7/409
D673,432 S *	1/2013	Augis	D7/672
D687,681 S *	8/2013	Barber	D7/674
D689,747 S *	9/2013	Zorovich	D7/672

D781,649 S *	3/2017	Fastabend	D7/412
D782,334 S *	3/2017	Bishop	D9/757
D807,932 S *	1/2018	Frank	D7/672
D847,222 S *	4/2019	Todirca	D15/90
D852,237 S *	6/2019	Helton	D15/90
D899,470 S *	10/2020	Liu	D15/90
D912,107 S *	3/2021	Brown	D15/90
D914,067 S *	3/2021	Wu	D15/90
D915,475 S *	4/2021	Wu	D15/90
D918,970 S *	5/2021	Zhai	D15/90
D923,067 S *	6/2021	Zhao	D15/90
D931,914 S *	9/2021	Zhai	D15/90
D938,238 S *	12/2021	Stahl	D7/672
D940,211 S *	1/2022	Sullivan	D15/90
D941,100 S *	1/2022	Howard	D7/672
2020/0072522 A1 *	3/2020	Murphy	F25C 1/18
2021/0080166 A1 *	3/2021	Connor	F25C 1/22
2021/0345825 A1 *	11/2021	Birkenstock	A23P 30/10
2021/0381738 A1 *	12/2021	Cran	F25C 1/04
2021/0396445 A1 *	12/2021	Lee	F25C 1/04

* cited by examiner

Primary Examiner — Brett Miller

(74) *Attorney, Agent, or Firm* — Revolution IP, PLLC

(57) **CLAIM**

The ornamental design for a frame for making edible ice, as shown and described.

DESCRIPTION

FIG. 1 is a top, front, left perspective view of a frame for making edible ice showing the claimed design;
 FIG. 2 is a top view thereof;
 FIG. 3 is a bottom view thereof;
 FIG. 4 is a top, rear, right perspective view thereof;
 FIG. 5 is a bottom, front, left perspective view thereof; and,
 FIG. 6 is another perspective view thereof shown in an open position.
 The broken lines in FIG. 6 are for illustrative purposes only and form no part of the claimed design.

1 Claim, 6 Drawing Sheets

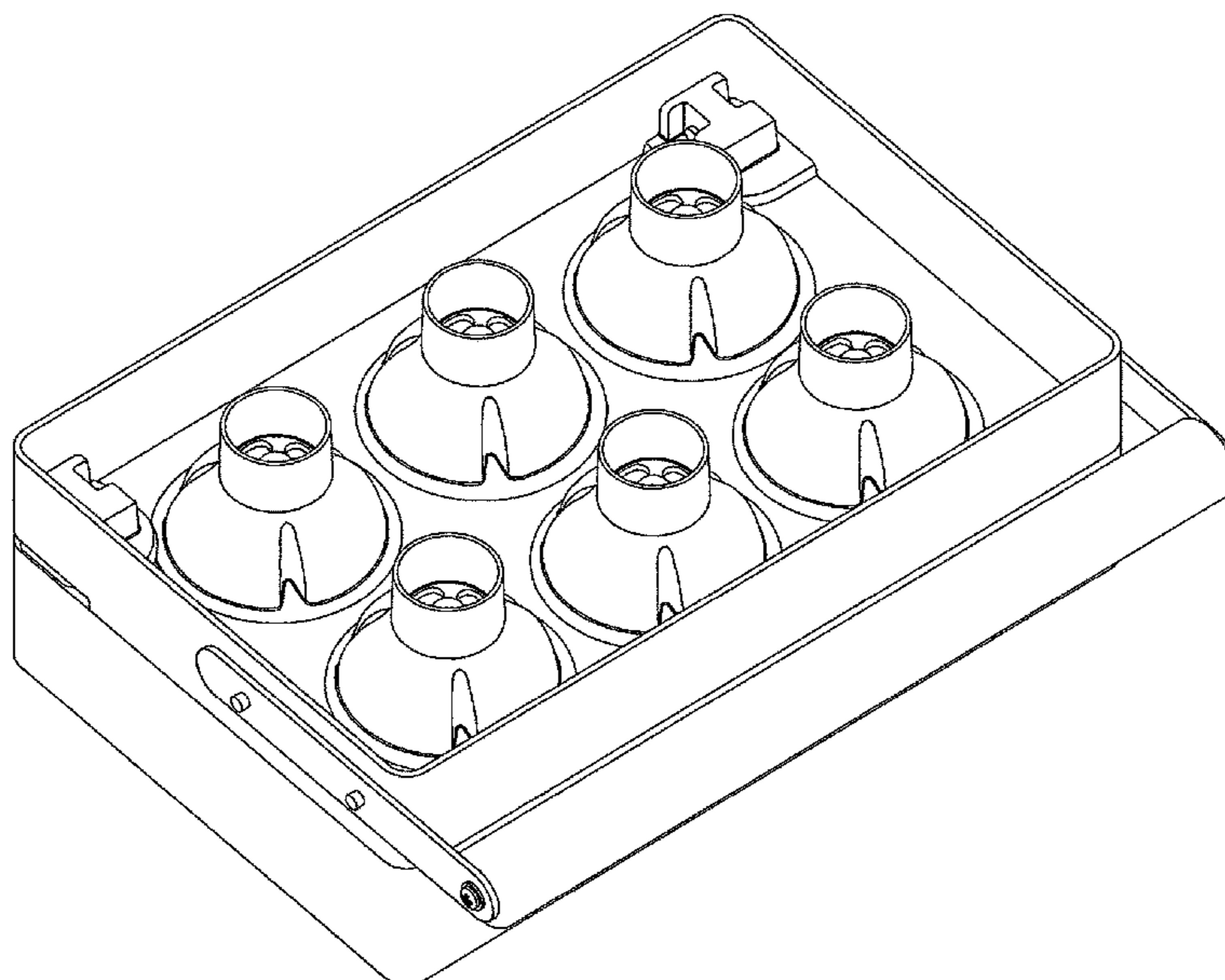


FIG. 1

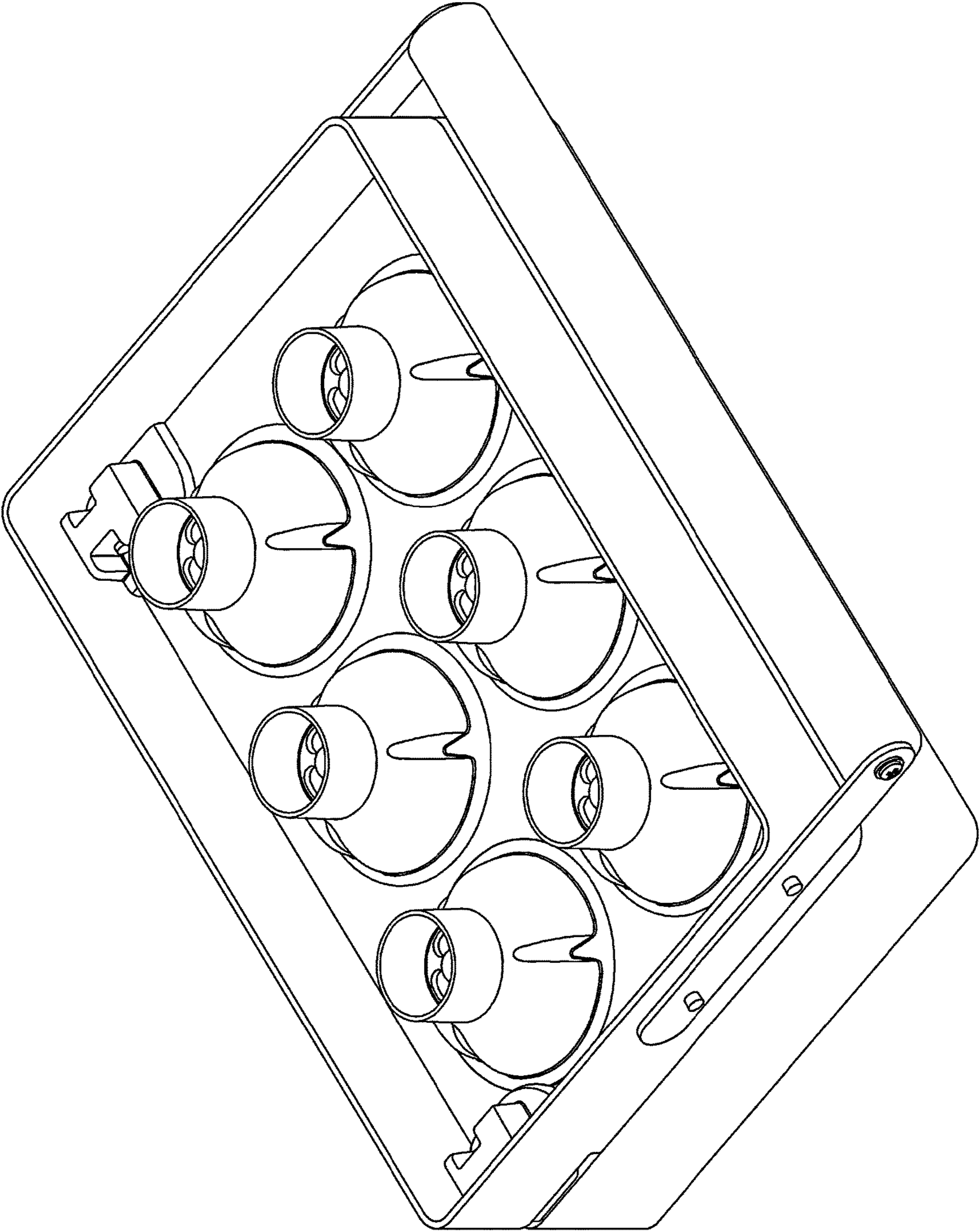


FIG. 2

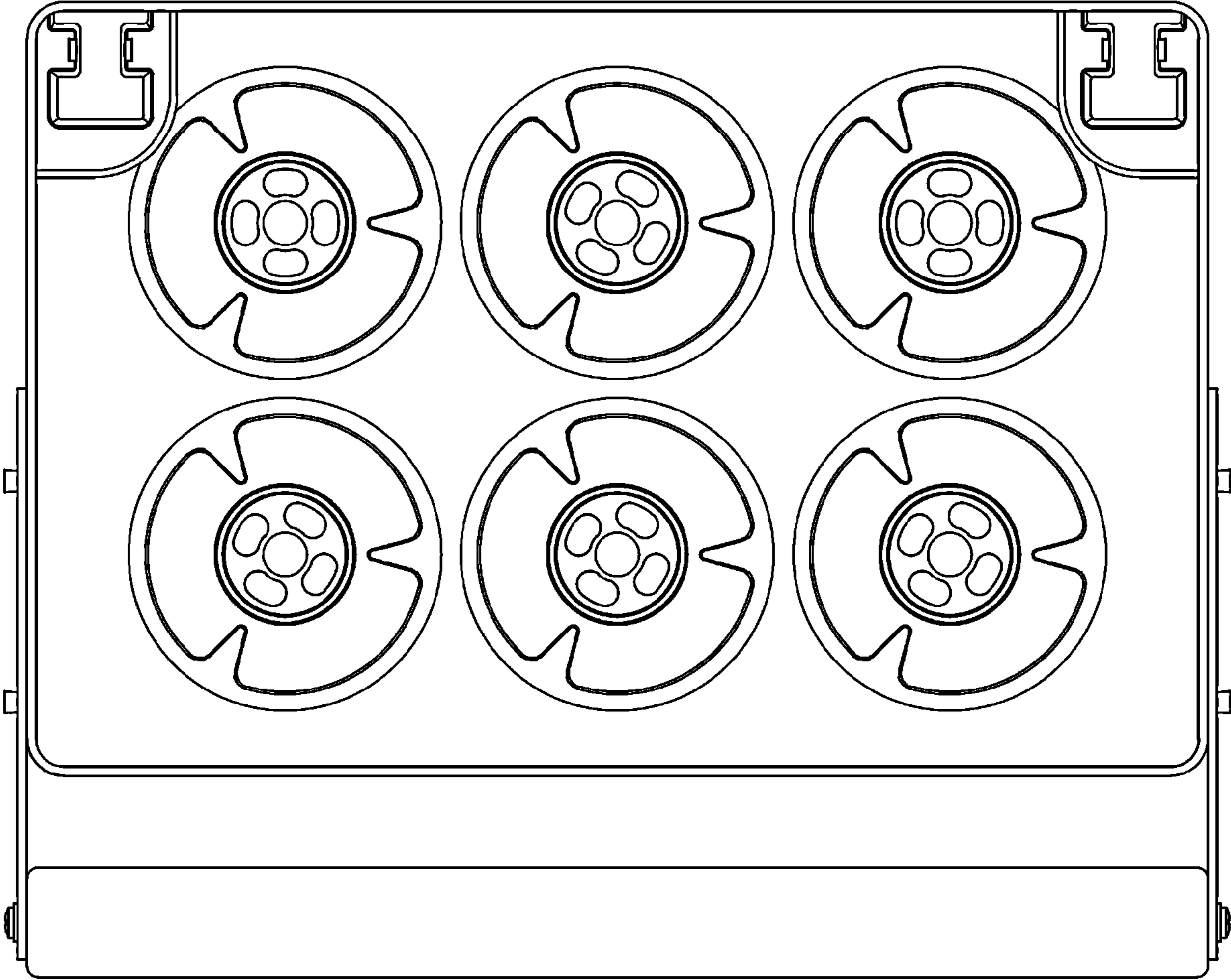


FIG. 3

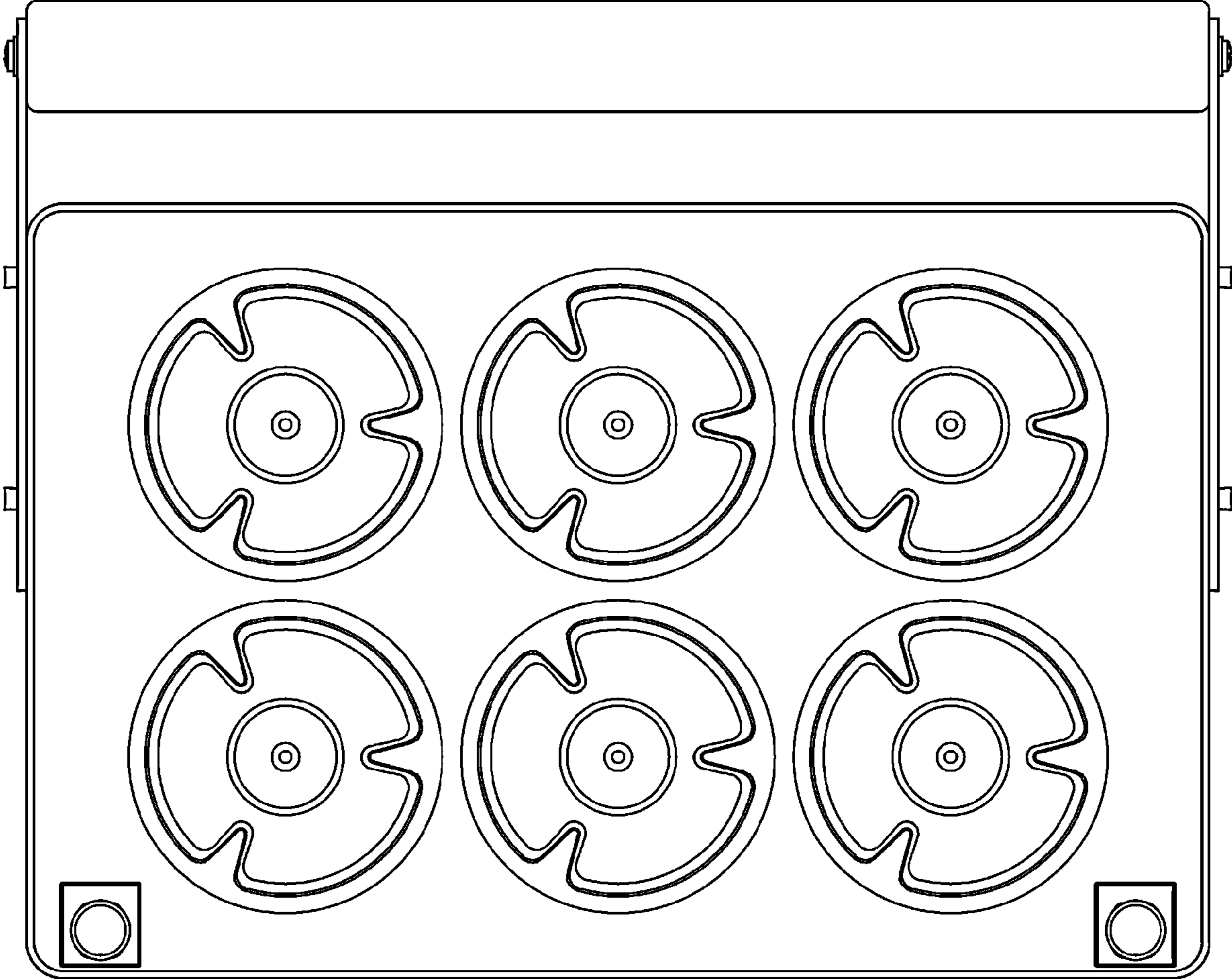


FIG. 4

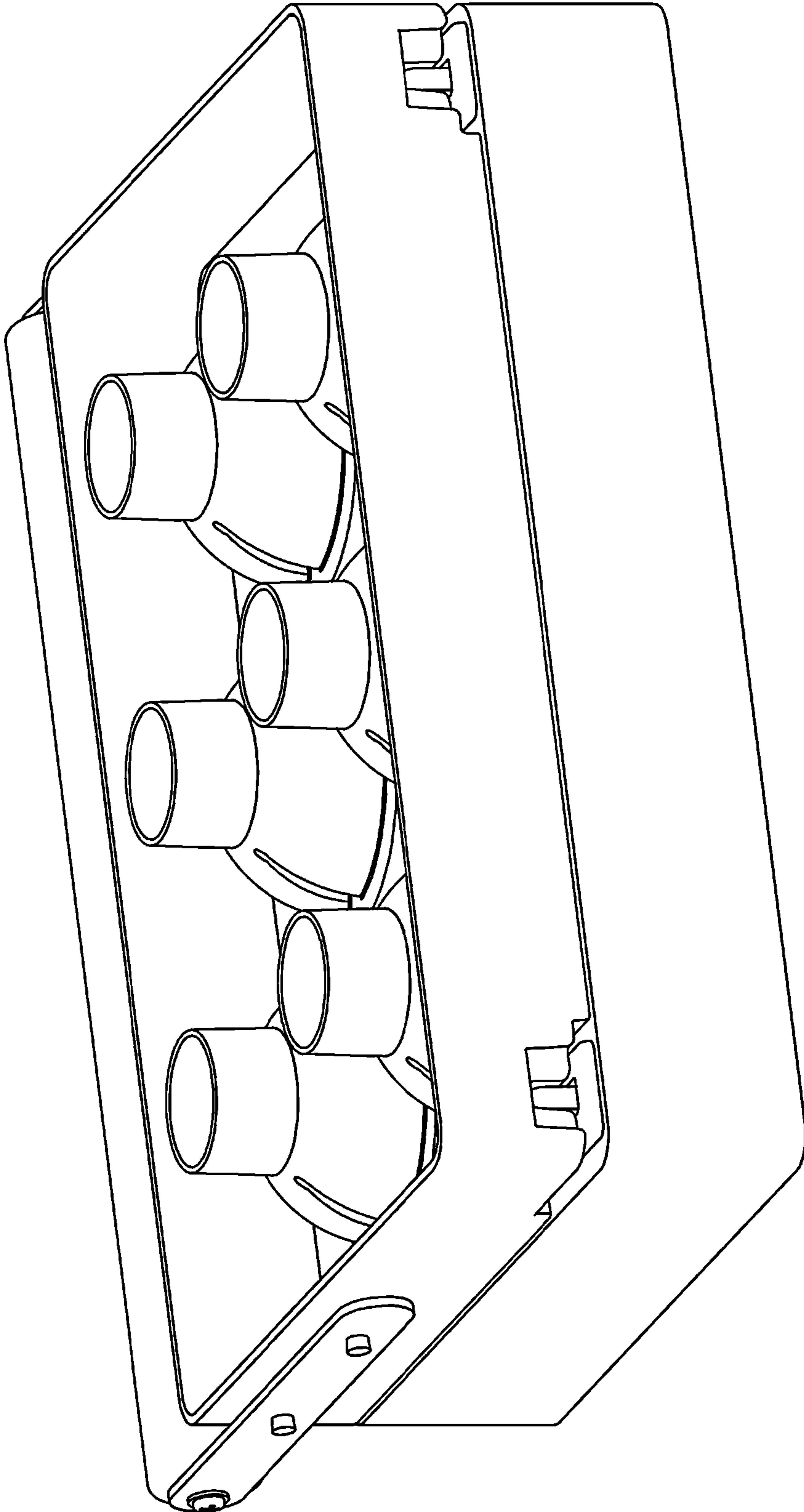


FIG. 5

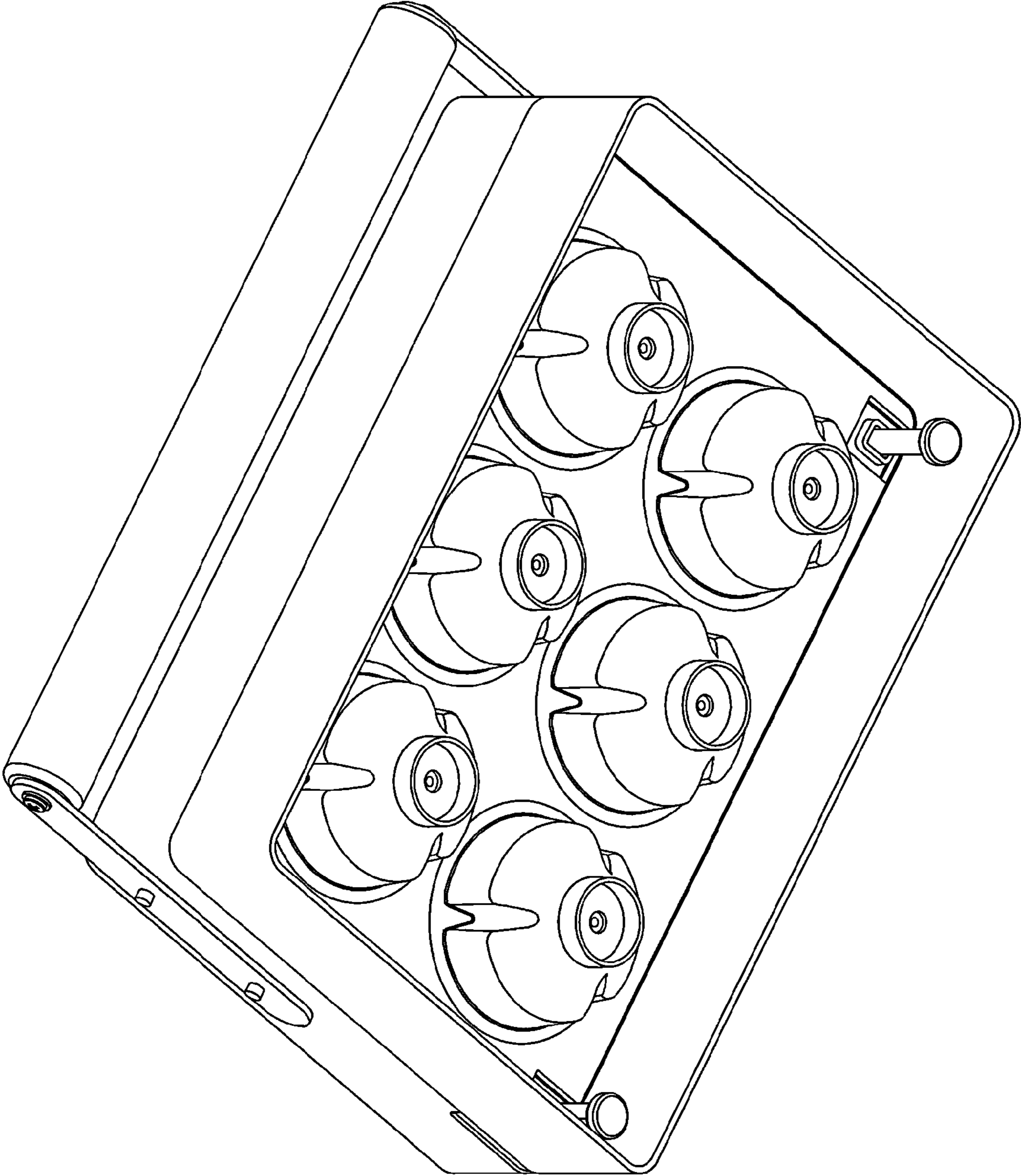


FIG. 6

