



US00D968913S

(12) **United States Design Patent** (10) **Patent No.:** **US D968,913 S**
Shen et al. (45) **Date of Patent:** **** Nov. 8, 2022**

(54) **SLOW JUICER**

(56) **References Cited**

(71) Applicant: **SHENZHEN XIAOSI TECHNOLOGY CO., LTD**, Shenzhen (CN)

U.S. PATENT DOCUMENTS

(72) Inventors: **Si Shen**, Shenzhen (CN); **Xianglin Liu**, Shenzhen (CN); **Xinliang Zou**, Shenzhen (CN)

D439,808	S	*	4/2001	McClean	A47J 19/025
						D7/665
D501,370	S	*	2/2005	Hensel	D7/665
D513,943	S	*	1/2006	Hsu	D7/665
D514,395	S	*	2/2006	Feil	D7/665
D526,539	S	*	8/2006	Yip	D7/665
D601,391	S	*	10/2009	Chiang	D7/665
D610,396	S	*	2/2010	Chiang	D7/372
D676,287	S	*	2/2013	Ferraby	D7/665
D698,210	S	*	1/2014	Lavy	D7/665
D700,477	S	*	3/2014	Kim	D7/412
D712,696	S	*	9/2014	Huber	D7/372
D725,439	S	*	3/2015	Kim	D7/665
D725,440	S	*	3/2015	Kim	D7/665
D742,183	S	*	11/2015	Kim	D7/665
D755,580	S	*	5/2016	Bock	D7/665
D775,491	S	*	1/2017	Brinkley	D7/372
D790,930	S	*	7/2017	Bodum	D7/665

(73) Assignee: **SHENZHEN XIAOSI TECHNOLOGY CO., LTD**, Shenzhen (CN)

(**) Term: **15 Years**

(21) Appl. No.: **29/754,587**

(22) Filed: **Oct. 13, 2020**

(30) **Foreign Application Priority Data**

Aug. 6, 2020 (CN) 202030442817.0

(51) **LOC (13) Cl.** **07-04**

(52) **U.S. Cl.**
USPC **D7/665**

(58) **Field of Classification Search**

USPC D7/305, 309, 368, 372, 373, 376, 378, D7/379, 381, 384, 387, 412, 414, 665, D7/666, 668, 669, 675, 679, 693
CPC A23L 2/04; A23L 2/06; A23N 1/02; A23N 1/003; A23N 1/00; A47J 19/00; A47J 19/025; A47J 19/027; A47J 19/023; A47J 19/06; A47J 19/02; A47J 31/42; A47J 42/04; A47J 43/046; A47J 43/07; A47J 43/06; A47J 43/0716; A47J 43/255; B02C 18/305; B02C 18/00; B02C 18/302; B02C 13/00; B30B 9/06; B30B 9/12; B30B 9/262; B30B 9/04; B30B 9/20

See application file for complete search history.

(Continued)

Primary Examiner — Joseph Kukella
Assistant Examiner — Darryl J Dardenne

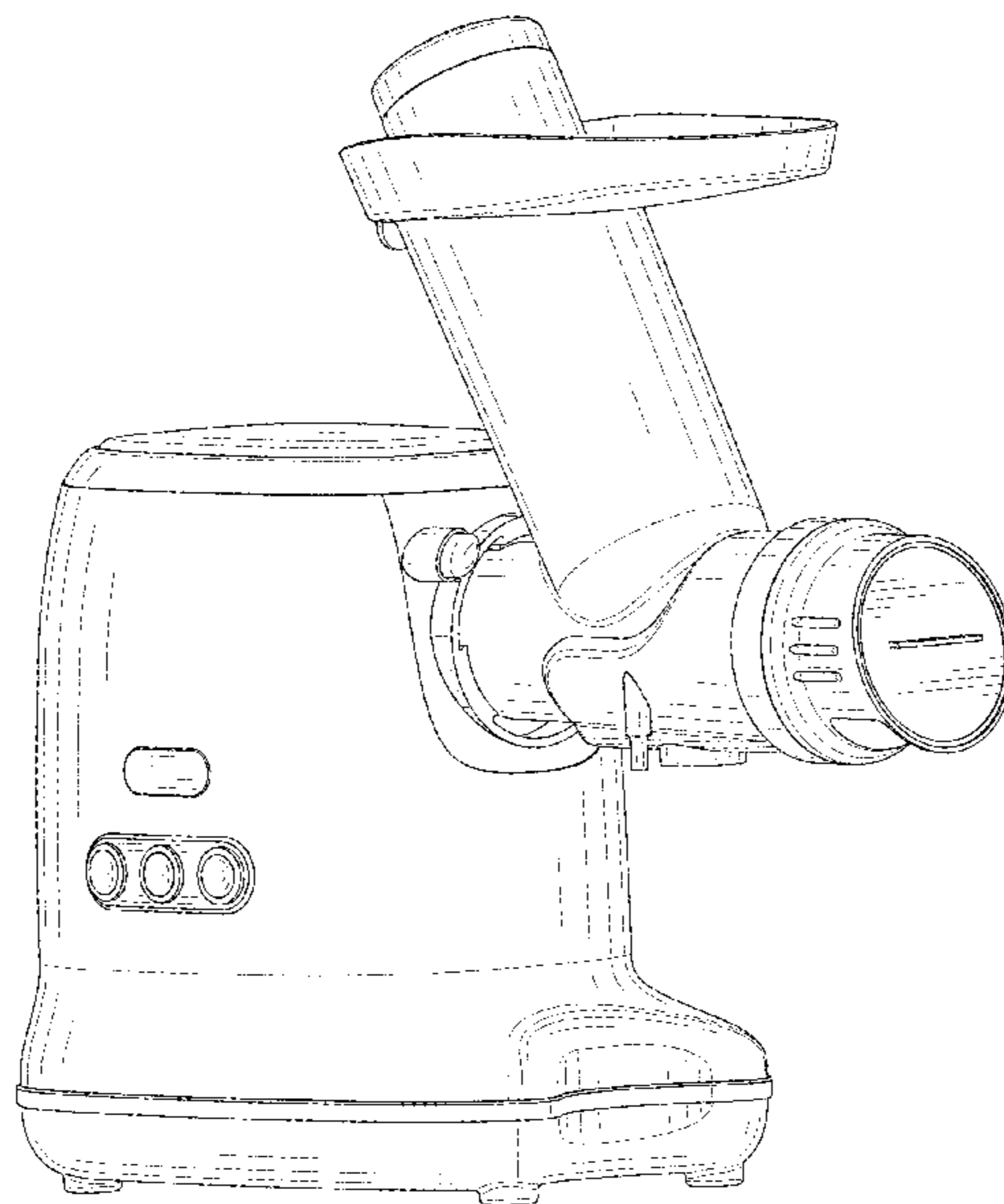
(57) **CLAIM**

The ornamental design for a slow juicer, as shown and described.

DESCRIPTION

FIG. 1 is a front, top, right perspective view of a slow juicer showing our new design;
FIG. 2 is a front elevation view thereof;
FIG. 3 is a rear elevation view thereof;
FIG. 4 is a left side view thereof;
FIG. 5 is a right side view thereof;
FIG. 6 is a top view thereof; and,
FIG. 7 is a bottom view thereof.
The broken lines in the drawings are for the purpose of illustrating unclaimed portions of the slow juicer and form no part of the claimed design.

1 Claim, 7 Drawing Sheets



(56)

References Cited

U.S. PATENT DOCUMENTS

D892,552 S *	8/2020	Liu	D7/381
D900,561 S *	11/2020	Chen	D7/665
D906,769 S *	1/2021	Shen	D7/665
D927,266 S *	8/2021	Wang	D7/643
2012/0216687 A1 *	8/2012	Trovinger	A47J 19/025 99/510

* cited by examiner

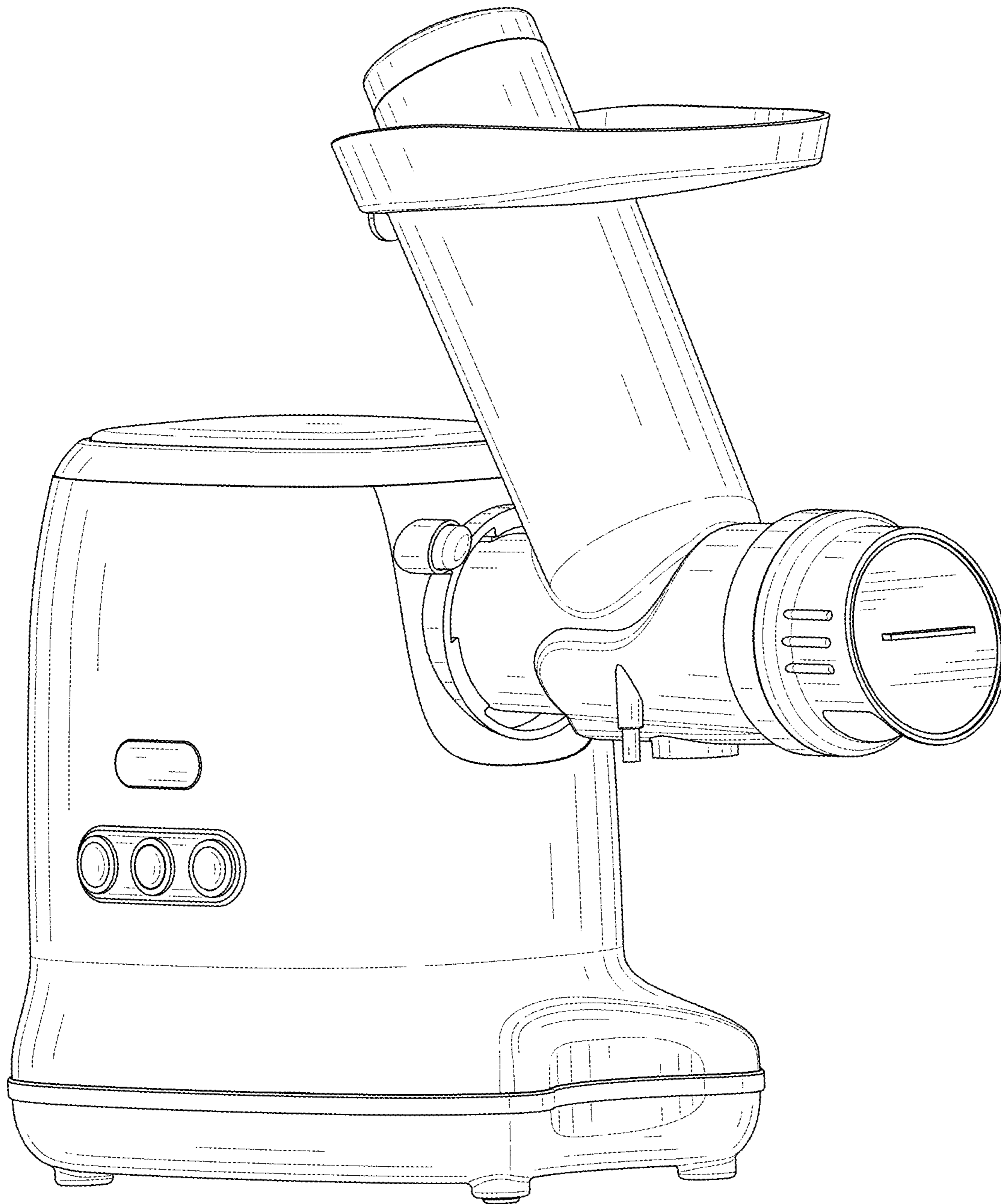


FIG. 1

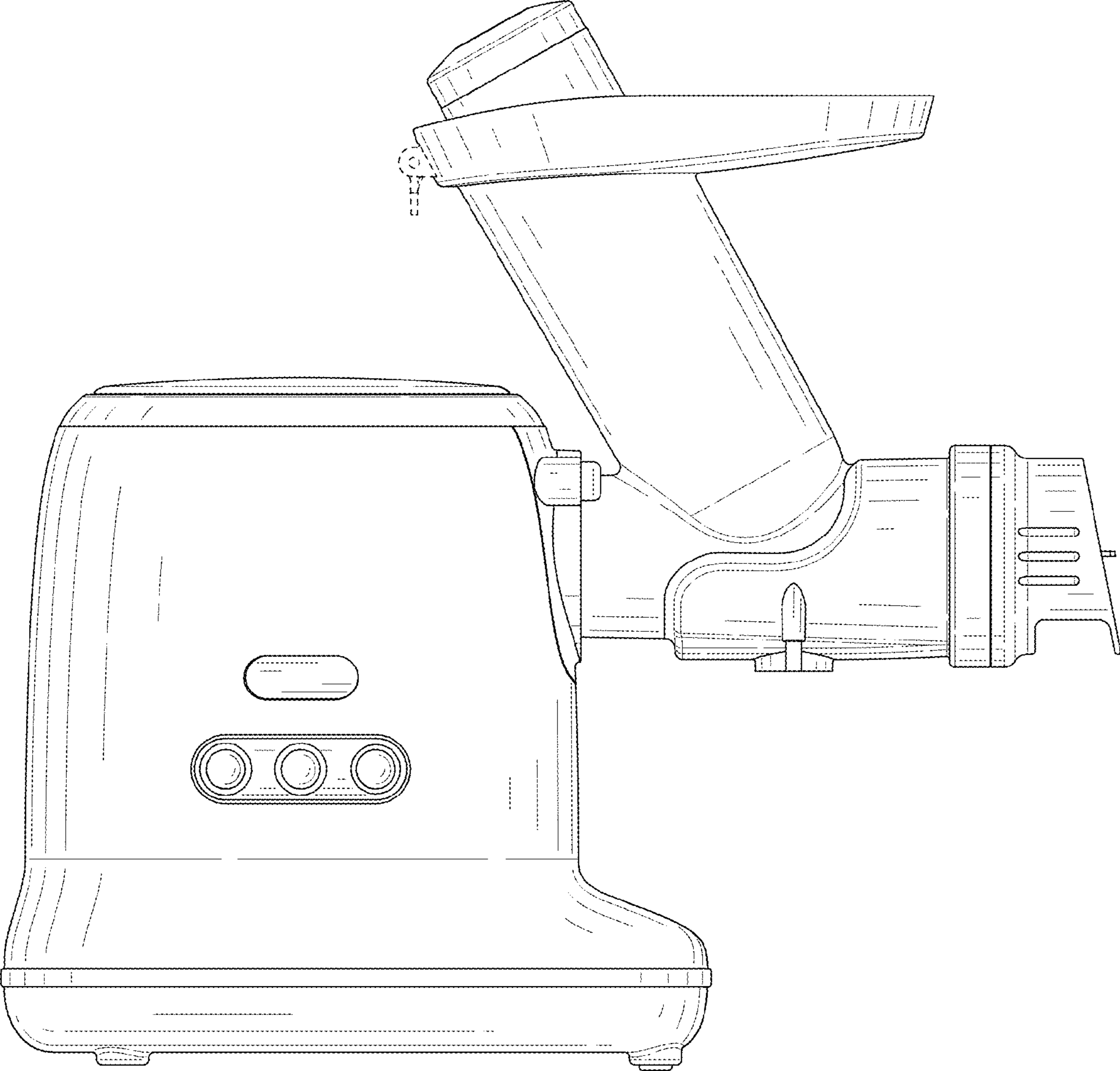


FIG. 2

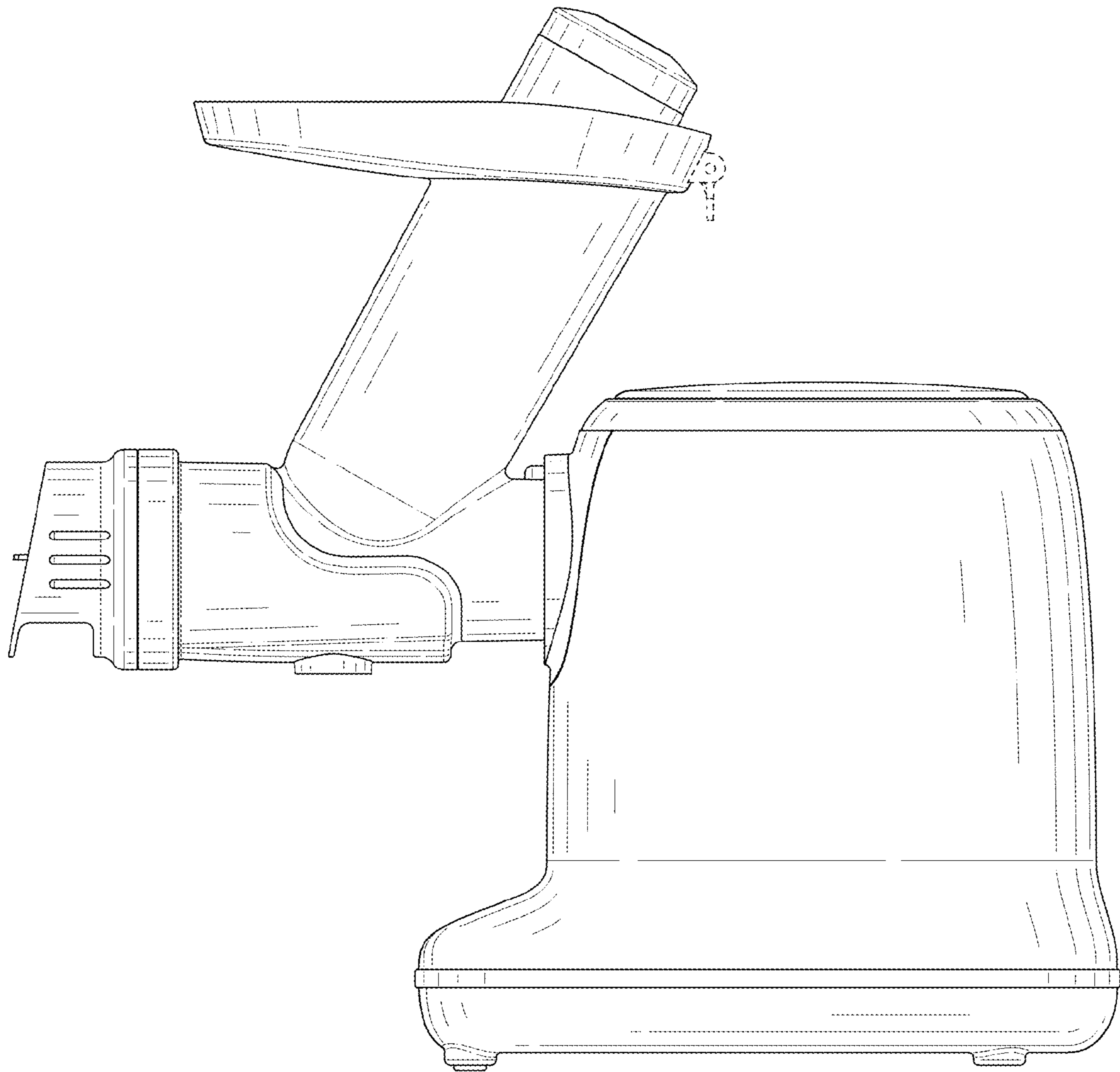


FIG. 3

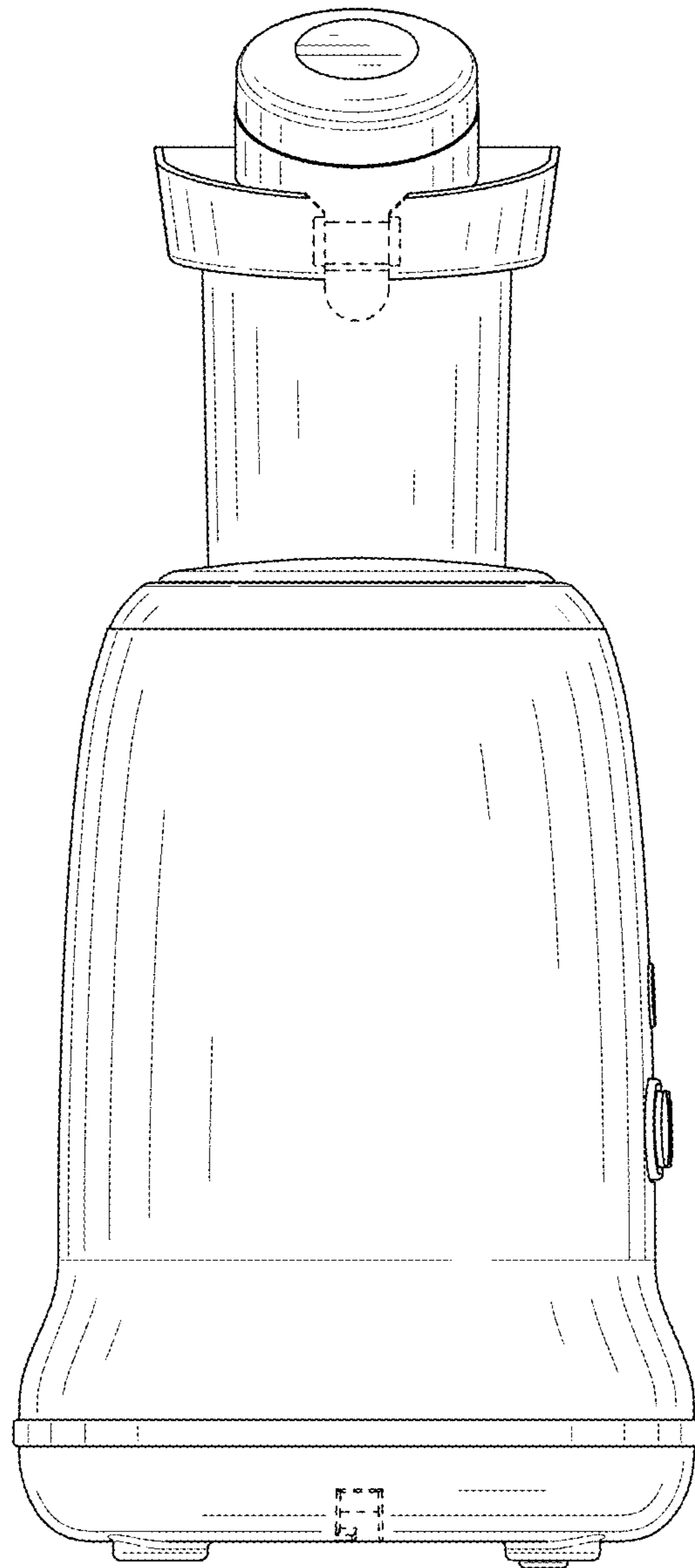


FIG. 4

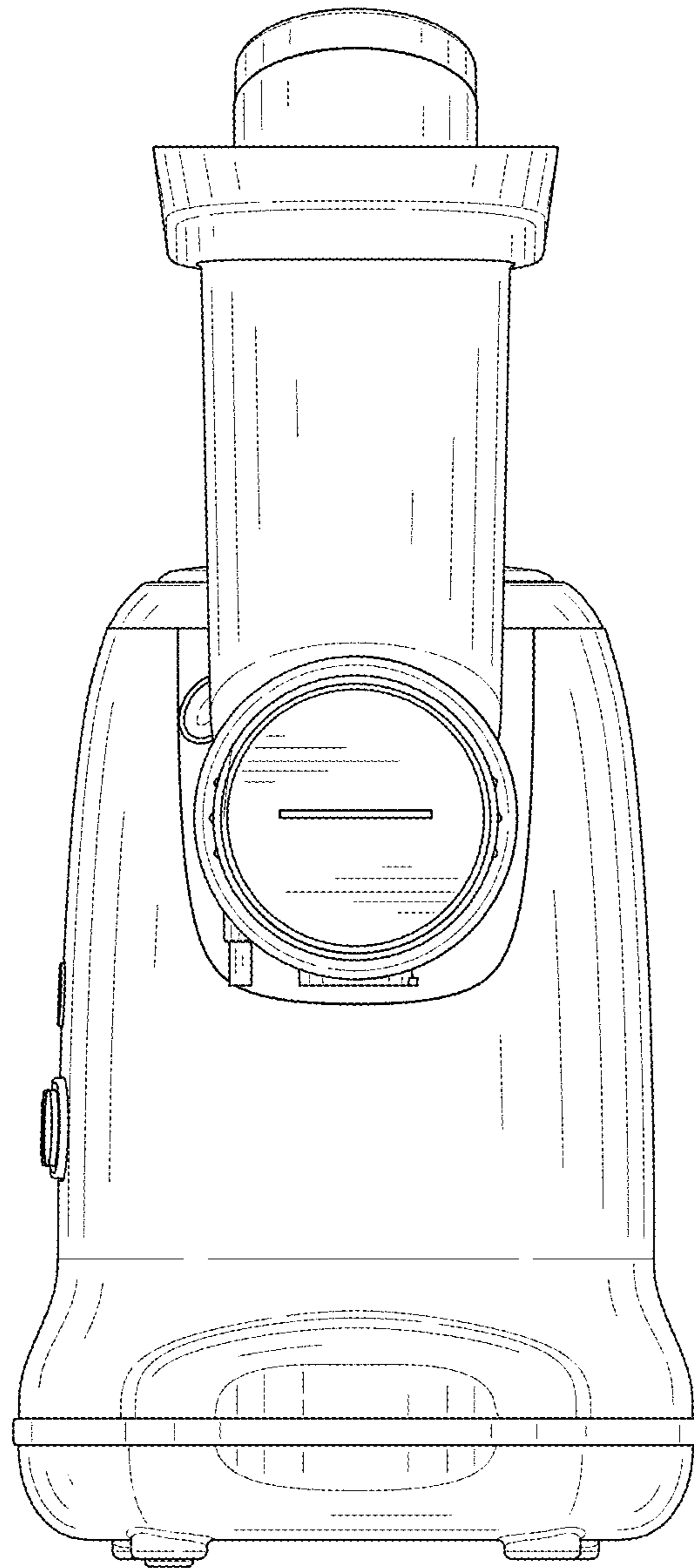


FIG. 5

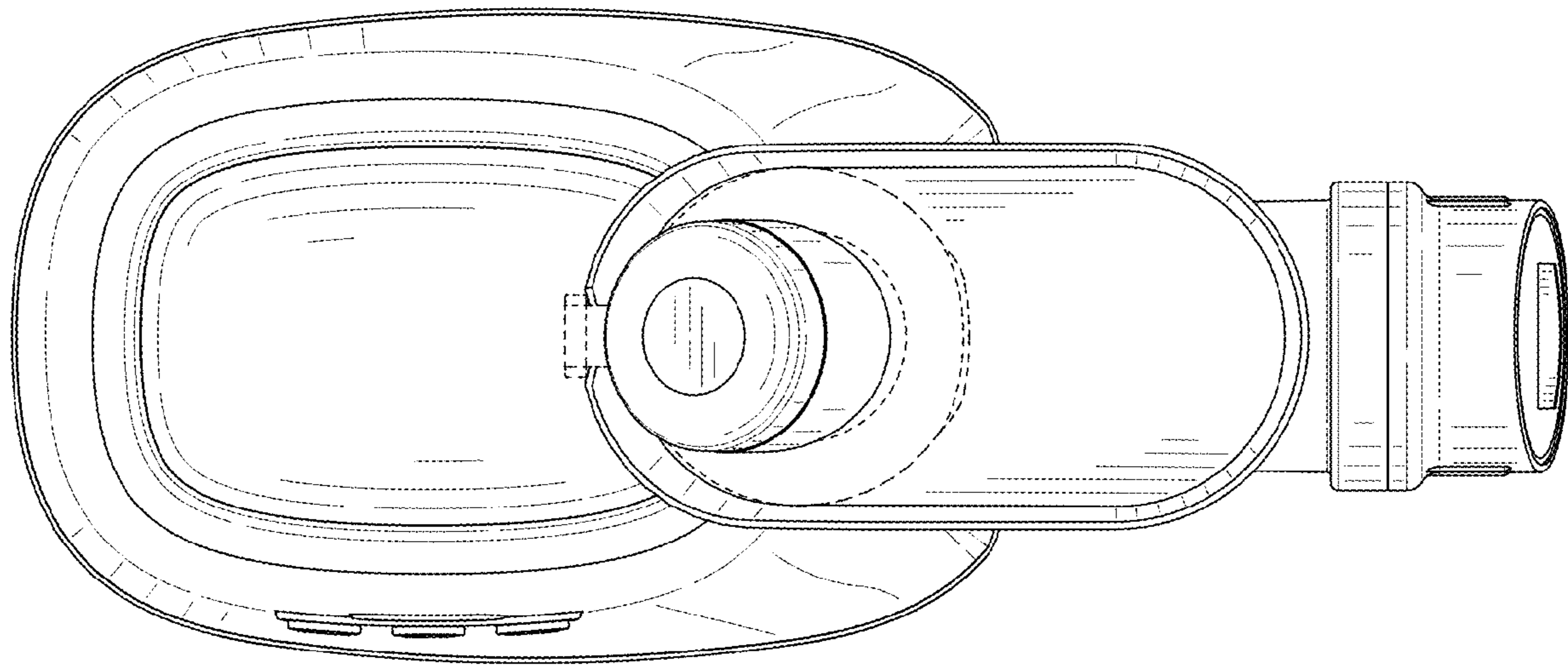


FIG. 6

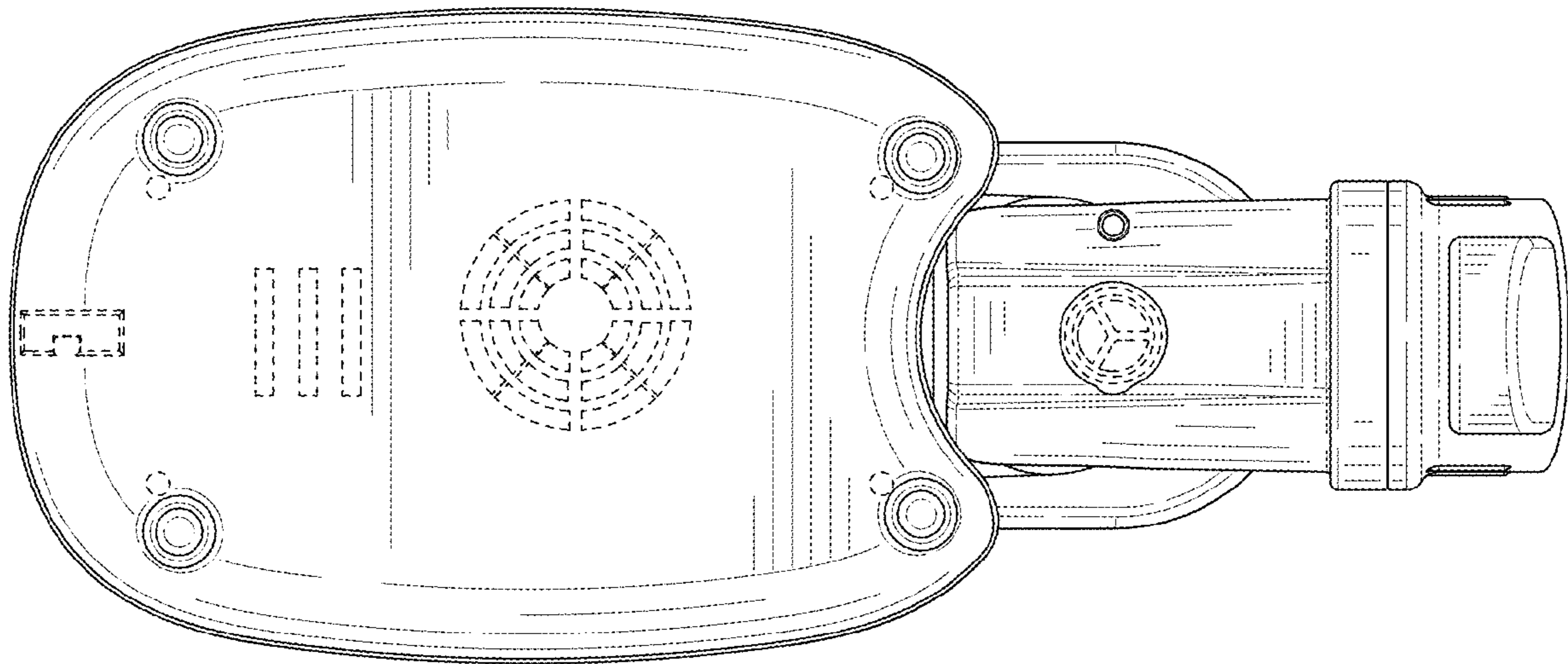


FIG. 7