



US00D968911S

(12) **United States Design Patent** (10) **Patent No.:** **US D968,911 S**
George et al. (45) **Date of Patent:** **** Nov. 8, 2022**

(54) **POOL NOODLE DRINK HOLDER**

(71) Applicant: **Island in the Sun, LLC**, Dallas, TX (US)

(72) Inventors: **Amanda E George**, Dallas, TX (US);
Jessica L. Smith, Dallas, TX (US)

(**) Term: **15 Years**

(21) Appl. No.: **29/756,220**

(22) Filed: **Oct. 27, 2020**

(51) **LOC (13) Cl.** **07-09**

(52) **U.S. Cl.**
USPC **D7/624.2**

(58) **Field of Classification Search**
USPC D3/202, 229, 289; D7/391, 399, 531,
D7/536, 590, 605, 607, 608, 619.1, 624.2,
D7/701; D9/444, 711
CPC ... A45F 3/16; A47G 23/0216; A47G 19/2288;
A47G 23/0241; A47G 2023/0275; A47G
23/02; A47G 23/0266; A47G 23/04;
B65D 81/3886; B65D 81/3883; B65D
81/3876; B65D 81/3837; F25D 3/08;
F25D 2331/805; F25D 2303/0822; F25D
2331/803; F25D 2331/809; F25D 31/007;
F25D 2303/0841
See application file for complete search history.

D469,317 S * 1/2003 Doerr B65D 81/3886
D7/624.2

6,790,112 B2 * 9/2004 Kirk B63B 25/002
220/739

D571,623 S * 6/2008 Loving D7/707

D618,968 S 7/2010 Belden

D639,117 S 6/2011 Jonsson

D644,064 S * 8/2011 DuBois D30/129

D668,308 S 10/2012 Gilmore

D686,883 S 7/2013 Arnold

9,149,139 B1 * 10/2015 Rogers E04H 4/14

D746,933 S 1/2016 Arnold

D749,369 S 2/2016 Cambridge

D793,172 S * 8/2017 Medina B65D 81/3886
D7/624.2

10,064,477 B2 * 9/2018 Nelson A47C 31/00

10,239,586 B1 3/2019 Harbaugh

(Continued)

Primary Examiner — Joseph Kukella
Assistant Examiner — Darryl J Dardenne

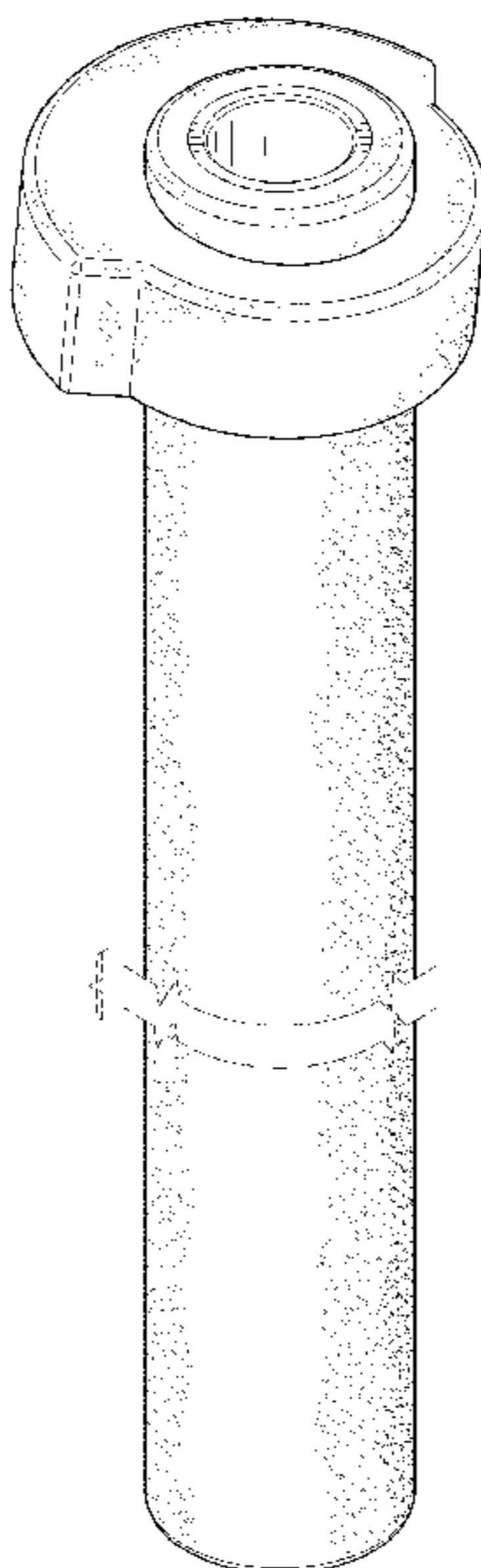
(57) **CLAIM**

The ornamental design for a pool noodle drink holder, as shown and described.

DESCRIPTION

FIG. 1 is a front perspective view of a pool noodle drink holder of the present application;
FIG. 2 is a front elevation view of FIG. 1;
FIG. 3 is a rear elevation view of FIG. 1;
FIG. 4 is a right side view of FIG. 1;
FIG. 5 is a left side view of FIG. 1;
FIG. 6 is a top view of FIG. 1;
FIG. 7 is a bottom view of FIG. 1;
FIG. 8 is an exploded view of the pool noodle drink holder of FIG. 1; and,
FIG. 9 is a cross-section view of the pool noodle drink holder of FIG. 6, showing a portion thereof.
In the drawings, the broken lines depict environmental subject matter only and form no part of the claimed design.

1 Claim, 8 Drawing Sheets



(56)

References Cited

U.S. PATENT DOCUMENTS

D873,624 S 1/2020 Rogers
D880,954 S * 4/2020 McCutchen D7/624.2
D945,223 S * 3/2022 Rogers A45F 5/02
D7/619.1
2003/0077958 A1* 4/2003 Powell A45F 5/02
441/1
2005/0133510 A1 6/2005 Luke
2008/0078788 A1 4/2008 Degges
2012/0068028 A1 3/2012 Arnold
2014/0110412 A1* 4/2014 Johnson A47G 23/0216
220/560
2016/0022072 A1* 1/2016 McDowell A47G 23/0216
220/560
2018/0199742 A1* 7/2018 Rogers A47G 23/0216

* cited by examiner

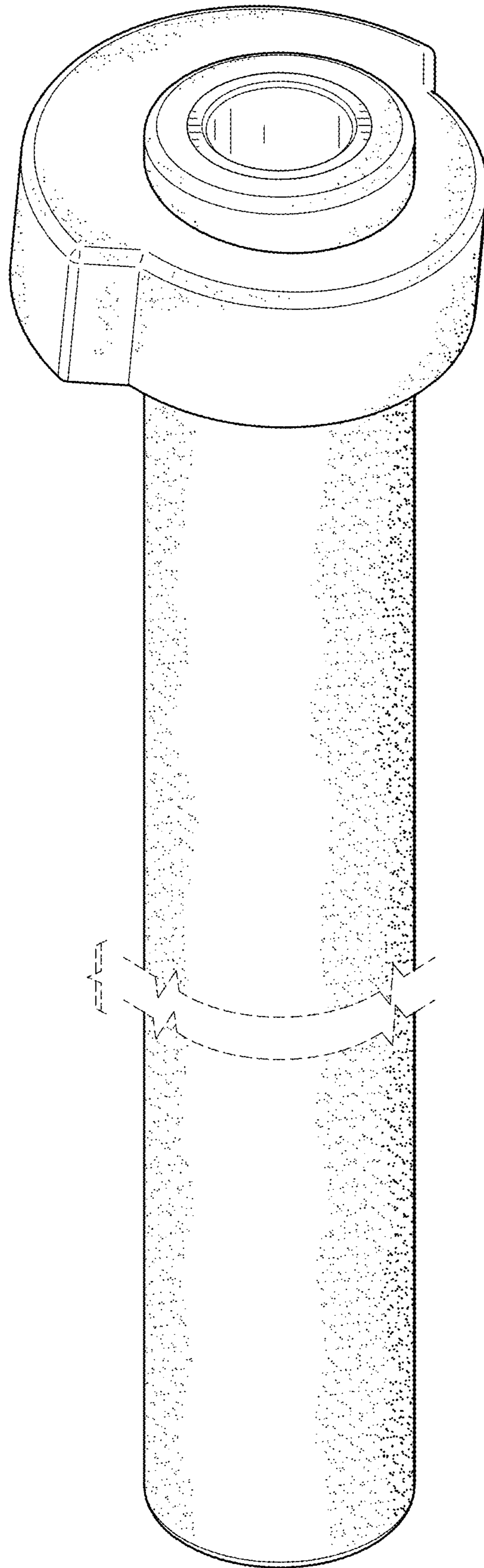


FIG. 1

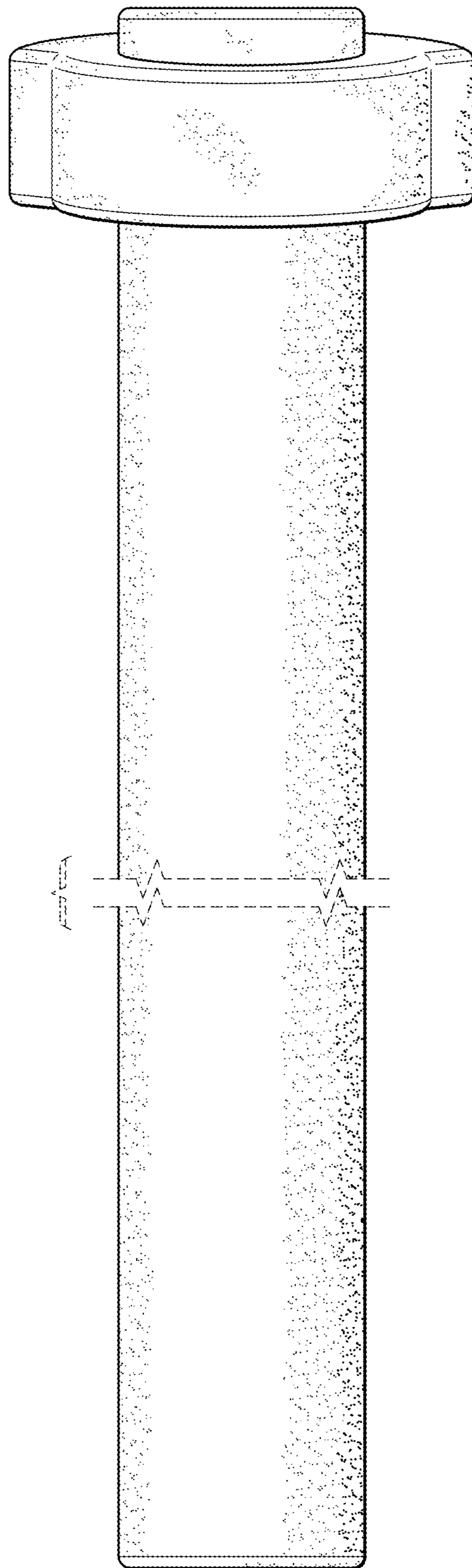


FIG. 2

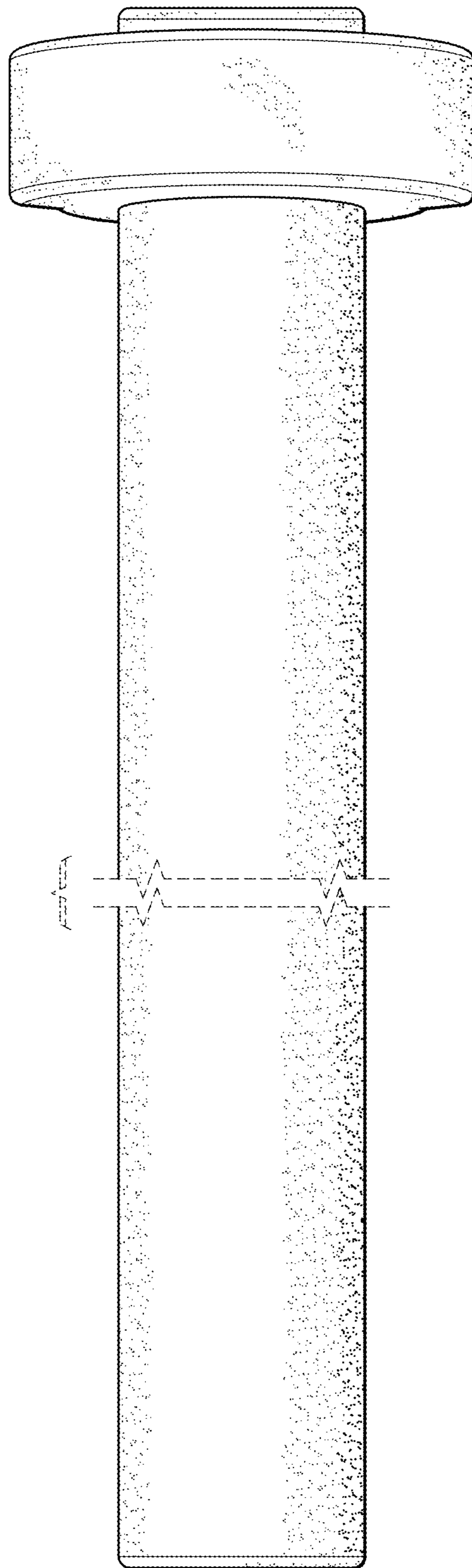


FIG. 3

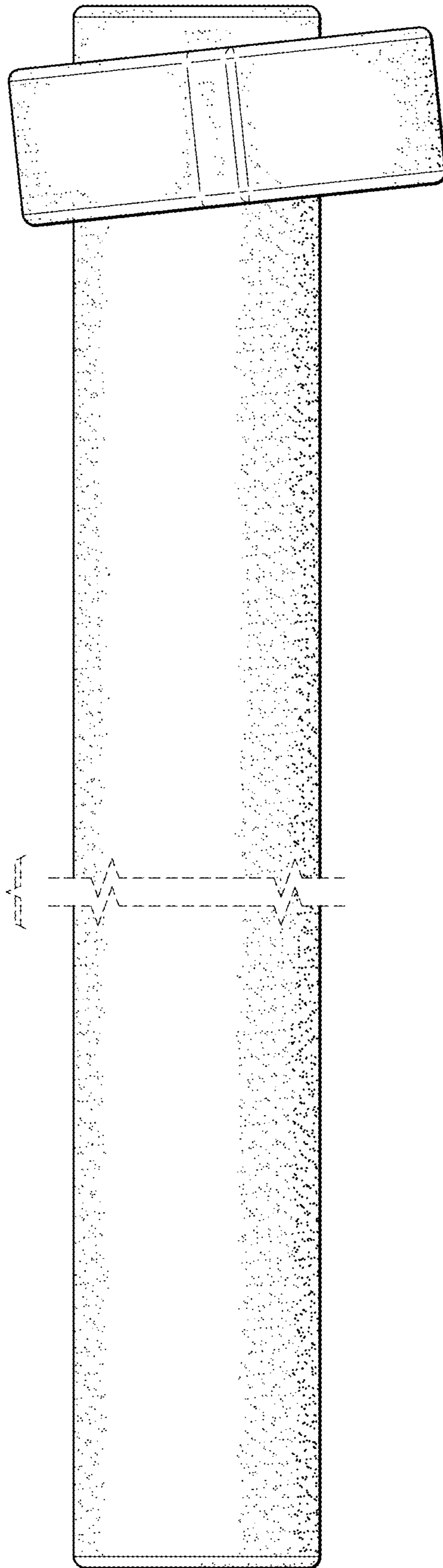


FIG. 4

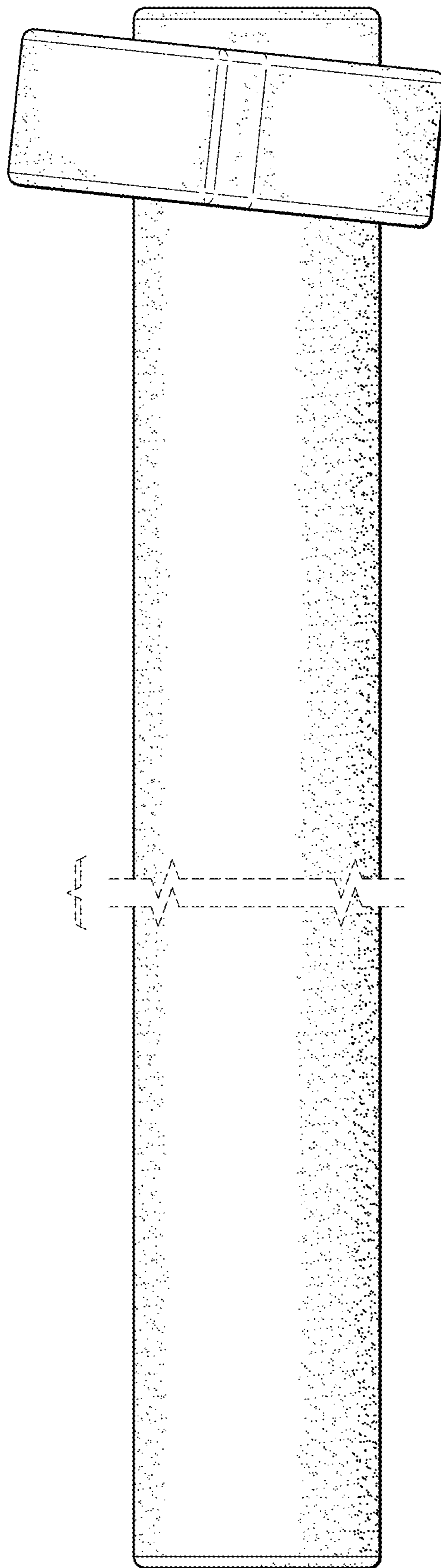


FIG. 5

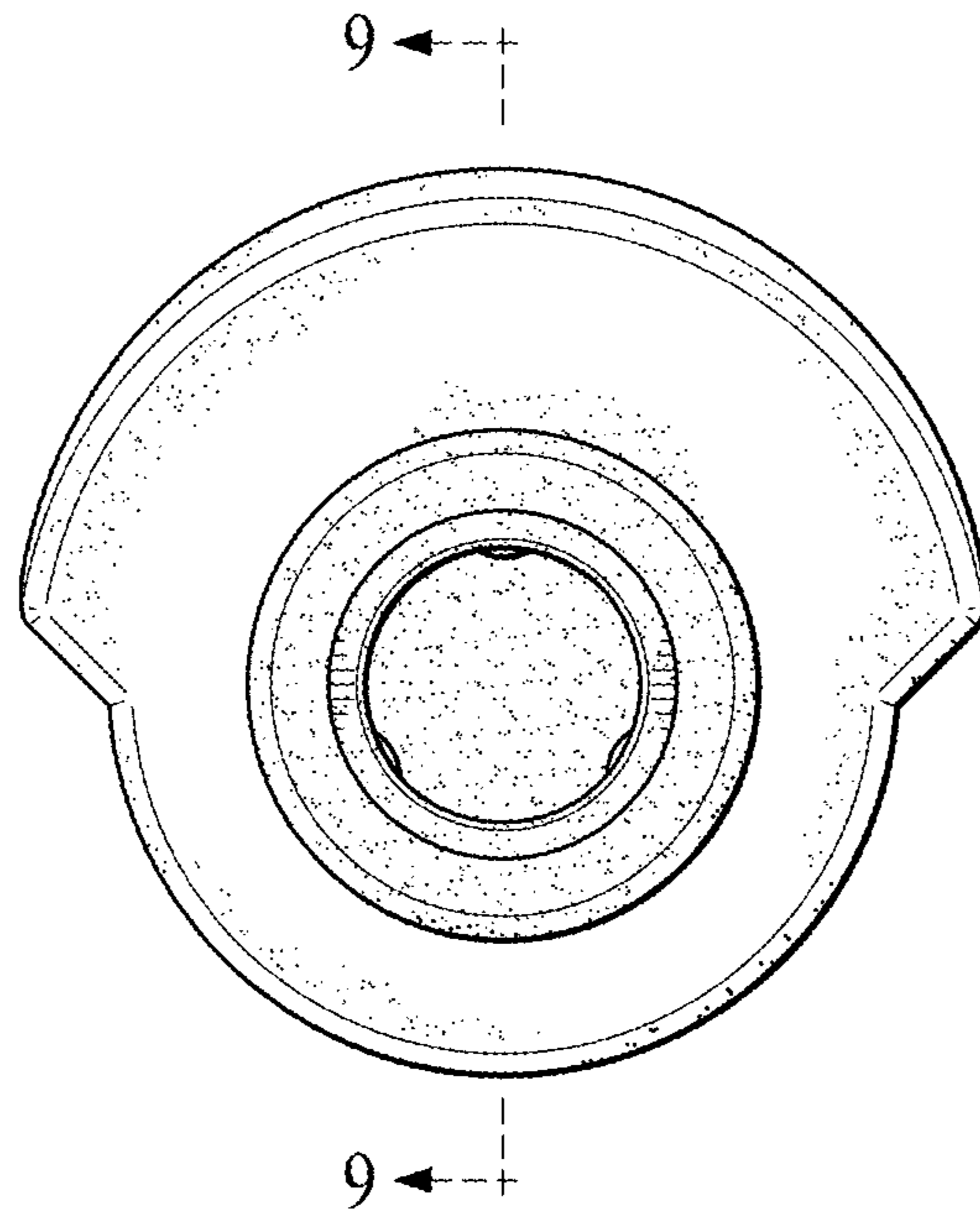


FIG. 6

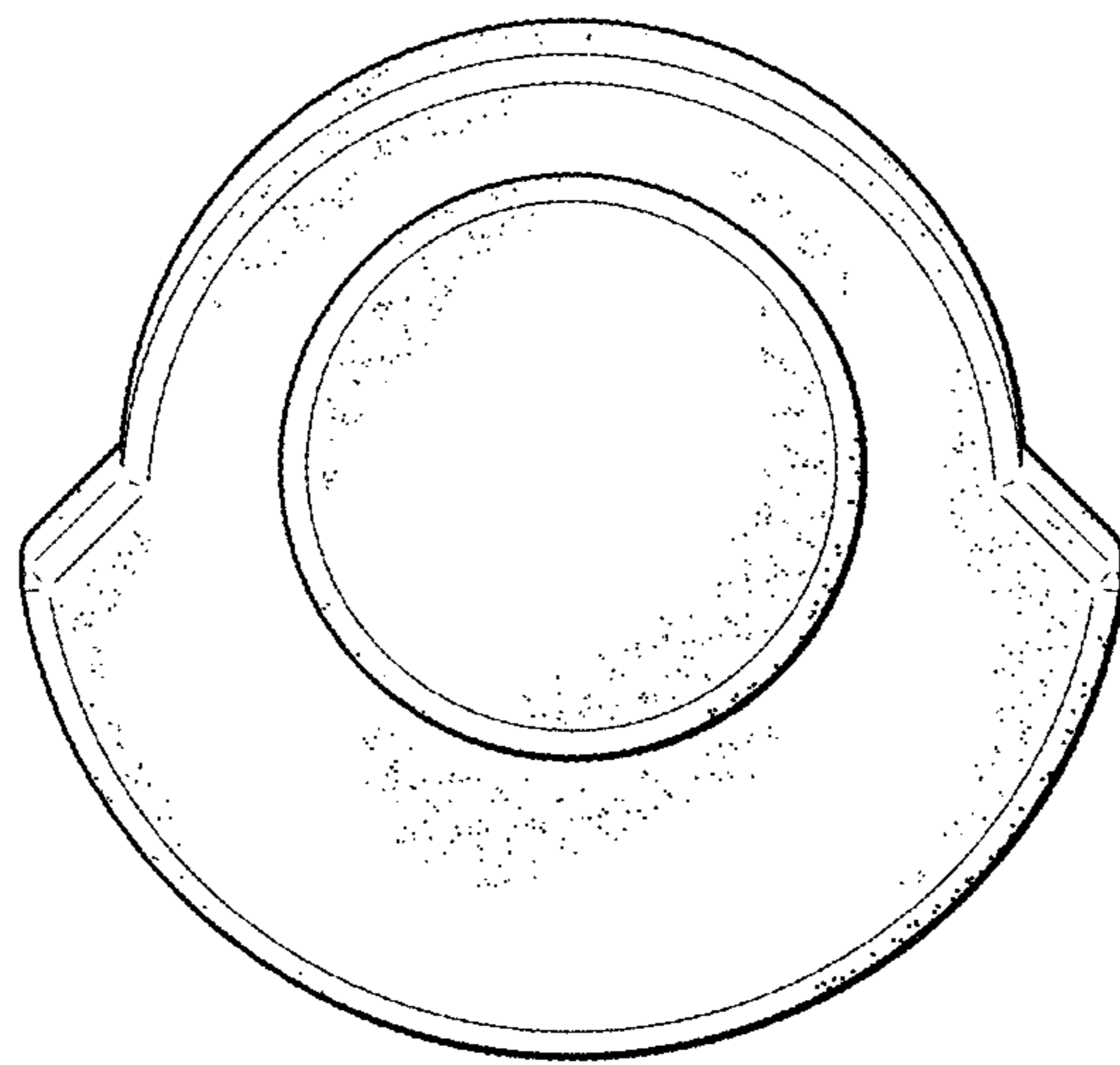


FIG. 7

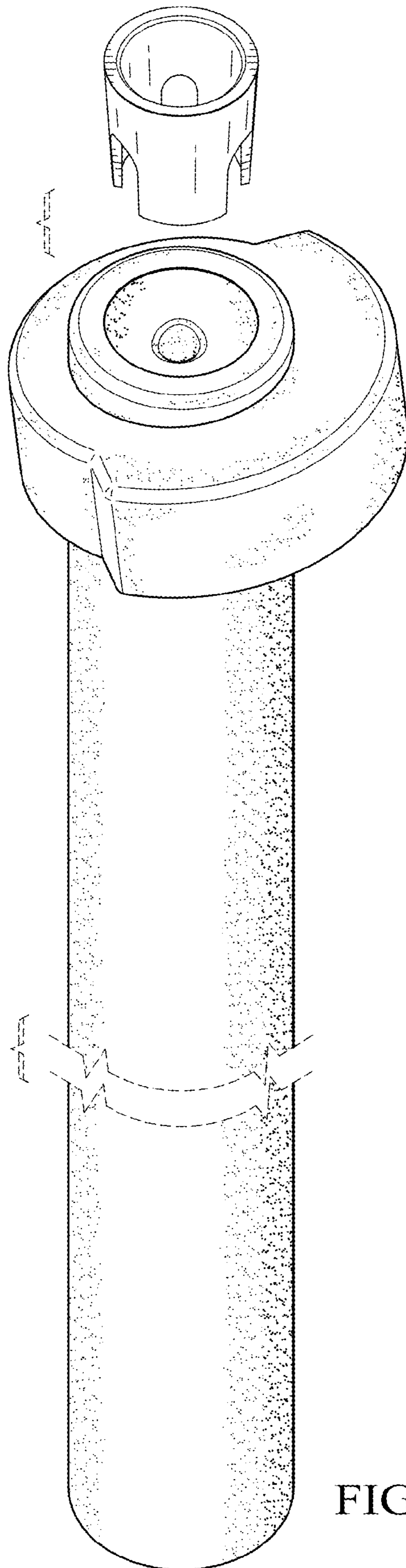


FIG. 8

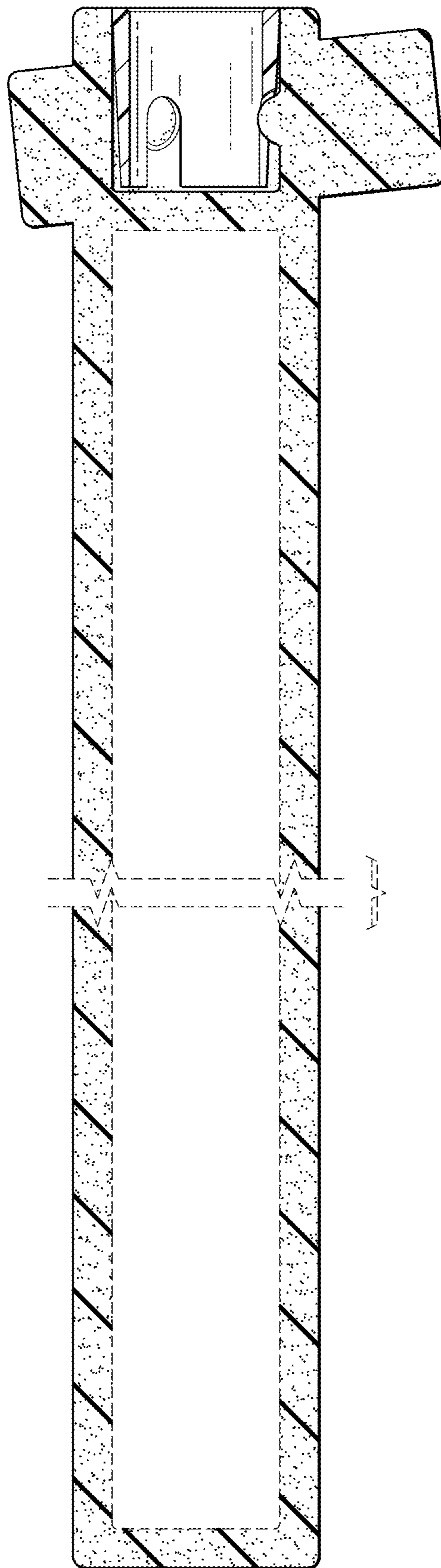


FIG. 9