



US00D968910S

(12) **United States Design Patent** (10) **Patent No.:** **US D968,910 S**
Ni (45) **Date of Patent:** **** Nov. 8, 2022**

(54) **BEVERAGE CONTAINER**
(71) Applicant: **Zhenming Ni**, San Marino, CA (US)
(72) Inventor: **Zhenming Ni**, San Marino, CA (US)
(**) Term: **15 Years**

D856,757 S * 8/2019 Seiders D9/504
D897,781 S * 10/2020 Hirsch D7/511
D927,940 S * 8/2021 Callinan D7/510
D938,784 S * 12/2021 Silsby D7/608
(Continued)

(21) Appl. No.: **29/752,085**
(22) Filed: **Sep. 24, 2020**
(51) **LOC (13) Cl.** **07-01**
(52) **U.S. Cl.**
USPC **D7/608; D7/509**
(58) **Field of Classification Search**
USPC D7/300, 300.1, 312, 313, 354, 355, 360,
D7/361, 387, 391, 392, 396.2, 509, 510,
D7/511, 512, 513, 523, 533, 536,
D7/601-608, 619.1, 622, 624.1-624.3,
D7/625, 629, 630, 709; D3/202,
D3/215-217, 272-274, 276, 279, 283,
D3/284, 294, 295, 299, 301, 318, 327;
D9/500, 503, 504, 529, 530, 537-540,
D9/549
CPC . B65D 43/02; B65D 2543/00092; F25D 3/08;
F25D 31/002; F25D 31/007; F25D
31/008; F25D 2331/801; F25D 2331/803;
F25D 2331/804; F25D 2331/8041; F25D
2331/805; F25D 2331/806; F25D
2331/809
See application file for complete search history.

(56) **References Cited**
U.S. PATENT DOCUMENTS
D599,621 S * 9/2009 Poindexter D7/532
D658,944 S * 5/2012 Gilbert D7/511
D742,699 S * 11/2015 Boroski D9/500
D774,837 S * 12/2016 Seiders D9/537
D804,254 S * 12/2017 Seiders D9/504
D809,347 S * 2/2018 Silsby D9/500
D830,783 S * 10/2018 Diener D7/532

OTHER PUBLICATIONS

Coleman Autoseal FreeFlow Stainless Steel Water Bottle, first available Oct. 18, 2017, Amazon, [online], [site visited Apr. 7, 2022], Available from internet URL: <https://www.amazon.com/Coleman-FreeFlow-AUTOSEAL-Insulated-Stainless/dp/B076JLCN2D> (Year: 2017).*

(Continued)

Primary Examiner — Mary Ann Calabrese
Assistant Examiner — Natalya M Rapundalo
(74) *Attorney, Agent, or Firm* — Tsz Lung Yeung

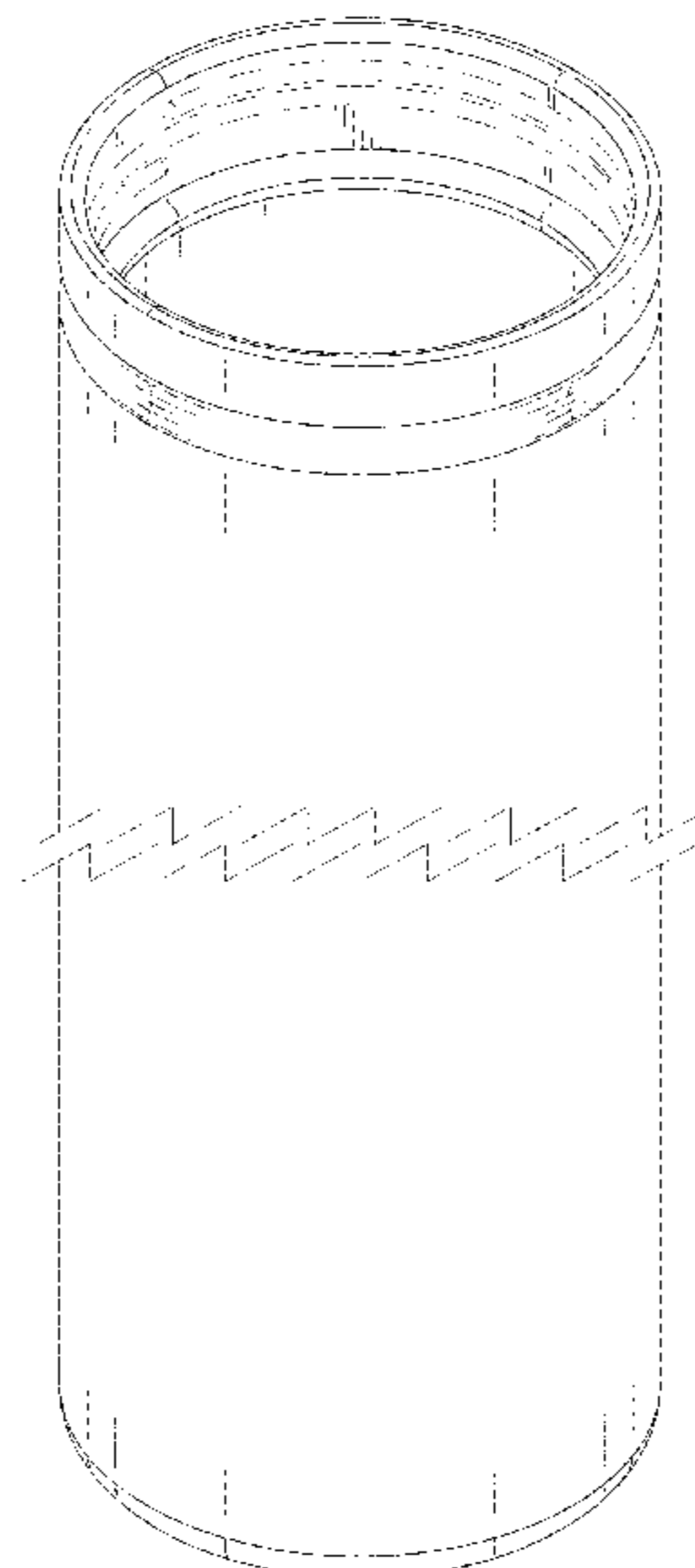
(57) **CLAIM**

The ornamental design for a beverage container, as shown and described.

DESCRIPTION

FIG. 1 is a perspective view of a beverage container showing my new design;
FIG. 2 is a front view thereof;
FIG. 3 is a rear view thereof;
FIG. 4 is a left side view thereof;
FIG. 5 is a right side view thereof;
FIG. 6 is a bottom view thereof;
FIG. 7 is a top view thereof; and,
FIG. 8 is a perspective view thereof, shown in use with a lid. The beverage container is shown with a symbolic break in its length. The appearance of any portion of the article between the break lines forms no part of the claimed design. The broken lines depict portions of the beverage container and environment that form no part of the claimed design.

1 Claim, 8 Drawing Sheets



(56)

References Cited

U.S. PATENT DOCUMENTS

D940,514 S * 1/2022 Dean D7/608
D946,977 S * 3/2022 Wahl D7/624.2

OTHER PUBLICATIONS

Buzio Insulated Water Bottle, Ubuy, [online], [site visited Apr. 7, 2022], Available from internet URL: <https://www.ubuy.co.id/en/product/5KB7M1Q-buzio-stainless-steel-water-bottle-cold-for-48-hrs-hot-for-24-hrs-40-oz-vacuum-insulated-water-bottl> (Year: 2022).*

* cited by examiner

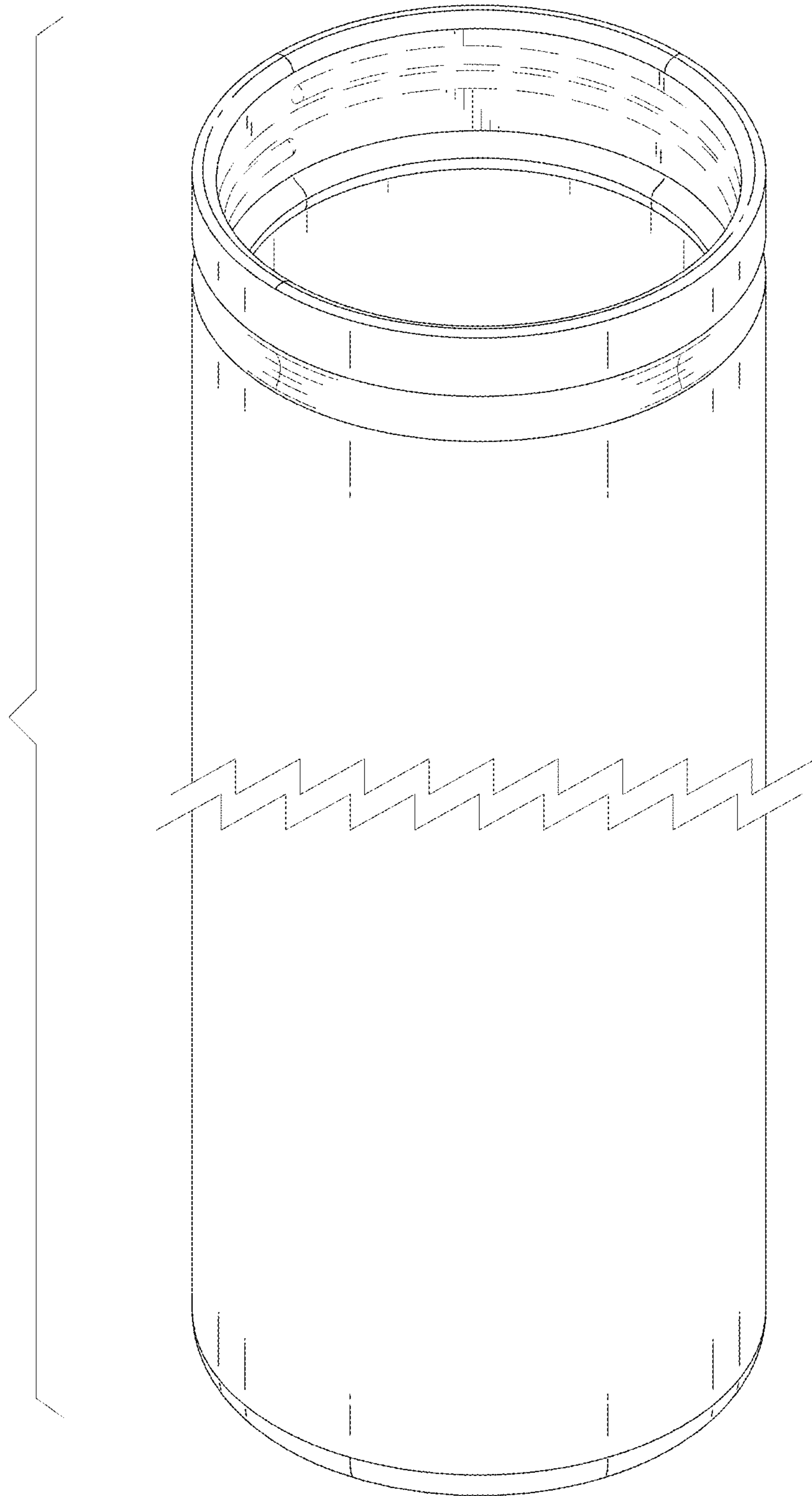


FIG. 1

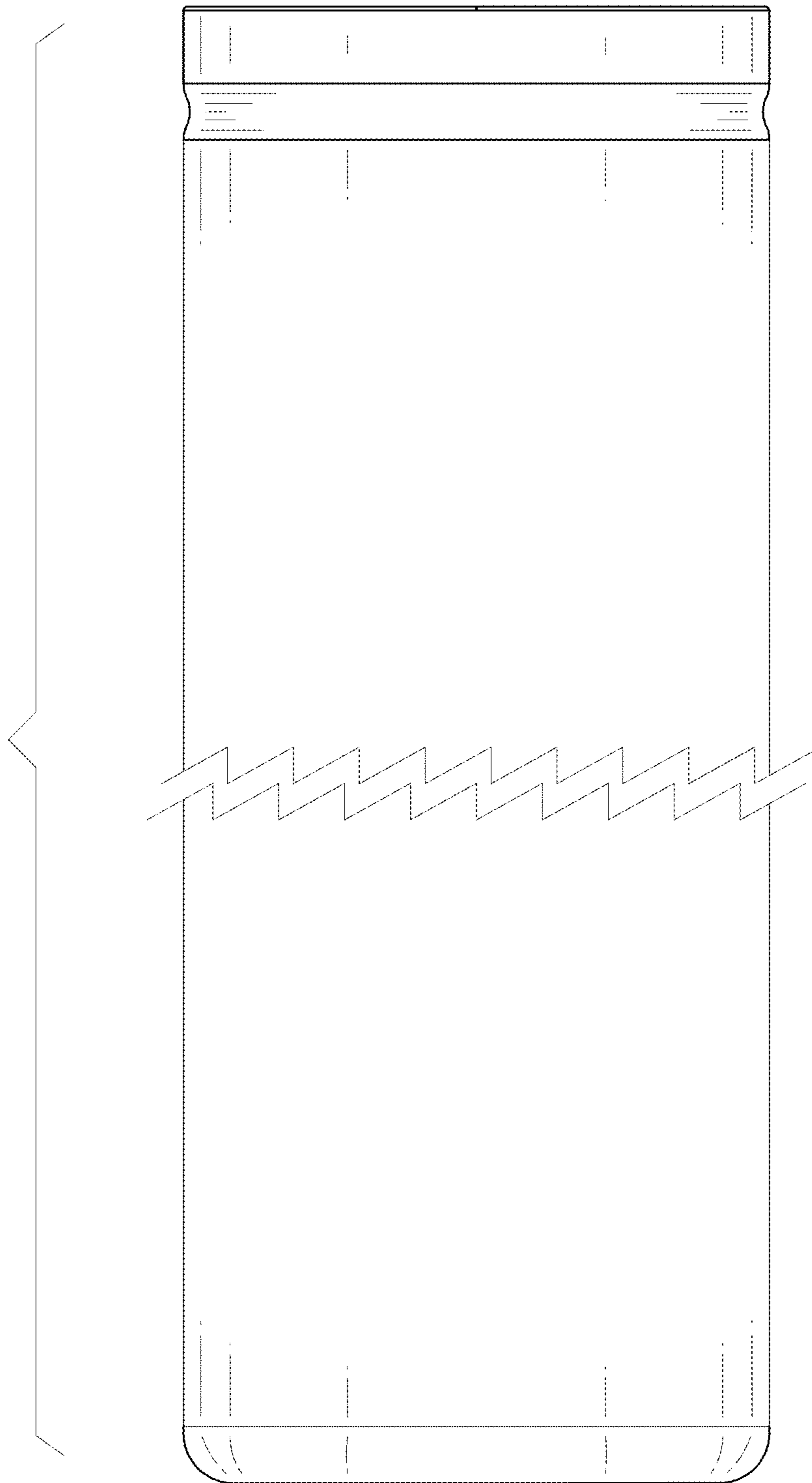


FIG. 2

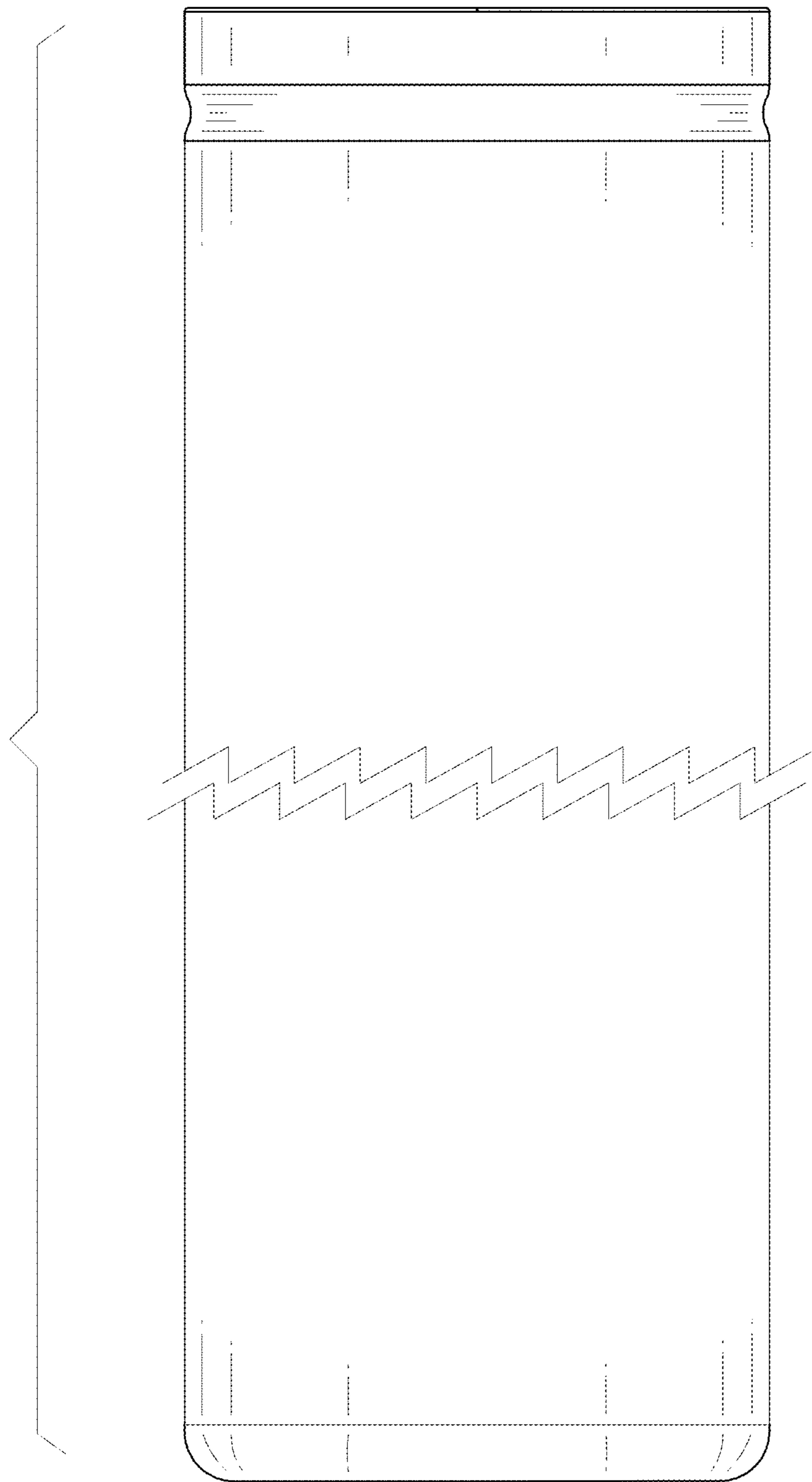


FIG. 3

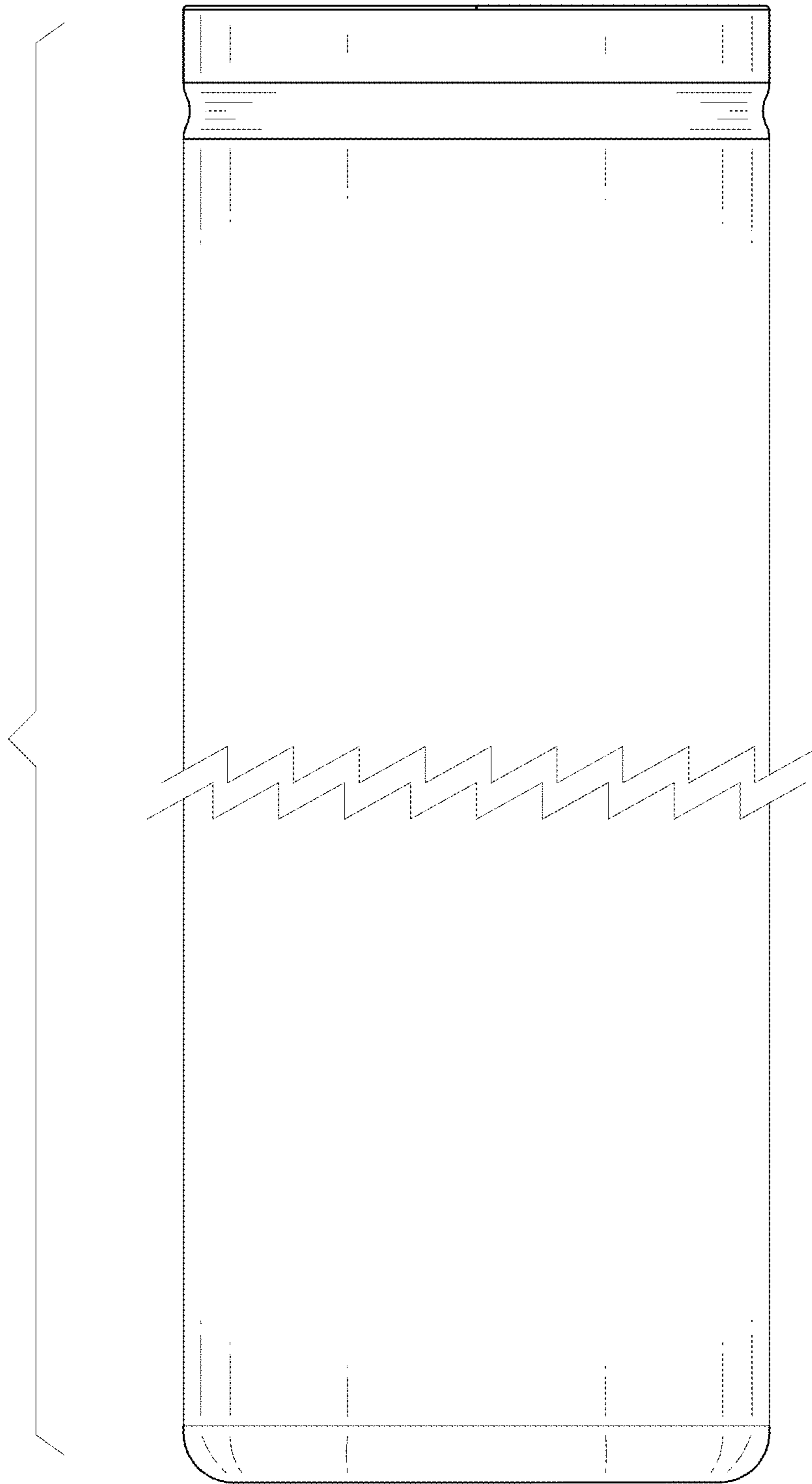


FIG. 4

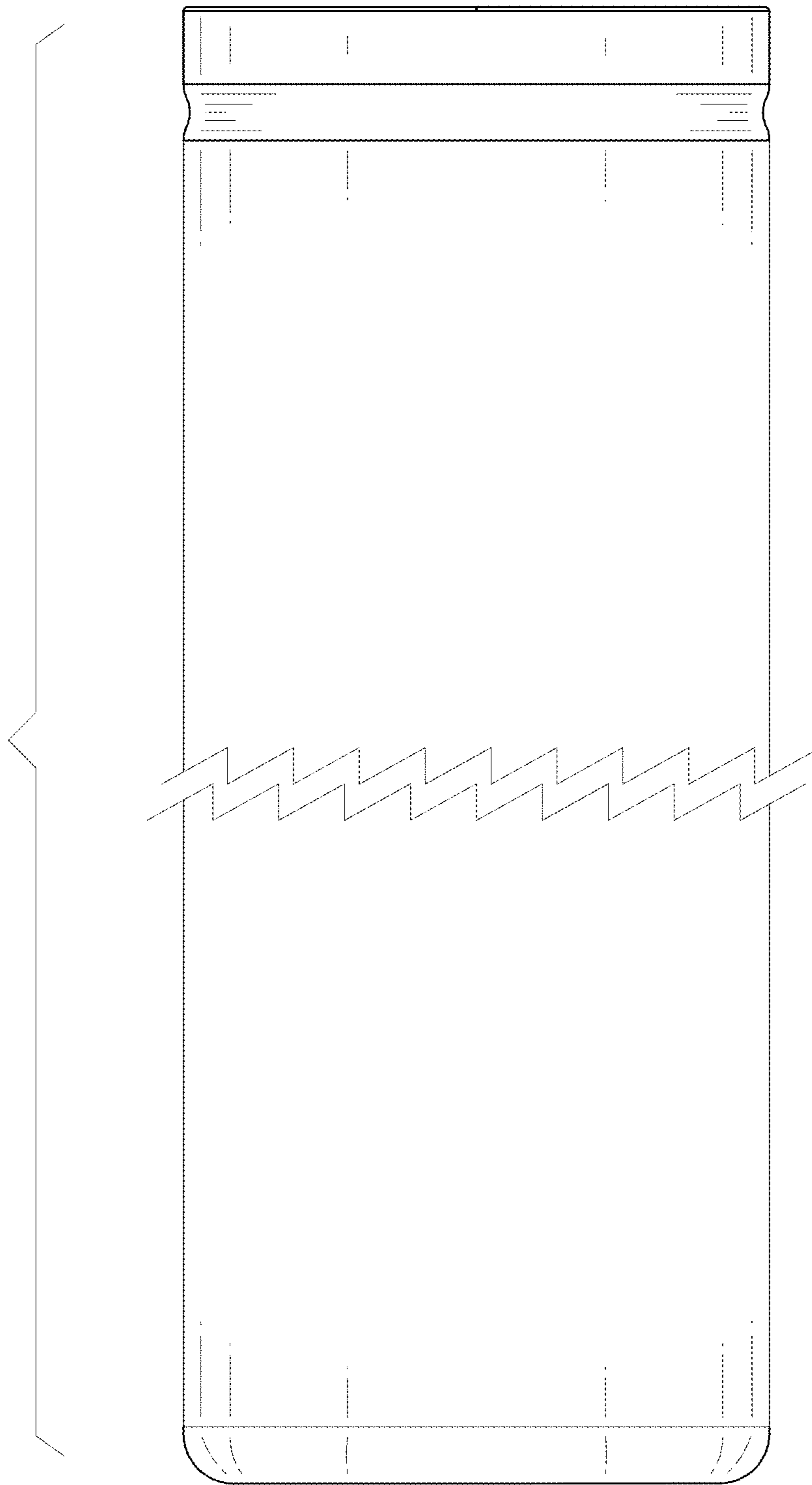


FIG. 5

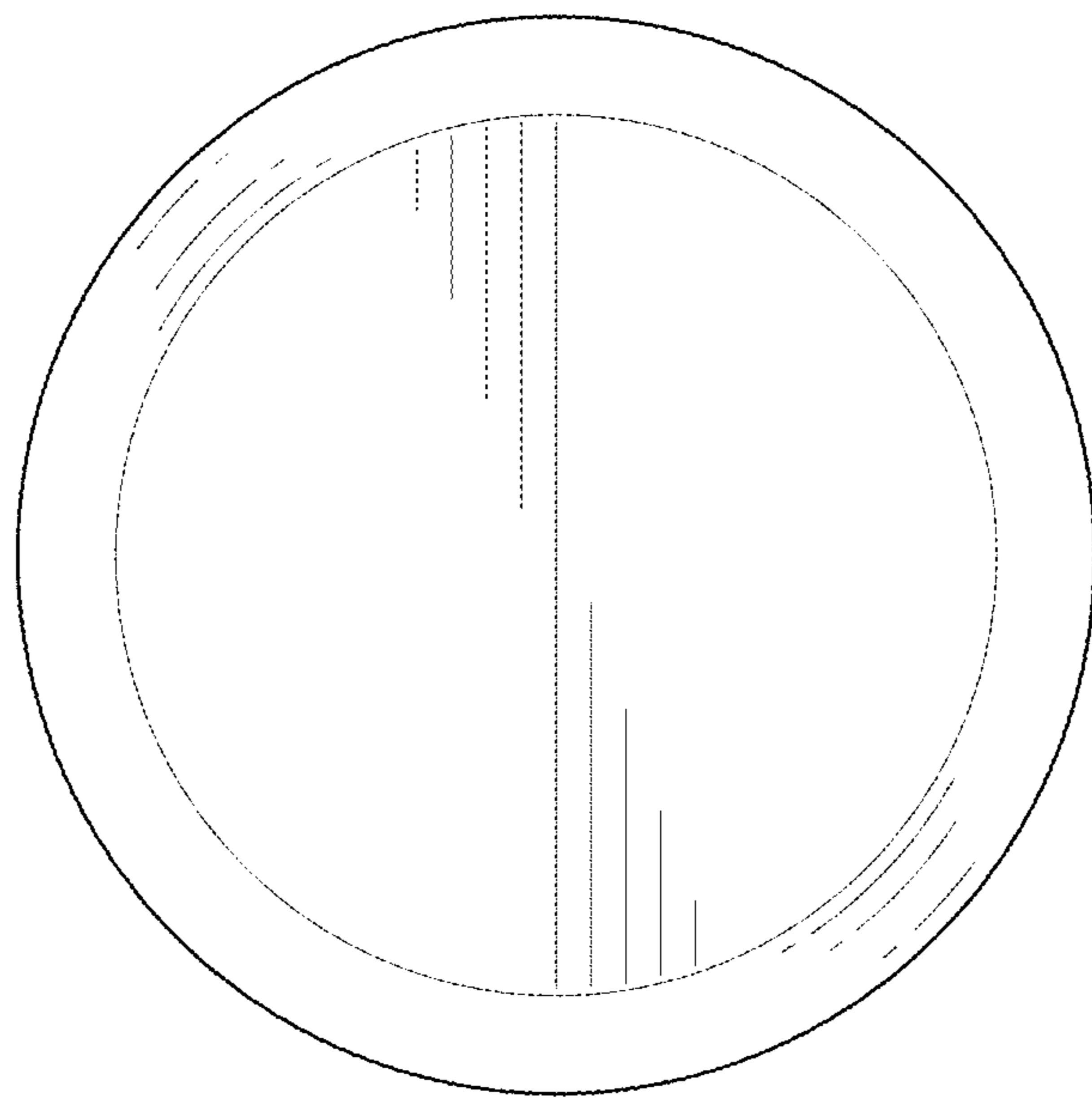


FIG. 6

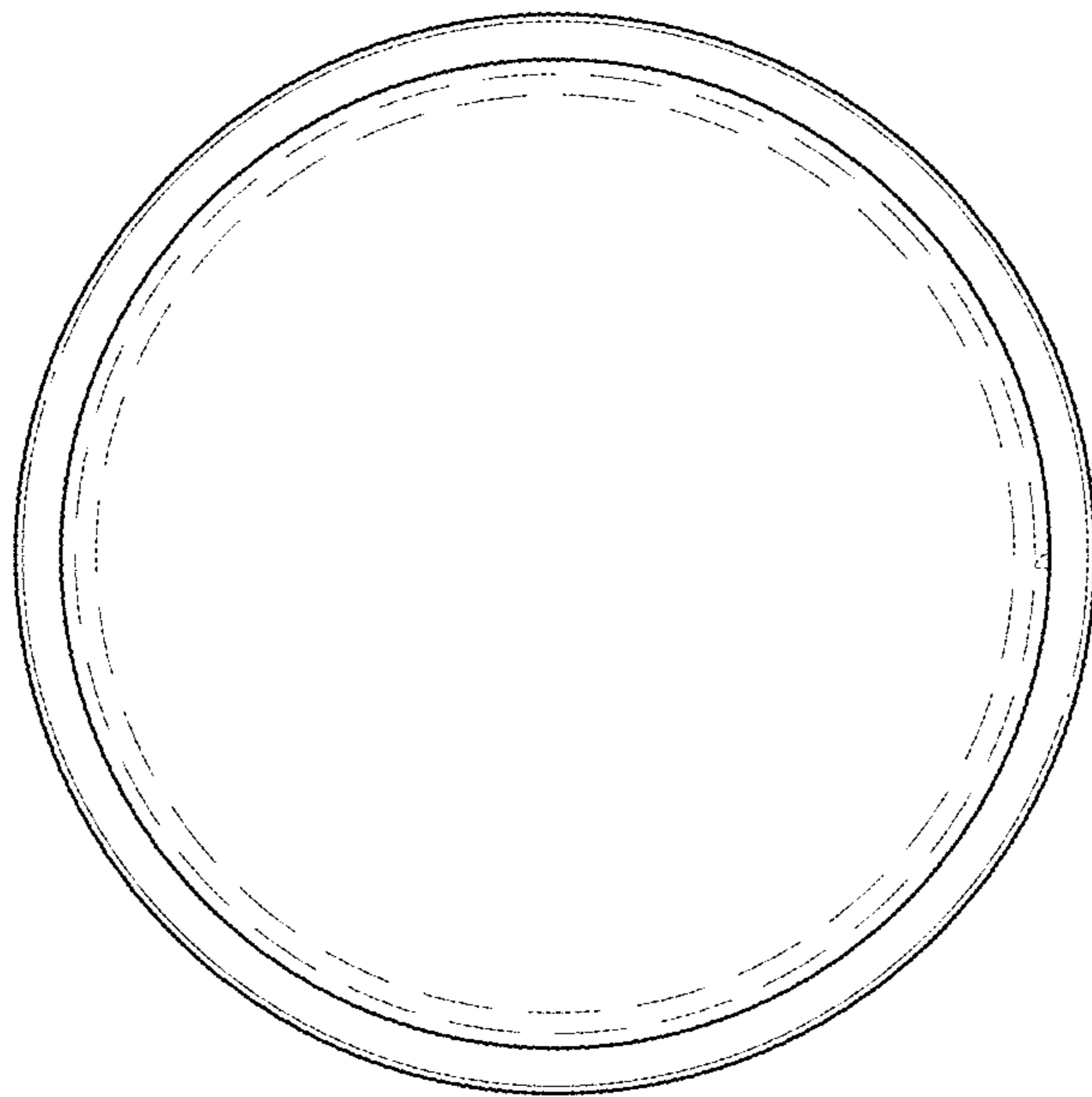


FIG. 7

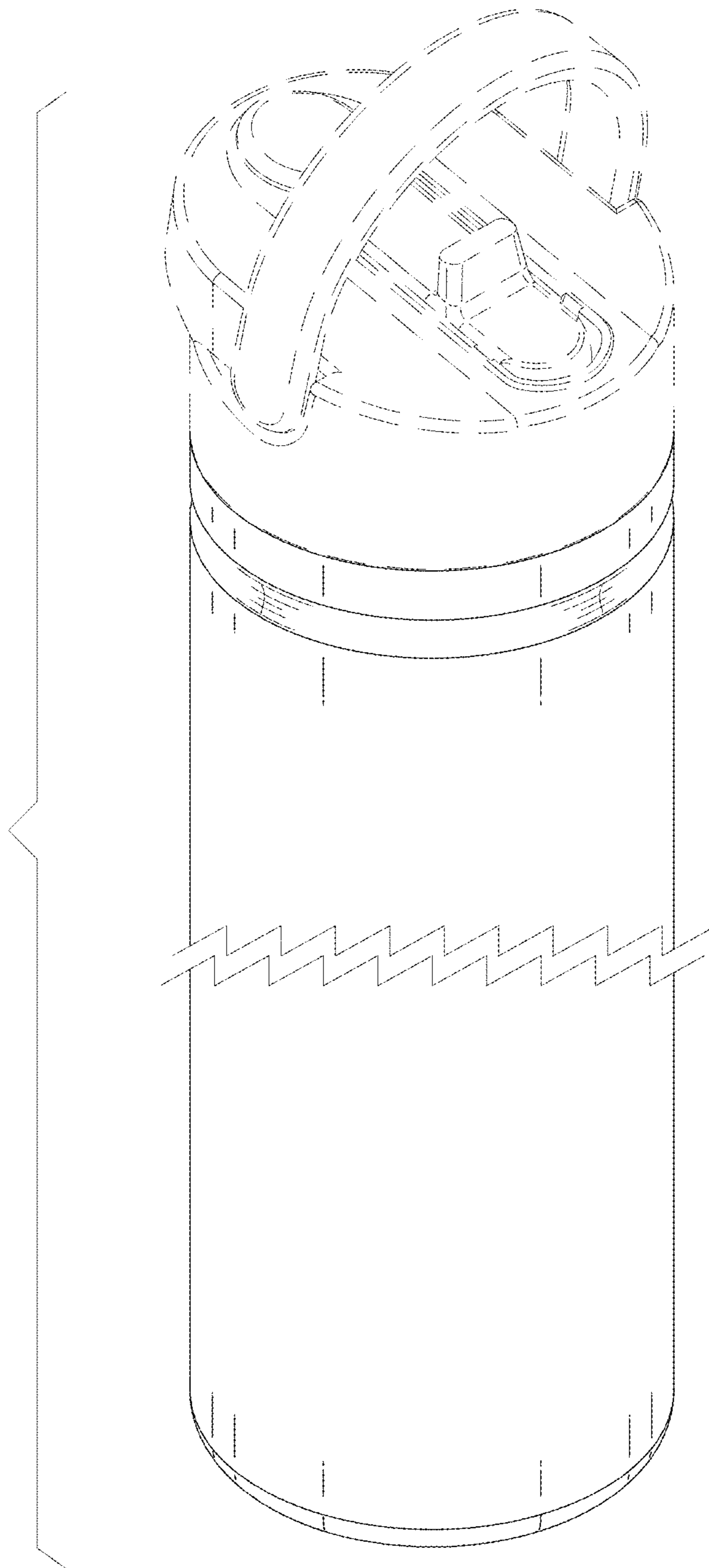


FIG. 8