



US00D968909S

(12) **United States Design Patent**
Wood

(10) **Patent No.:** **US D968,909 S**

(45) **Date of Patent:** **** Nov. 8, 2022**

(54) **BOTTLE**

(71) Applicant: **Chilly's Bottles Limited**, London (GB)

(72) Inventor: **James John Wood**, Bournemouth (GB)

(73) Assignee: **CHILLY'S BOTTLES LIMITED**

(**) Term: **15 Years**

(21) Appl. No.: **29/721,613**

(22) Filed: **Jan. 22, 2020**

(30) **Foreign Application Priority Data**

Jul. 23, 2019 (EM) 006643284-0001

(51) **LOC (13) Cl.** **07-01**

(52) **U.S. Cl.**
USPC **D7/608**; D7/511; D7/523; D9/532

(58) **Field of Classification Search**
USPC D3/202; D7/396.2, 507, 509-511, 523,
D7/605, 608; D9/500, 503, 504,
D9/530-532, 536-541, 543-546, 575
CPC A47G 19/16; A47G 19/22; A47G 19/2222;
A47G 19/2227; A47G 19/2238; A47G
19/2272; A47G 19/2288; A47G
2019/2238; A47G 23/16; A47J 41/0011;
A47J 41/02; A47J 41/022; A47J 41/028;
B65D 51/242

See application file for complete search history.

(56) **References Cited**

U.S. PATENT DOCUMENTS

D225,210 S * 11/1972 Becker D9/500
D354,915 S * 1/1995 Schneider D9/504
D456,266 S * 4/2002 Cross B65D 81/3841
D9/504
D554,000 S * 10/2007 Walsh B65D 1/0207
D9/777
D611,346 S * 3/2010 Camomile D9/504
D638,708 S * 5/2011 Walsh D9/500

D651,086 S * 12/2011 Gullickson D9/504
D782,881 S * 4/2017 Seiders D9/504
D786,012 S * 5/2017 Hein D7/396.2
D788,544 S * 6/2017 Seiders D9/504
D806,468 S * 1/2018 Goodwin B65D 1/0207
D7/392.1

(Continued)

FOREIGN PATENT DOCUMENTS

CA 183210 * 5/2019
CN 302839901 * 6/2014 B65D 23/08

(Continued)

OTHER PUBLICATIONS

Amazon.com, "Brita Stainless Steel Water Filter Bottle," Dec. 1, 2018, Amazon.com, www.amazon.com/dp/B07H194G87?th=1 (Year: 2018).*

(Continued)

Primary Examiner — Joseph Kukella

Assistant Examiner — Arva P Adams

(74) *Attorney, Agent, or Firm* — McAndrews, Held & Malloy, Ltd.

(57)

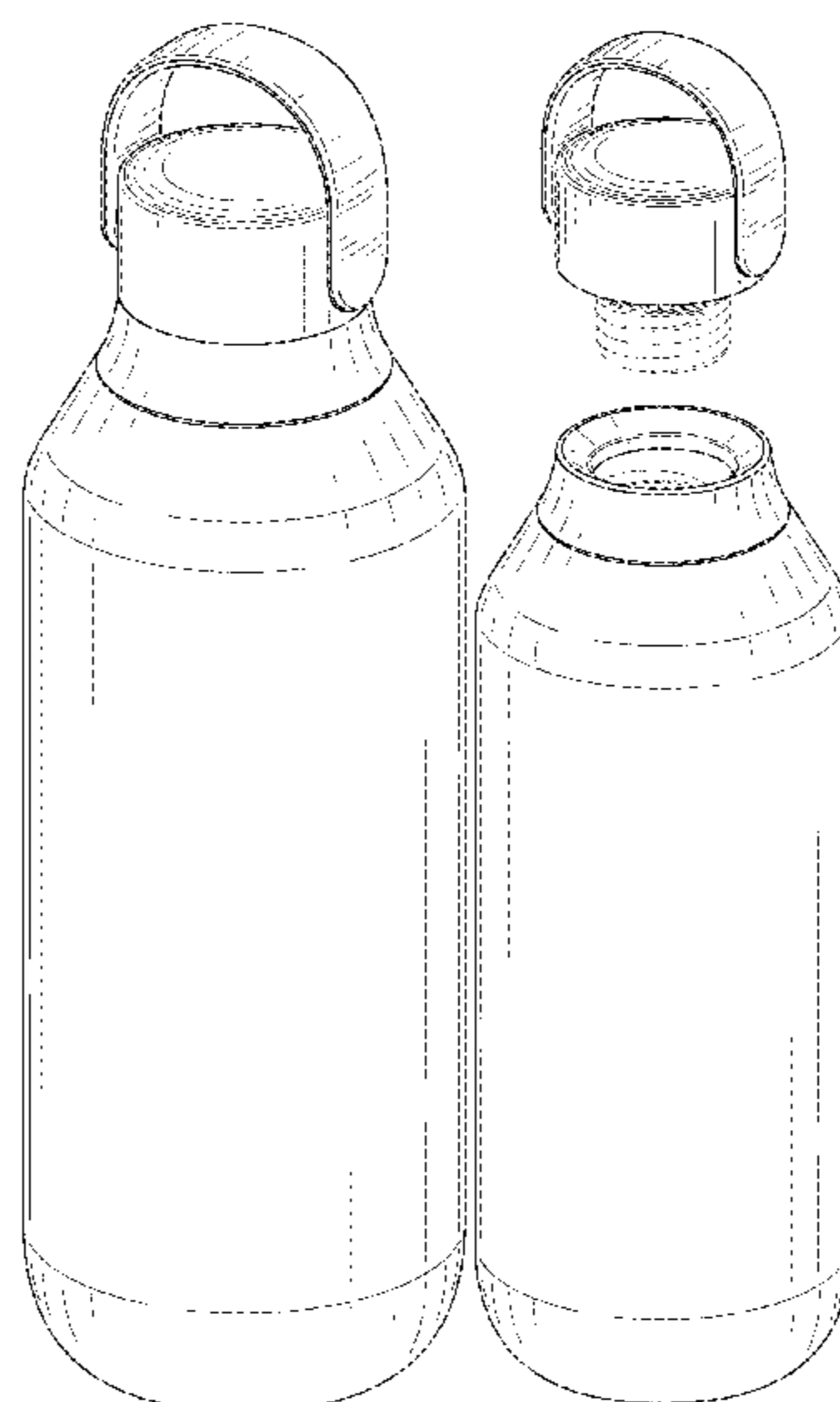
CLAIM

The ornamental design for a bottle, as shown and described.

DESCRIPTION

FIG. 1 is a front perspective view of a bottle showing my new design;
FIG. 2 is a front elevation view thereof;
FIG. 3 is a side elevation view thereof;
FIG. 4 is a top plan view thereof;
FIG. 5 is a bottom plan view thereof; and,
FIG. 6 is another front perspective view thereof, showing the cap in a removed position.
The dashed broken lines in the figures illustrate portions of the bottle that form no part of the claimed design.

1 Claim, 6 Drawing Sheets



(56)

References Cited

U.S. PATENT DOCUMENTS

D812,428 S * 3/2018 Wu B65D 1/0207
D9/503
D826,052 S * 8/2018 Harris D9/500
D857,446 S * 8/2019 Bell A47J 41/028
D7/392.1
D857,456 S * 8/2019 Bell D7/532
D911,111 S * 2/2021 Kauffman D7/532
D911,771 S * 3/2021 Zhang D7/392.1
D931,687 S * 9/2021 Volkoff D7/510
D944,056 S * 2/2022 Papparao D7/509
D947,597 S * 4/2022 Shi D7/392.1
2008/0011702 A1 * 1/2008 Walsh B65D 1/0207
215/44
2016/0318693 A1 * 11/2016 Hein B65D 81/3841
2018/0353011 A1 * 12/2018 Pinelli A47J 41/028

FOREIGN PATENT DOCUMENTS

CN 304775378 * 8/2018
CN 304996103 * 1/2019
EM 006643284-0001 * 11/2020

OTHER PUBLICATIONS

Chilly's, "Chilly's | Series 2 | Designing Series 2 | 4K," Nov. 27, 2020, YouTube, www.youtube.com/watch?v=nh2EUsSQ878 (Year: 2020).*

ReRoot, "Chillys Killing It," Oct. 12, 2021, Facebook, www.facebook.com/rerootmalta/posts/chillys-killing-itbeing-sustainable-is-thankfully-no-longer-just-about-finding-t/428334705302395/ (Year: 2021).*

* cited by examiner

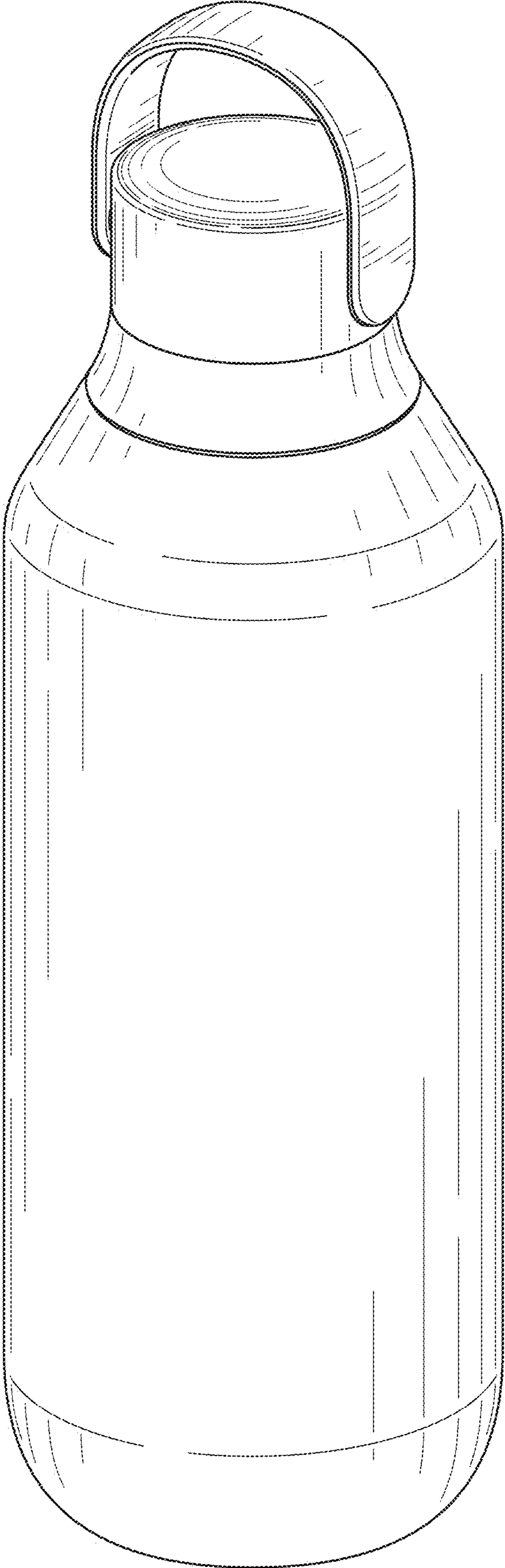


FIG. 1

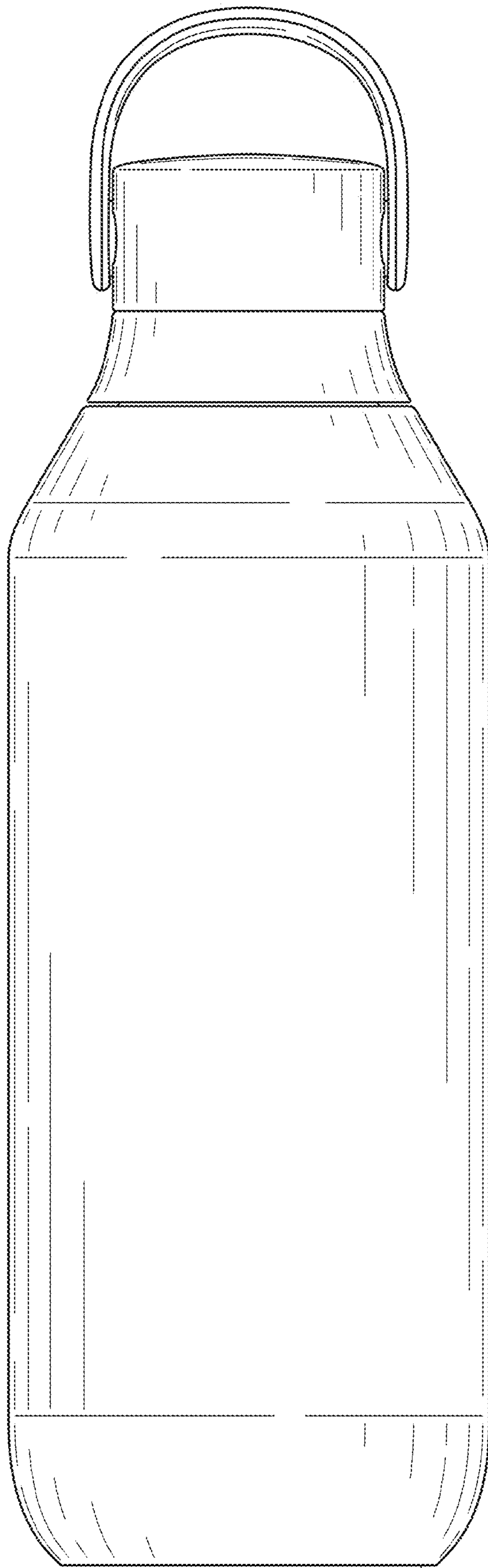


FIG. 2

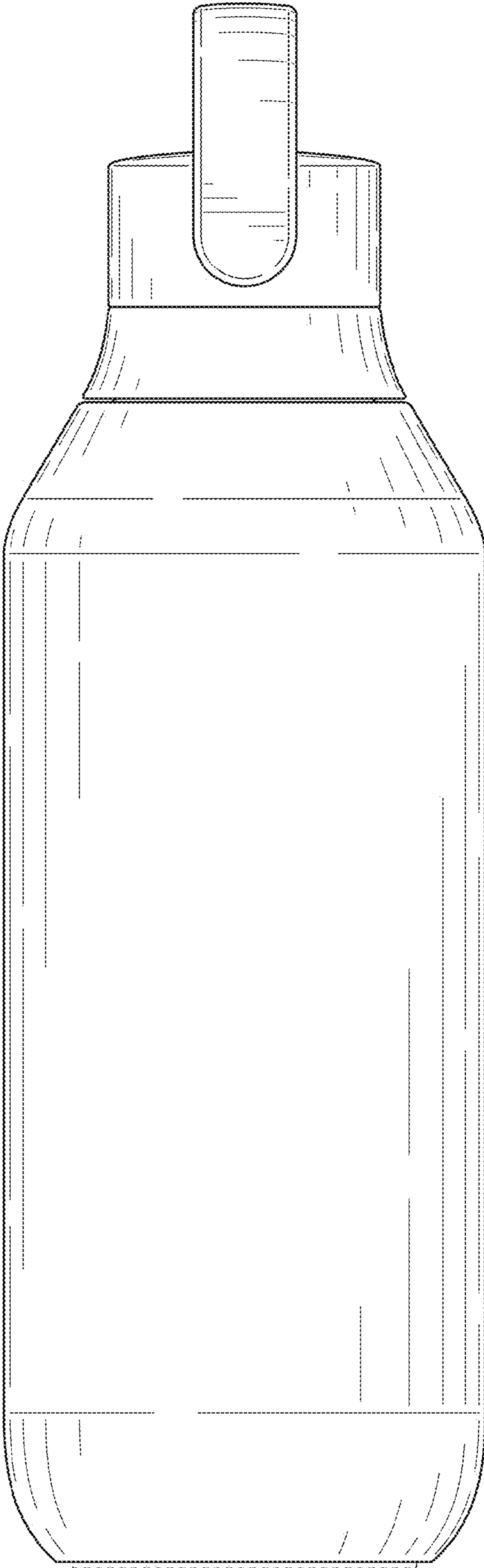


FIG. 3

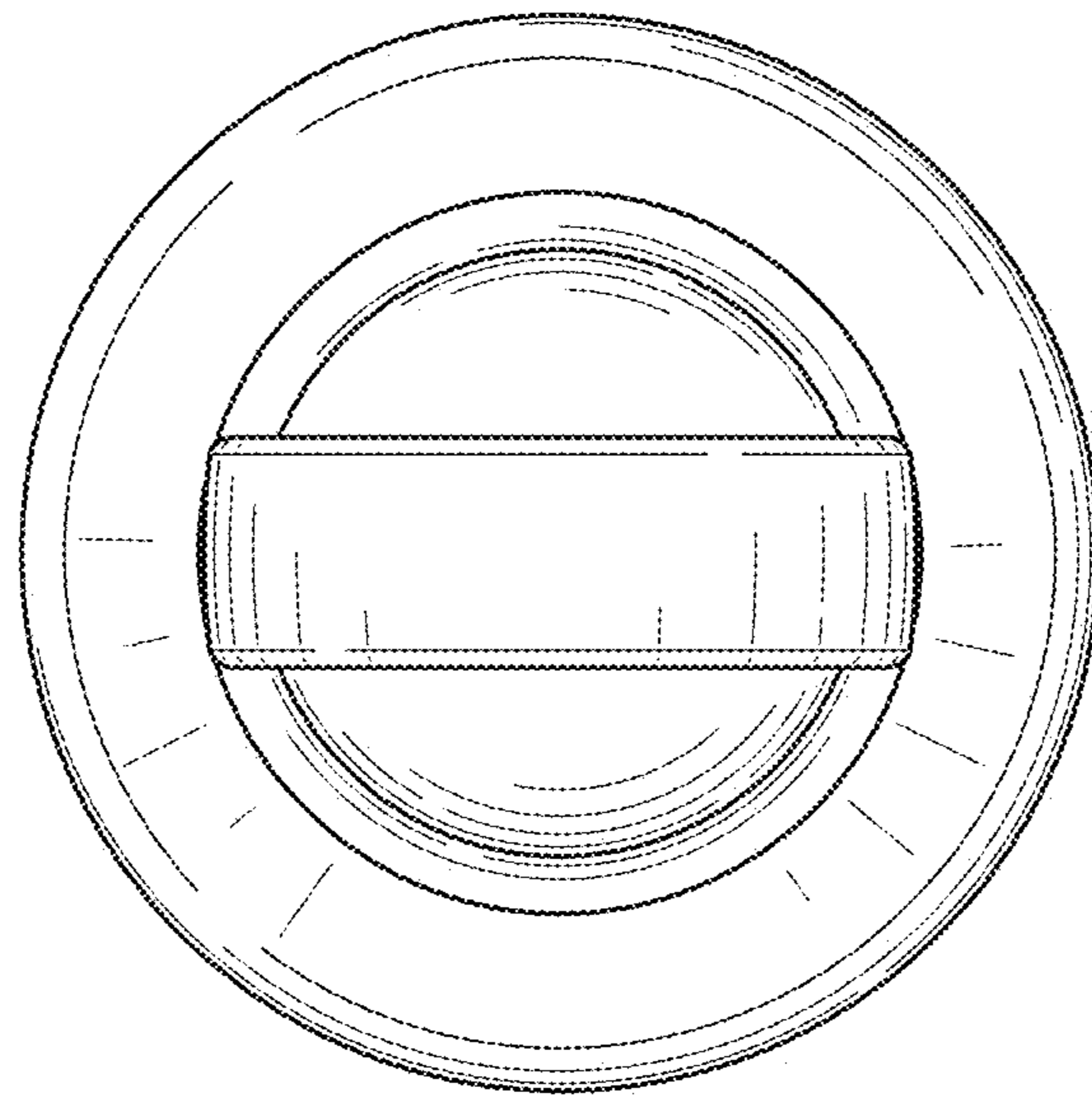


FIG. 4

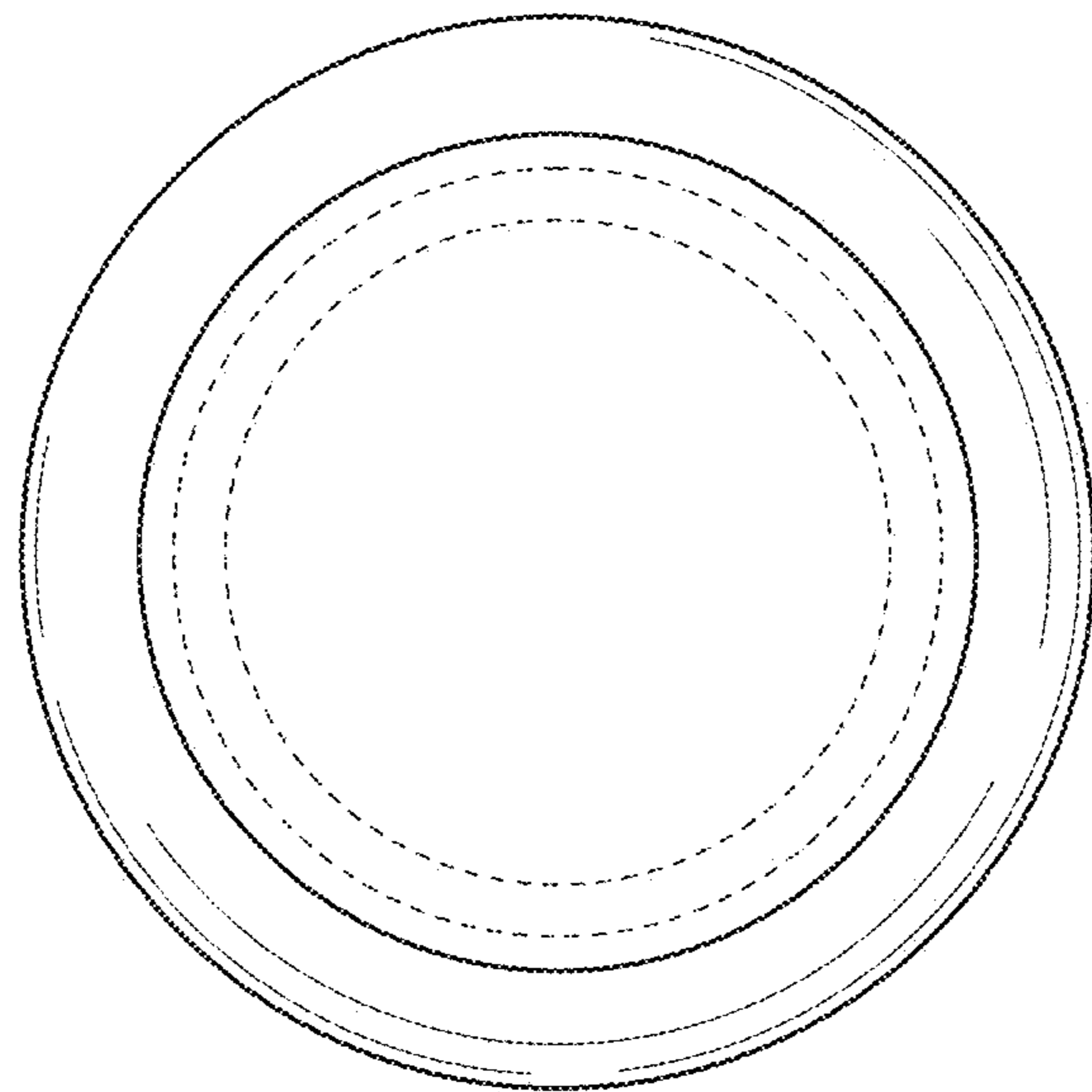


FIG. 5

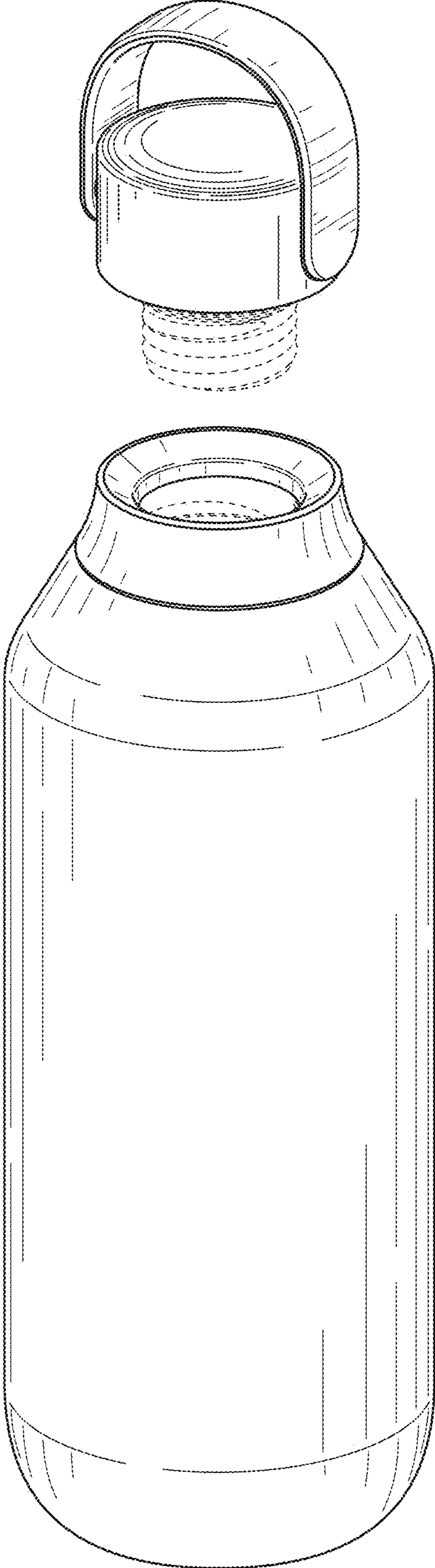


FIG. 6