



US00D968908S

(12) **United States Design Patent**  
**Nomura et al.**

(10) **Patent No.: US D968,908 S**

(45) **Date of Patent: \*\* Nov. 8, 2022**

- (54) **COOLER**
- (71) Applicant: **Wool Street LLC**, Portland, OR (US)
- (72) Inventors: **David Lee Nomura**, Portland, OR (US); **Brook Alison McLeod**, Portland, OR (US)
- (73) Assignee: **Wool Street LLC**, Portland, OR (US)
- (\*\*) Term: **15 Years**
- (21) Appl. No.: **29/734,934**
- (22) Filed: **May 15, 2020**
- (51) **LOC (13) Cl. .... 07-10**
- (52) **U.S. Cl.**  
USPC ..... **D7/605**
- (58) **Field of Classification Search**  
USPC ..... D3/217, 245, 289, 318; D7/313, 391, D7/603, 605, 606, 607, 608; D9/434  
CPC . B65D 1/00; B65D 1/22; B65D 81/18; B65D 81/2015; B65D 81/2038; B65D 81/38; B65D 81/3806; B65D 81/3813; B65D 81/3818; B65D 81/383  
See application file for complete search history.

- D925,296 S \* 7/2021 Bullock ..... B65D 45/24 D7/605
- D929,189 S \* 8/2021 Pennington ..... D7/605
- D938,783 S \* 12/2021 Whitehead ..... A45C 9/00 D7/605
- D942,812 S \* 2/2022 Luo ..... F25D 3/06 D7/605
- 2020/0370820 A1\* 11/2020 Nomura ..... F25D 23/065
- 2021/0262724 A1\* 8/2021 Chen ..... F25D 3/06
- 2021/0316934 A1\* 10/2021 Fabela ..... A45C 9/00

\* cited by examiner

*Primary Examiner* — Joseph Kukella  
*Assistant Examiner* — Darryl J Dardenne  
(74) *Attorney, Agent, or Firm* — Klarquist Sparkman, LLP

(57) **CLAIM**

The ornamental design for a cooler, as shown and described.

**DESCRIPTION**

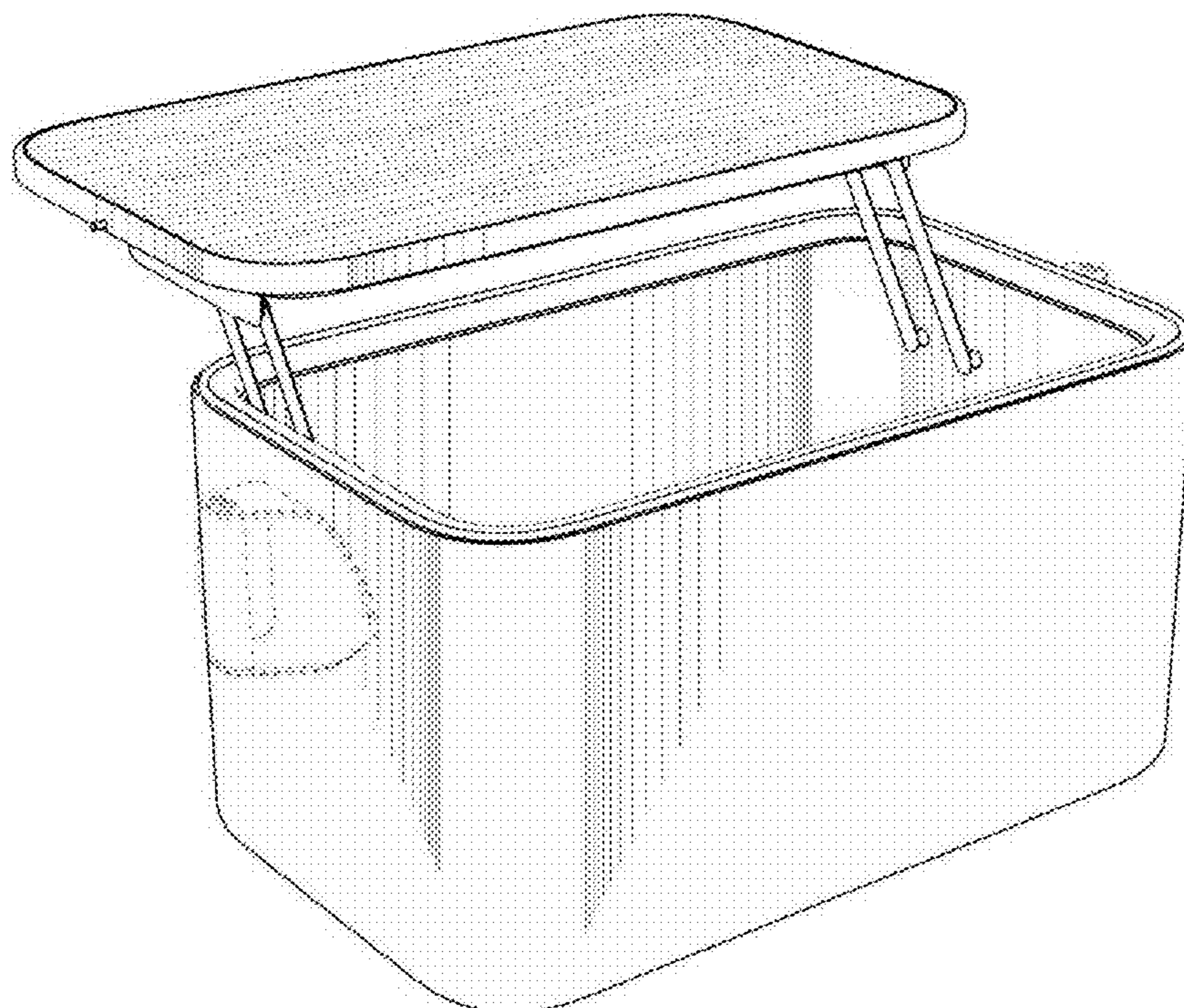
FIG. 1 is a perspective view of a cooler with an open lid that has an upper surface that includes a wood layer.  
FIG. 2 is a right side view of the cooler of FIG. 1.  
FIG. 3 is a left side view of the cooler of FIG. 1.  
FIG. 4 is a top view of the cooler of FIG. 1.  
FIG. 5 is a bottom view of the cooler of FIG. 1.  
FIG. 6 is a front view of the cooler of FIG. 1; and,  
FIG. 7 is a rear view of the cooler of FIG. 1.  
The broken lines in the figures illustrate the environment of the claimed design and form no part of the claimed design. The boundary lines in the drawings indicate that any portion of the article beyond what is shown forms no part of the claimed design.

**1 Claim, 7 Drawing Sheets**

(56) **References Cited**

U.S. PATENT DOCUMENTS

- D352,420 S \* 11/1994 Costello ..... F25D 23/065 D7/323
- D642,870 S \* 8/2011 Whitlock ..... D3/289
- D821,155 S \* 6/2018 Rane ..... D7/605
- D827,386 S \* 9/2018 Ichikawa ..... B65D 45/24 D7/605



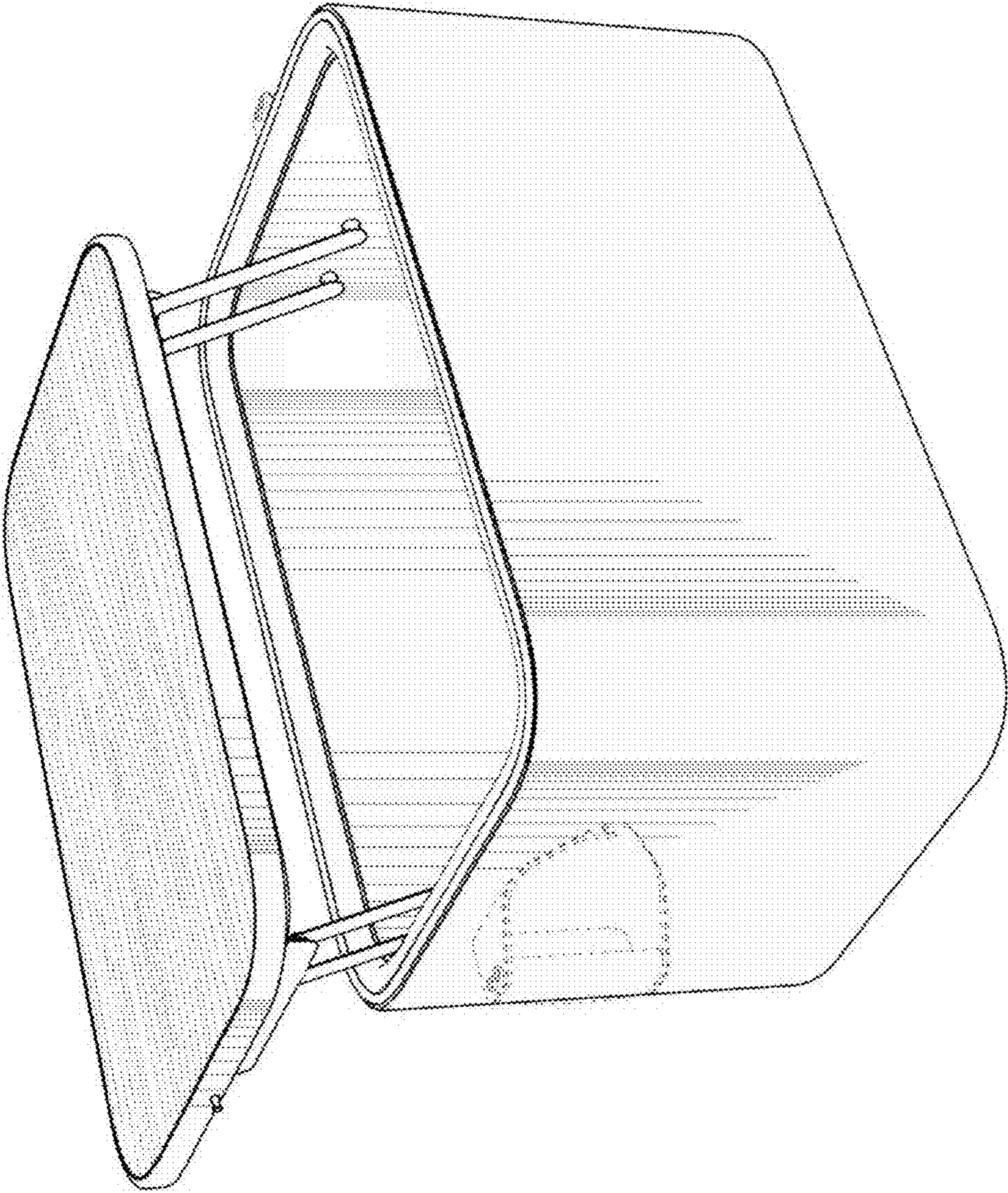


FIG. 1

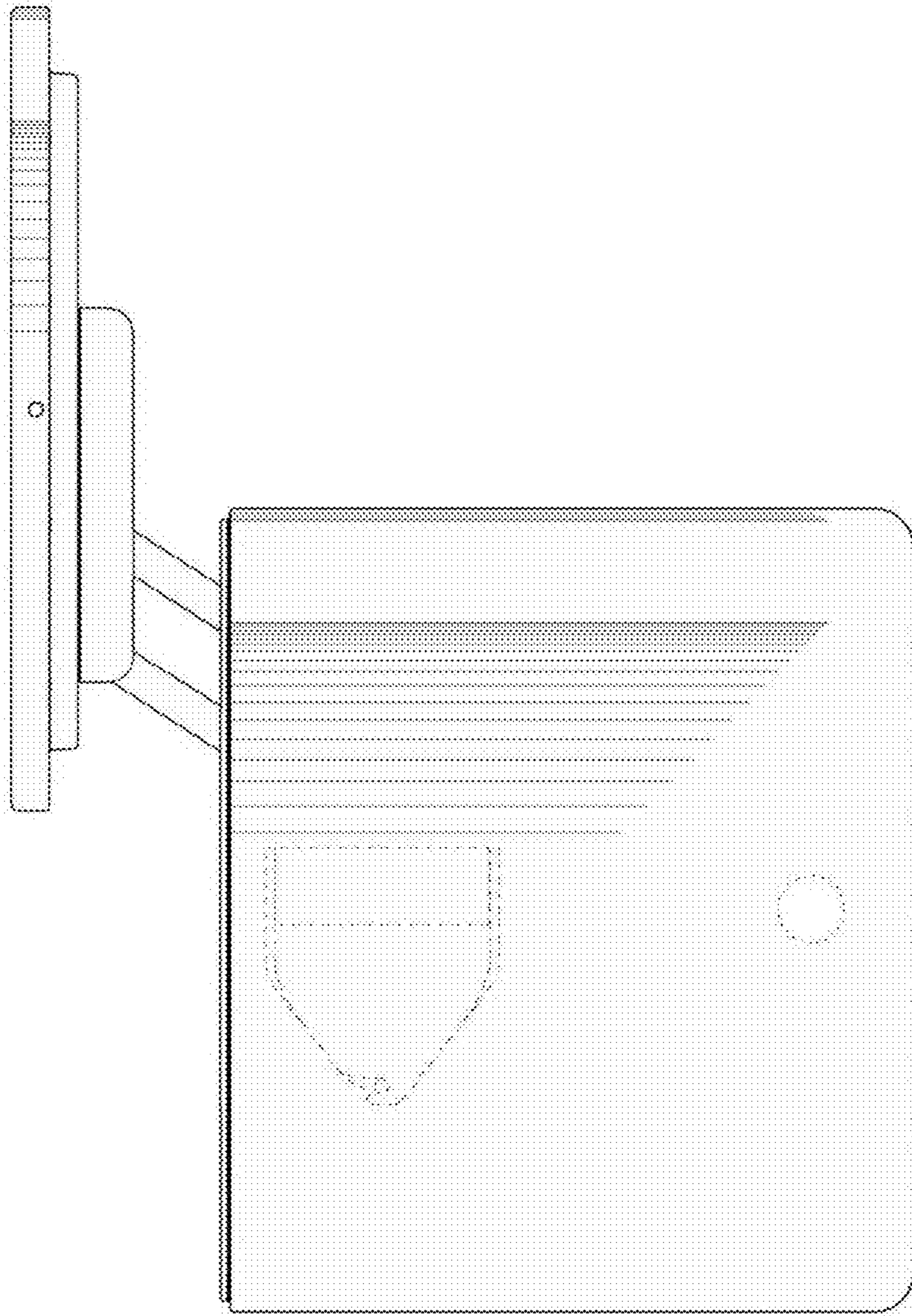


FIG. 2

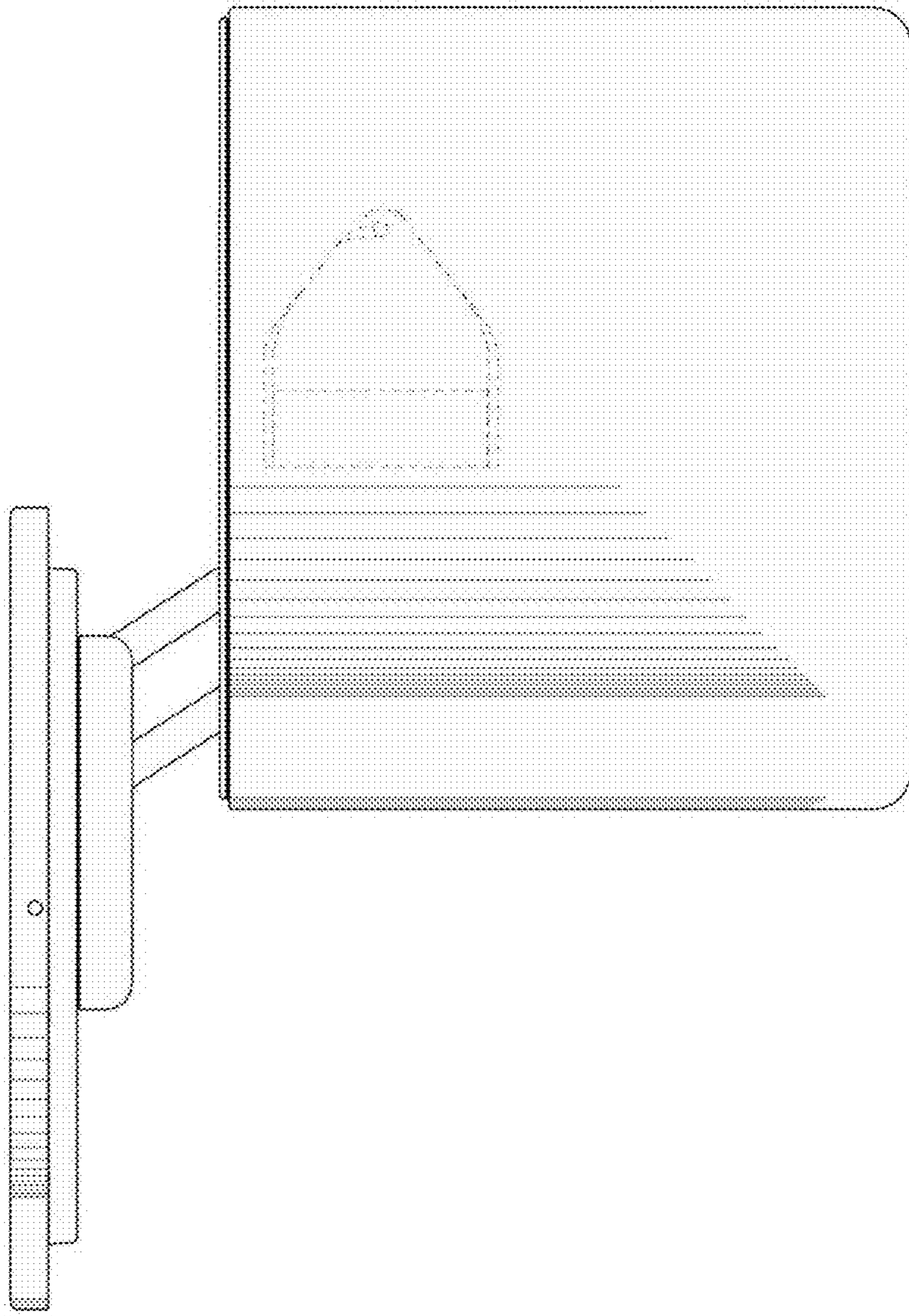


FIG. 3

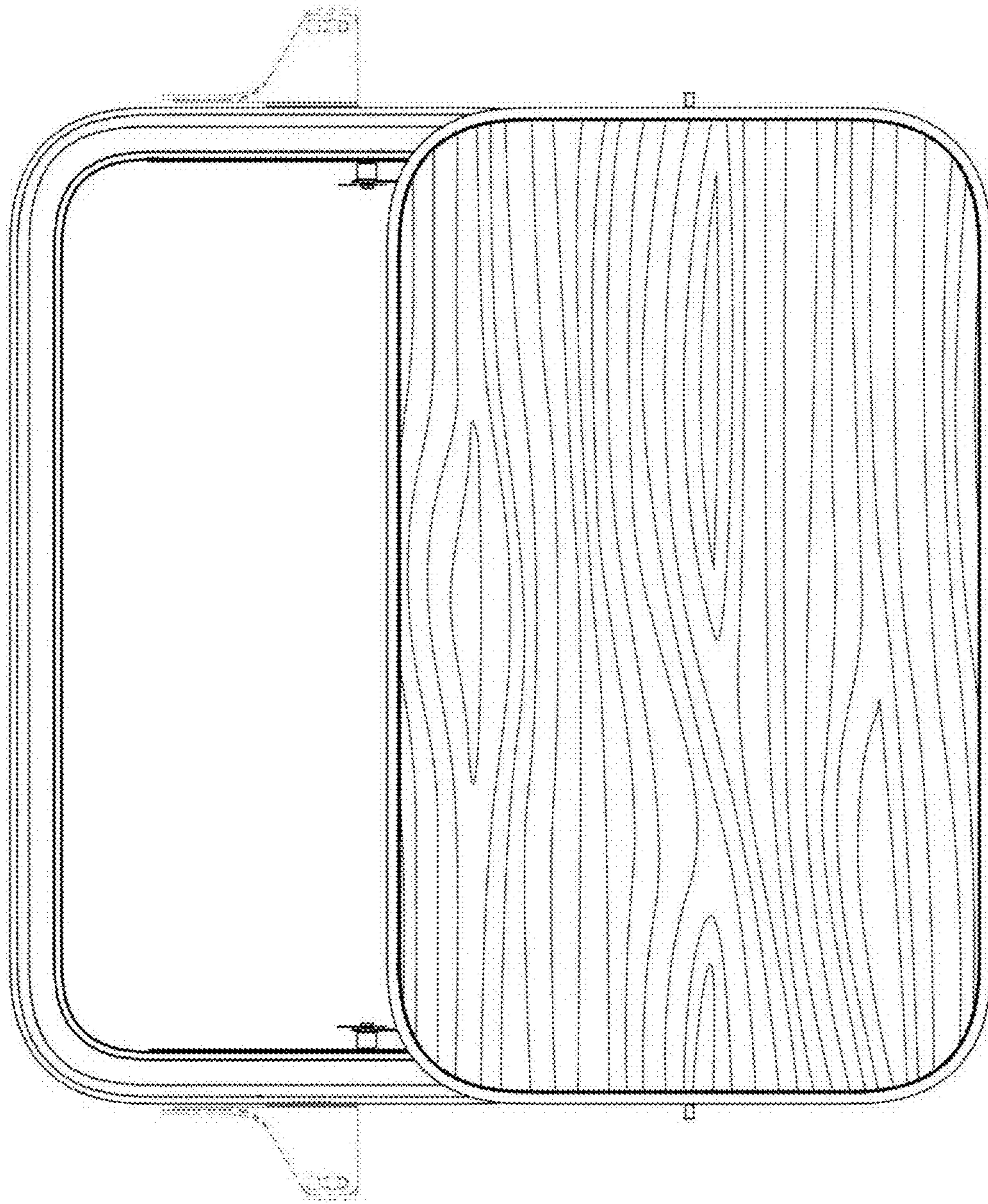


FIG. 4

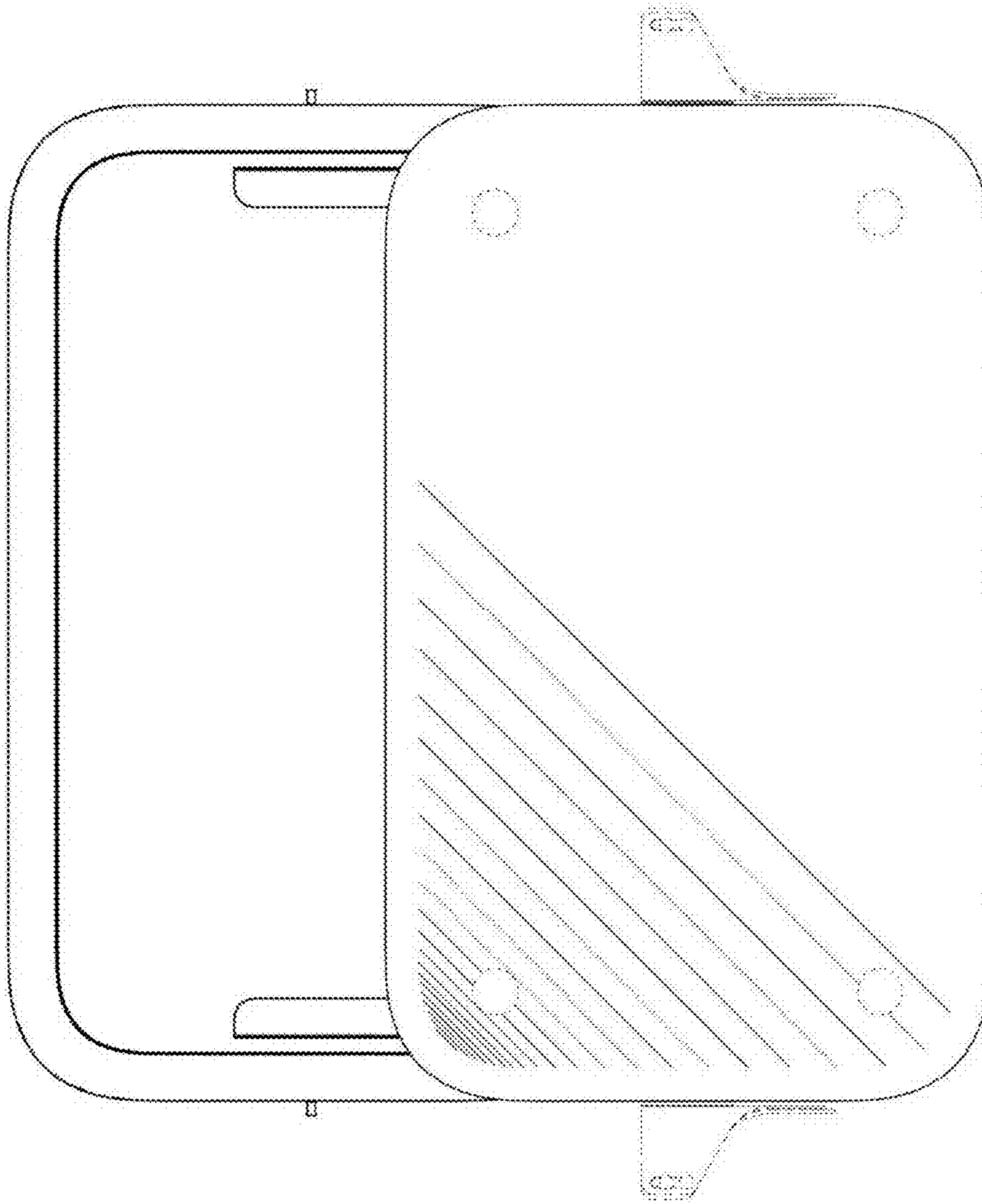


FIG. 5

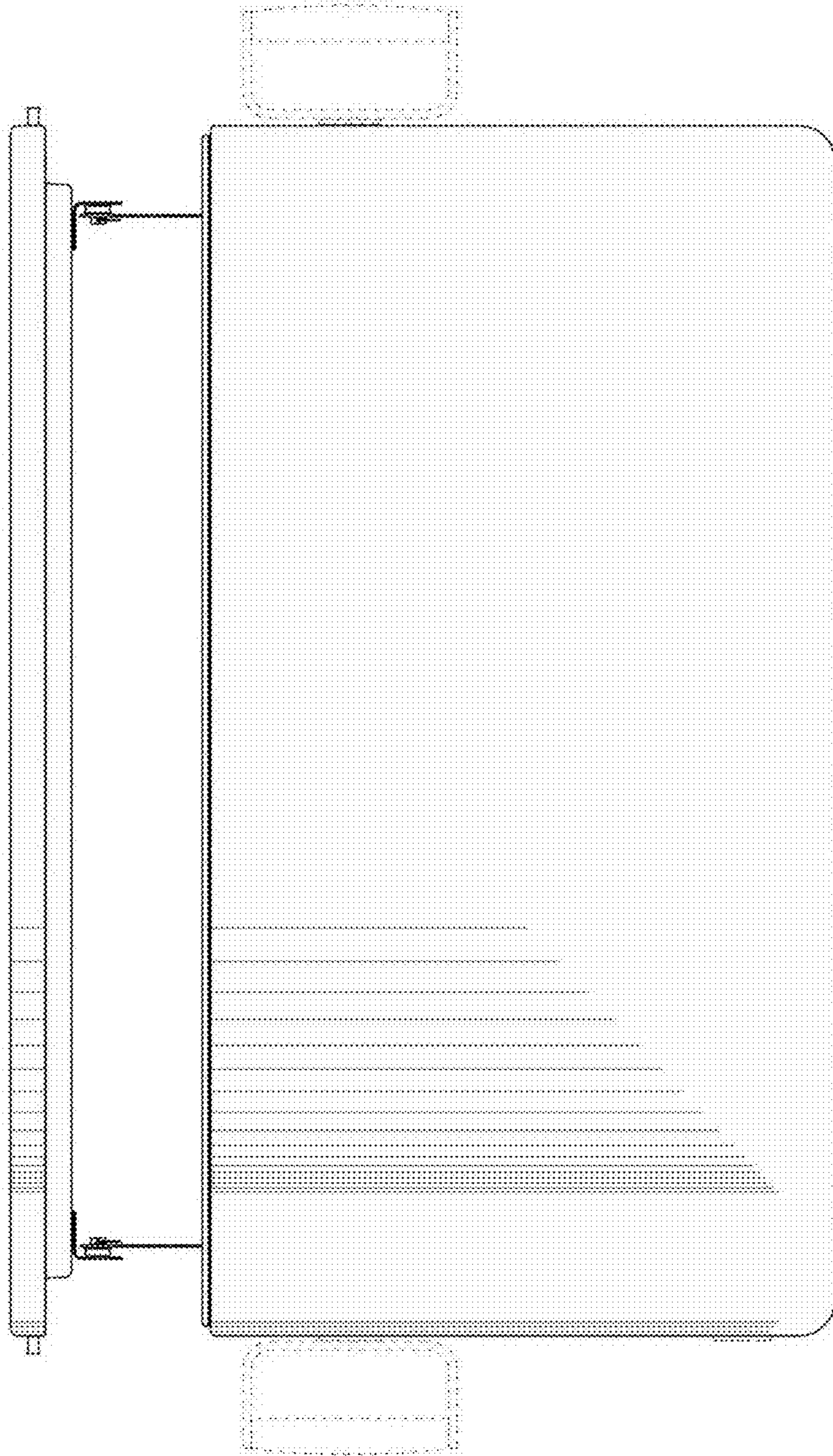


FIG. 6

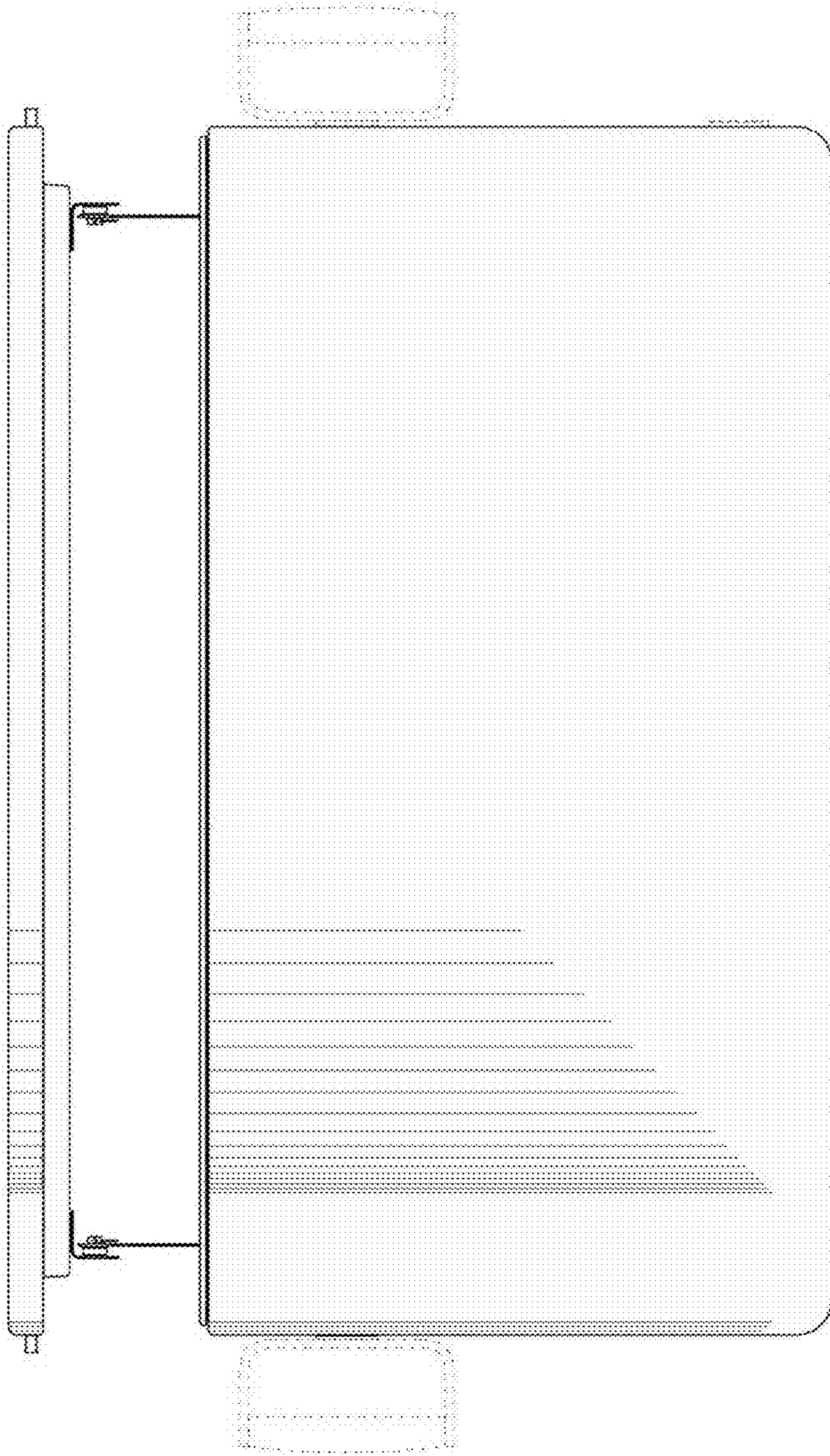


FIG. 7