



US00D968906S

(12) **United States Design Patent**
Newkirk

(10) **Patent No.:** **US D968,906 S**

(45) **Date of Patent:** **** Nov. 8, 2022**

(54) **STRUT MOUNTED BEVERAGE BUCKET**

(71) Applicant: **Cody James Newkirk**, Huntington Beach, CA (US)

(72) Inventor: **Cody James Newkirk**, Huntington Beach, CA (US)

(**) Term: **15 Years**

(21) Appl. No.: **29/770,297**

(22) Filed: **Feb. 11, 2021**

(51) **LOC (13) Cl.** **07-01**

(52) **U.S. Cl.**
USPC **D7/603**

(58) **Field of Classification Search**
USPC D7/603-608; D22/147
CPC F25D 3/08; F25D 3/02; F25D 3/06; F25D 3/14; F25D 3/107; F25D 2331/804; F25D 2331/801; B65D 81/38; B65D 81/3813; B65D 81/3816; B65D 81/3818; B65D 81/382; B65D 81/3823; B65D 81/3825; B65D 81/3827; B65D 81/383; B65D 81/3832; B65D 81/3834; B65D 81/3848; B65D 81/3851; B65D 81/3853; B65D 81/3855; B65D 81/3858; B65D 81/386; B65D 81/3874; A45C 11/20; A45C 3/00; A45C 2003/008; A01K 97/10
See application file for complete search history.

(56) **References Cited**

U.S. PATENT DOCUMENTS

D190,778 S * 6/1961 Brooks D7/605
3,010,687 A * 11/1961 Hagberg A01K 97/10
248/314

D255,259 S * 6/1980 Nelson D22/147
D260,067 S * 8/1981 Dark D7/603
D407,606 S * 4/1999 Carrere D7/603
D407,608 S * 4/1999 Carrere D7/603
D486,700 S * 2/2004 Wright D7/603
D530,156 S * 10/2006 Moore D7/603
D717,123 S * 11/2014 Epstein D7/602

OTHER PUBLICATIONS

Amazon.com, BEV Bucket, ASIN: B09D9PZT3Z, 5 pages, date first available Aug. 21, 2021 (Year: 2021).*

* cited by examiner

Primary Examiner — Terry A Wallace
(74) *Attorney, Agent, or Firm* — The Law Office of Kevin M. Welch

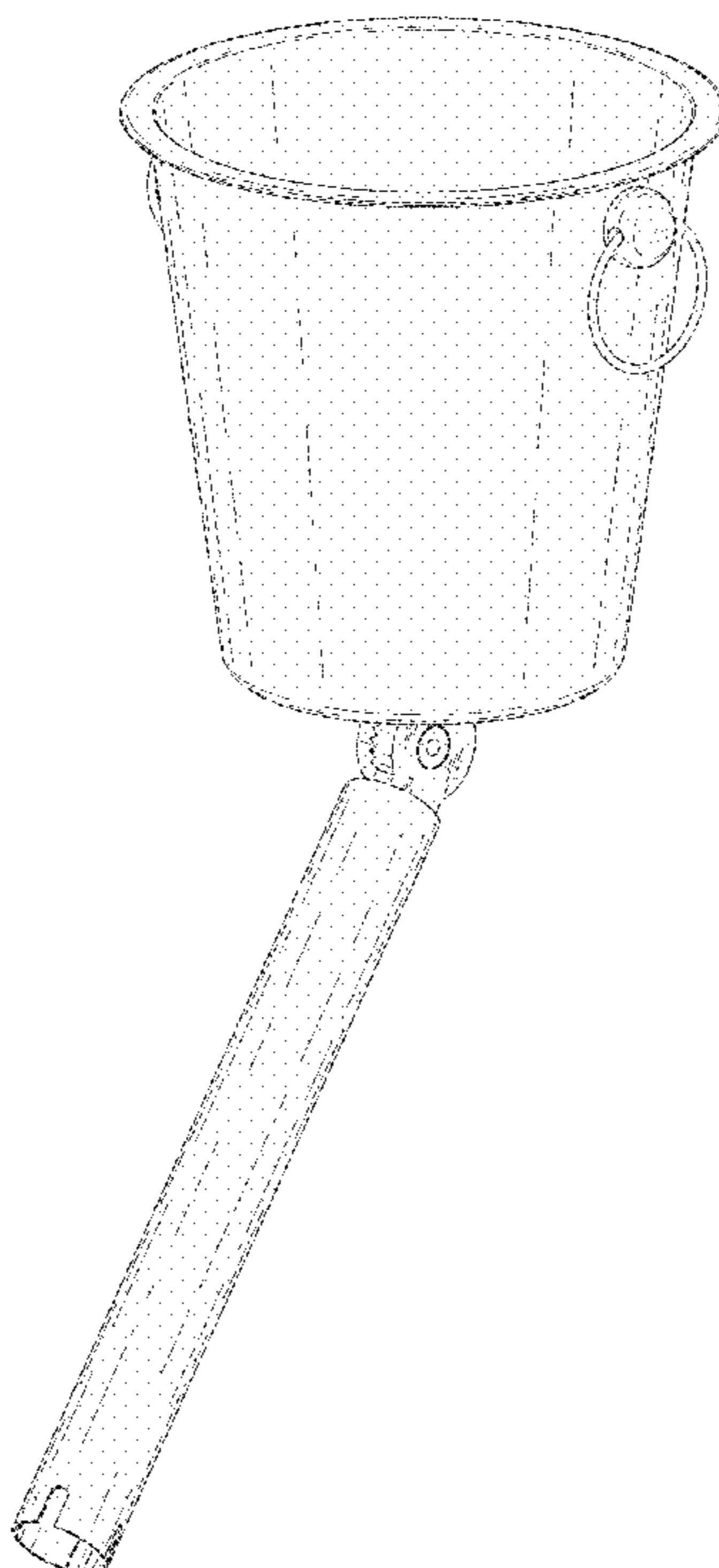
(57) **CLAIM**

The ornamental design for a strut mounted beverage bucket, as shown.

DESCRIPTION

FIG. 1 is a top, front, right side perspective view of the strut mounted beverage bucket showing my new design.
FIG. 2 is a right side view thereof.
FIG. 3 is a left side view thereof.
FIG. 4 is a rear view thereof.
FIG. 5 is a front view thereof.
FIG. 6 is a top plan view thereof; and,
FIG. 7 is a bottom plan view thereof.

1 Claim, 6 Drawing Sheets



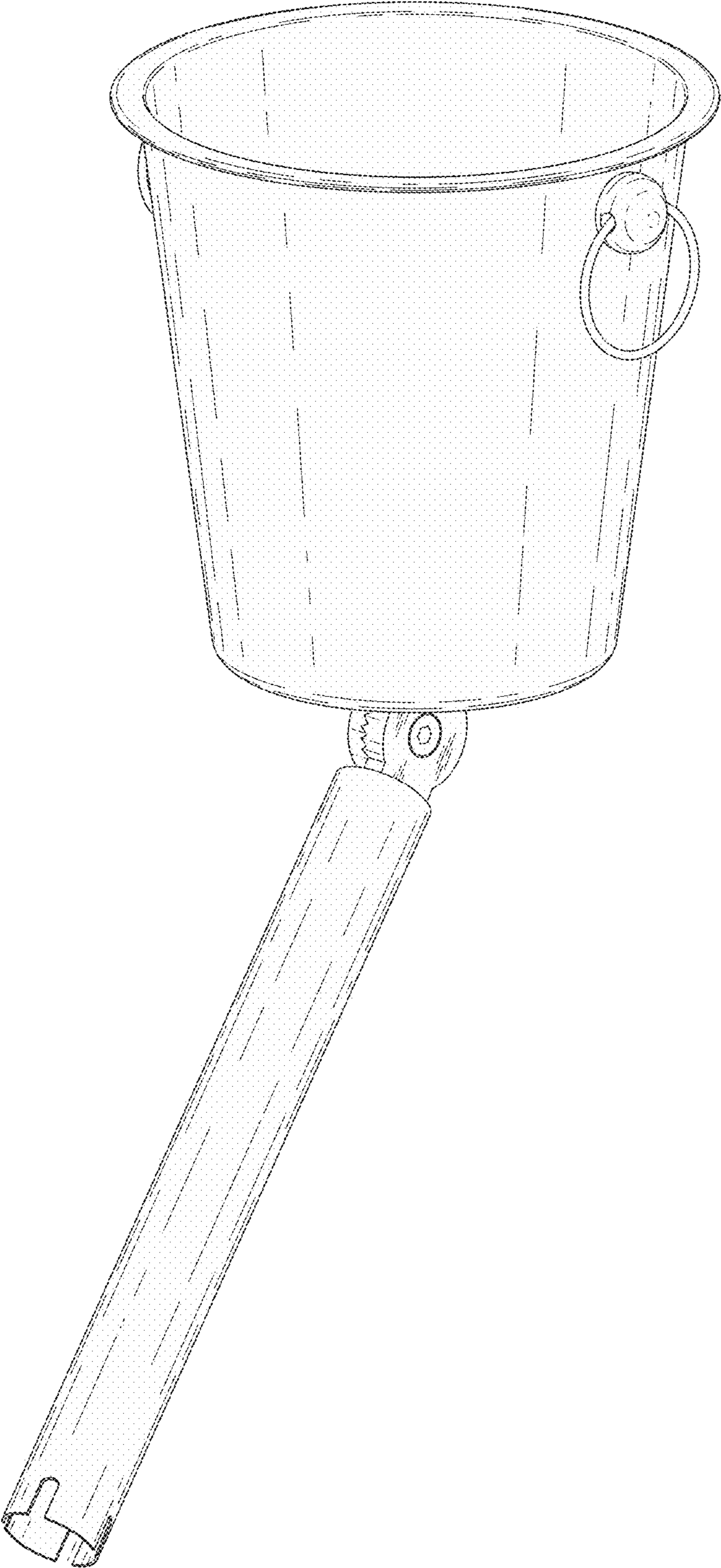


FIG. 1

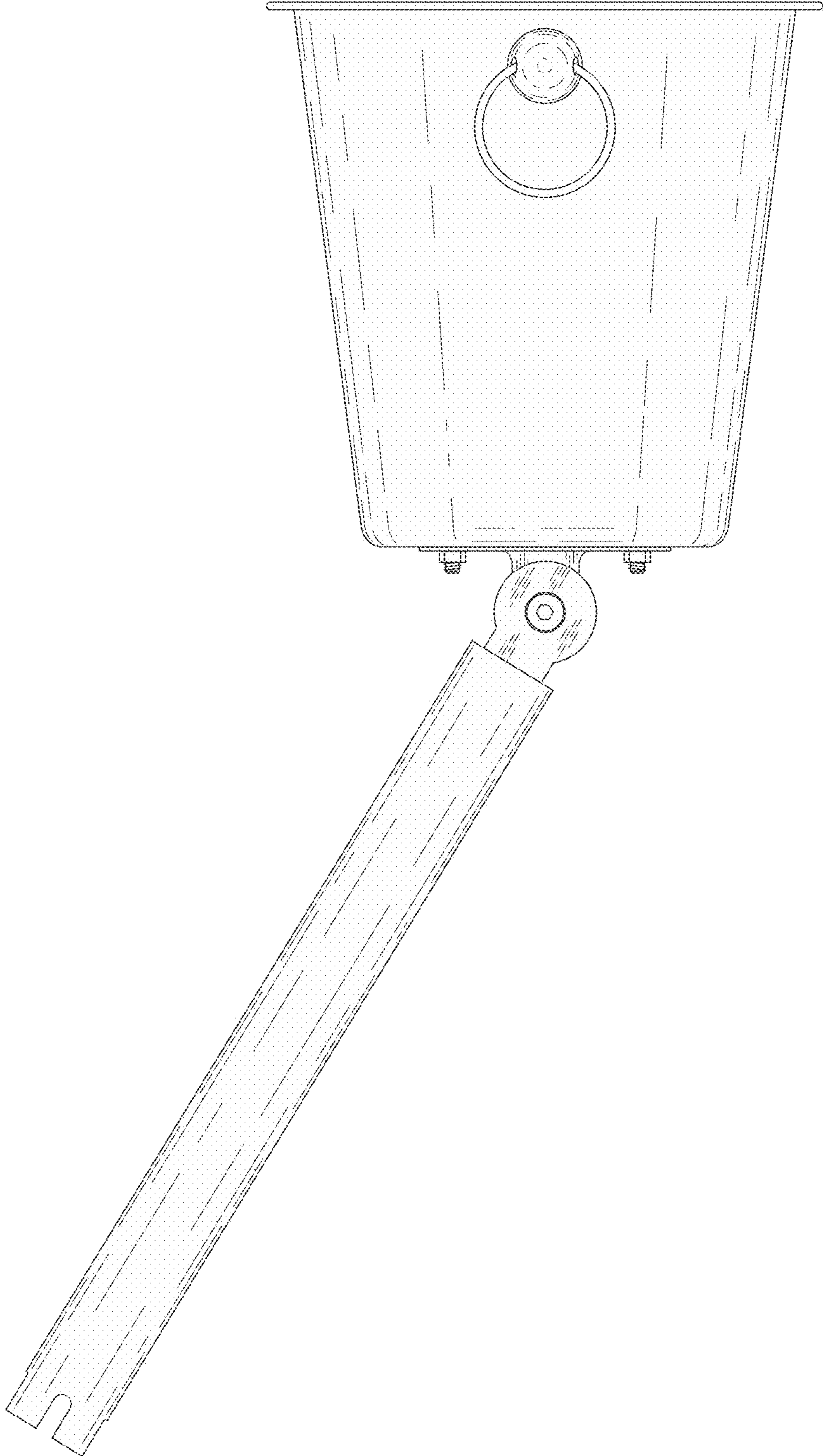


FIG. 2

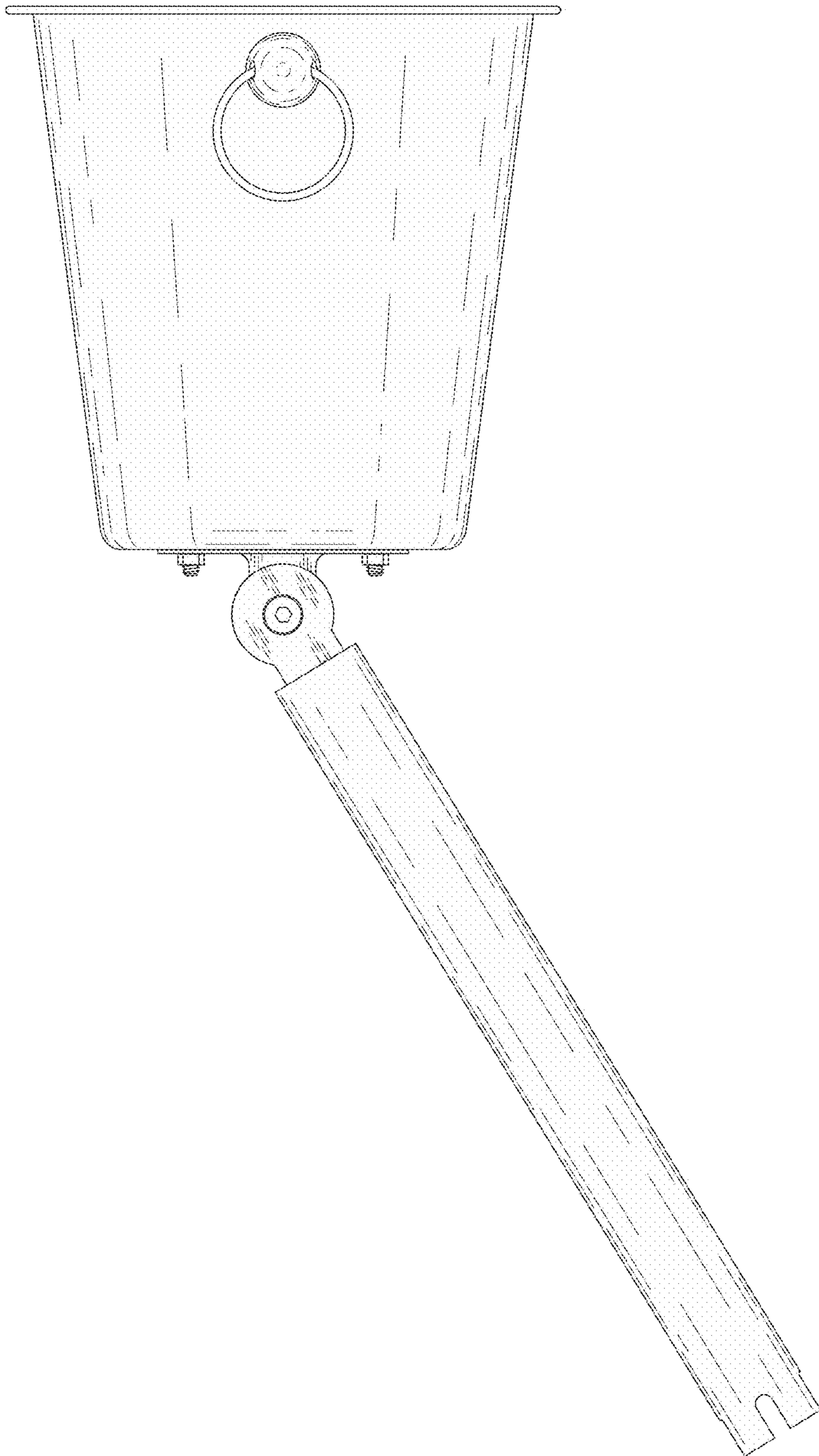


FIG. 3

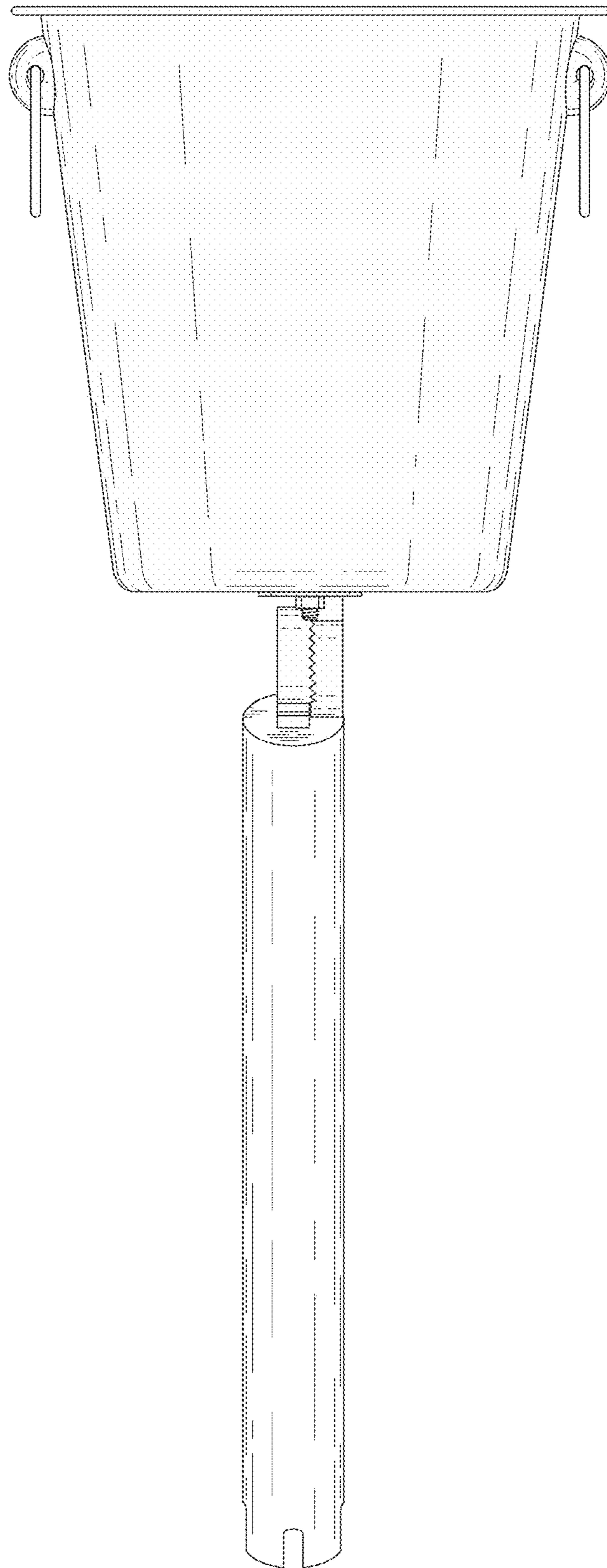


FIG. 4

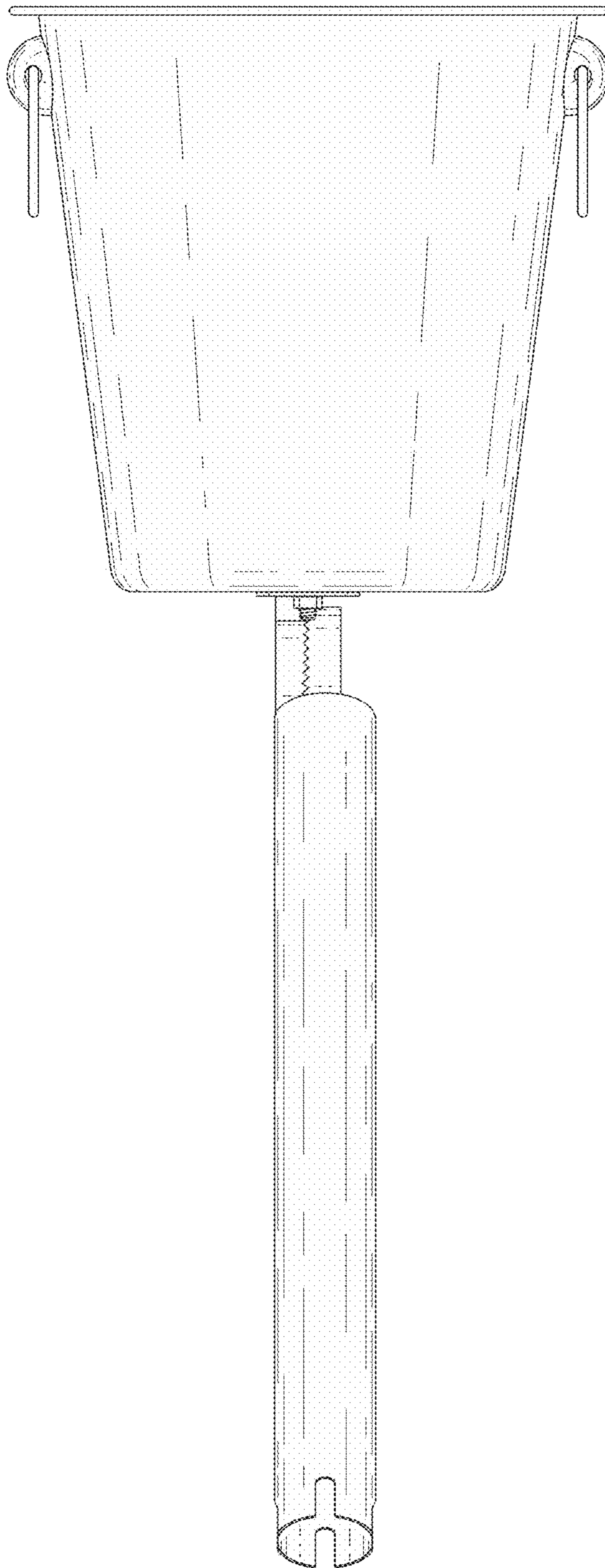


FIG. 5

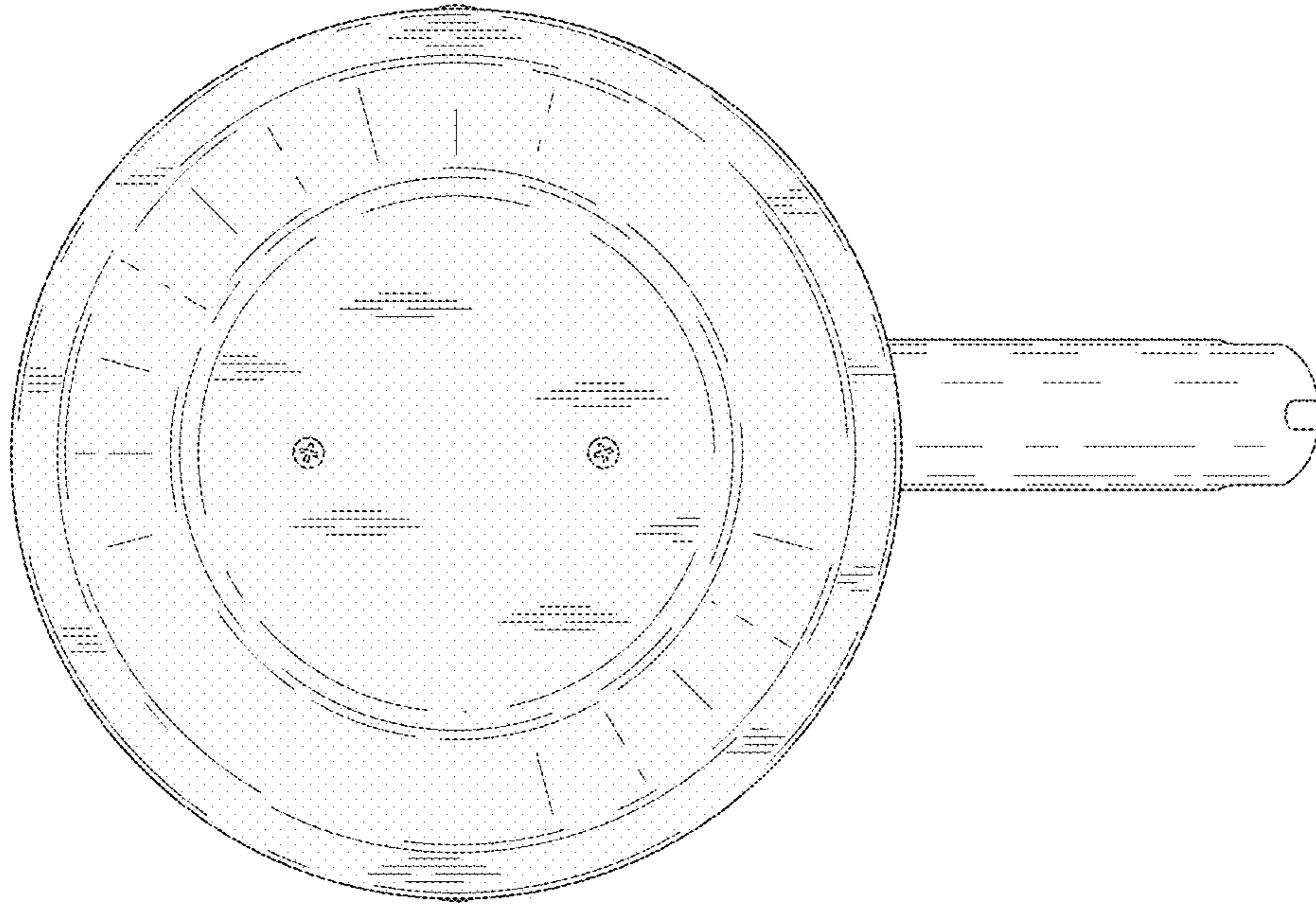


FIG. 6

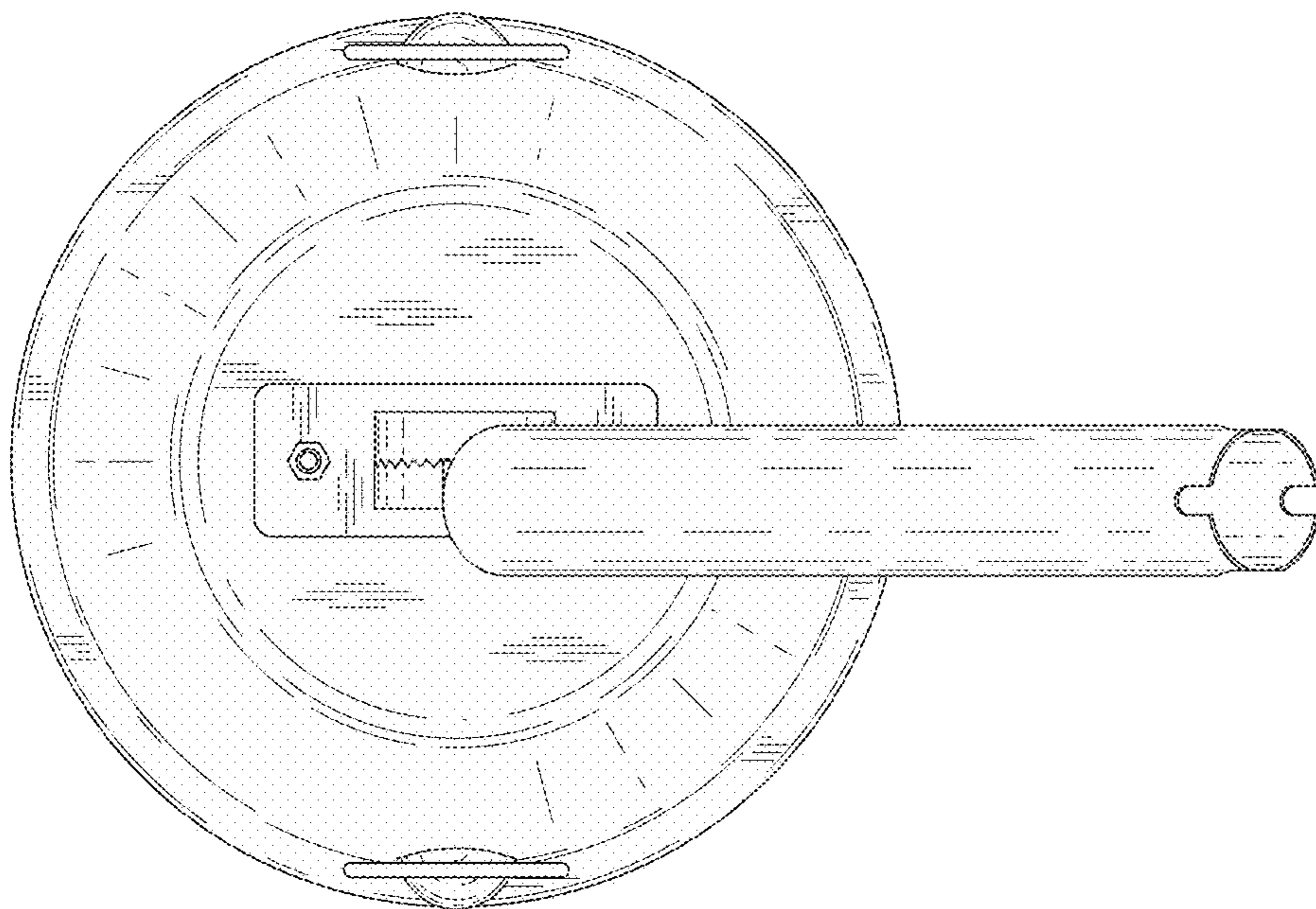


FIG. 7