



US00D968905S

(12) **United States Design Patent** (10) **Patent No.:** **US D968,905 S**
Cruver, IV et al. (45) **Date of Patent:** **** Nov. 8, 2022**

(54) **ICE BUCKET**

(74) *Attorney, Agent, or Firm* — Bell & Manning, LLC

(71) Applicant: **Sub-Zero Group, Inc.**, Madison, WI (US)

(57) **CLAIM**

We claim the ornamental design for an ice bucket, as shown and described.

(72) Inventors: **Curtis Leroy Cruver, IV**, Elmhurst, IL (US); **Stephen Andrew Derfiny**, Park Ridge, IL (US)

DESCRIPTION

(73) Assignee: **Sub-Zero Group, Inc.**, Madison, WI (US)

FIG. 1 is a top, front, right perspective view showing a first embodiment of an ice bucket showing our new design with a handle in a partially up position;

(**) Term: **15 Years**

FIG. 2 is a top, front, right perspective view of the ice bucket of FIG. 1 with the handle in a down position;

(21) Appl. No.: **29/763,986**

FIG. 3 is a top, front, right perspective view of the ice bucket of FIG. 1 with the handle in an up position;

(22) Filed: **Dec. 28, 2020**

FIG. 4 is a bottom, back, left perspective view of the ice bucket of FIG. 3 with the handle in the up position;

(51) **LOC (13) Cl.** **07-01**

FIG. 5 is a top plan view of the ice bucket of FIG. 3;

(52) **U.S. Cl.**

USPC **D7/603**; D15/89

FIG. 6 is a bottom plan view of the ice bucket of FIG. 3;

(58) **Field of Classification Search**

USPC D7/387, 504, 538, 540–543, 545–549, D7/553.1–553.3, 554.3–555, 601–604,

FIG. 7 is a right elevation view of the ice bucket of FIG. 3;

(Continued)

FIG. 8 is a left elevation view of the ice bucket of FIG. 3;

(56) **References Cited**

U.S. PATENT DOCUMENTS

825,177 A * 7/1906 Bales A45C 11/20
206/541

D294,444 S * 3/1988 Tardif D7/603
(Continued)

FIG. 9 is a front elevation view of the ice bucket of FIG. 3;

FIG. 10 is a back elevation view of the ice bucket of FIG. 3;

FIG. 11 is a top, front, right perspective view showing a second embodiment of an ice bucket showing our new design with a handle in a partially up position;

OTHER PUBLICATIONS

Plastic Storage Bins, first available Jun. 5, 2019, Amazon, [online], [site visited Jun. 25, 2022], Available from internet URL: <https://www.amazon.com/BINO-COLLECTION-Multi-Use-Organizer-Organization/dp/B07ST2Y8S2> (Year: 2019).*

FIG. 12 is a top, front, right perspective view of the ice bucket of FIG. 11 with the handle in a down position;

FIG. 13 is a top, front, right perspective view of the ice bucket of FIG. 11 with the handle in an up position;

(Continued)

FIG. 14 is a bottom, back, left perspective view of the ice bucket of FIG. 13;

FIG. 15 is a top plan view of the ice bucket of FIG. 13;

FIG. 16 is a bottom plan view of the ice bucket of FIG. 13;

FIG. 17 is a right elevation view of the ice bucket of FIG. 13;

FIG. 18 is a left elevation view of the ice bucket of FIG. 13;

FIG. 19 is a front elevation view of the ice bucket of FIG. 13;

FIG. 20 is a back elevation view of the ice bucket of FIG. 13;

Primary Examiner — Mary Ann Calabrese

Assistant Examiner — Natalya M Rapundalo

(Continued)

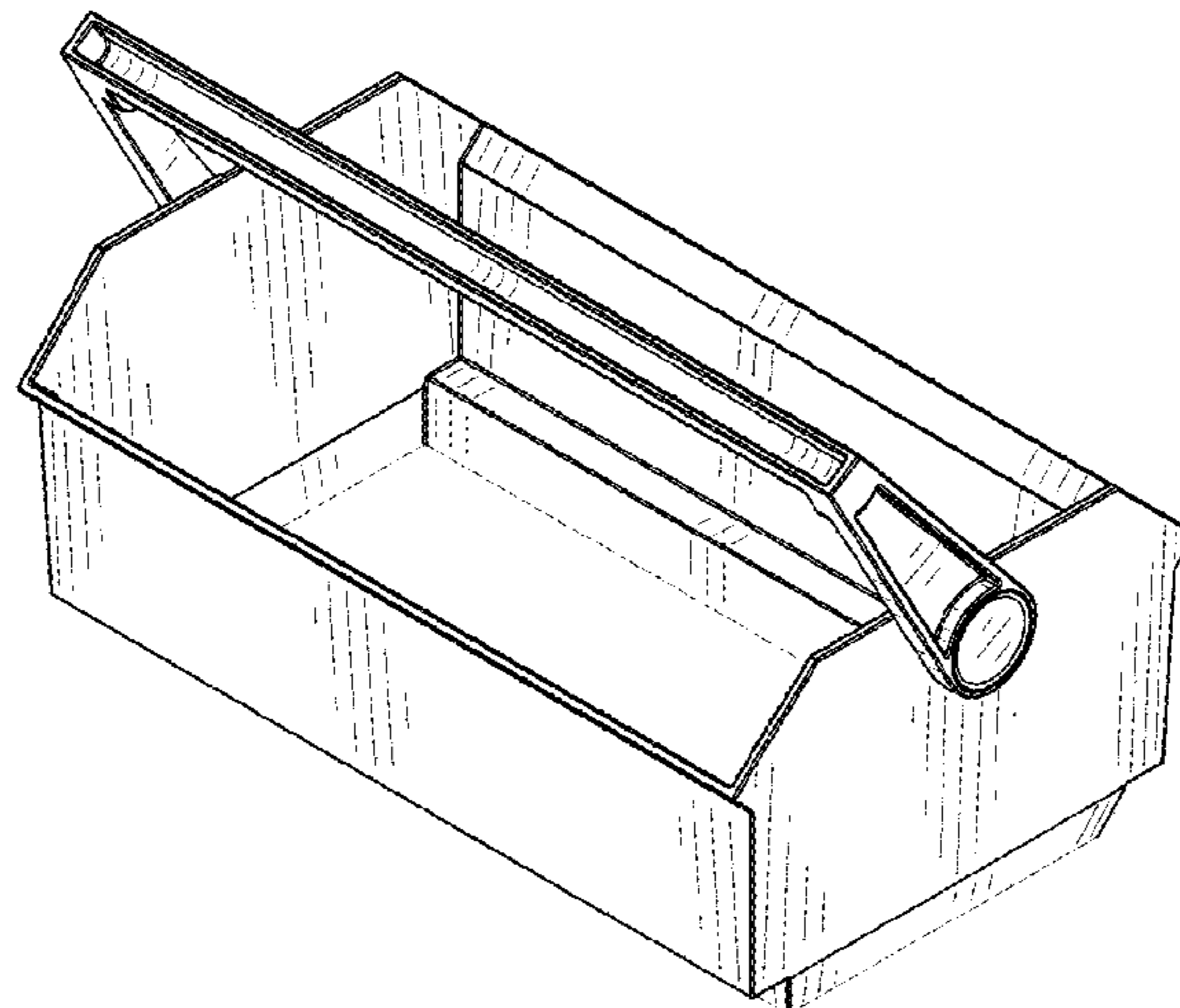


FIG. 21 is a top, front, right perspective view showing a third embodiment of an ice bucket showing our new design with a handle in a partially up position;
 FIG. 22 is a top, front, right perspective view of the ice bucket of FIG. 21 with the handle in a down position;
 FIG. 23 is a top, front, right perspective view of the ice bucket of FIG. 21 with the handle in an up position;
 FIG. 24 is a bottom, back, left perspective view of the ice bucket of FIG. 23;
 FIG. 25 is a top plan view of the ice bucket of FIG. 23;
 FIG. 26 is a bottom plan view of the ice bucket of FIG. 23;
 FIG. 27 is a right elevation view of the ice bucket of FIG. 23;
 FIG. 28 is a left elevation view of the ice bucket of FIG. 23;
 FIG. 29 is a front elevation view of the ice bucket of FIG. 23; and,
 FIG. 30 is a back elevation view of the ice bucket of FIG. 23.
 The broken lines in FIGS. 1-30 are included for the purpose of illustrating portions of the ice bucket that form no part of the claimed design.

1 Claim, 30 Drawing Sheets

(58) **Field of Classification Search**

USPC ... D7/619.1-623, 628-631, 701-708.1, 709;
 D3/202, 304, 306, 315, 316; D9/414,
 D9/432, 455, 624, 643, 702, 703, 707,
 D9/709, 738, 739, 742, 743, 745, 747,
 D9/761; D15/80, 89, 90

CPC A45C 11/20; A47G 21/16; A47J 47/14;
 A47J 47/16; B65D 1/36; B65D 25/06;
 B65D 43/02; B65D 43/0208; B65D
 81/3453; B65D 2543/00194; B65D
 2543/00296; B65D 2543/00685; B65D
 2543/00796; B65D 2585/366; B65D
 55/14; F25C 5/18; F25C 5/182; F25C
 5/22; F25D 3/08

See application file for complete search history.

(56)

References Cited

U.S. PATENT DOCUMENTS

D300,294	S	*	3/1989	Pozzi	D7/603
D359,658	S	*	6/1995	Cook	A45C 11/20 D7/629
D403,160	S	*	12/1998	Hill	D3/315
D451,281	S	*	12/2001	Wodkowski	D3/315
D460,898	S	*	7/2002	Wang	D7/603
D483,620	S	*	12/2003	Basara	D7/603
D651,801	S	*	1/2012	Brown	D3/304
D847,879	S	*	5/2019	Lee	D15/89
D891,873	S	*	8/2020	Burns	D7/603
D930,717	S	*	9/2021	Dai	D15/89

OTHER PUBLICATIONS

Houseworks 8.25 In. Unfinished Wood Large Tool Box or Garden Tote Kit 94603, Home Depot, [online], [site visited Jun. 25, 2022], Available from internet URL: <https://www.homedepot.com/p/Houseworks-8-25-In-Unfinished-Wood-Large-Tool-Box-or-Garden-Tote-Kit-94603/203651376> (Year: 2022).*

* cited by examiner

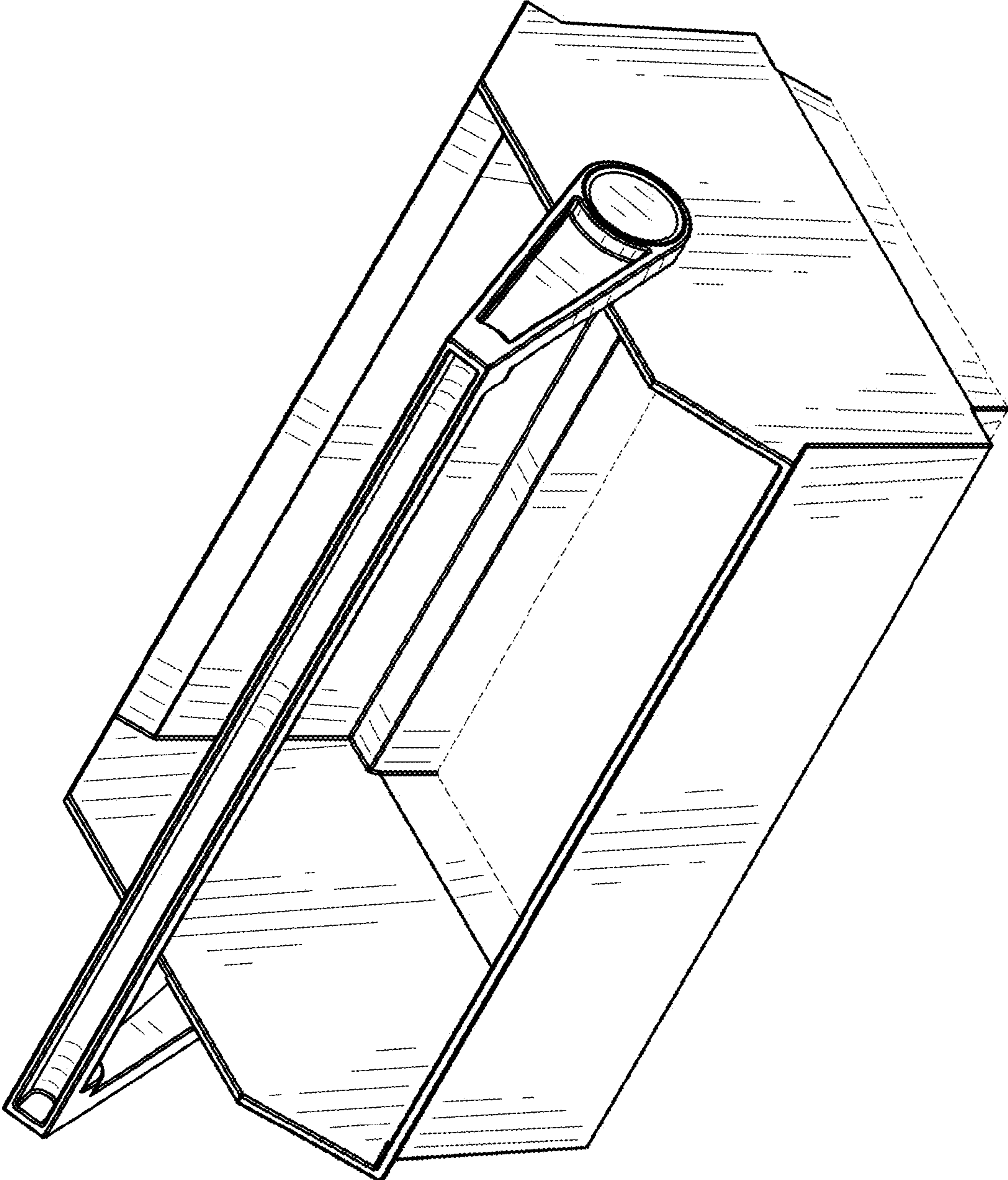


FIG. 1

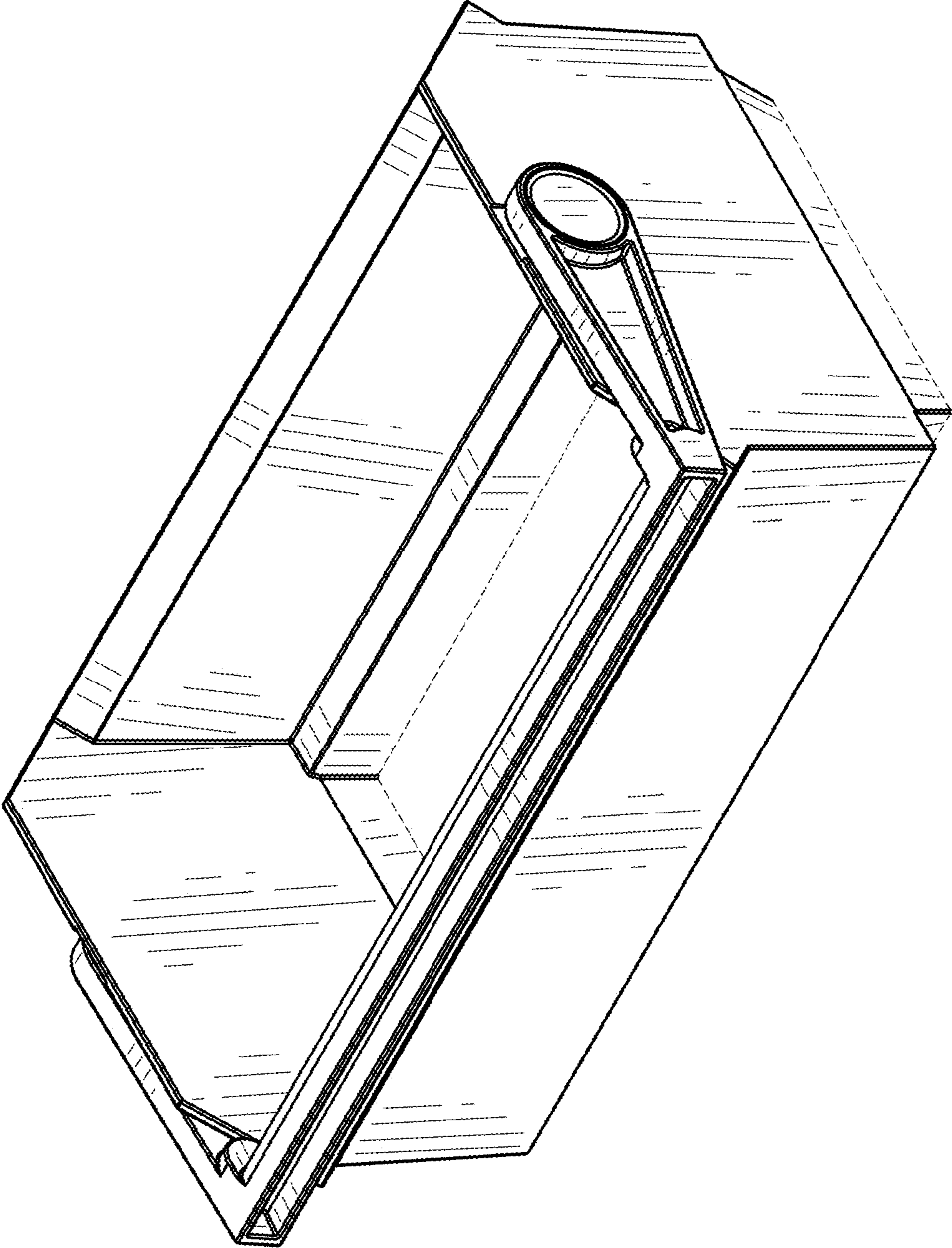


FIG. 2

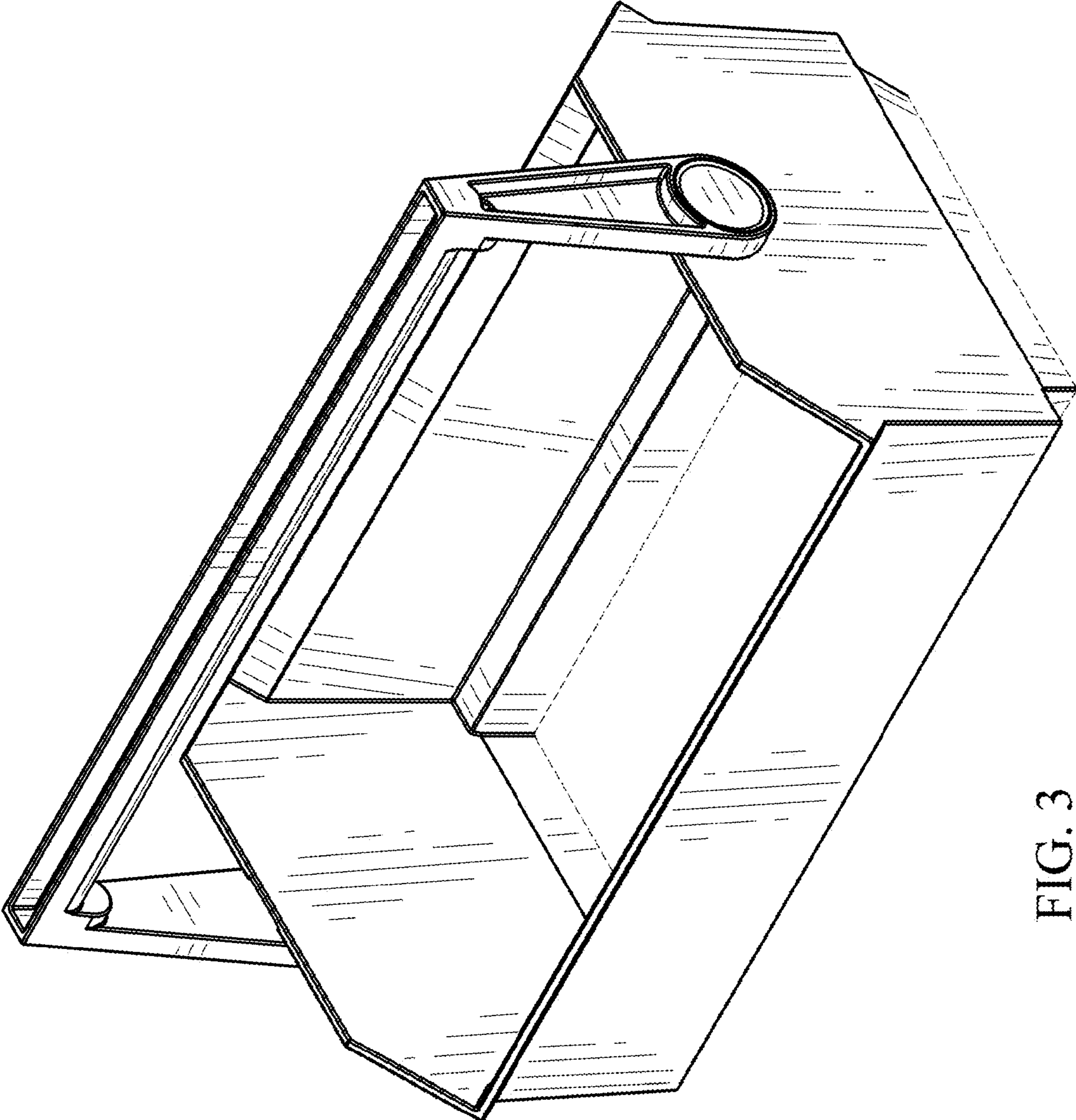


FIG. 3

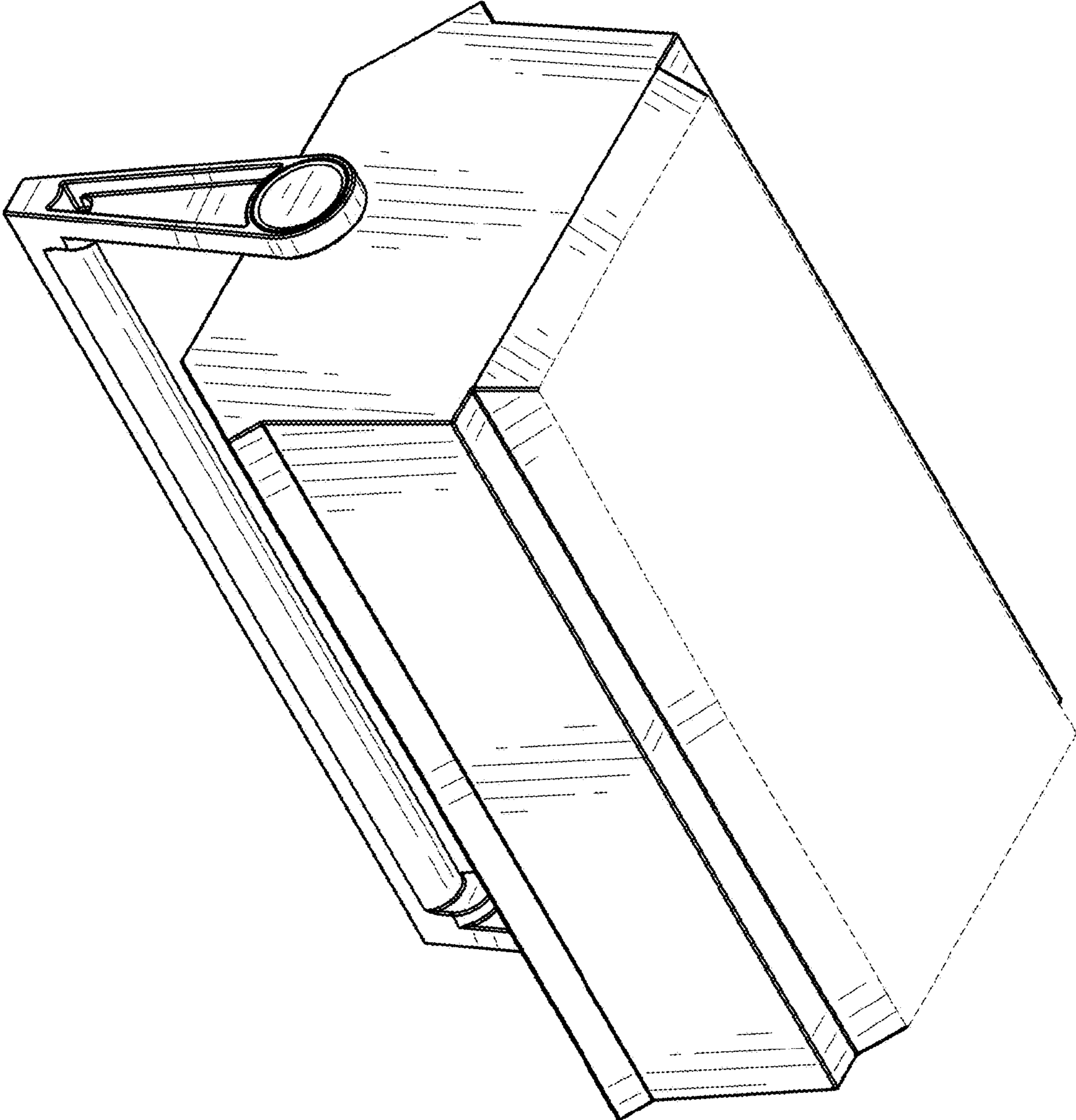


FIG. 4

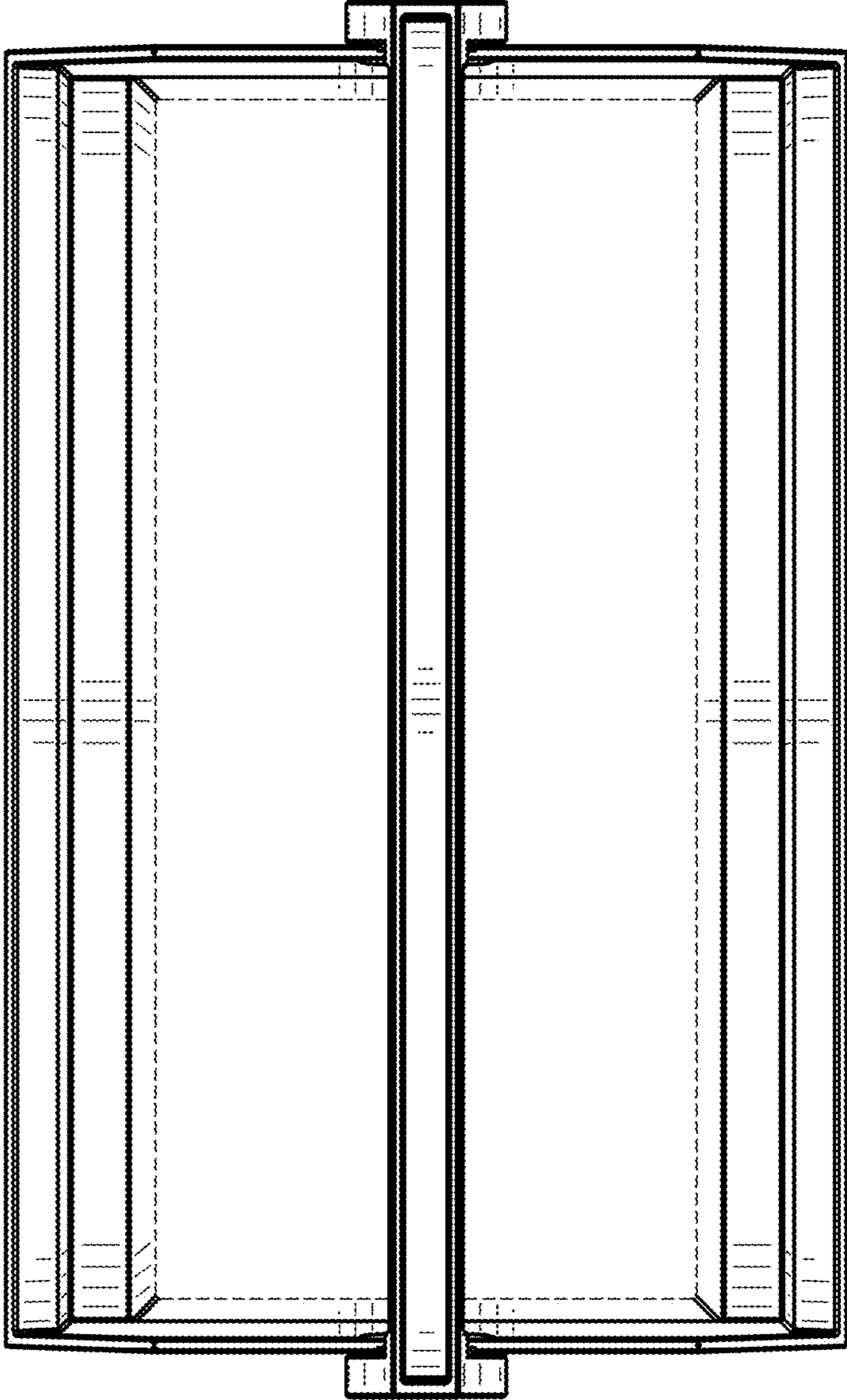


FIG. 5

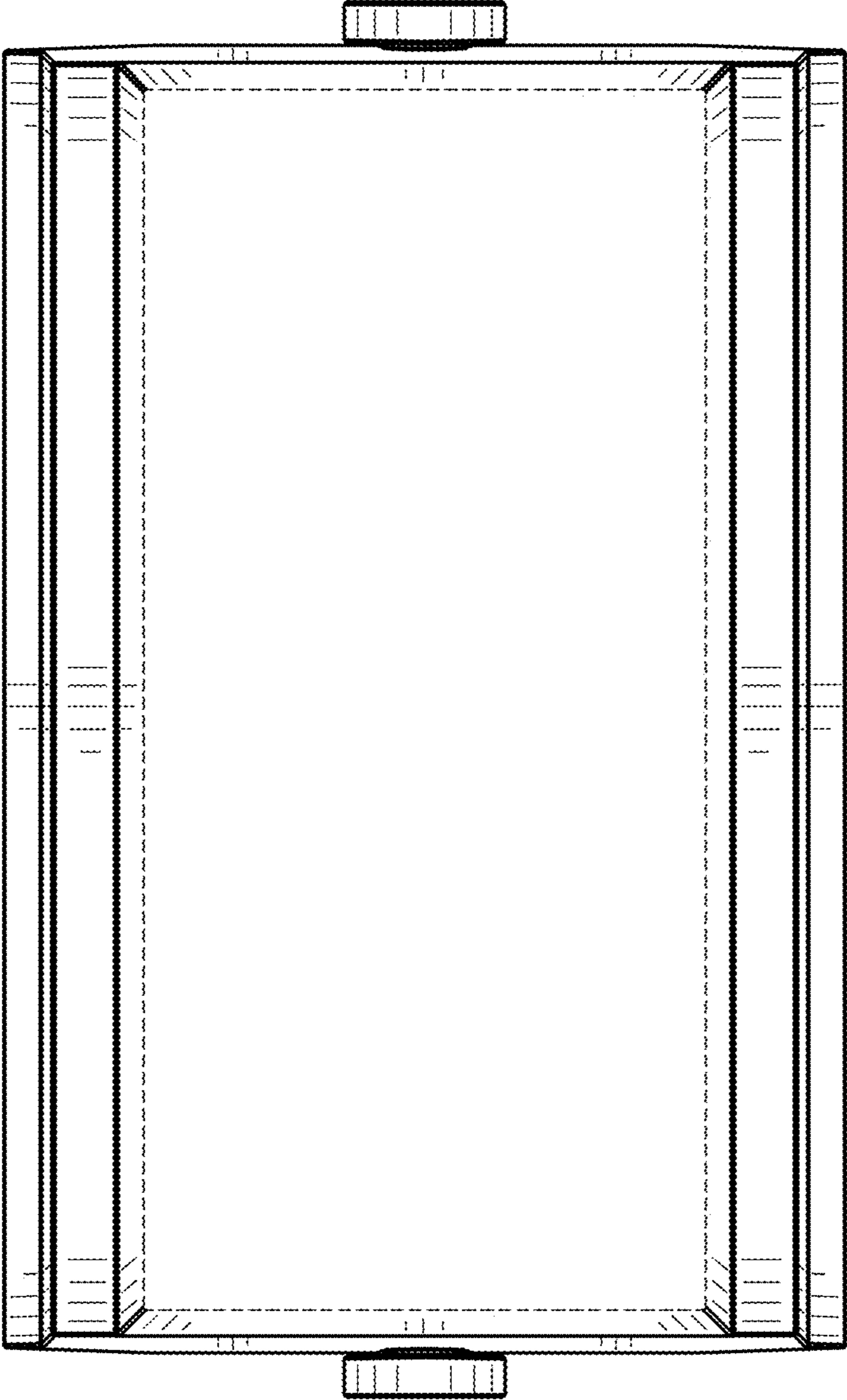


FIG. 6

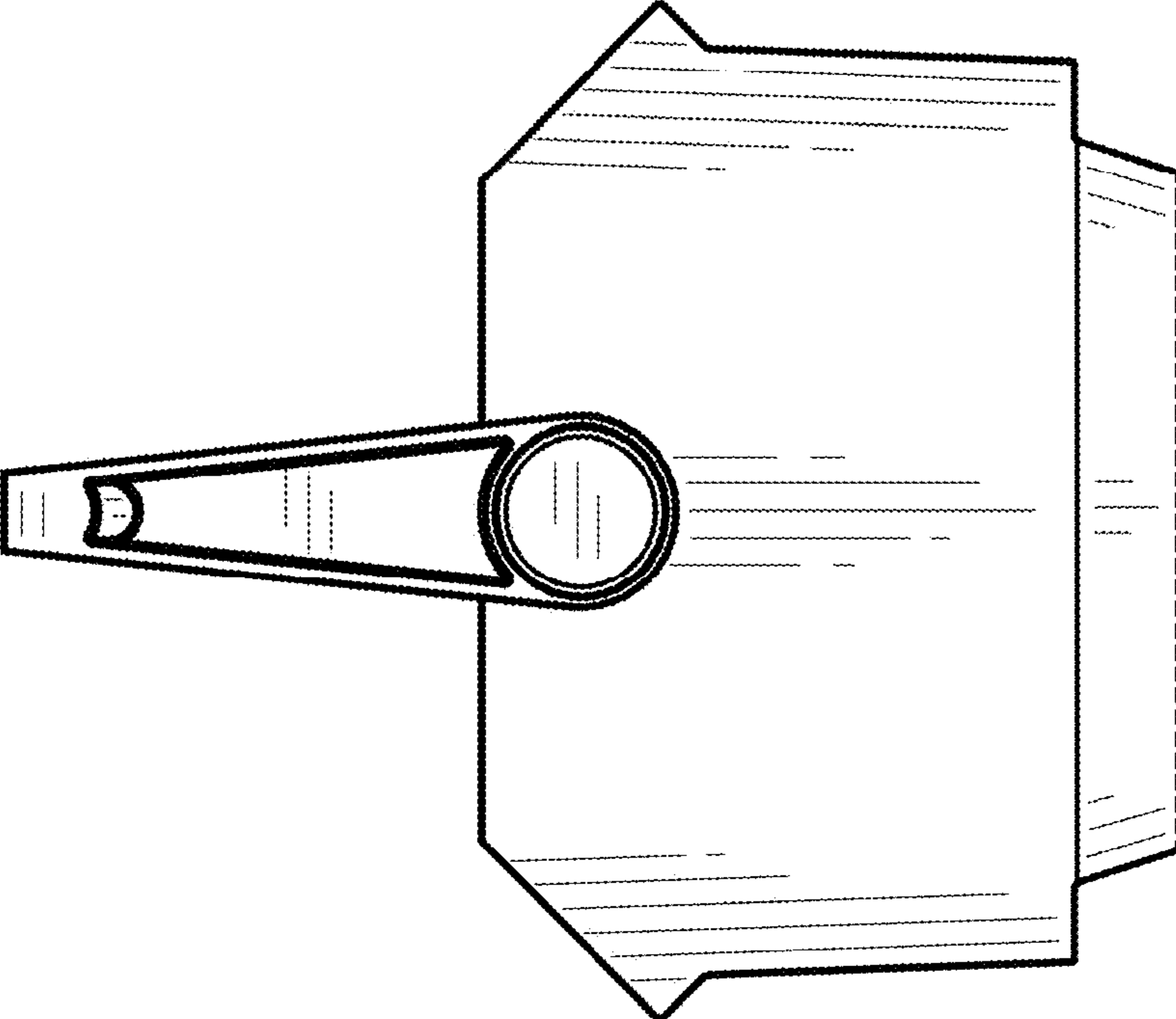


FIG. 7

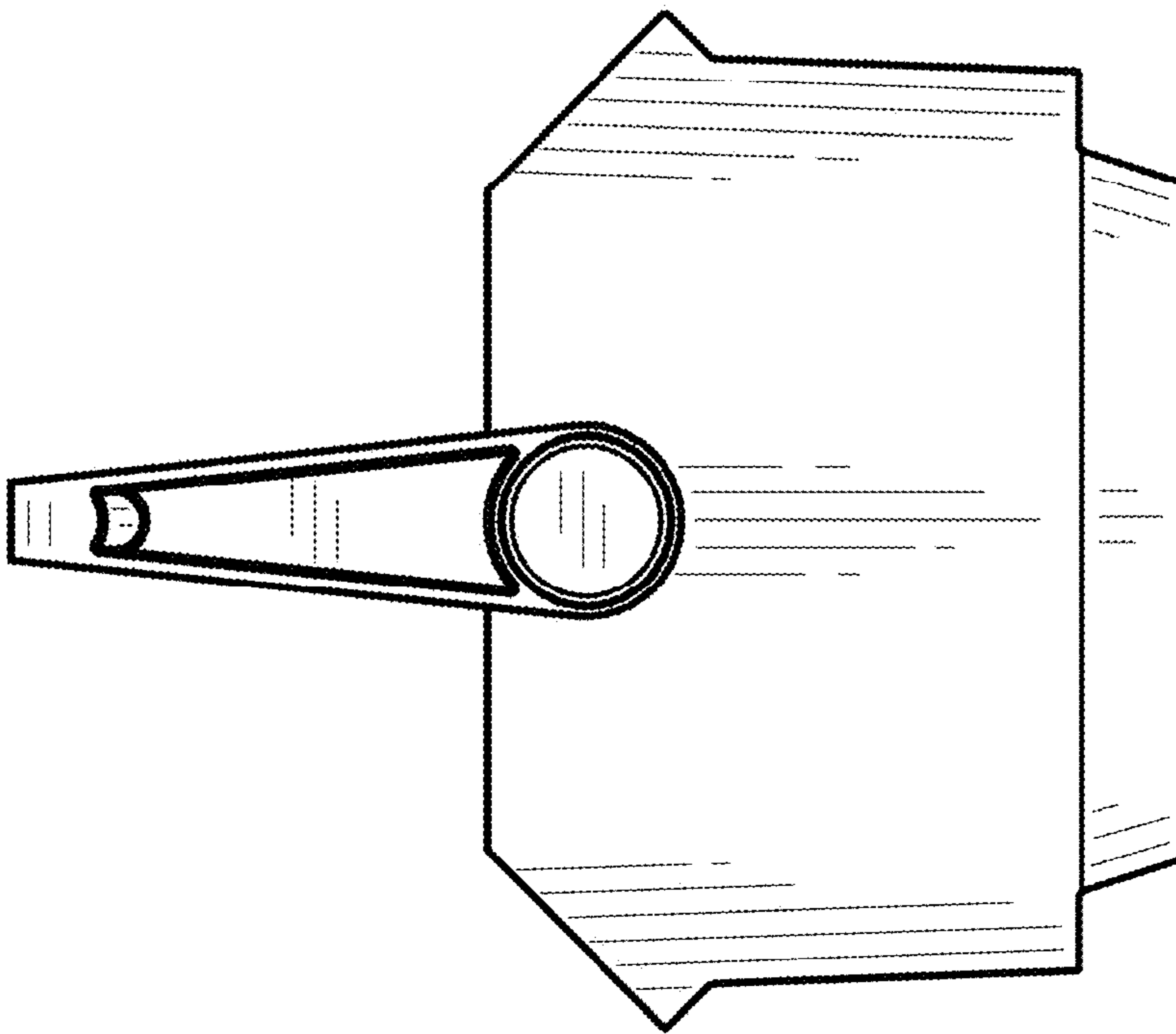


FIG. 8

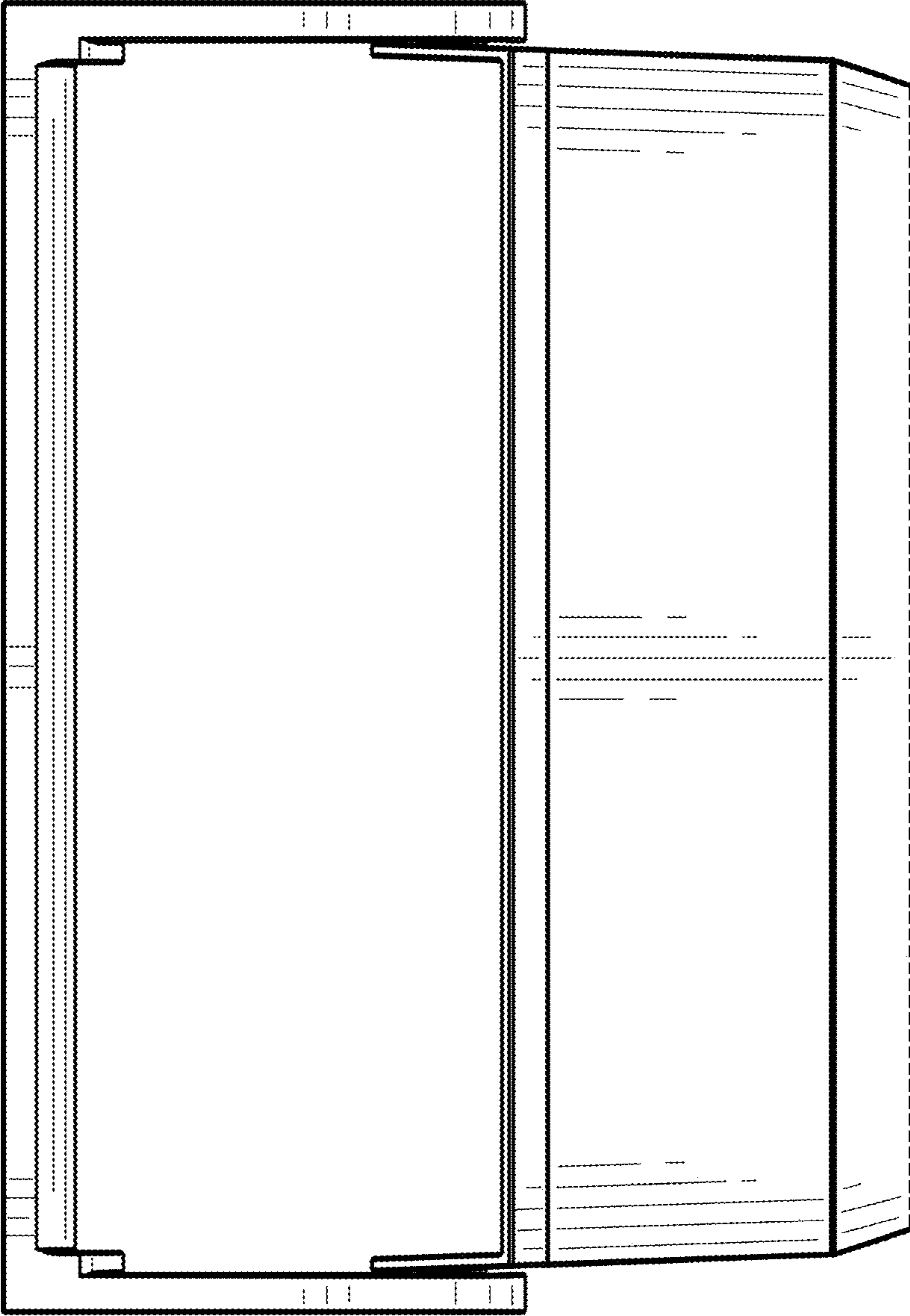


FIG. 9

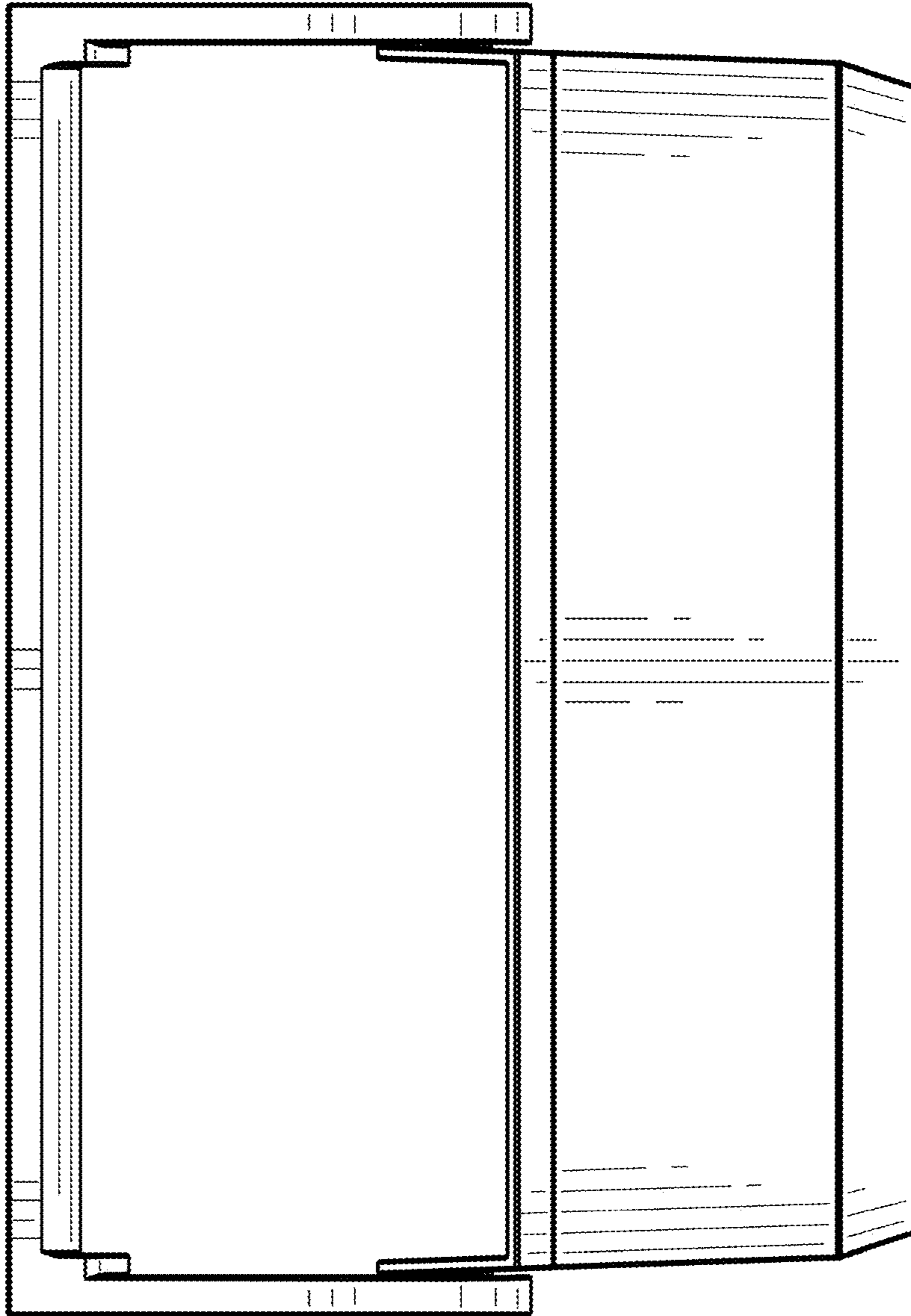


FIG. 10

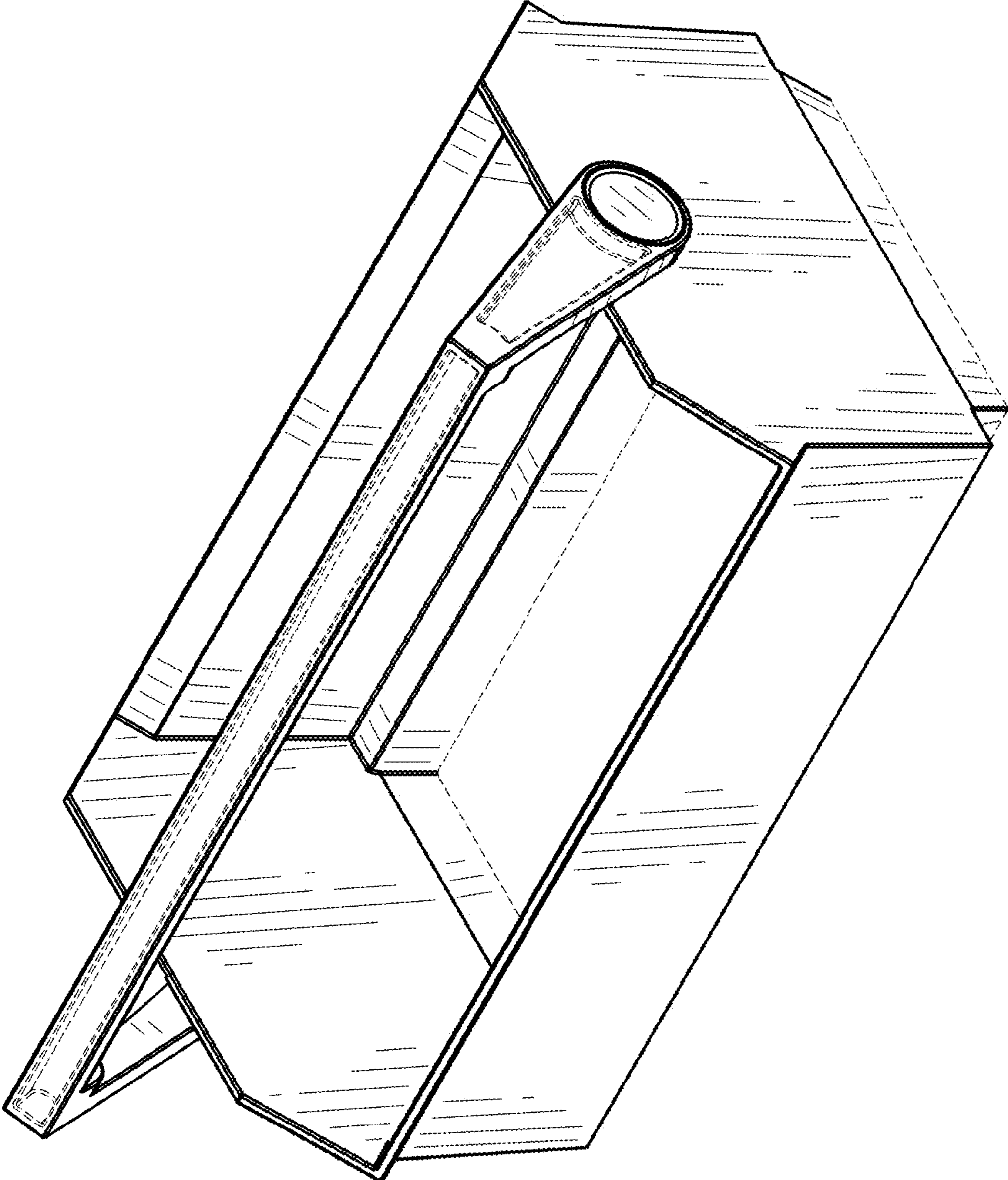


FIG. 11

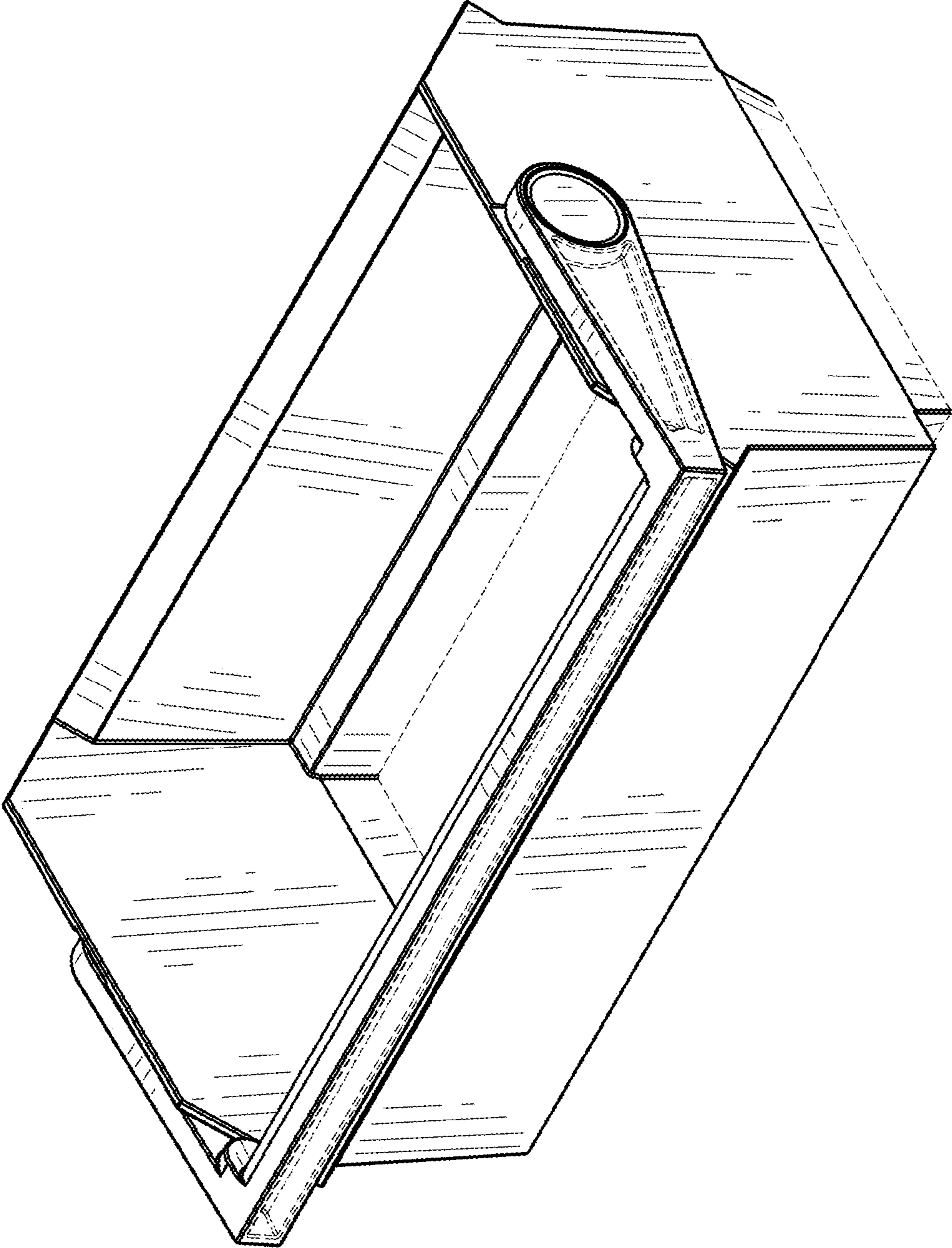


FIG. 12

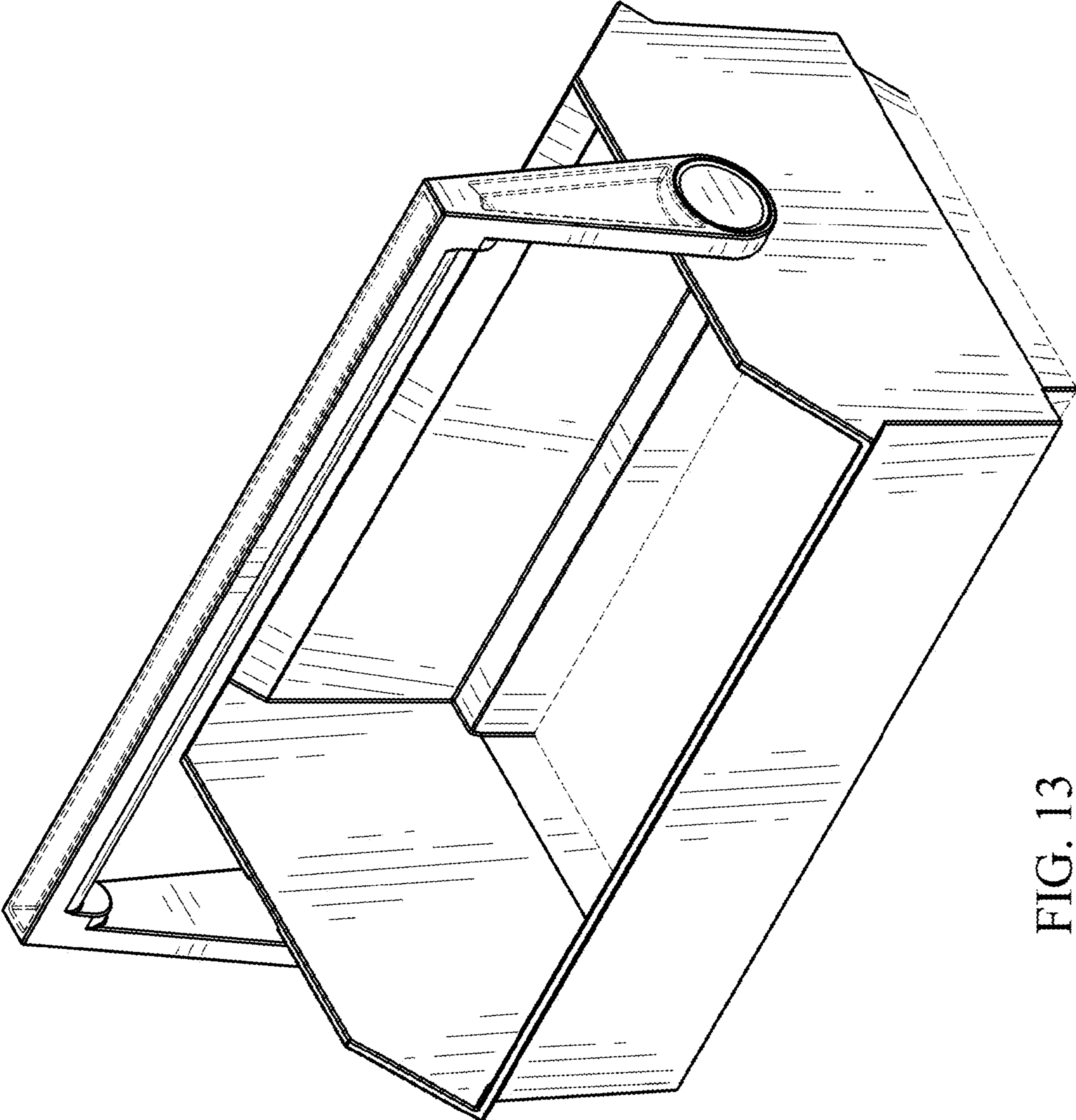


FIG. 13

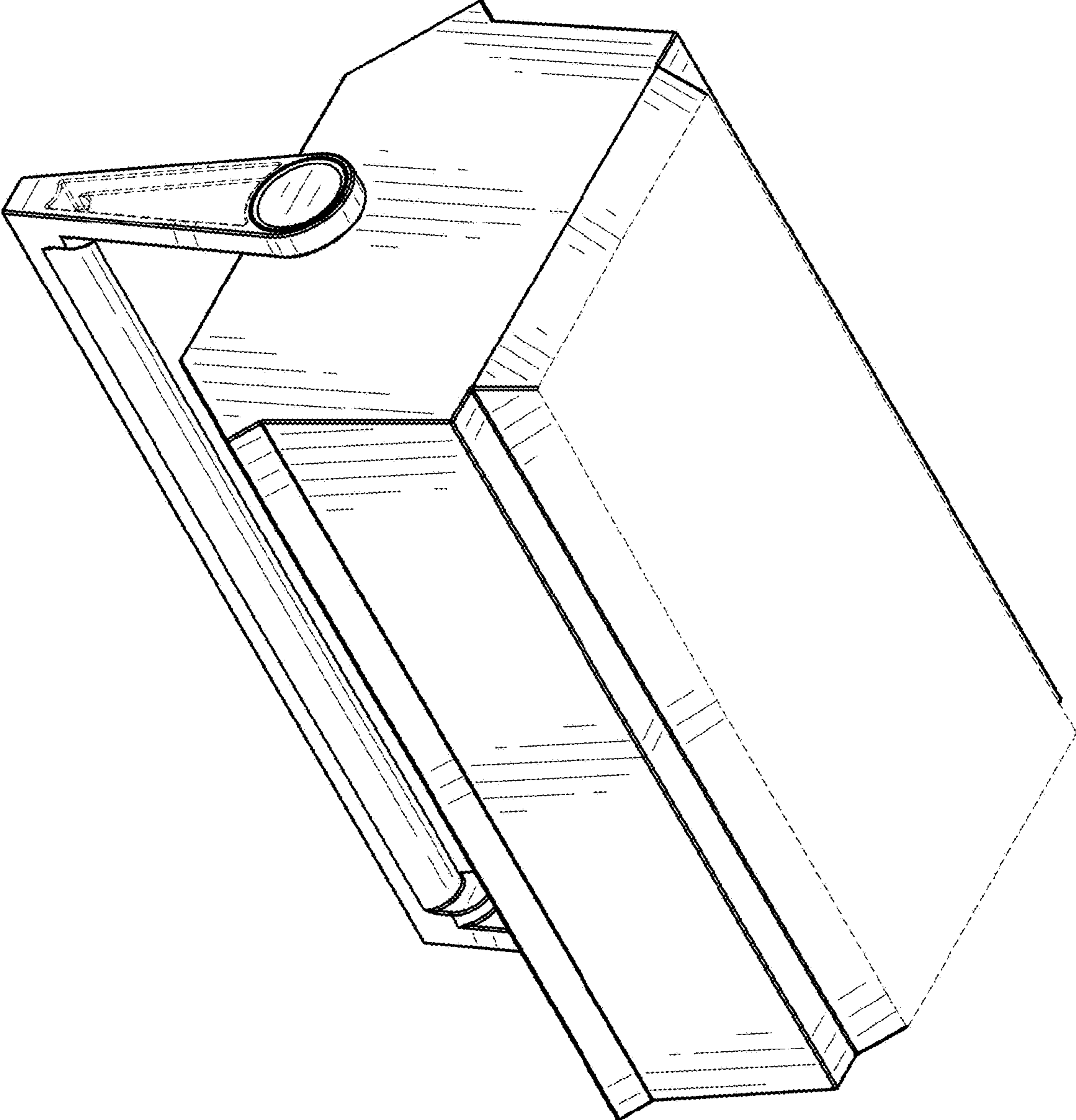


FIG. 14

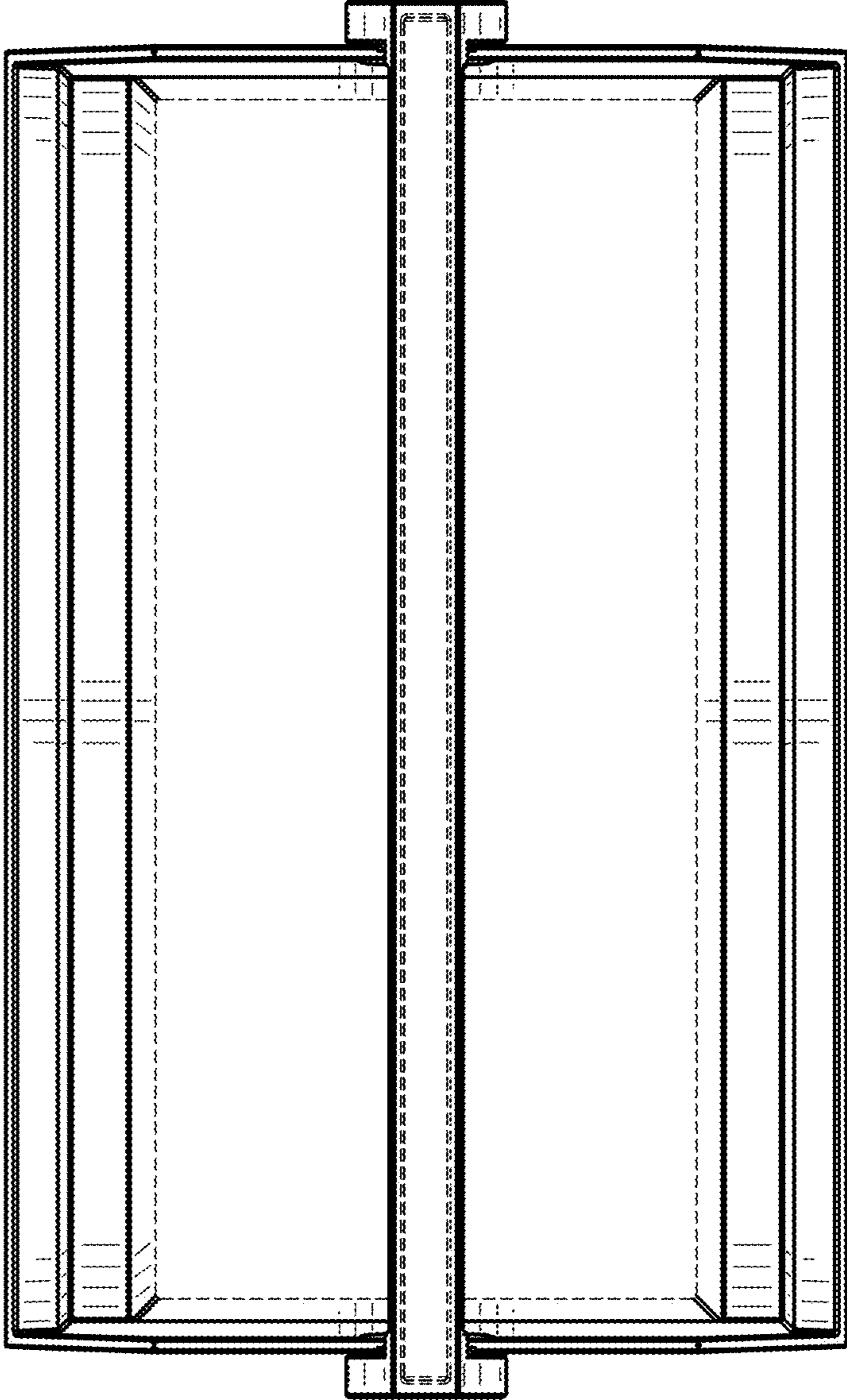


FIG. 15

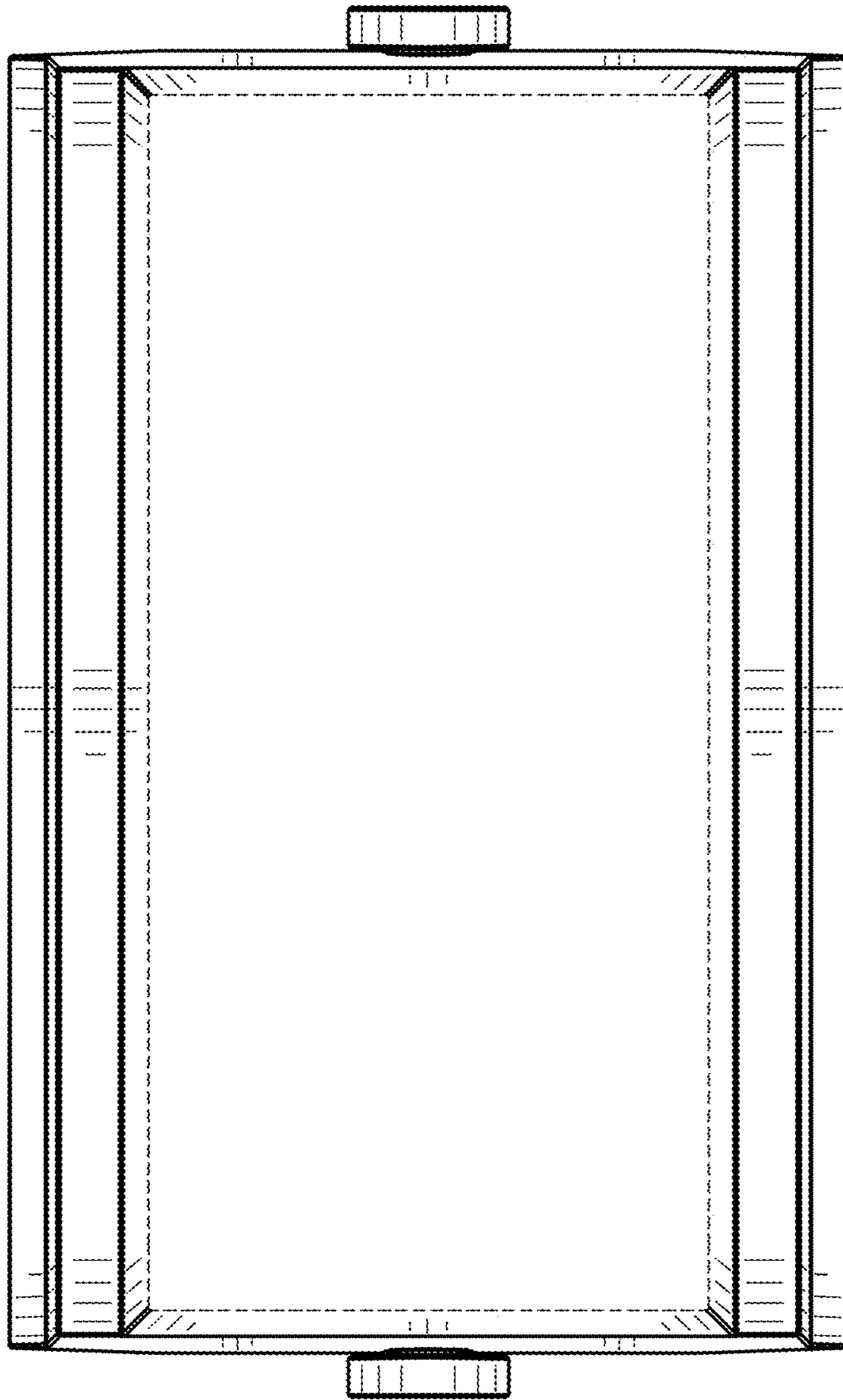


FIG. 16

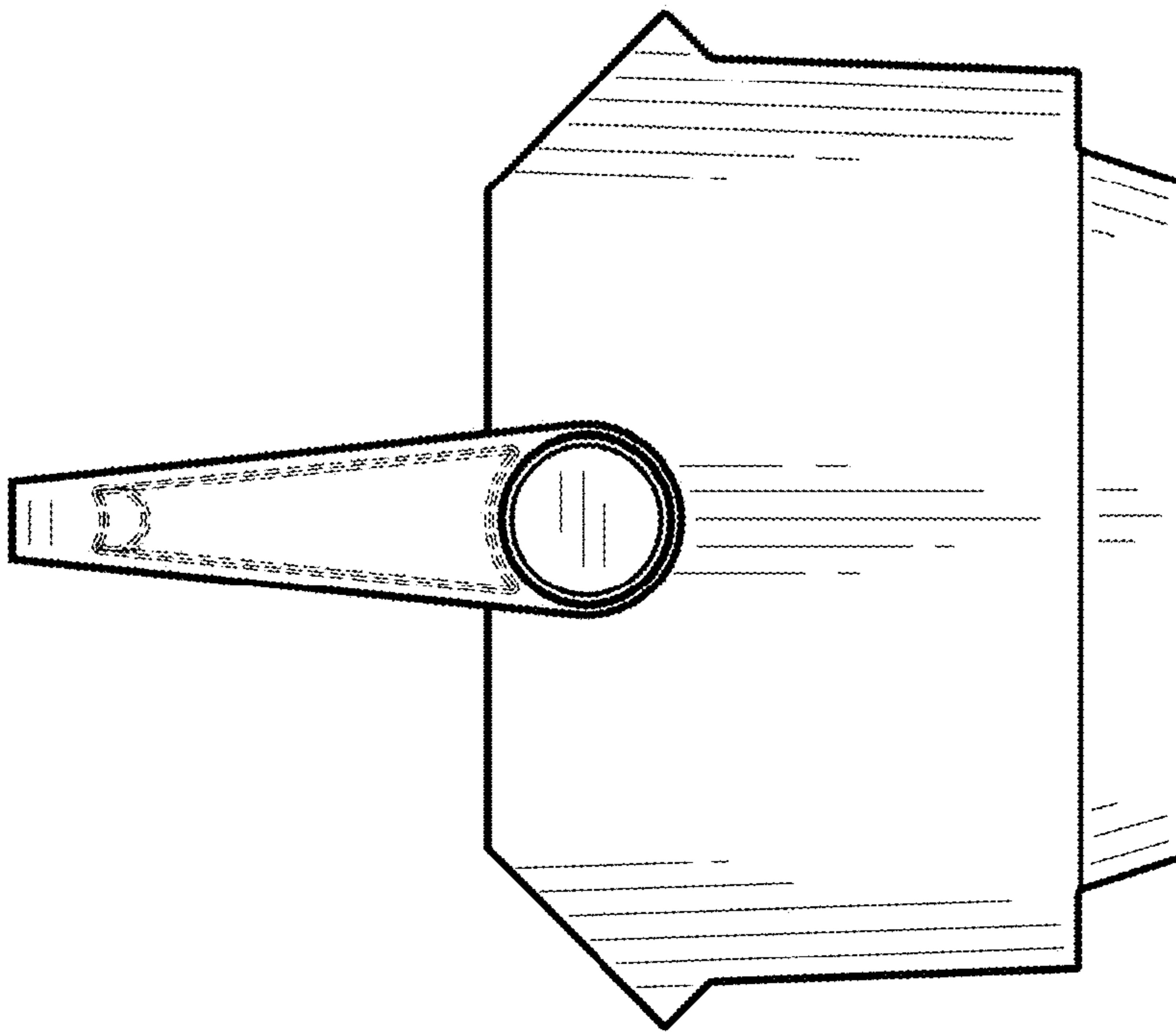


FIG. 17

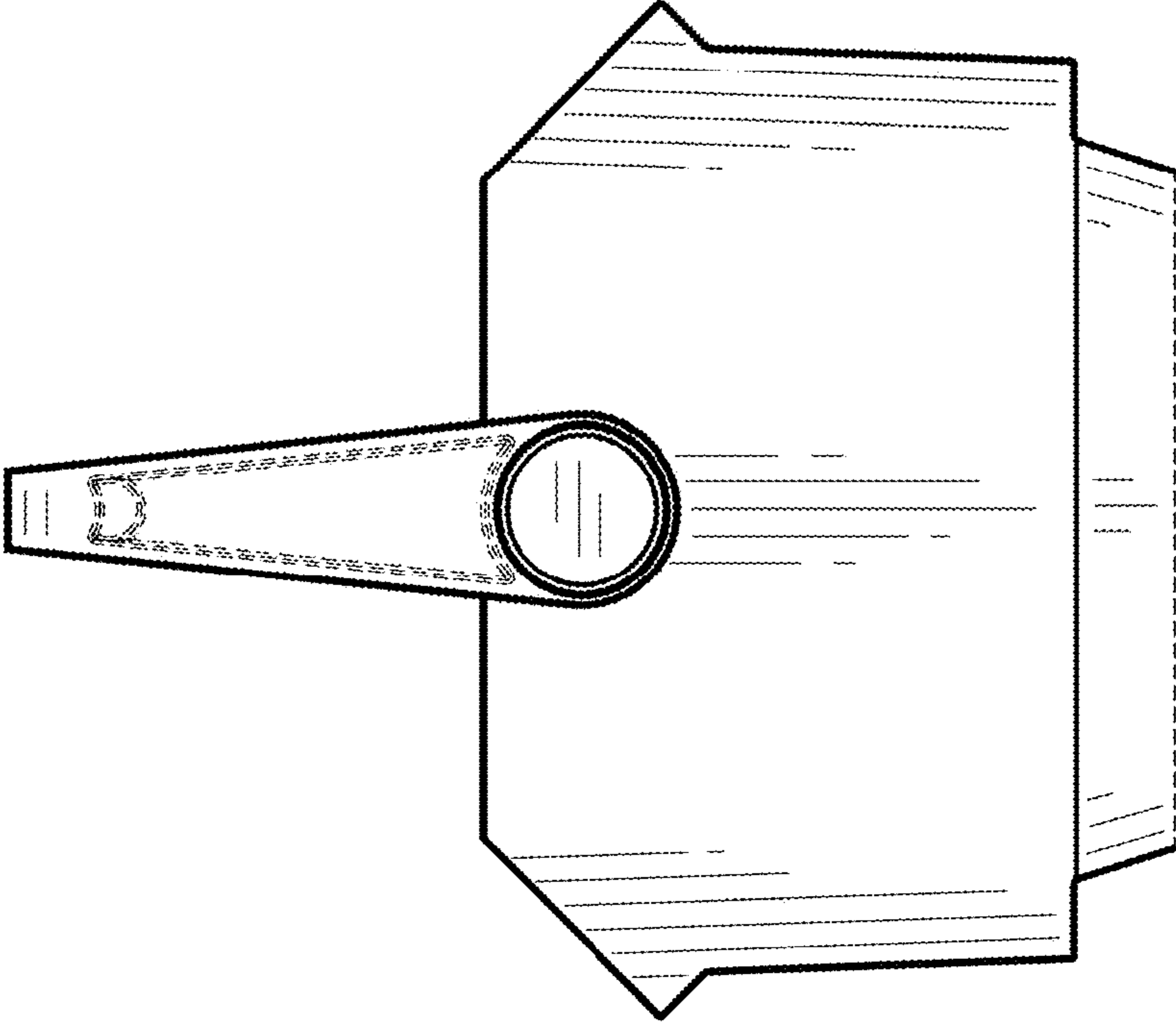


FIG. 18

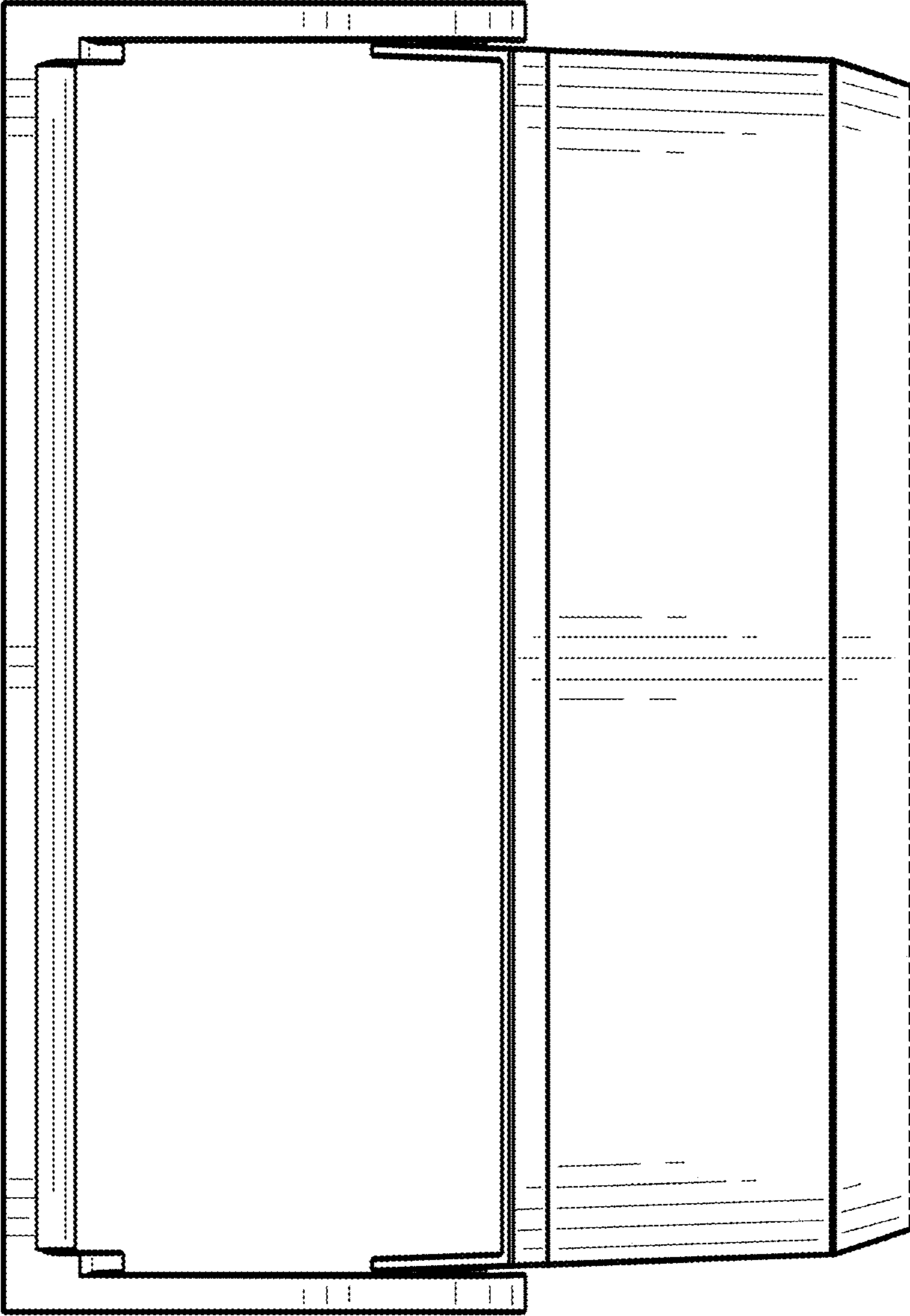


FIG. 19

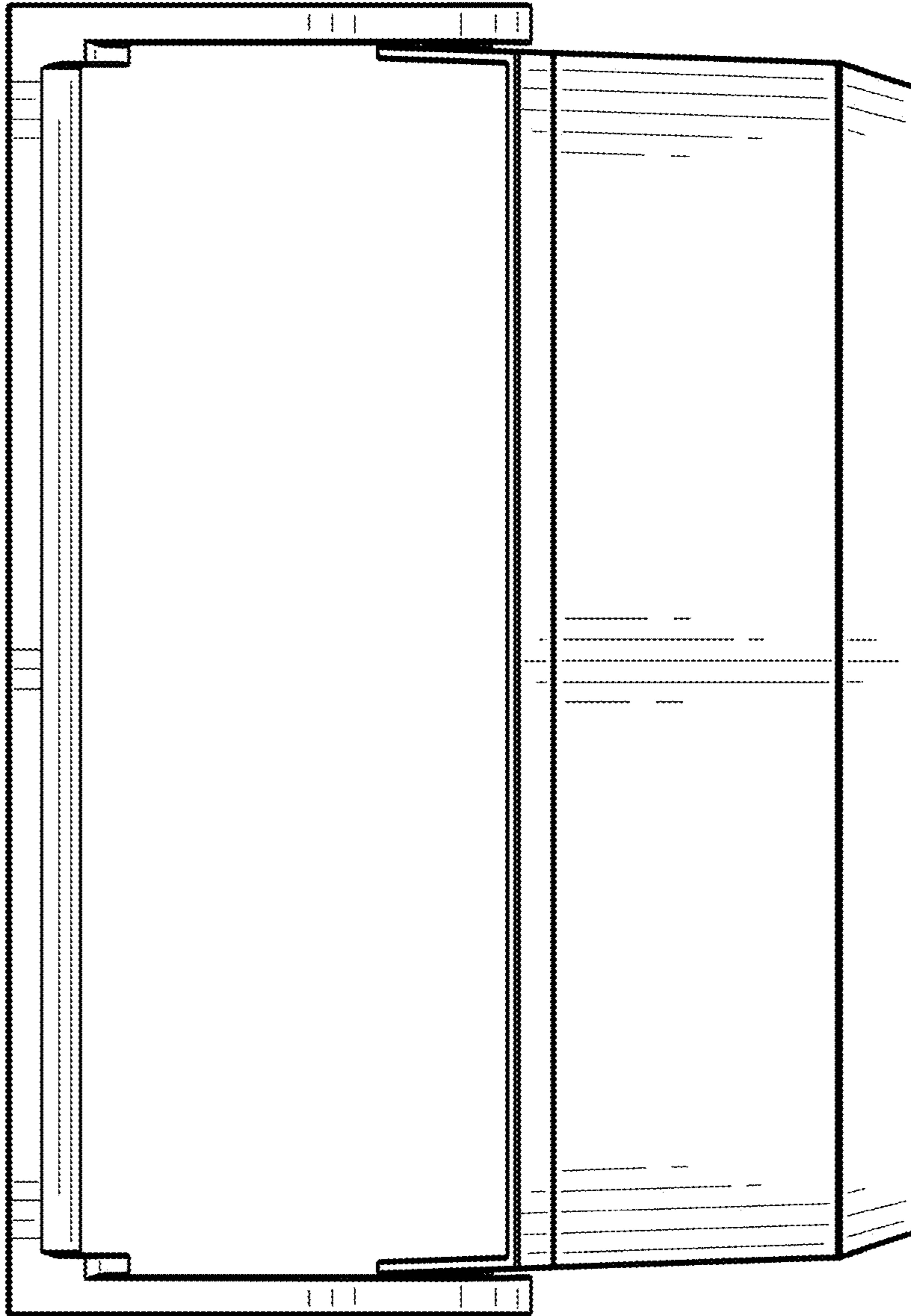


FIG. 20

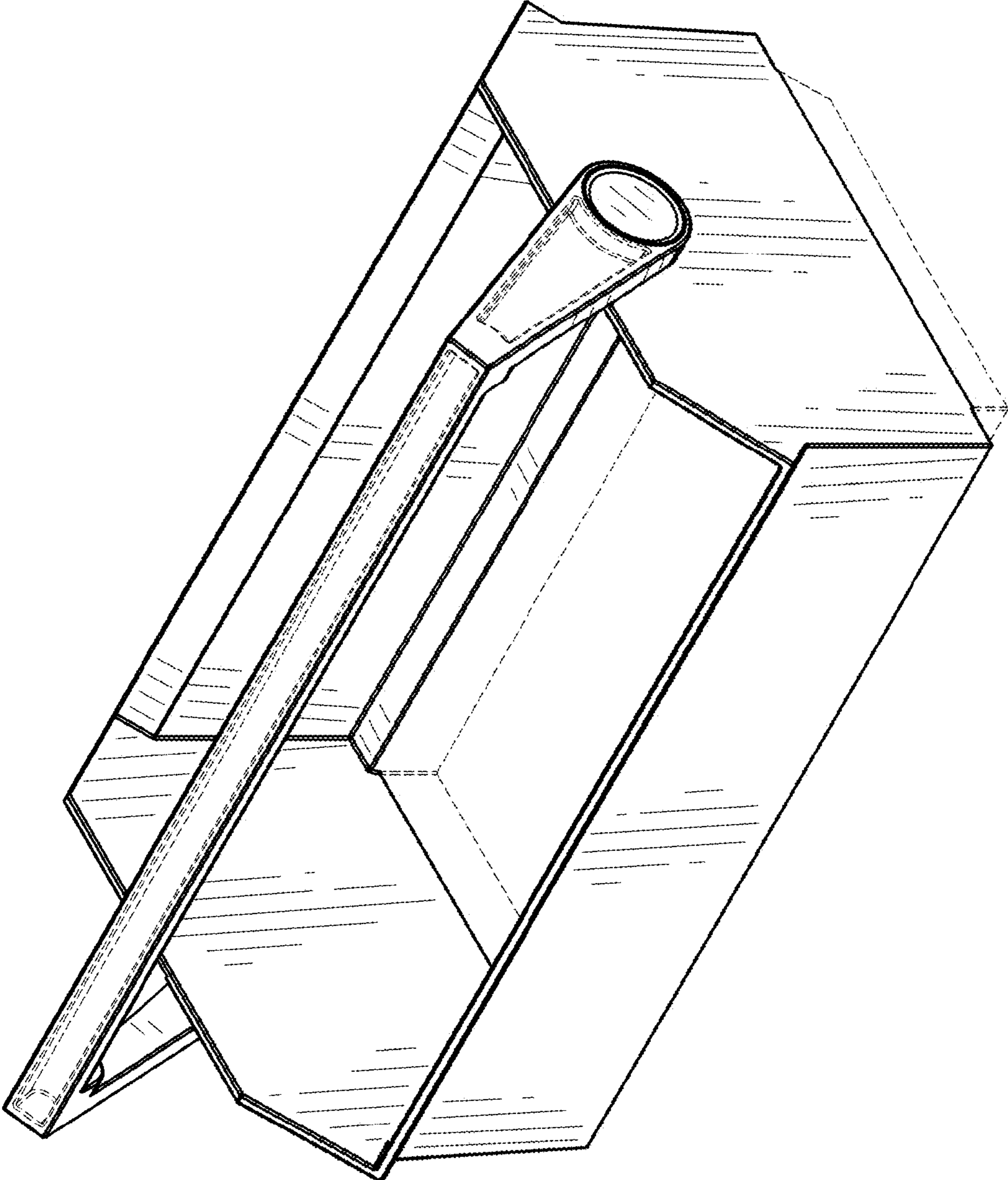


FIG. 21

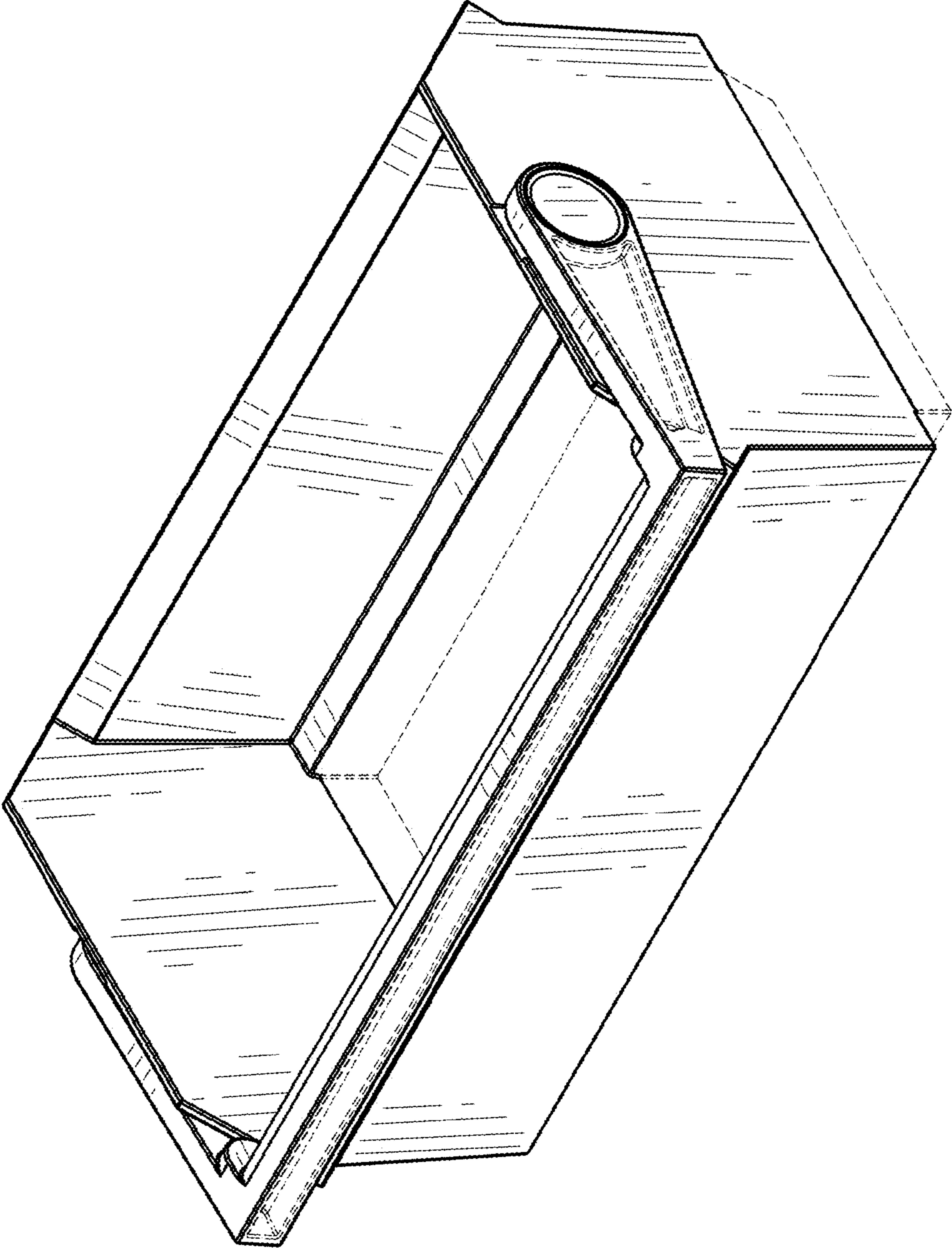


FIG. 22

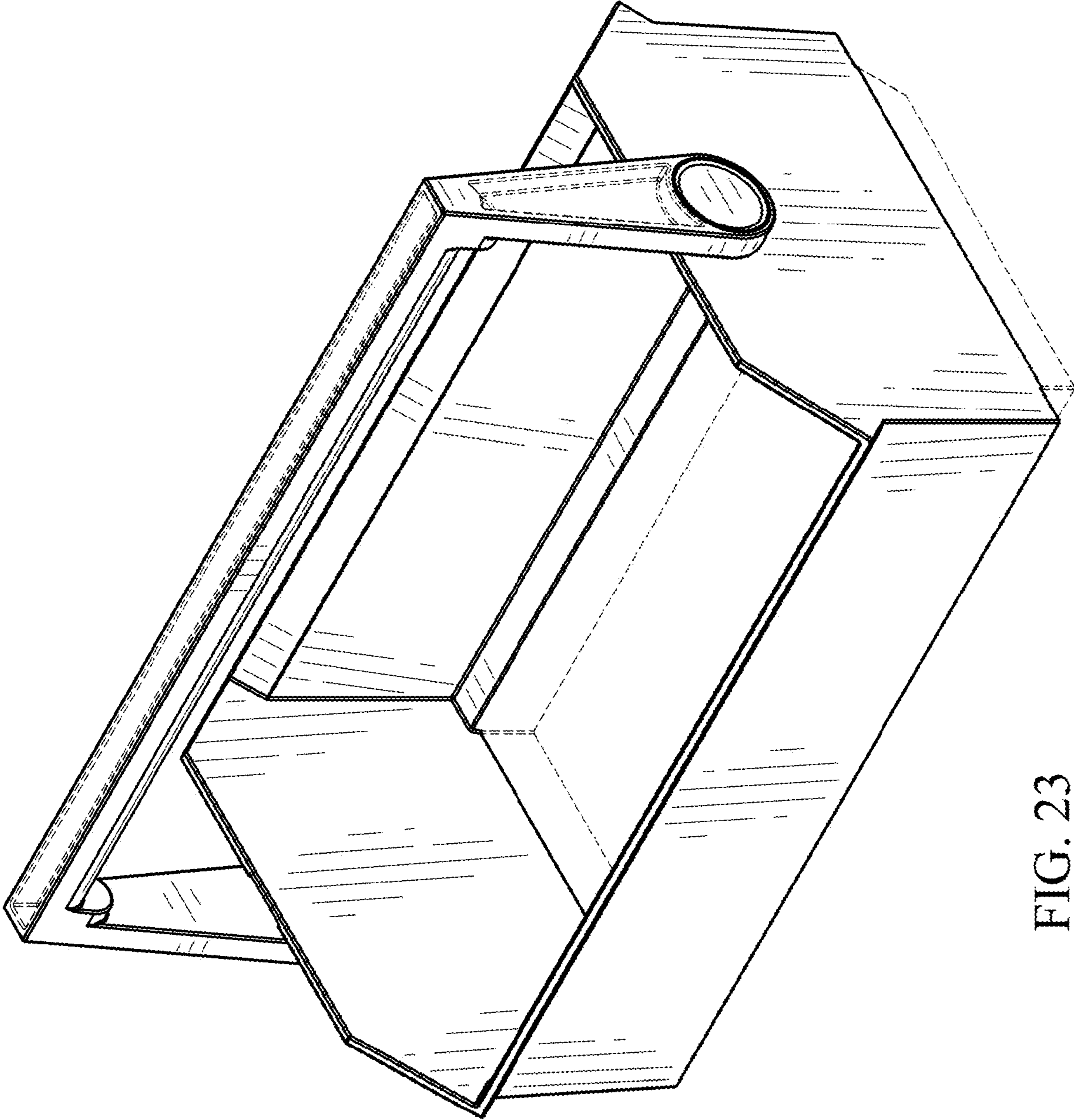


FIG. 23

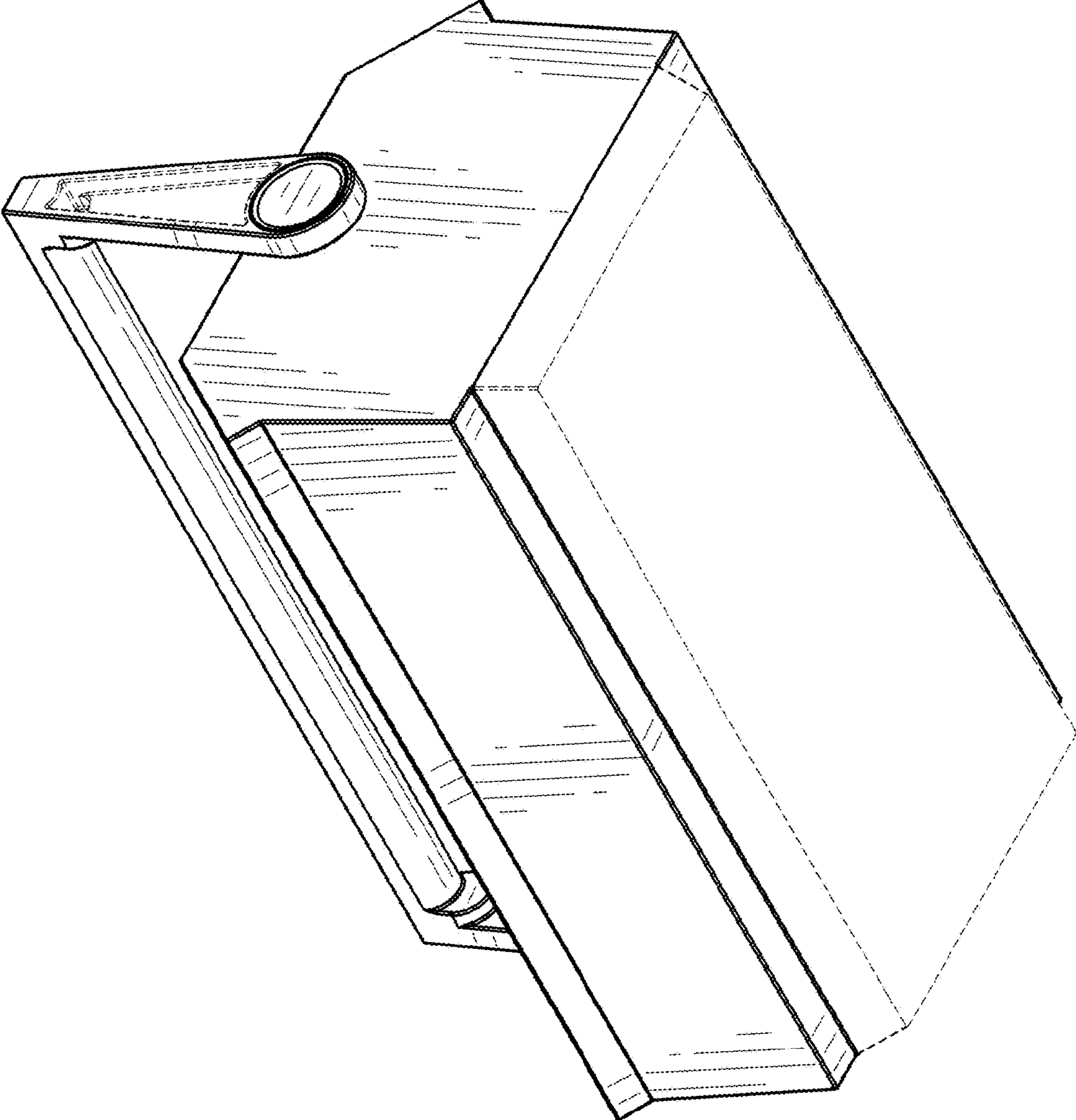


FIG. 24

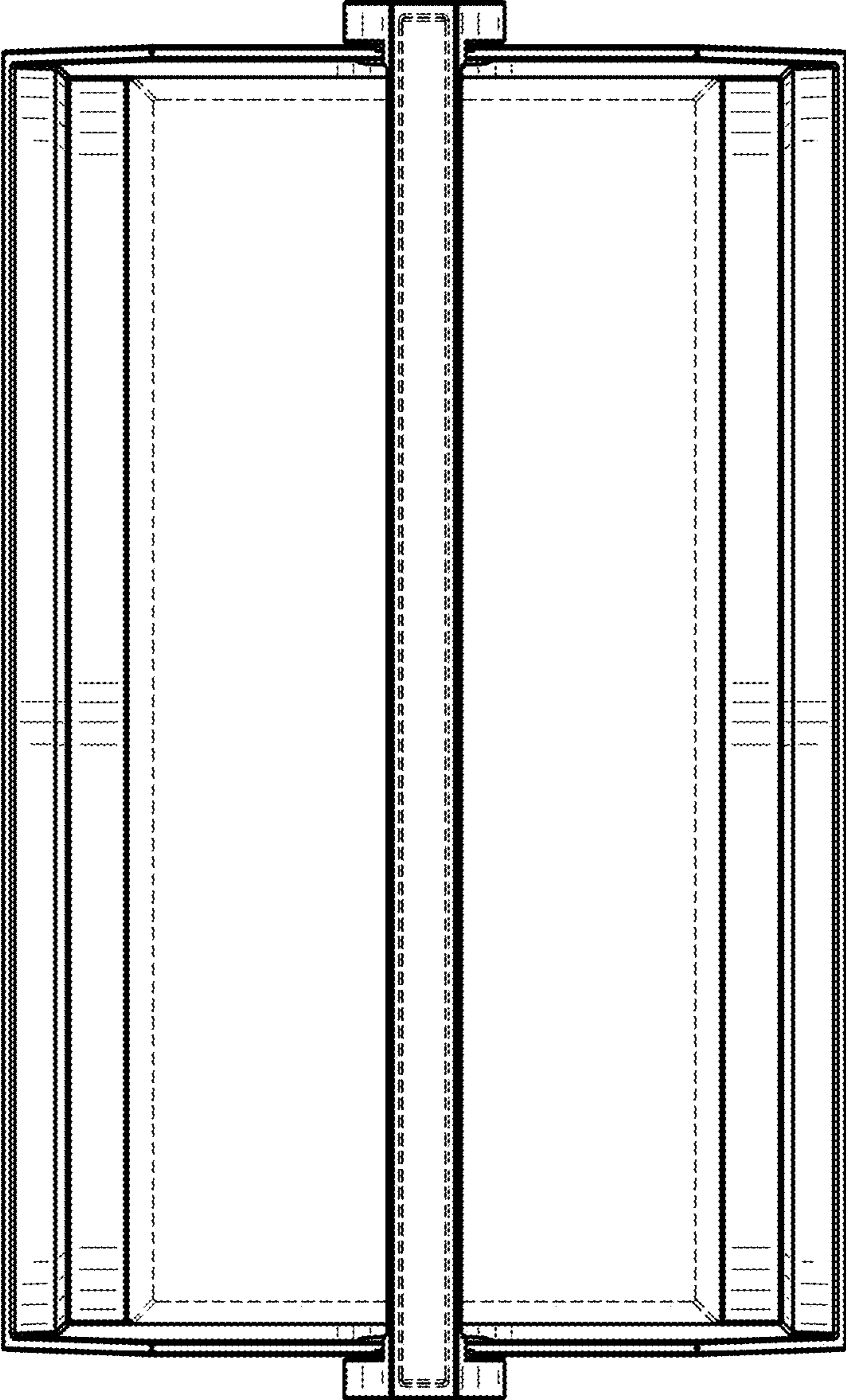


FIG. 25

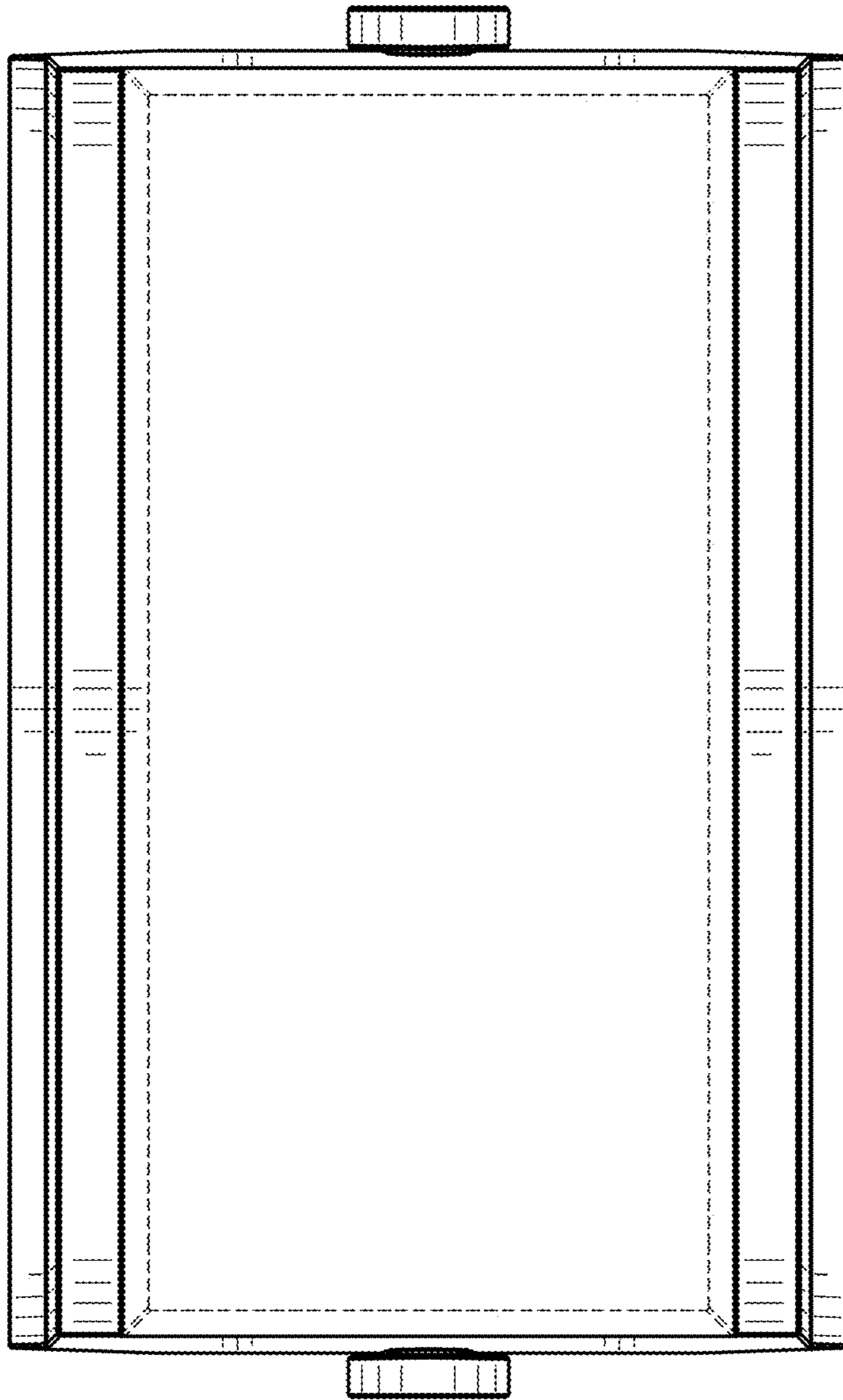


FIG. 26

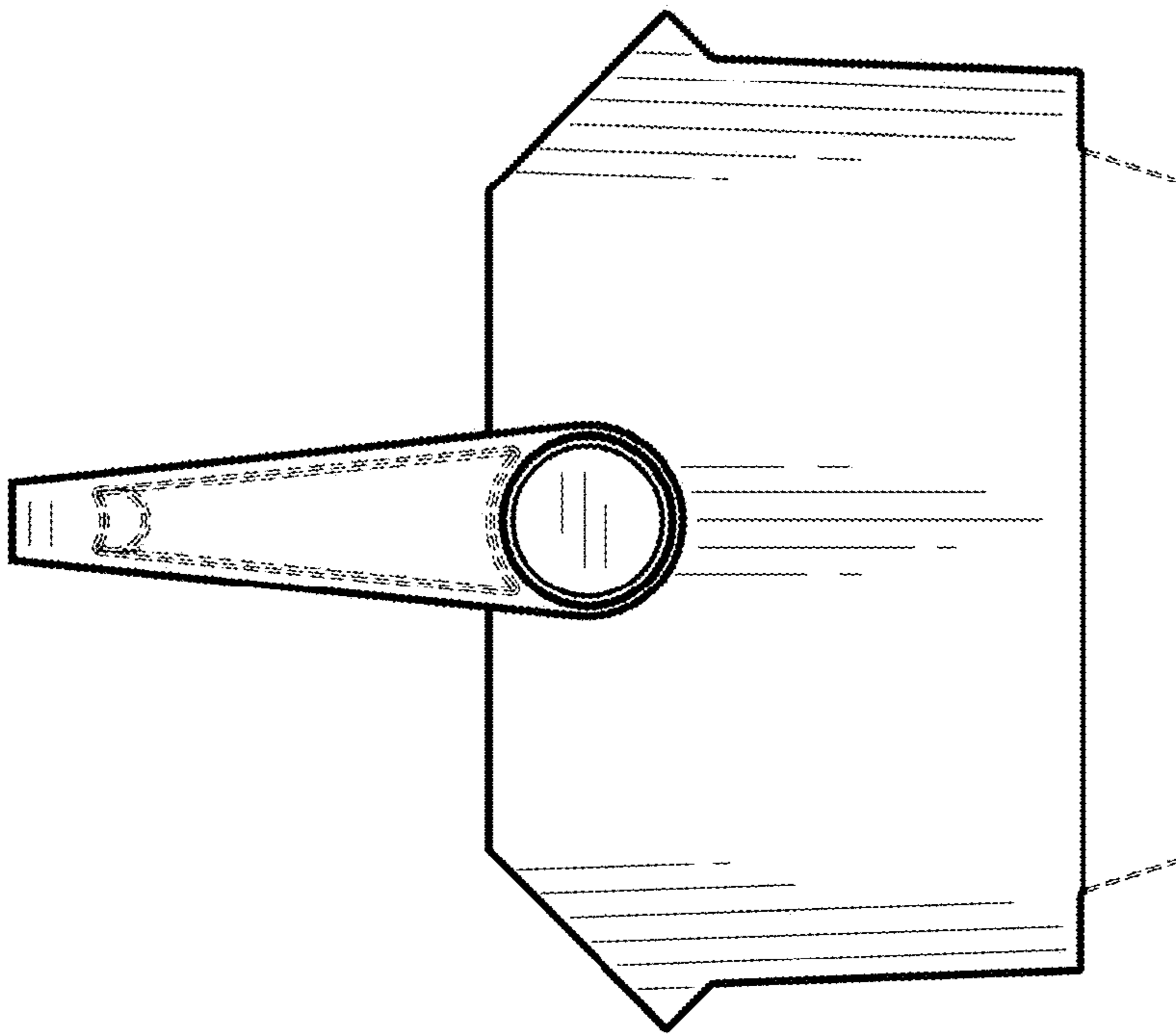


FIG. 27

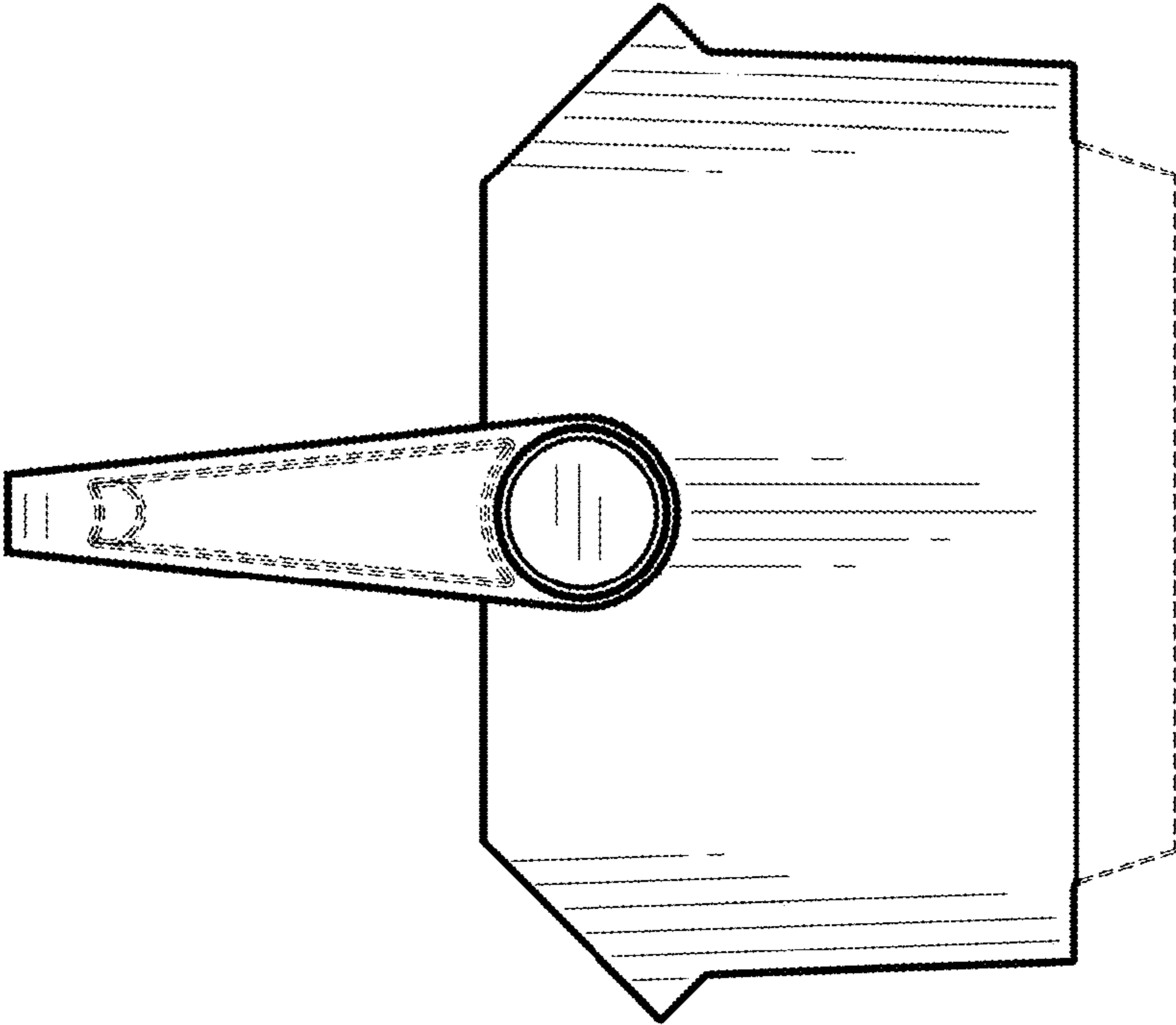


FIG. 28

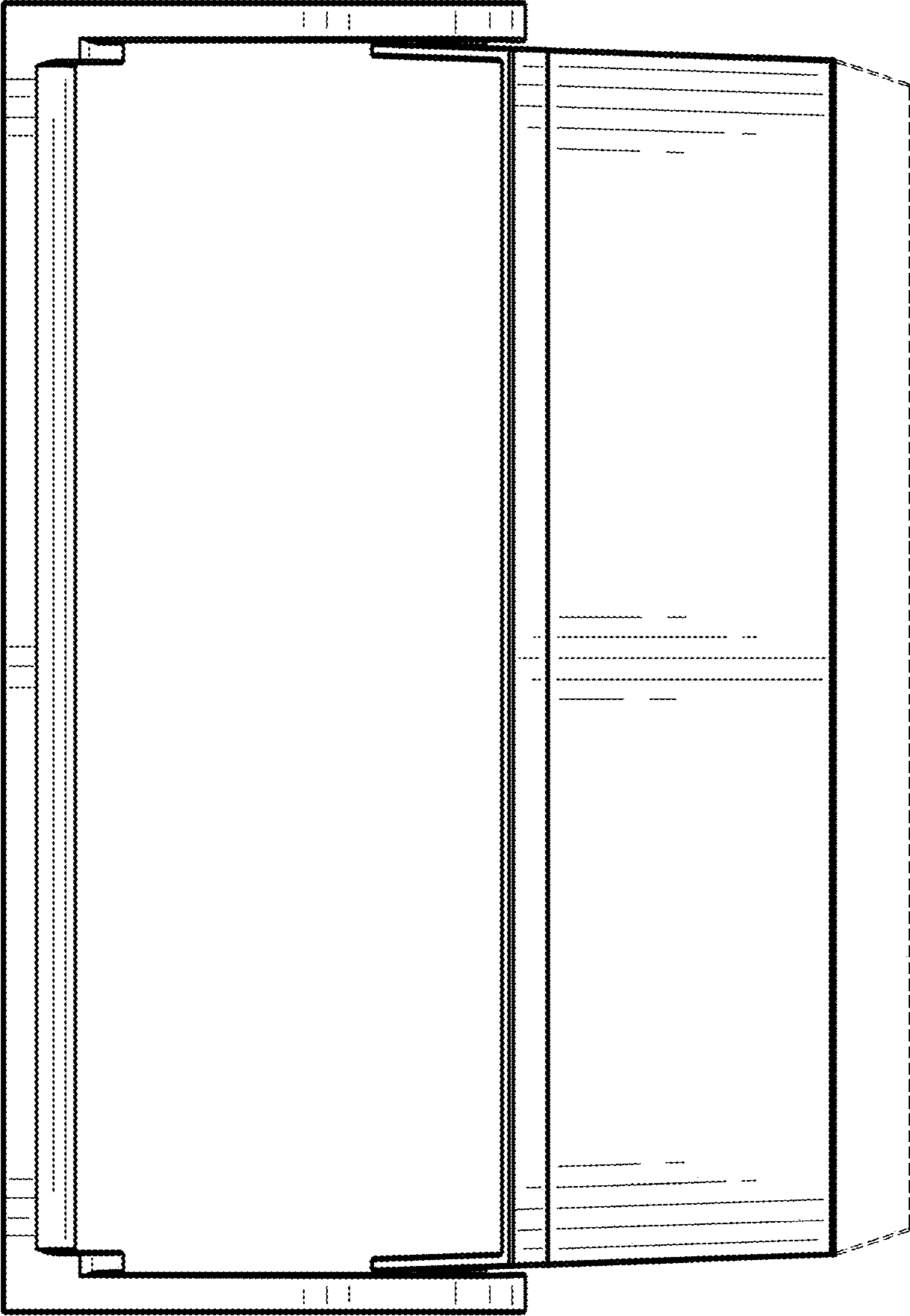


FIG. 29

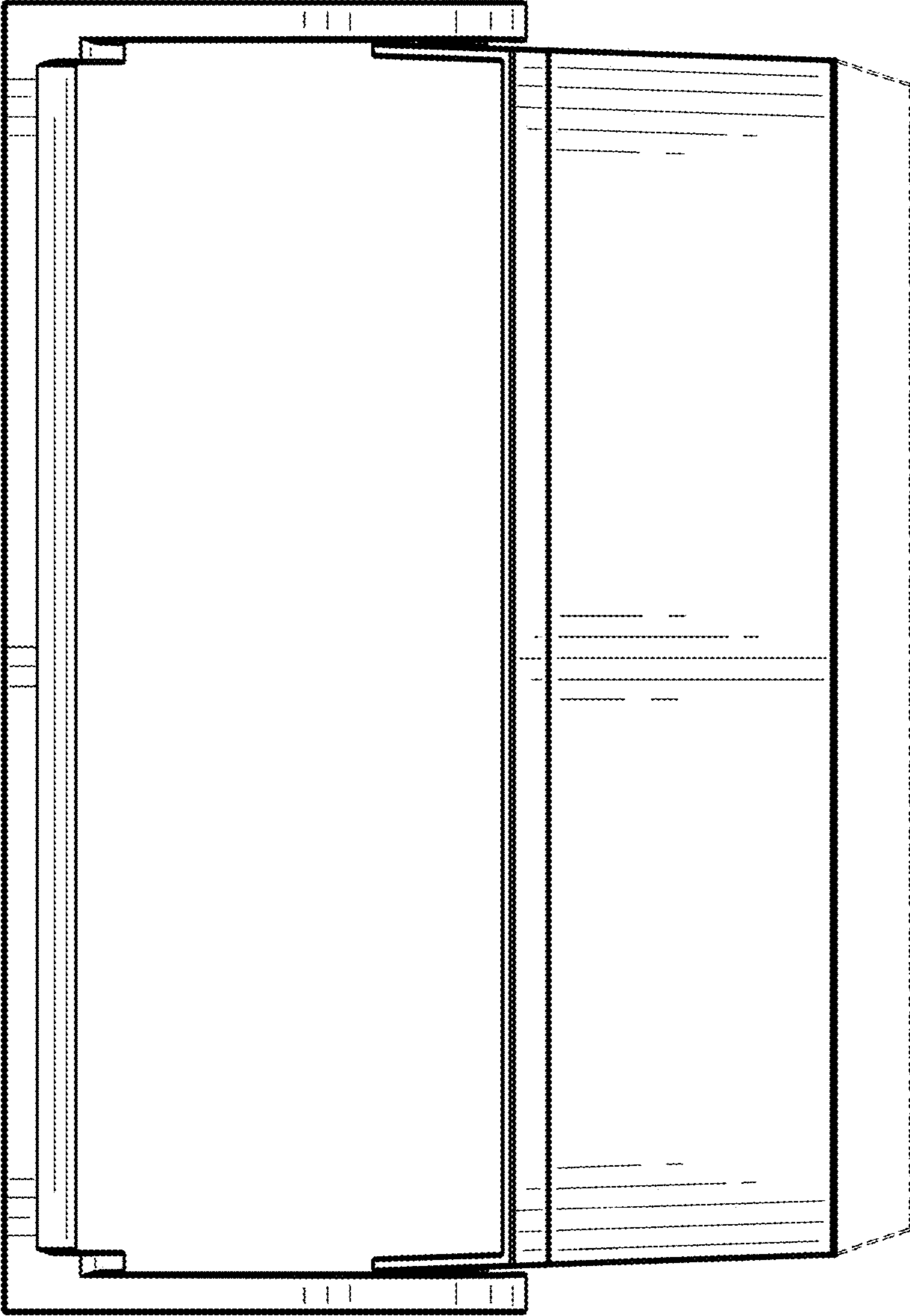


FIG. 30