

US00D968904S

(12) **United States Design Patent** (10) **Patent No.:** **US D968,904 S**
Huang (45) **Date of Patent:** **** Nov. 8, 2022**

(54) **TWIN BODY SPICE RACK**

FOREIGN PATENT DOCUMENTS

(71) Applicant: **Bodwin Brothers LLC**, Dover, DE (US)

CN 303569858 * 1/2016
CN 303638112 * 4/2016
CN 303652034 * 4/2016

(72) Inventor: **Lei Huang**, Dover, DE (US)

(**) Term: **15 Years**

OTHER PUBLICATIONS

(21) Appl. No.: **29/778,984**

(22) Filed: **Apr. 15, 2021**

(51) **LOC (13) Cl.** **07-09**

(52) **U.S. Cl.**
USPC **D7/600.4**

(58) **Field of Classification Search**
USPC D7/294, 319, 368, 392.1, 408-409, 420, D7/548-549, 550.1, 552.2, 553.1-553.2, D7/555, 600.4, 601-603, 605, 629-630, D7/637, 708.1, 709; D9/414-416, D9/424-425, 430-432, 759-761; D3/309; D6/317, 552, 654.11, 654.18, D6/672; D32/14, 21, 55
CPC A47F 5/01; A47L 19/04; A47K 3/281
See application file for complete search history.

Spice Rack, Vertical Spice, amazon.com, published by Vertical Spice, date first available on Sep. 12, 2013 © 1996-2021 u Amazon.com, Inc., online, site visited Nov. 12, 2021. URL: https://www.amazon.com/dp/BOOF4NOUT4/ref=sspa_dk_detail_4?psc=1&pd_rd_i=B00F4N0UT4&pd_rd_w=HGIHU&pf_rd_p=9fd3ea7c-b77c-42ac-b43b-c872d3f37c38&pd_rd_wg=eZhT3&pf_rd_r=1YREZKX1G3H3W6MTY385&pd_rd_r=d5ff414c-e407-4ae4-a9c1-86da7c53a2d7&spLa=ZW5jenlwdGVkUXVhbGlmaWVyPUEwNFdLTkJOQUc5NE40JmVuY3J5cHRIZEIkPUEwOTc4OTUzOEdZTzgwUzVGNktNjMmVuY3J5cHRIZEFkSWQ9QTA5NTUyNjk3MEZIVIBKWFVXVIYmd2lkZ2V0TmFtZT1zcF9kZXRhaWwmYWN0aW9uPWNsaWNrUmVkaXJlY3QmZG9Ob3Rmb2dDbGljaz10cnVI (Year: 2013).*

(Continued)

(56) **References Cited**

U.S. PATENT DOCUMENTS

D129,171 S * 8/1941 Hutchings D3/309
2,886,186 A * 5/1959 Hamilton A47B 31/00
108/189
3,280,989 A * 10/1966 Melvin A47F 5/01
211/133.2
3,536,016 A * 10/1970 Chesley A47B 87/0215
108/181
D285,853 S * 9/1986 Hubert D34/21
5,326,062 A * 7/1994 Remmers A47B 55/02
211/106
D400,334 S * 10/1998 Hawkins D34/21
6,173,847 B1 * 1/2001 Zellner, III A47B 55/02
211/186
D557,520 S * 12/2007 Samtani D6/675.1
D677,530 S 3/2013 Goodman et al.
D739,681 S 9/2015 Bee
D760,033 S * 6/2016 Khaitan D7/600.4

(Continued)

Primary Examiner — Holly E Thurman
Assistant Examiner — Altaira J Swangin
(74) *Attorney, Agent, or Firm* — Whitewood Law PLLC

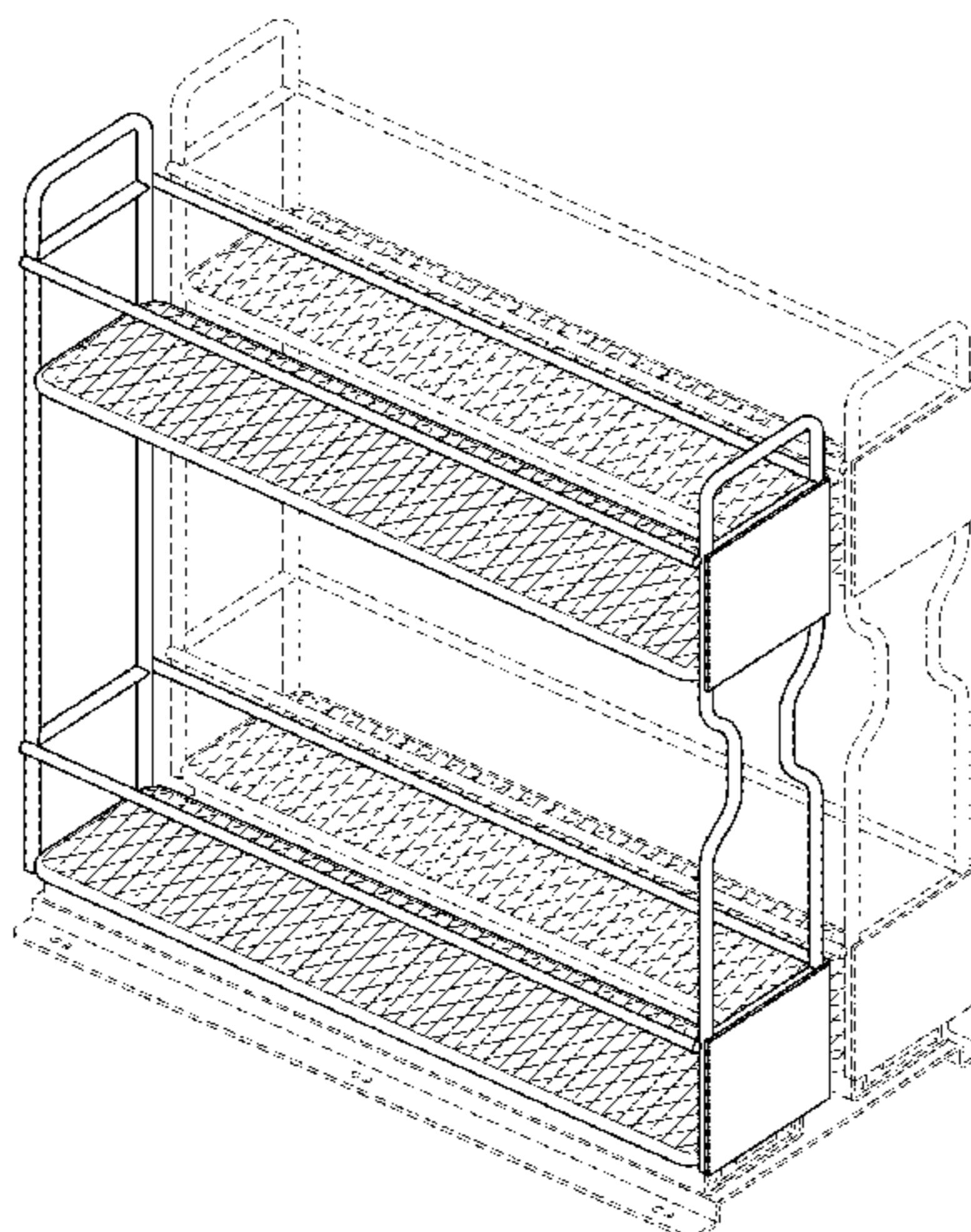
(57) **CLAIM**

What is claimed is an ornamental design for a twin body spice rack, as shown and described.

DESCRIPTION

FIG. 1 is a top left perspective view of a twin body spice rack showing my new design;
FIG. 2 is a right side elevational view thereof;
FIG. 3 is a left side elevational view thereof;
FIG. 4 is a front view thereof;
FIG. 5 is a rear view thereof;
FIG. 6 is a top plan view thereof; and,
FIG. 7 is a bottom plan thereof.
The broken lines shown in all the drawings depict portions of the twin body spice rack that form no part of the claimed design.

1 Claim, 7 Drawing Sheets



(56)

References Cited

U.S. PATENT DOCUMENTS

D809,730 S * 2/2018 Churchvara D34/21
 D876,169 S * 2/2020 Klein D7/600.4
 D878,700 S * 3/2020 Dardashti D34/14
 D898,319 S * 10/2020 Strandmark D34/21
 D898,487 S 10/2020 Wilson
 10,959,516 B2 * 3/2021 Cheng A47B 47/024
 D928,874 S * 8/2021 Hu D19/92
 D930,930 S * 9/2021 Tan D32/55
 D956,457 S * 7/2022 Klein D6/675.5
 D956,480 S * 7/2022 Klein D7/600.4
 2010/0288717 A1 * 11/2010 Morandi A47B 43/00
 211/187
 2015/0096953 A1 * 4/2015 Lai A47B 47/024
 211/186

OTHER PUBLICATIONS

Pull Out Spice Rack, SpaceAid, amazon.com, published by SpaceAid, date first available on Aug. 26, 2021 © 1996-2021 Amazon.com, Inc., online, site visited Nov. 12, 2021. Available from Internet, URL: https://www.amazon.com/SpaceAid-Organizer-Cabinet-Seasoning-Cabinets/dp/B0986XZ54_7/ref=sr_1_59?keywords=double+spice+rack&qid=1636739845&sr=8-59 (Year: 2021).*

* cited by examiner

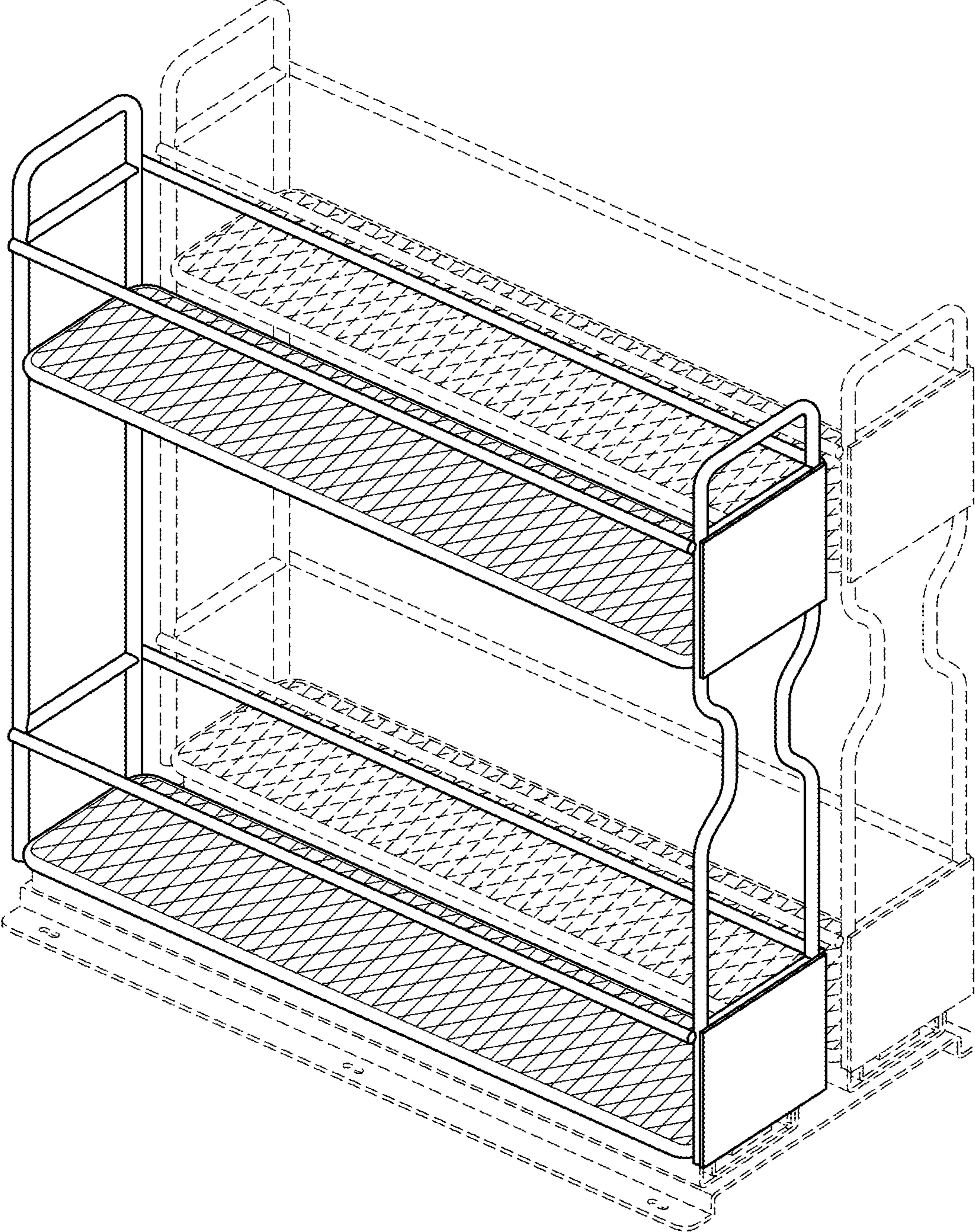


FIG. 1

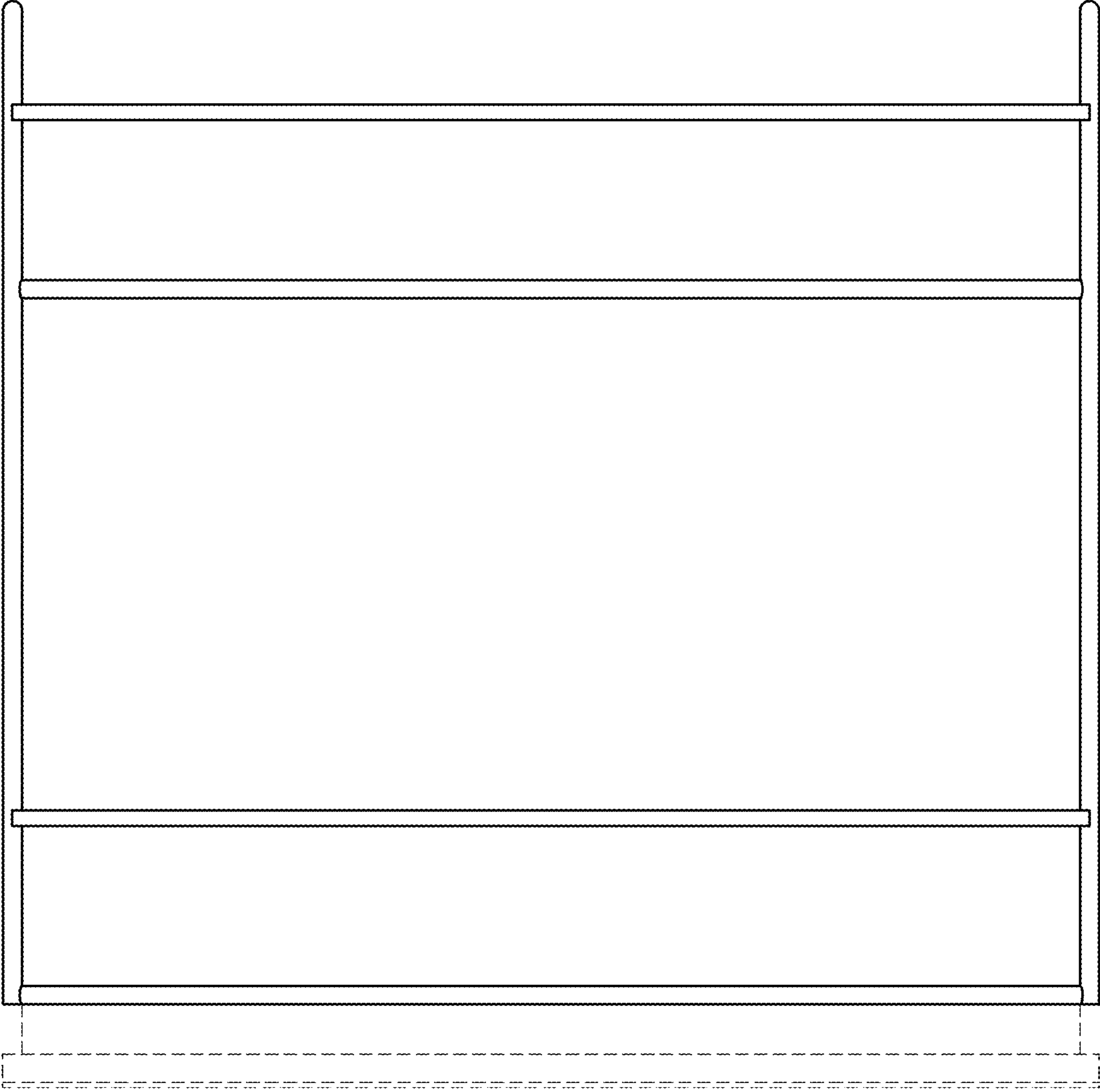


FIG. 2

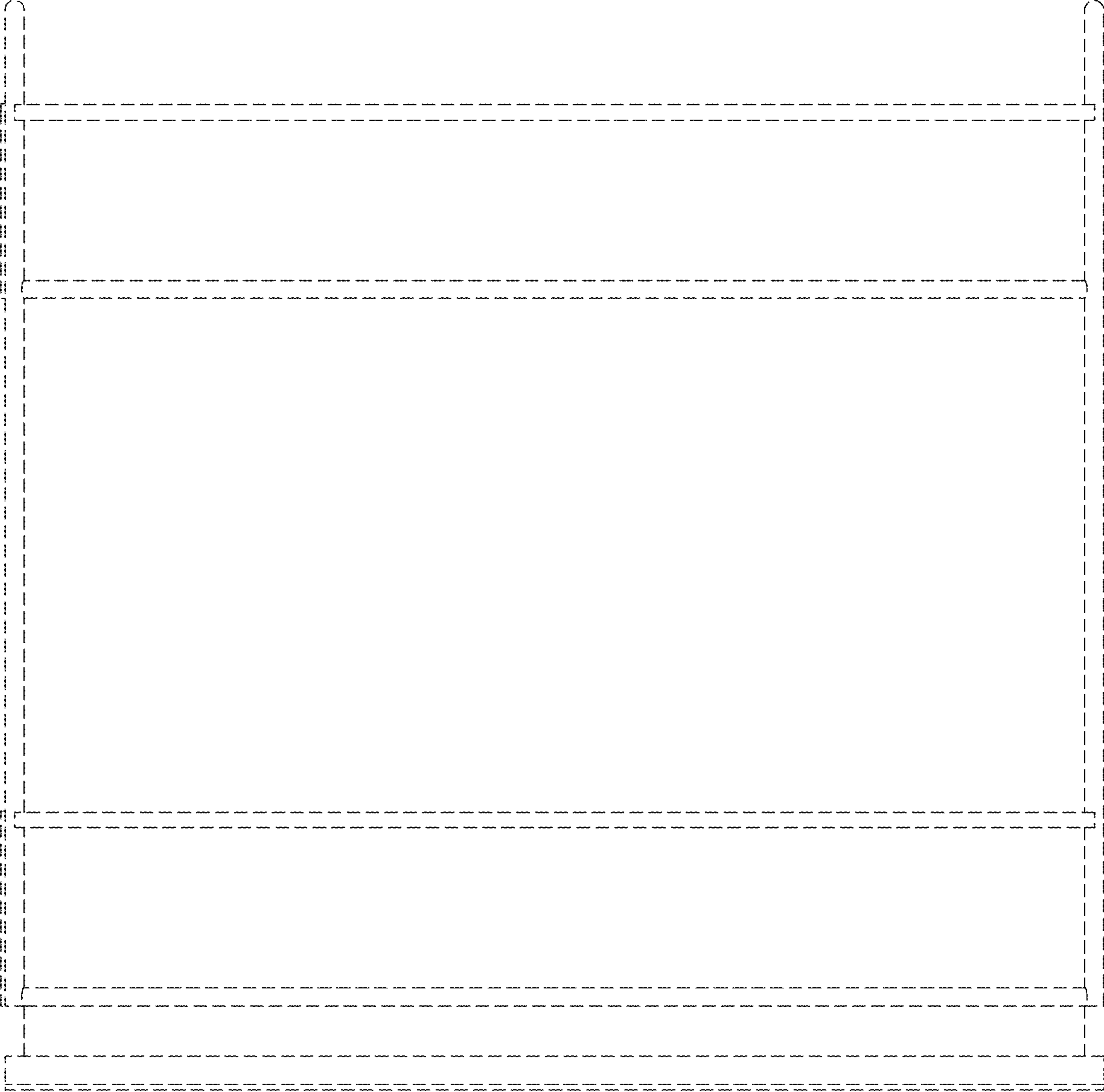


FIG. 3

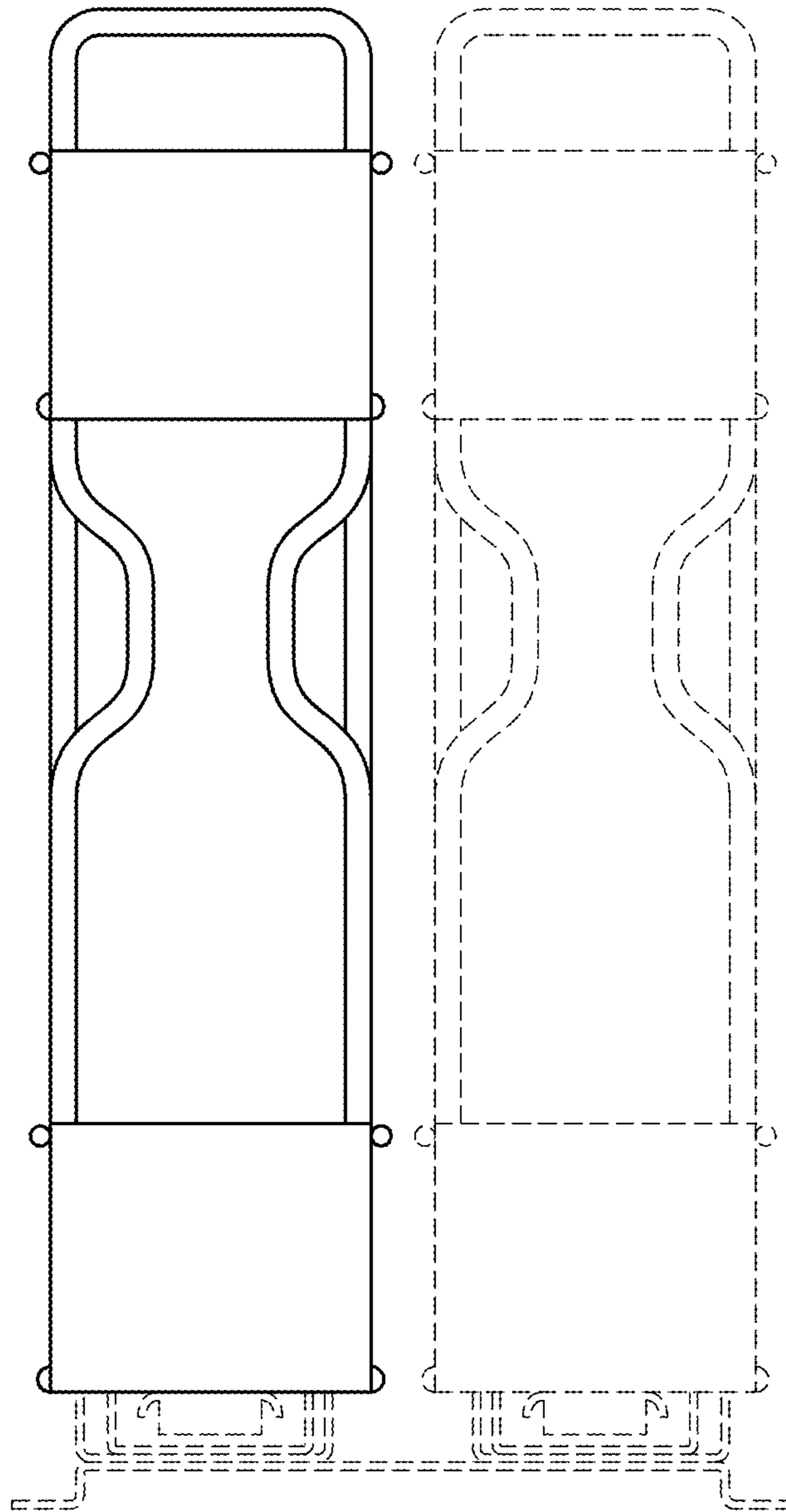


FIG. 4

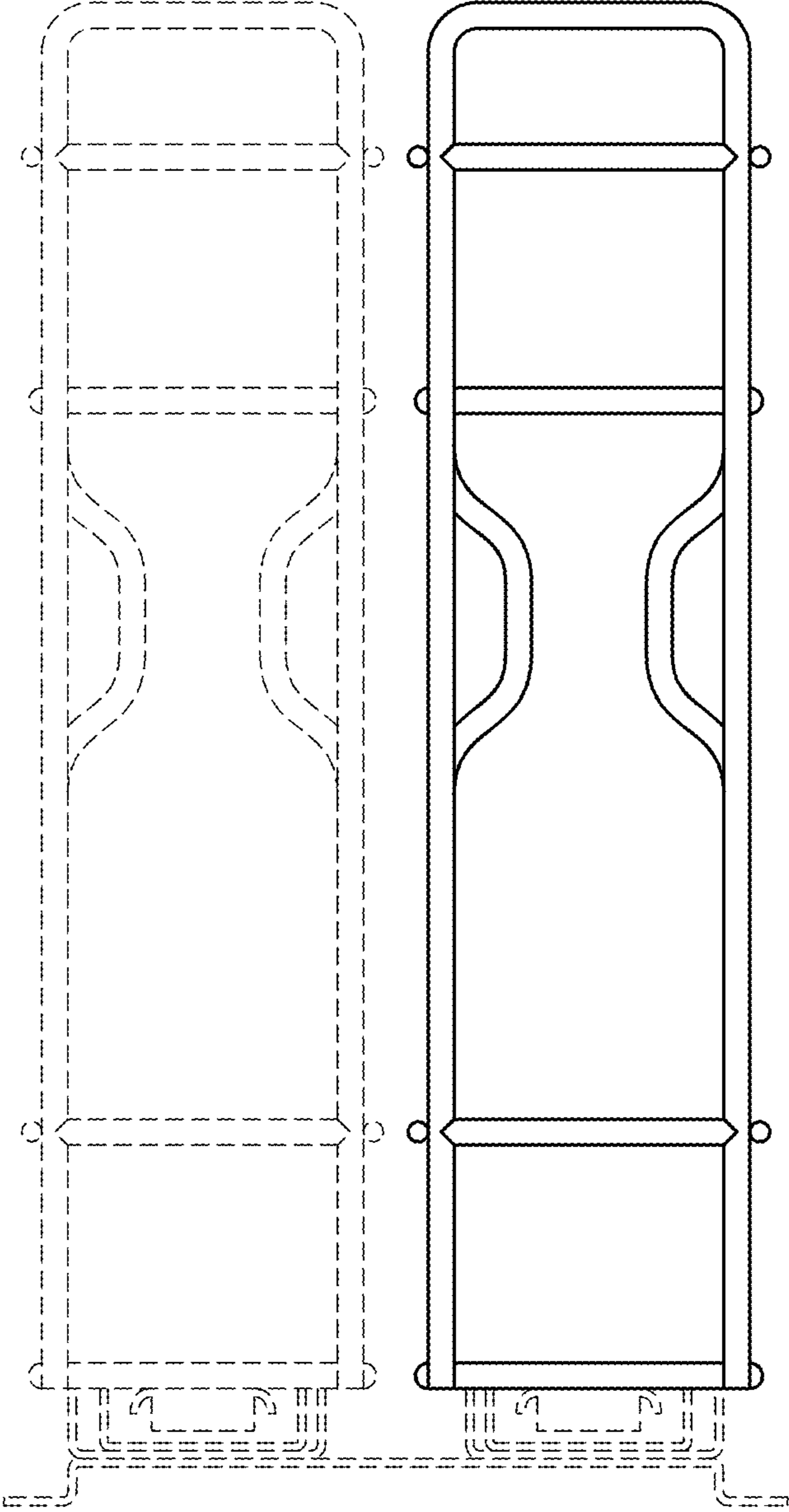


FIG. 5

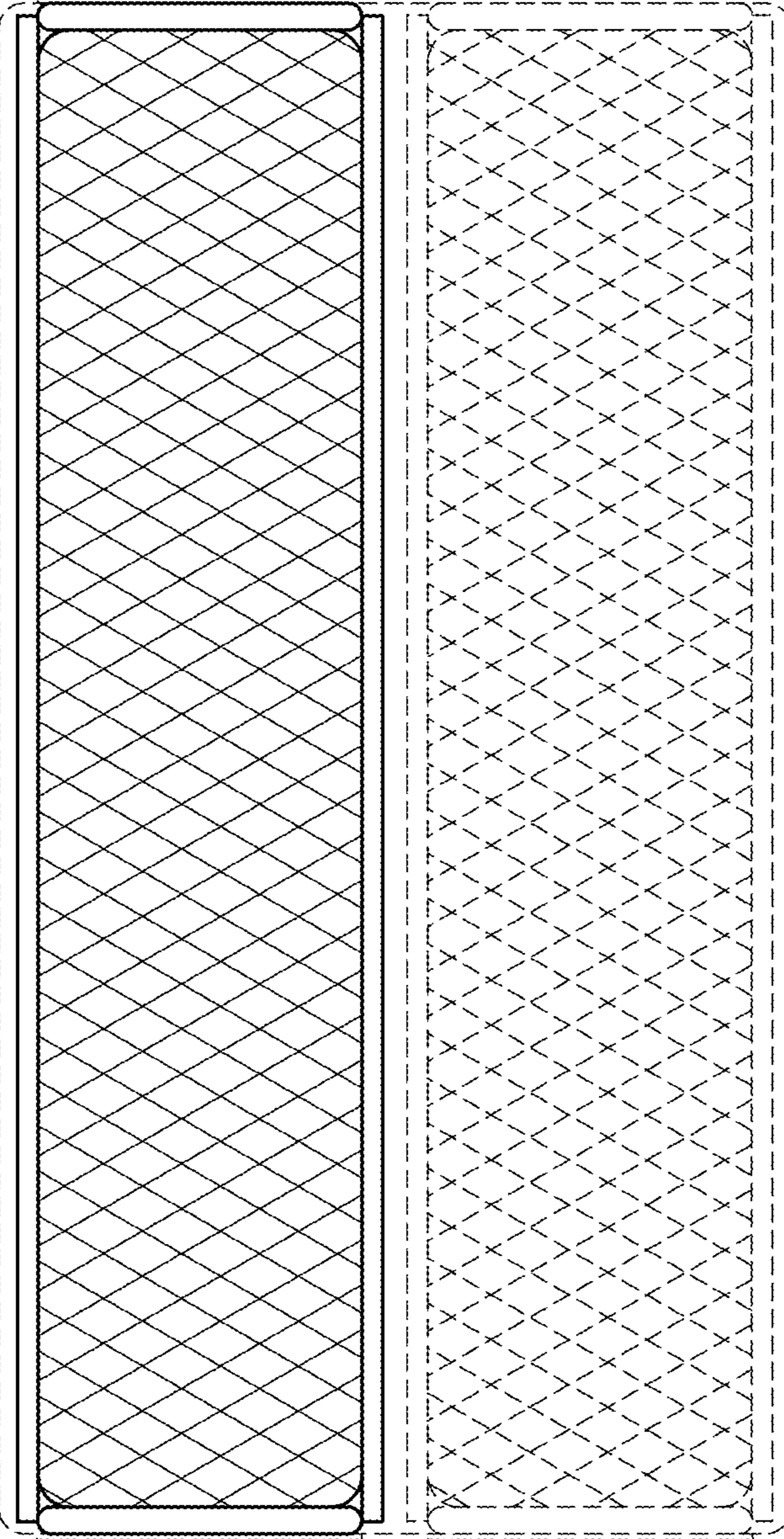


FIG. 6

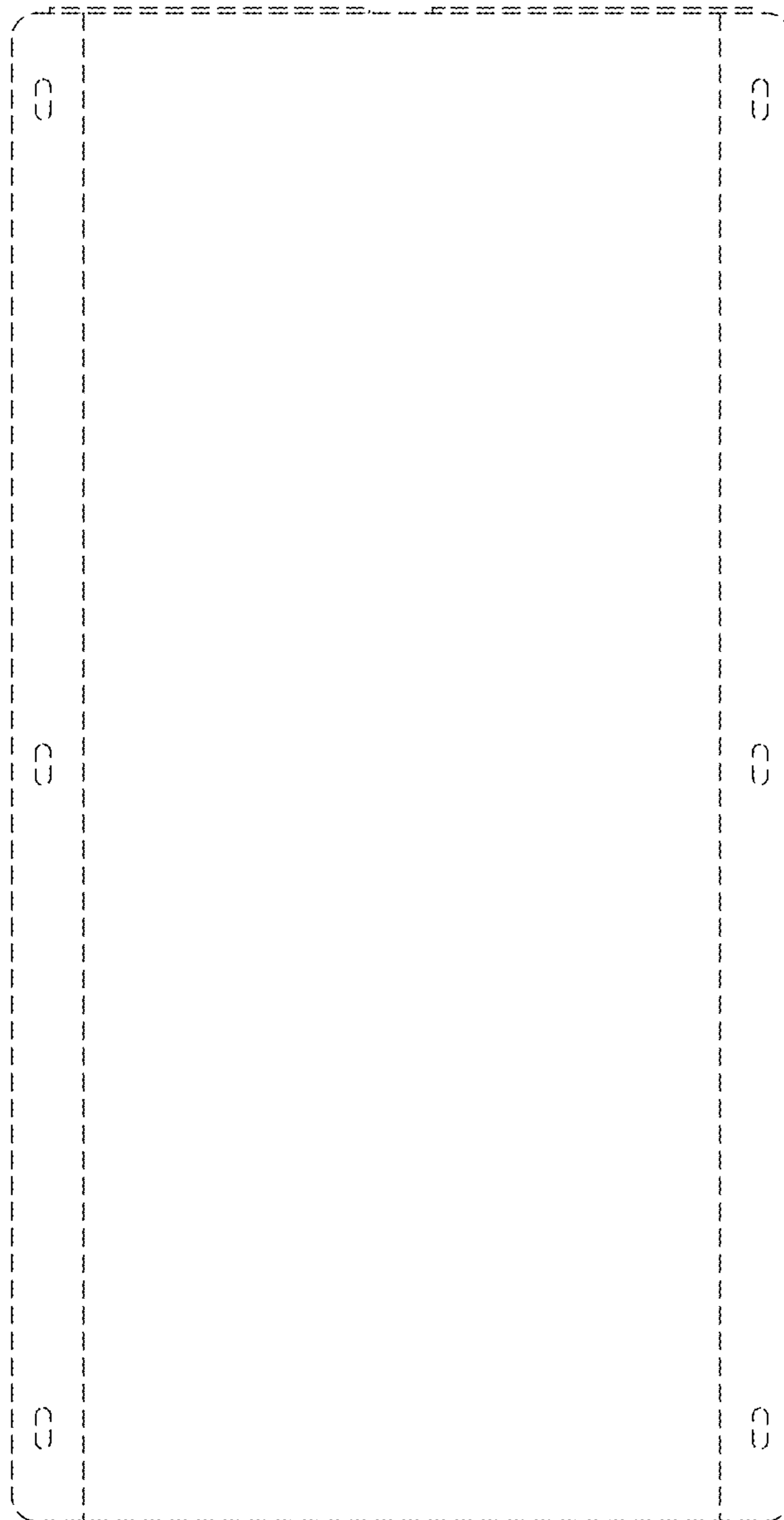


FIG. 7