



US00D968903S

(12) **United States Design Patent** (10) **Patent No.:** **US D968,903 S**
Sabounjian et al. (45) **Date of Patent:** **** Nov. 8, 2022**

(54) **WIRE SPICE RACK**
(71) Applicants: **Azad Sabounjian**, Irvine, CA (US);
Sam C. Sabounjian, Irvine, CA (US)
(72) Inventors: **Azad Sabounjian**, Irvine, CA (US);
Sam C. Sabounjian, Irvine, CA (US)

D724,357 S * 3/2015 Lim A47B 47/047
D6/675.1
D737,079 S * 8/2015 Tsai D6/675.3
D747,629 S * 1/2016 Goodman D7/600.4
D775,891 S * 1/2017 Lewis-Foor D7/409
D787,244 S * 5/2017 Lee D6/678.4
D802,370 S * 11/2017 Tsai D7/600.4

(Continued)

(**) Term: **15 Years**

FOREIGN PATENT DOCUMENTS

(21) Appl. No.: **29/759,209**

CN 306371860 * 3/2021
CN 306537752 * 5/2021

(22) Filed: **Nov. 20, 2020**

OTHER PUBLICATIONS

(51) **LOC (13) Cl.** **07-09**

(52) **U.S. Cl.**
USPC **D7/600.4**

(58) **Field of Classification Search**
USPC D7/408–409, 550.1, 552.2, 553.1, 553.2,
D7/554.3, 590, 592, 596–597, 600.1,
D7/600.3–600.4, 601–602, 619.1, 630,
D7/632, 690, 704–705, 707;
D6/524–525, 537, 566–567, 571, 654.11,
D6/654.18, 655.11, 675.1–675.4, 683.1,
D6/677.2, 677.5, 678.4, 692.4–692.6,
D6/696.3, 705, 705.6, 706; D9/681, 737,
D9/745, 747, 756–758, 761; D3/304–306
CPC A47F 5/01; A47L 19/04; A47K 3/281;
A47K 1/09; A47B 55/02; A47B 88/90;
A47B 88/40
See application file for complete search history.

Expandable 3 Tier Organizer, brand unlisted, overstock.com, author and date unlisted © Overstock.com, online, site visited Nov. 2, 2021. Available at URL: <https://www.overstock.com/Home-Garden/Spice-Rack-Adjustable-Expandable-3-Tier-Organizer-for-Counter-Cabinet-Pantry-Cabinet-Pantry-Storage-Shelves-by-Lavish-Home/26412305/product.html> (Year: 2021).*

(Continued)

Primary Examiner — Holly E Thurman
Assistant Examiner — Altaira J Swangin
(74) *Attorney, Agent, or Firm* — Stetina Brunda Garred & Brucker

(57) **CLAIM**

The ornamental design for a wire spice rack, as shown and described.

(56) **References Cited**

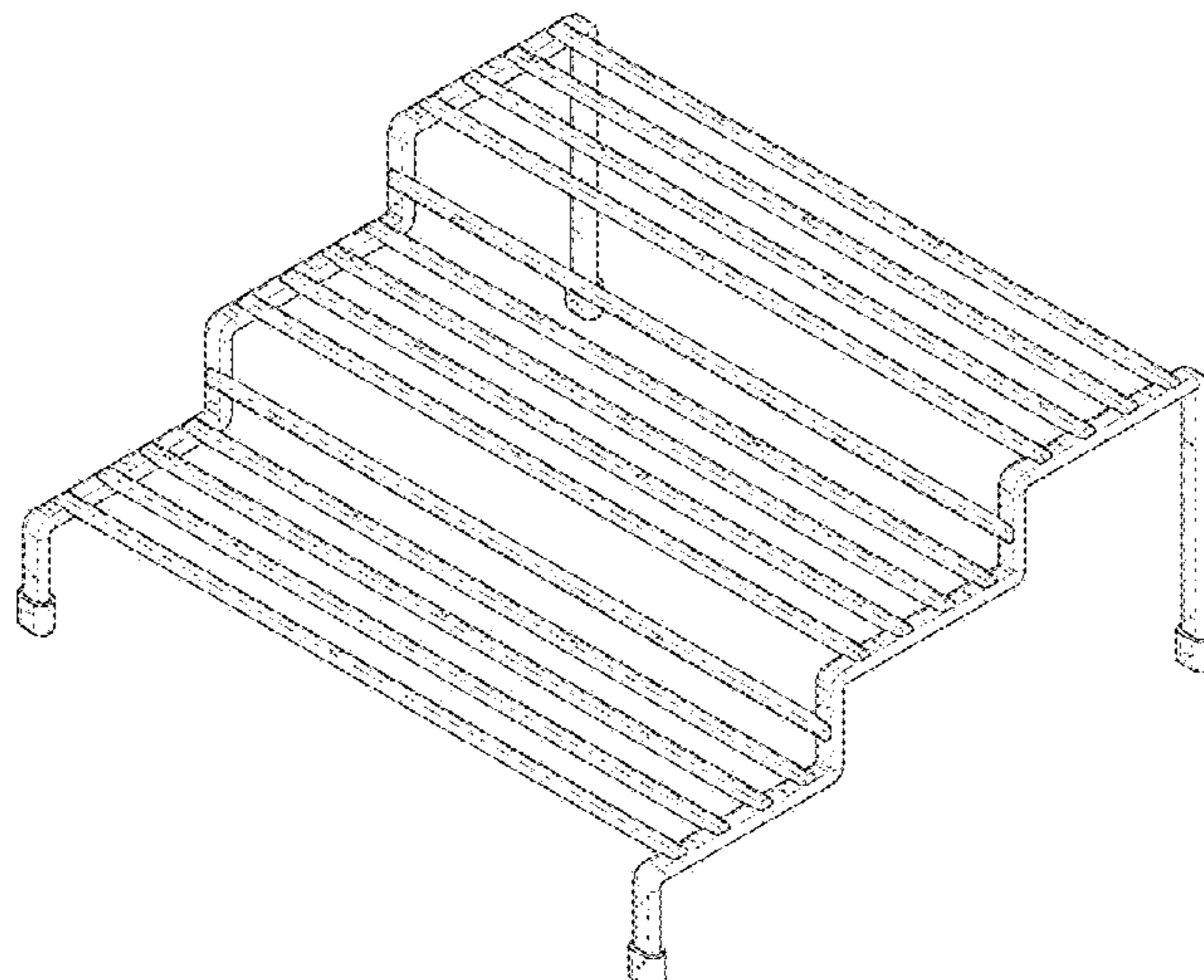
DESCRIPTION

U.S. PATENT DOCUMENTS

1,859,871 A * 5/1932 Harlan A47F 5/01
248/175
D181,560 S * 11/1957 Varnado D25/65
D207,564 S * 5/1967 Hartford D7/600.1
D319,356 S * 8/1991 Vukelich, Sr. D6/405
D365,967 S * 1/1996 Smouse D7/409
D587,040 S * 2/2009 Goodman D19/92
D587,492 S * 3/2009 Gusdorf D6/675.5
D713,188 S * 9/2014 Gokhale D6/705.6
D717,599 S * 11/2014 Lu D7/409

FIG. 1 is a top perspective view of a wire spice rack;
FIG. 2 is a front view of the wire spice rack of FIG. 1;
FIG. 3 is a back view of the wire spice rack of FIG. 1;
FIG. 4 is a top view of the wire spice rack of FIG. 1;
FIG. 5 is a bottom view of the wire spice rack of FIG. 1;
FIG. 6 is a left side view of the wire spice rack of FIG. 1;
and,
FIG. 7 is a right side view of the wire spice rack of FIG. 1.

1 Claim, 7 Drawing Sheets



(56)

References Cited

U.S. PATENT DOCUMENTS

D813,575	S *	3/2018	Kraemer	D6/675.3
D852,581	S *	7/2019	Hackley	D7/409
D908,408	S *	1/2021	Sabounjian	D6/678.4
D911,084	S *	2/2021	Sabounjian	D6/675.2
D911,782	S *	3/2021	Li	D7/600.4
D913,040	S *	3/2021	Corless	D7/409
D925,990	S *	7/2021	Yan	D7/600.4
D927,901	S *	8/2021	Sabounjian	D6/675.5
D927,902	S *	8/2021	Sabounjian	D6/675.5
D931,057	S *	9/2021	Xin	D7/600.4
D933,997	S *	10/2021	Sabounjian	D6/566
2015/0014263	A1 *	1/2015	Lo	A47B 87/0207 211/182
2019/0231096	A1 *	8/2019	Bacallao	A47F 9/042
2020/0037759	A1 *	2/2020	Ward	A47F 5/0062
2021/0025233	A1 *	1/2021	West	E06C 7/146
2021/0079726	A1 *	3/2021	Chiao	A47B 45/00

OTHER PUBLICATIONS

Expandable Wire Spice Rack, Mainstays, walmart.com, author and date unlisted © 2021 Walmart, online, site visited Nov. 2, 2021. Available at URL: <https://www.walmart.com/ip/Mainstays-Expandable-Metal-Kitchen-Pantry-Organization-Wire-Spice-Rack-White/498001403> (Year: 2021).*

3 Tier Spice Rack, Geode, homedepot.com, author and date unlisted © 2000-2021 Home Depot Authority, LLC, online, site visited Nov. 2, 2021. Available at URL: <https://www.homedepot.com/p/Kitchen-Details-Geode-3-Tier-Spice-Rack-in-Copper-23381-COPPER/304139867> (Year: 2021).*

* cited by examiner

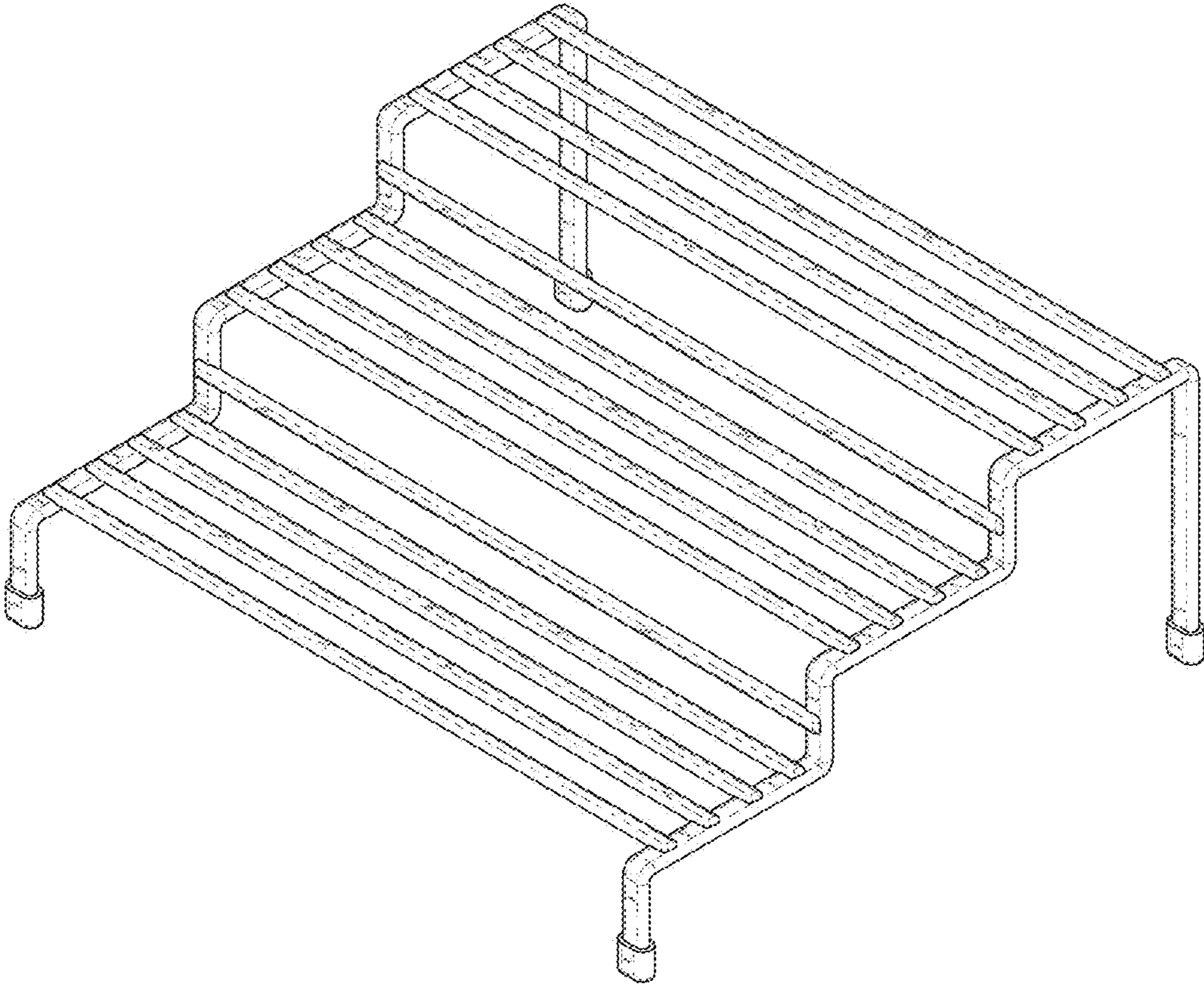


FIG. 1

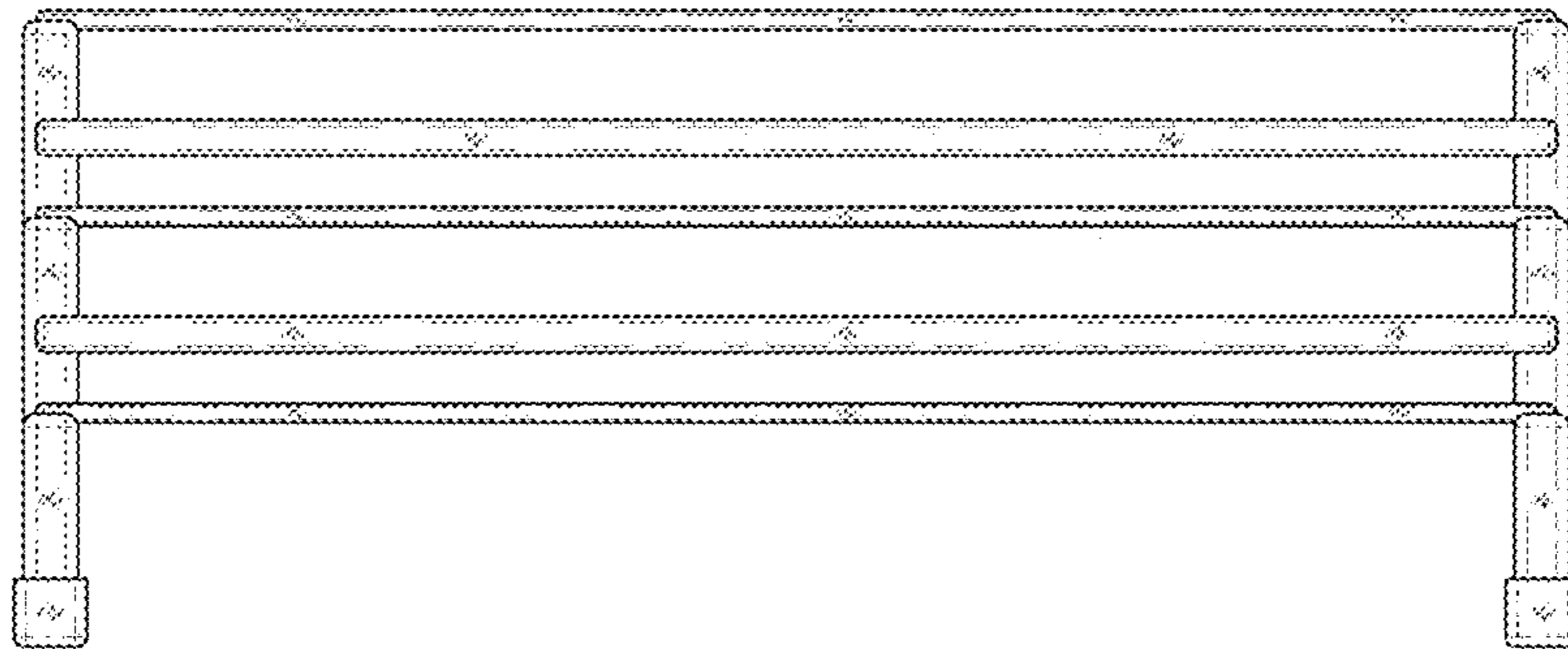


FIG. 2

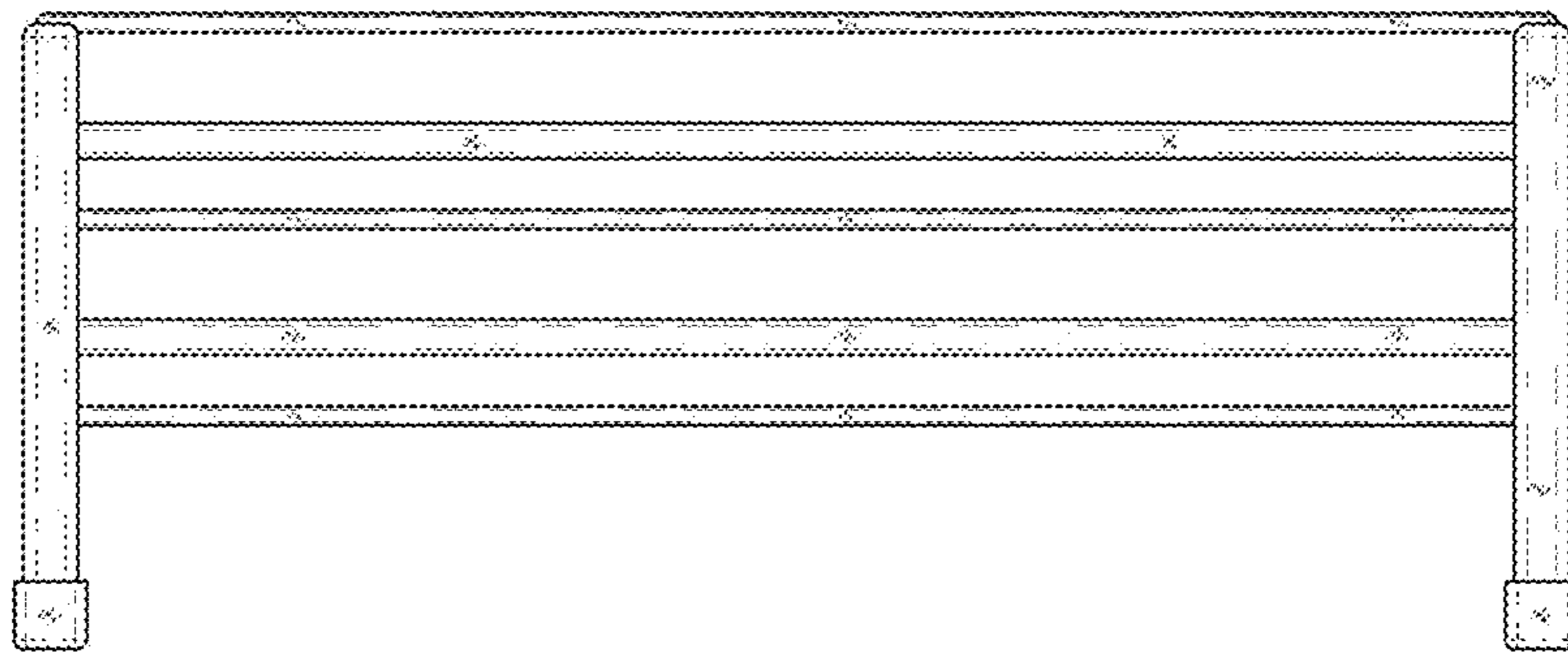


FIG. 3

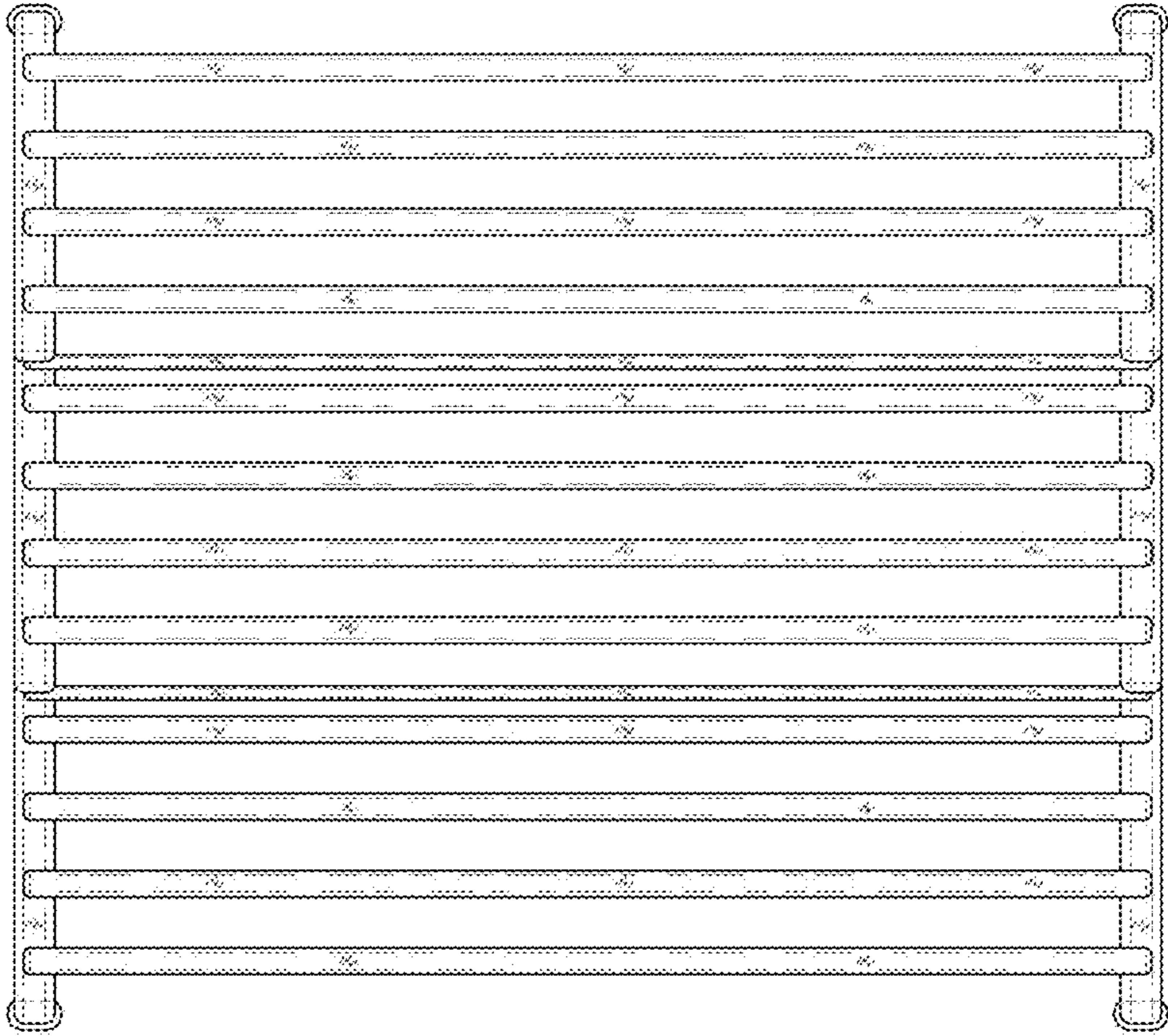


FIG. 4

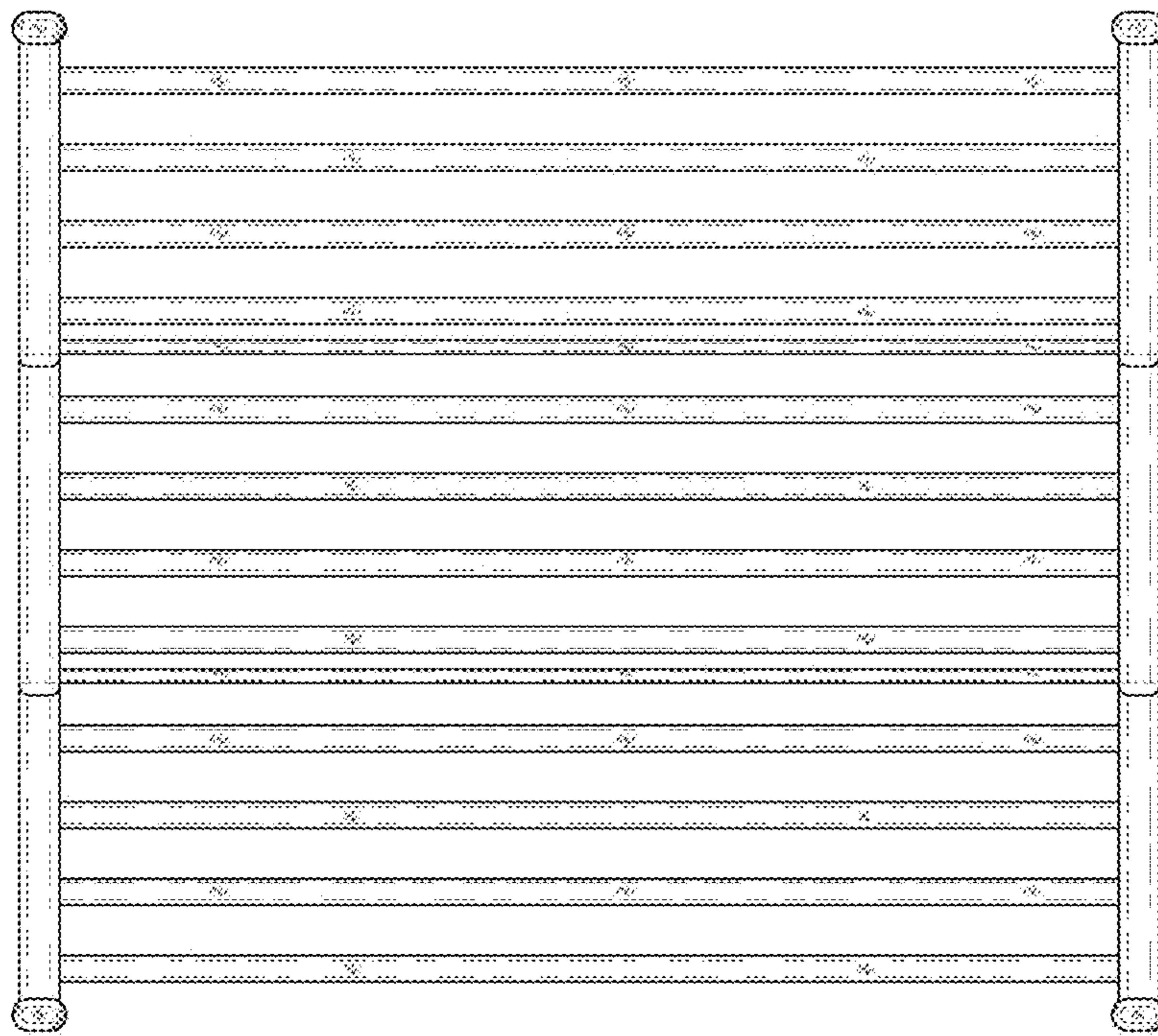


FIG. 5

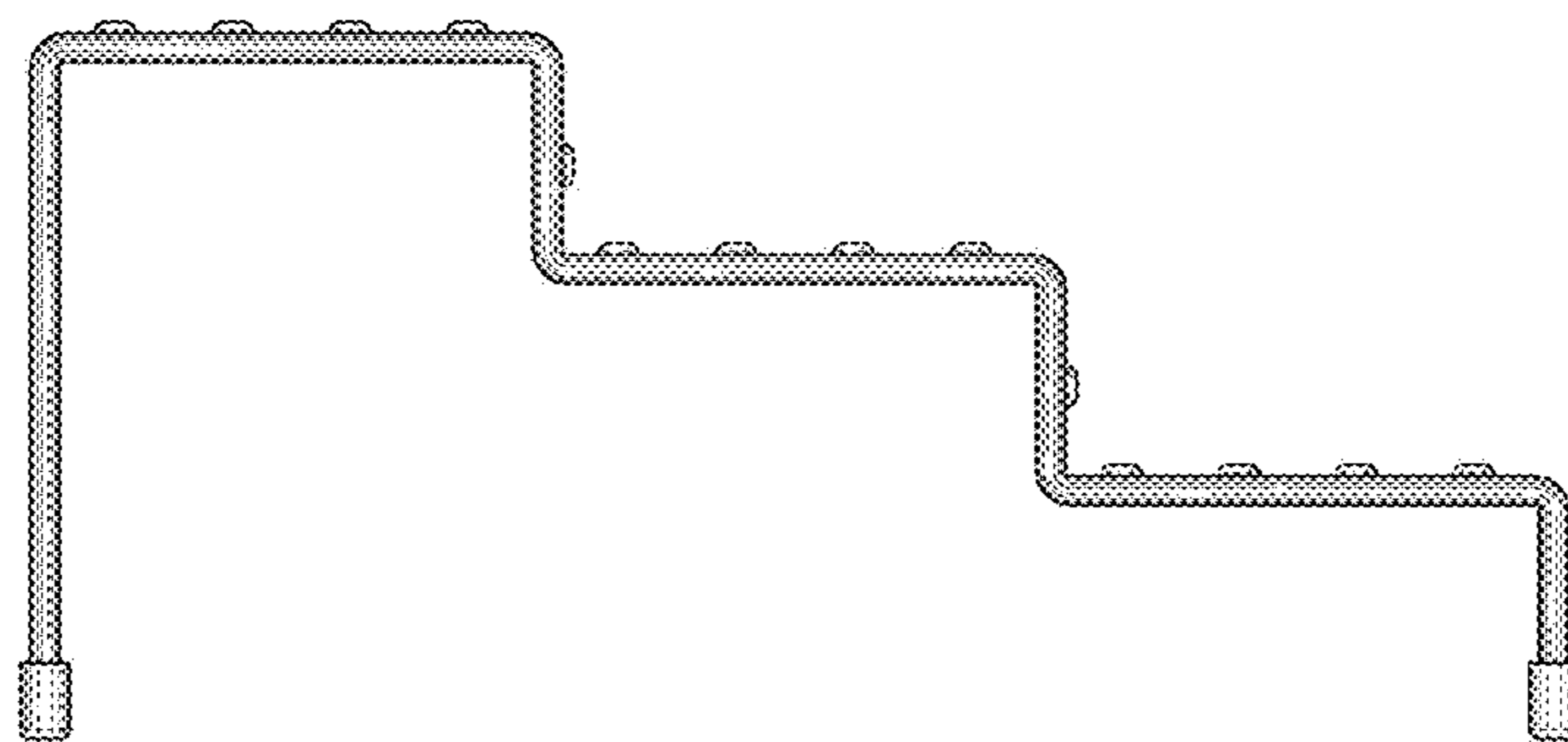


FIG. 6

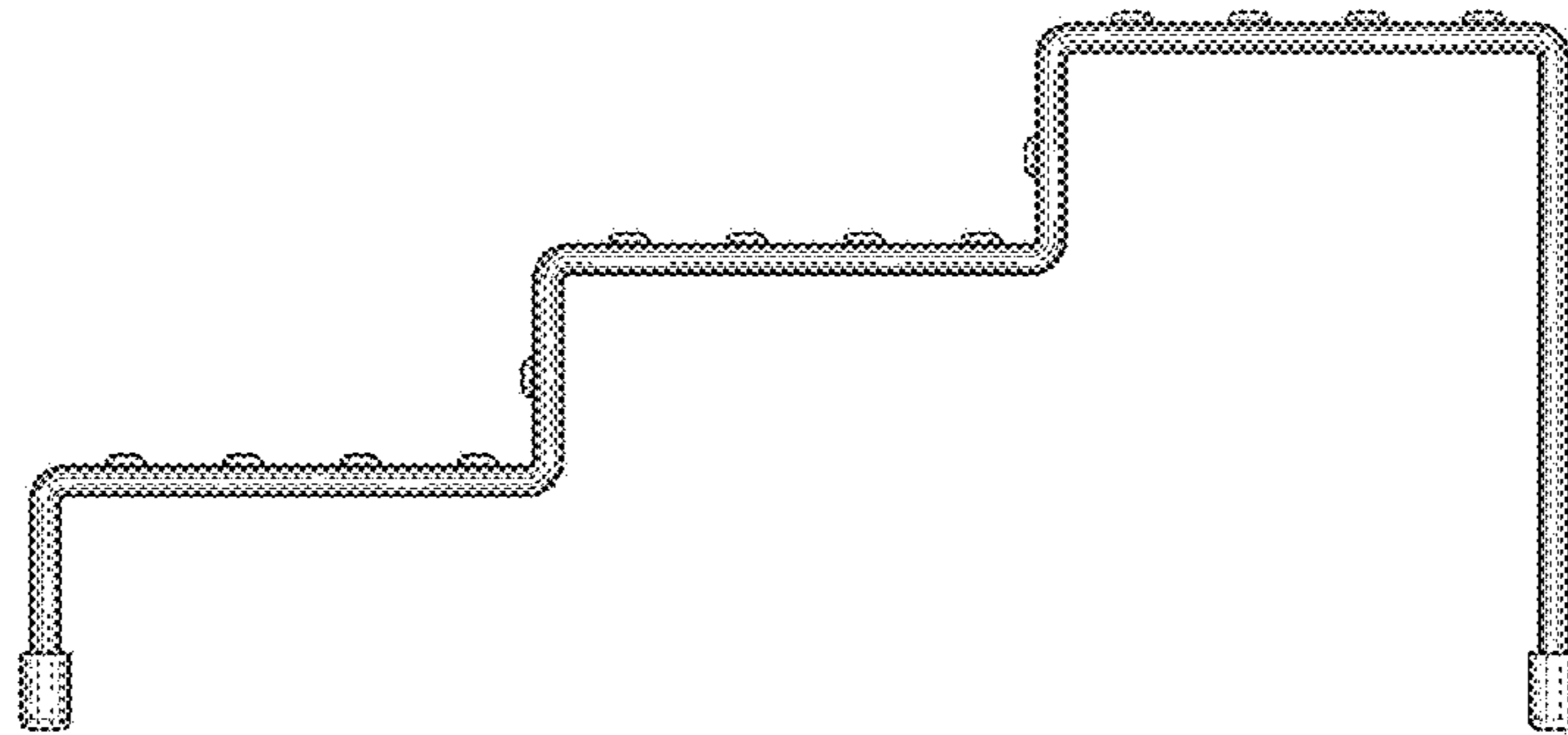


FIG. 7