

US00D968902S

(12) **United States Design Patent**  
**Steur**

(10) **Patent No.:** **US D968,902 S**

(45) **Date of Patent:** **\*\* Nov. 8, 2022**

(54) **FOOD AND BEVERAGE CONTAINER WITH DISPENSING FUNCTION**

(71) Applicant: **Eatcup / Jelte Steur**, Oudehaske (NL)

(72) Inventor: **Jelte Steur**, Oudehaske (NL)

(\*\*) Term: **15 Years**

(21) Appl. No.: **35/512,479**

(22) Filed: **Mar. 3, 2021**

(80) **Hague Agreement Data**

Int. Filing Date: **Mar. 3, 2021**

Int. Reg. No.: **DM/213139**

Int. Reg. Date: **Mar. 3, 2021**

Int. Reg. Pub. Date: **Sep. 3, 2021**

(51) **LOC (13) Cl.** ..... **07-07**

(52) **U.S. Cl.**  
USPC ..... **D7/589**

(58) **Field of Classification Search**  
USPC ..... D7/507, 509–511, 549, 587, 589,  
D7/600–601; D9/719, 730, 733, 503  
CPC ..... A45D 34/00; A45D 34/042; A45D  
2200/055; A45D 34/043; A45D  
2040/0012; B65D 83/0005; B65D 83/32;  
B65D 83/48; B65D 83/0033; B65D  
35/28; B65D 83/00; B65D 83/0027;  
B65D 51/249; B65D 2231/00; B65D  
2575/586; B65D 83/0016; B65D 43/02;  
B65D 47/20

See application file for complete search history.

(56) **References Cited**

**U.S. PATENT DOCUMENTS**

5,813,572 A \* 9/1998 Kolacek ..... B65D 35/565  
222/107  
D570,687 S \* 6/2008 Kelders ..... D9/500  
D744,784 S \* 12/2015 Zachry ..... D7/589

D828,729 S \* 9/2018 Kent ..... D9/503  
D862,172 S \* 10/2019 Lovegrove ..... D7/532  
2011/0049170 A1 \* 3/2011 Wheeler ..... B65D 83/0033  
53/471  
2012/0065608 A1 \* 3/2012 Costello ..... A61J 9/00  
215/11.1  
2015/0374175 A1 \* 12/2015 Garr ..... B01F 33/50111  
366/314  
2016/0288980 A1 \* 10/2016 Vilinsky ..... A47G 19/02  
2018/0014670 A1 \* 1/2018 Chen ..... B65D 83/0005  
2018/0326166 A1 \* 11/2018 Von Schuckmann .....  
A61M 15/0065  
2019/0047752 A1 \* 2/2019 Fisher ..... B65D 35/22

\* cited by examiner

*Primary Examiner* — Lauren R Calve

(57) **CLAIM**

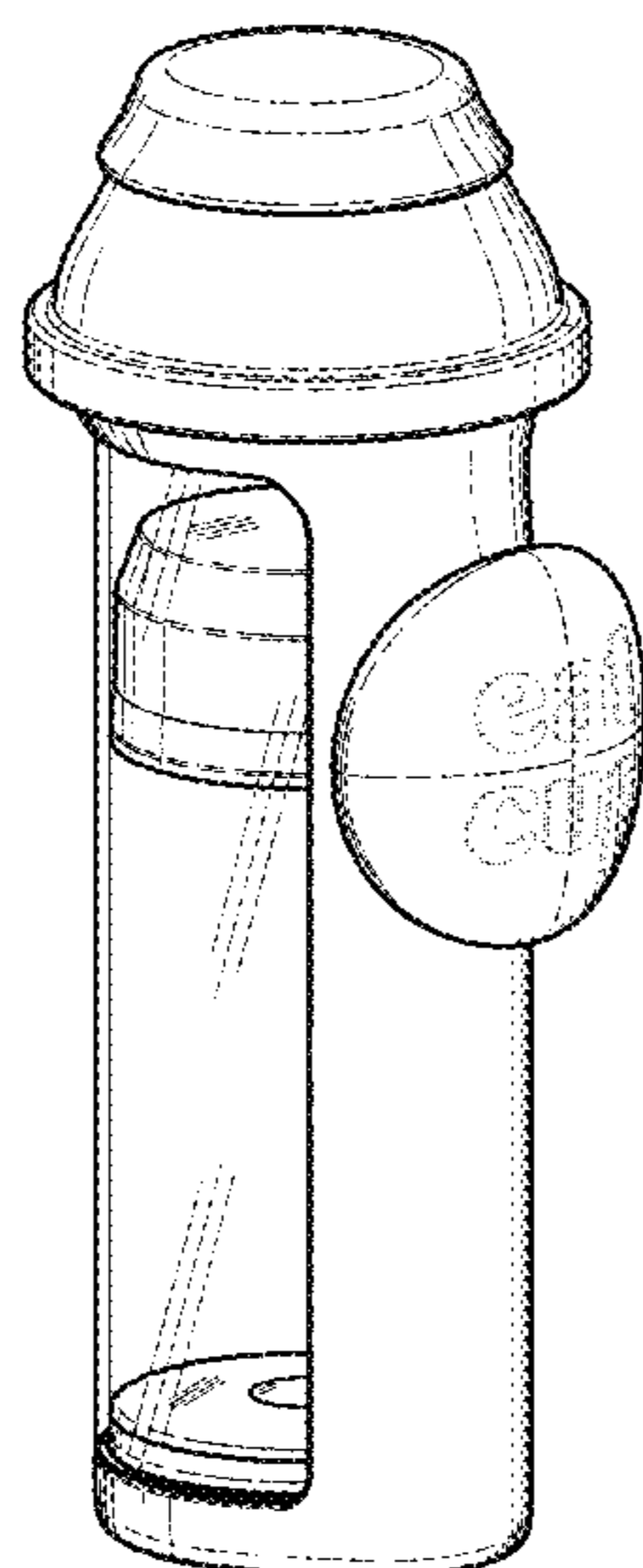
The ornamental design for a food and beverage container with dispensing function, as shown and described.

**DESCRIPTION**

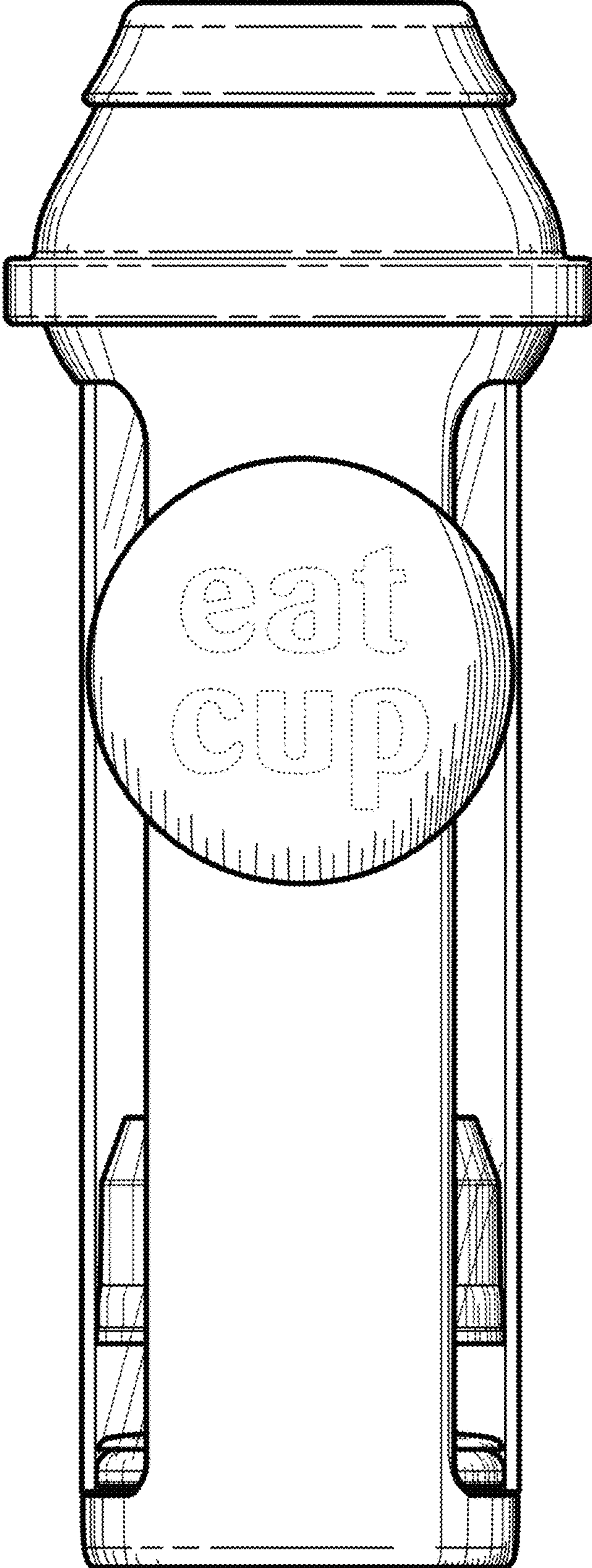
- 1. Food and beverage container with dispensing function
- 1.1 : Front
- 1.2 : Left
- 1.3 : Back
- 1.4 : Top
- 1.5 : Bottom
- 1.6 : Perspective
- 1.7 : Perspective view in alternate position
- 1.8 : Exploded view in a smaller scale

The broken lines shown represent portions of the food and beverage container with dispensing function that form no part of the claimed design; the right side view is not shown because it is a mirror image of the left side view; the irregular dashed lines represent contours, shading, and transparency, and do not illustrate surface ornamentation or decoration; reproduction 1.7 is a perspective view shown in an alternate position; the bracket shown in reproduction 1.8 clarifies that the articles in the exploded view comprise a single inventive claim.

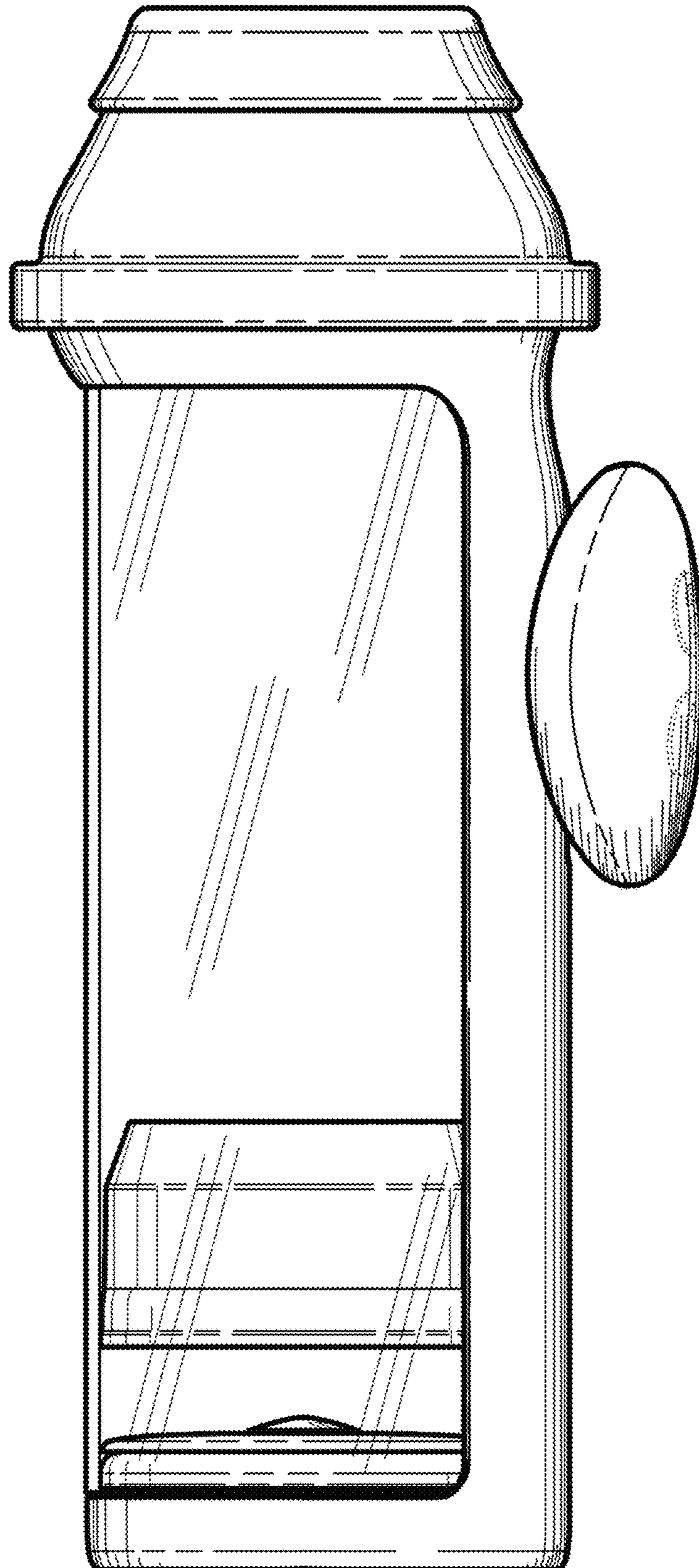
**1 Claim, 8 Drawing Sheets**



1.1

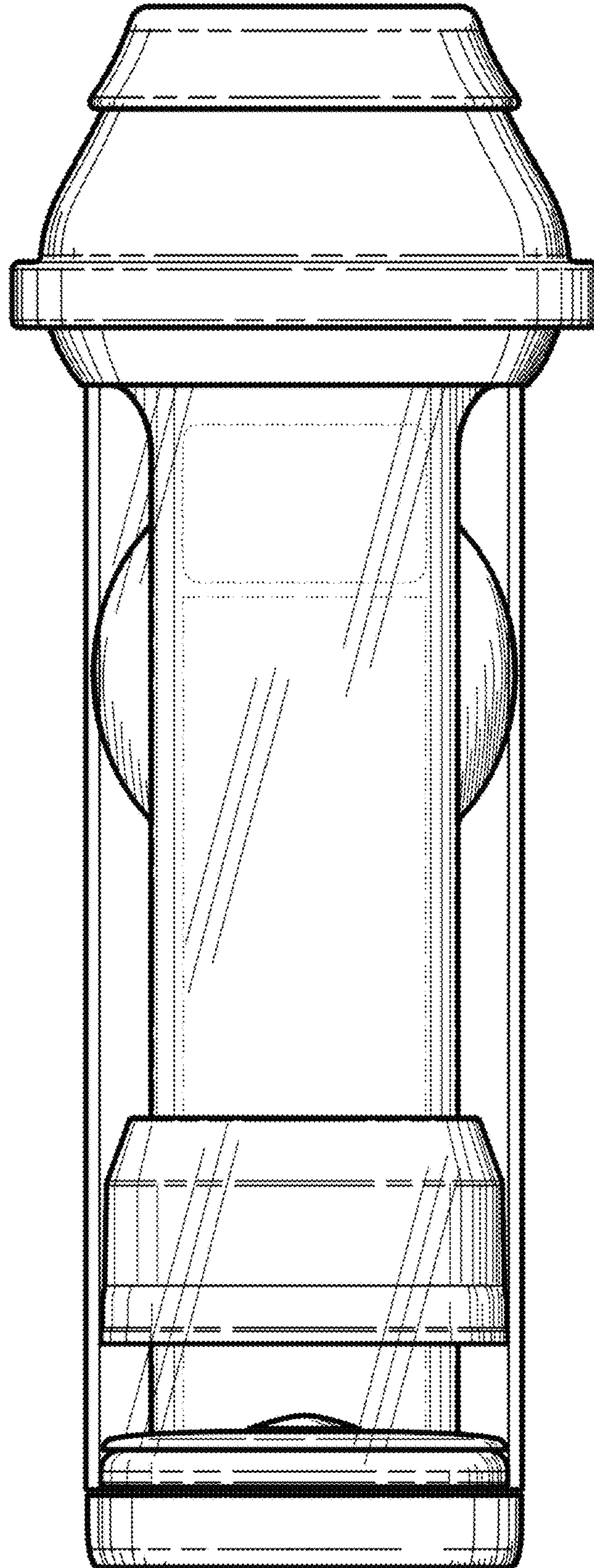


1.2

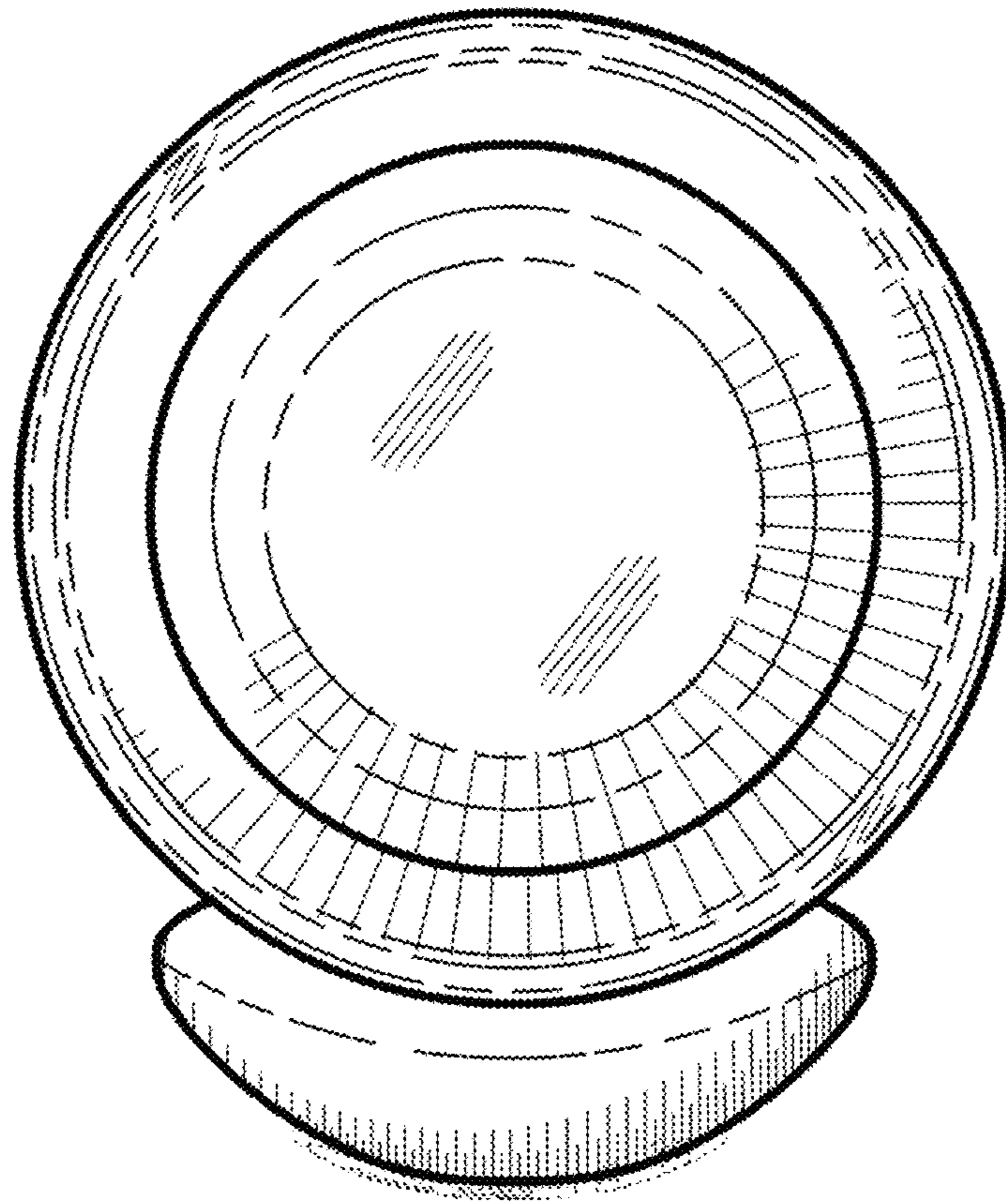




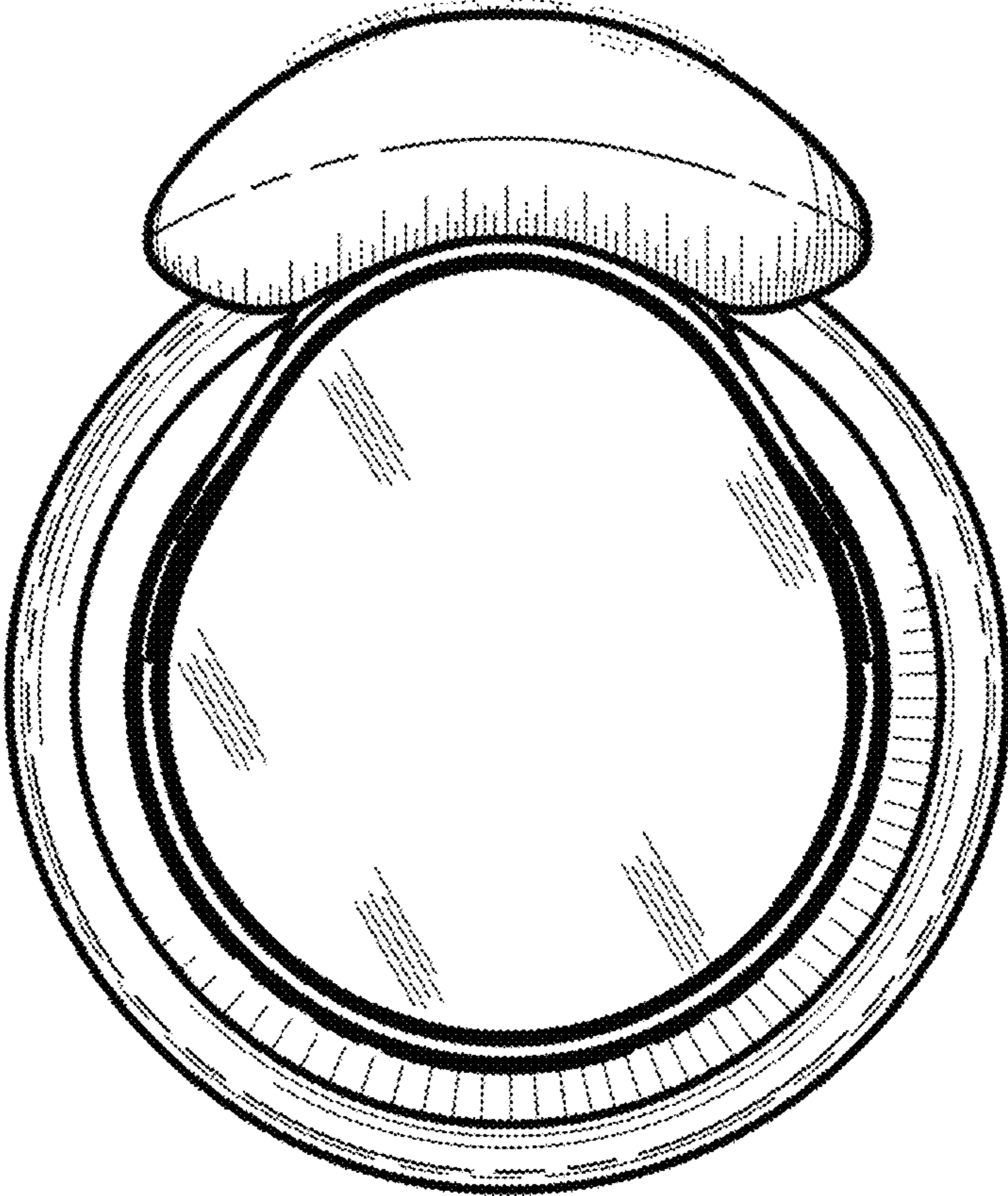
1.3



1.4

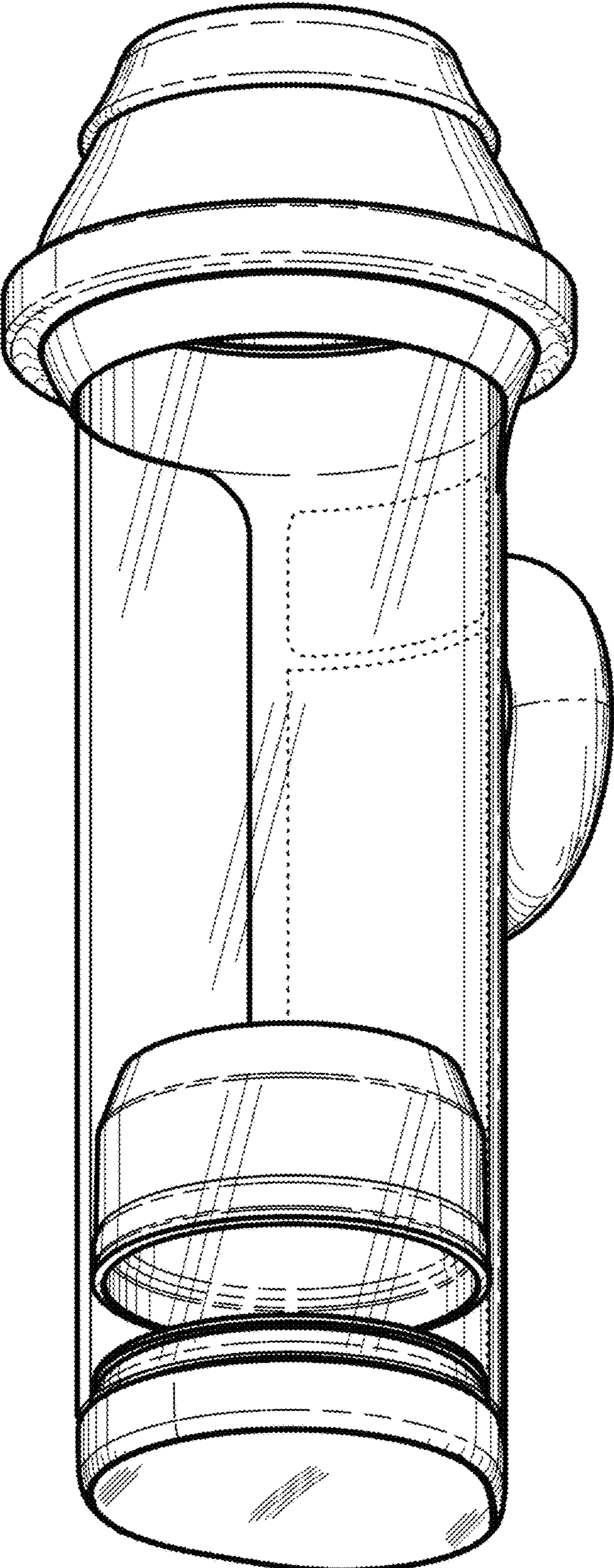


1.5

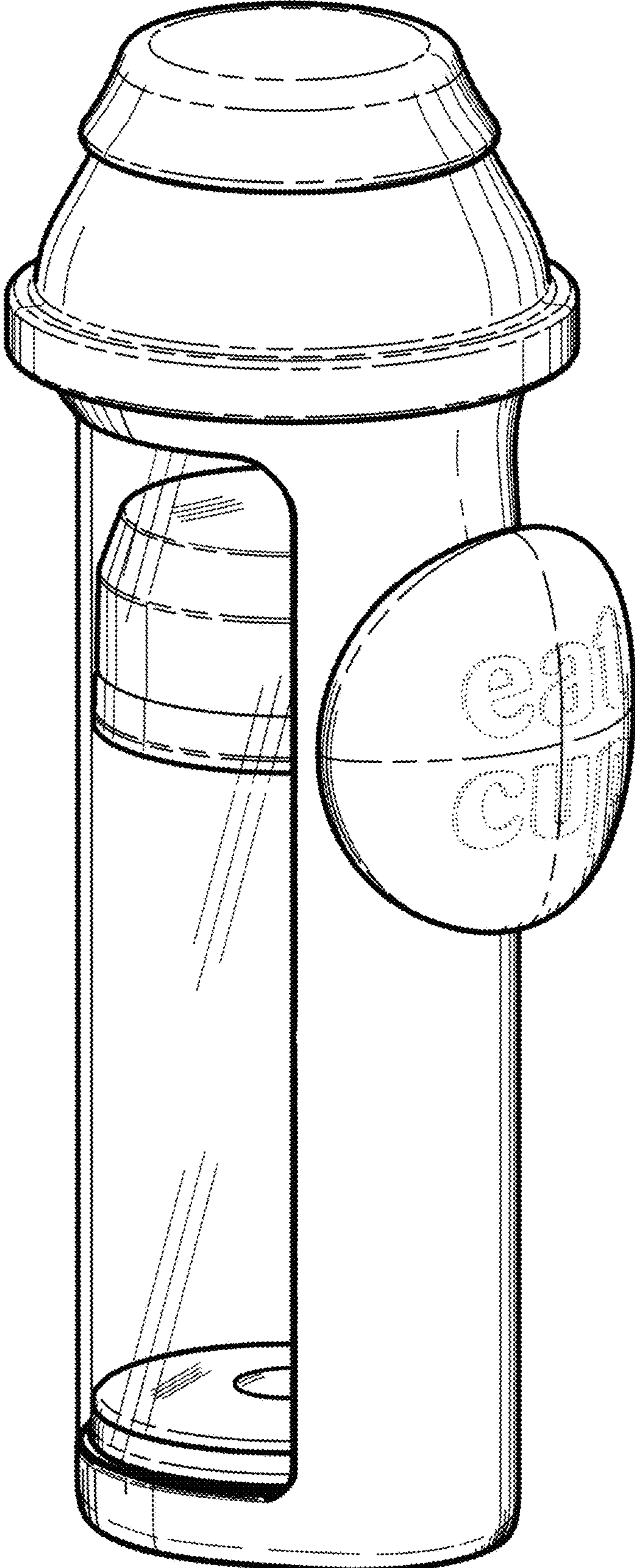




1.6



1.7





1.8

