



US00D968897S

(12) **United States Design Patent**
Zhang

(10) **Patent No.:** **US D968,897 S**
(45) **Date of Patent:** **** Nov. 8, 2022**

- (54) **WATER BOTTLE**
- (71) Applicant: **Yongkang Qiqing Industry and Trade Co., Ltd.**, Jinhua (CN)
- (72) Inventor: **Bo Zhang**, Gongxian (CN)
- (**) Term: **15 Years**
- (21) Appl. No.: **29/802,609**
- (22) Filed: **Aug. 6, 2021**
- (51) **LOC (13) Cl.** **07-01**
- (52) **U.S. Cl.**
USPC **D7/523**; D7/532
- (58) **Field of Classification Search**
USPC D7/507, 509, 510, 511, 523, 531, 532,
D7/608, 392.1, 396.2; D9/500, 501, 502,
D9/558, 547
CPC A47G 19/22; A47G 19/25; A47G 19/2288;
A61J 41/028; A47J 41/0077; A47J 41/02
See application file for complete search history.

D871,144 S *	12/2019	Zhang	D7/510
D883,033 S *	5/2020	Bo	D9/500
D889,206 S *	7/2020	Bo	D7/532
D893,261 S *	8/2020	Lown	D7/396.1
D915,827 S *	4/2021	Fang	D7/510
D923,410 S *	6/2021	Hamilton	D7/509
2020/0207529 A1 *	7/2020	Crampton	B65D 21/0228

OTHER PUBLICATIONS

<https://www.amazon.com/SENDESTAR-Stainless-Tumbler-cupholder-Insulated/dp/B08HNCGR2F> Sep. 8, 2020 (Year: 2020).*

* cited by examiner

Primary Examiner — Jae Liang
(74) *Attorney, Agent, or Firm* — Rumit Ranjit Kanakia

(57) **CLAIM**

The ornamental design for a water bottle, as shown and described.

DESCRIPTION

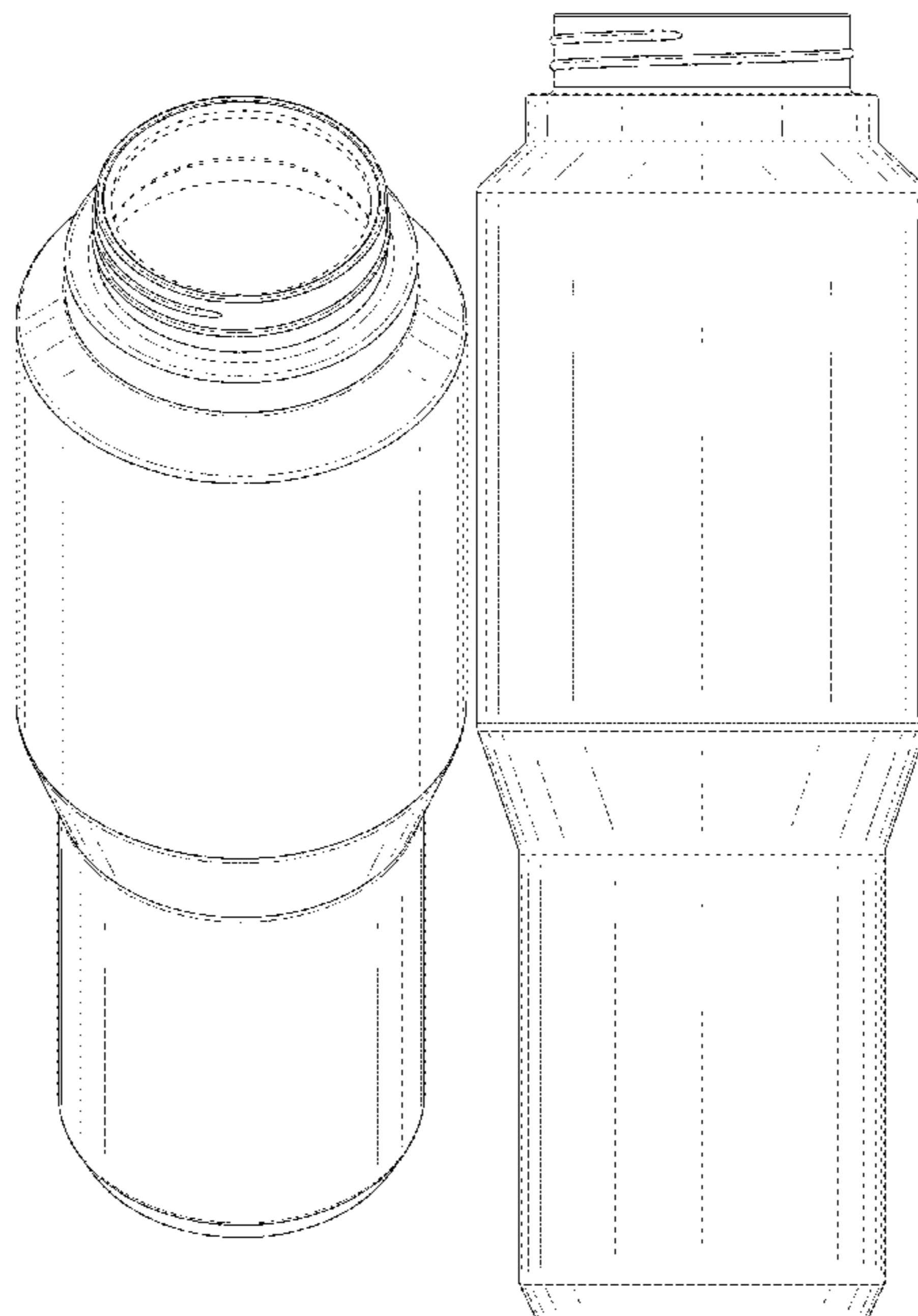
FIG. 1 is a perspective view of a water bottle showing my new design;
FIG. 2 is a front view thereof;
FIG. 3 is a back view thereof;
FIG. 4 is a left-side view thereof;
FIG. 5 is a right-side view thereof;
FIG. 6 is a top view thereof;
FIG. 7 is a bottom view thereof; and,
FIG. 8 is an exploded perspective view of the water bottle shown along with a flip lid.
The broken lines in the drawings depict portions of the water bottle that form no part of the claimed design.

1 Claim, 8 Drawing Sheets

(56) **References Cited**

U.S. PATENT DOCUMENTS

D561,590 S *	2/2008	Kingsley	D7/509
D565,901 S *	4/2008	Edelstein	D7/510
D660,082 S *	5/2012	Wahl	D7/510
D675,063 S *	1/2013	Wahl	D7/510
D700,517 S	3/2014	Oommen et al.		
D742,699 S	11/2015	Boroski		
D757,556 S	5/2016	Lesueur		
D784,763 S	4/2017	Oshana		
D805,902 S	12/2017	Warner et al.		
D809,868 S *	2/2018	Eyal	D7/396.2
D821,151 S *	6/2018	Lapsker	D7/511
D827,377 S	9/2018	Silsby et al.		
D830,127 S *	10/2018	Rohe	D7/510
D833,817 S *	11/2018	Sletten	D7/532
D836,982 S *	1/2019	Diener	D7/509



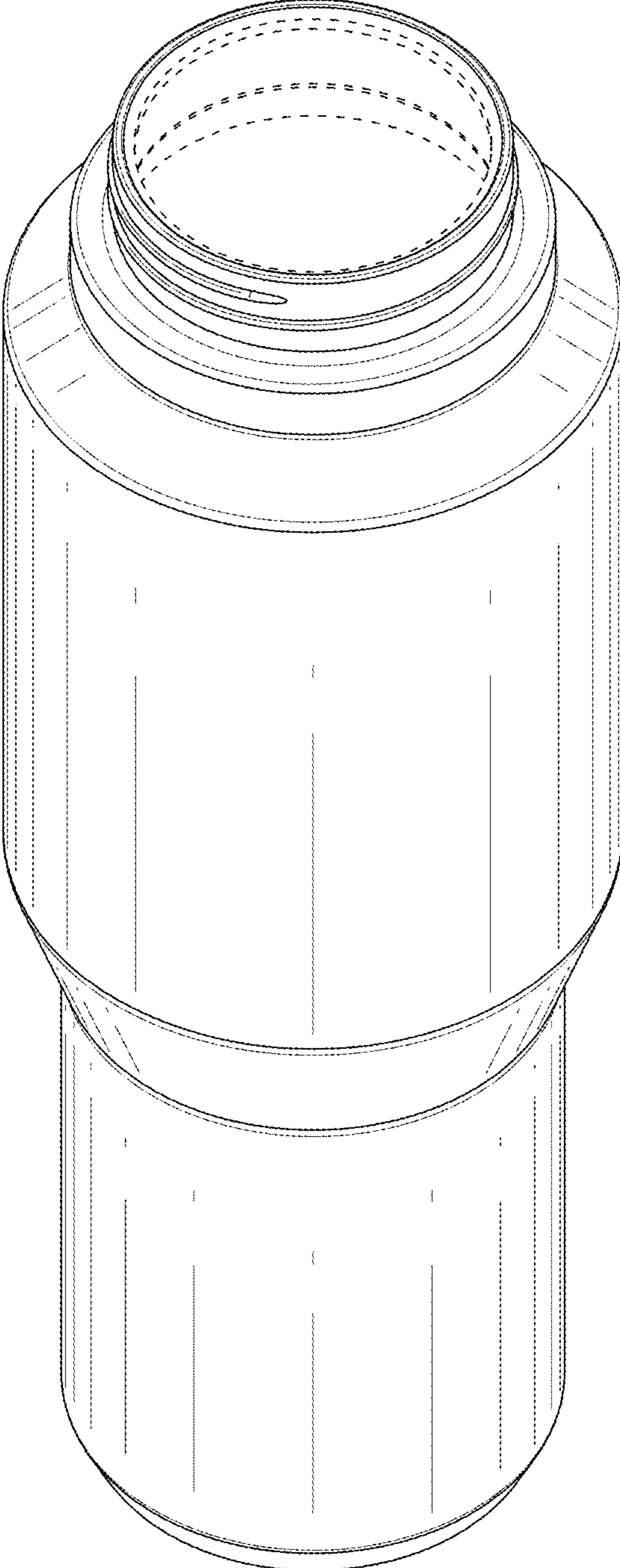


FIG. 1

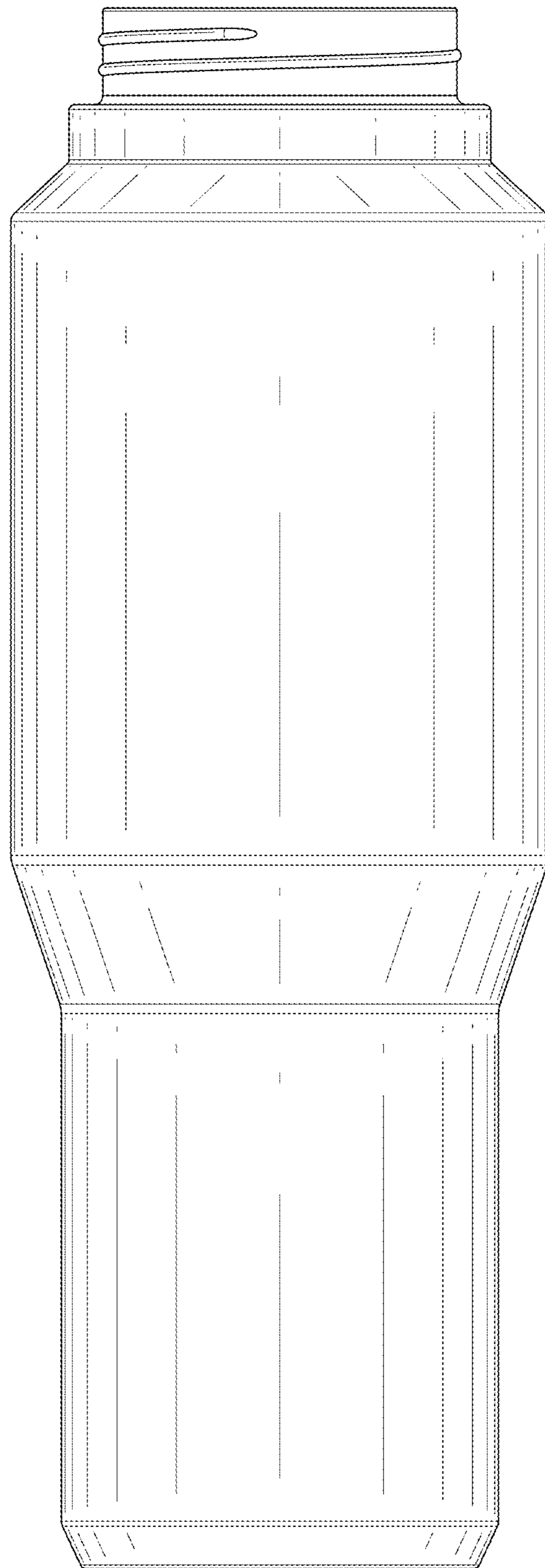


FIG. 2

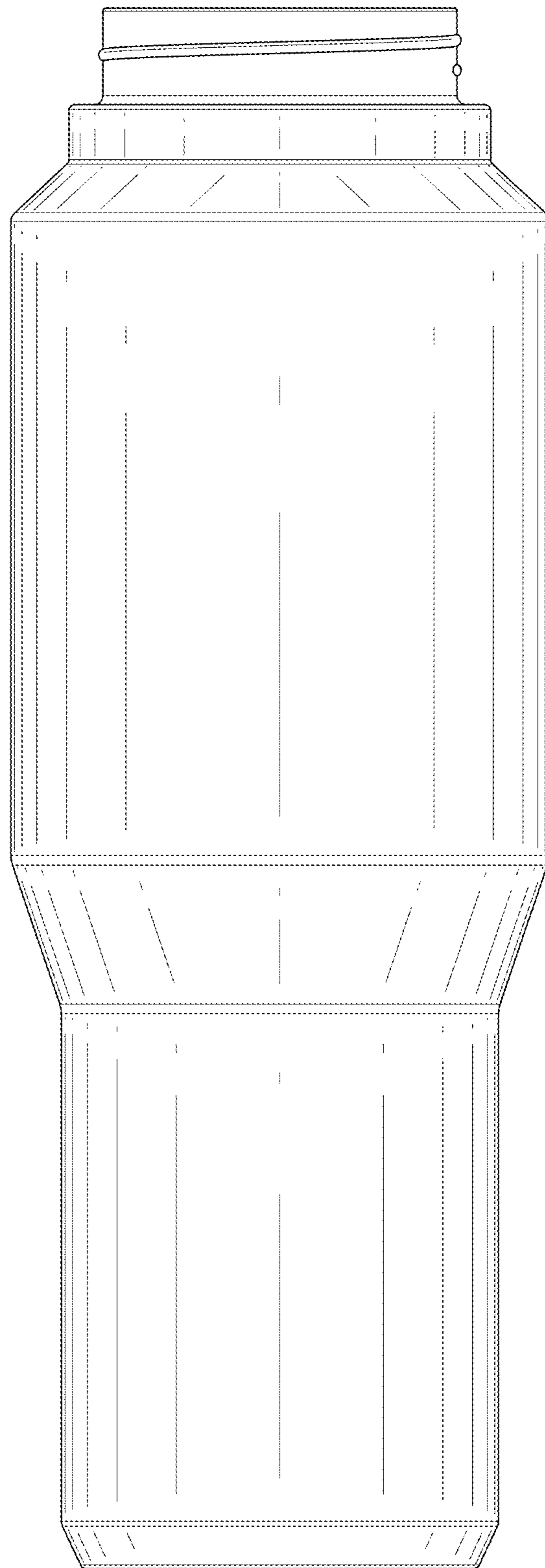


FIG. 3

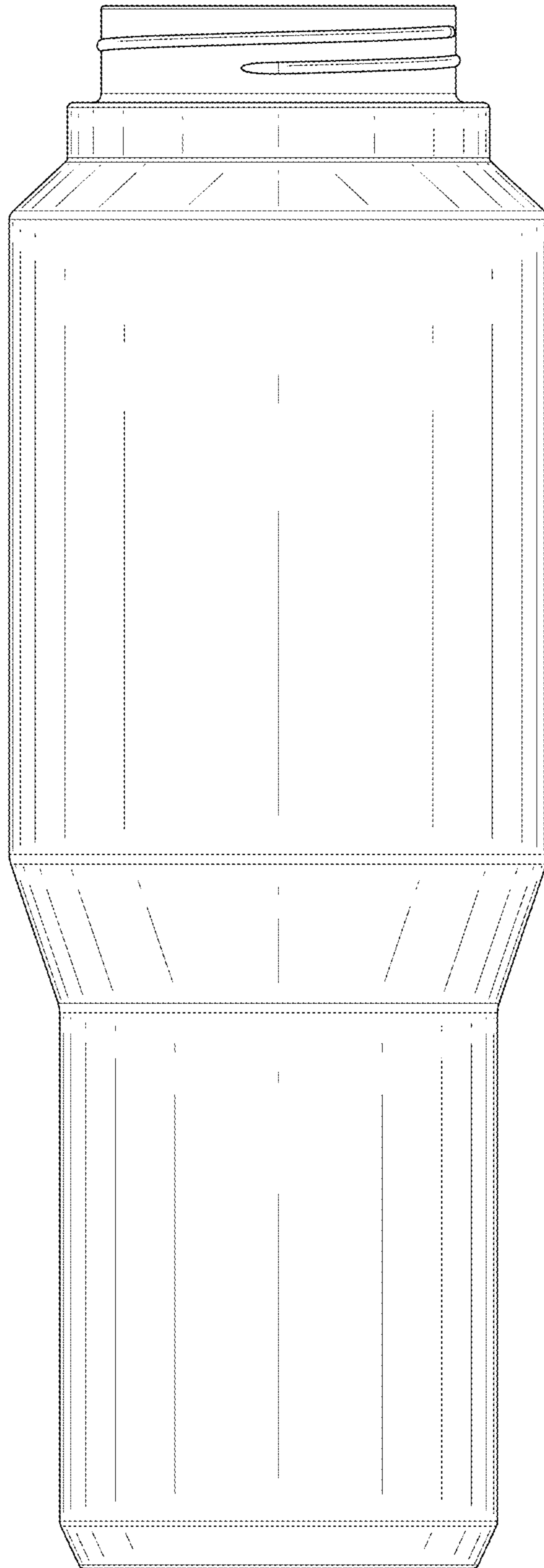


FIG. 4

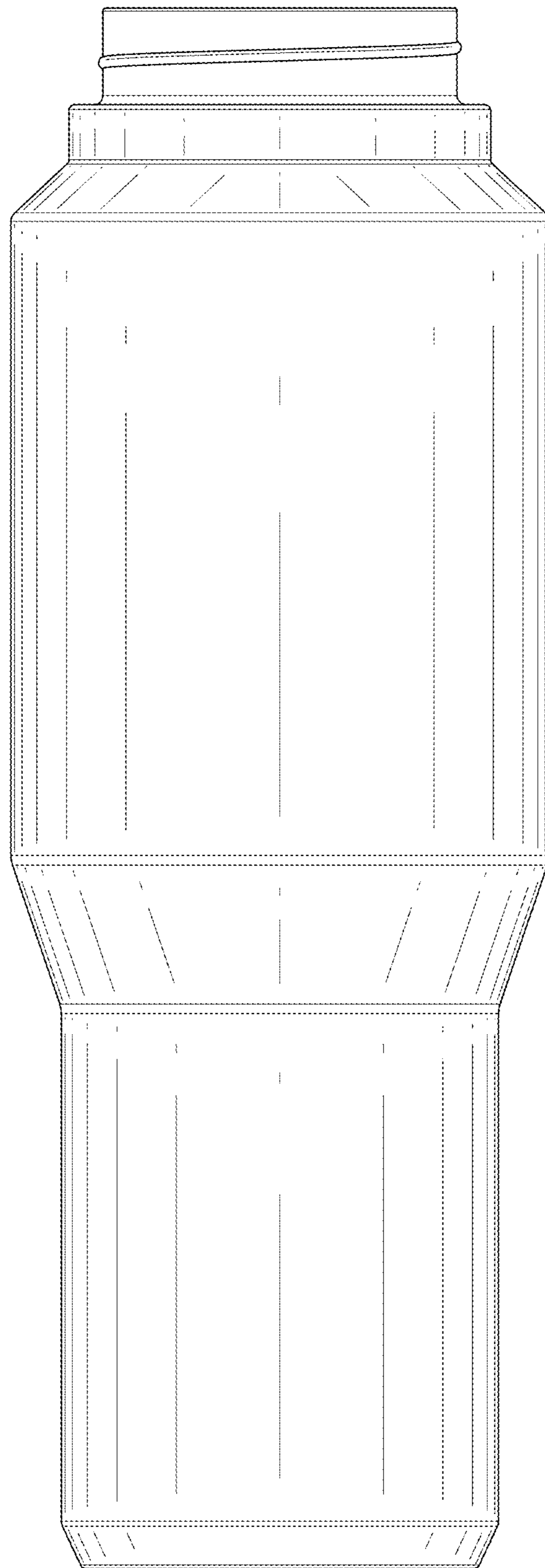


FIG. 5

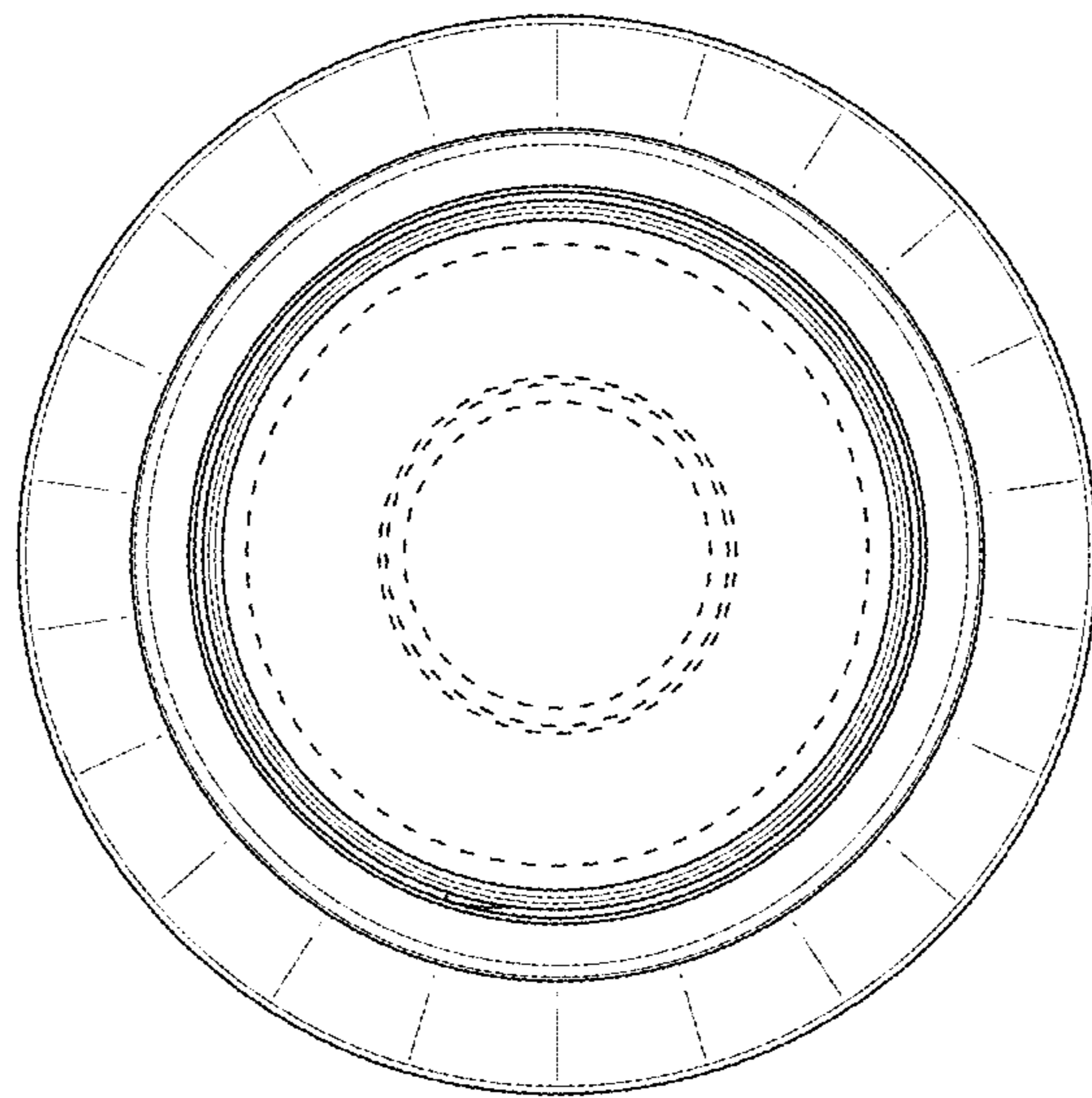


FIG. 6

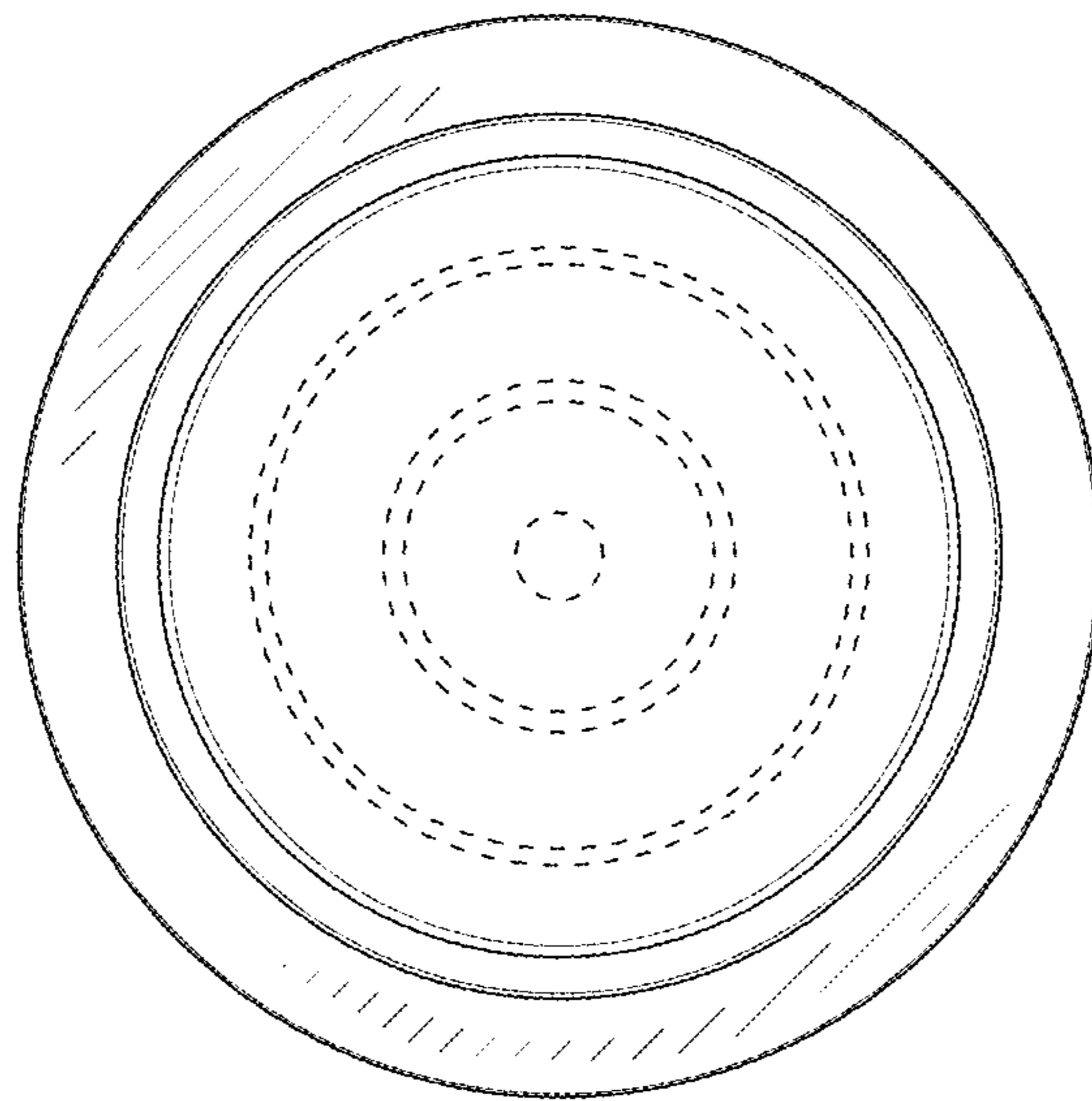


FIG. 7

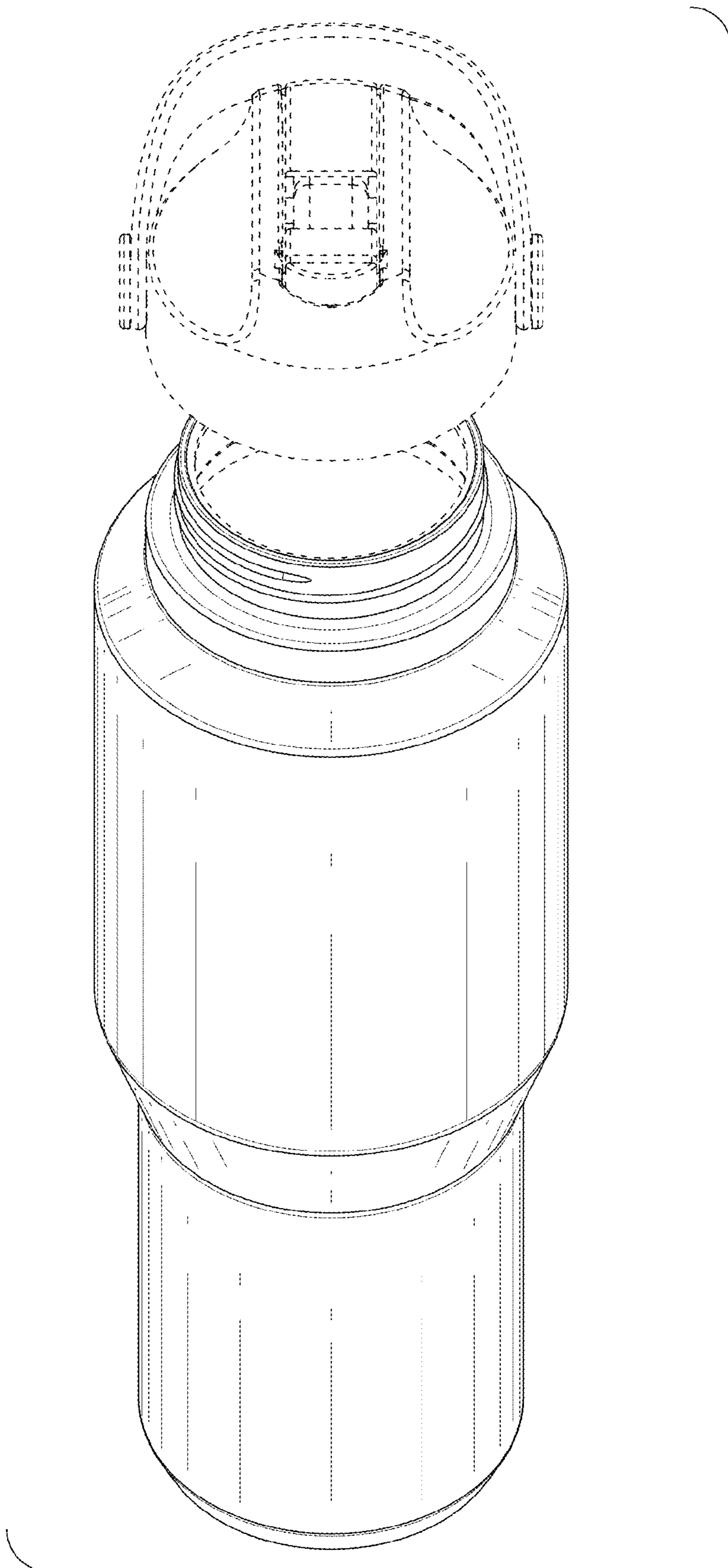


FIG. 8