



US00D968895S

(12) **United States Design Patent** (10) **Patent No.:** **US D968,895 S**
Jacob (45) **Date of Patent:** **** *Nov. 8, 2022**

(54) **BEVERAGE CONTAINER WITH LID**
(71) Applicant: **BruMate, Inc.**, Dover, DE (US)
(72) Inventor: **Dylan M. Jacob**, Denver, CO (US)
(73) Assignee: **BruMate, INC.**, Denver, CO (US)
(*) Notice: This patent is subject to a terminal disclaimer.
(**) Term: **15 Years**
(21) Appl. No.: **29/766,605**

D834,376 S * 11/2018 Melanson D7/624.2
D836,395 S * 12/2018 Seiders D7/532
D836,396 S * 12/2018 Melanson D7/532
D844,382 S * 4/2019 Seiders D7/532
D858,202 S * 9/2019 Hewitt D7/532
D893,950 S * 8/2020 Bo D7/510
D902,657 S * 11/2020 Bohman D7/532
D904,118 S * 12/2020 Jacob D7/532
D904,119 S * 12/2020 Jacob D7/532
D904,122 S * 12/2020 Bohman D7/531
D915,143 S * 4/2021 Wang D7/510
D924,632 S * 7/2021 Hamilton D7/510
D939,280 S * 12/2021 Vierck D7/510
D939,282 S * 12/2021 Delgado Carmona D7/510
D941,091 S * 1/2022 Delgado Carmona D7/510

* cited by examiner

(22) Filed: **Jan. 15, 2021**
(51) **LOC (13) Cl.** **07-01**
(52) **U.S. Cl.**
USPC **D7/510**
(58) **Field of Classification Search**
USPC D7/300, 313, 316, 507, 509, 510, 511,
D7/523, 529, 531, 532, 533, 536, 602,
D7/605, 608, 614, 619.1, 622
CPC A45F 2200/0583; A47G 19/2205; A47G
19/2272; A47G 19/2288; A47G 19/23;
A47G 23/16; A47J 41/00; A47J 43/00;
A47J 47/00; A47J 47/02; A47J 47/08;
B65D 1/265; B65D 3/22; B65D 81/3865;
B65D 81/3453
See application file for complete search history.

Primary Examiner — Joseph Kukella
Assistant Examiner — Darryl J Dardenne
(74) *Attorney, Agent, or Firm* — Shook, Hardy & Bacon
L.L.P.

(57) **CLAIM**

The ornamental design for a beverage container with lid, as shown and described.

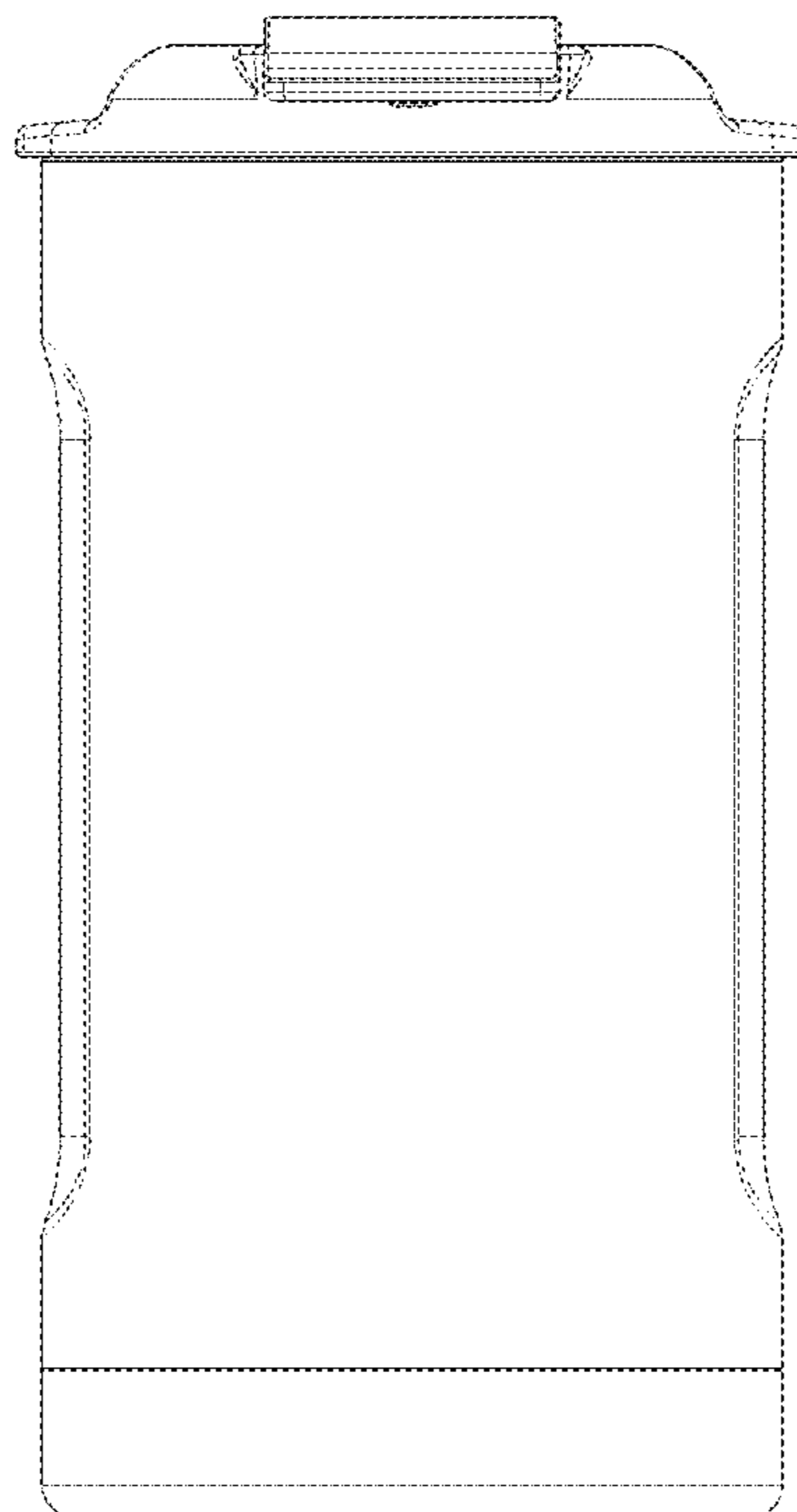
DESCRIPTION

FIG. 1 is a front view of a beverage container with lid showing our new design;
FIG. 2 is a rear view thereof;
FIG. 3 is a left side view thereof;
FIG. 4 is a right side view thereof;
FIG. 5 is a top view thereof;
FIG. 6 is a bottom view thereof; and,
FIG. 7 is a perspective view thereof.

(56) **References Cited**
U.S. PATENT DOCUMENTS

D730,694 S * 6/2015 Elsaden D7/511
D754,483 S * 4/2016 Elsaden D7/531

1 Claim, 6 Drawing Sheets



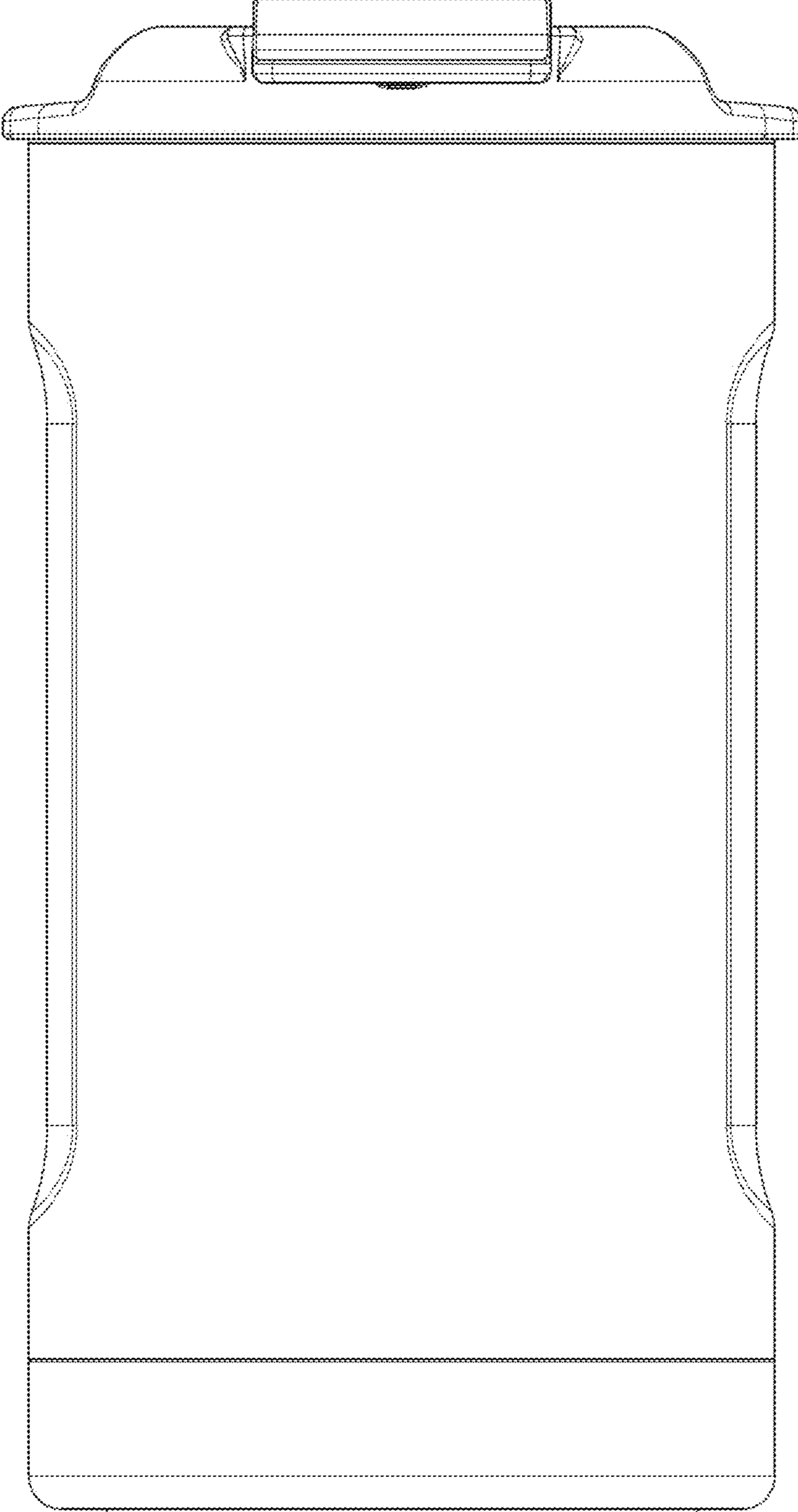


FIG. 1

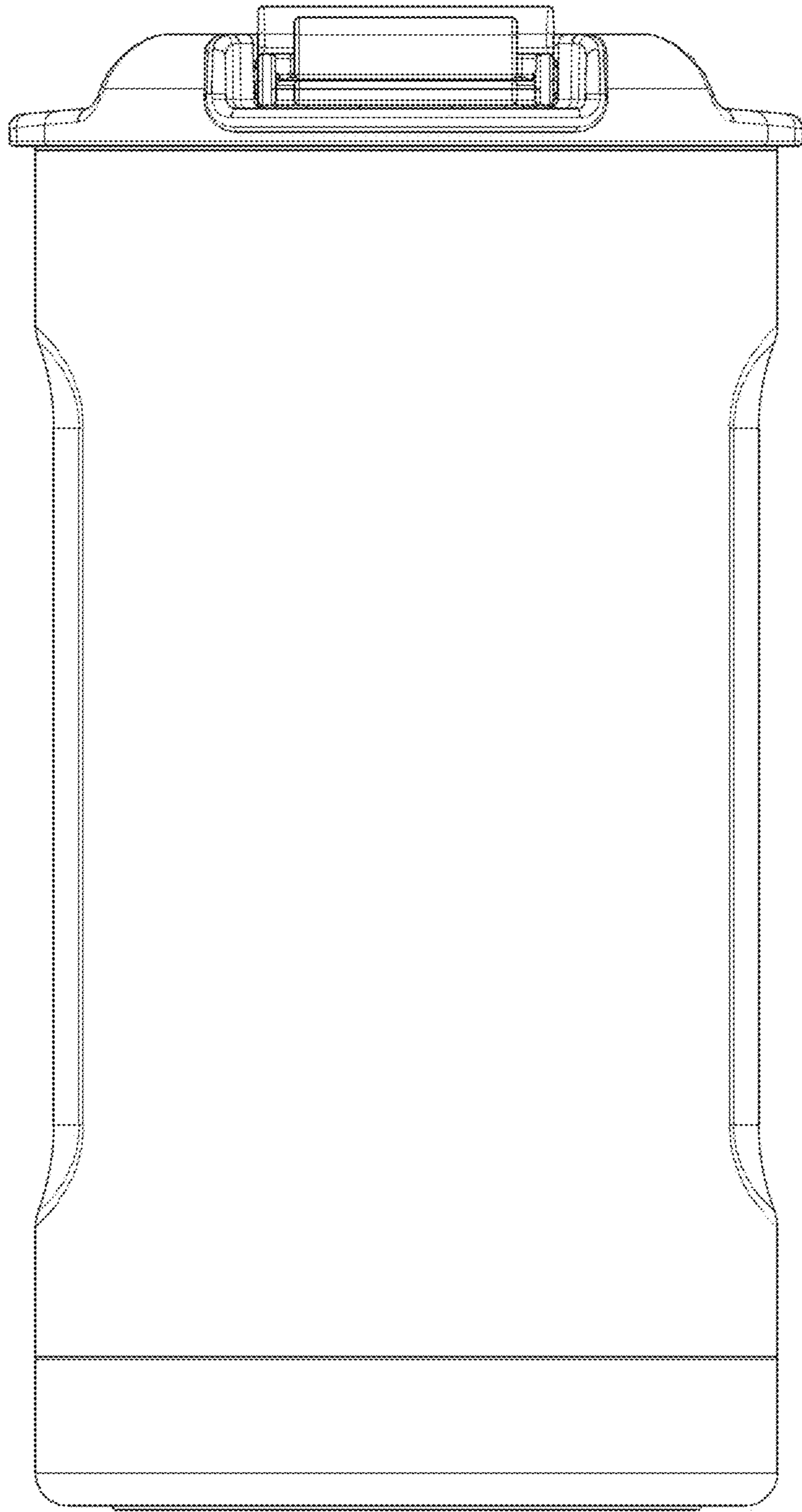


FIG. 2

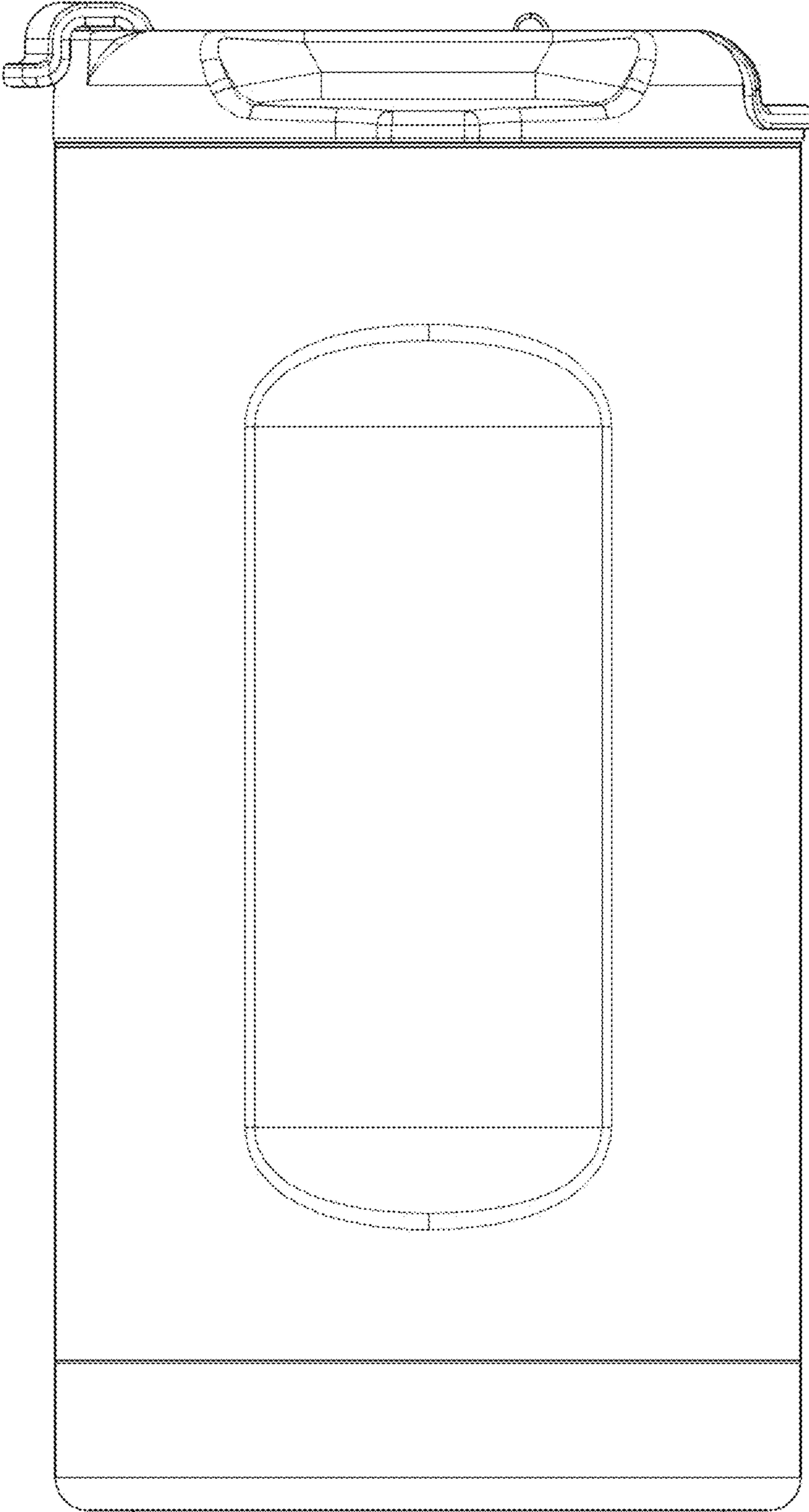


FIG. 3

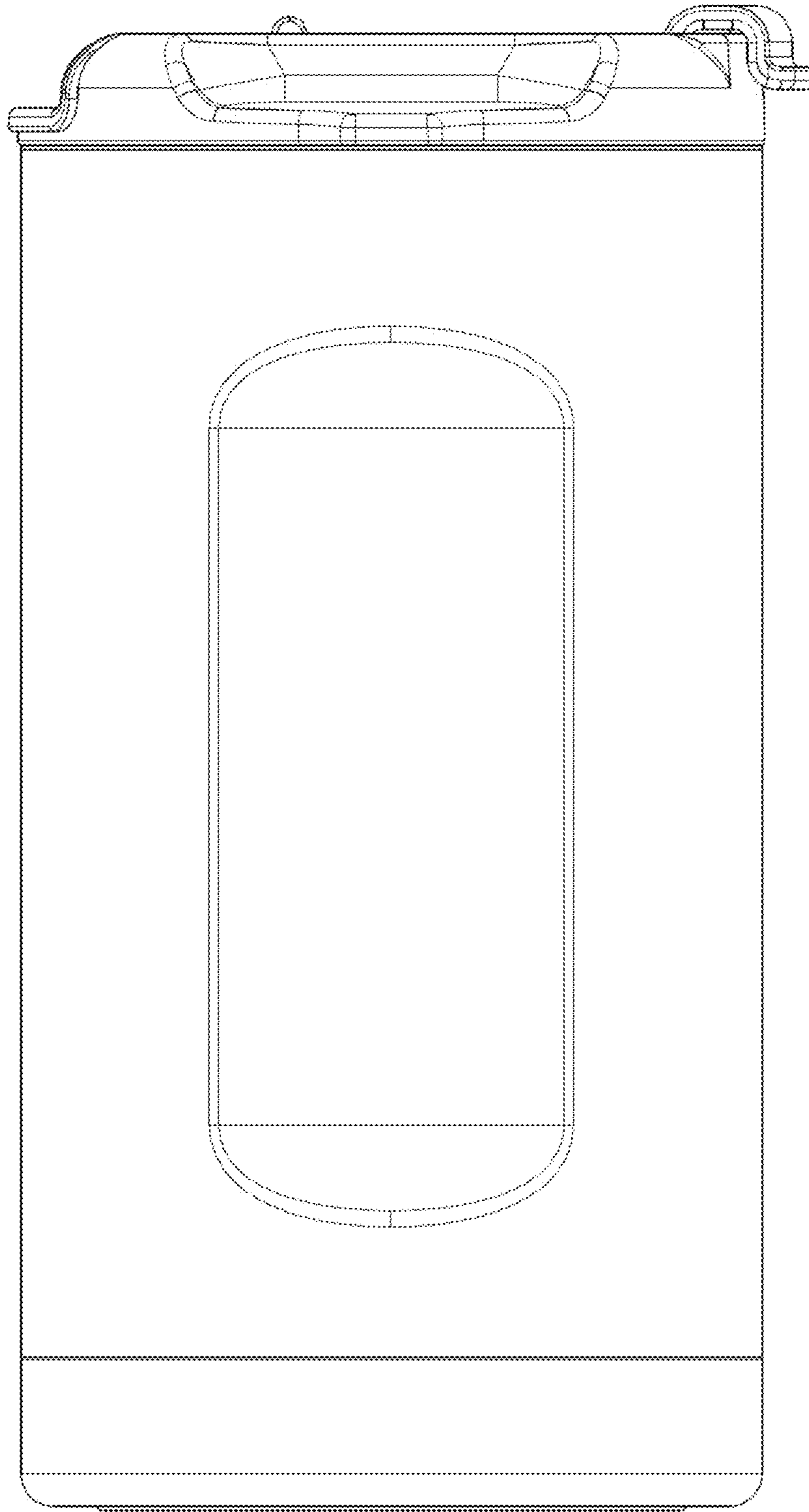


FIG. 4

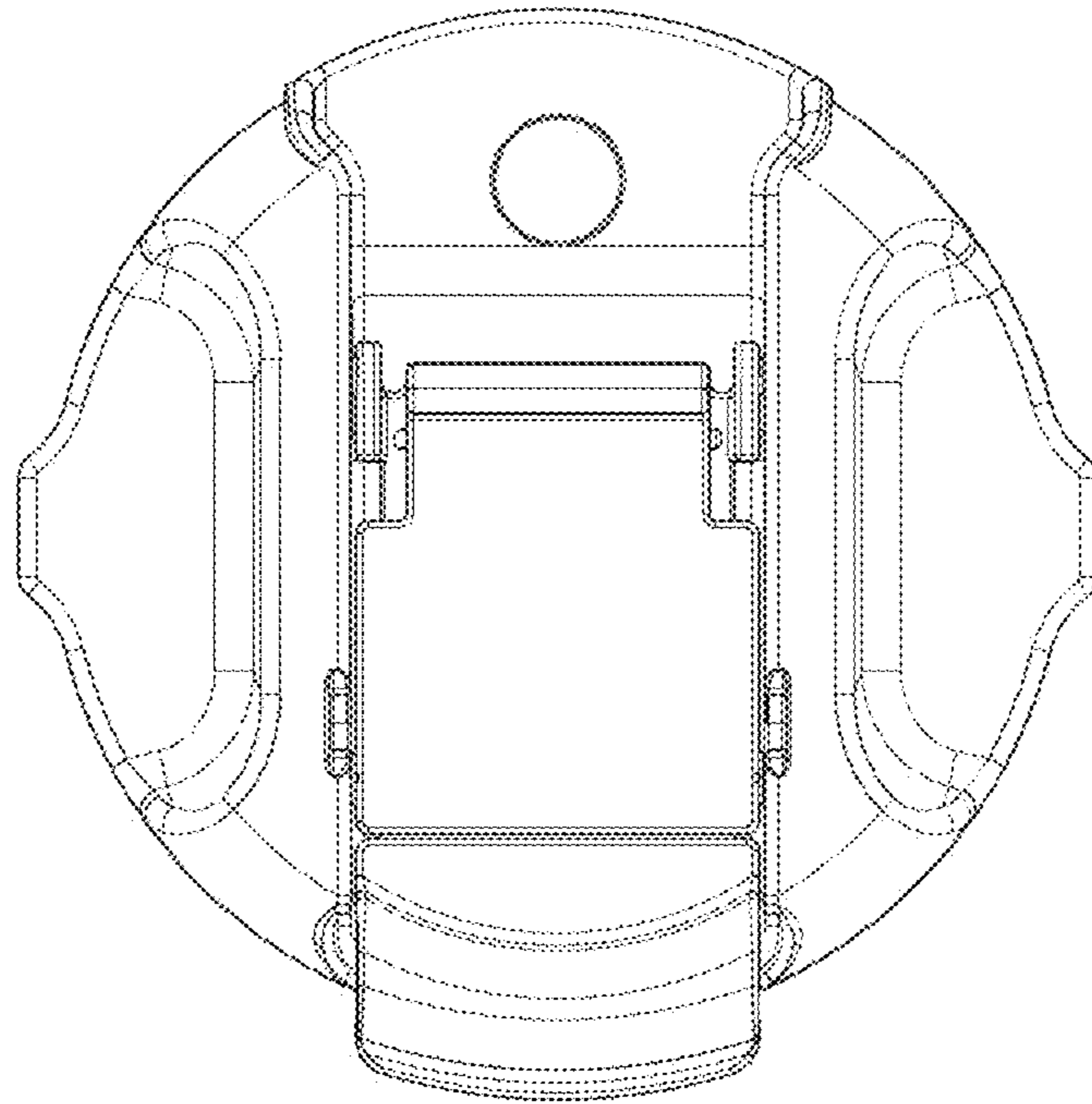


FIG. 5

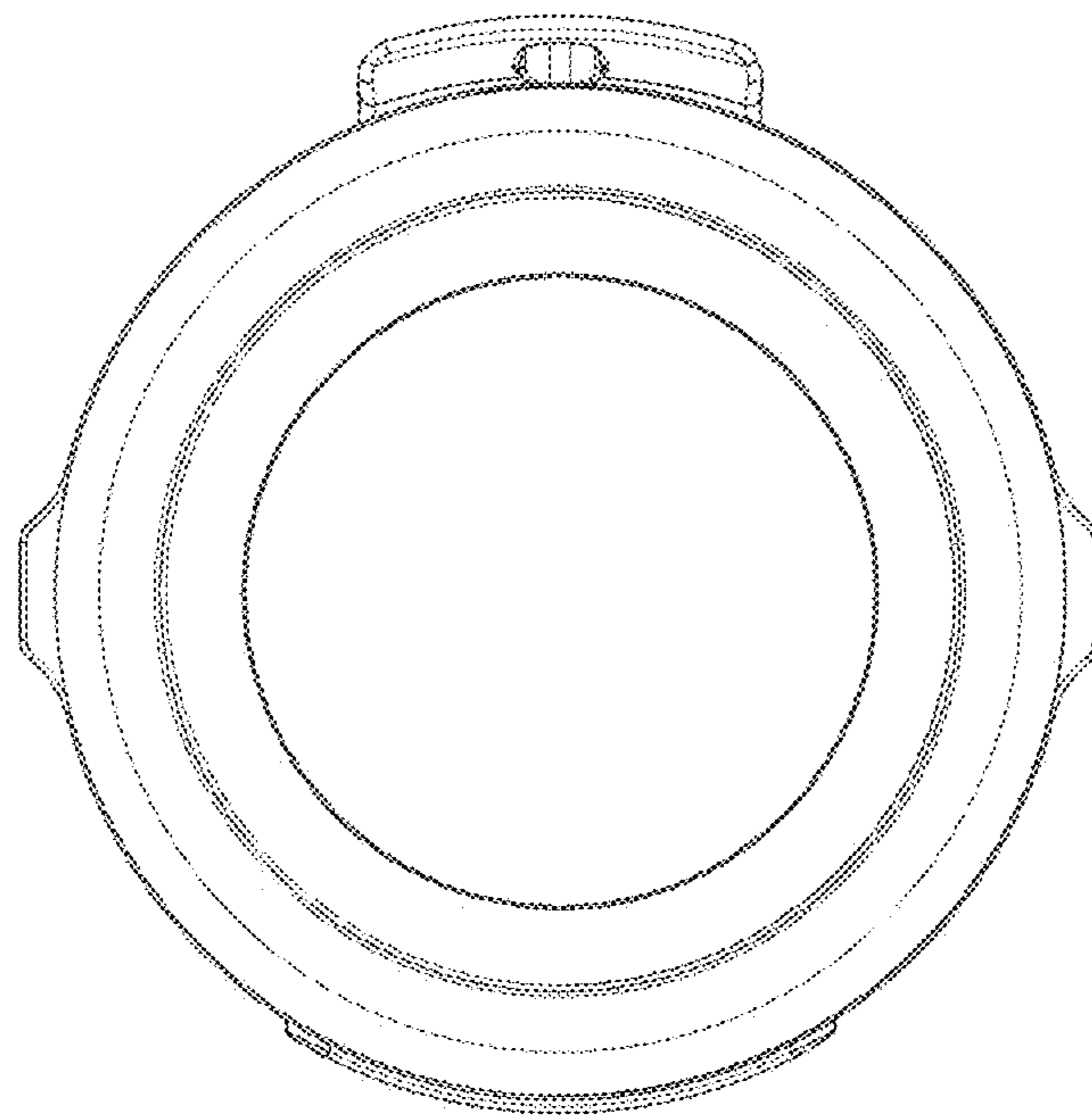


FIG. 6

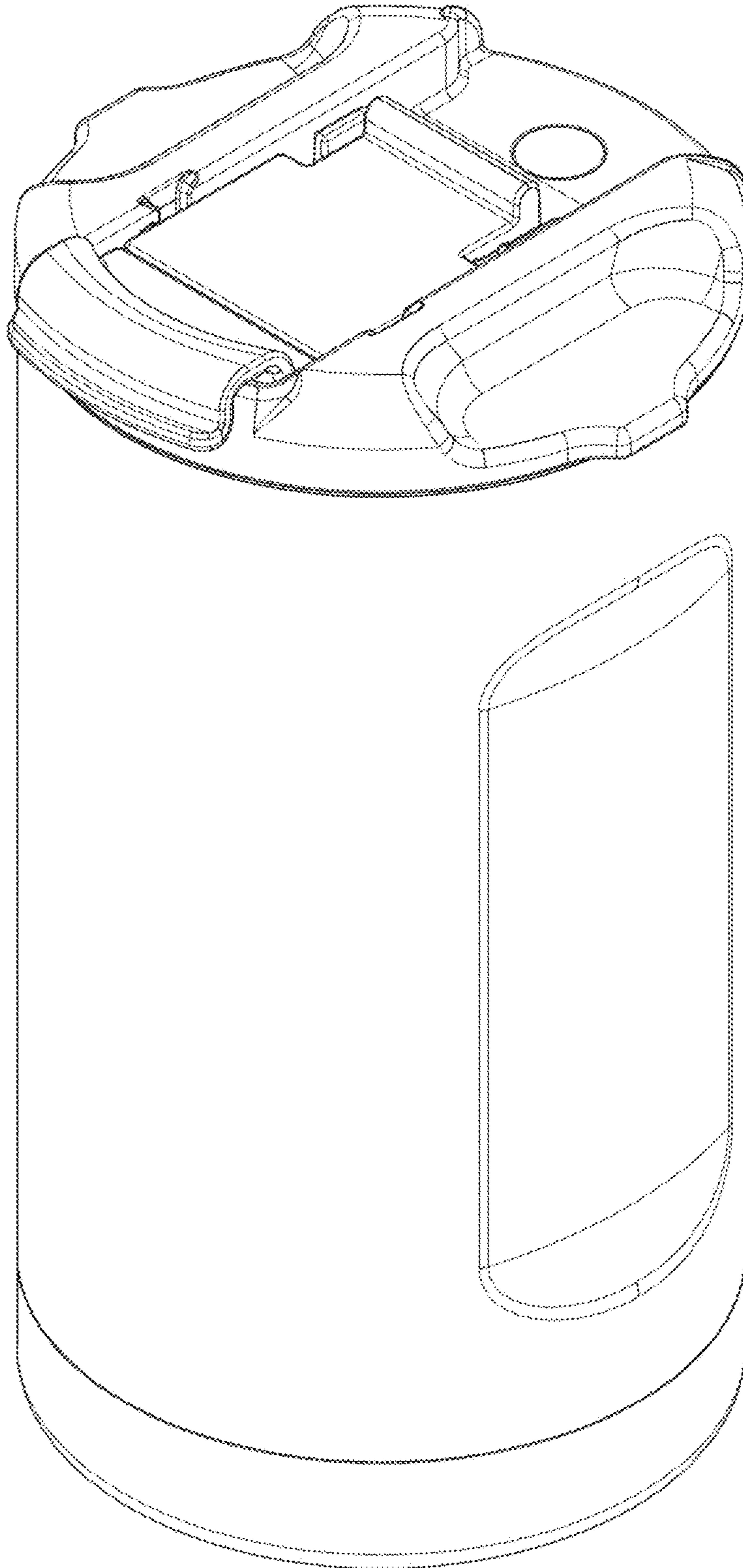


FIG. 7