

US00D968893S

(12) **United States Design Patent**
Whitmore et al.

(10) **Patent No.:** **US D968,893 S**
(45) **Date of Patent:** **** Nov. 8, 2022**

(54) **TAPERED CUP**

(71) Applicant: **BALL CORPORATION**, Broomfield, CO (US)

(72) Inventors: **Jonathan A. Whitmore**, Denver, CO (US); **Mark A. Jacober**, Arvada, CO (US); **Anthony J. Scott**, Westminster, CO (US)

(73) Assignee: **BALL CORPORATION**, Westminster, CO (US)

(**) Term: **15 Years**

(21) Appl. No.: **29/695,988**

(22) Filed: **Jun. 24, 2019**

(51) **LOC (13) Cl.** **07-01**

(52) **U.S. Cl.**
USPC **D7/509; D7/523**

(58) **Field of Classification Search**
USPC D7/300, 300.2, 301, 305, 392, 392.1, D7/393, 396.2, 396.3, 398, 401.1, 413, D7/501-505, 507, 509-516, 519, 520, D7/522-525, 528, 529, 531, 532, 536, D7/537, 608, 619.2, 620, 623, 624.1, D7/624.2, 624.3, 635, 636, 700, 900; D9/436, 447, 455, 500, 516, 527, 533, D9/539, 549, 566, 575; D23/262, 263; D24/197, 224
CPC A47G 19/22; A47G 19/2205; A47G 19/2211; A47G 19/2222; A47G 19/2227; A47G 19/2266; A47G 19/2272; A47G 19/2288; A47G 21/18; A47G 21/184; A47G 21/185; A47G 23/0216; A47G 23/0241; A47J 41/0088; A47J 43/042; B65D 1/265; B65D 51/245; B65D 51/28

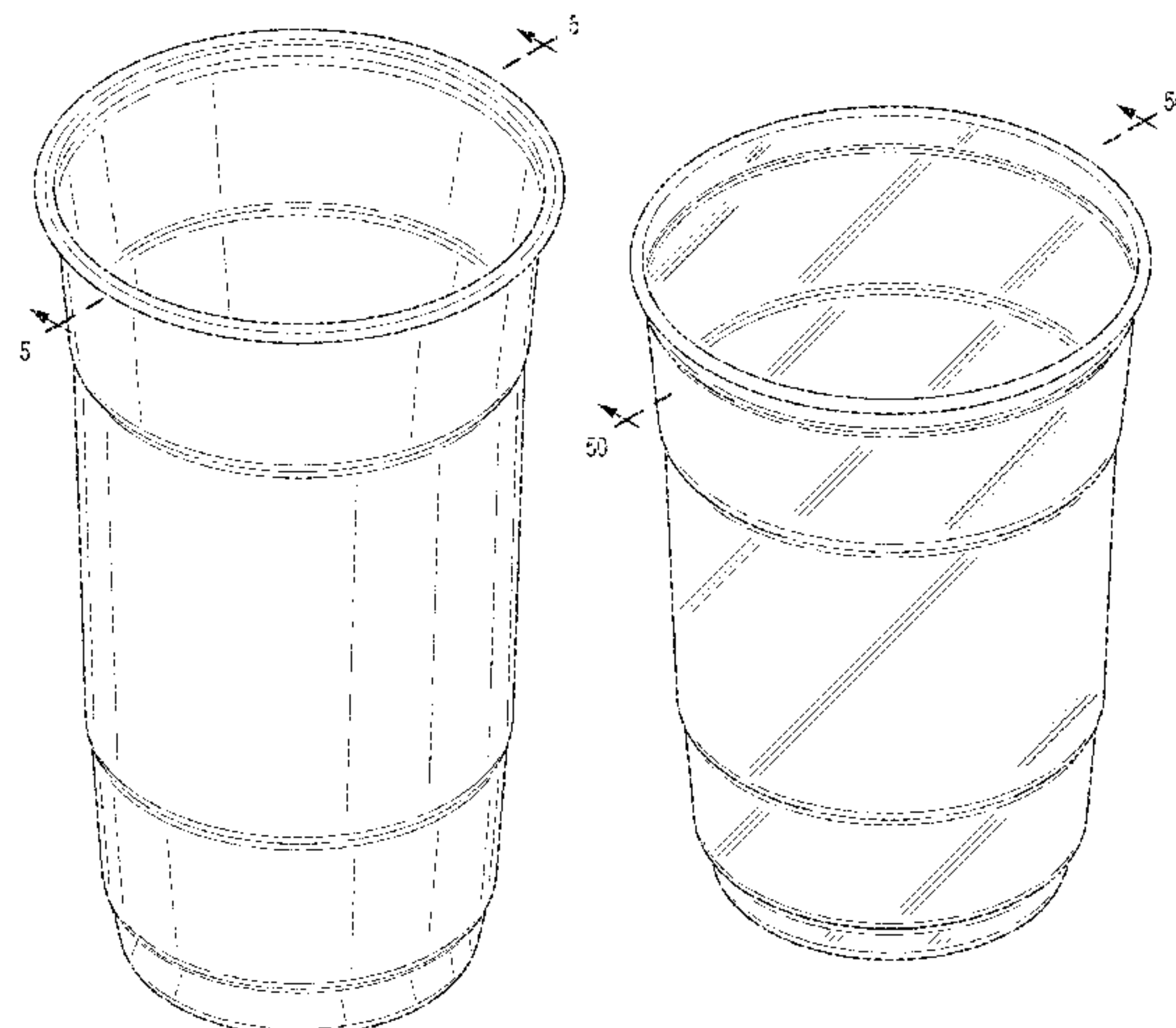
See application file for complete search history.

(56) **References Cited**

U.S. PATENT DOCUMENTS

348,079 A 8/1886 Wellman
671,427 A 4/1901 Anderson

795,437 A 7/1905 Gender
1,884,903 A 10/1932 Squires
1,942,930 A 1/1934 Ludington
1,967,245 A 7/1934 Hothersall
D110,286 S 6/1938 Krehblel
2,208,431 A * 7/1940 Rochow A47J 43/27
366/130
2,402,068 A 6/1946 Meador
D159,599 S * 8/1950 Chaplin D7/531
2,880,902 A * 4/1959 Owsen A45F 3/20
220/8
2,905,350 A * 9/1959 Edwards B65D 1/265
215/373
2,969,030 A 1/1961 Kahn et al.
3,009,603 A 11/1961 Stockdale
3,079,027 A 2/1963 Edwards
3,091,360 A 5/1963 Edwards
3,128,029 A 4/1964 Price et al.
3,139,213 A * 6/1964 Edwards B65D 1/265
206/519
D199,336 S 10/1964 Wanderer
3,157,335 A 11/1964 Maier
3,169,688 A 2/1965 Schad
3,186,850 A * 6/1965 Anthony B65D 1/265
426/86
D202,507 S * 10/1965 Shelby D7/523
3,223,305 A 12/1965 Edwards
3,262,626 A 7/1966 Davis
3,342,370 A 9/1967 Johnson
3,349,950 A * 10/1967 Wanderer B65D 1/26
220/787
3,372,830 A 3/1968 Edwards
D210,767 S * 4/1968 Anglada D7/532
3,375,954 A * 4/1968 Honkanen B65D 1/265
206/520
D212,279 S 9/1968 Bennett et al.
D212,352 S * 10/1968 Davis D7/530
3,443,714 A 5/1969 Edwards
3,519,165 A 7/1970 Hawley
D219,432 S * 12/1970 Edwards D9/429
3,811,393 A 5/1974 Close
3,814,040 A 6/1974 Habash
3,831,745 A 8/1974 Rump et al.
3,850,340 A 11/1974 Siemonsen et al.
3,850,361 A 11/1974 Day et al.
3,927,766 A 12/1975 Day
3,934,725 A 1/1976 Edwards
3,949,524 A * 4/1976 Mickelson A01G 9/02
47/79
3,995,572 A 12/1976 Saunders
4,040,537 A 8/1977 Edwards
4,049,122 A 9/1977 Maxwell
4,052,037 A 10/1977 Mair et al.



US D968,893 S

4,082,184 A	4/1978	Hammer	D475,243 S	*	6/2003	Trazzi	D7/523
D248,916 S	8/1978	Reynolds et al.	D476,566 S		7/2003	Smith et al.	
4,111,303 A	9/1978	Compton	D476,891 S		7/2003	Clarke et al.	
4,124,120 A	11/1978	Day	D477,223 S		7/2003	Smith et al.	
4,134,354 A	1/1979	Cvacho et al.	D478,006 S		8/2003	Smith et al.	
4,210,141 A *	7/1980	Brockman	D483,225 S		12/2003	Gain	
		A47G 19/22	D485,758 S		1/2004	Clarke et al.	
		220/703	D486,994 S		2/2004	Smith et al.	
4,231,476 A	11/1980	Compton et al.	D487,214 S		3/2004	Rutter et al.	
4,263,800 A	4/1981	Arfert et al.	D487,669 S		3/2004	Smith et al.	
4,366,696 A	1/1983	Durgin et al.	D489,254 S		5/2004	Kocis et al.	
4,368,818 A	1/1983	Day et al.	D489,260 S		5/2004	Smith et al.	
4,373,634 A	2/1983	Edwards	D490,655 S		6/2004	Zettle et al.	
4,386,514 A	6/1983	Herten	D494,816 S		8/2004	Wiedmeyer et al.	
4,420,081 A	12/1983	Dart	D494,817 S		8/2004	Rutter et al.	
D272,794 S	2/1984	Dart	D496,825 S		10/2004	Wiedmeyer et al.	
4,503,702 A	3/1985	Bulso, Jr. et al.	D497,774 S		11/2004	Smith et al.	
D280,076 S	8/1985	Haag, Sr.	D498,980 S		11/2004	Smith et al.	
D280,078 S	8/1985	Fortuna	D499,304 S		12/2004	Wiedmeyer et al.	
D283,387 S	4/1986	Durand	D499,933 S		12/2004	Rutter et al.	
D287,919 S	1/1987	Clements	D499,934 S		12/2004	Smith et al.	
D293,293 S	12/1987	Isles	D499,935 S		12/2004	Smith et al.	
D293,536 S	1/1988	Ritman	D499,936 S		12/2004	Wiedmeyer et al.	
D297,090 S *	8/1988	West	6,866,905 B1		3/2005	Sandstrom et al.	
D298,394 S	11/1988	Brewer	D504,593 S		5/2005	Smith et al.	
4,782,685 A	11/1988	Bulso, Jr. et al.	D505,830 S		6/2005	Smith et al.	
4,832,202 A	5/1989	Newman et al.	D507,158 S		7/2005	Smith et al.	
4,846,350 A	7/1989	Sorensen	D507,461 S		7/2005	Smith et al.	
4,914,937 A	4/1990	Bulso, Jr. et al.	D508,822 S		8/2005	Smith et al.	
5,014,536 A	5/1991	Saunders	D510,679 S		10/2005	Smith et al.	
5,105,645 A	4/1992	Kobayashi et al.	D511,647 S		11/2005	Smith et al.	
D339,744 S	9/1993	Seppala	D511,932 S		11/2005	Smith et al.	
D345,073 S *	3/1994	Carlson	D514,380 S		2/2006	Smith et al.	
D345,081 S	3/1994	Adami et al.	D514,385 S		2/2006	Smith et al.	
D350,695 S	9/1994	Adami et al.	D514,444 S		2/2006	Smith et al.	
D352,239 S	11/1994	Adami et al.	D514,445 S		2/2006	Smith et al.	
D353,297 S *	12/1994	Sokolski	D514,884 S		2/2006	Smith et al.	
		A47G 19/22	D514,886 S *		2/2006	Kingsley	A01G 9/02
		D7/387					D7/523
D354,227 S	1/1995	Adami et al.	D515,866 S		2/2006	Wiedmeyer et al.	
D356,733 S	3/1995	Adami et al.	D516,378 S		3/2006	Smith et al.	
5,427,269 A	6/1995	Willbrandt	D519,751 S		5/2006	Etter	
D360,133 S	7/1995	Boller	D526,847 S		8/2006	Freeman	
D364,112 S	11/1995	Dickinson et al.	D528,863 S		9/2006	Hayes et al.	
5,487,295 A	1/1996	Diekhoff et al.	D530,602 S		10/2006	Boiler et al.	
D368,234 S	3/1996	Dickinson et al.	7,117,066 B2		10/2006	Mannlein et al.	
D373,931 S	9/1996	Whitehead	7,121,991 B2		10/2006	Mannlein et al.	
5,555,992 A	9/1996	Sedgeley	D531,854 S		11/2006	Bresler	
D375,259 S	11/1996	Whitehead	D533,411 S		12/2006	Webb	
5,626,048 A	5/1997	McClung	D533,748 S *		12/2006	Bresler	B65D 1/265
D379,738 S	6/1997	Liming et al.					D7/523
D381,558 S	7/1997	Schaefer et al.	D535,561 S		1/2007	Smith et al.	
D382,200 S	8/1997	Brondyke et al.	D535,822 S		1/2007	Smith et al.	
D382,201 S	8/1997	Brondyke et al.	D536,249 S		2/2007	Smith et al.	
5,657,897 A	8/1997	Schwartzburg	D537,677 S *		3/2007	Bresler	D7/509
D383,947 S	9/1997	Schaefer	D539,094 S		3/2007	Wasserman et al.	
5,755,354 A	5/1998	Lang	D539,649 S		4/2007	Smith et al.	
5,769,266 A	6/1998	Willbrandt	D539,650 S		4/2007	Smith et al.	
D399,744 S	10/1998	Gross	D540,167 S		4/2007	Smith et al.	
5,992,632 A	11/1999	Karren	D544,755 S		6/2007	Diesman	
D418,371 S	1/2000	Whitehead	7,281,649 B2		10/2007	Pyper, Jr.	
6,010,028 A	1/2000	Jordan et al.	D554,498 S		11/2007	Lovett	
6,038,910 A	3/2000	McClung	D554,531 S		11/2007	Lovett	
6,065,603 A	5/2000	Filice et al.	D563,727 S		3/2008	Lovett	
D436,295 S *	1/2001	Furman	D568,687 S		5/2008	Lovett	
D436,499 S	1/2001	Pritchard et al.	D570,159 S *		6/2008	McGill	B65D 1/265
D440,155 S	4/2001	Schaefer					D7/509
D441,252 S	5/2001	Gitschlag	D571,655 S		6/2008	Lovett	
6,233,999 B1	5/2001	Yabutani et al.	D573,408 S		7/2008	Lovett	
D443,796 S *	6/2001	Lin	D573,409 S		7/2008	Lovett	
		A47G 19/23	D575,990 S		9/2008	Altiner et al.	
		D7/510	D577,995 S		10/2008	Lovett	
D446,687 S *	8/2001	Furman	D578,387 S		10/2008	Lovett	
D449,986 S	11/2001	Schaefer	D578,877 S		10/2008	Lovett	
6,382,449 B1	5/2002	Kazmierski et al.	D589,300 S		3/2009	Altiner et al.	
D458,807 S	6/2002	Trazzi	D589,301 S		3/2009	Altiner et al.	
6,442,991 B1	9/2002	Rojek	7,546,932 B2		6/2009	Smith et al.	
6,463,776 B1	10/2002	Enoki et al.	D596,499 S		7/2009	Willis et al.	
6,497,338 B1	12/2002	Stolzman	D596,903 S		7/2009	Willis et al.	
D469,691 S	2/2003	Brondyke et al.					
D473,134 S	4/2003	Nuzzo					
6,554,154 B1	4/2003	Chauhan et al.					

US D968,893 S

D607,692 S	1/2010	Skala		D722,823 S	2/2015	Del Mar Menendez	
D608,591 S	1/2010	Hillebrenner et al.		8,973,777 B2	3/2015	Ramsey et al.	
D609,513 S	2/2010	Koennecke et al.		D729,114 S	5/2015	Romley	
D609,531 S	2/2010	Koennecke		D732,343 S *	6/2015	Romley	B65D 21/0233
D609,532 S	2/2010	Koennecke					D7/532
D609,976 S	2/2010	Koennecke		D732,402 S	6/2015	Jones et al.	
7,661,286 B2	2/2010	Warmbrunn		9,044,082 B2	6/2015	Kusuma et al.	
D611,384 S *	3/2010	Biegel	B65D 1/265	D739,731 S	9/2015	Jones	
			D11/152	D739,732 S	9/2015	Jones	
D612,201 S	3/2010	Hillebrenner		9,156,583 B2	10/2015	Howard et al.	
D612,202 S	3/2010	Hillebrenner		D744,833 S	12/2015	Cotton	
D613,554 S	4/2010	Koennecke		D744,861 S	12/2015	Fortner	
D615,356 S	5/2010	Hillebrenner		D745,396 S	12/2015	Jahina et al.	
D620,790 S	8/2010	Lovett		D745,397 S	12/2015	Gogola et al.	
D622,105 S	8/2010	Koennecke et al.		D745,398 S	12/2015	Cotton	
D624,788 S	10/2010	Koennecke		D745,399 S	12/2015	Cotton	
D626,863 S	11/2010	Lovett		D747,925 S *	1/2016	Engler	B65D 1/265
D627,596 S	11/2010	Hillebrenner et al.					D7/512
D628,436 S	12/2010	Koennecke et al.		D749,838 S	2/2016	Romley	
D628,437 S	12/2010	Koennecke et al.		9,254,514 B2	2/2016	Farnham	
D631,513 S	1/2011	Weinert		D751,922 S	3/2016	Ramsey et al.	
D635,855 S	4/2011	Smith et al.		9,321,555 B2	4/2016	Roodnat et al.	
D636,229 S	4/2011	Koennecke		D756,705 S	5/2016	Abrams et al.	
D636,230 S	4/2011	Koennecke		D756,709 S	5/2016	Weitman	
7,934,410 B2	5/2011	Myers et al.		9,327,899 B2	5/2016	Greenfield et al.	
D639,606 S	6/2011	Koennecke		9,340,345 B2	5/2016	Leser et al.	
D641,590 S	7/2011	Koennecke		D764,231 S *	8/2016	Szymanski	B65D 1/265
D649,396 S *	11/2011	Wilkins	B65D 1/265				D7/510
			D7/396.2	9,440,410 B2	9/2016	Marshall	
D650,634 S *	12/2011	Hodge	A45F 3/20	D769,069 S *	10/2016	Sanbar	D7/523
			D7/532	9,468,971 B2	10/2016	Yamagata et al.	
D651,452 S	1/2012	Hillebrenner et al.		D772,079 S	11/2016	Ramsey et al.	
D655,573 S *	3/2012	O'Connor	D7/532	D772,080 S	11/2016	Ramsey	
D655,574 S	3/2012	O'Connor		D772,713 S	11/2016	Chapman et al.	
D658,443 S	5/2012	Chiu et al.		D772,726 S	11/2016	Ramsey	
D664,003 S	7/2012	Nagoya		9,499,327 B2 *	11/2016	D'Amato	B65D 3/28
D664,844 S	8/2012	Hale		D779,974 S	2/2017	Florkeiwicz et al.	
D667,271 S	9/2012	Fishman		D779,975 S	2/2017	Arranz et al.	
D667,272 S	9/2012	Fishman		D780,601 S	3/2017	Arranz et al.	
D674,663 S	1/2013	Cahen		9,617,043 B2	4/2017	McGirr et al.	
8,360,263 B2	1/2013	D'Amato		D786,703 S	5/2017	Chapman et al.	
D675,482 S	2/2013	Heggstad et al.		D789,745 S	6/2017	Rashid	
8,387,816 B2	3/2013	Fallas		D790,277 S *	6/2017	Mackesy, II	D7/507
D679,947 S	4/2013	Romley		9,700,929 B2	7/2017	Fedusa et al.	
D680,376 S *	4/2013	Romley	D7/528	9,713,906 B2	7/2017	Chapman et al.	
D680,377 S *	4/2013	Romley	A47J 43/27	D795,650 S	8/2017	Weitman	
			D7/532	D796,905 S	9/2017	Kestenbaum	
D680,378 S *	4/2013	Romley	D7/536	D797,510 S *	9/2017	Ke	D7/523
D684,051 S	6/2013	Winstanley et al.		D797,512 S *	9/2017	O'Connor	D7/529
D684,869 S	6/2013	Pellaud et al.		9,758,292 B2	9/2017	Leser et al.	
D688,522 S *	8/2013	Pablo	B65D 1/26	9,758,293 B2	9/2017	Leser et al.	
			D7/510	9,771,206 B2	9/2017	Marshall	
D688,553 S	8/2013	Winstanley et al.		D799,268 S	10/2017	Gschwandtl et al.	
D689,377 S	9/2013	Maxwell-Wood		9,783,359 B2	10/2017	D'Amato	
8,556,099 B2	10/2013	Perlman		9,789,992 B2	10/2017	Fortner	
D696,582 S	12/2013	Ramsey et al.		D808,271 S	1/2018	Weyer et al.	
D696,583 S	12/2013	Ramsey et al.		9,868,564 B2	1/2018	McGirr et al.	
D696,593 S	12/2013	Farrow et al.		9,895,737 B2	2/2018	Caunter et al.	
8,616,418 B2	12/2013	Painchaud et al.		9,902,552 B2	2/2018	Bilko	
D696,940 S	1/2014	Hale et al.		D813,606 S	3/2018	O'Nan et al.	
D699,595 S	2/2014	Farrow et al.		9,932,152 B2	4/2018	Combe	
D704,592 S	5/2014	Hung et al.		10,099,840 B2	10/2018	Frost et al.	
8,727,151 B2	5/2014	Valles et al.		D833,224 S	11/2018	Wahlkvist	
D707,568 S	6/2014	Stephens et al.		10,239,648 B2	3/2019	Lord et al.	
8,746,488 B2	6/2014	Caunter et al.		D849,596 S	5/2019	Crosby	
D711,228 S	8/2014	Gailly		10,286,437 B2	5/2019	Golding	
D711,246 S	8/2014	Hanson et al.		10,478,000 B2	11/2019	Choi et al.	
D712,753 S	9/2014	Stephens et al.		10,479,544 B2	11/2019	Crosby et al.	
D713,268 S	9/2014	Jones et al.		D871,151 S	12/2019	Hudson	
D715,162 S	10/2014	Farrow et al.		D903,424 S *	12/2020	Scott	A47G 19/23
D717,605 S *	11/2014	Kristinik	A47G 19/2205				D7/532
			D7/532	D906,056 S *	12/2020	Scott	D7/532
D717,606 S *	11/2014	Kristinik	B65D 1/28	D910,376 S	2/2021	Lovelace	
			D7/532	D939,896 S	1/2022	Brownsberger et al.	
8,899,435 B1	12/2014	Reder et al.		2004/0031714 A1	2/2004	Hanson	
8,920,892 B2	12/2014	Hernandez		2005/0006395 A1	1/2005	Reed et al.	
D721,887 S *	2/2015	Romley	B65D 81/3869	2005/0061821 A1 *	3/2005	Smith	B65D 1/265
			D3/211				220/675

US D968,893 S

2005/0189361	A1 *	9/2005	Bresler	B65D 1/265	CN	101704423	5/2010
				220/703	CN	201551057	8/2010
2005/0230401	A1	10/2005	Hanson		CN	201602531	10/2010
2006/0277957	A1	12/2006	Fujishige et al.		CN	301677030	9/2011
2007/0029320	A1 *	2/2007	Bouie	B65D 21/0233	CN	301740222	11/2011
				220/23.86	CN	302008477	7/2012
2007/0295051	A1	12/2007	Myers et al.		CN	302041222	8/2012
2008/0128481	A1 *	6/2008	Robertson	B65D 81/3869	CN	302120632	10/2012
				229/403	CN	202681458	1/2013
2008/0257895	A1	10/2008	Broselow		CN	202722936	2/2013
2009/0026214	A1	1/2009	Yuan et al.		CN	302371122	3/2013
2010/0247830	A1	9/2010	Hernandez		CN	302412019	4/2013
2011/0248040	A1	10/2011	McGregor		CN	202950502	5/2013
2011/0303659	A1	12/2011	Perlman		CN	302452379	6/2013
2012/0181205	A1	7/2012	Alvares et al.		CN	302639399	11/2013
2012/0282482	A1	11/2012	Flehmig et al.		CN	303099799	* 2/2015
2014/0048440	A1	2/2014	Prickett, Jr.		CN	104907451	9/2015
2014/0166655	A1	6/2014	Combe		CN	205144216	4/2016
2014/0308407	A1	10/2014	Ramsey et al.		CN	303944150	11/2016
2014/0374428	A1	12/2014	Watson et al.		CN	206466360	9/2017
2015/0041480	A1	2/2015	Ramsey		CN	304486417	2/2018
2015/0122817	A1	5/2015	Maxwell-Wood		CN	304650294	5/2018
2015/0208839	A1	7/2015	Shalmoni		CN	207956318	10/2018
2015/0216341	A1	8/2015	Shimono		CN	209003460	6/2019
2015/0257559	A1	9/2015	Shalmoni		CN	209152977	7/2019
2015/0289691	A1	10/2015	Azuma et al.		CN	209252321	8/2019
2015/0343516	A1	12/2015	Schremmer et al.		CN	209421623	9/2019
2015/0344166	A1	12/2015	Davis et al.		CN	305359992	9/2019
2016/0031594	A1	2/2016	Ramsey et al.		CN	305424984	11/2019
2016/0075503	A1	3/2016	Ramsey et al.		CN	305534416	1/2020
2016/0340104	A1	11/2016	Rodriguez		CN	305740110	4/2020
2016/0368650	A1	12/2016	Davis et al.		CN	306259887	1/2021
2017/0050800	A1	2/2017	Gain		CN	306259888	1/2021
2017/0095852	A1	4/2017	Carstens et al.		DE	28227722	12/1978
2017/0251852	A1 *	9/2017	O'Nan	A47G 19/2205	DE	2312116	2/1982
2017/0267415	A1	9/2017	Olson et al.		DE	2639154	4/1985
2017/0305647	A1	10/2017	Golding		DE	2554907	8/1987
2018/0044074	A1	2/2018	Combe et al.		DE	3418849	8/1992
2018/0057247	A1	3/2018	Marshall		DE	29920952	3/2000
2018/0127195	A1	5/2018	Ramsey		DE	402012003271-0001	1/2013
2018/0134460	A1	5/2018	Ramsey		DE	10-2006-053325	2/2016
2018/0140118	A1	5/2018	Ma		EM	007094115-0001	11/2019
2018/0141799	A1	5/2018	Song		EM	006633202-0002	1/2020
2018/0194517	A1	7/2018	Brooks		EM	008262406-0001	11/2020
2018/0221936	A1	8/2018	Scott		EM	008262406-0002	11/2020
2018/0228314	A1 *	8/2018	Putnam	B65D 1/28	EP	0090639	10/1983
2019/0112100	A1	4/2019	Scott		EP	0076807	12/1985
2019/0216245	A1	7/2019	Choi et al.		EP	0460739	12/1991

FOREIGN PATENT DOCUMENTS

AU	Des. 201817018	1/2019		EP	1876107	1/2008
AU	Des. 201817017	3/2019		EP	1876106	10/2008
AU	Des. 201911146	4/2019		EP	2623429	8/2013
BR	7401492	8/1996		EP	2662295	11/2013
BR	20-2017-016121	1/2020		EP	2662296	11/2013
CA	25919	* 10/1963		EP	2768741	8/2014
CA	872628	6/1971		EP	2958812	1/2017
CA	143472	6/2012		FR	1283044	1/1962
CA	143473	6/2012		FR	1376764	10/1964
CA	143474	6/2012		FR	1490636	8/1967
CA	145174	3/2013		FR	2177714	11/1973
CA	145175	3/2013		FR	2229243	12/1974
CA	145176	3/2013		FR	2758703	7/1998
CA	148031	11/2013		FR	2926797	12/2012
CA	148032	11/2013		FR	2988377	9/2013
CA	150408	1/2014		FR	2993868	1/2014
CA	150409	1/2014		GB	558436	1/1944
CA	152297	5/2014		GB	976178	11/1964
CA	152298	5/2014		GB	1096451	12/1967
CA	171072	7/2017		GB	1261531	1/1972
CA	174457	7/2017		GB	1261816	1/1972
CA	184556	* 7/2020		GB	1376603	12/1974
CN	3209888	* 11/2001		GB	1458505	12/1976
CN	2475320	2/2002		GB	2077177	12/1981
CN	3288173	4/2003		GB	1007349	3/1983
CN	2617692	5/2004		GB	2484149	4/2012
CN	2751691	1/2006		GB	1715105.1	9/2017
CN	2930414	8/2007		GB	6109969	12/2020

GB	6161121	9/2021	Performa CFC Ideas, "CFC Party Cups," Aug. 29, 2014, Performa CFC Ideas, https://proformacfcideas.com/2014/08/29/cfc-party-cups/ (Year: 2014).*
HK	1254165	7/2019	Stirrup, Jen, "Azure Tools and Technologies Cheat Sheet," Aug. 31, 2017, Jenstirrup.com, https://jenstirrup.com/2017/08/ (Year: 2017).*
ID	A	2/2014	Sunstock, "Plastic Cups stock photo," Nov. 18, 2017, iStock, www.istockphoto.com/photo/plastic-cups-gm876022646-244531648 (Year: 2017).*
	10201400234-0001		Florida Panthers, "Those who signed up for #PanthersPalooza will also be receiving these reusable and commemorative red solo cups!" Jan. 12, 2018, Twitter, https://twitter.com/flapanthers/status/951920540666814465 (Year: 2018).*
JP	S58-005934	1/1983	Eagle, Jenny, "Ball to pilot disposable aluminum cups as an alternative to plastic," Aug. 29, 2019, BeverageDaily.com, www.beveragedaily.com/Article/2019/08/29/Ball-to-pilot-disposable-aluminum-cups-as-an-alternative-to-plastic# (Year: 2019).*
JP	S63-040327	3/1988	Ball Aluminum Cup, "The new#BallAluminumCup recycles indefinitely without losing quality," Oct. 22, 2019, Facebook, www.facebook.com/BallAluminumCup/photos/141931017202686 (Year: 2019).*
JP	S63-183738	7/1988	Choness, "Red Beer Pong plastic cups with ball isolated on white background." Jun. 15, 2019, iStock, www.istockphoto.com/photo/red-beer-pong-plastic-cups-with-ball-isolated-on-white-background-traditional-gm1155721554-314746084 (Year: 2019).*
JP	H01-150418	6/1989	Pirani Life, "One More Time!" Jun. 13, 2019, Facebook, www.facebook.com/piranilife/photos/a.181707952414777/348934209025483 (Year: 2019).*
JP	H07-052937	2/1995	Rense, Sarah, "Ball Is Making Aluminum Beer Pong Cups That Are 'Infinitely Recyclable'," Aug. 29, 2019, Esquire, www.esquire.com/food-drink/drinks/a28842420/ball-aluminum-cups-sustainability-beer-pong/ (Year: 2019).*
JP	2610958	5/1997	Third Party Observation (no English translation available) for Japanese Patent Application No. 2019-542624, dated Jul. 10, 2020, 1 page.
JP	2869683	3/1999	Official Action (with English translation) for Japanese Patent Application No. 2019-542624, dated Sep. 15, 2020, 7 pages.
JP	3614244	1/2005	Notice of Allowance (no English translation available) for Russian Patent Application No. 2019505890, dated Sep. 16, 2020.
JP	2006-224108	8/2006	Notice of Allowance (no English translation available) for Russian Patent Application No. 2020501691, dated Sep. 16, 2020, 28 pages.
JP	2006-224113	8/2006	Notice of Allowance (no English translation available) for Russian Patent Application No. 2020501693, dated Sep. 16, 2020, 28 pages.
JP	4263000	5/2009	Notice of Allowance (no English translation available) for Russian Patent Application No. 2020501694, dated Sep. 16, 2020, 28 pages.
JP	04273735	6/2009	Official Action (no English translation available) for Russian Patent Application No. 2020503627, dated Sep. 10, 2020, 2 pages.
JP	04334861	9/2009	Notice of Allowance for U.S. Appl. No. 29/672,428, dated Sep. 2, 2020, 6 pages.
JP	2009-541066	11/2009	U.S. Appl. No. 29/724,469, filed Feb. 14, 2020, Scott.
JP	2012-161844	8/2012	"Solo 20 Red Cups Original 16oz-50cl" My American Market, Feb. 22, 2017, 1 page.
JP	5120807	1/2013	Official Action (no English translation available) for Russian Patent Application No. 2019128003, dated Feb. 17, 2020, 6 pages.
JP	5262872	8/2013	International Search Report and Written Opinion for International (PCT) Patent Application No. PCT/US2019/064905, dated Feb. 25, 2020, 11 pages.
JP	2015-506842	3/2015	Official Action for Canadian Patent Application No. 184558, dated Jan. 31, 2020, 1 page.
JP	D1522063	* 4/2015	Official Action for Canadian Patent Application No. 184556, dated Feb. 17, 2020, 4 pages.
JP	5985655	9/2016	Notice of Allowance for Mexican Patent Application No. MX/f/2018/003496, dated Feb. 18, 2020, 3 pages.
KR	300526059.0000	4/2009	Notice of Allowance (with English translation) for Chinese Patent Application No. 201930288129.0, dated Jan. 17, 2020, 5 pages.
KR	1228537	3/2013	Official Action (no English translation available) for Russian Patent Application No. 2019502325, dated Dec. 5, 2019, 3 pages.
KR	301016369.0000	* 7/2019	Official Action (no English translation available) for Russian Patent Application No. 2019502327, dated Dec. 5, 2019, 3 pages.
KR	301007340.0000	9/2019	Official Action for Australian Patent Application No. 201917418, dated Feb. 6, 2020, 3 pages.
KR	301069996.0000	8/2020	Official Action (no English translation available) for Russian Patent Application No. 2019505890, dated Jan. 17, 2020, 2 pages.
MX	199600207	11/1998	
RU	00114828	4/2012	
RU	00087794	2/2014	
TW	201116456	5/2011	
TW	201117754	6/2011	
WO	WO 82/03576	10/1982	
WO	WO 96/00169	1/1996	
WO	WO 99/59896	11/1999	
WO	WO 2005/085074	9/2005	
WO	WO 2009/090224	7/2009	
WO	WO 2009/115377	9/2009	
WO	WO 2009/130043	10/2009	
WO	WO D072393-001	3/2010	
WO	WO 2010/122161	10/2010	
WO	WO 2010/128161	11/2010	
WO	WO 2011/004013	1/2011	
WO	WO 2011/023644	3/2011	
WO	WO 2011/053776	5/2011	
WO	WO 2012/056018	5/2012	
WO	WO 2012/136677	10/2012	
WO	WO 2013/002363	1/2013	
WO	WO 2013/010875	1/2013	
WO	WO 2013/068292	5/2013	
WO	WO 2013/096636	6/2013	
WO	WO 2013/124418	8/2013	
WO	WO 2013/164482	11/2013	
WO	WO 2013/190264	12/2013	
WO	WO 2015/177167	11/2015	
WO	WO 2015/181792	12/2015	
WO	WO 2016/166112	10/2016	
WO	WO 2016/192397	12/2016	
WO	WO 2018/052973	3/2018	
WO	WO 2018/109110	6/2018	
WO	WO 2018/147916	8/2018	
WO	WO 2021/192671	9/2021	
WO	2022/064837	3/2022	

OTHER PUBLICATIONS

Virventures, "Red Cup Living Reusable Red Plastic Cups," Jun. 27, 2012, Amazon.com, www.amazon.com/Red-Cup-Living-Reusable-Beverage/dp/B008FD8KD8 (Year: 2012).*

Bouchard, Skyler, "The Evolution of the Red Cup," Mar. 13, 2013, Food by Skyler, <https://foodbyskyler.wordpress.com/2013/03/13/the-evolution-of-the-red-cup/> (Year: 2013).*

Kremer, Kelsey, "10 photos: Colorful kitchen styles," Jul. 25, 2014, Des Moines Register, www.desmoinesregister.com/picture-gallery/life/style/2014/07/25/10-photos-colorful-kitchen-styles/13171713/ (Year: 2014).*

- Official Action for U.S. Appl. No. 15/811,032, dated Jan. 30, 2020, 13 pages.
- U.S. Appl. No. 29/771,364, filed Feb. 22, 2021, Fitzsimons.
- Third Party Observation (no English translation available) for Japanese Patent Application No. 2019-542624, dated Dec. 28, 2020, 1 page.
- Official Action (no English translation available) for Thailand Patent Application No. 2002003694, dated Feb. 10, 2021, 2 pages.
- Official Action for U.S. Appl. No. 29/648,903, dated Feb. 19, 2021, 15 pages.
- Decision to Grant (no English translation available) for Russian Patent Application No. 2019128003, dated May 27, 2020, 8 pages.
- Official Action (with English translation) for Chinese Patent Application No. 201780088249.4, dated Feb. 22, 2021, 27 pages.
- Third Party Observation (no English translation available) for Japanese Patent Application No. 2019-542624, dated Jan. 29, 2021, 1 page.
- Official Action for U.S. Appl. No. 16/214,477, dated Mar. 22, 2021, 13 pages.
- Official Action (no English translation available) for Russian Patent Application No. 2019502325, dated Apr. 13, 2020, 4 pages.
- Official Action (no English translation available) for Russian Patent Application No. 2019502327, dated Apr. 13, 2020, 4 pages.
- U.S. Appl. No. 29/764,090, filed Dec. 28, 2020, Scott.
- Official Action for Canadian Patent Application No. 3052955, dated Dec. 9, 2020, 8 pages.
- Official Action (no English translation available) for Mexican Patent Application No. MX/f/2019/001329, dated Oct. 2, 2020, 5 pages.
- Official Action for U.S. Appl. No. 16/214,477, dated Dec. 11, 2020, 9 pages.
- Notice of Allowance (with English translation) for Chinese Patent Application No. 202030799106.9, dated Mar. 26, 2021, 5 pages.
- Notice of Allowance (with English translation) for Chinese Patent Application No. 202030800806.5, dated Apr. 2, 2021, 5 pages.
- Official Action for Canadian Patent Application No. 197658, dated Mar. 26, 2021, 2 pages.
- Notice of Allowance (no English translation available; see drawings) for Russian Patent Application No. 2020503627, dated Apr. 5, 2021, 9 pages.
- Official Acton (no English translation available) for Russian Patent Application No. 2021501615, dated Apr. 19, 2021, 2 pages.
- Official Action for Canadian Patent Application No. 3052955, dated Jun. 7, 2021, 8 pages.
- International Preliminary Report on Patentability for International (PCT) Application No. PCT/US2019/064905, dated Jun. 24, 2021, 7 pages.
- Official Action for Australia Patent Application No. 202111837, dated May 18, 2021, 3 pages.
- Extended European Search Report for European Patent Application No. 17896272.6, dated Nov. 19, 2020, 8 pages.
- Official Action (with English translation) for India Patent Application No. 201917033122, dated Jan. 14, 2021, 5 pages.
- Official Action (with English translation) for Japanese Patent Application No. 2019-542624, dated Jan. 12, 2021, 7 pages.
- Official Action (No. English translation available) for Chinese Patent Application No. 202030799106.9, dated Jan. 11, 2021, 1 page.
- Official Action (No. English translation available) for Chinese Patent Application No. 202030800806.5, dated Jan. 11, 2021, 1 page.
- “King of Beer Pong Stainless Steel Beer Pong Cups,” Tailgating Ideas, © 2017, 8 pages [retrieved online from: www.tailgatingideas.com/king-of-beer-pong-stainless-steel-beer-pong-cups/].
- International Search Report and Written Opinion for International (PCT) Patent Application No. PCT/US2017/062582, dated Feb. 1, 2018 10 pages.
- “[100 Sets~16 oz] Plastic Cups with Flat Lids,” Amazon, 2016, retrieved from [httlxllamazon.com/Comfy-Package-50-Sets-Crystal/dp/B01DS7OZP2/ref=psdc_15757581_t4_B01HHQ40IC](https://www.amazon.com/Comfy-Package-50-Sets-Crystal/dp/B01DS7OZP2/ref=psdc_15757581_t4_B01HHQ40IC), 10 pages.
- “Stack Man Red [16 oz-100 Pack] Party, Cold Drink Plastic Disposable Cups,” Amazon, 2016, retrieved from https://www.amazon.com/Stack-Man-Cold-Plastic-Party/dp/B071H84S86/ref=sr_1_1?dchild=1&keywords=Stack+Man+Red+%5B16+oz-100+Pack%5D+Party%2C+Cold+Drink+Plastic+Disposable+Cups&qid=1591037472&sr=8-1, 14 pages.
- Official Action for Australian Patent Application No. 2017393102, dated May 4, 2020, 4 pages.
- Official Action (no English translation available) for Chinese Patent Application 201930722022.2, dated Apr. 20, 2020, 1 page.
- Ex Parte Quayle Action for U.S. Appl. No. 29/648,897, dated May 21, 2020, 8 pages.
- Official Action for U.S. Appl. No. 29/672,428, dated May 21, 2020, 8 pages.
- Notice of Allowance for Australian Patent Application No. 2017398102, dated Oct. 13, 2020, 4 pages.
- Official Action for Canadian Patent Application No. 192020, dated Oct. 20, 2020, 3 pages.
- Official Action (with English translation) for Chinese Patent Application 201930722022.2, dated Oct. 28, 2020, 5 pages.
- Official Action for Australian Patent Application No. 202014455, dated Oct. 26, 2020, 4 pages.
- Notice of Allowance for U.S. Appl. No. 15/811,032, dated Nov. 4, 2020, 7 pages.
- Official Action for U.S. Appl. No. 29/648.903, dated Oct. 6, 2020, 9 pages. Restriction Requirement.
- U.S. Appl. No. 29/741,758, filed Jul. 15, 2020, Whitemore et al.
- Official Action (with English translation) for Chinese Patent Application No. 201780088249.4, dated Jul. 3, 2020, 24 pages.
- Third Party Observation (no English translation available) for Japanese Patent Application No. 2019-542624, dated Jun. 10, 2020, 1 page.
- Official Action for Canadian Patent Application No. 187858, dated Jul. 7, 2020, 2 pages.
- Notice of Allowance for U.S. Appl. No. 29/648,897, dated Jul. 20, 2020, 6 pages.
- Official Action for U.S. Appl. No. 16/214,477, dated Aug. 3, 2020, 7 pages. Restriction Requirement.
- “[25 Pack] 16 oz Cups | Iced Coffee Go Cups and Sip Through Lids | Cold Smoothie | Plastic Cups with Sip Through Lids | Clear Plastic Disposable Pet Cups | Ideal for Parfait, Juice, Soda, Party Cups,” Amazon, 2021, retrieved from <https://www.amazon.com/Through-Smoothie-Plastic-Disposable-Parfait/dp/B08W2424DM/>, 6 pages.
- “Ball Debuts First-Ever Aluminum Cup as Consumer Demand for Sustainable Packaging Grows,” PR Newswire, Aug. 27, 2019, retrieved from <https://www.prnewswire.com/news-releases/ball-debuts-first-ever-aluminum-cup-as-consumer-demand-for-sustainable-packaging-grows-300907200.html>, 4 pages.
- “Coors Light Mar. 2019 Hoops Aluminum 22 Ounce Cups—New!,” eBay, 2019, retrieved from <https://www.ebay.com/itm/255Q30542590?>, 3 pages.
- “Dart—Paper & Plastic Cups, Plates, Bowls & Utensils; Breakroom Accessory Type: Plastic Cold Cups ; Breakroom Accessory Description: Cups—Cold Drink; Plastic ; Color: White,” MSC Direct, 2021, retrieved from <https://www.mscdirect.com/product/details/17128406>, 1 page.
- “Solo Cup 16 oz. Plastic Cold Party Cups,” Amazon, 2016, retrieved from <https://www.amazon.com/Solo-Cold-Plastic-Party-Ounce/dp/B01G2E0FXU>, 7 pages.
- Official Action (with English translation) for Brazil Patent Application No. BR112019016221-6, dated Jul. 27, 2021, 5 pages.
- Notice of Allowance (no English translation available) for Japan Patent Application No. 2019-542624, dated Jul. 20, 2021, 3 pages.
- Official Action for Mexican Patent Application No. MX/f/2020/001191, dated Jun. 24, 2021, 10 pages.
- Official Action for U.S. Appl. No. 16/214,477, dated Jul. 23, 2021, 11 pages.
- Official Action for U.S. Appl. No. 29/648,903, dated Aug. 11, 2021, 15 pages.
- Official Action for U.S. Appl. No. 29/724,469, dated Sep. 1, 2021, 12 pages.
- U.S. Appl. No. 16/703,558, filed Dec. 4, 2019, Scott.
- Notice of Allowance for Chinese Patent Application No. 201830676015.9, dated Nov. 4, 2019, 5 pages.
- Official Action (no English translation available) for Chinese Patent Application No. 201930288129.0, dated Oct. 18, 2019, 2 pages.

International Preliminary Report on Patentability for International (PCT) Patent Application No. PCT/US2017/062582, dated Aug. 22, 2019, 9 pages.

Official Action for Canadian Patent Application No. 184558, dated Oct. 22, 2019, 2 pages.

Official Action for Russian Patent Application No. 2019500757, dated Aug. 9, 2019, 12 pages.

Official Action for U.S. Appl. No. 15/811,032, dated Sep. 30, 2019, 6 pages. Restriction Requirement.

U.S. Appl. No. 17/514,496, filed Oct. 29, 2021, Whitmore et al.

Official Action (with English translation) for Chinese Patent Application No. 201780088249.4, dated Aug. 23, 2021, 20 pages.

Official Action for U.S. Appl. No. 29/741,758, dated Sep. 16, 2021, 9 pages. Restriction Requirement.

U.S. Appl. No. 29/818,397, filed Dec. 8, 2021, Whitmore et al.

Official Action (no English translation available) for Peru Patent Application No. 1550-2019, dated Dec. 10, 2012, 5 pages.

Official Action (with English translation) for Japan Patent Application No. 2021-006668, dated Dec. 14, 2021, 3 pages.

Notice of Allowance (no English translation available) for Russian Patent Application No. 2021501615, dated Dec. 1, 2021, 12 pages.

Notice of Allowance (no English translation available) for Russia Patent Application No. 2021503583, dated Dec. 1, 2021, 9 pages.

Notice of Allowance (no English translation available) for Russia Patent Application No. 2021503584, dated Dec. 1, 2021, 9 pages.

Notice of Allowance for U.S. Appl. No. 29/648,903, dated Dec. 24, 2021, 9 pages.

Official Action for U.S. Appl. No. 29/741,758, dated Jan. 4, 2022, 9 pages.

Official Action (with English translation) for Chinese Patent Application No. 201780088249.4, dated Nov. 30, 2021, 19 pages.

Notice of Allowance for Mexican Patent Application No. MX/f/2020/001191, dated Nov. 3, 2021, 3 pages.

Notice of Allowance for Mexico Patent Application No. MX/f/2019/003721, dated Nov. 10, 2021, 3 pages.

Invitation to Pay Additional Fees for International (PCT) Patent Application No. PCT/US2021/057296, dated Jan. 18, 2022, 2 pages.

Notice of Allowance for U.S. Appl. No. 29/724,469, dated Jan. 26, 2022, 7 pages.

“Blue Disposable Plastic Cups—72ct—up & up,” Target, Publication Date Unknown, retrieved May 18, 2022 from <https://www.target.com/p/blue-disposable-plastic-cups-72ct-up-38-up-8482/-/A-52013769#lnk-sametab>, 7 pages.

“The infinitely recyclable #BallAluminumCup delivers an elevated drinking experience, and equally as exciting sustainability benefits,” Posted on Facebook by Ball Corporation, Oct. 10, 2019, retrieved from <https://www.facebook.com/BallCorpHQ/photos/a.90834519678/10157711493134679>, 1 page.

Official Action (with English translation) for Japan Patent Application No. 2021-530957, dated May 31, 2022, 5 pages.

Official Action for U.S. Appl. No. 29/828,163, dated May 25, 2022, 15 pages.

“Red Cup living 18 oz Cup, Reusable Plastic Cups | Extra Sturdy Big Red Plastic Tumbler, BPA Free Drinking Cup | Red Cup Style Plastic Cups Dishwasher Safe | The Large Drinking Glasses for BBQ—Set of 1,” Amazon.com, 2012, retrieved from <https://www.amazon.com/Red-Cup-Living-Reusable-Beverage/dp/B008FDEQ9U>, 9 pages.

“Ball Aluminum Cup Review,” Uploaded to YouTube by IPSCanmaking, Feb. 2020, retrieved from https://www.youtube.com/watch?v=z_9kWDjvi-Y, 1 page.

Official Action for Australia Patent Application No. 2021200442, dated Jan. 28, 2022, 3 pages.

Official Action for Canadian Patent Application No. 3052955, dated Feb. 11, 2022, 1 page.

Official Action for Australia Patent Application No. 2019396327, dated Feb. 9, 2022, 4 pages.

Official Action for India Patent Application No. 202117023324, dated Feb. 10, 2022, 4 pages.

Notice of Allowance for Mexico Patent Application No. MX/f/2020/001924, dated Feb. 3, 2021, 2 pages.

International Search Report and Written Opinion for International (PCT) Patent Application No. PCT/US2021/057296, dated Jan. 18, 2022, 2 pages.

Notice of Allowance for U.S. Appl. No. 16/214,477, dated Mar. 10, 2022, 9 pages.

Notice of Allowance for U.S. Appl. No. 16/214,477, dated Mar. 30, 2022, 3 pages.

Official Action for U.S. Appl. No. 29/764,090, dated Mar. 2, 2022, 9 pages.

Notice of Allowance (with English translation) for Japan Patent Application No. 2021-081085, dated Apr. 5, 2022, 6 pages.

Official Action (no English translation available) for Russia Patent Application No. 2021120173, dated Mar. 31, 2022, 7 pages.

Official Action (with English translation) for Japan Patent Application No. 2021-006668, dated Mar. 22, 2022, 6 pages.

International Search Report and Written Opinion for International (PCT) Patent Application No. POT/US2021/057296, dated Mar. 22, 2022, 2 pages.

Notice of Allowance for U.S. Appl. No. 29/764,090, dated May 2, 2022, 7 pages.

Official Action for U.S. Appl. No. 29/741,758, dated Apr. 25, 2022, 6 pages.

* cited by examiner

Primary Examiner — Joseph Kukella
Assistant Examiner — Arva P Adams
 (74) *Attorney, Agent, or Firm* — Sheridan Ross P.C.

(57) **CLAIM**

The ornamental design for a tapered cup, as shown and described.

DESCRIPTION

FIG. 1 is a front perspective view of a first embodiment of a tapered cup, showing our new design;

FIG. 2 is a front elevation view thereof, the right, left and rear elevation views being the same as the front elevation view;

FIG. 3 is a top plan view thereof;

FIG. 4 is a bottom plan view thereof;

FIG. 5 is a cross-sectional view thereof, taken at line 5-5 of FIG. 1;

FIG. 6 is a front perspective view of a second embodiment of a tapered cup showing our new design;

FIG. 7 is a front elevation view of the tapered cup of FIG. 6, the right, left and rear elevation views being the same as the front elevation view;

FIG. 8 is a top plan view of the tapered cup of FIG. 6;

FIG. 9 is a bottom plan view of the tapered cup of FIG. 6;

FIG. 10 is a cross-sectional elevation view of the tapered cup of FIG. 6 taken at line 10-10 of FIG. 6;

FIG. 11 is a front perspective view of a third embodiment of a tapered cup, showing our new design;

FIG. 12 is a front elevation view of the tapered cup of FIG. 11, the right, left and rear elevation views being the same as the front elevation view;

FIG. 13 is a top plan view of the tapered cup of FIG. 11;

FIG. 14 is a bottom plan view of the tapered cup of FIG. 11;

FIG. 15 is a cross-sectional elevation view of the tapered cup of FIG. 11 taken at line 15-15 of FIG. 11;

FIG. 16 is a front perspective view of a fourth embodiment of a tapered cup, showing our new design;

FIG. 17 is a front elevation view of the tapered cup of FIG. 16, the right, left and rear elevation views being the same as the front elevation view;

FIG. **90** is a cross-sectional elevation view of the tapered cup of FIG. **86** taken at line **90-90** of FIG. **86**.

The broken lines show portions of the tapered cup that form no part of the claimed design. The dashed and arrowed lines shown on either side of the perspective views show cross-sectional indicia and form no part of the claimed design.

1 Claim, 72 Drawing Sheets

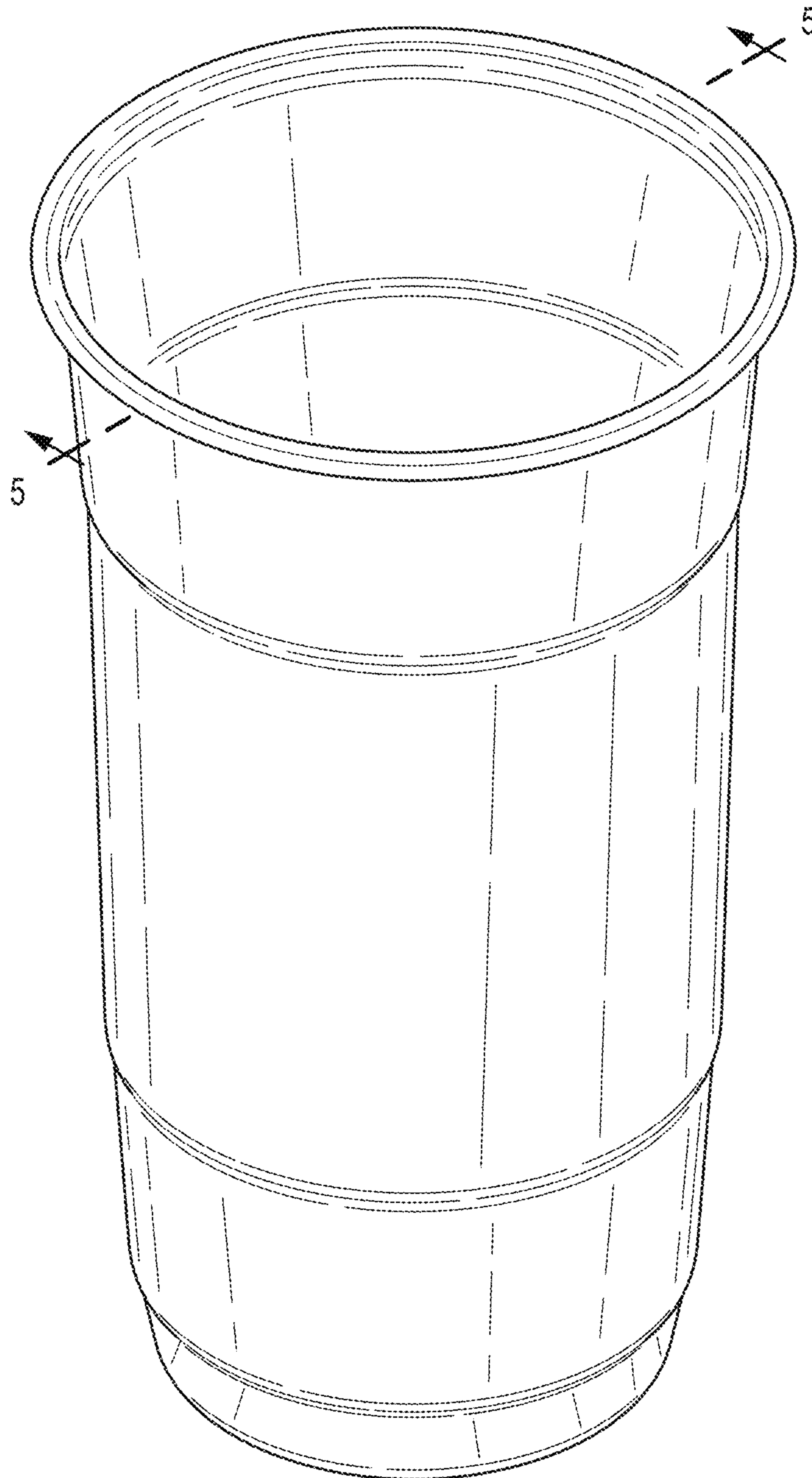


FIG.1

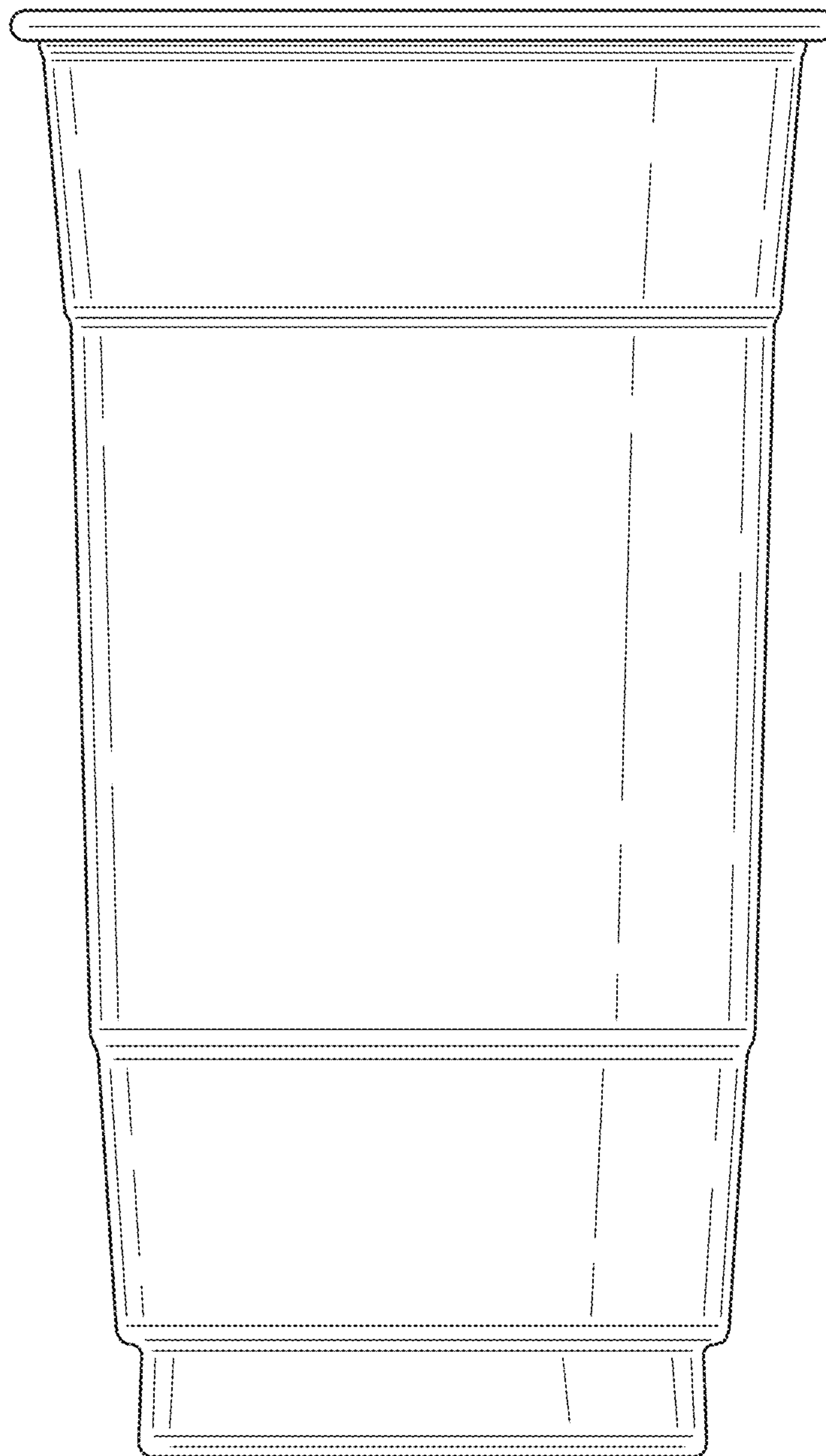


FIG.2

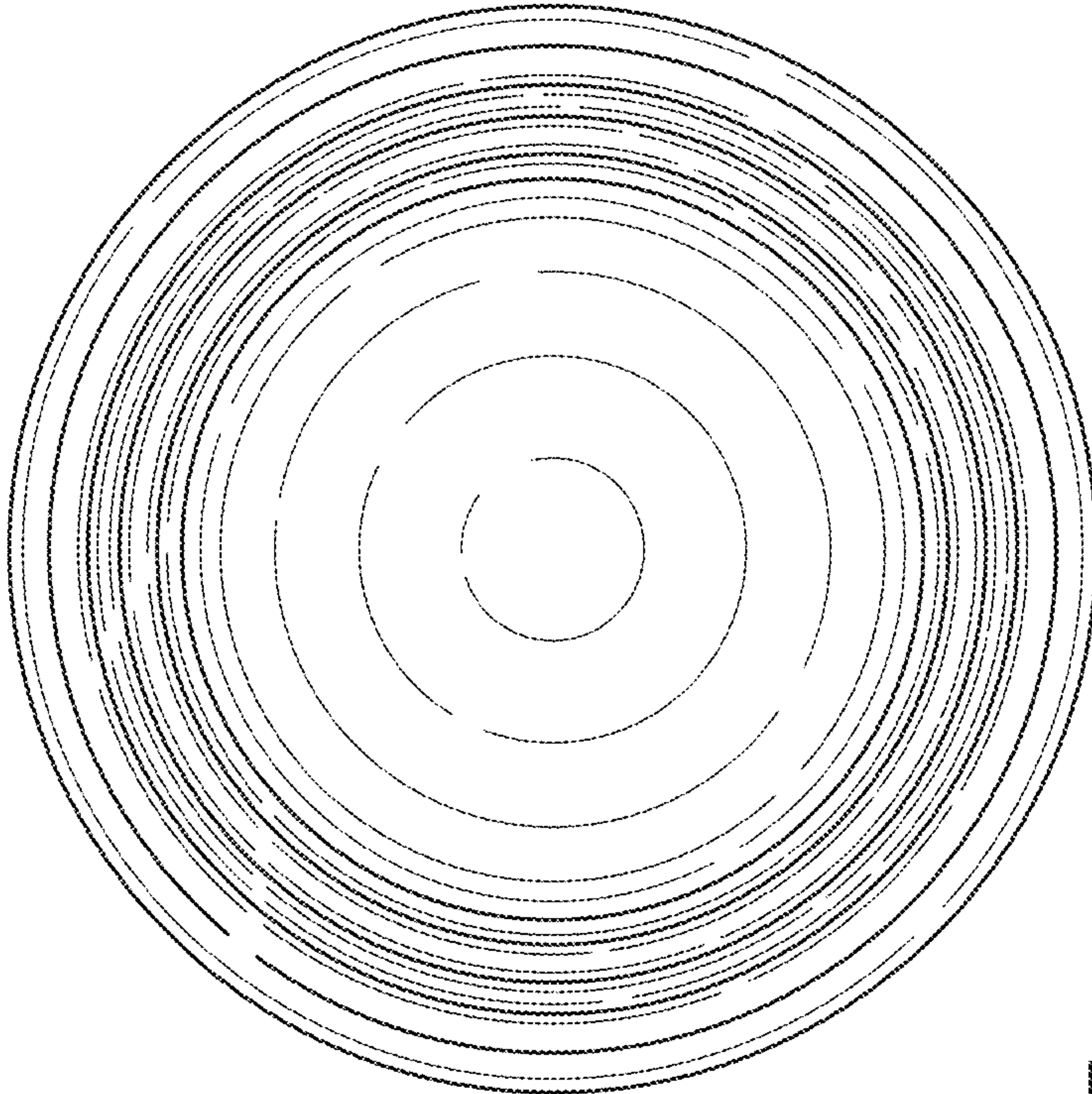


FIG.3

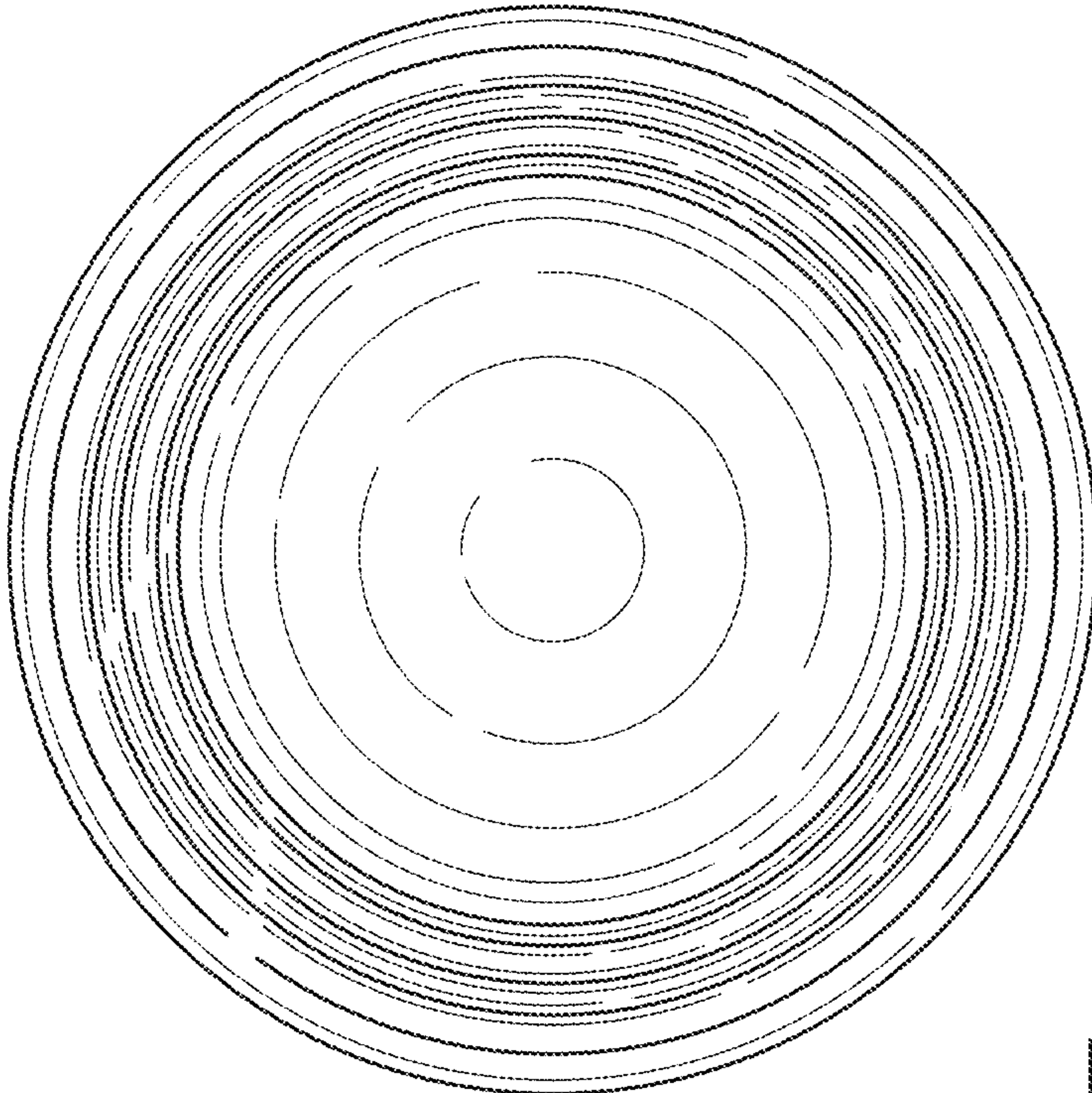


FIG.4

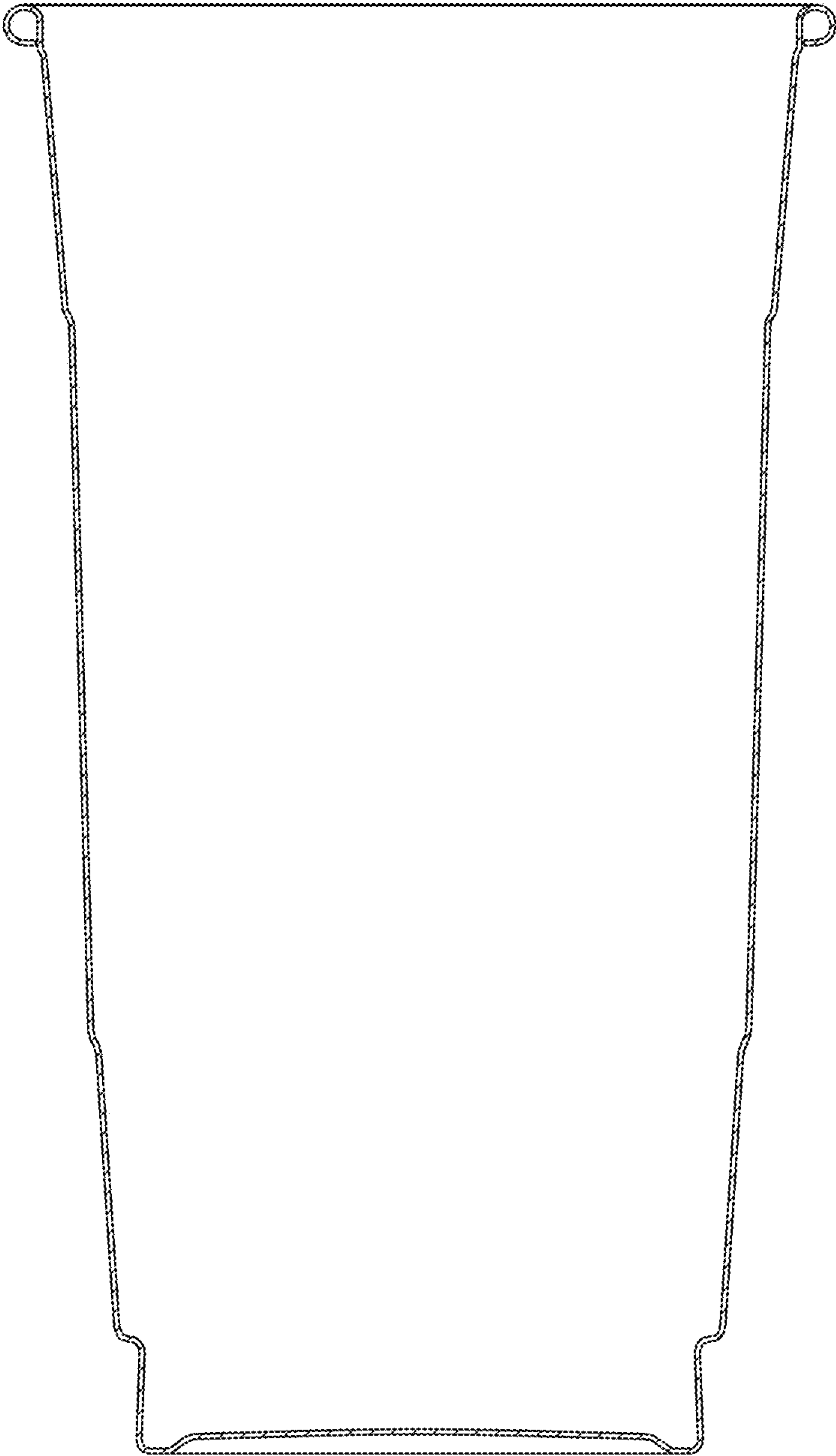


FIG.5

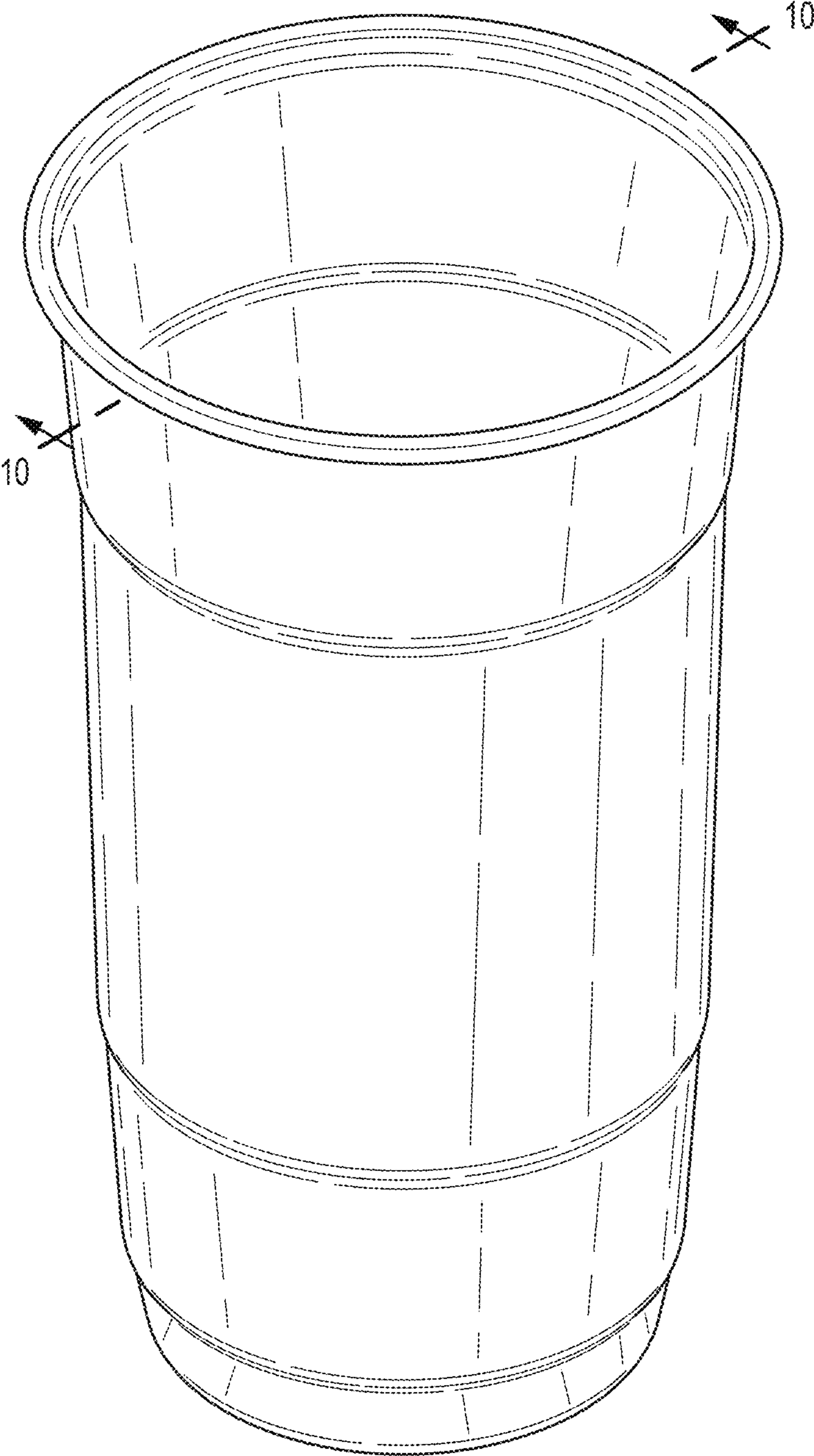


FIG.6

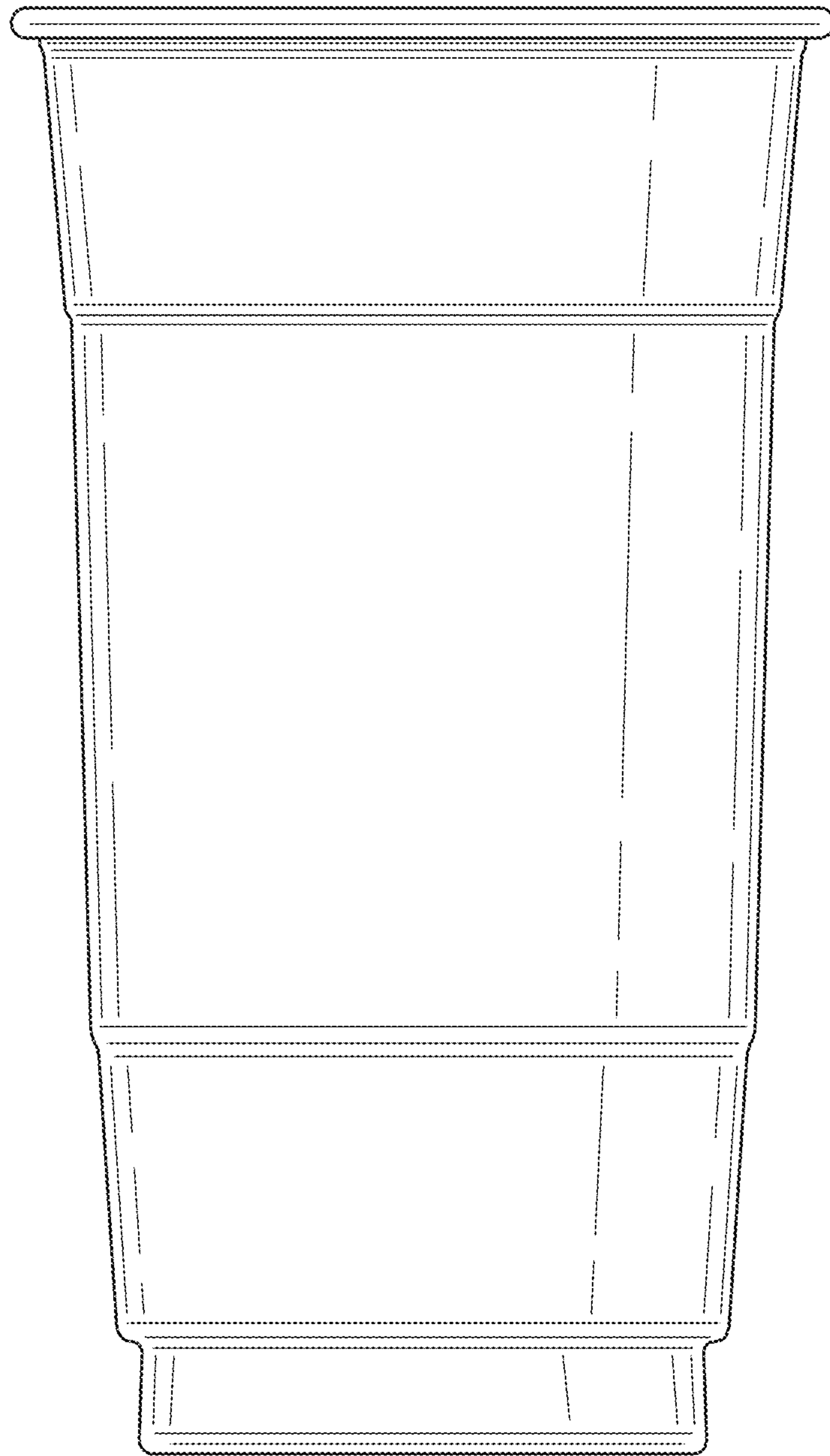


FIG.7

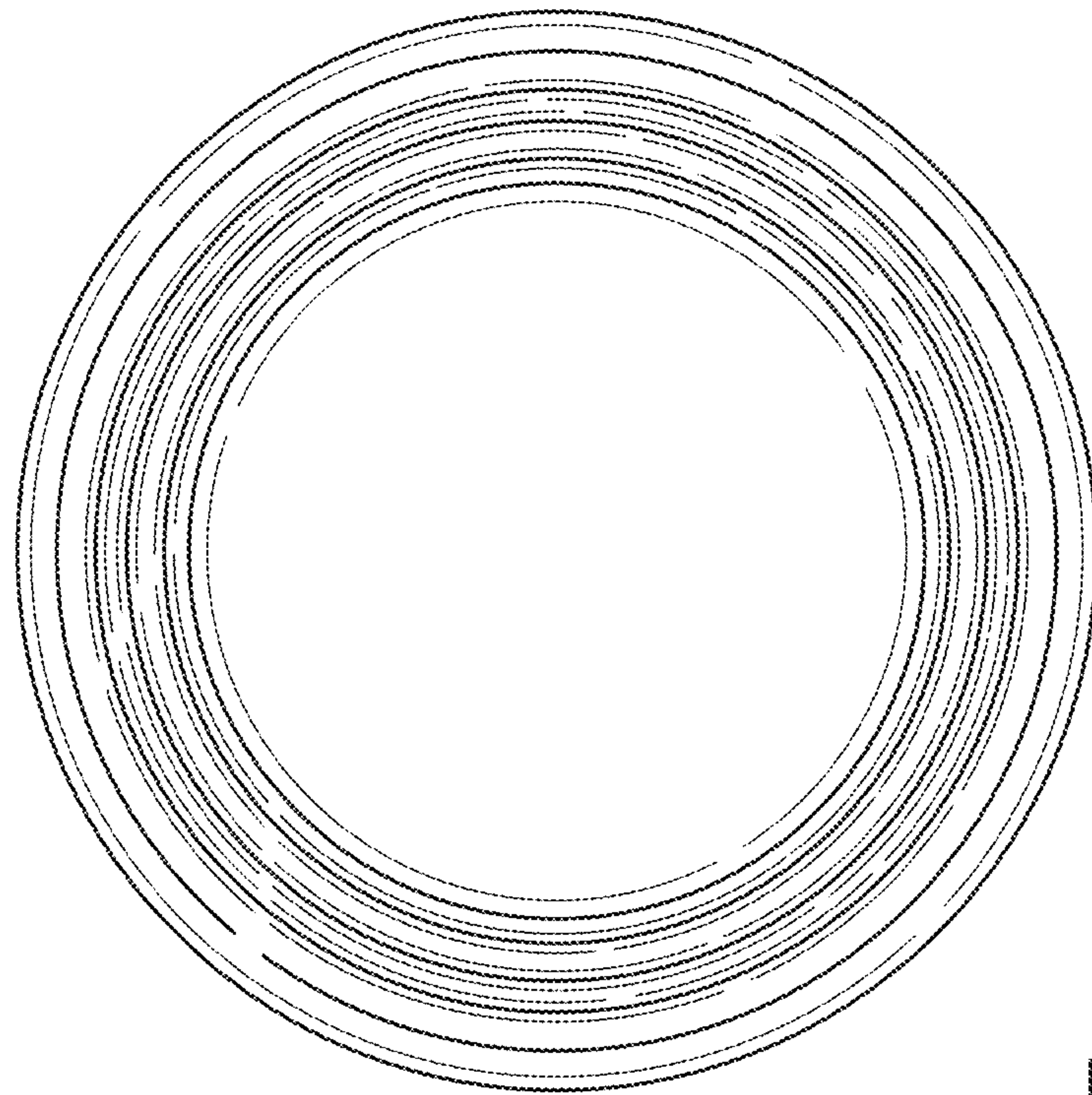


FIG. 8

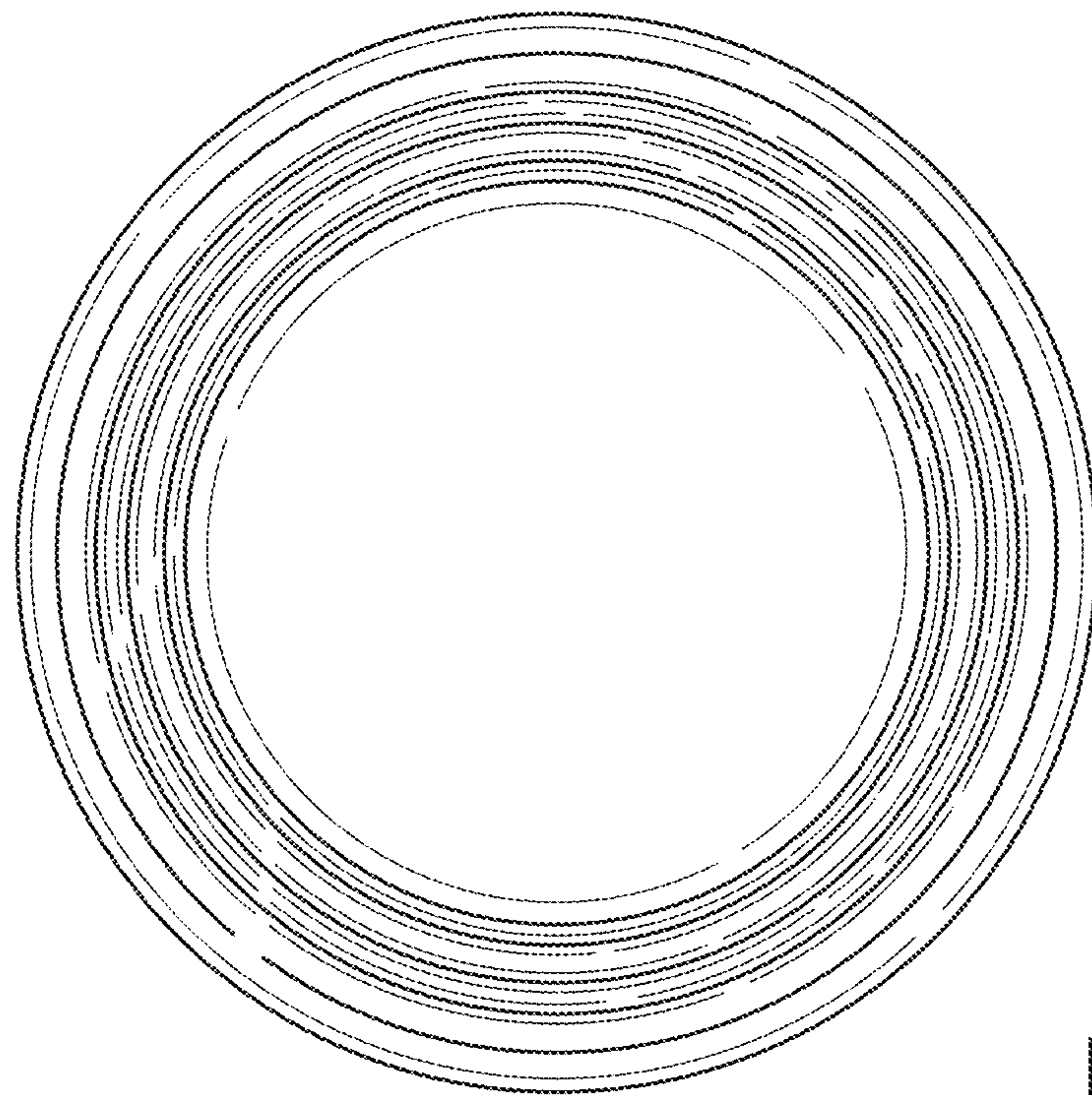


FIG. 9

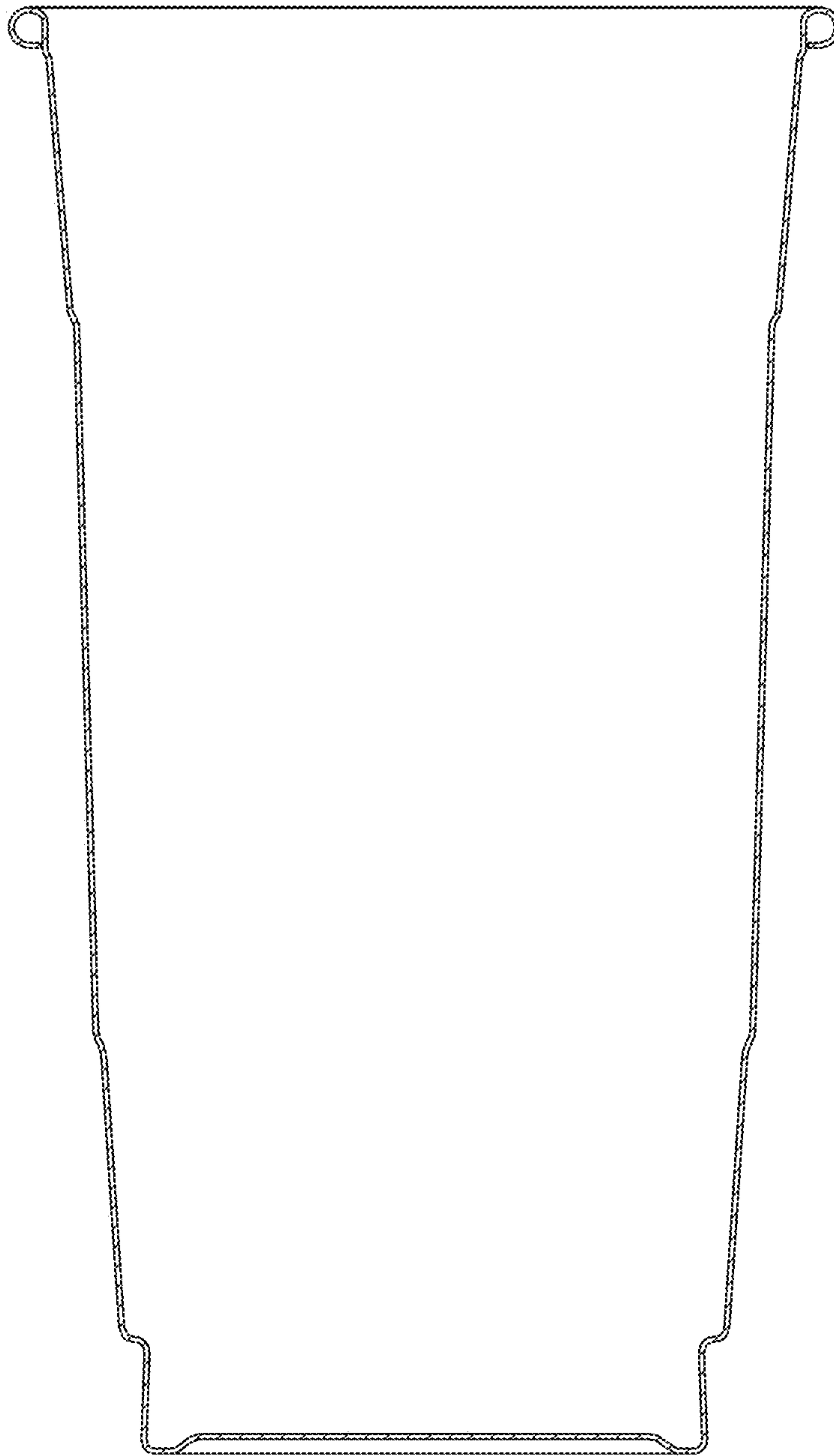


FIG.10

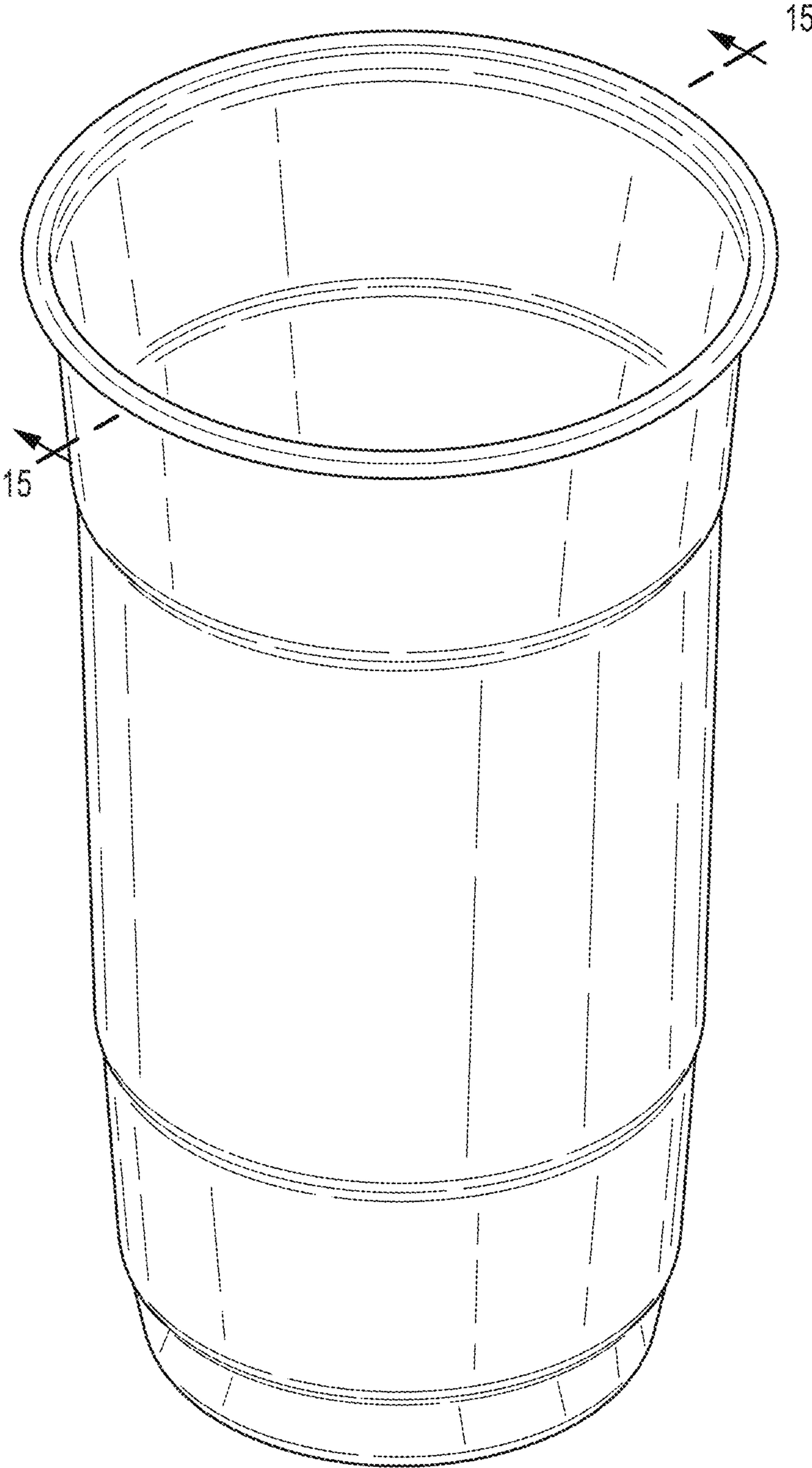


FIG.11

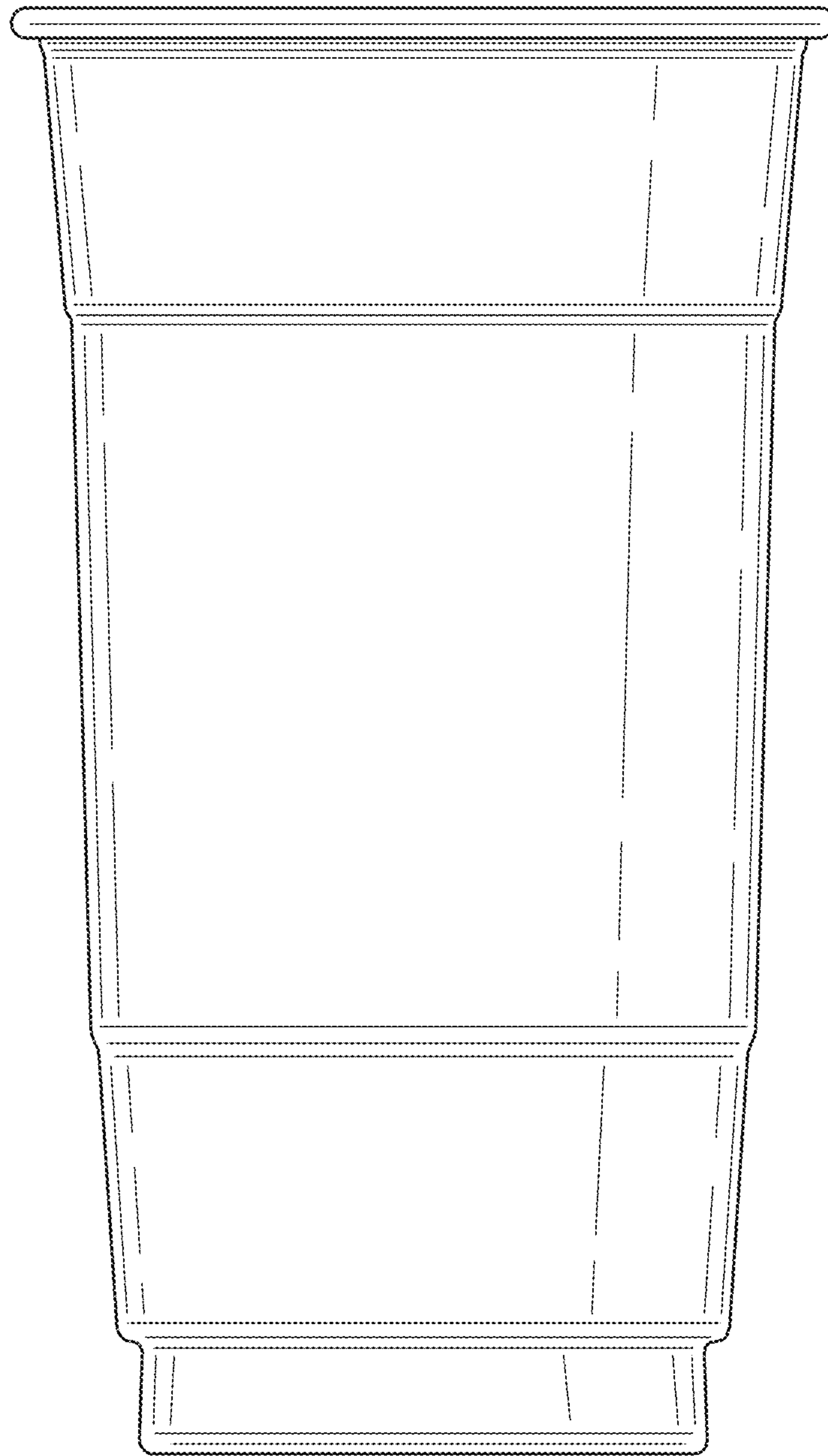


FIG.12

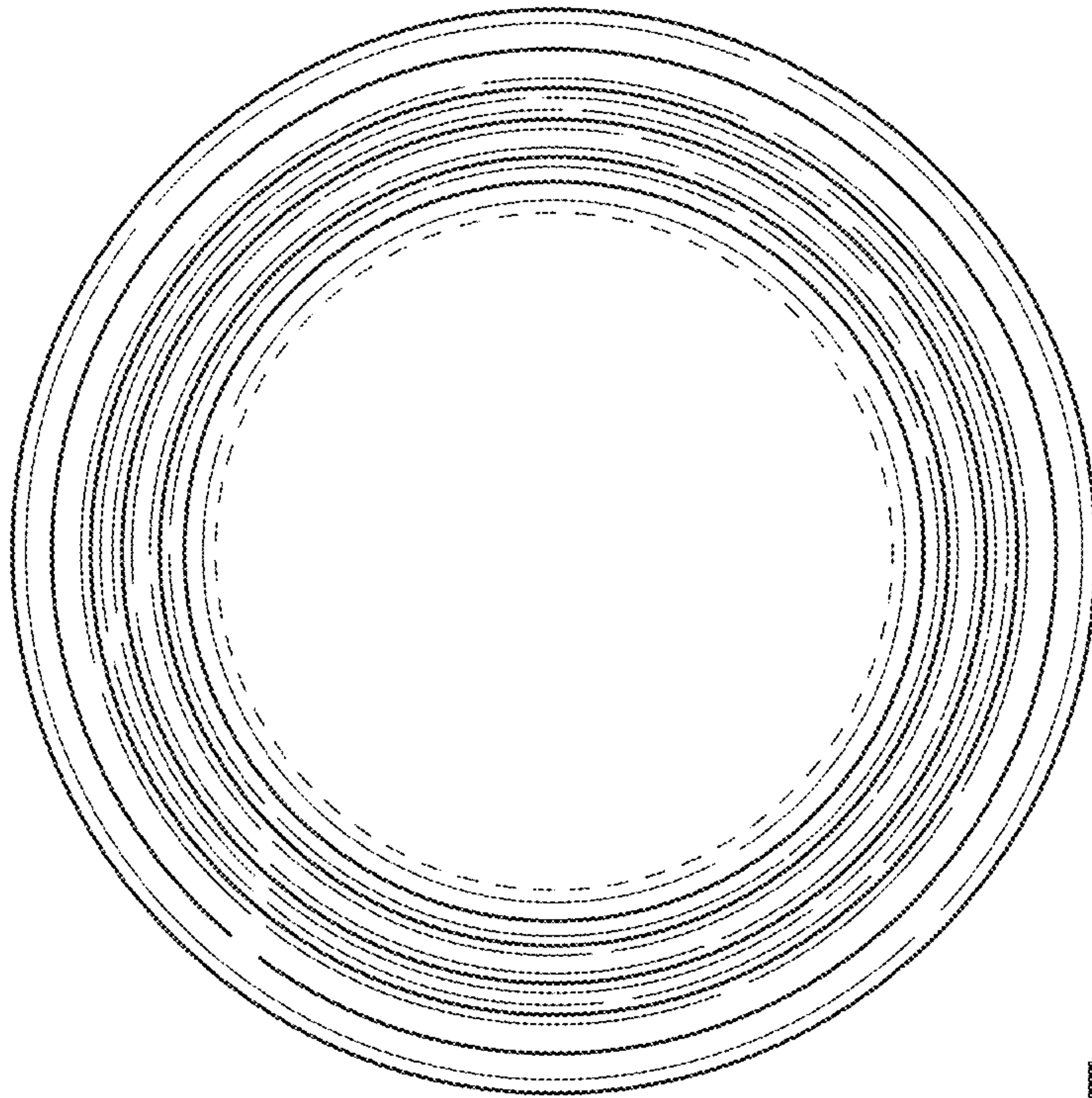


FIG.13

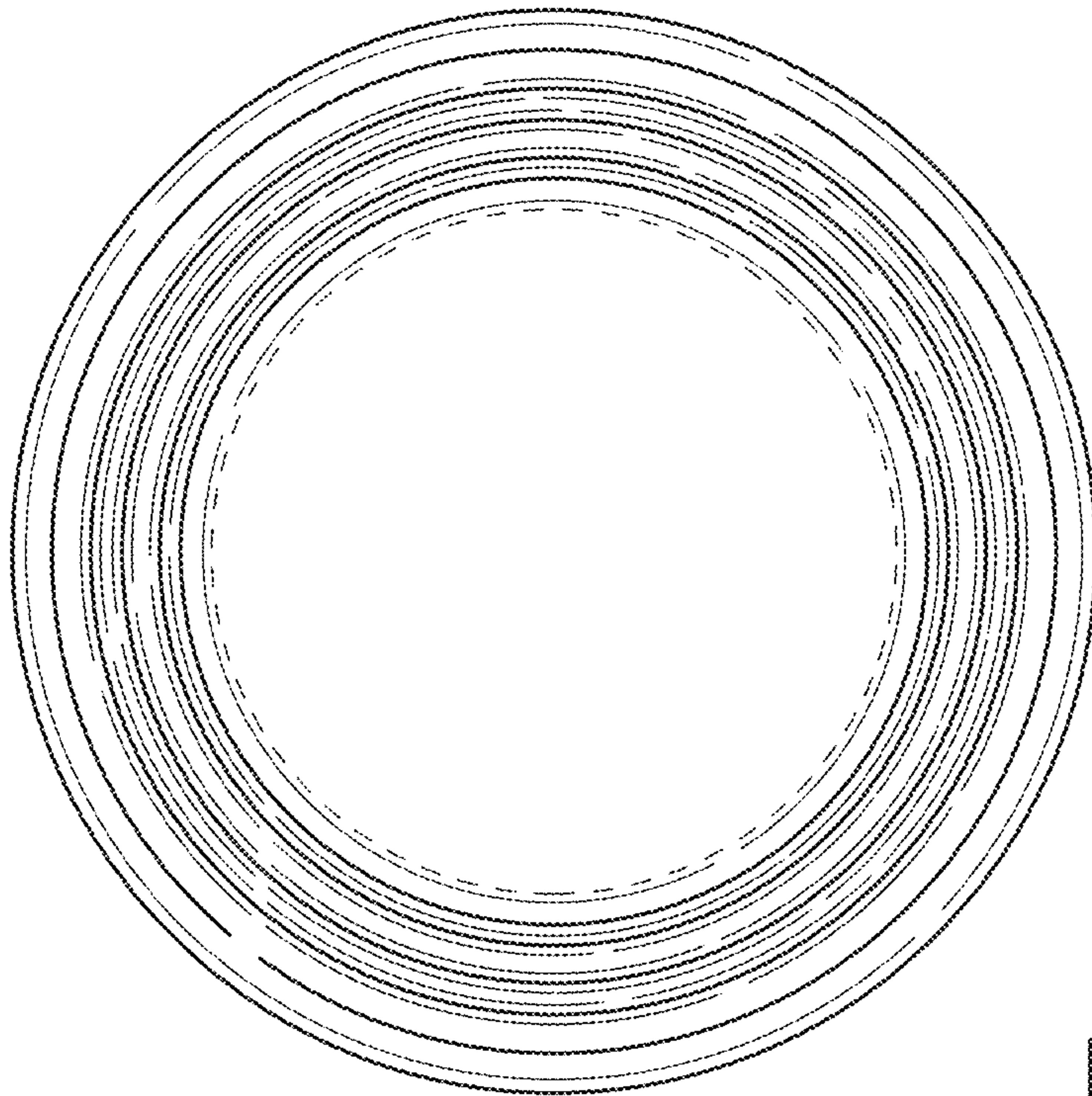


FIG.14

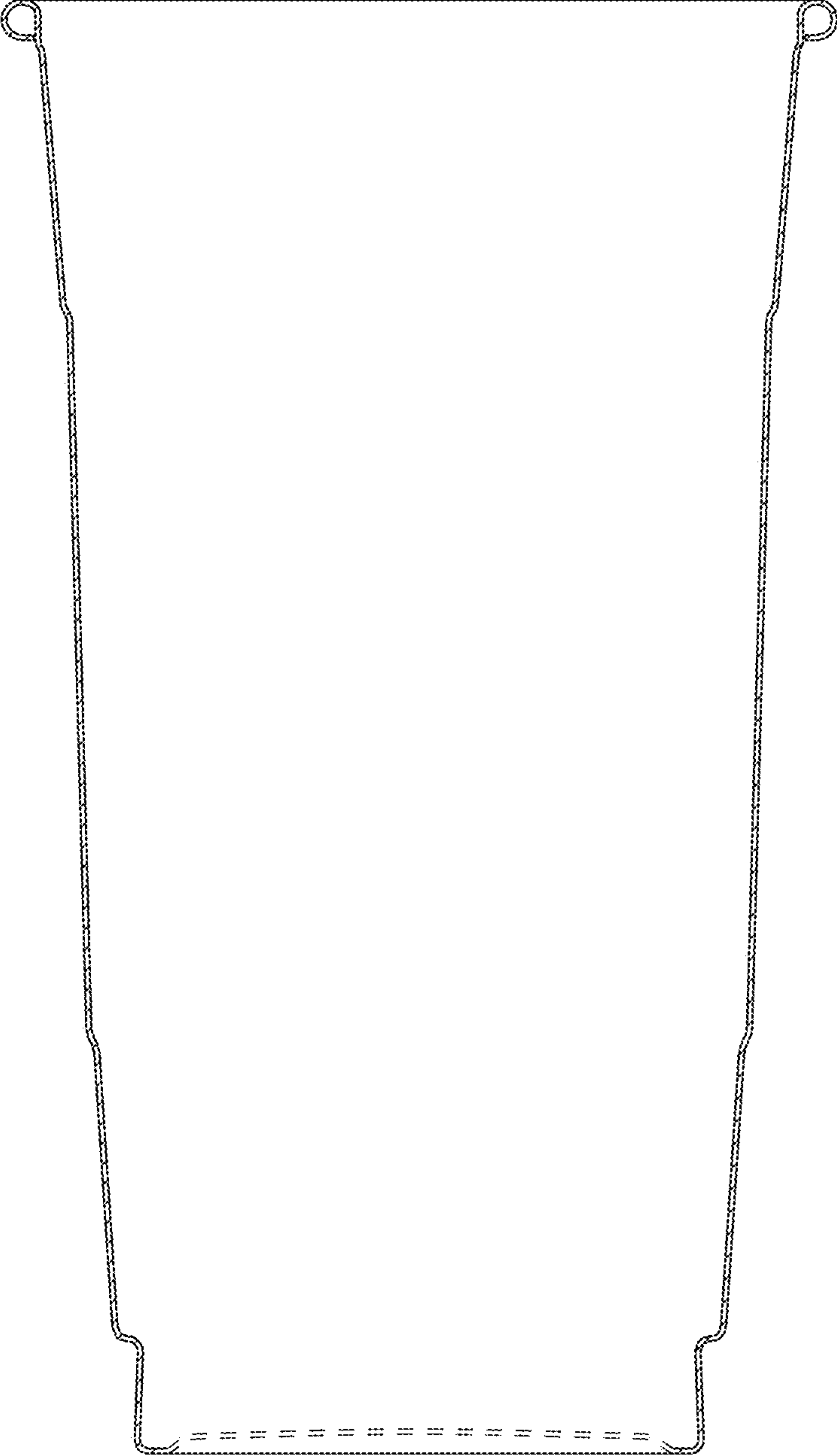


FIG. 15

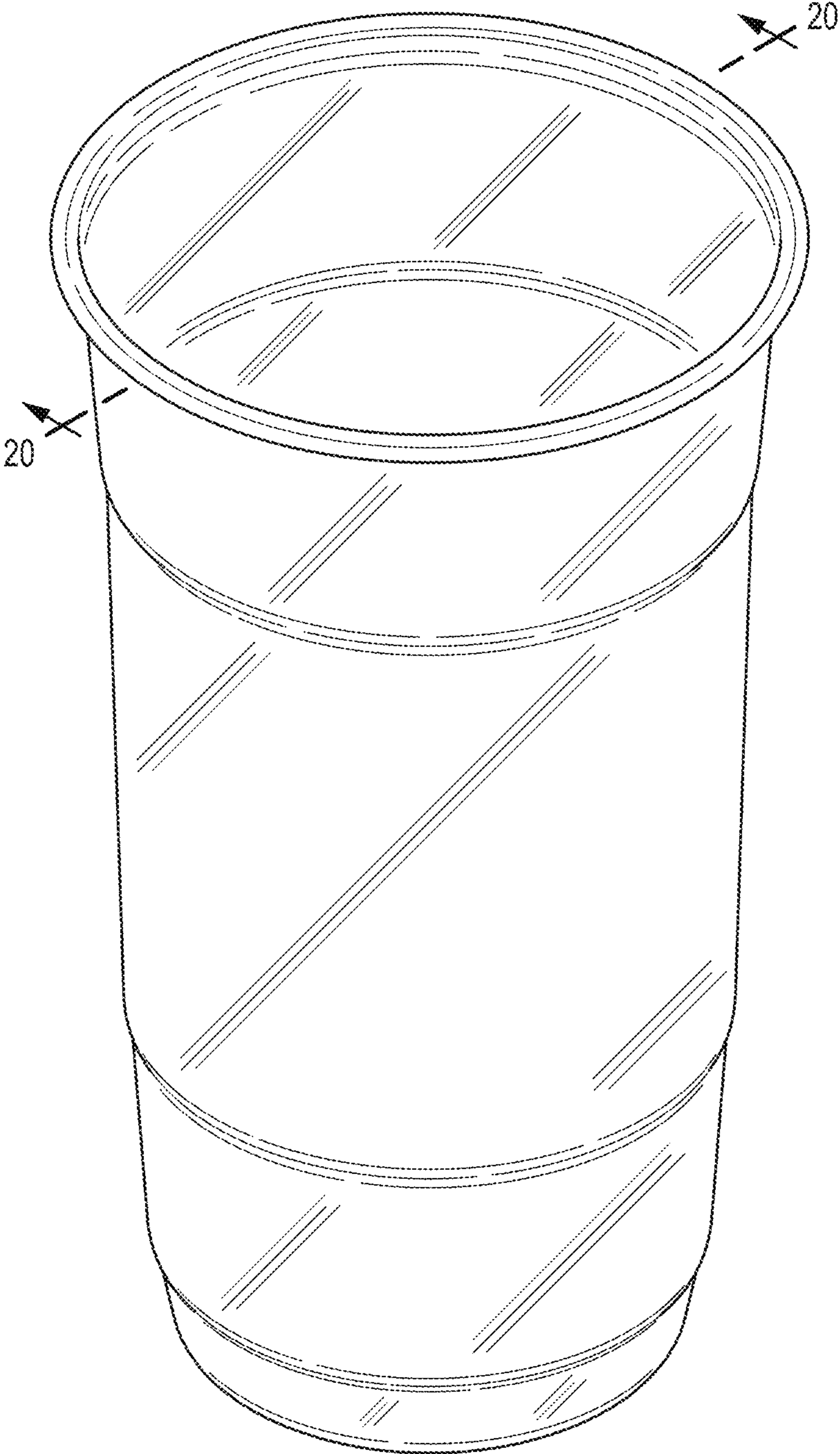


FIG.16

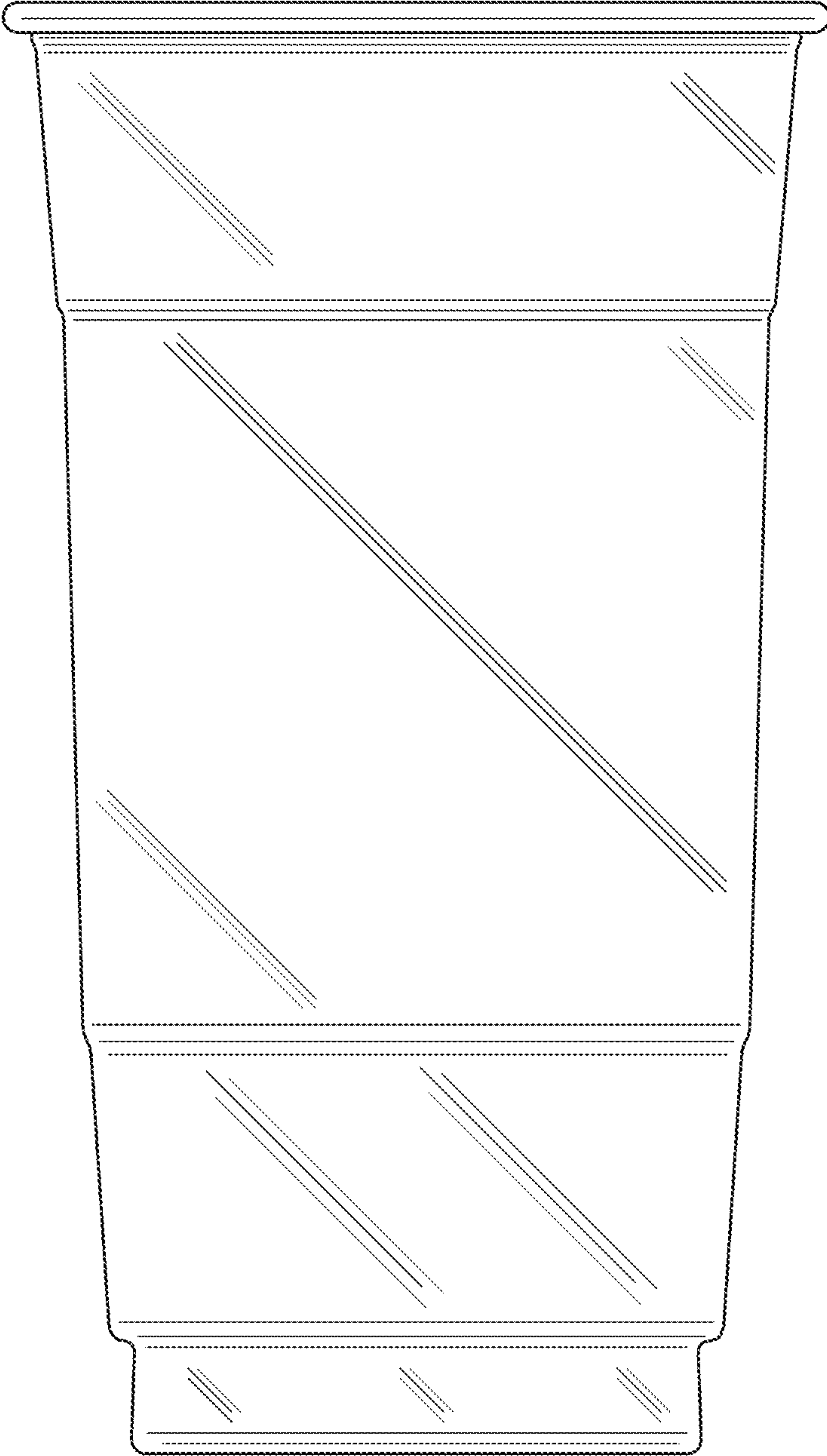


FIG.17

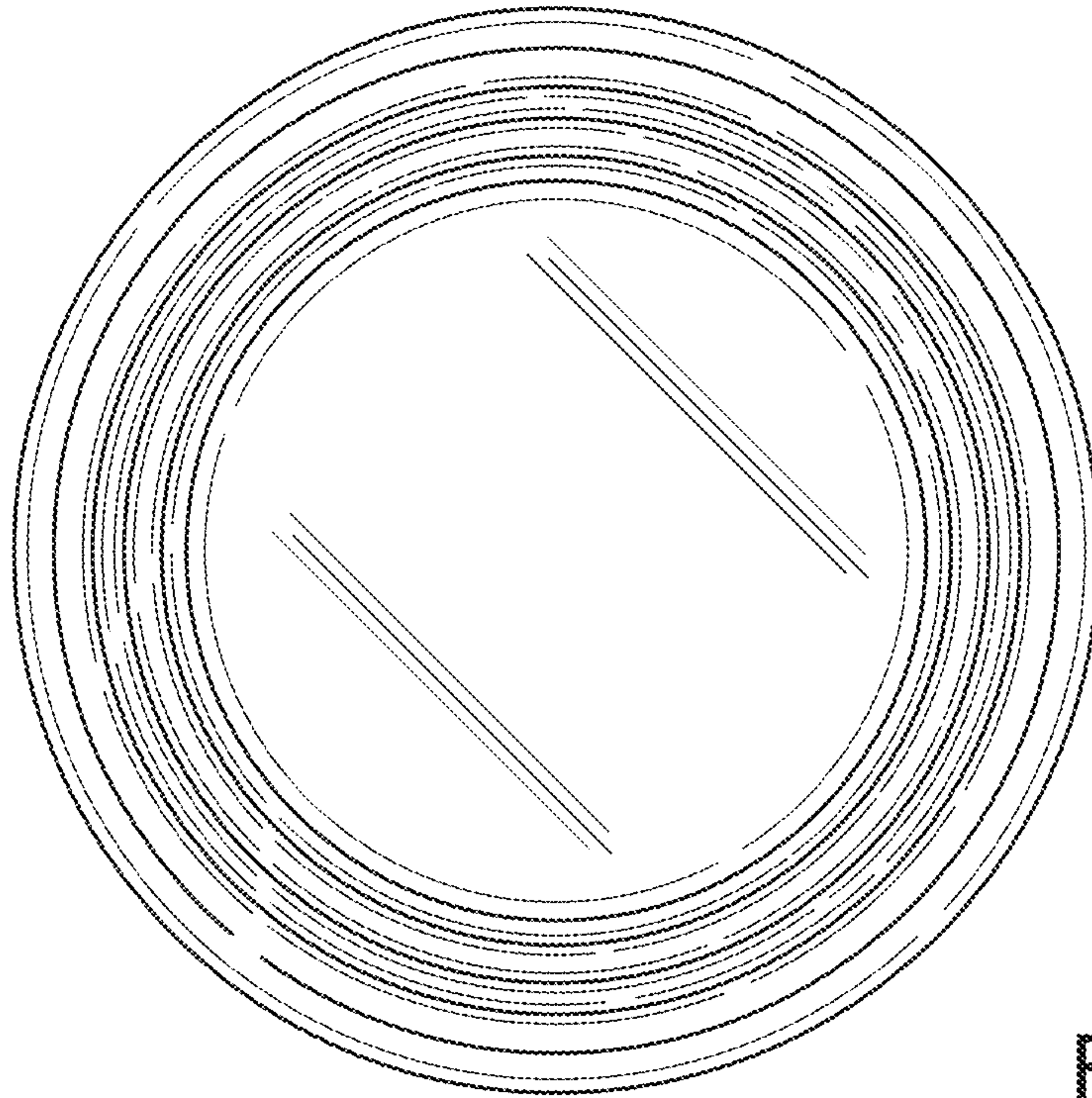


FIG. 18

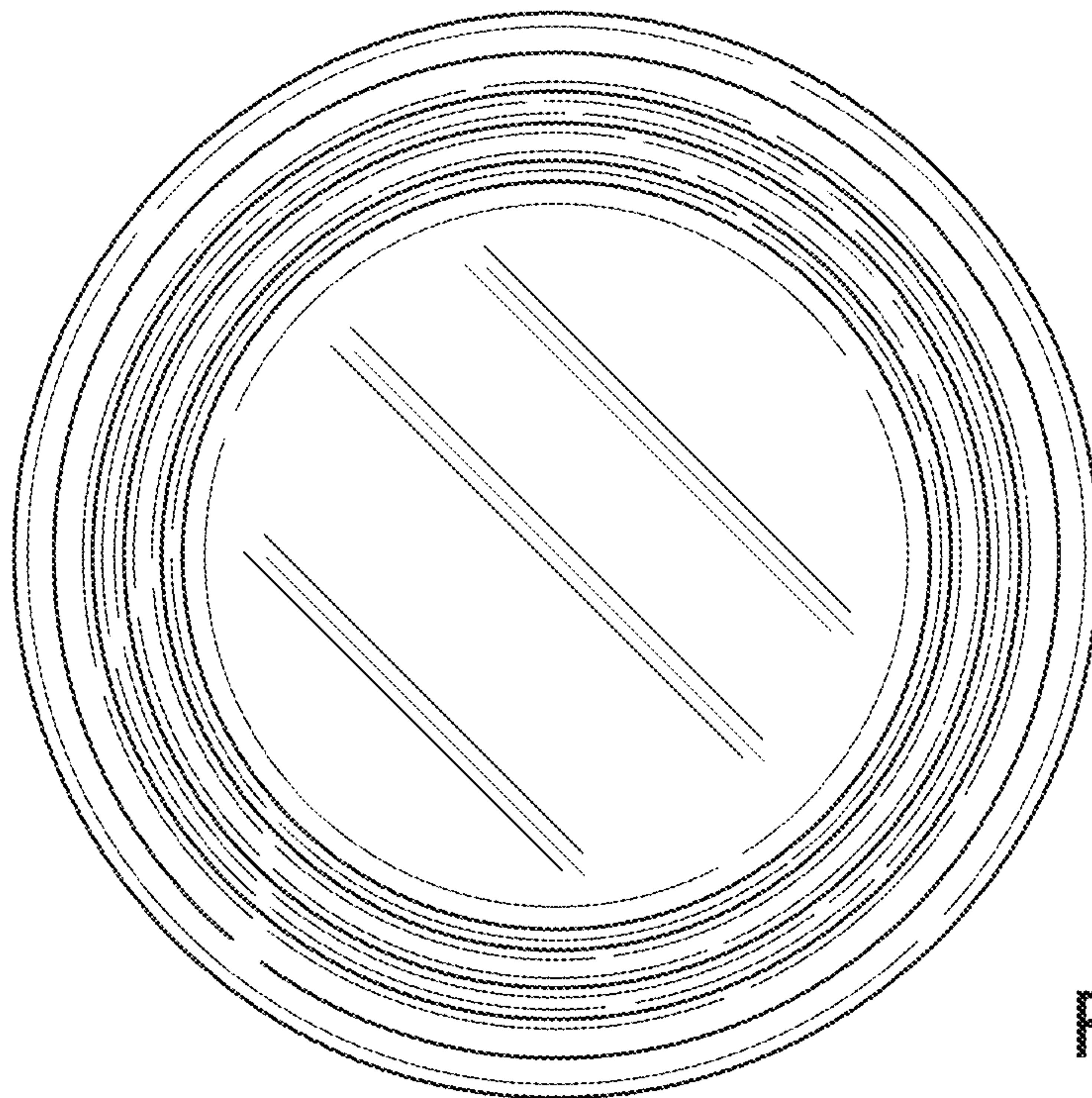


FIG. 19

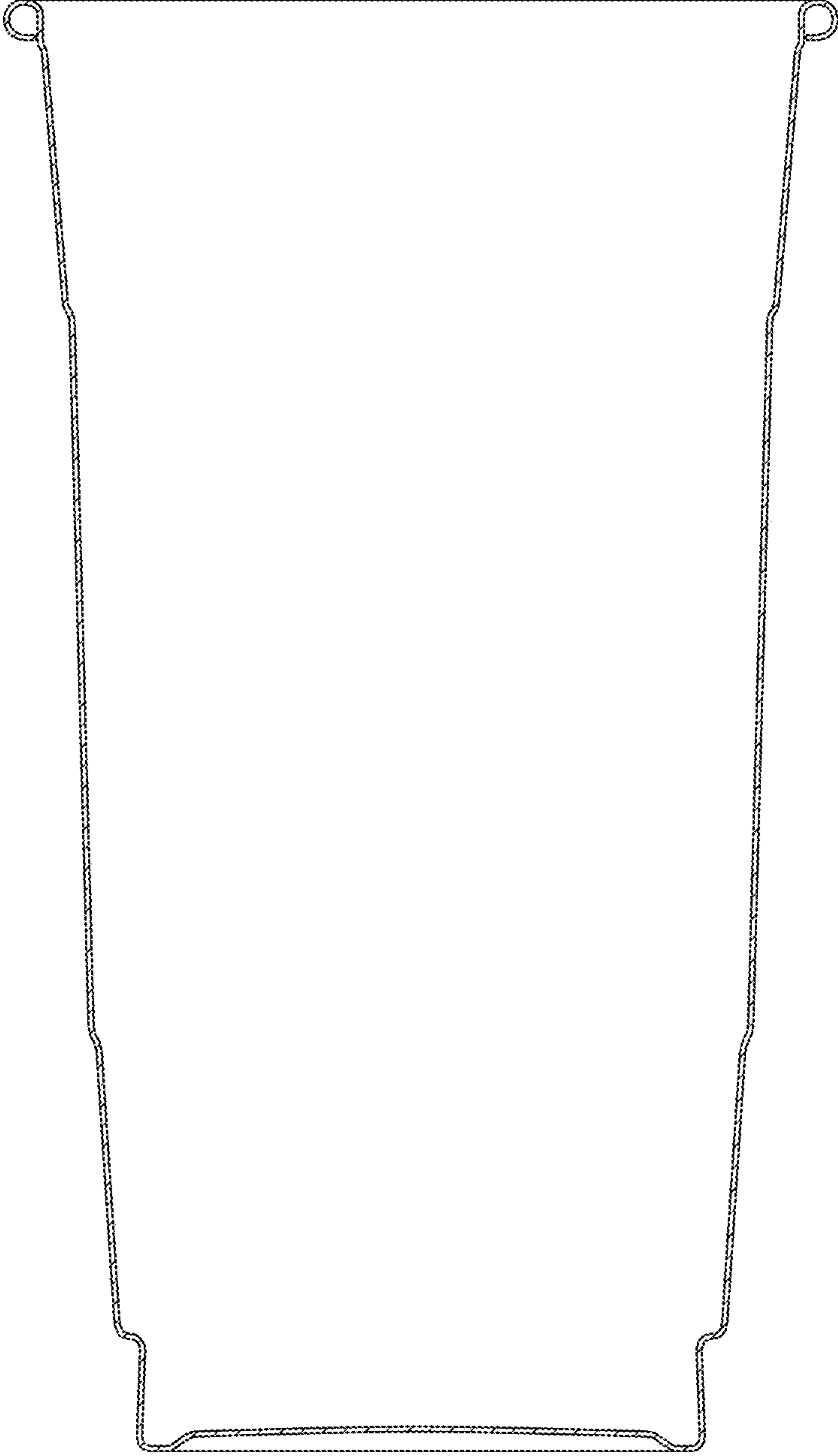


FIG.20

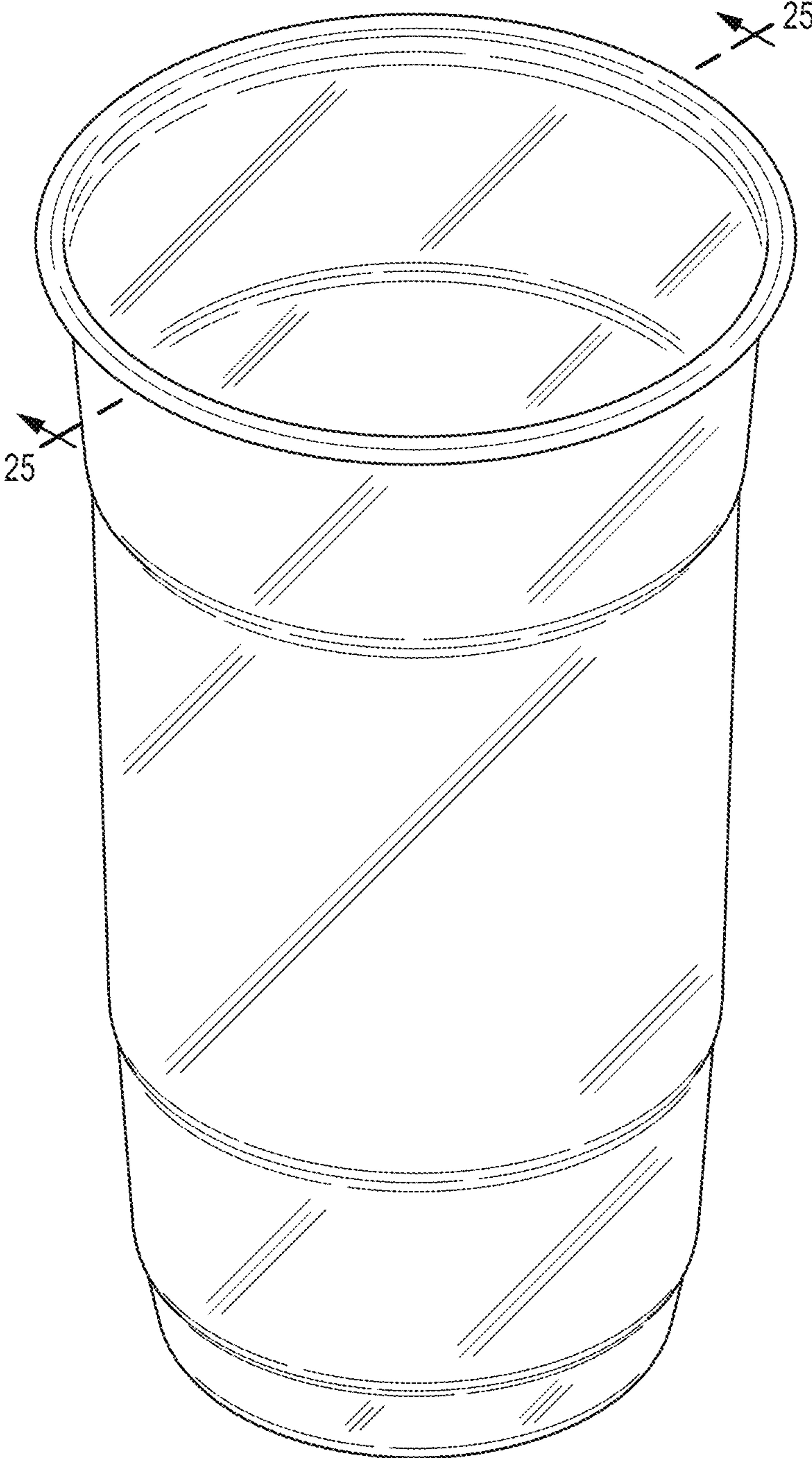


FIG.21

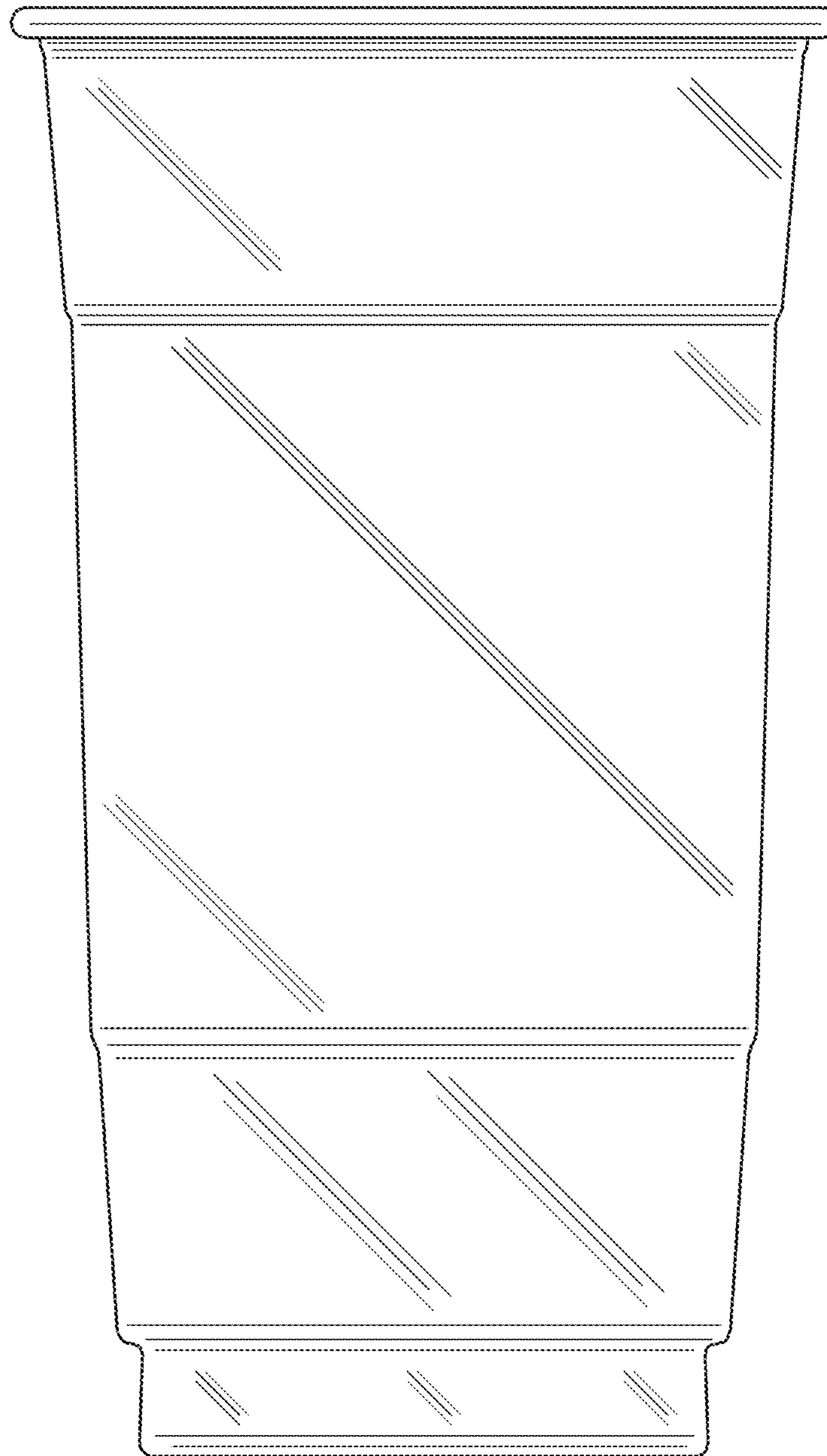


FIG.22

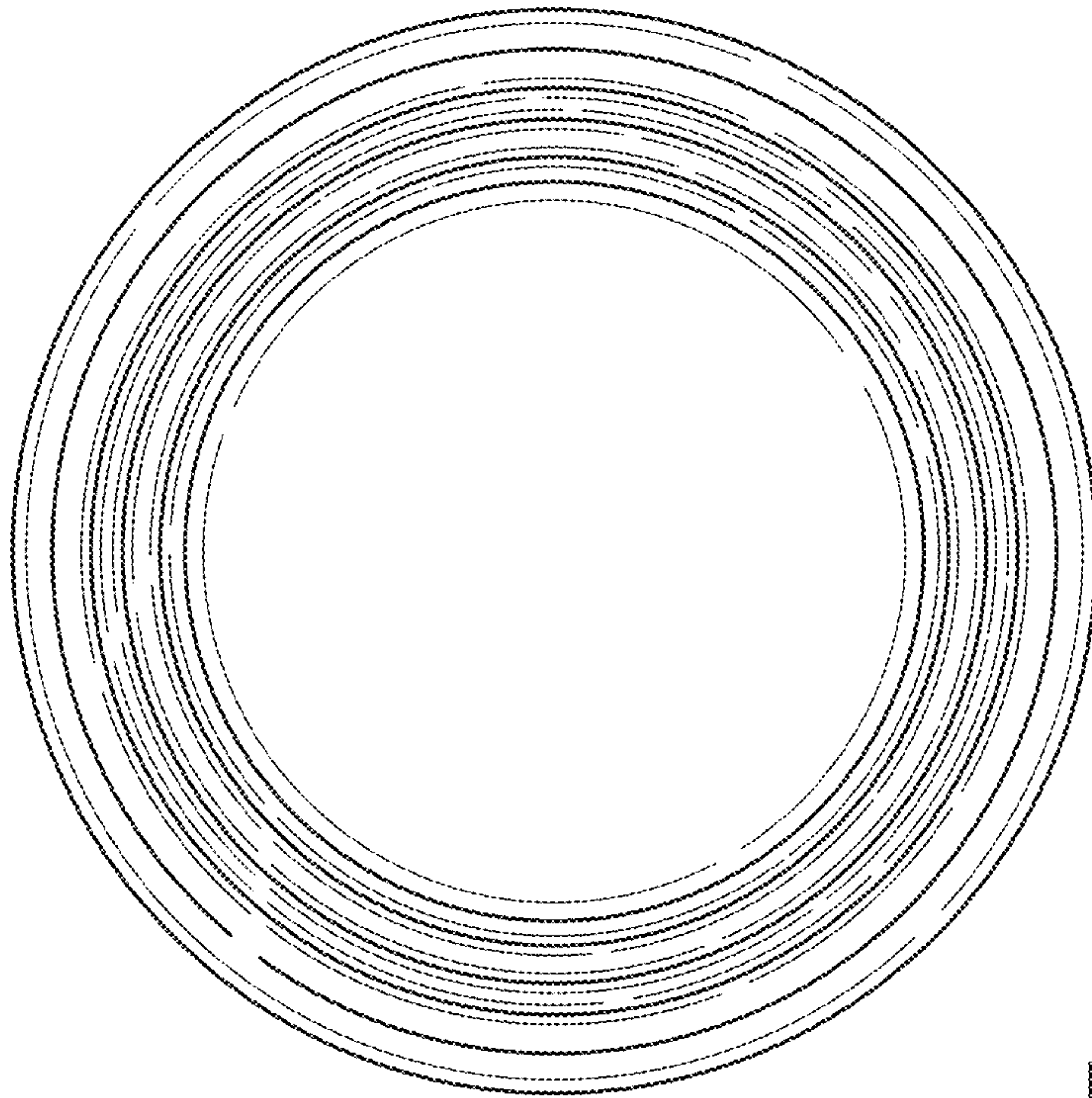


FIG. 23

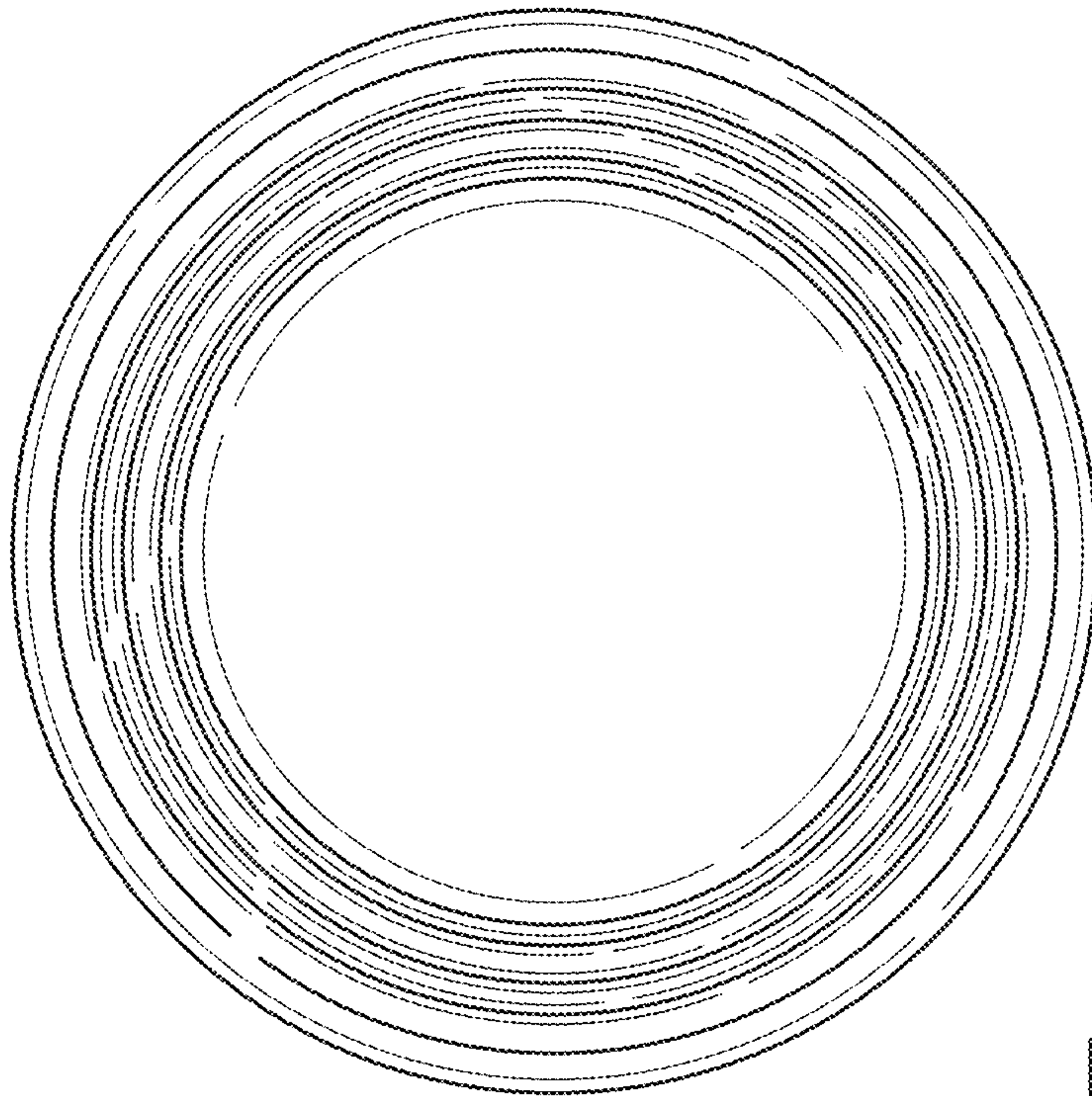


FIG. 24

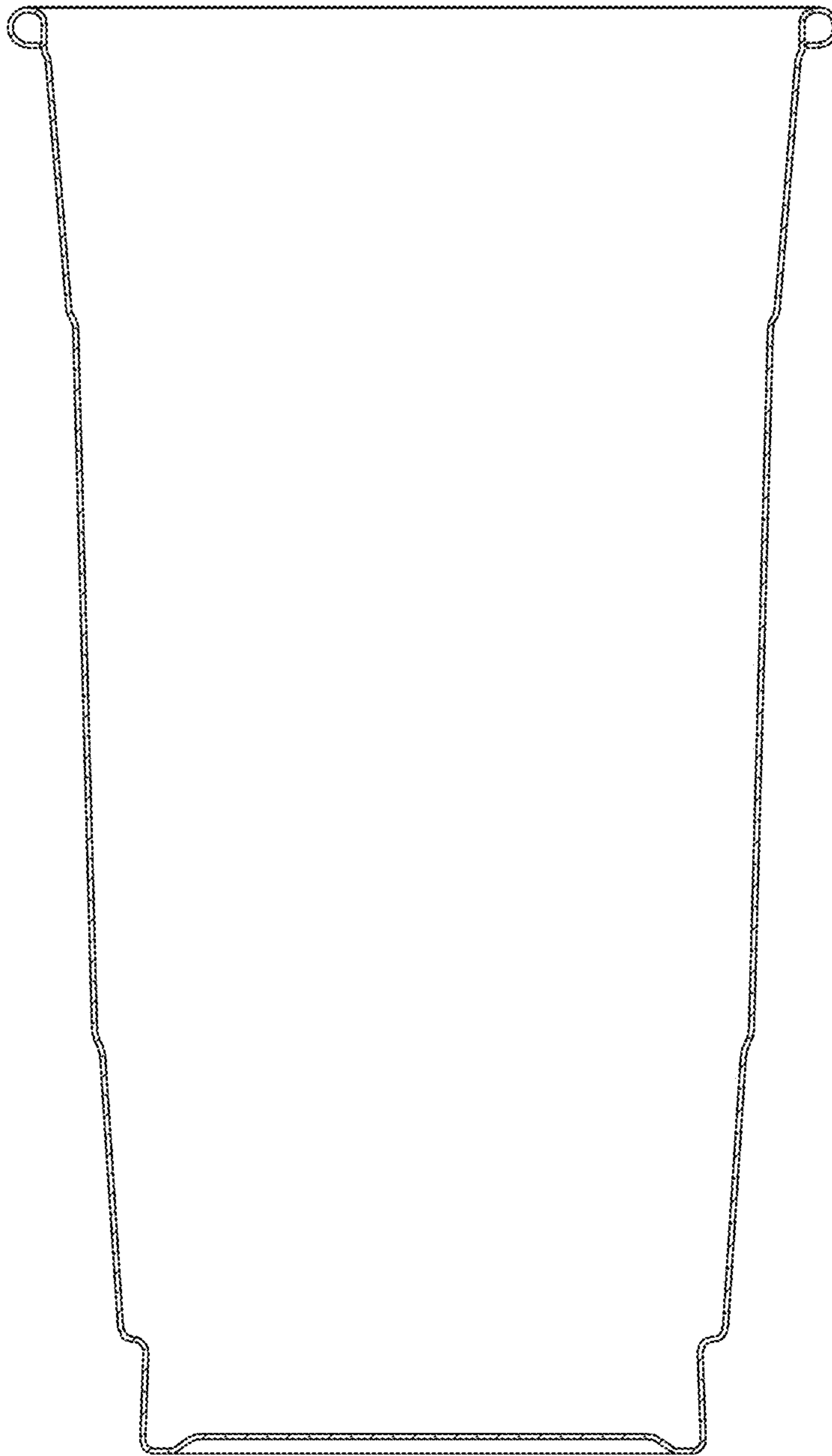


FIG.25

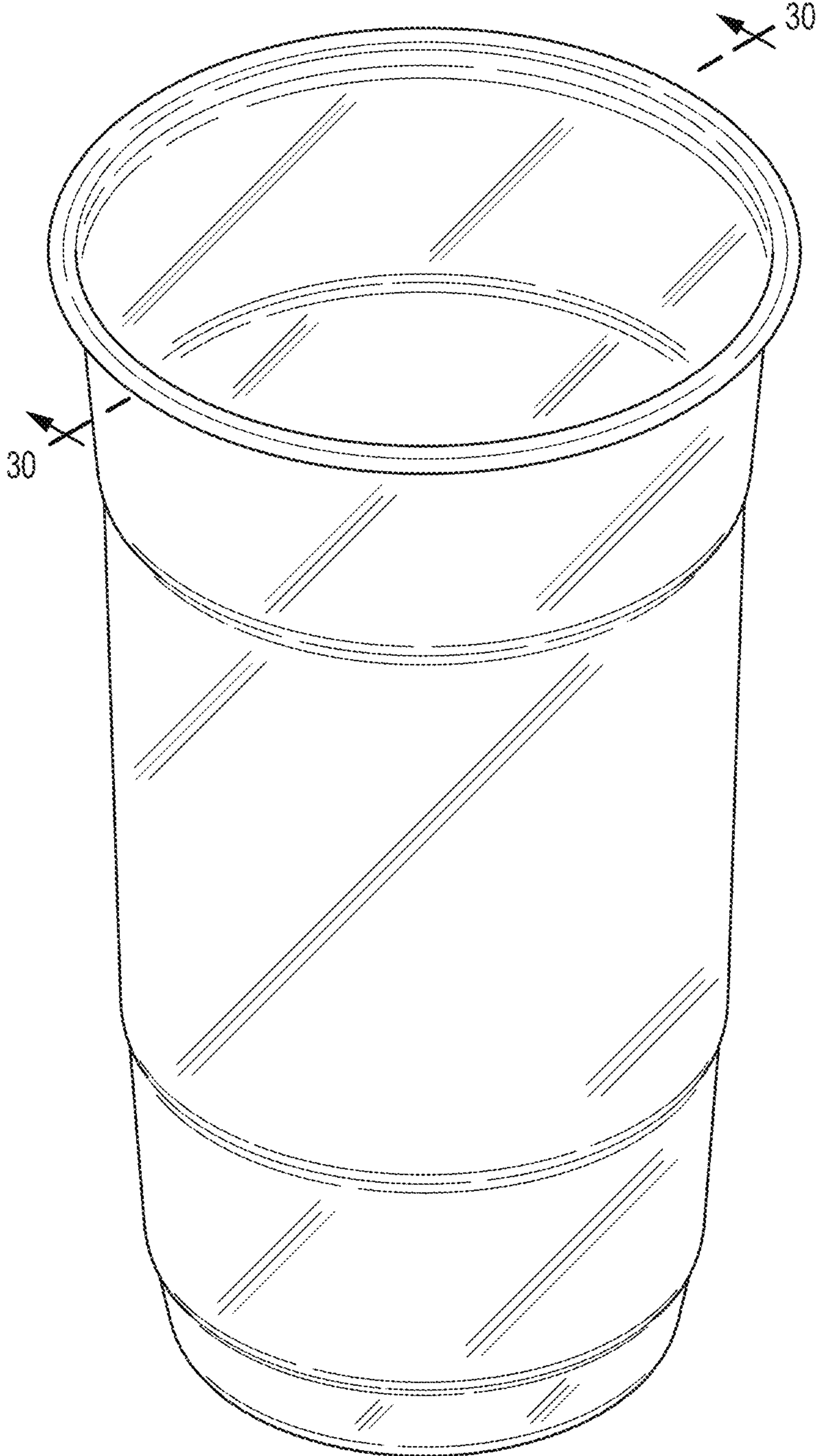


FIG.26

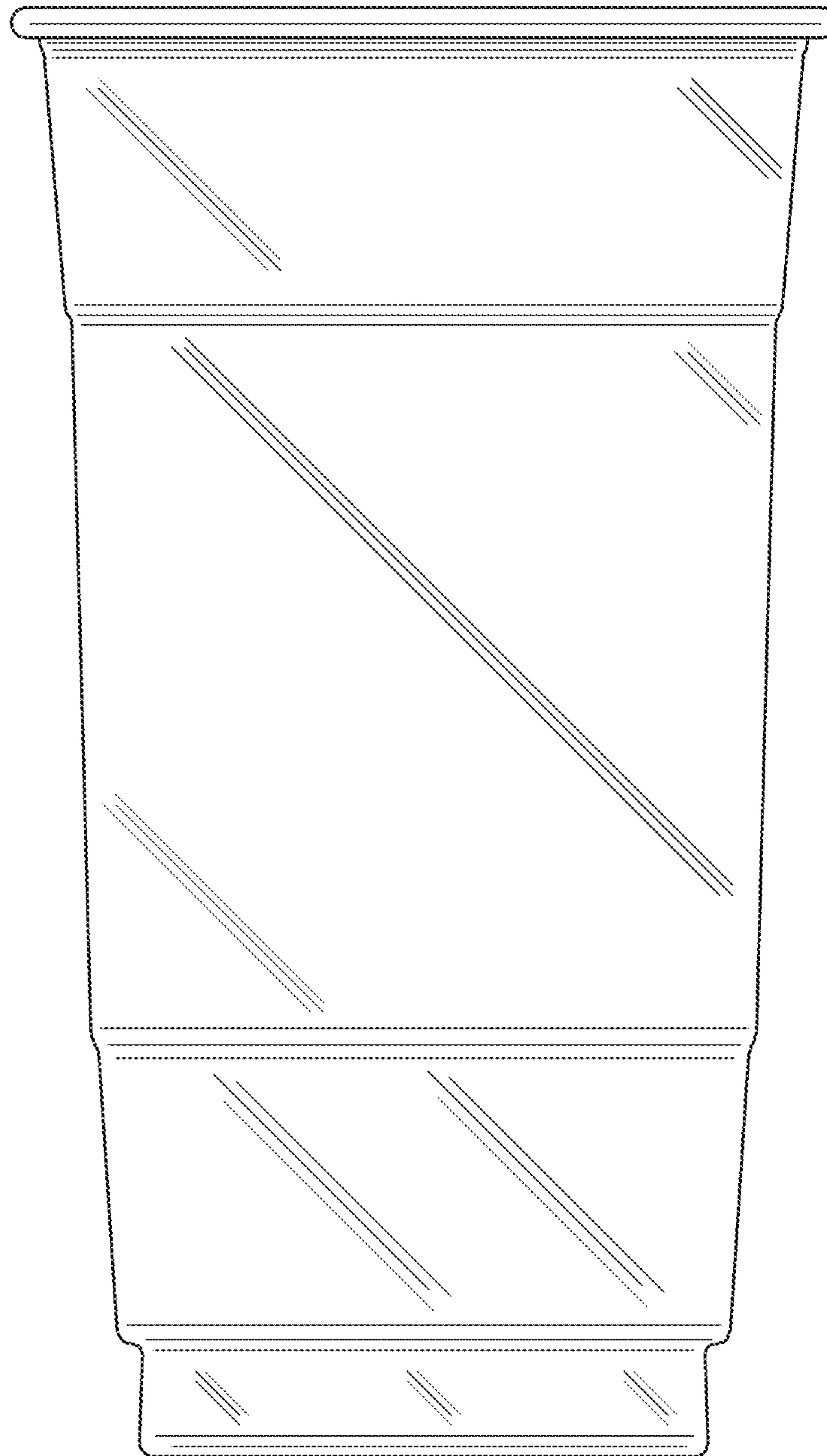


FIG.27

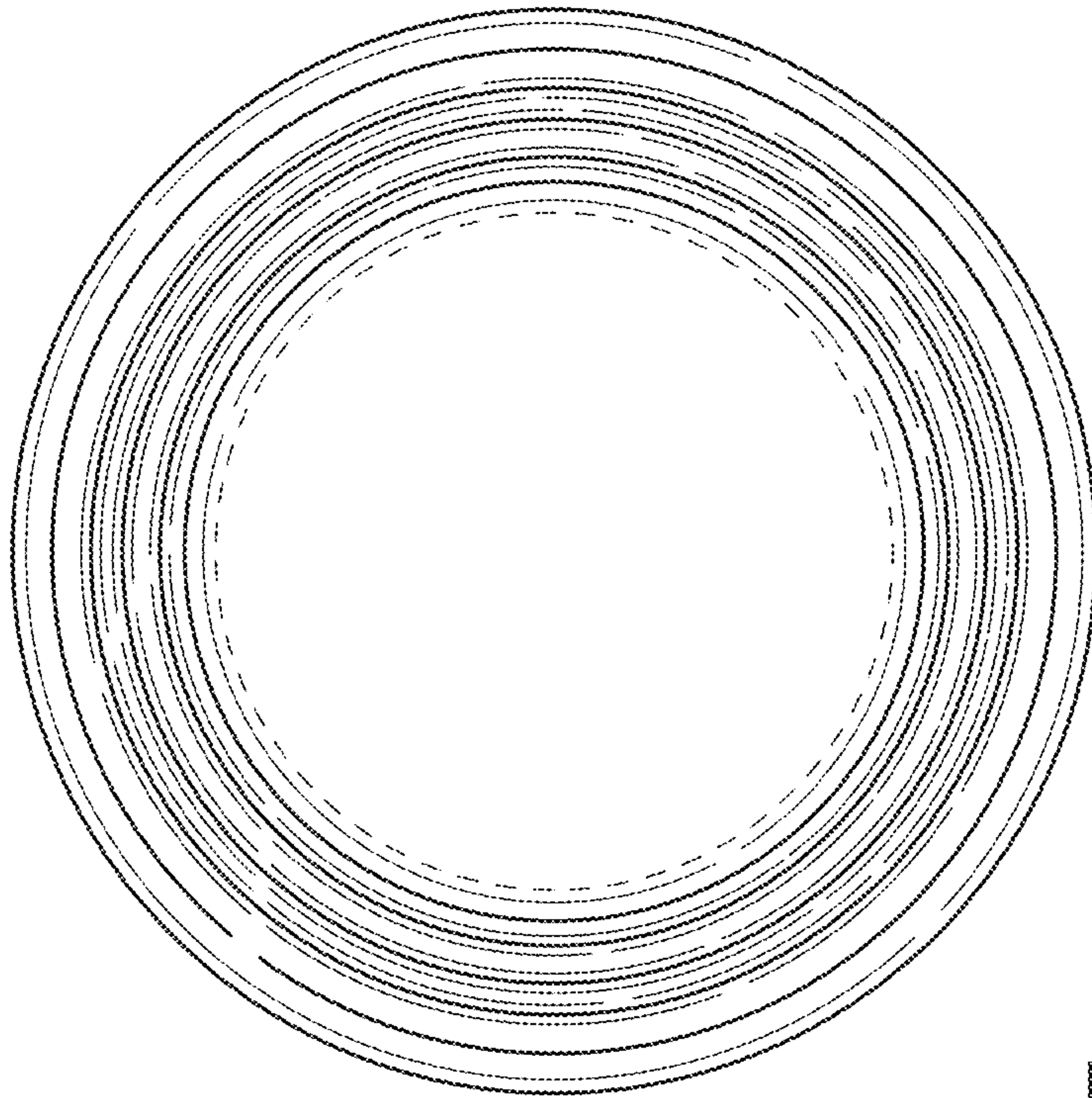


FIG.28

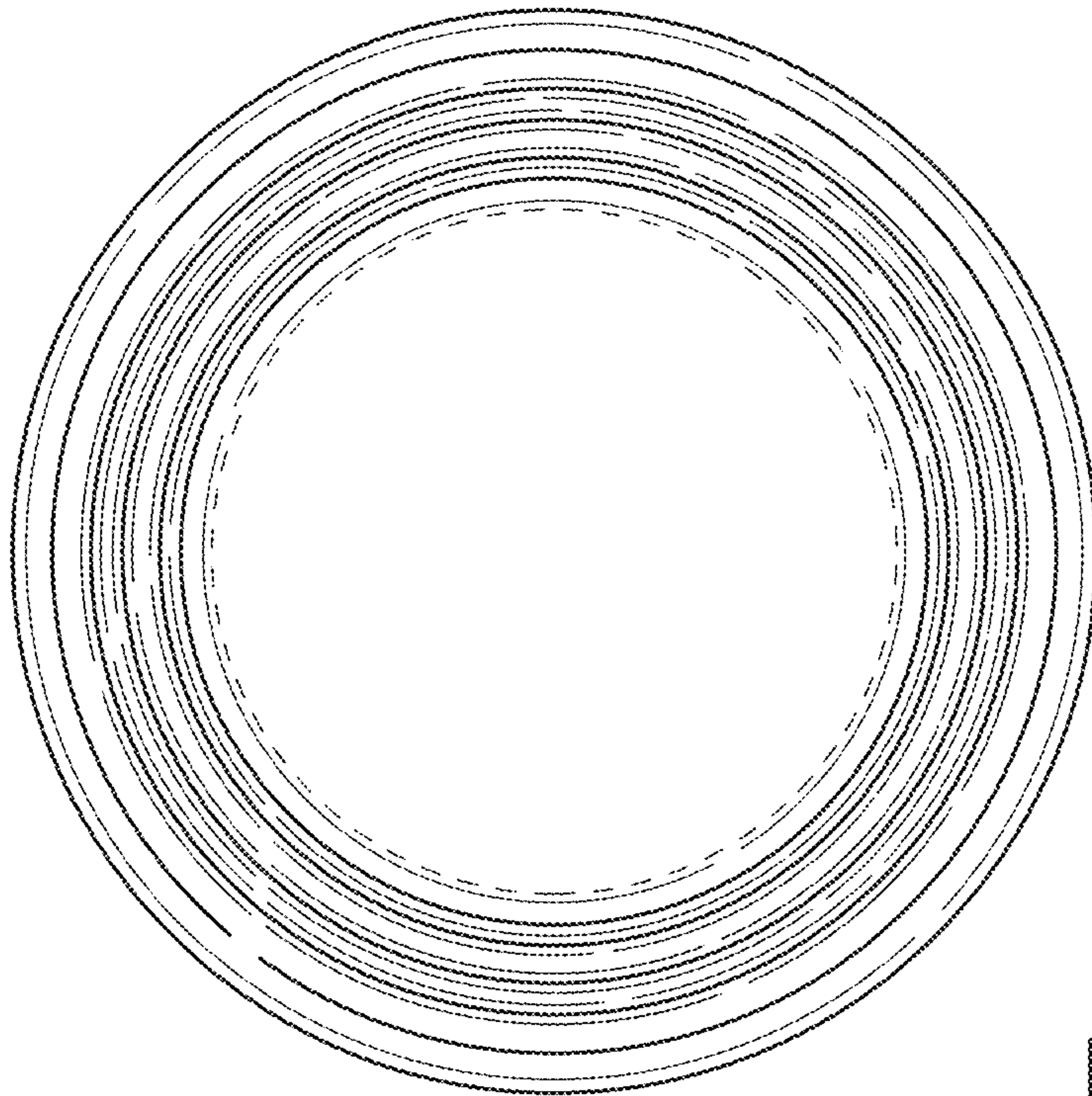


FIG.29

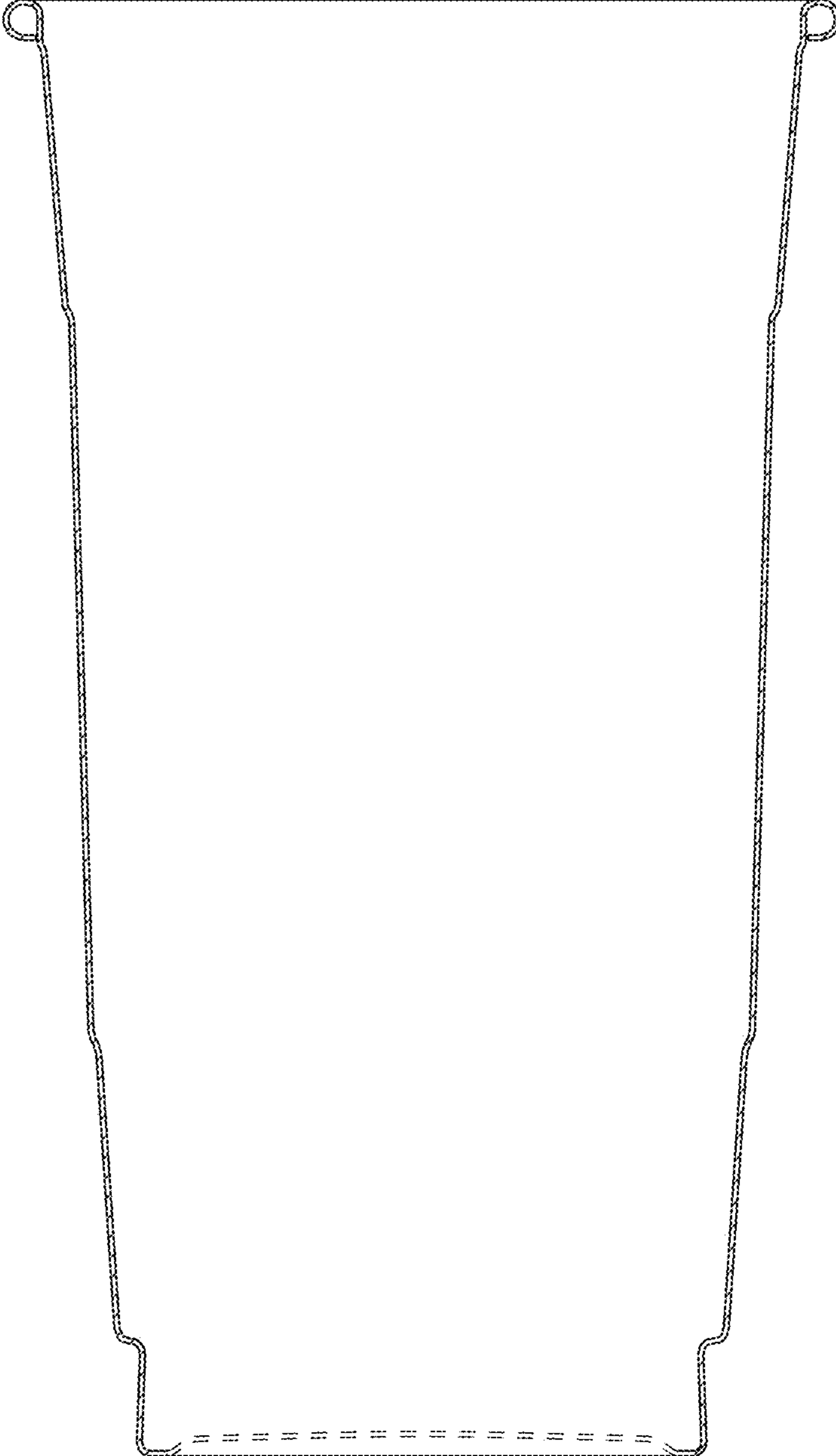


FIG.30

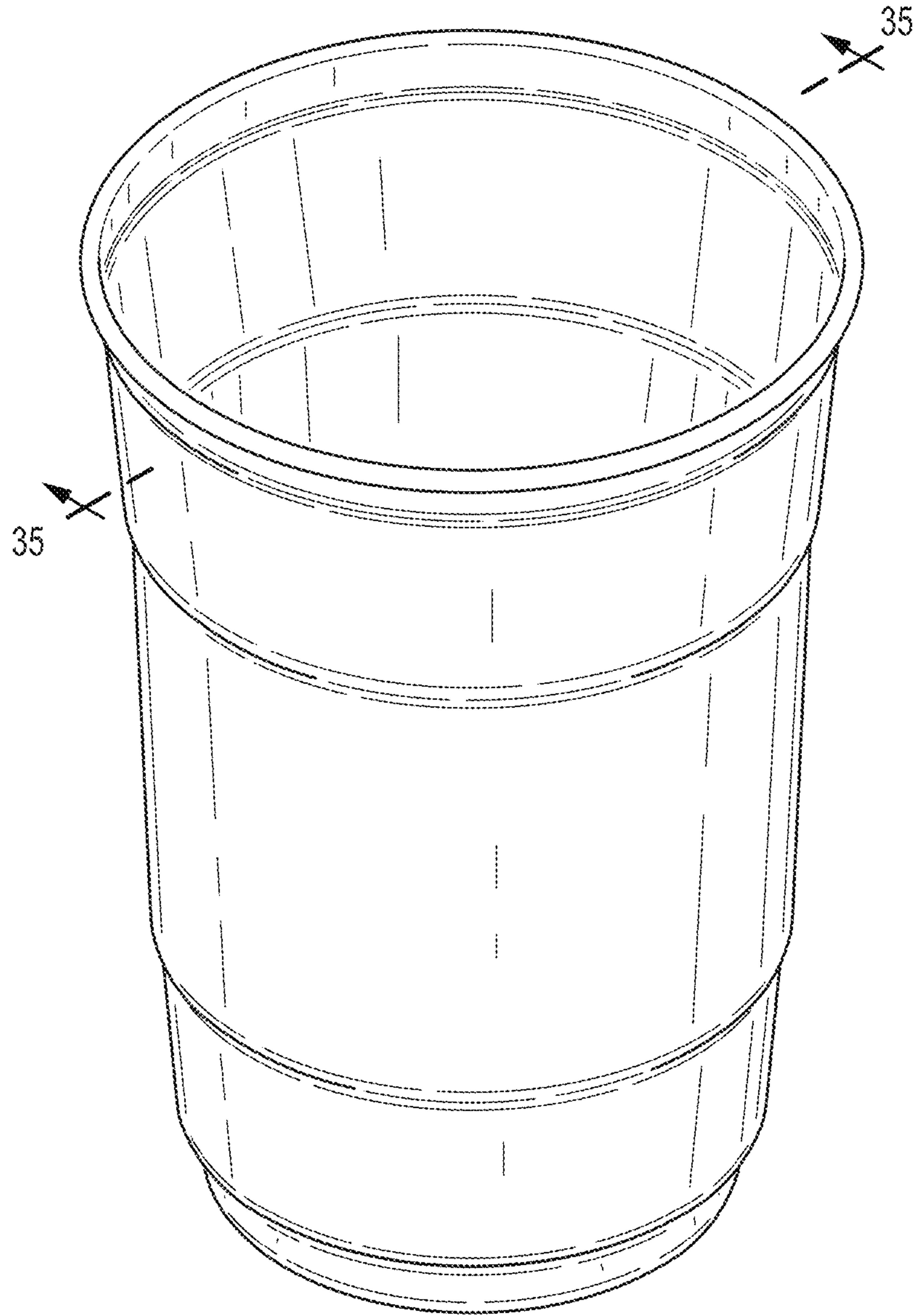


FIG.31

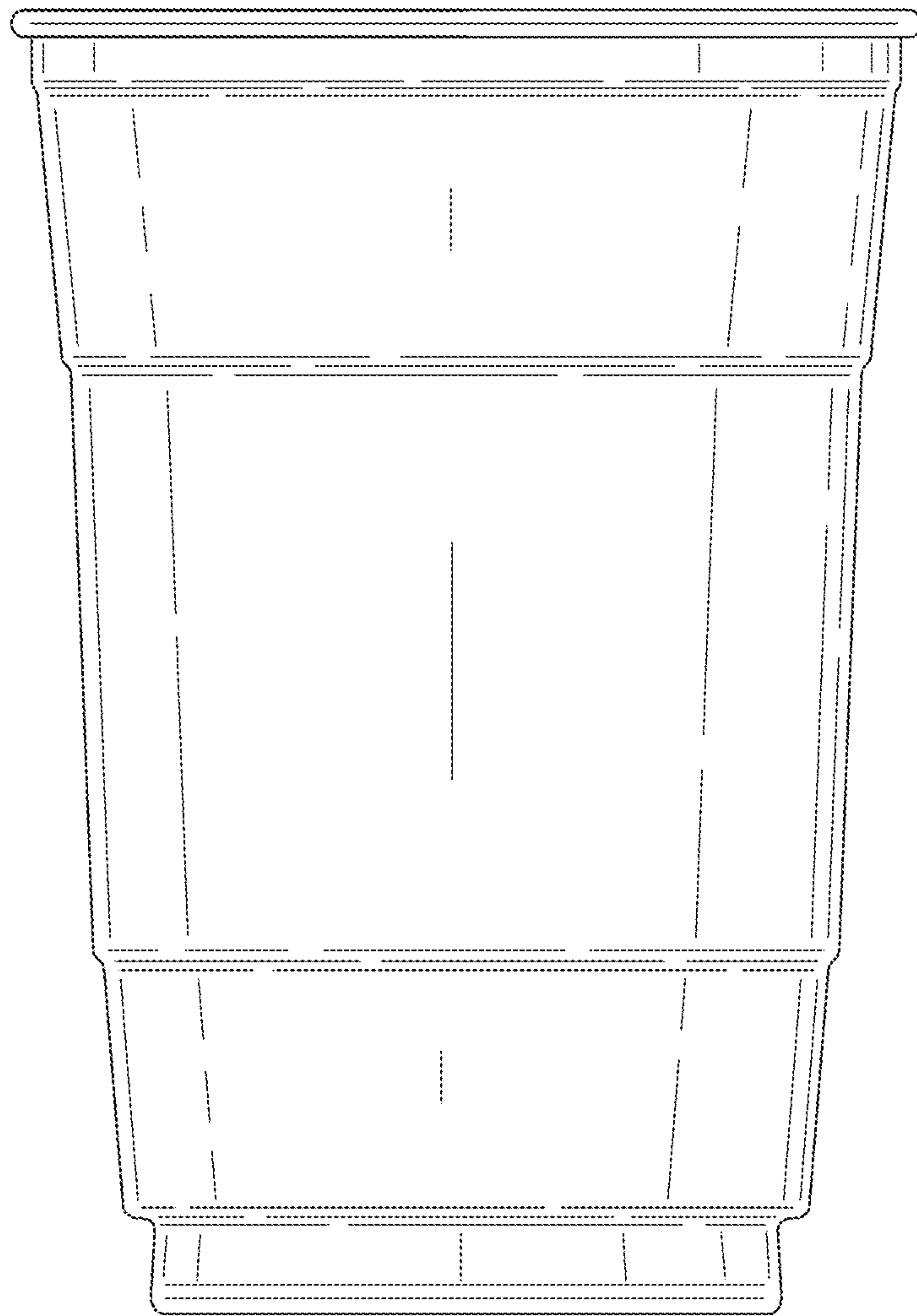


FIG.32

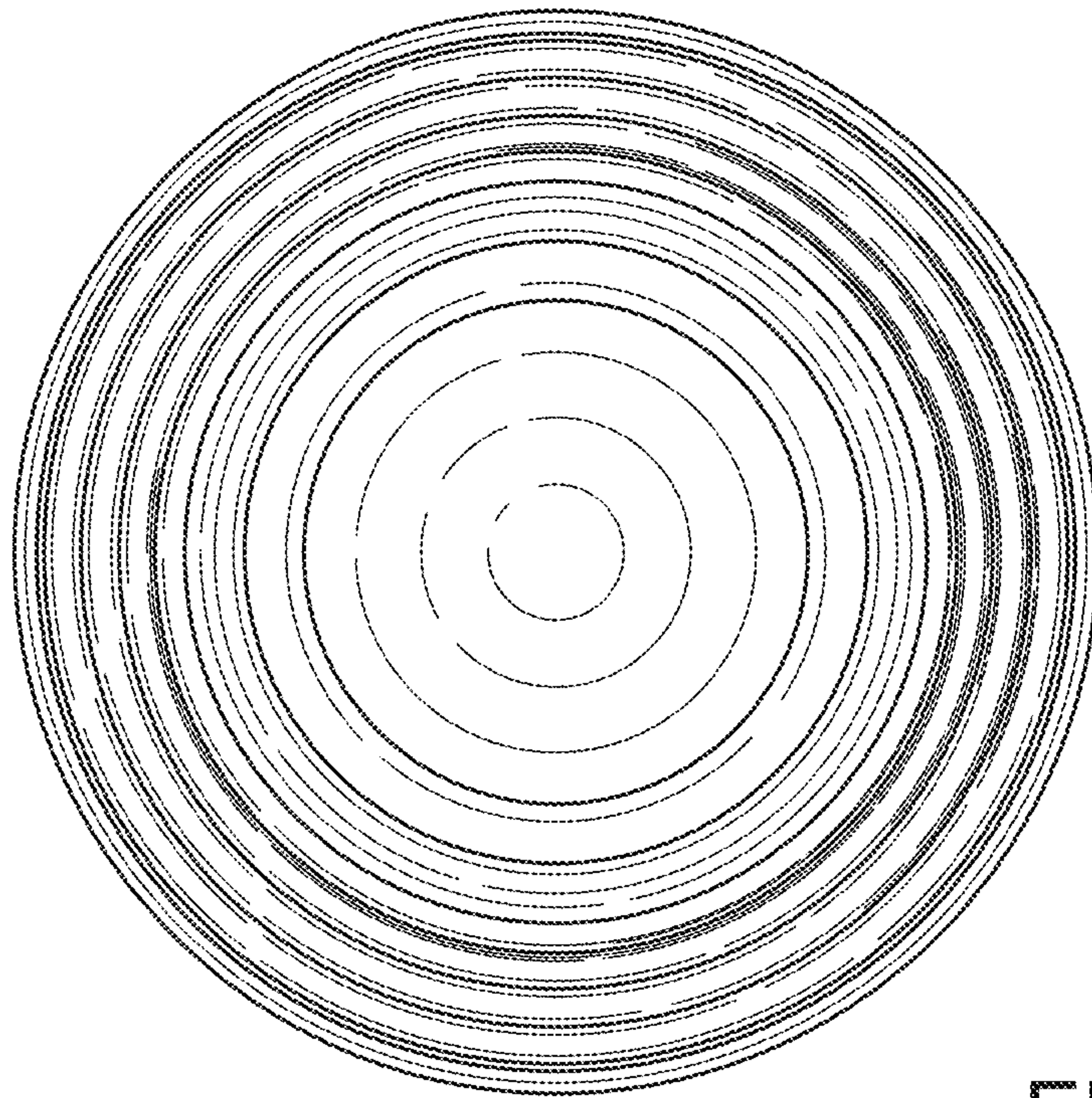


FIG.33

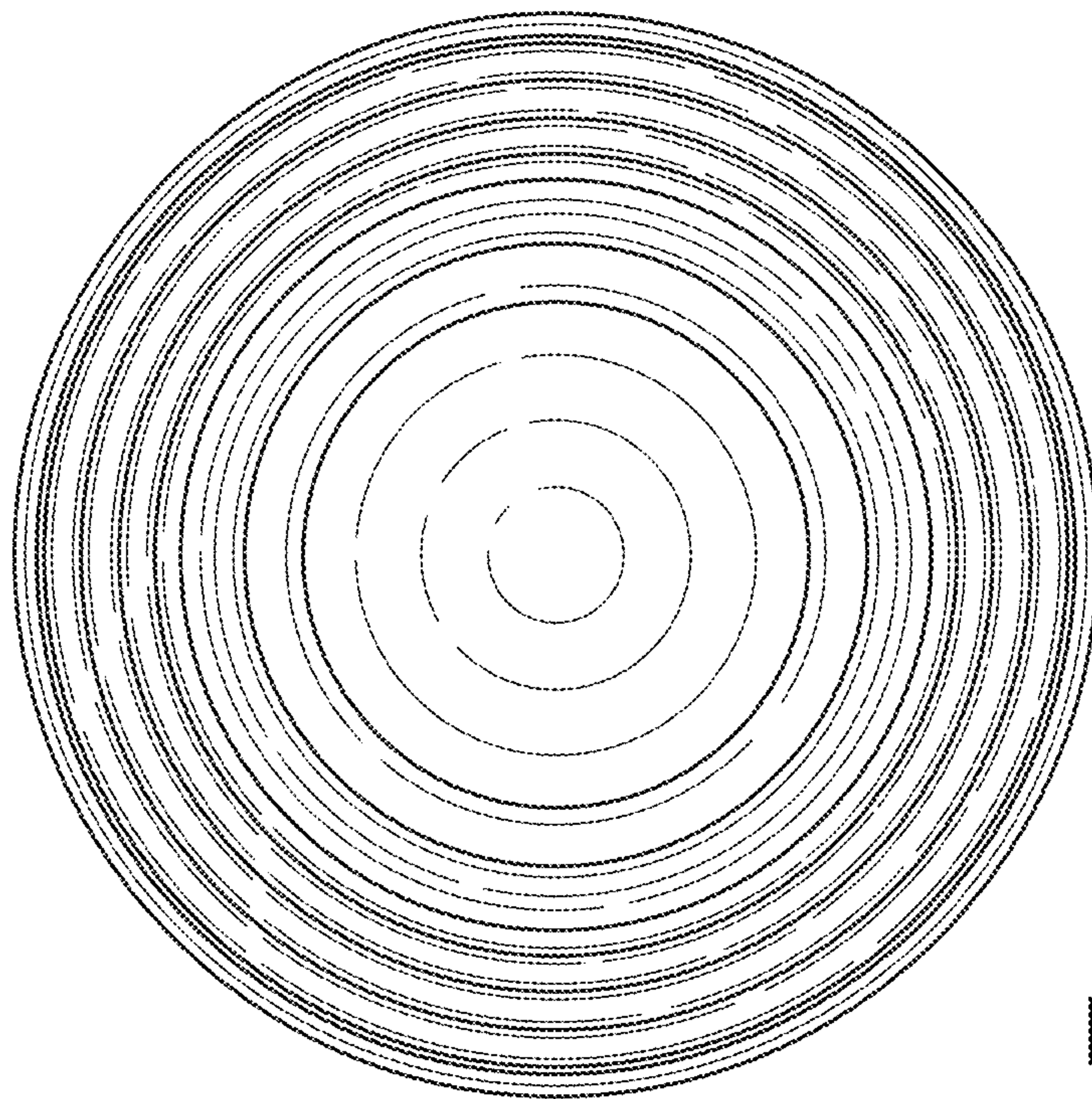


FIG.34

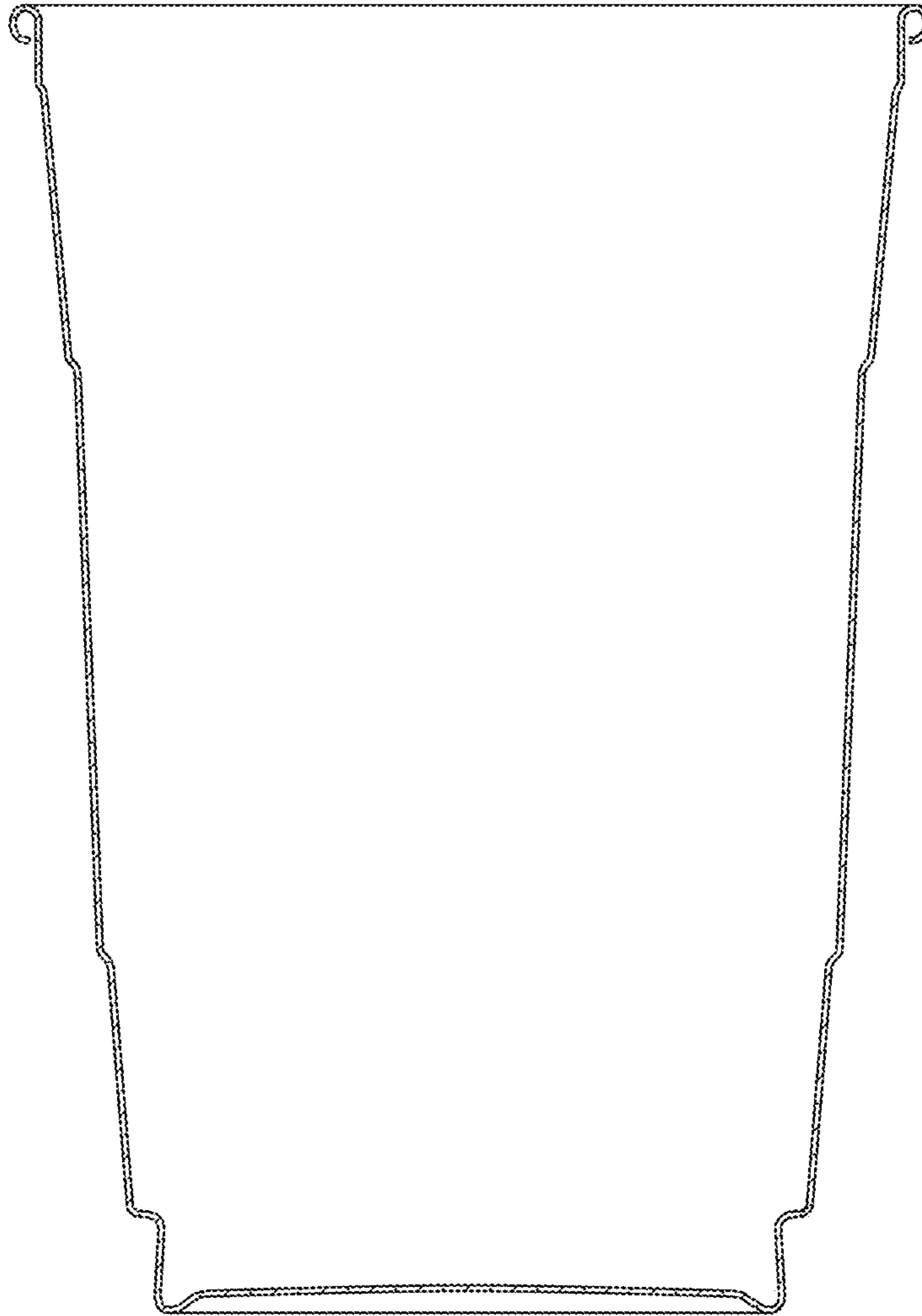


FIG.35

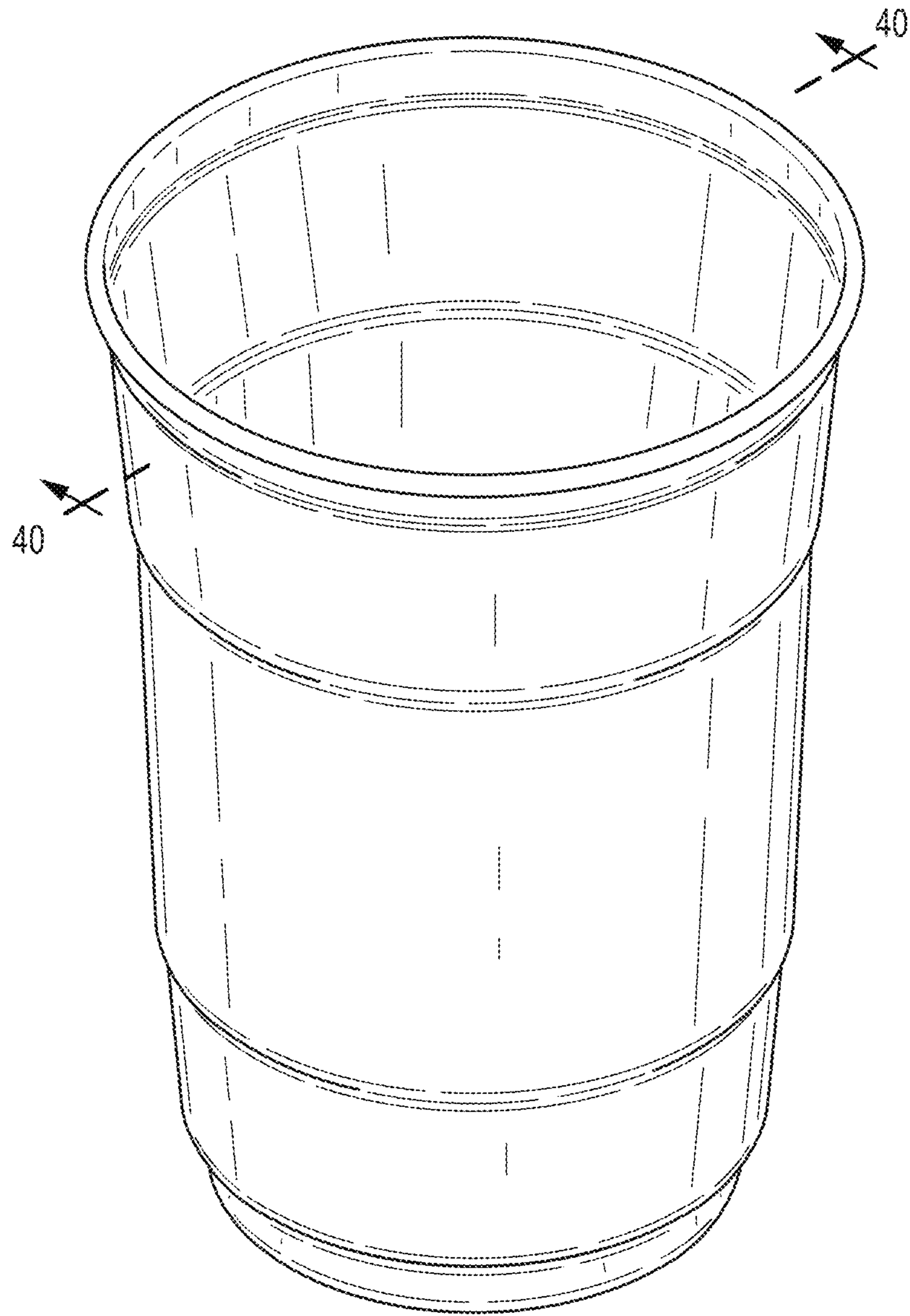


FIG.36

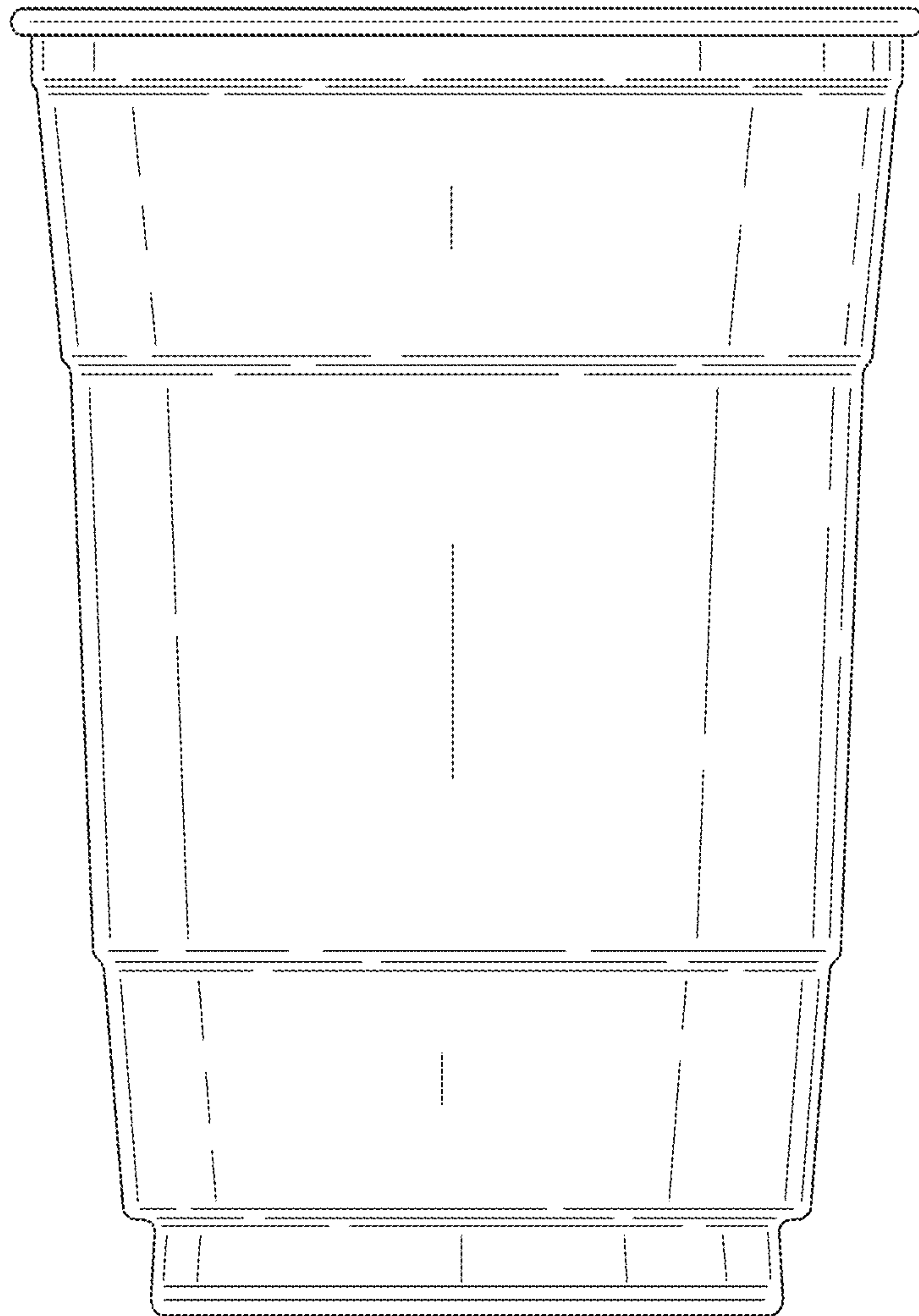


FIG.37

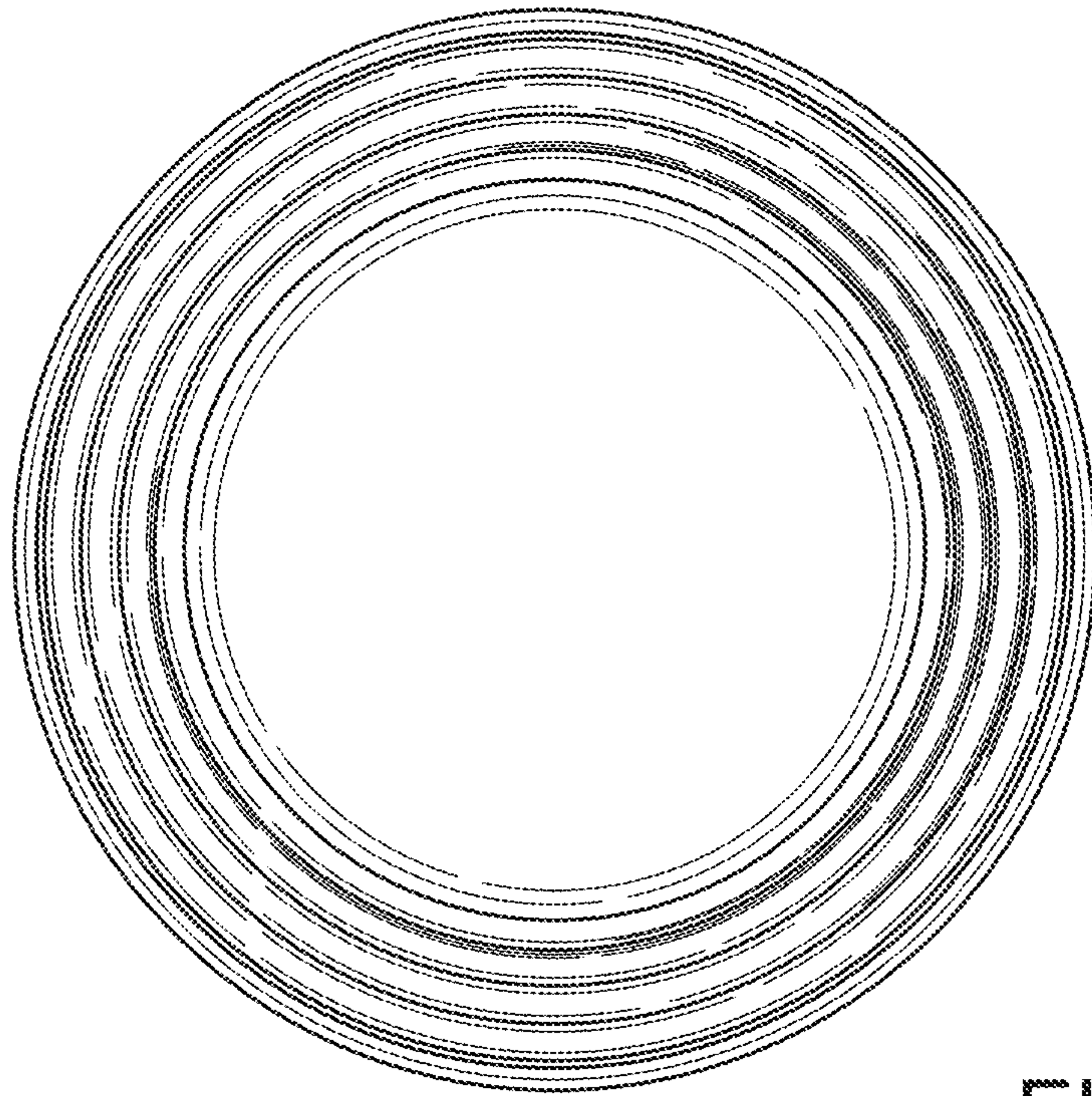


FIG.38

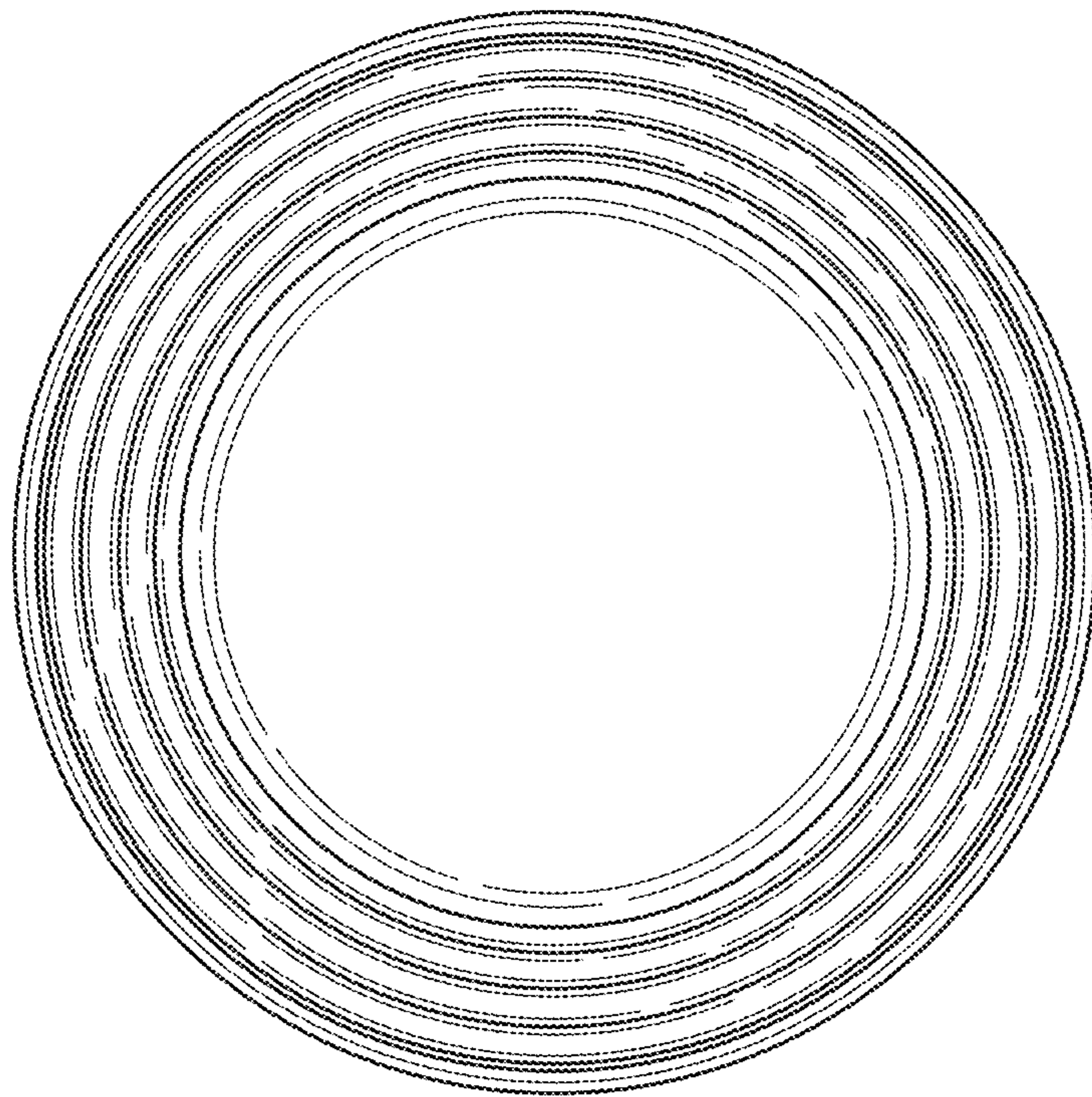


FIG.39

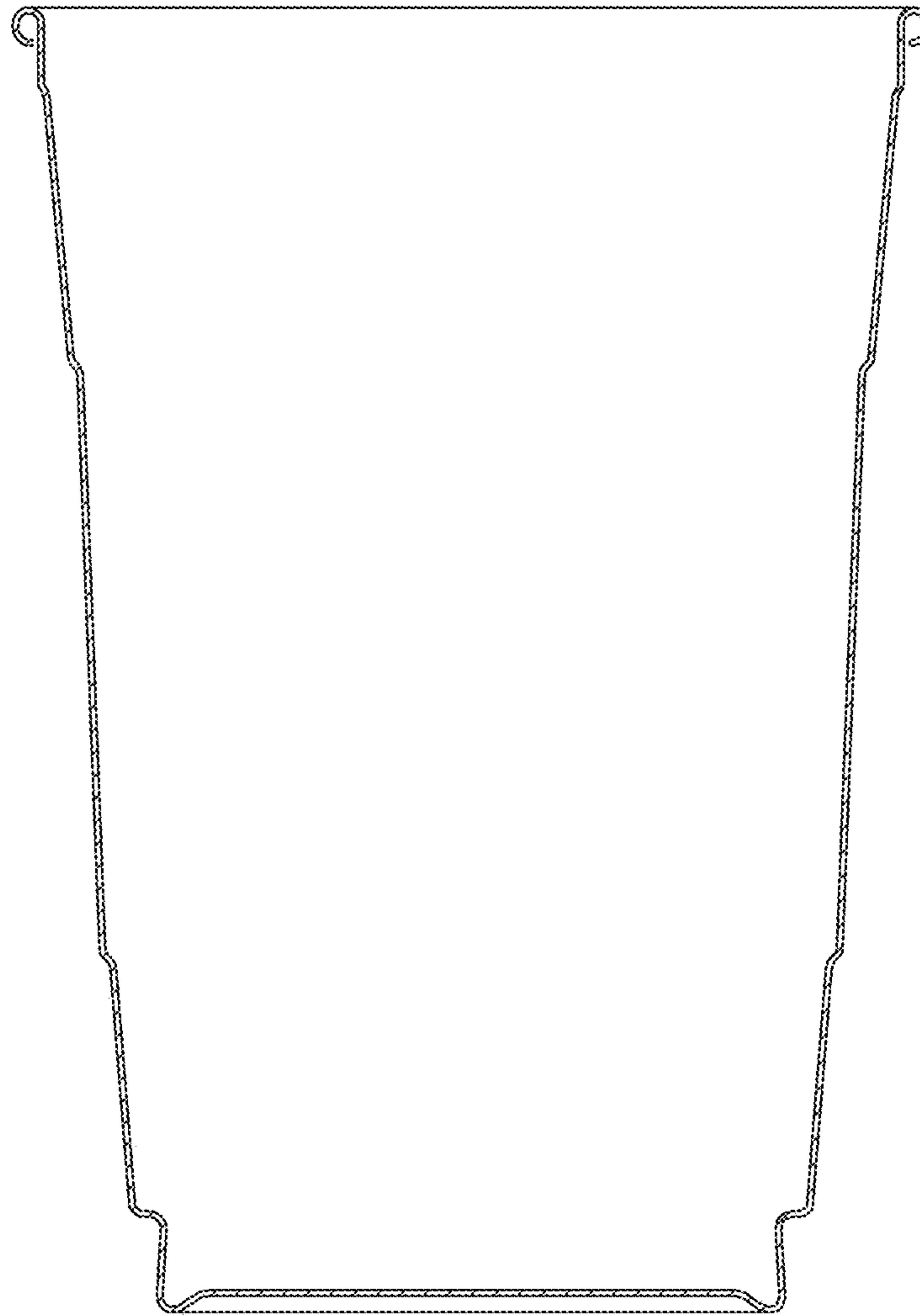


FIG.40

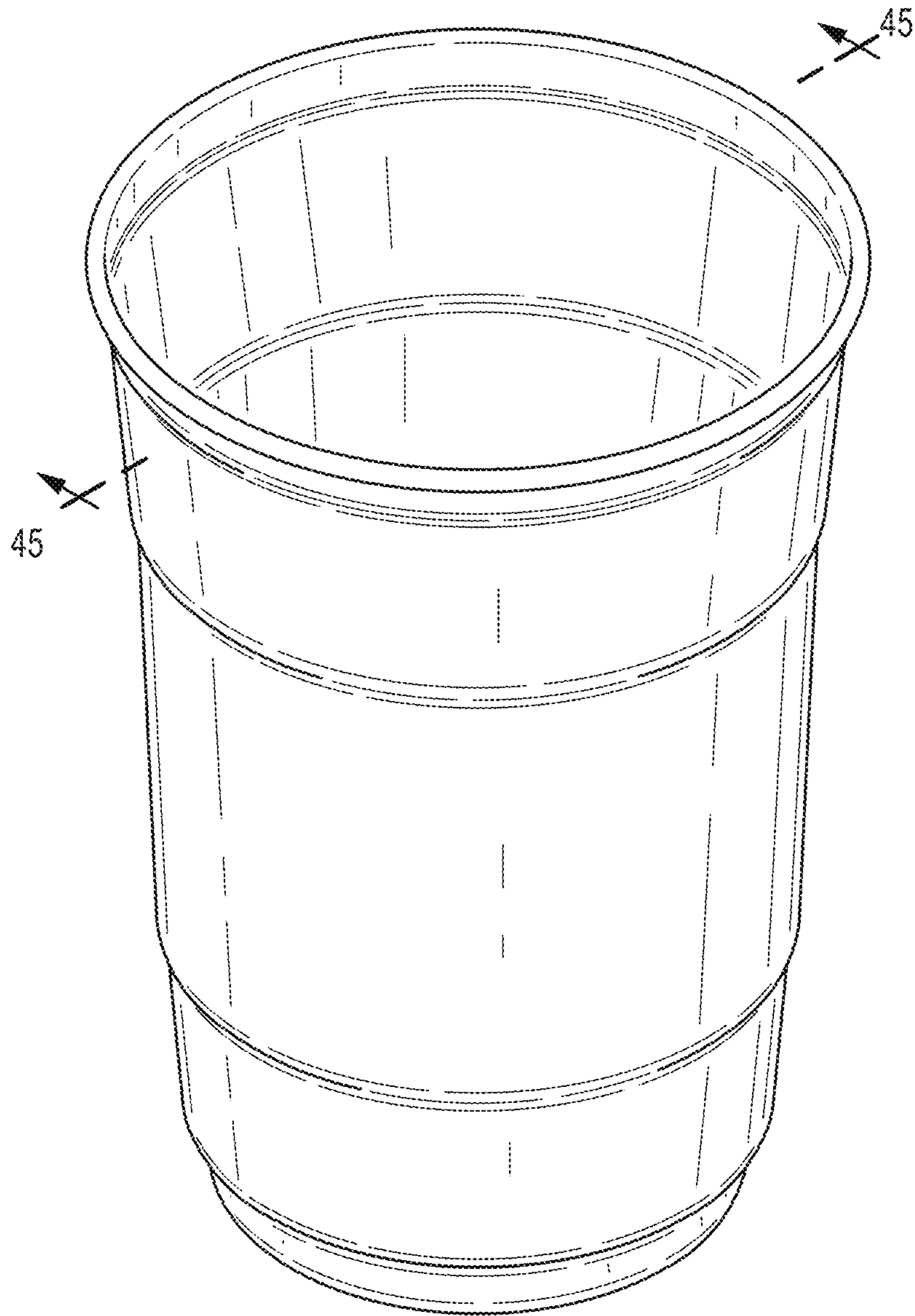


FIG.41

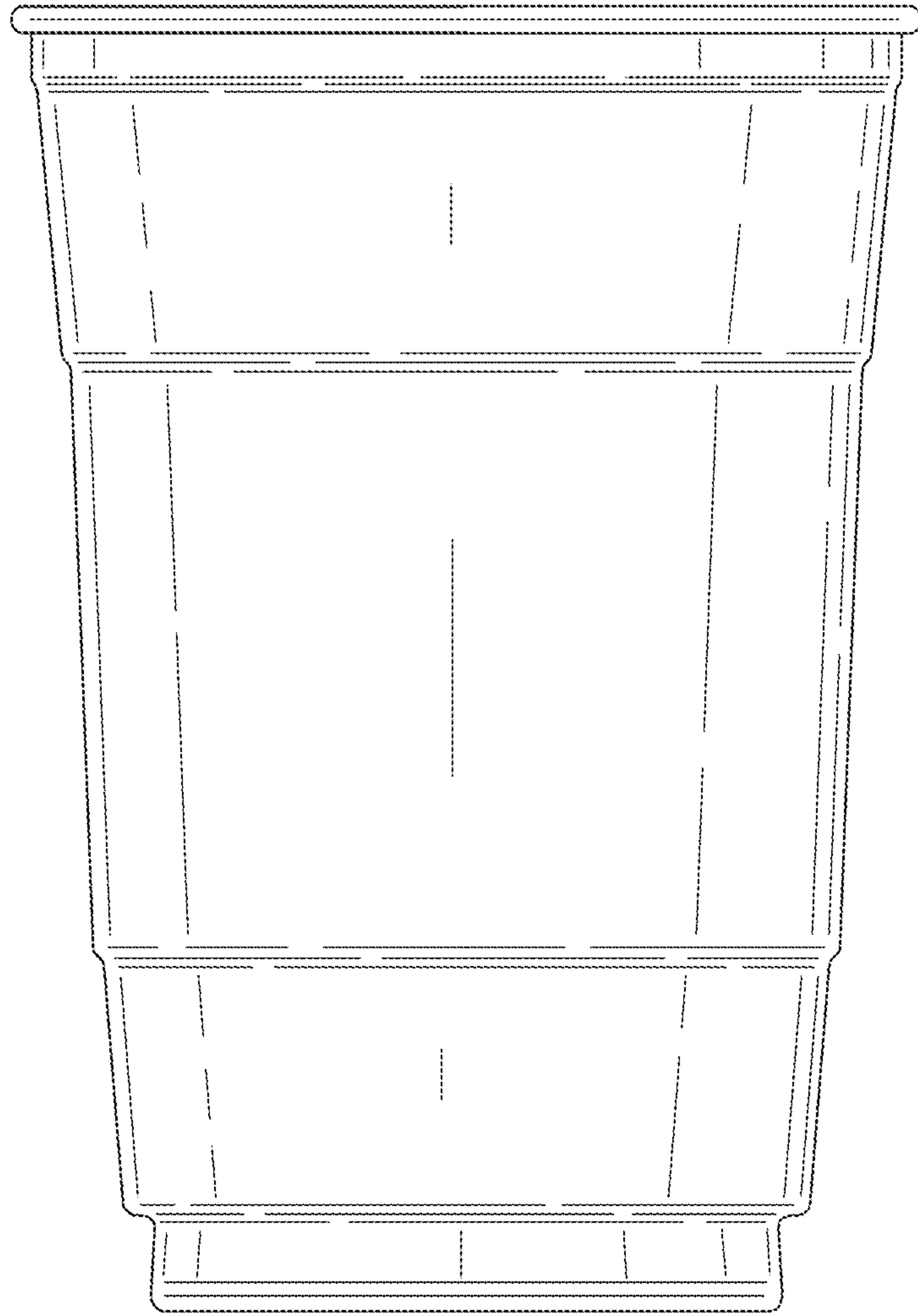


FIG.42

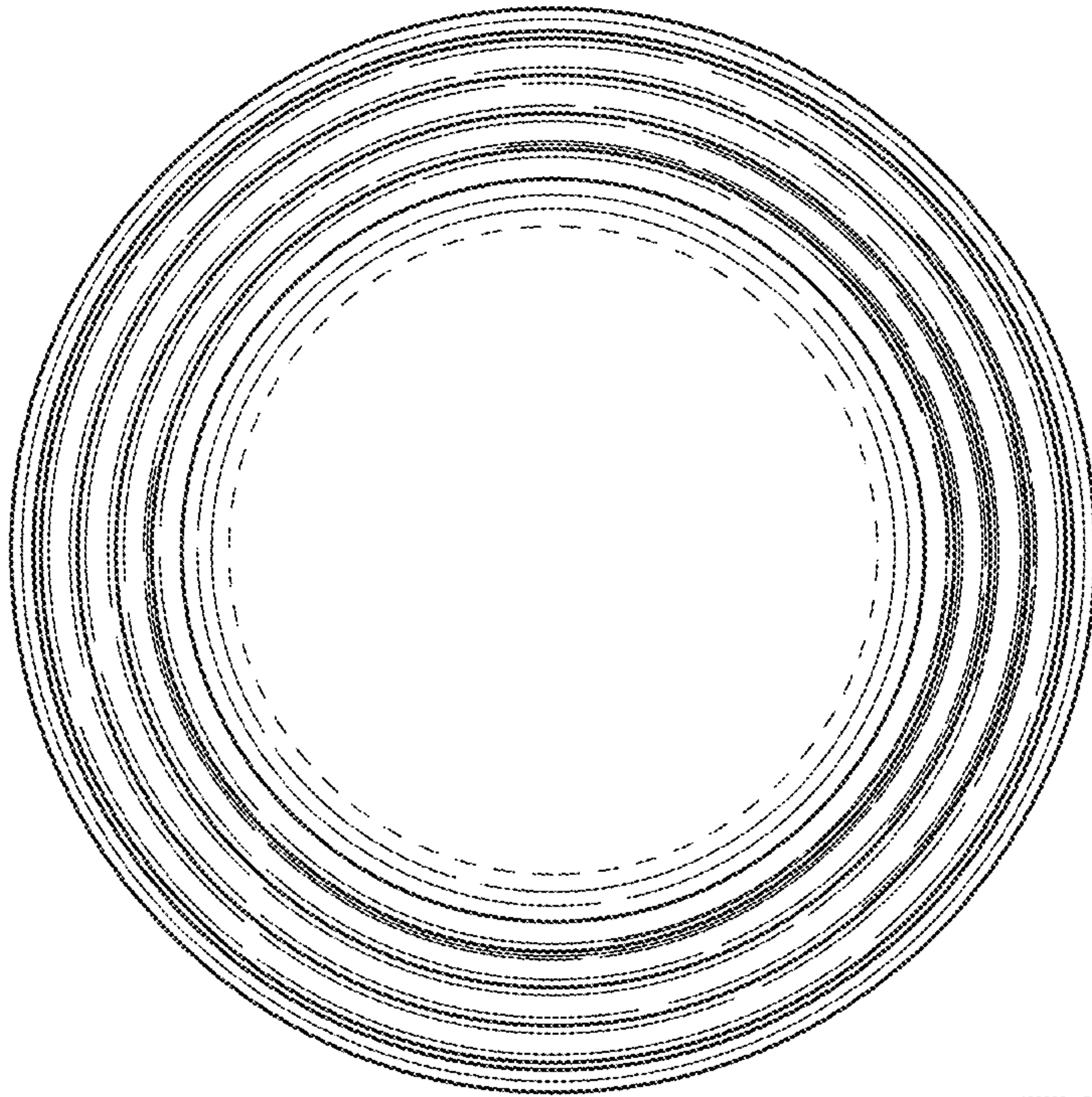


FIG. 43

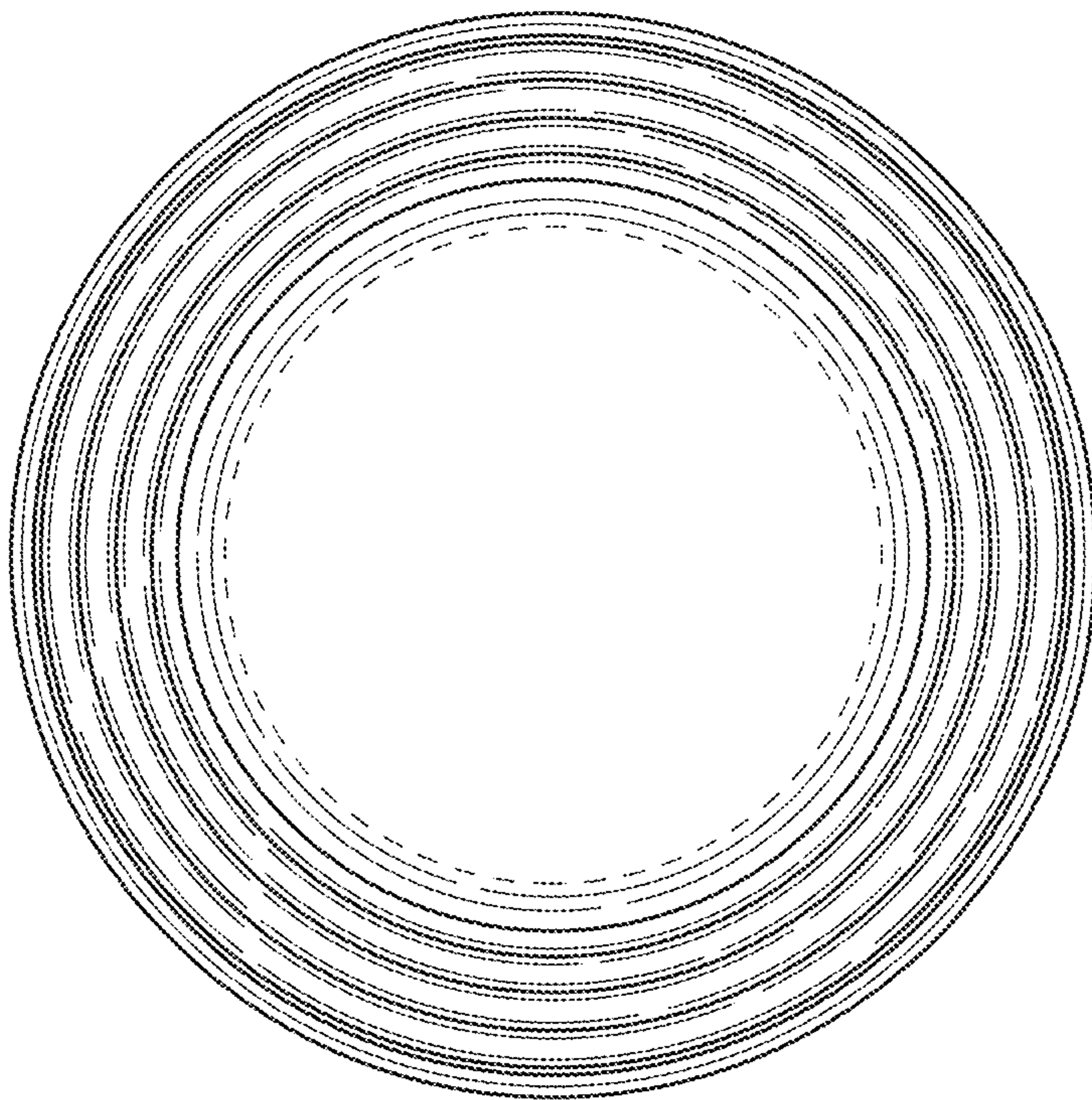


FIG. 44

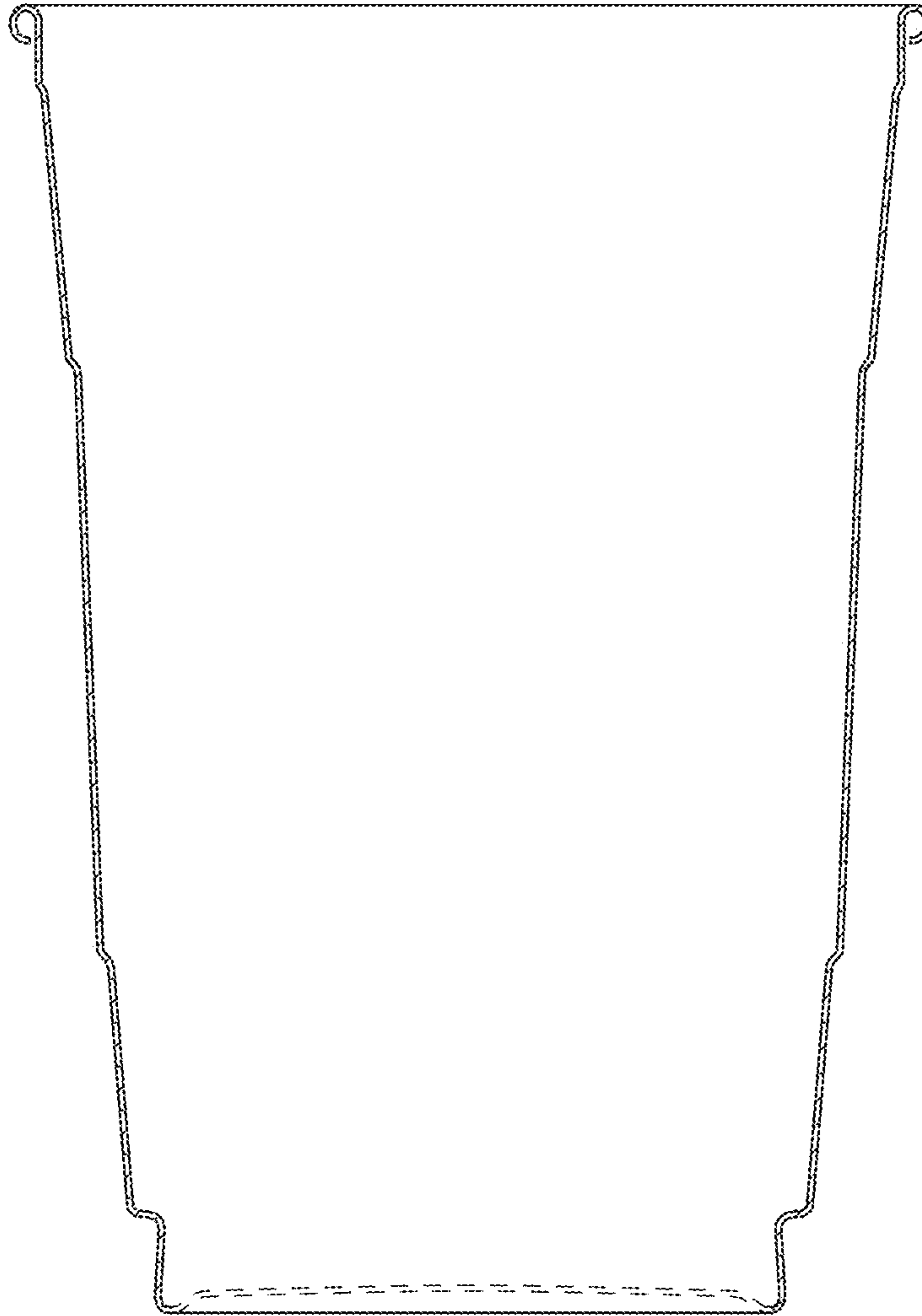


FIG. 45

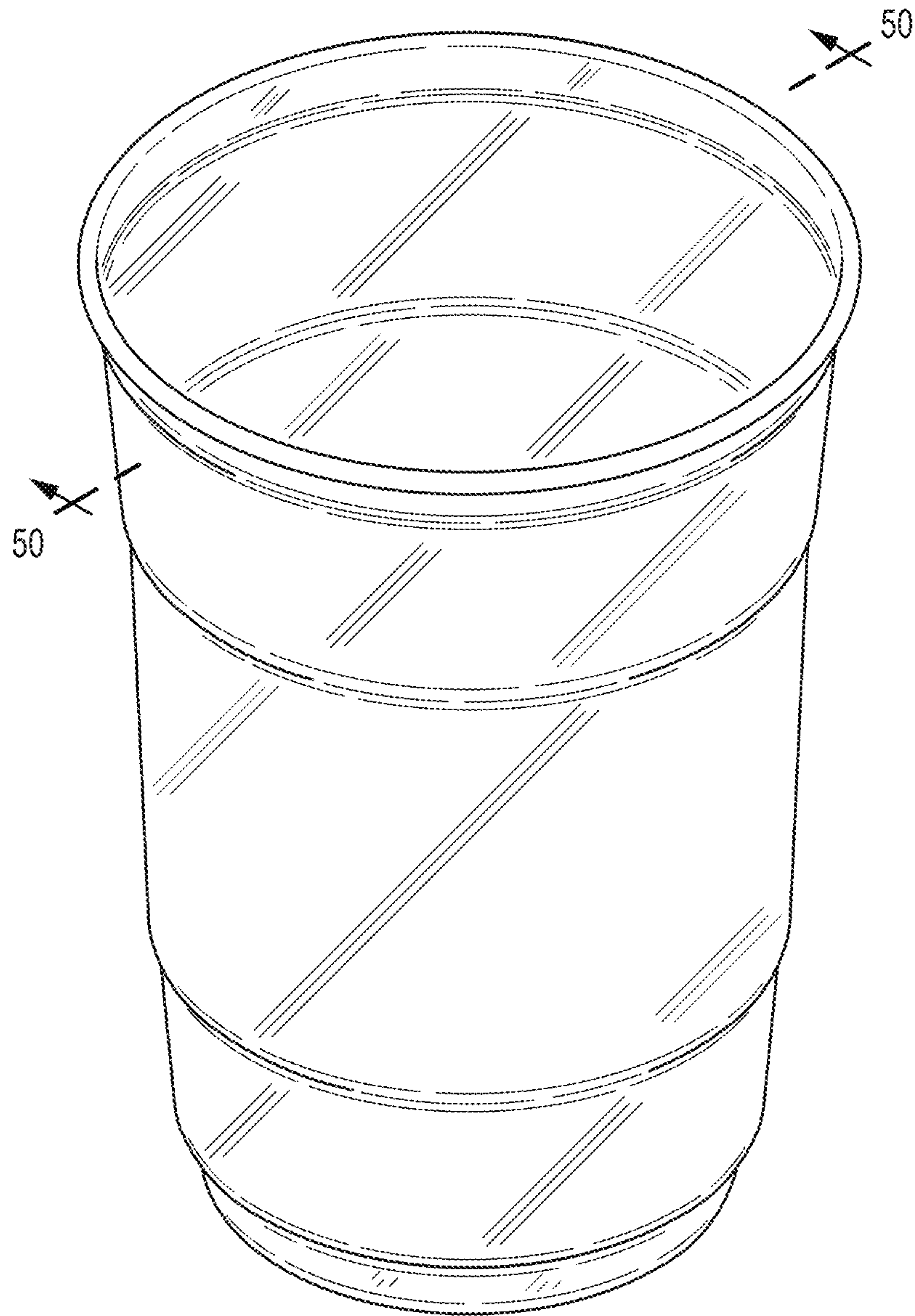


FIG.46

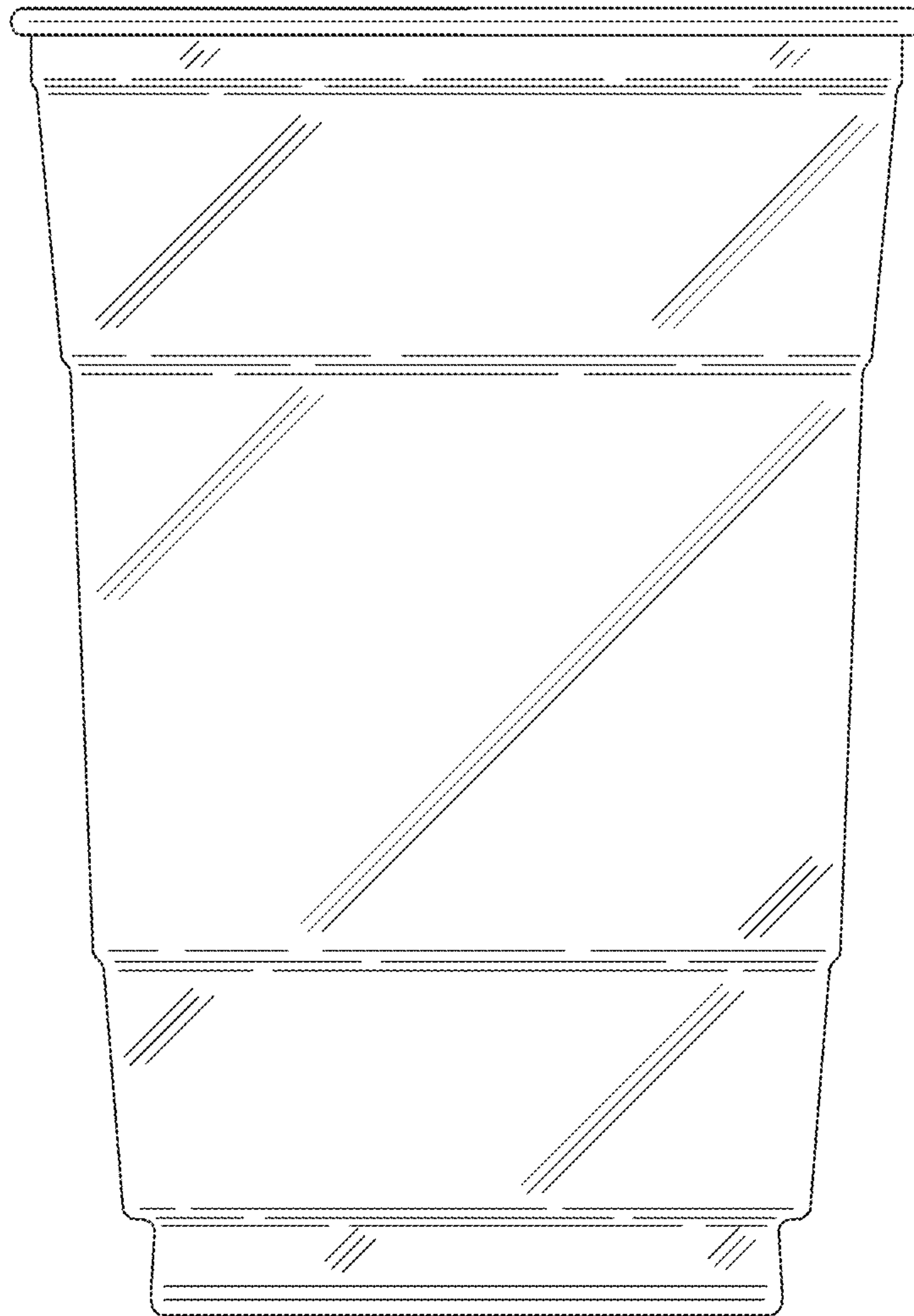


FIG.47

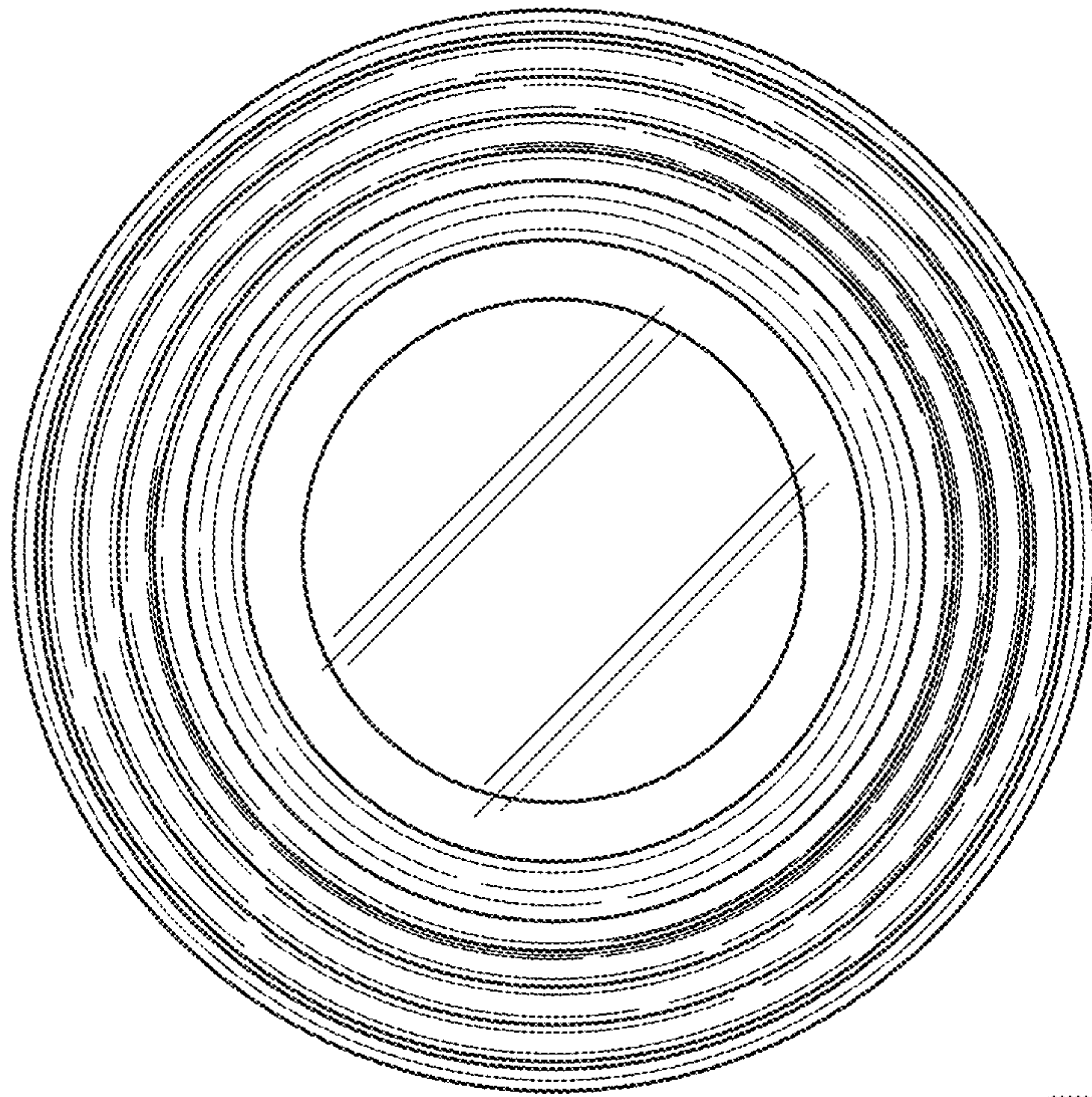


FIG.48

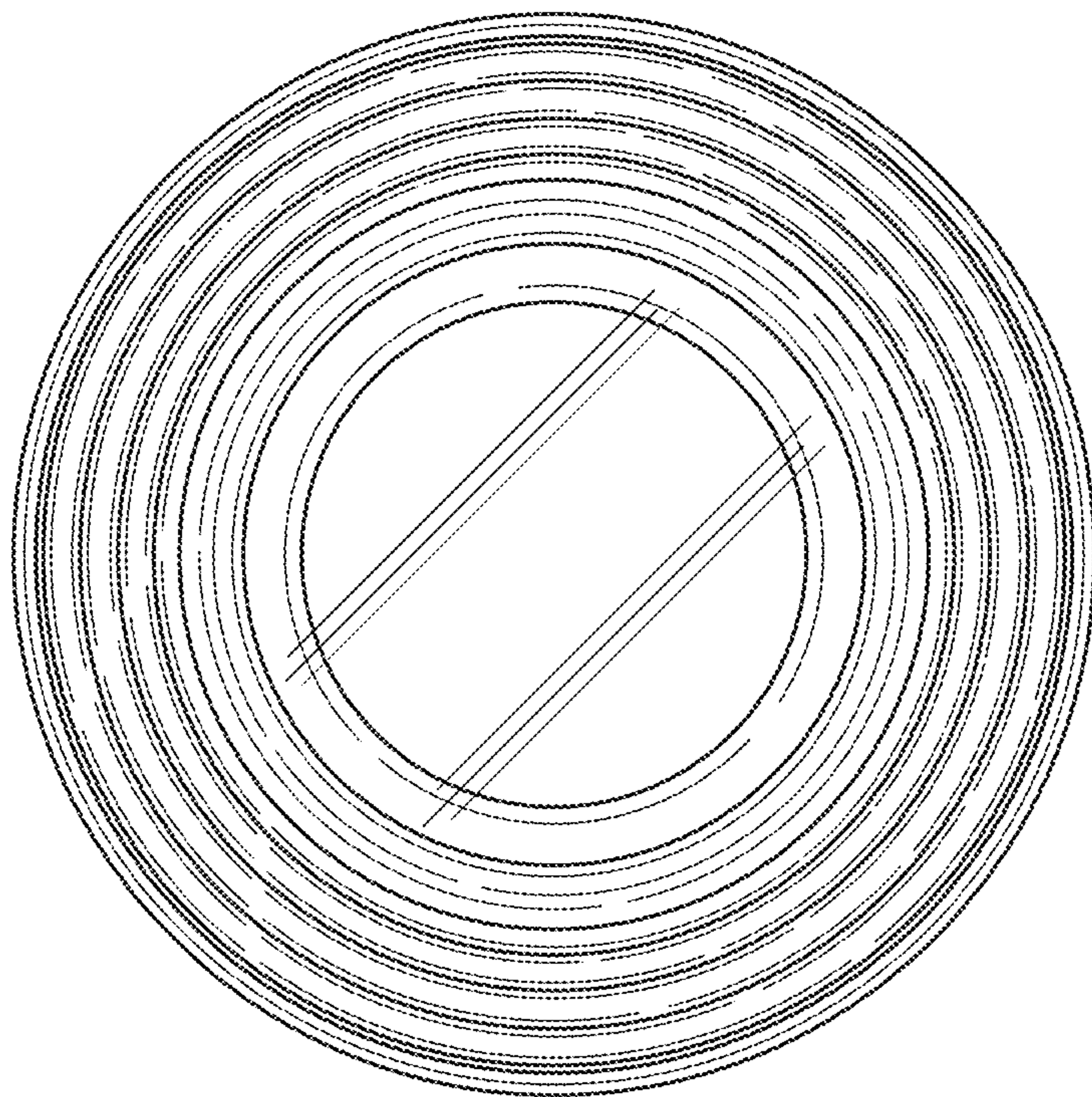


FIG.49

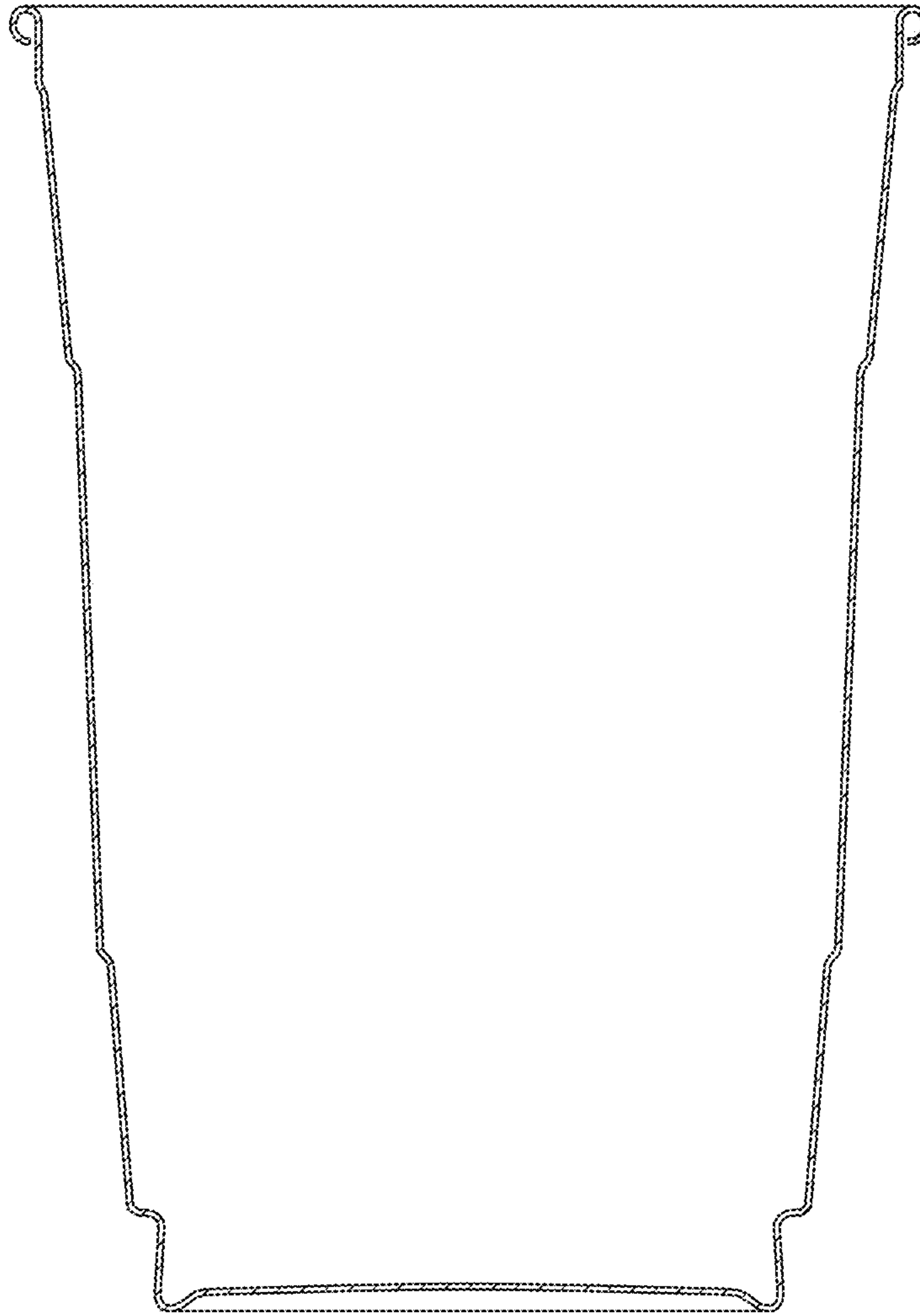


FIG.50

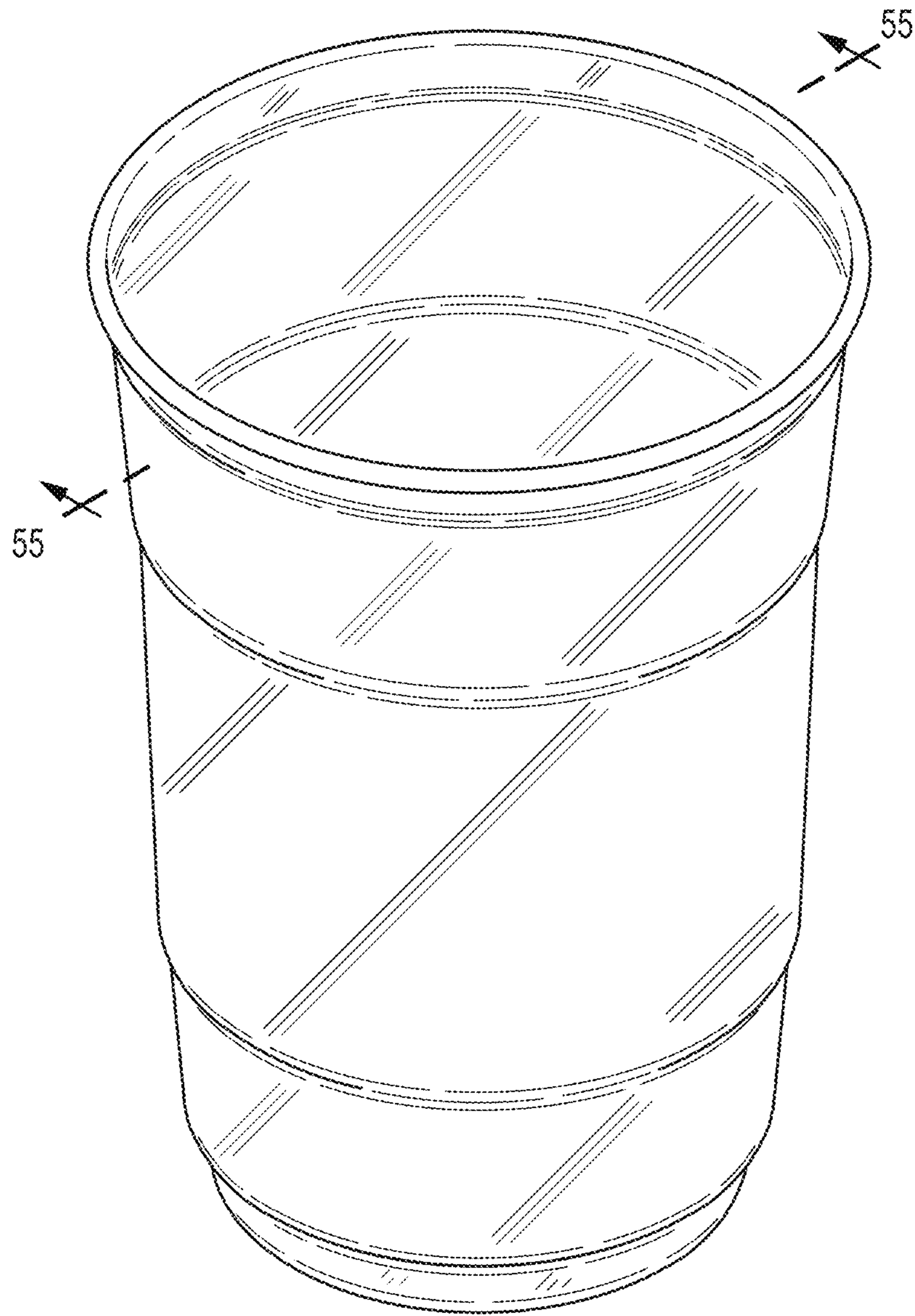


FIG.51

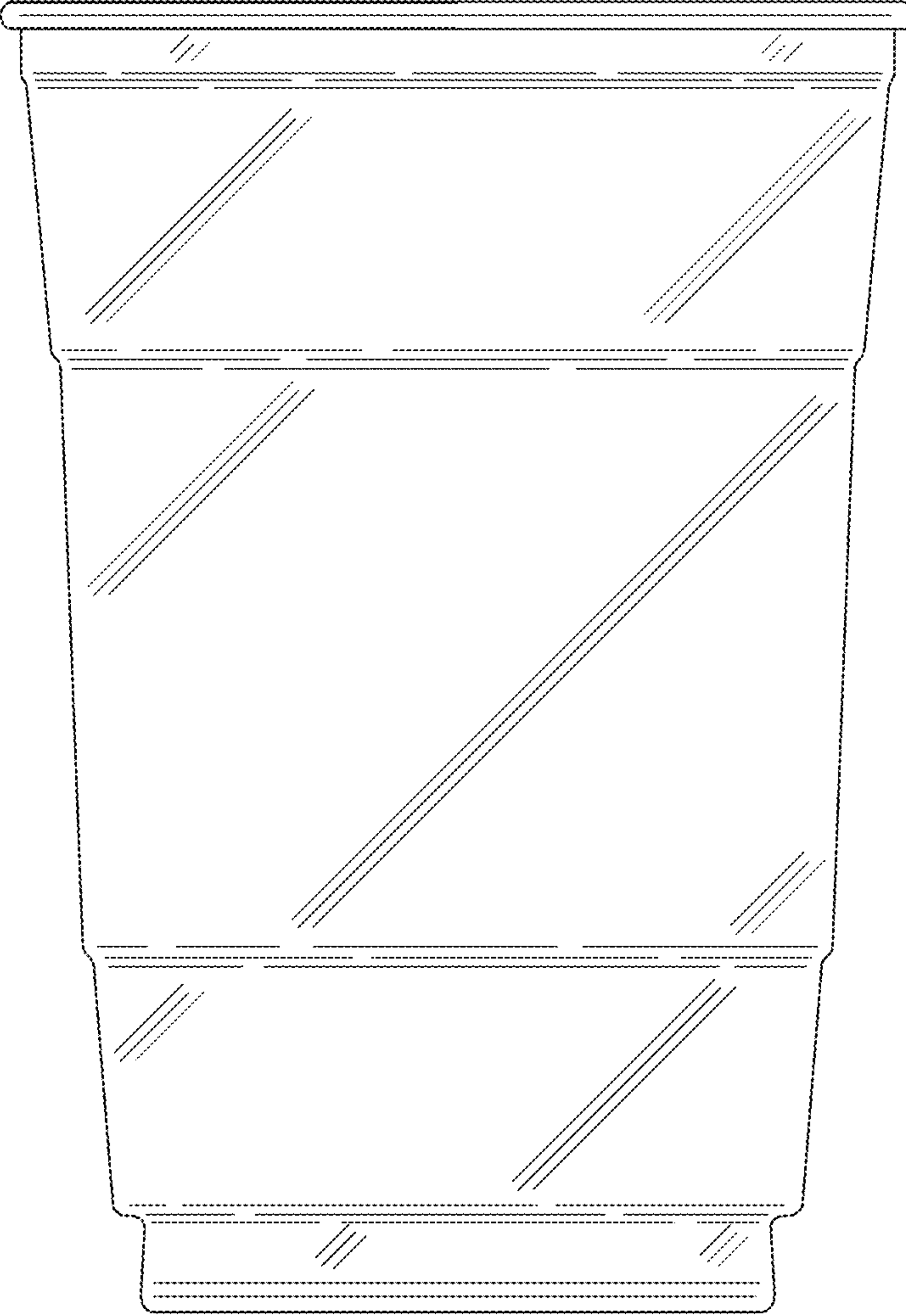


FIG.52

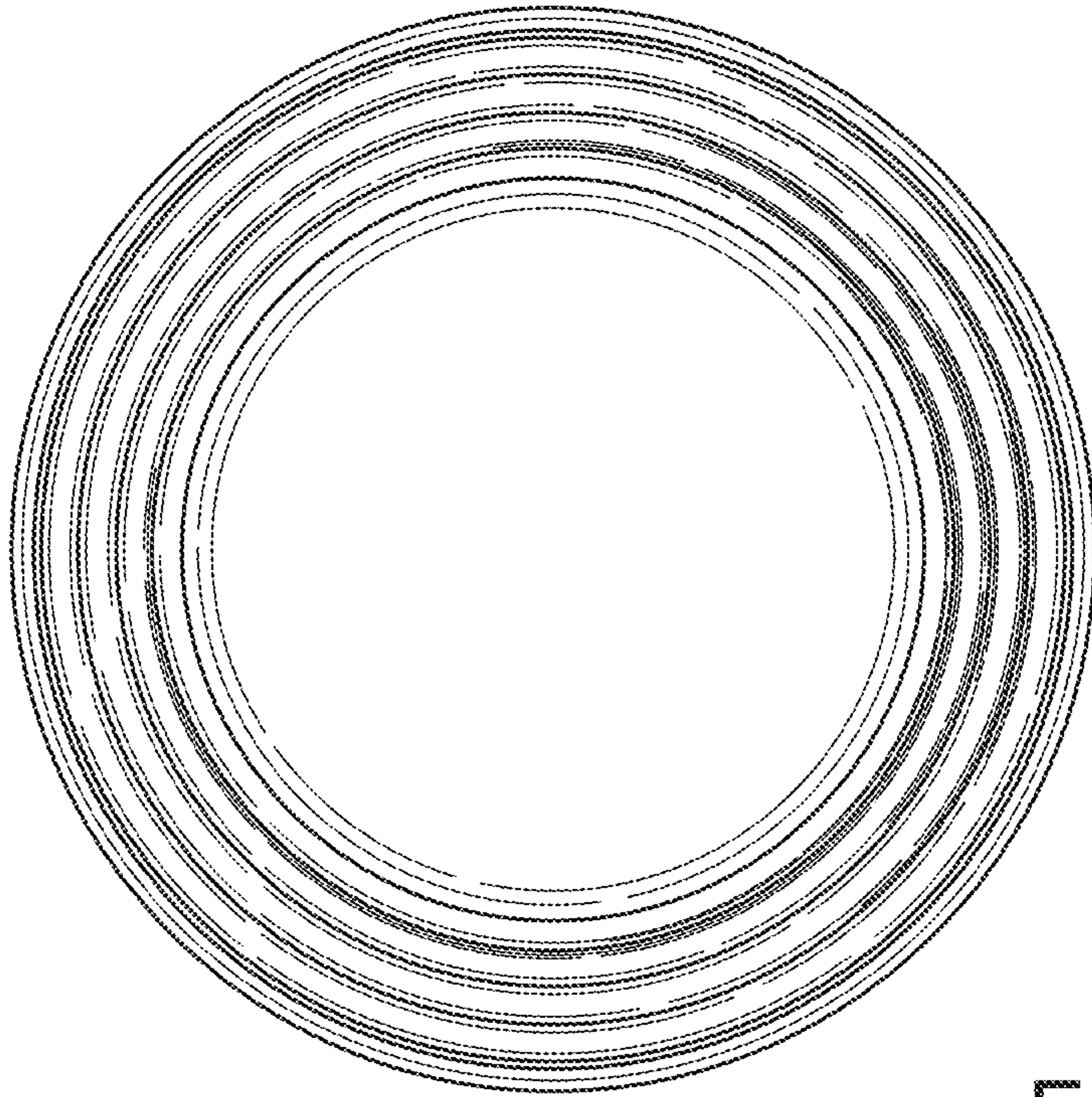


FIG. 53

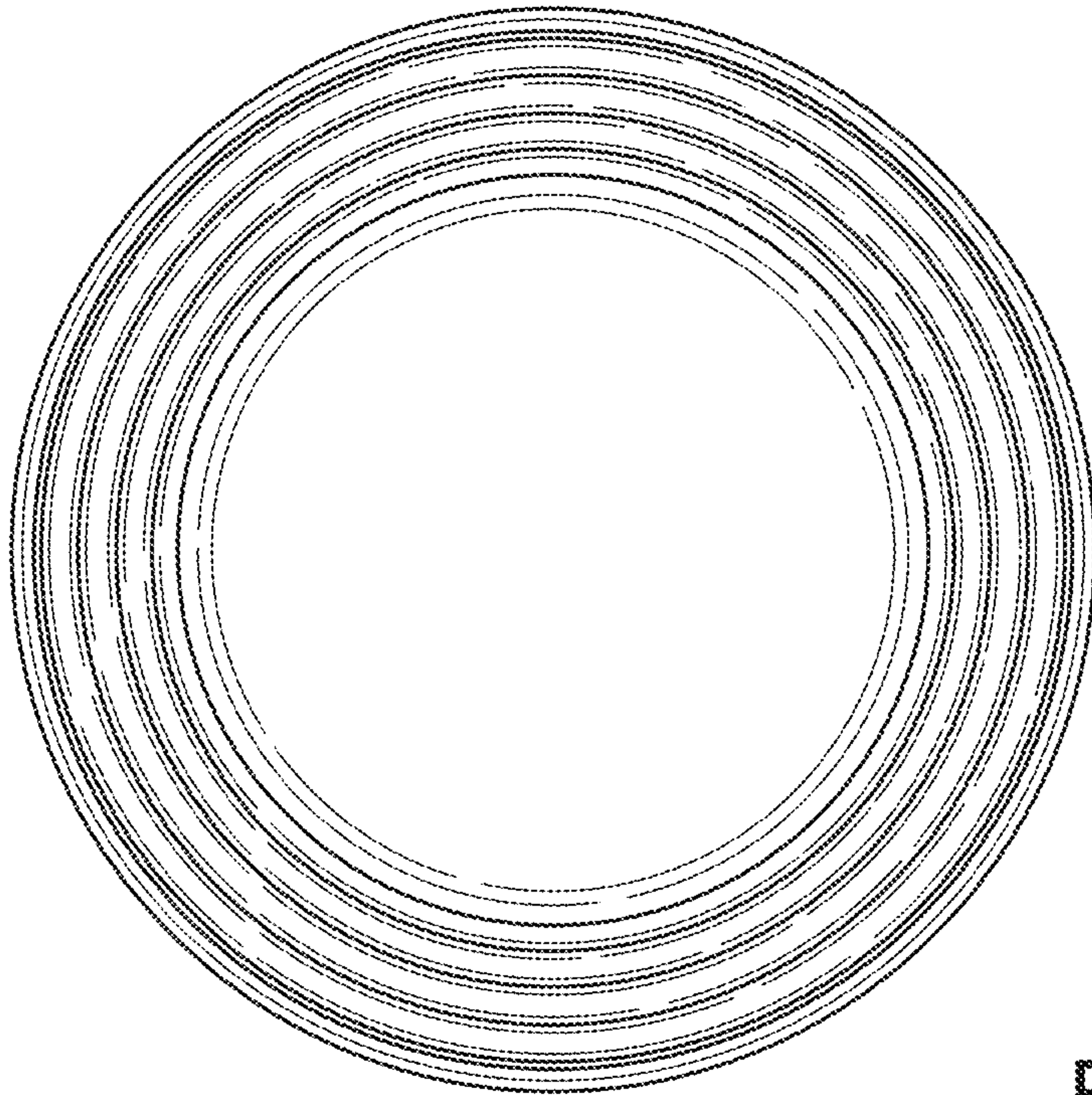


FIG. 54

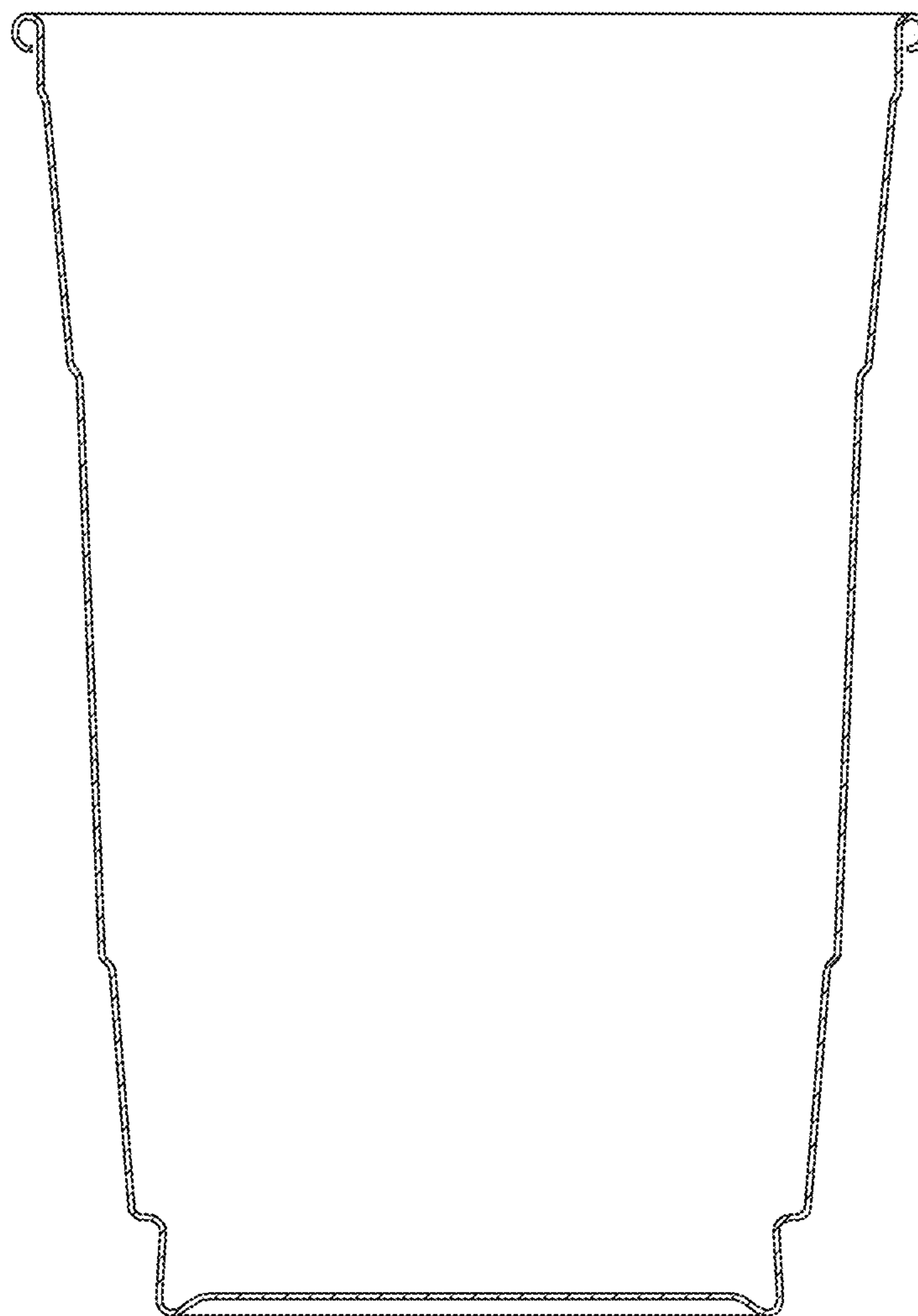


FIG.55

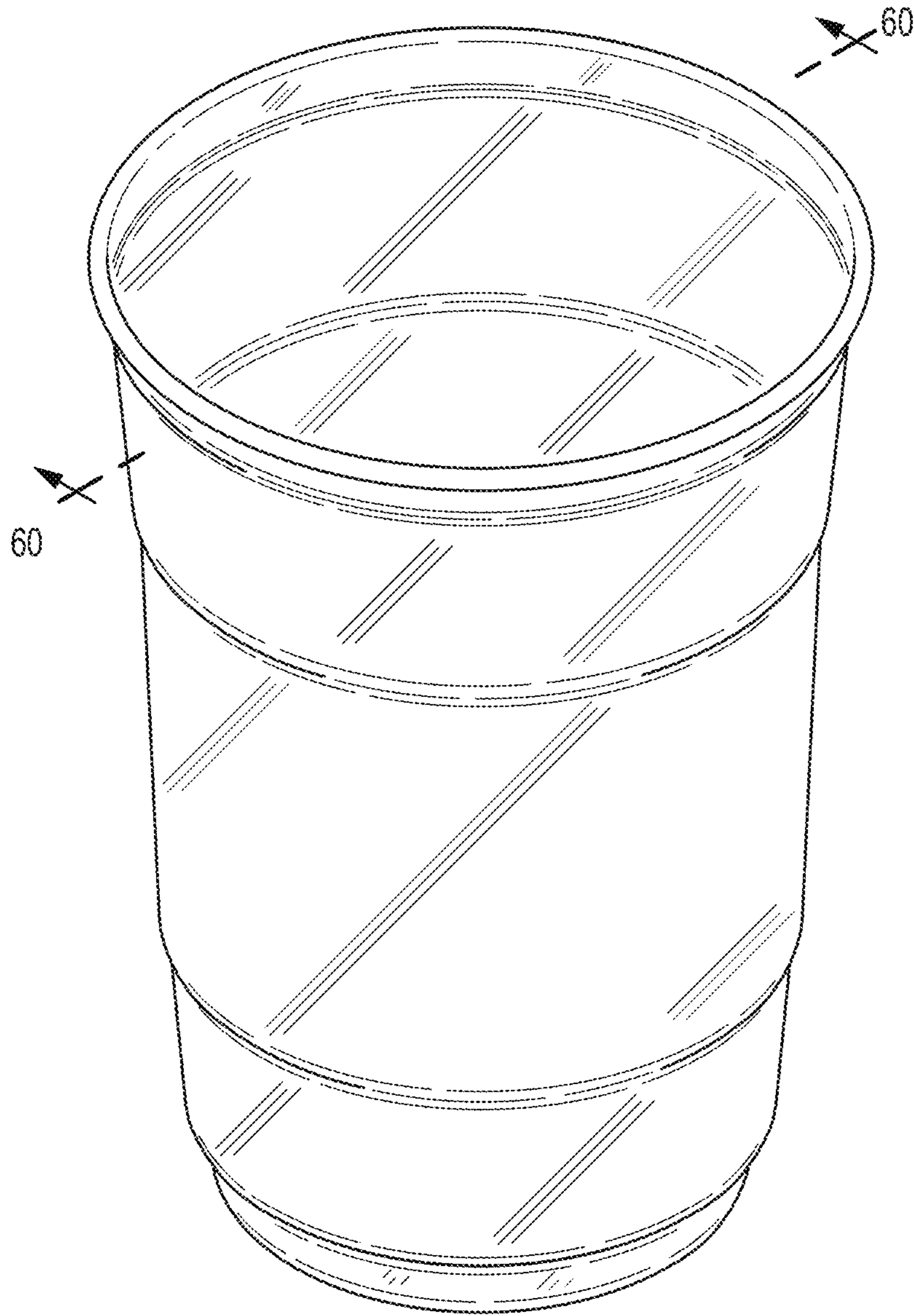


FIG.56

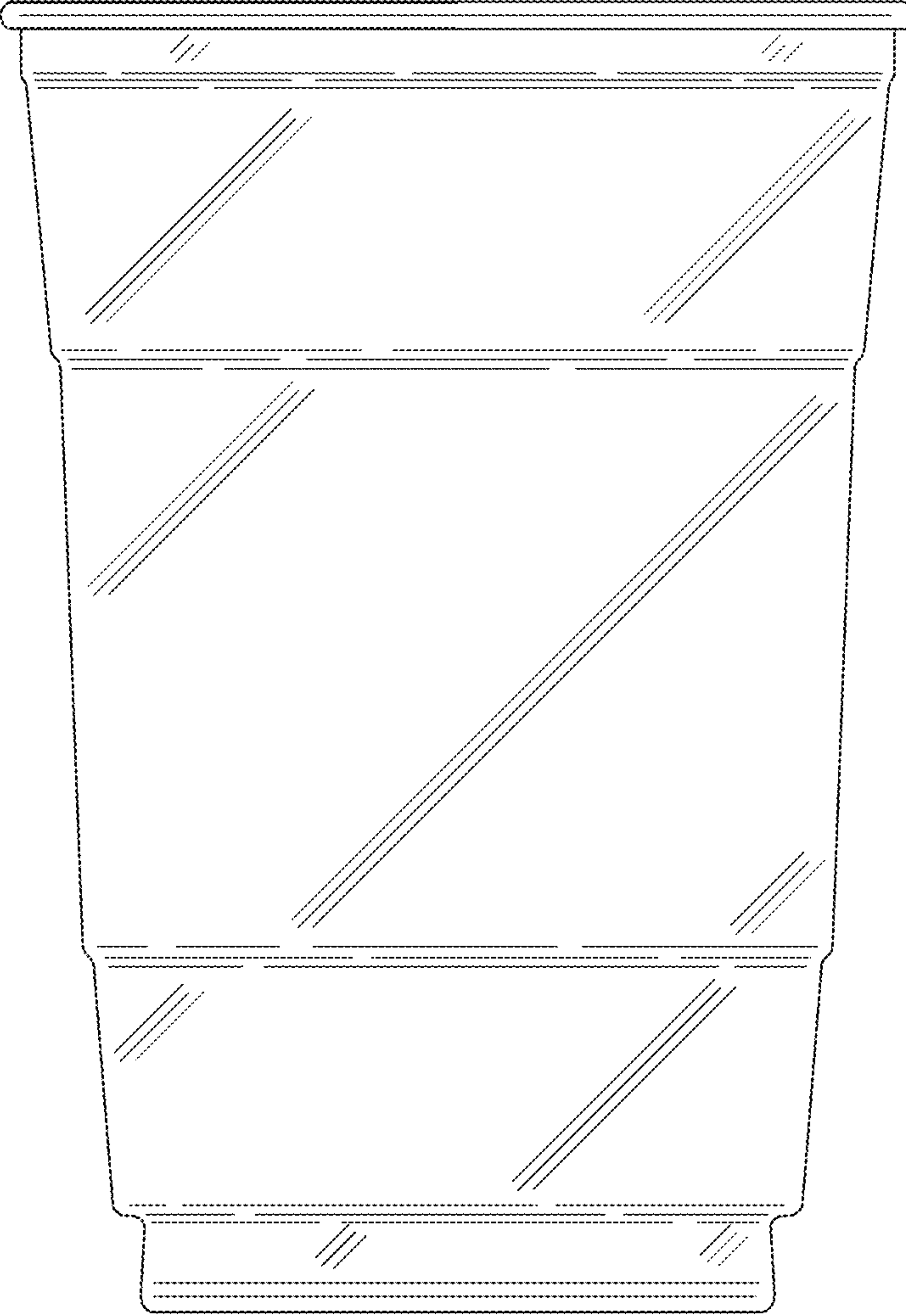


FIG.57

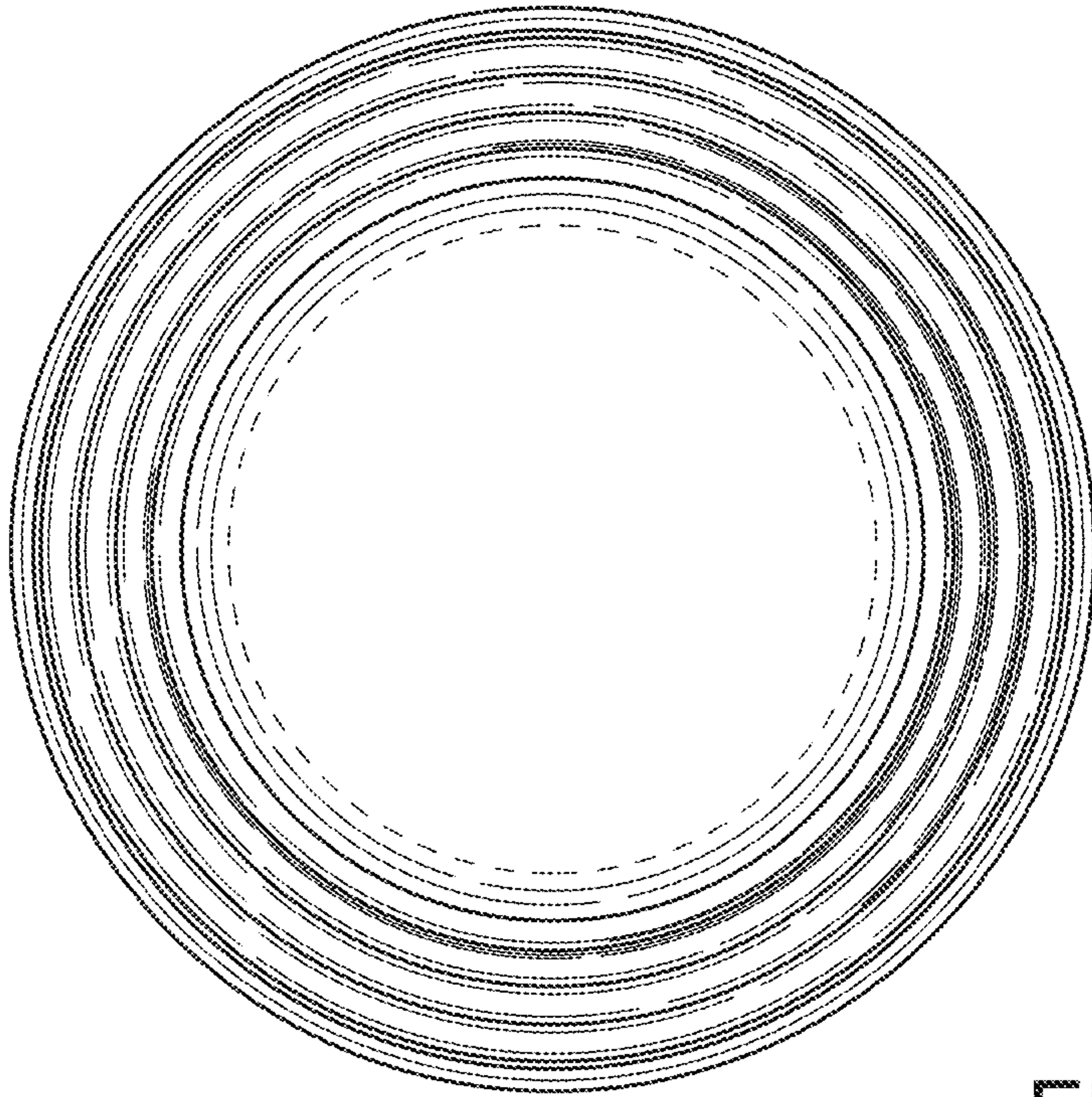


FIG. 58

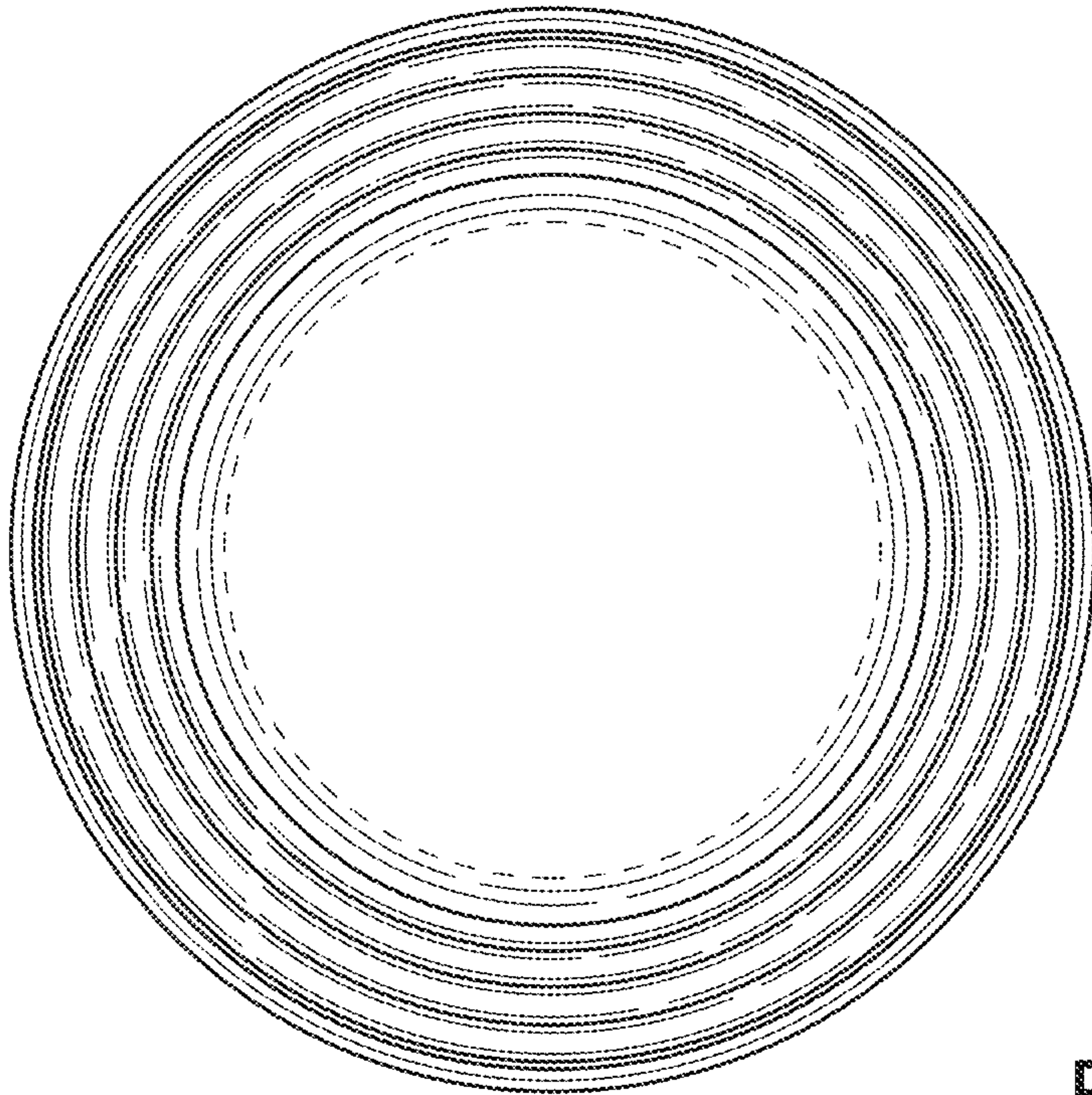


FIG. 59

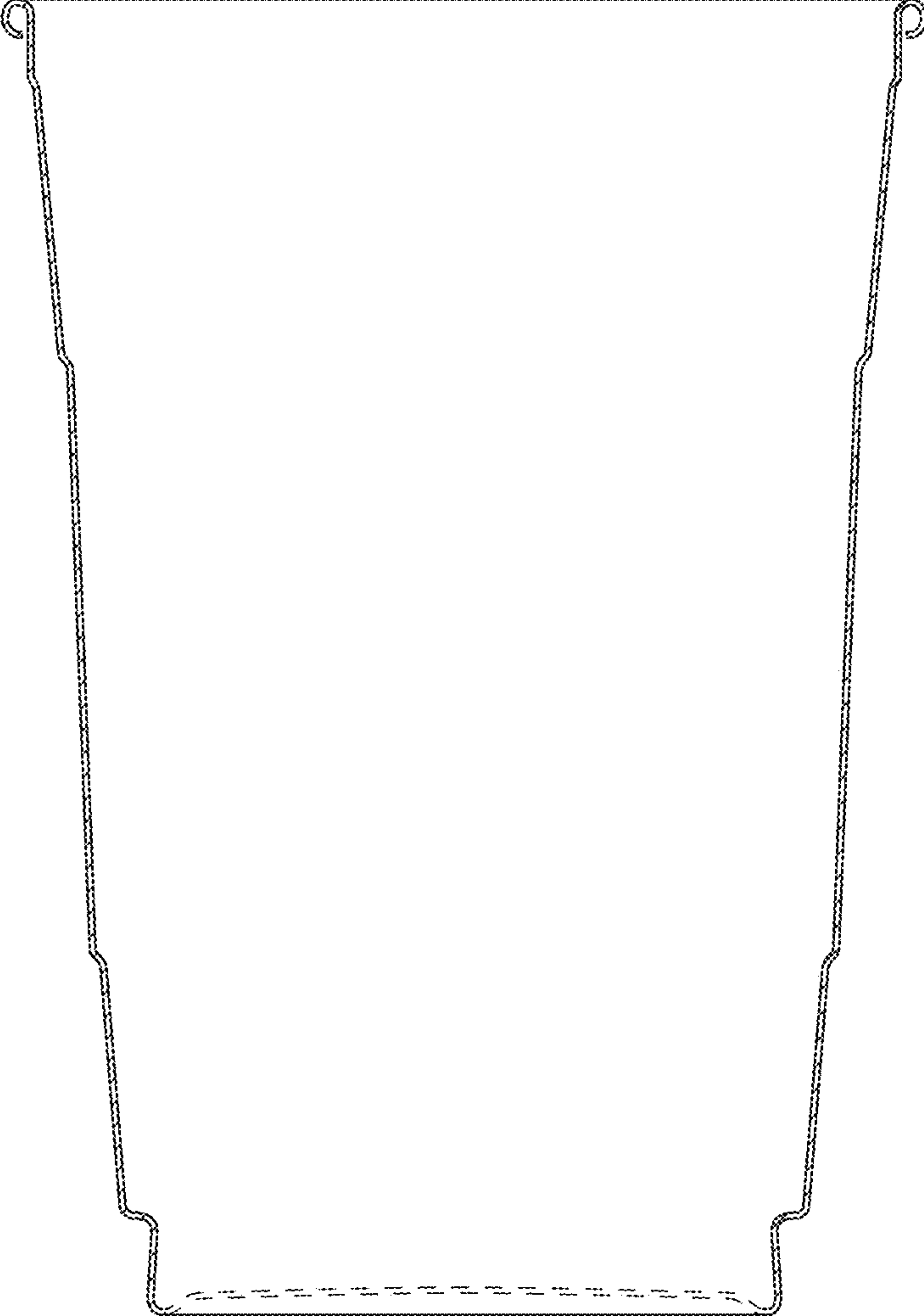


FIG. 60

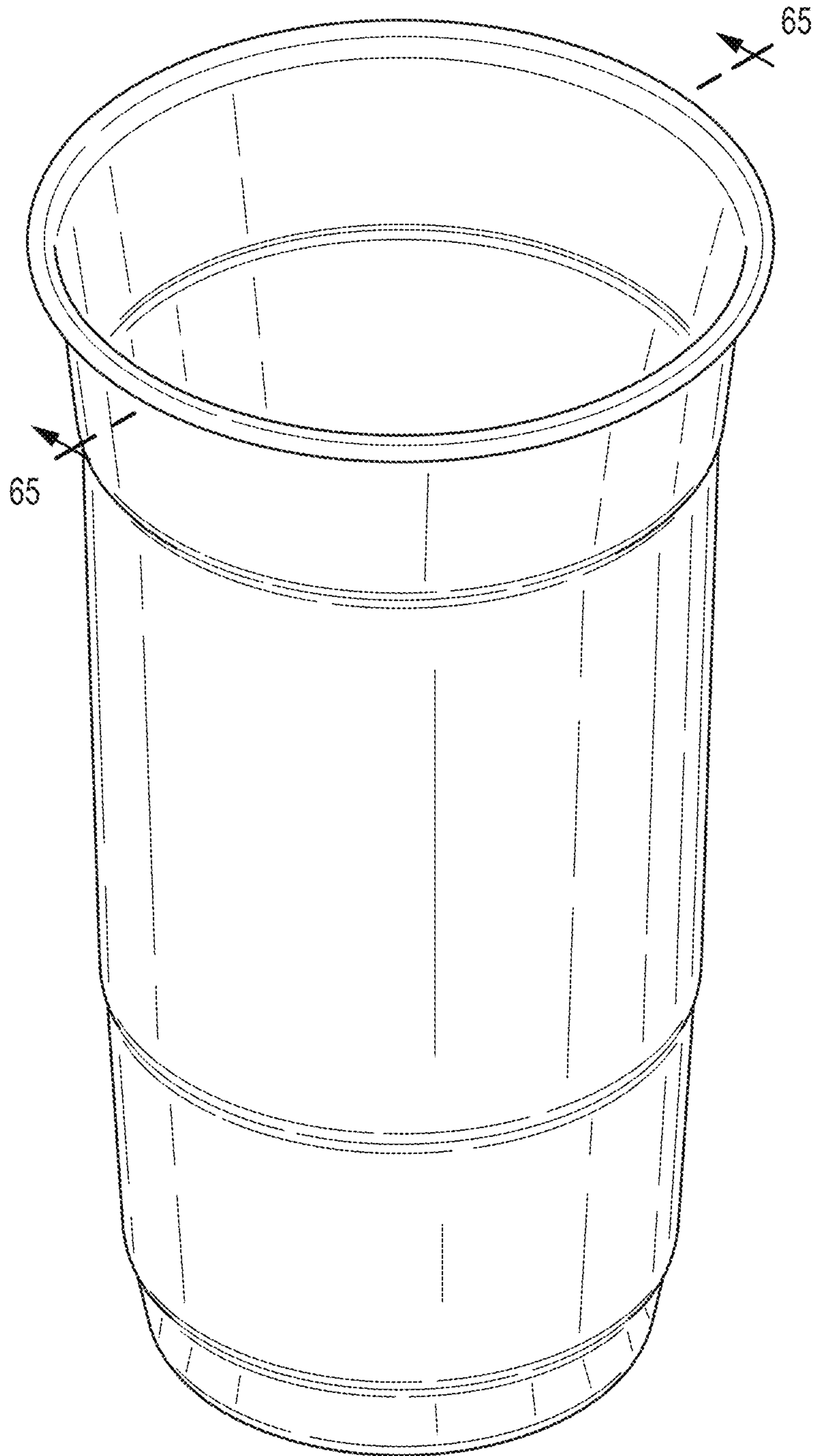


FIG.61

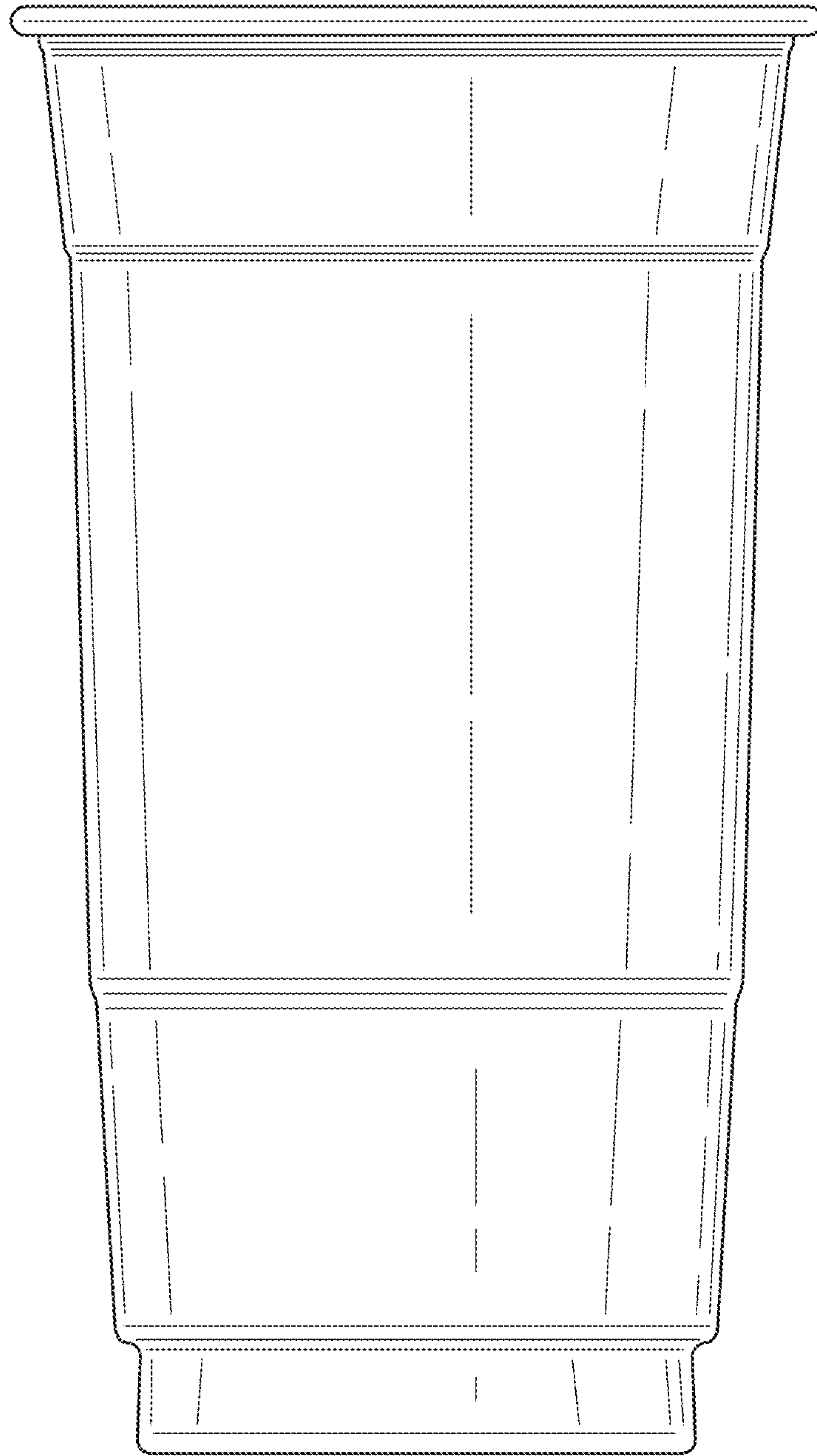


FIG.62

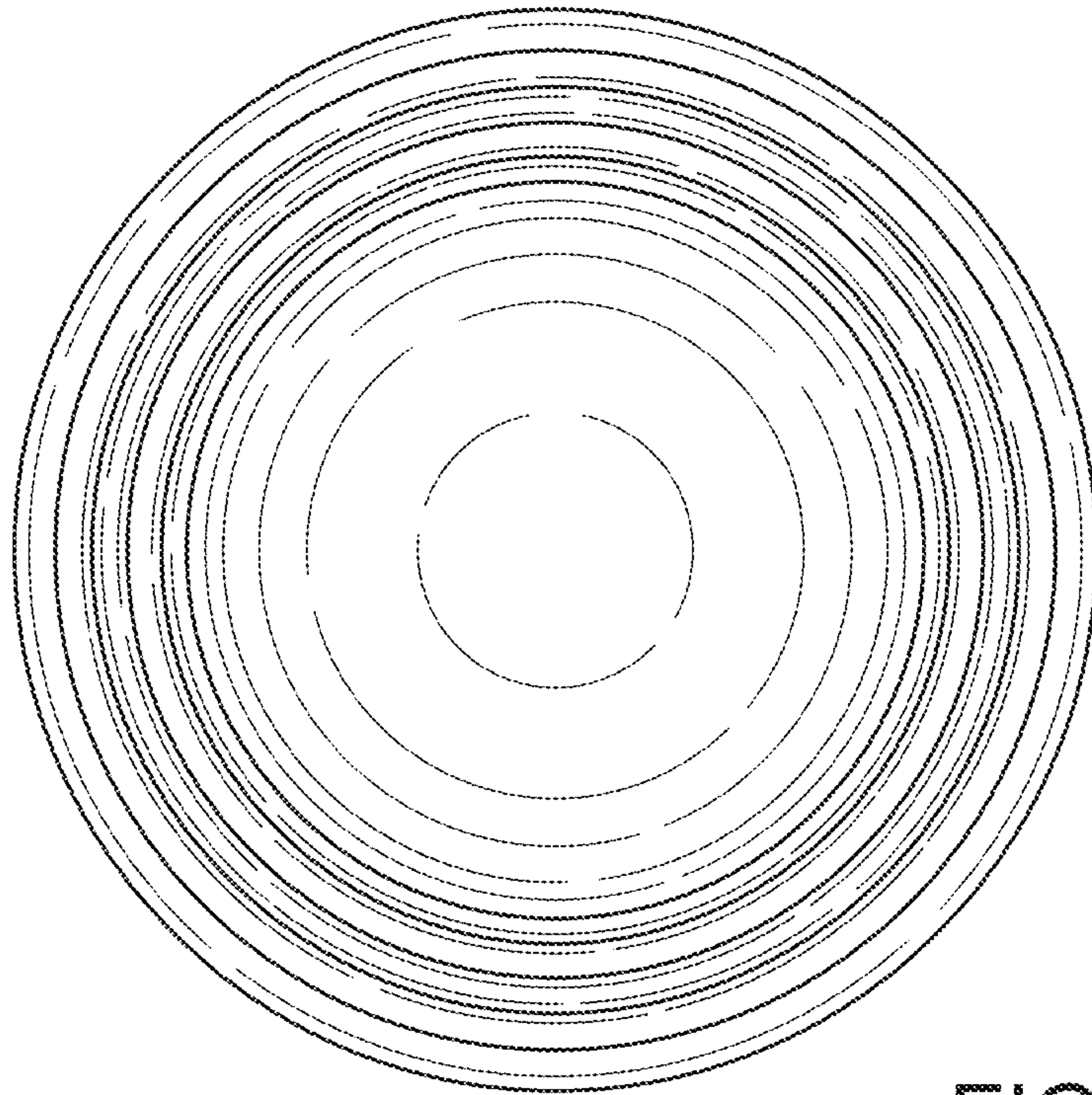


FIG. 63

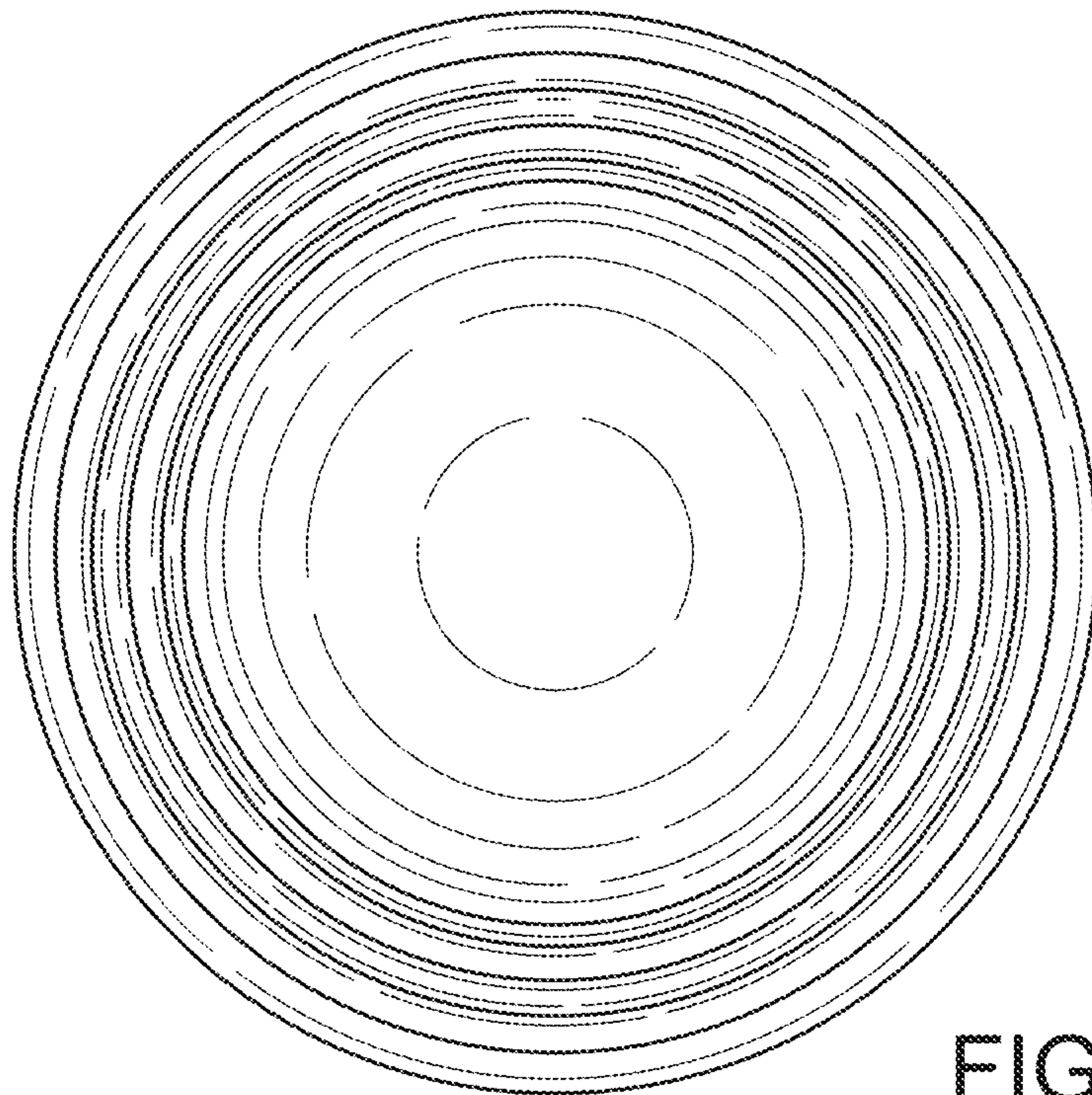


FIG. 64

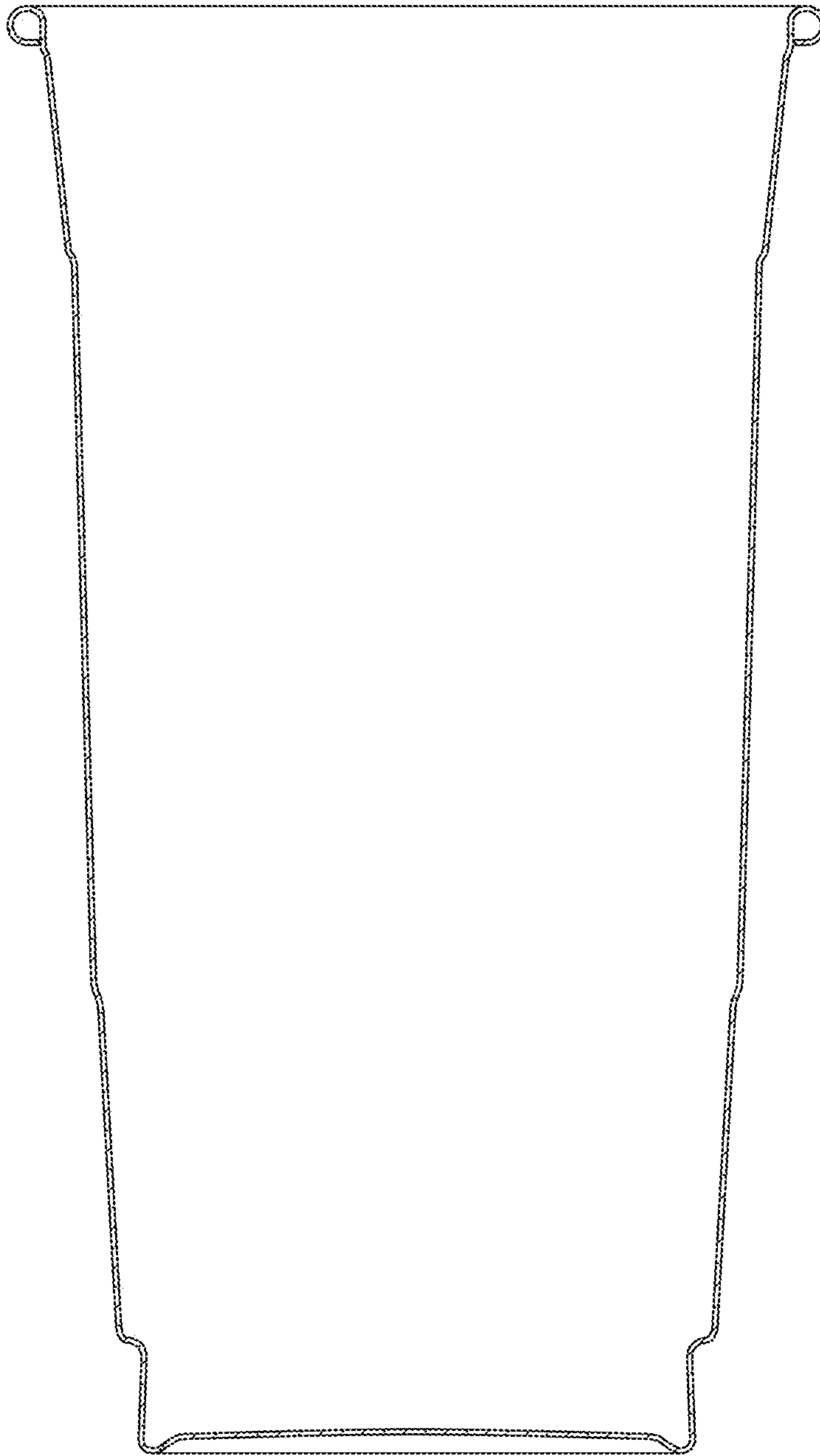


FIG.65

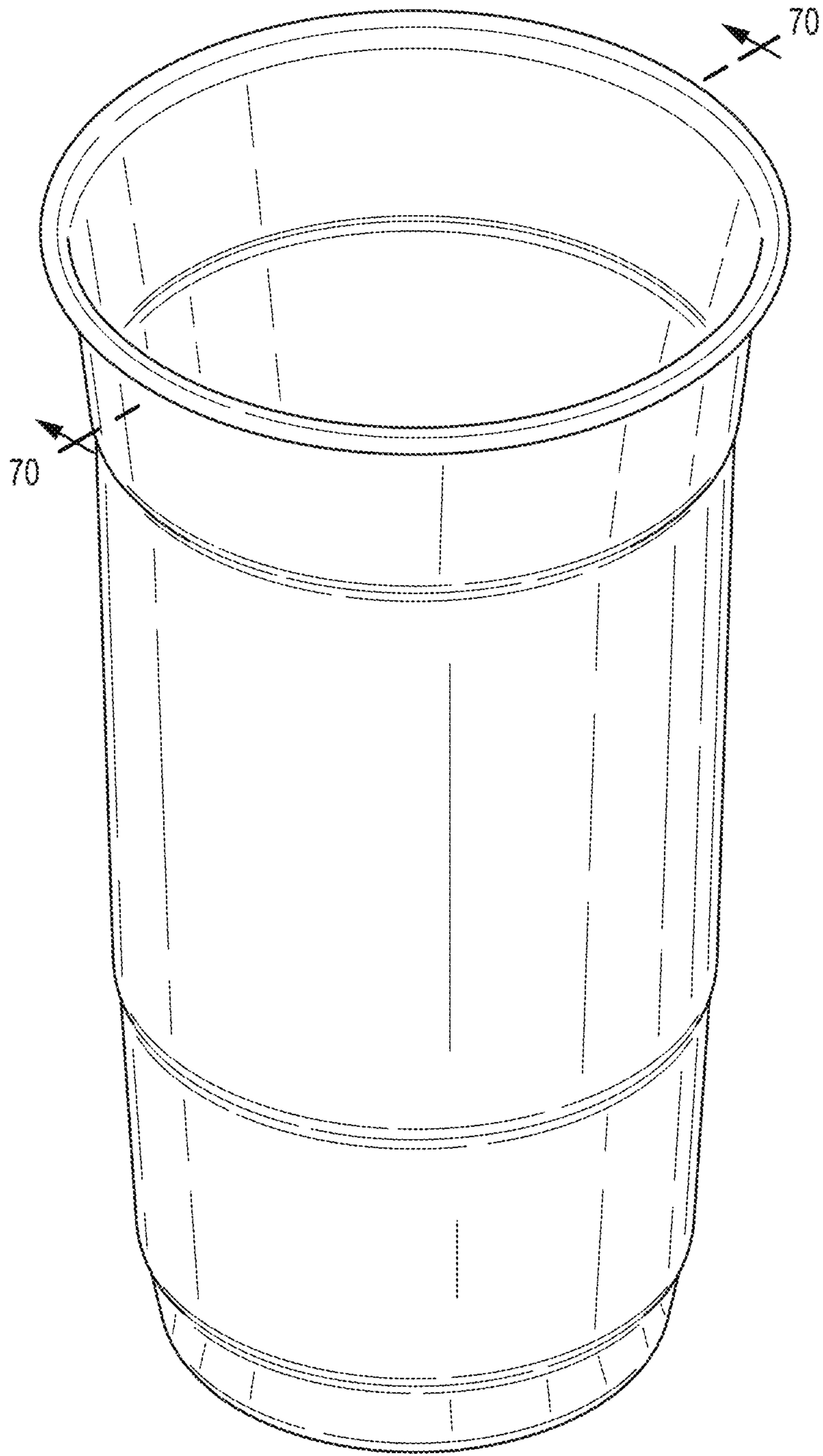


FIG.66

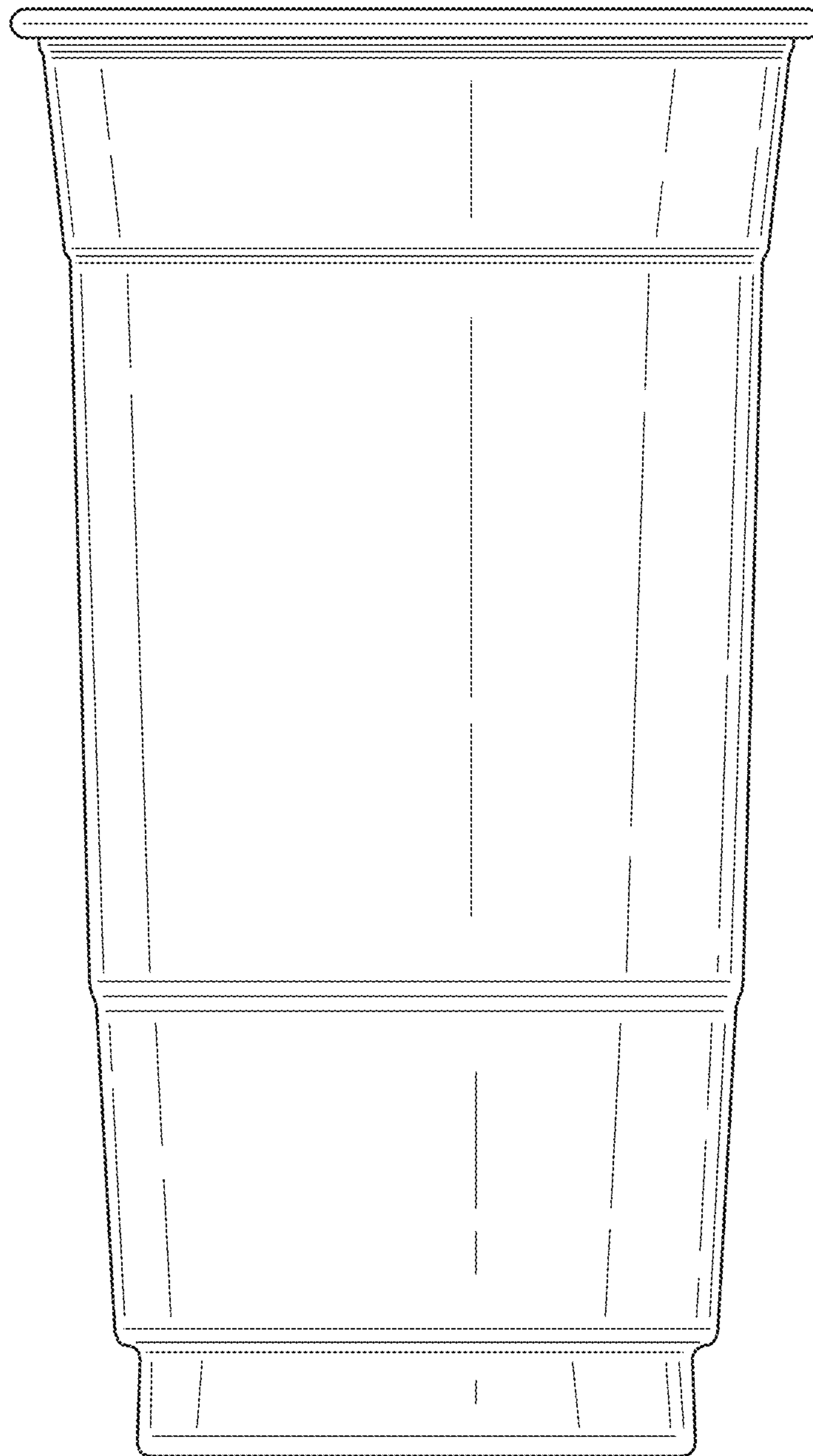


FIG.67

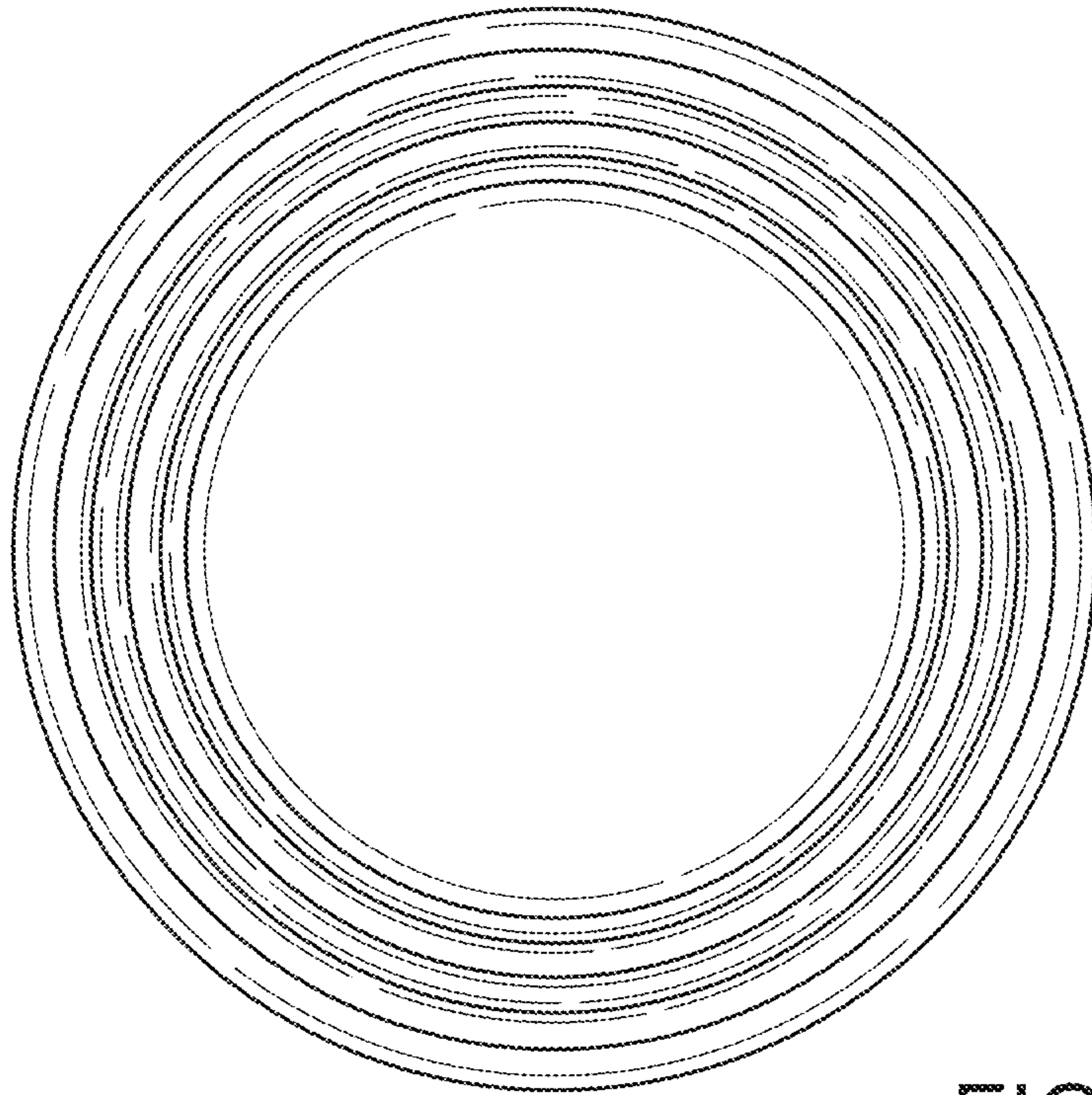


FIG. 68

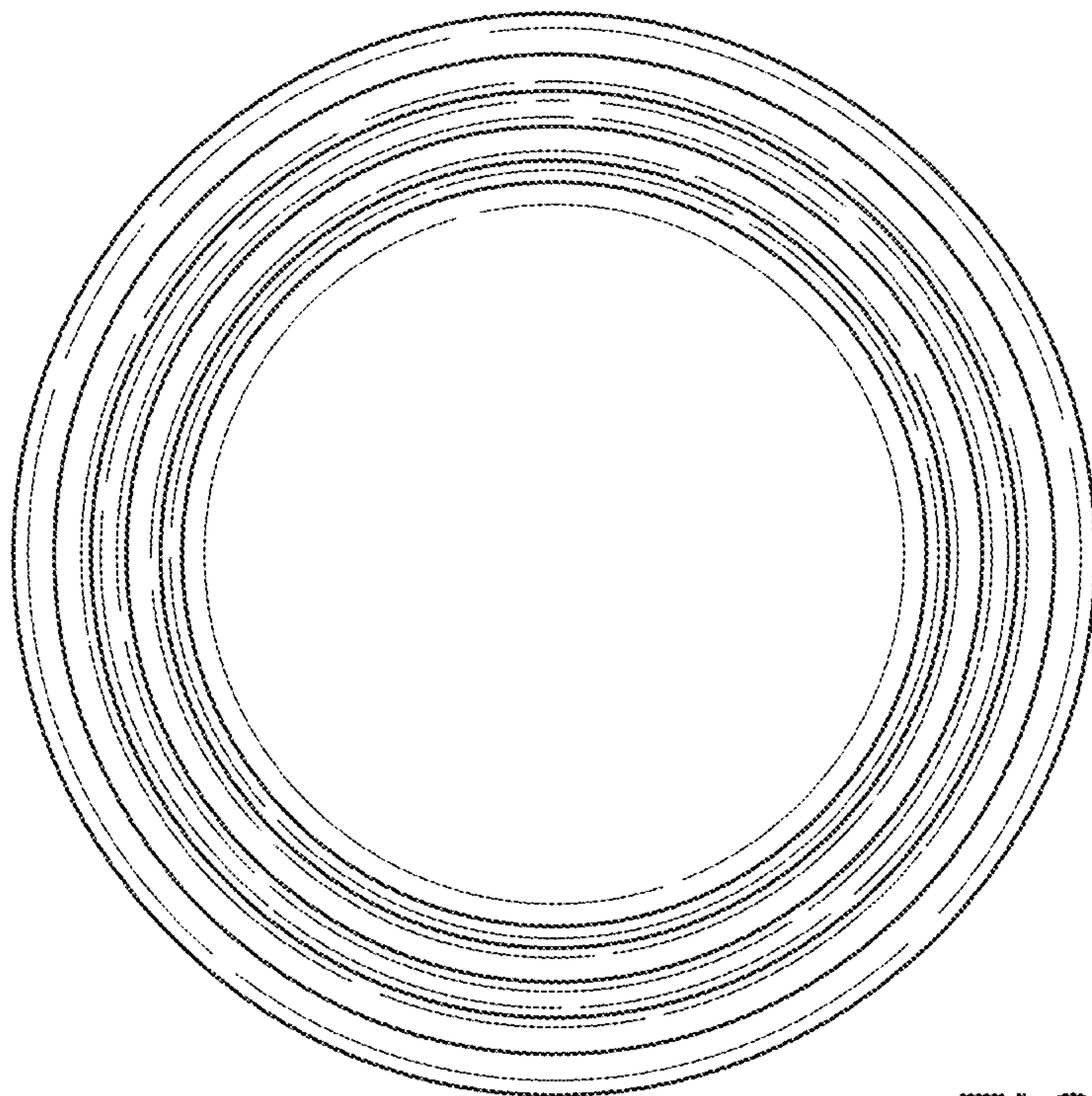


FIG. 69

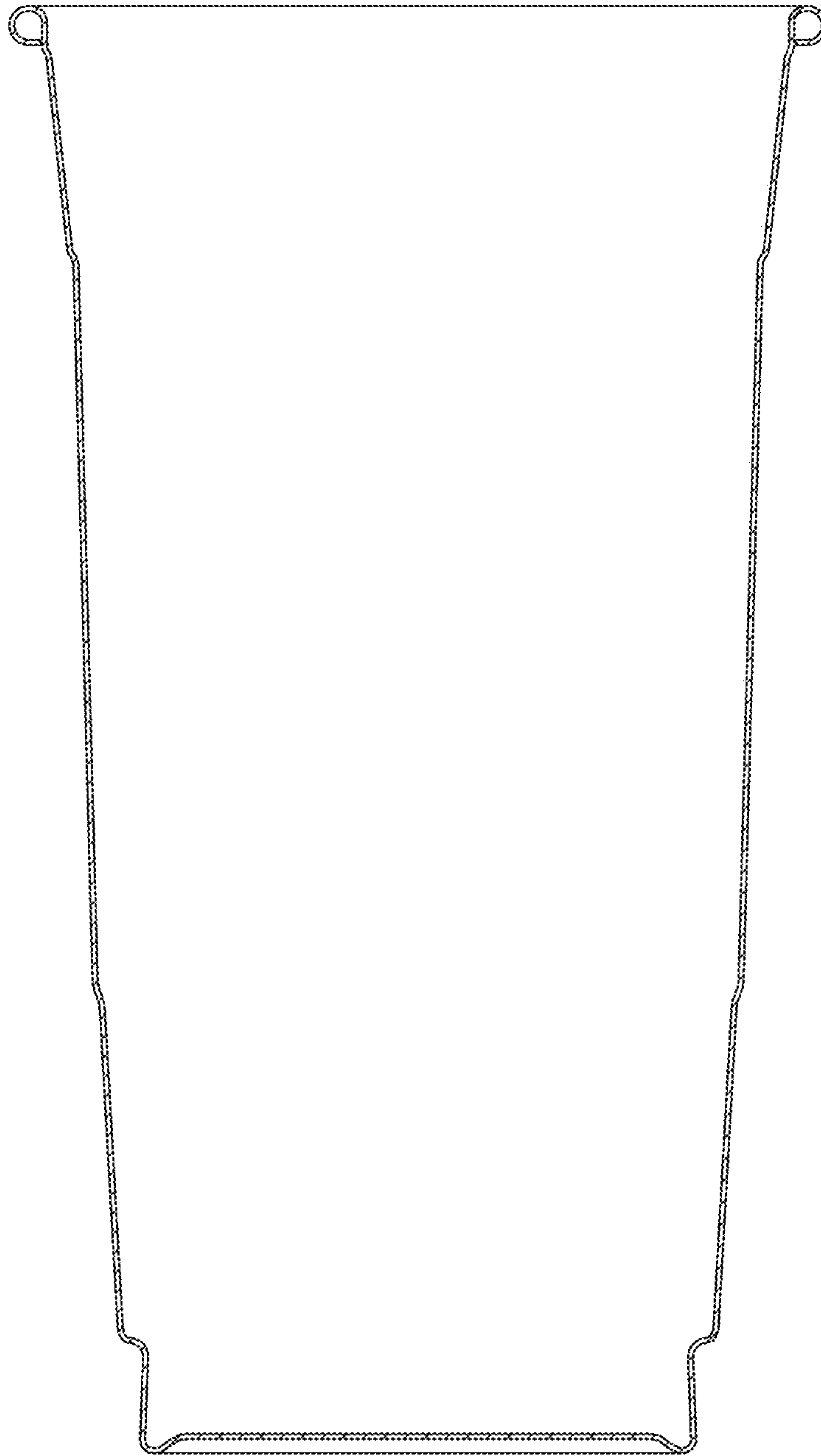


FIG.70

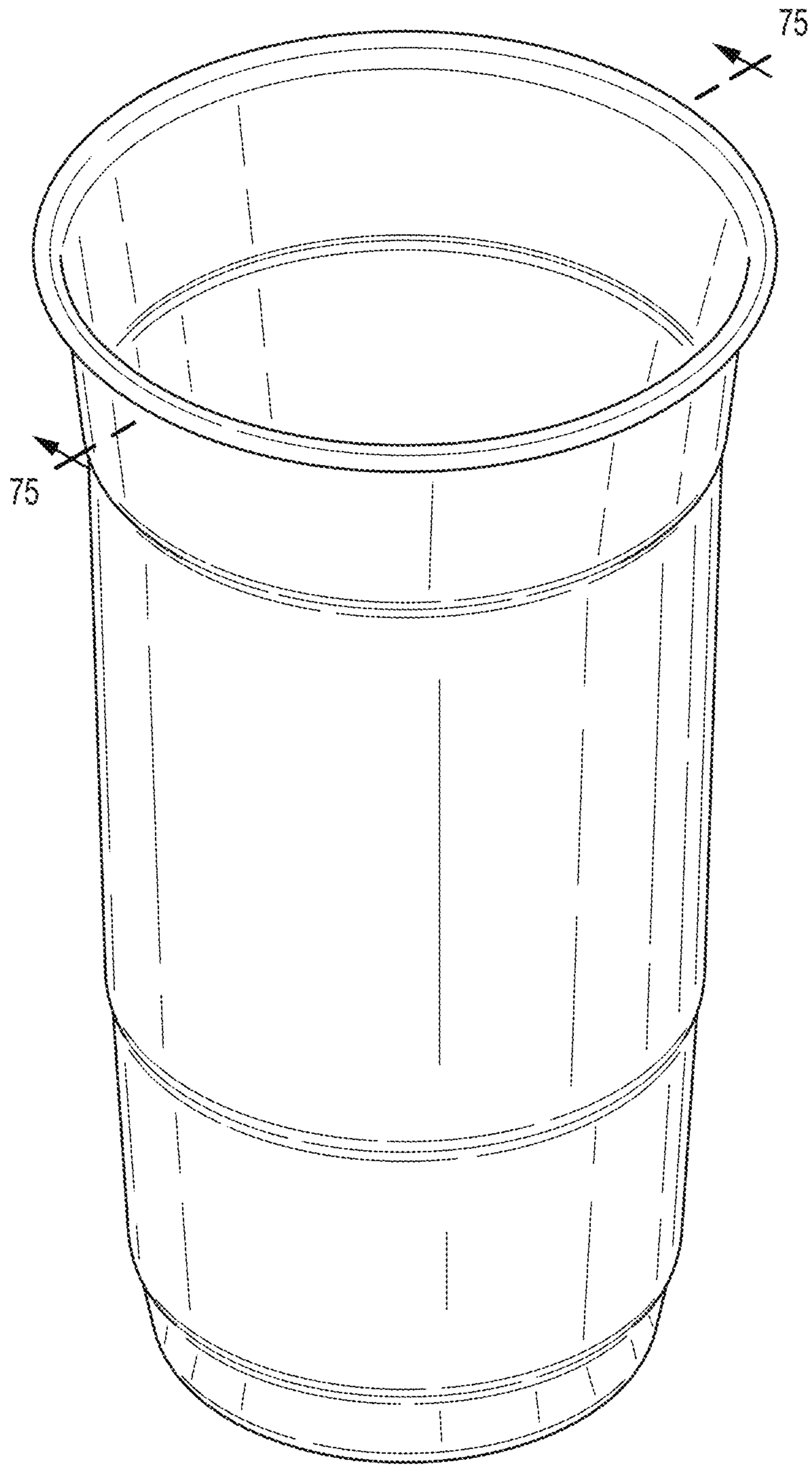


FIG.71

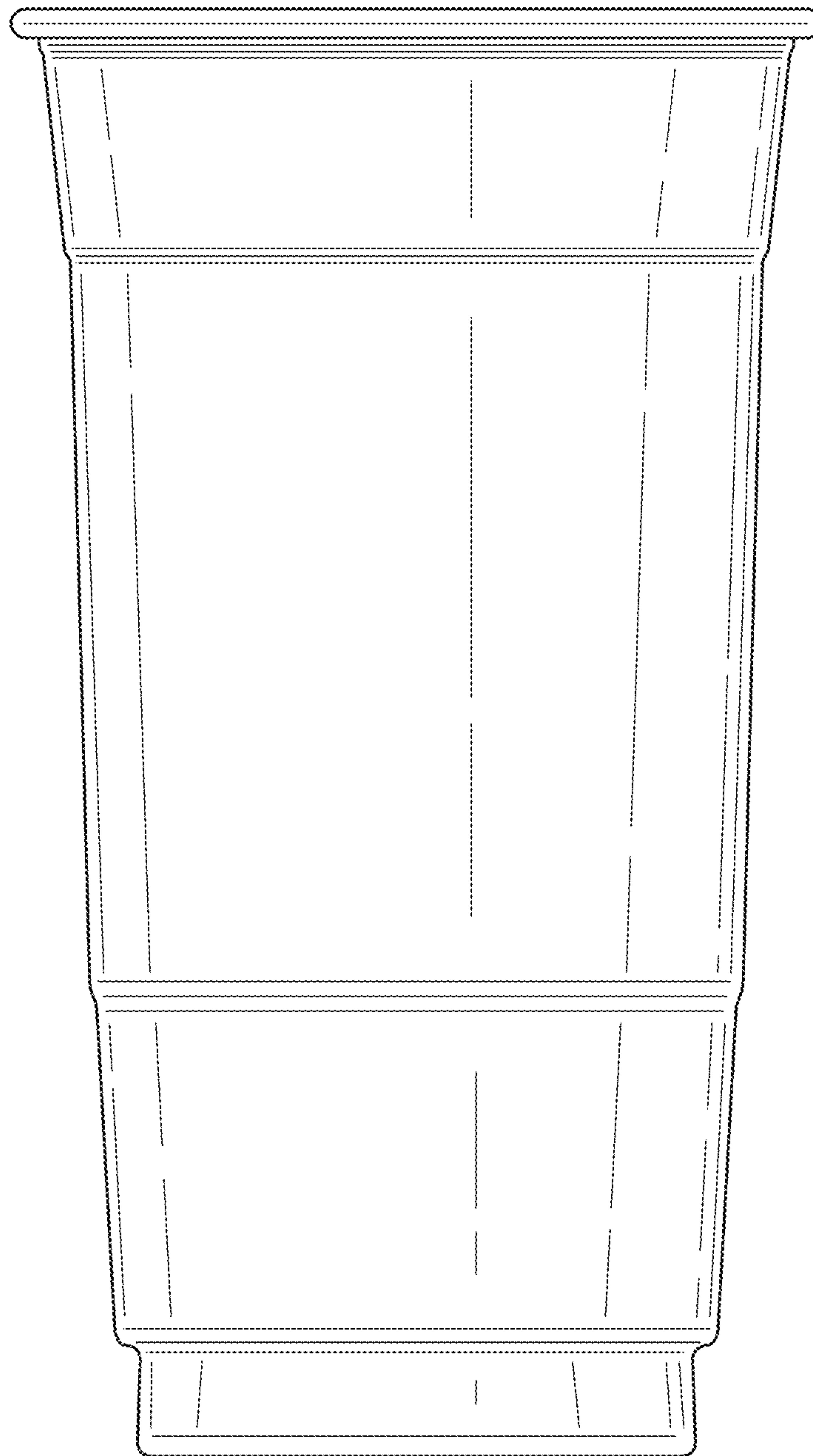


FIG.72

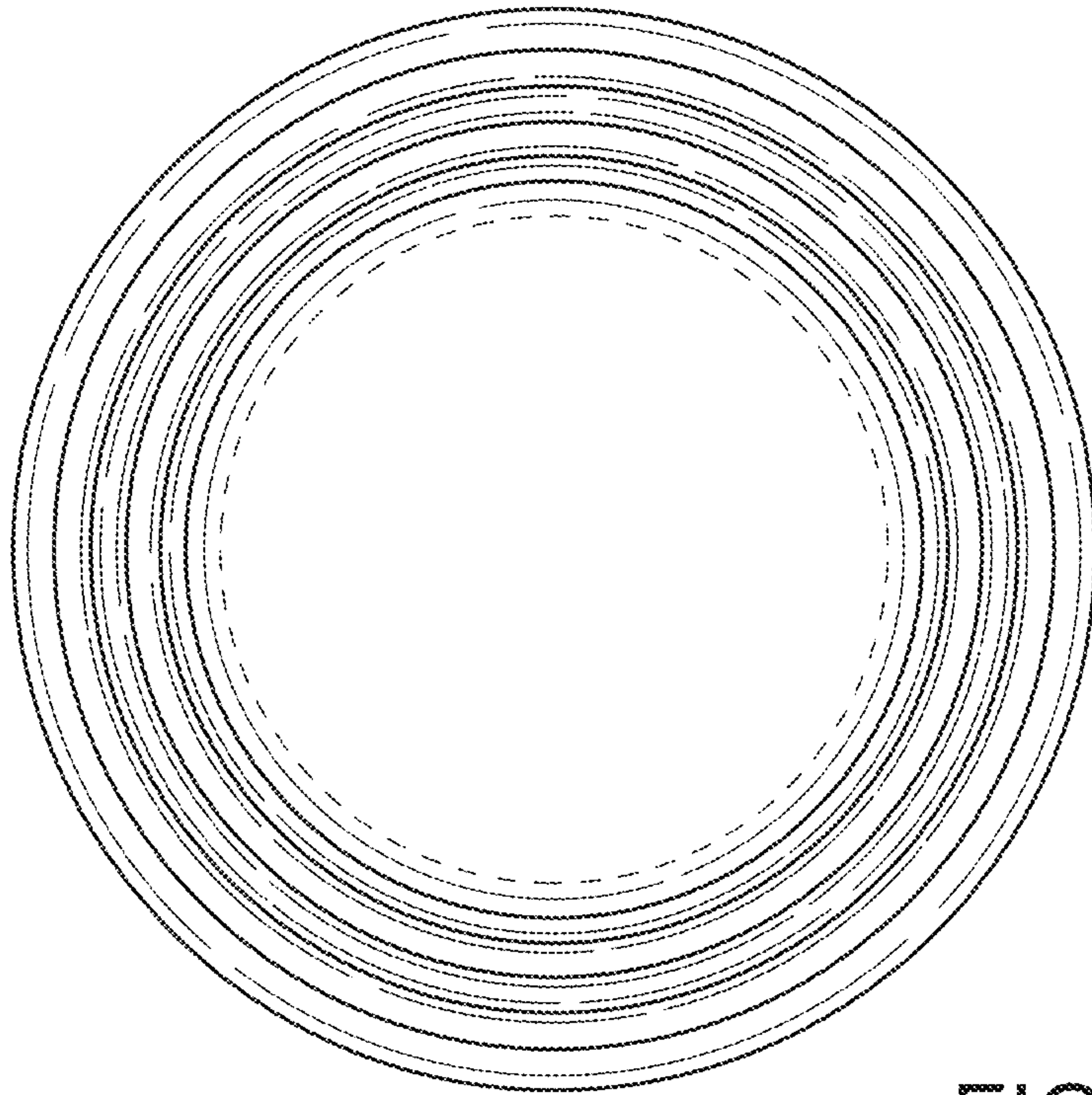


FIG. 73

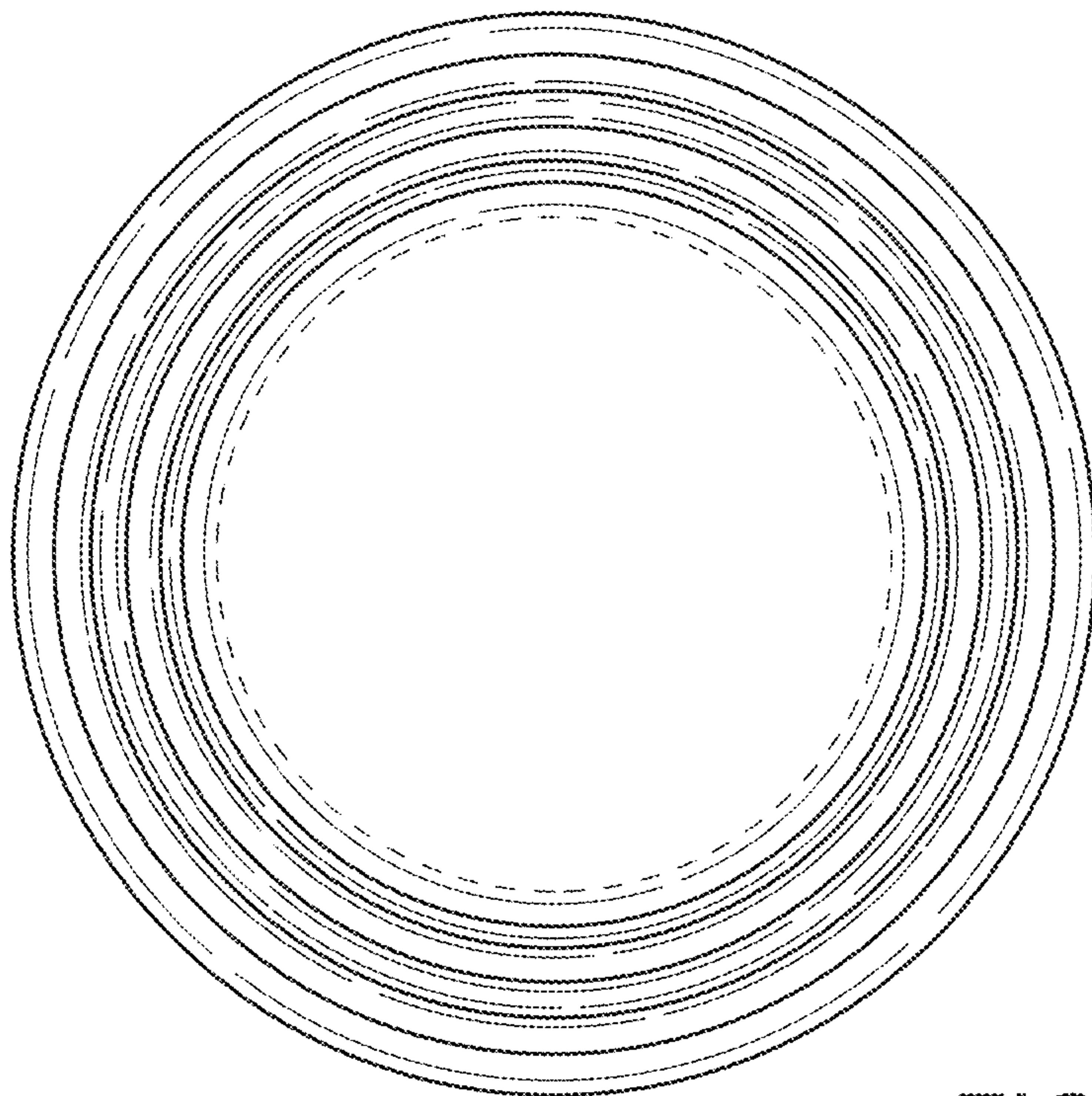


FIG. 74

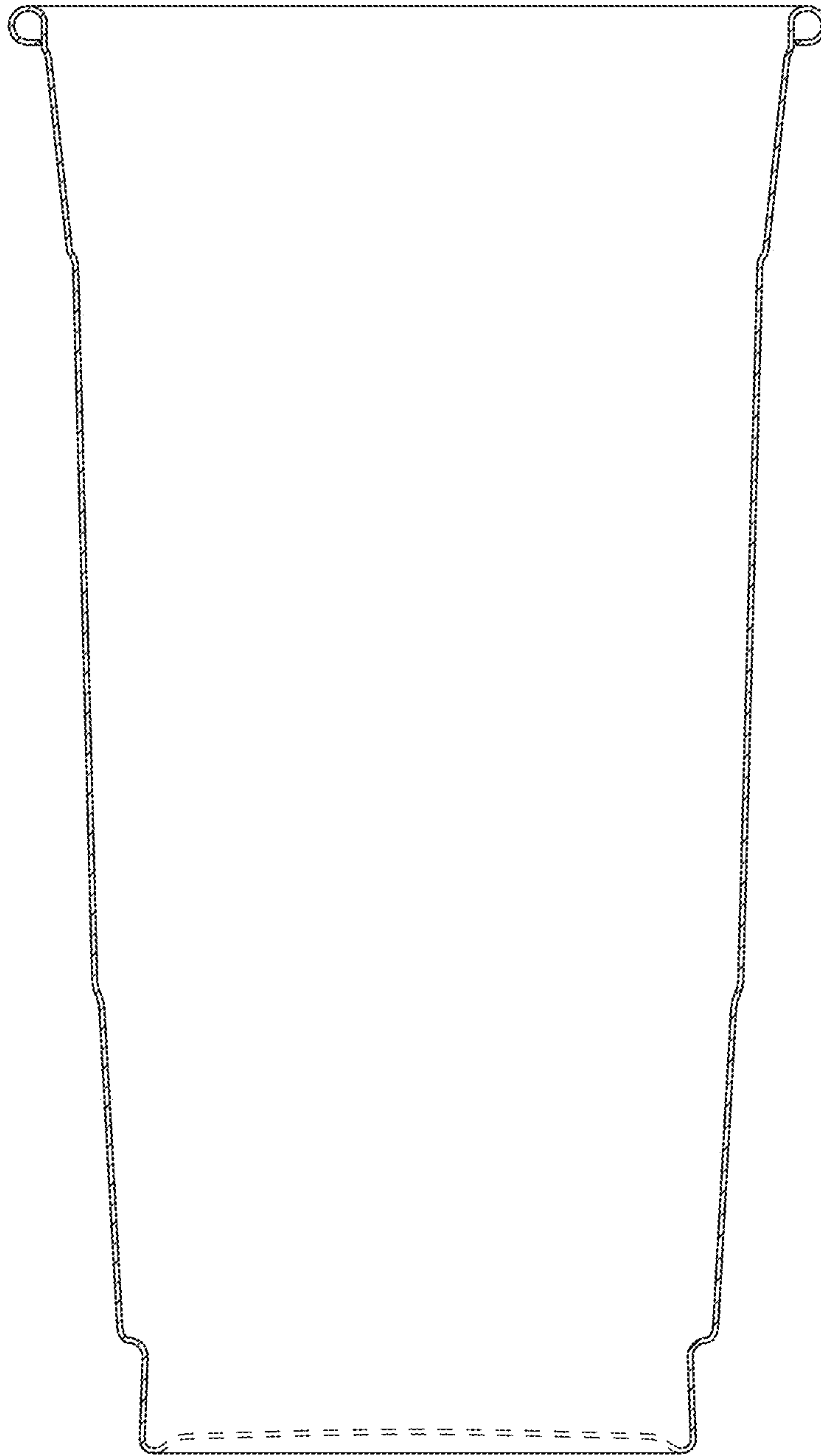


FIG.75

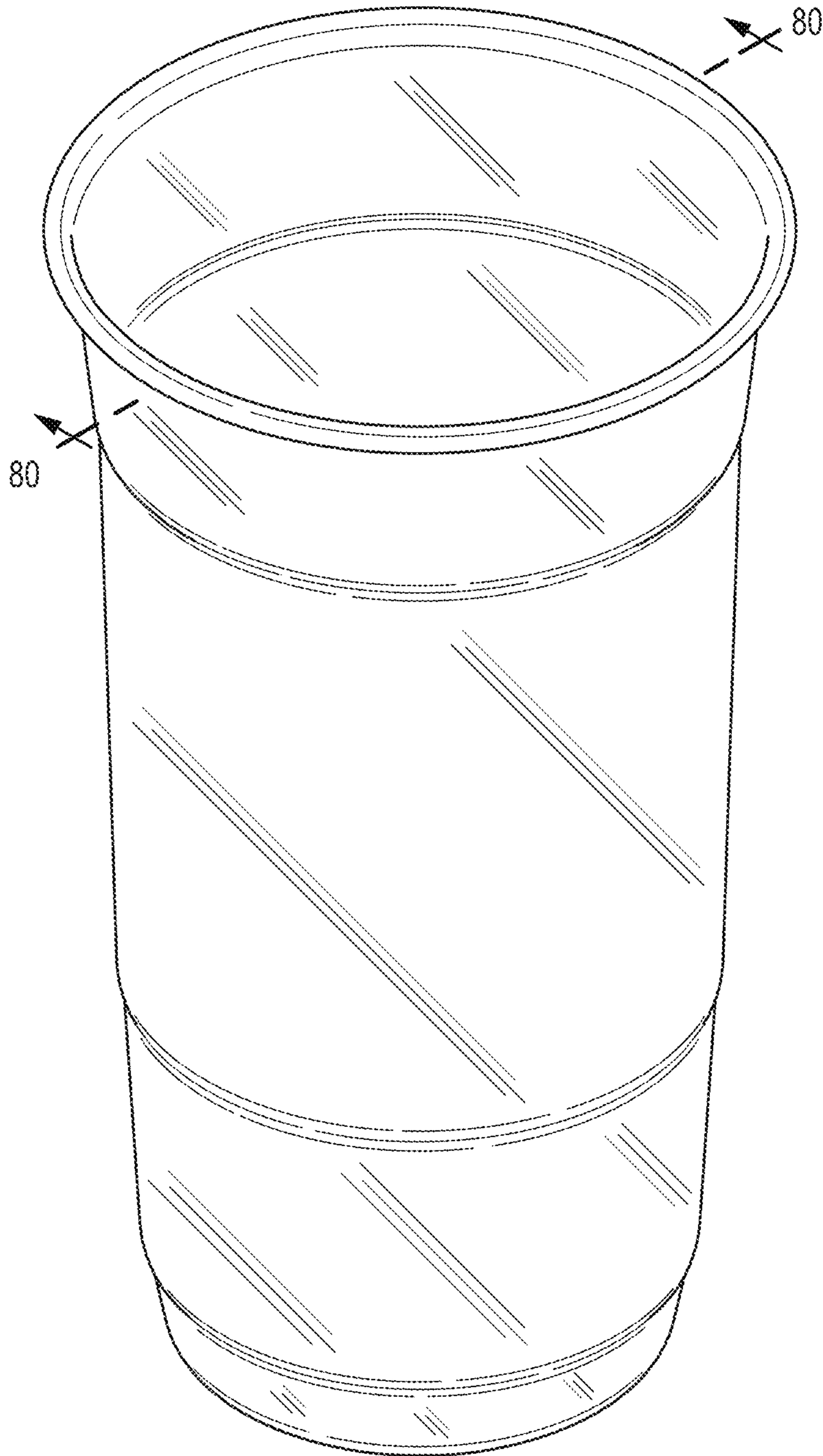


FIG.76

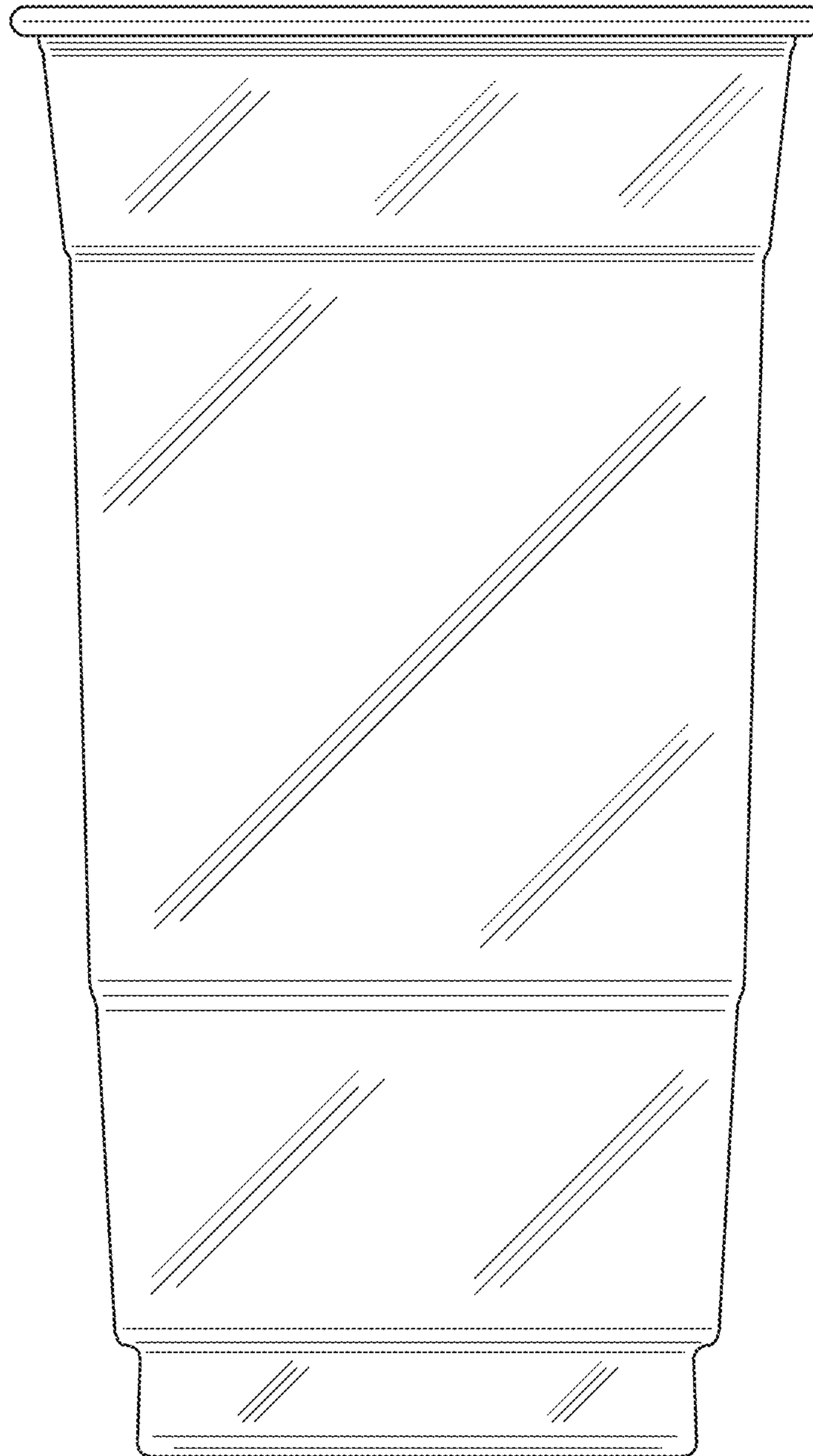


FIG.77

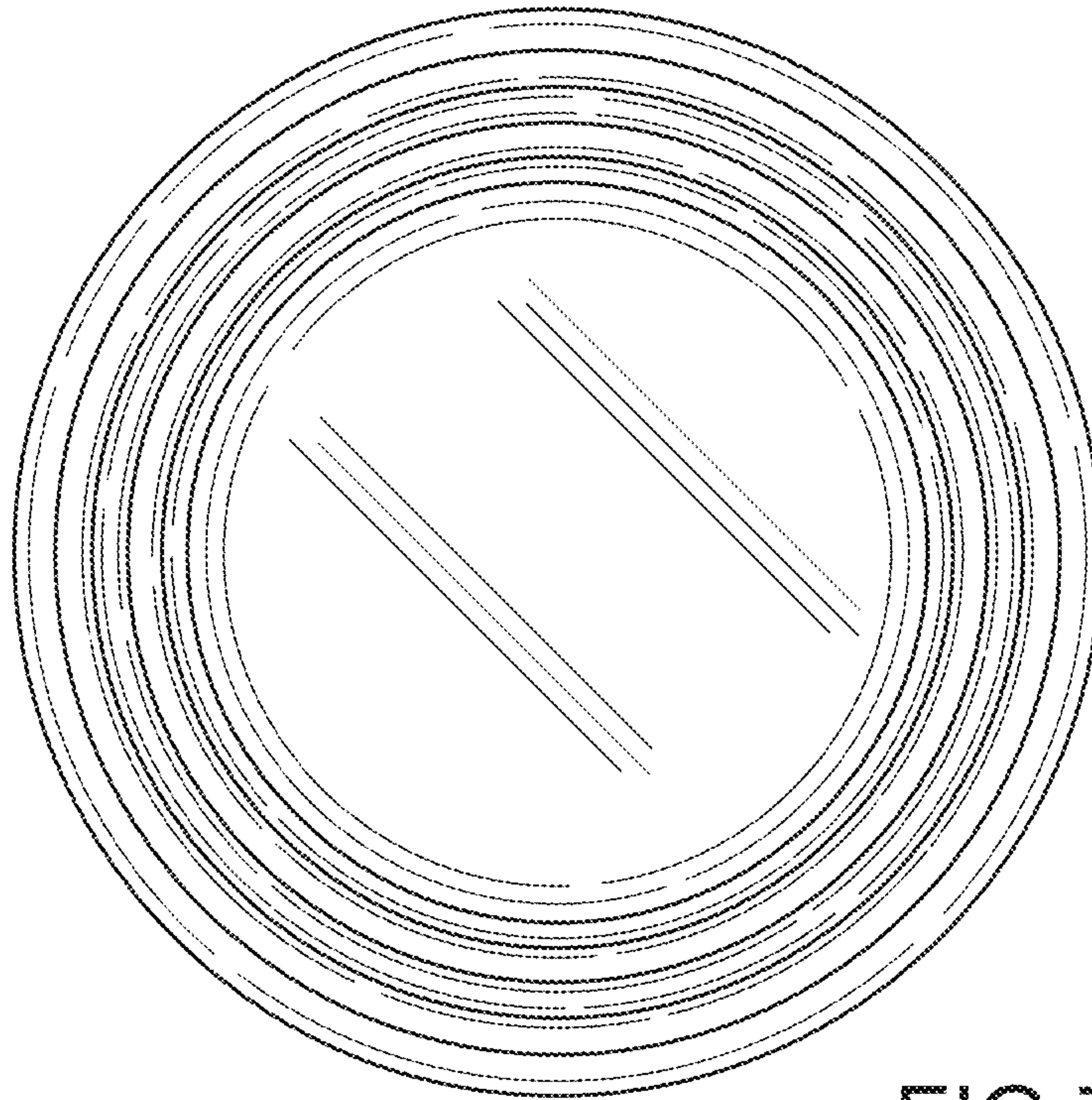


FIG. 78

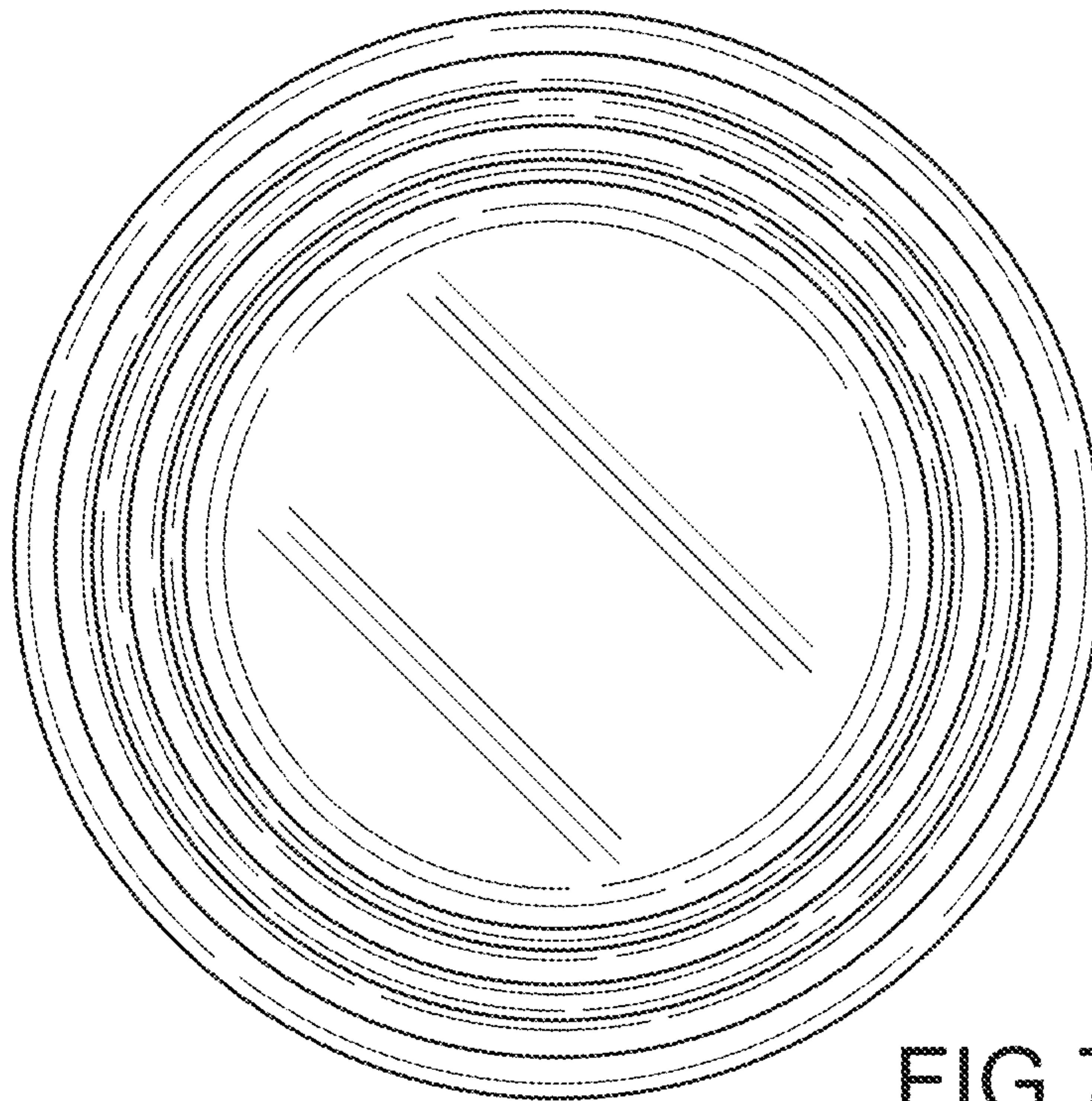


FIG. 79

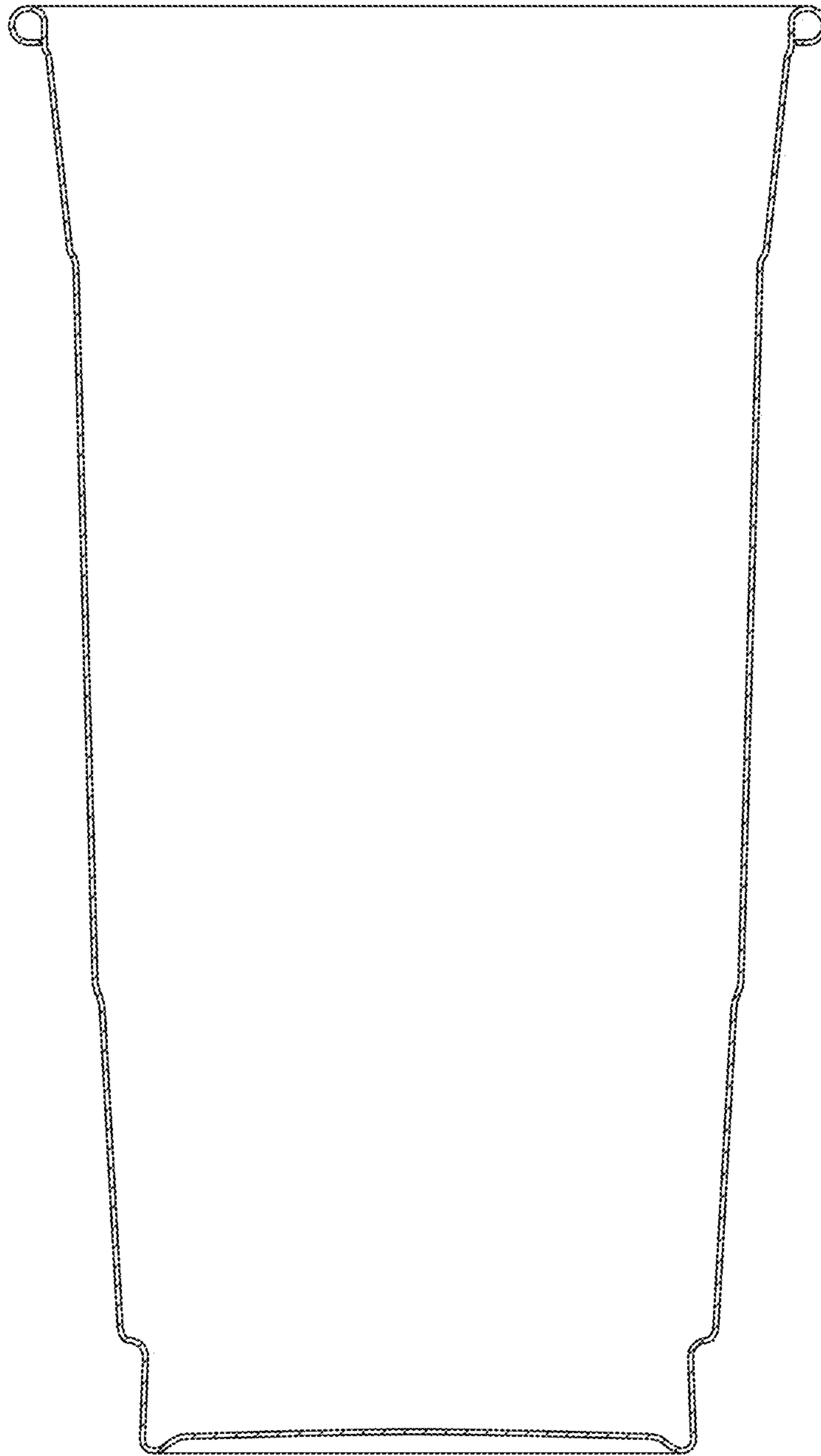


FIG.80

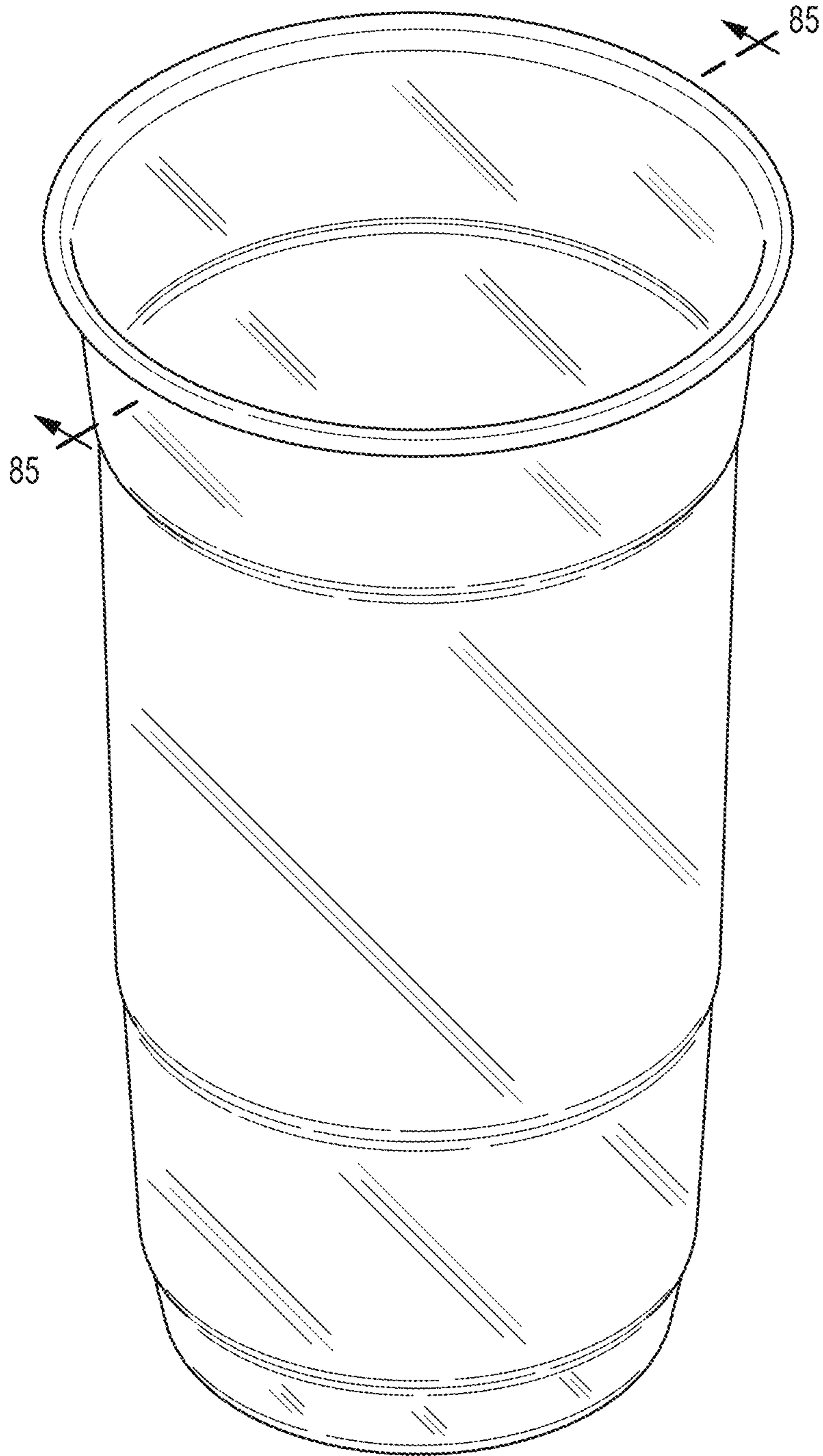


FIG.81

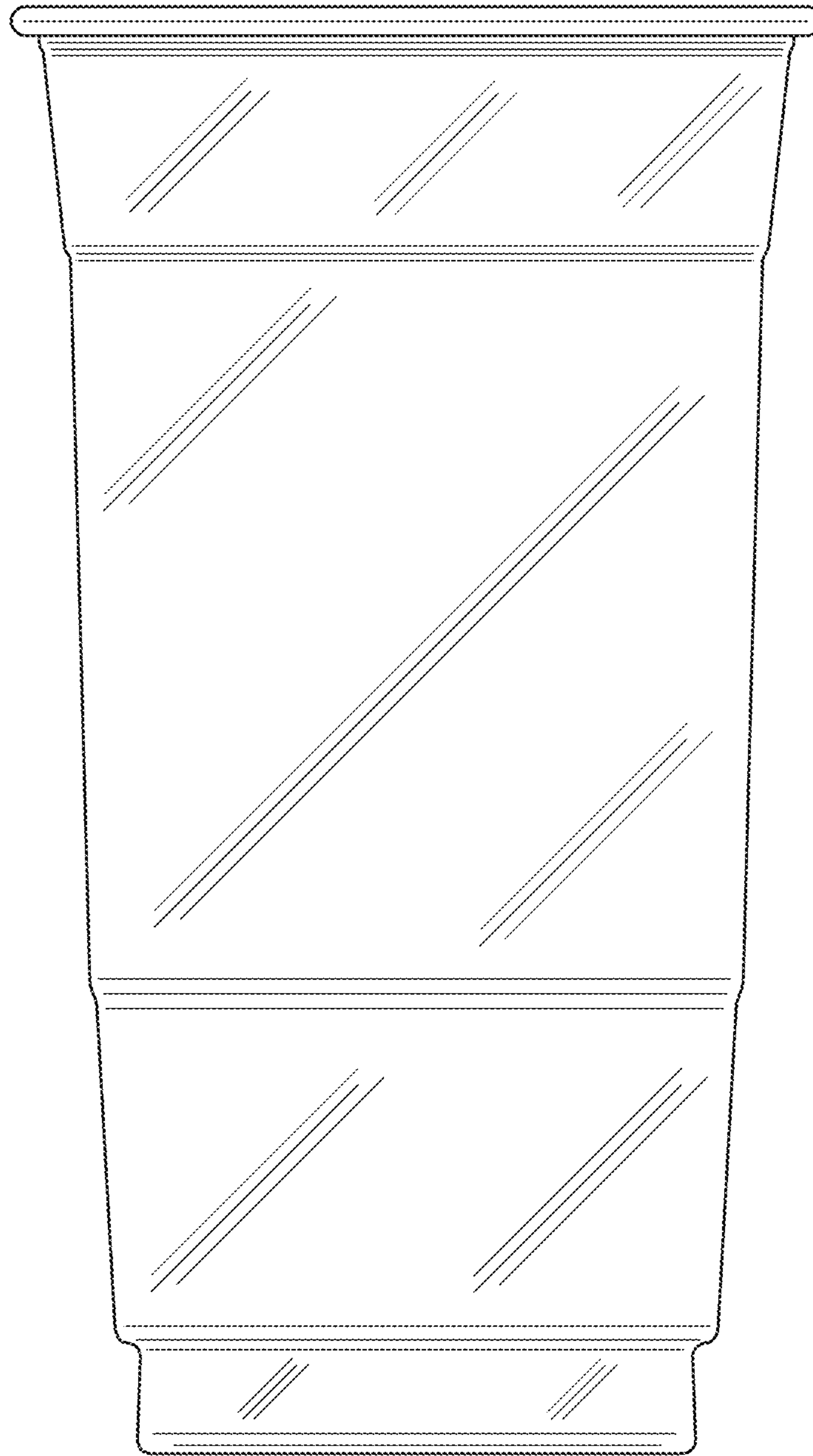


FIG.82

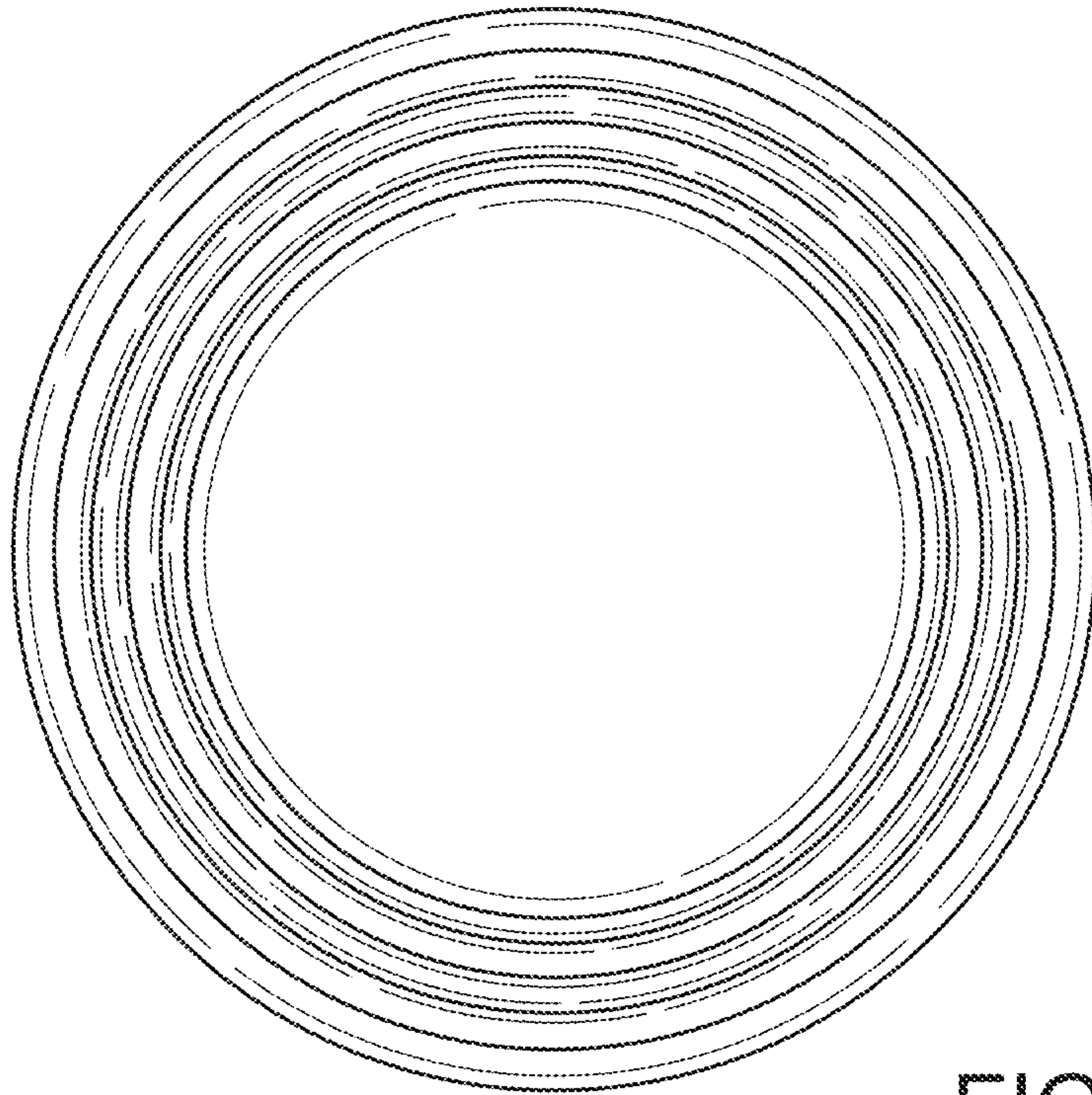


FIG. 83

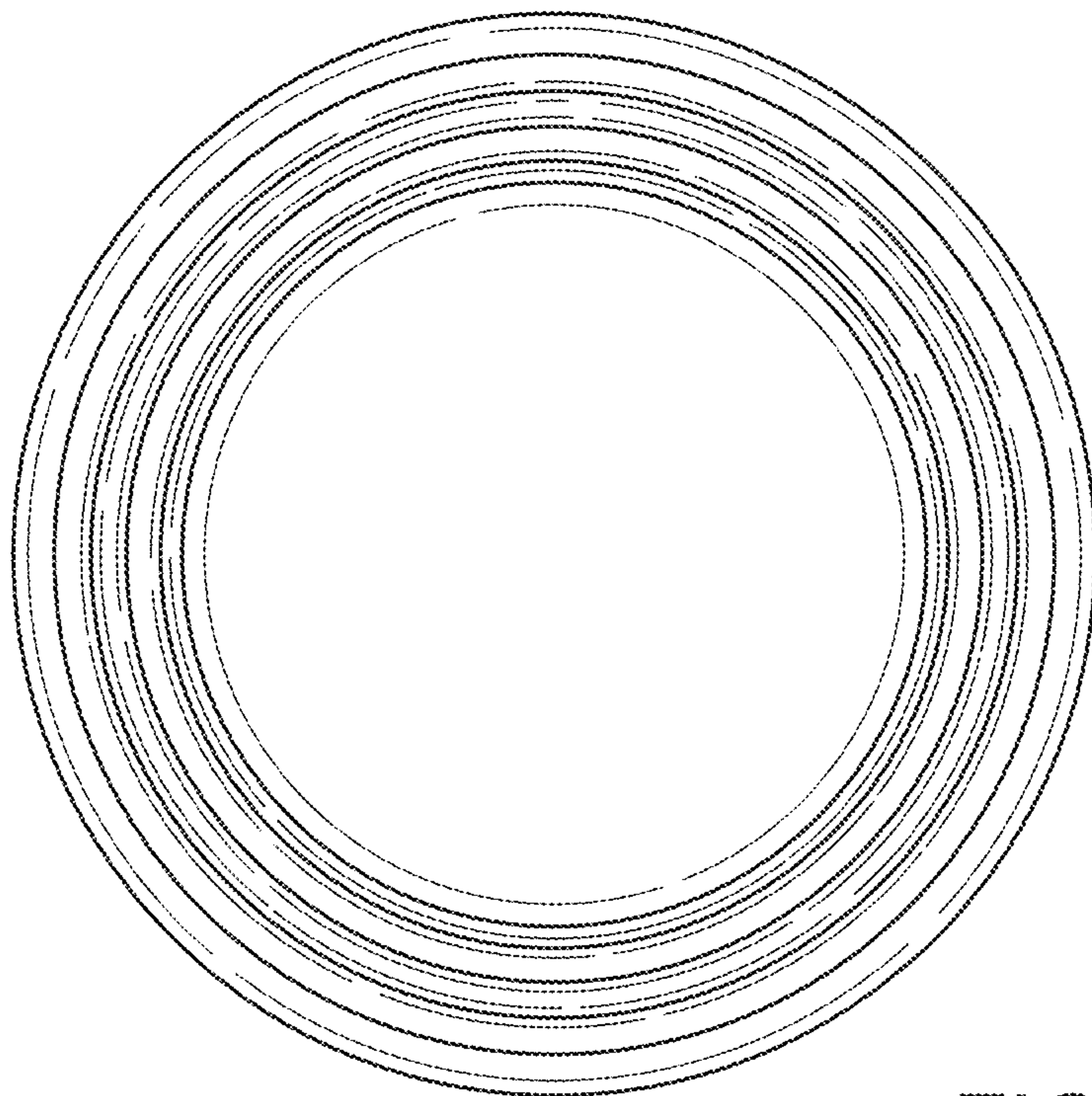


FIG. 84

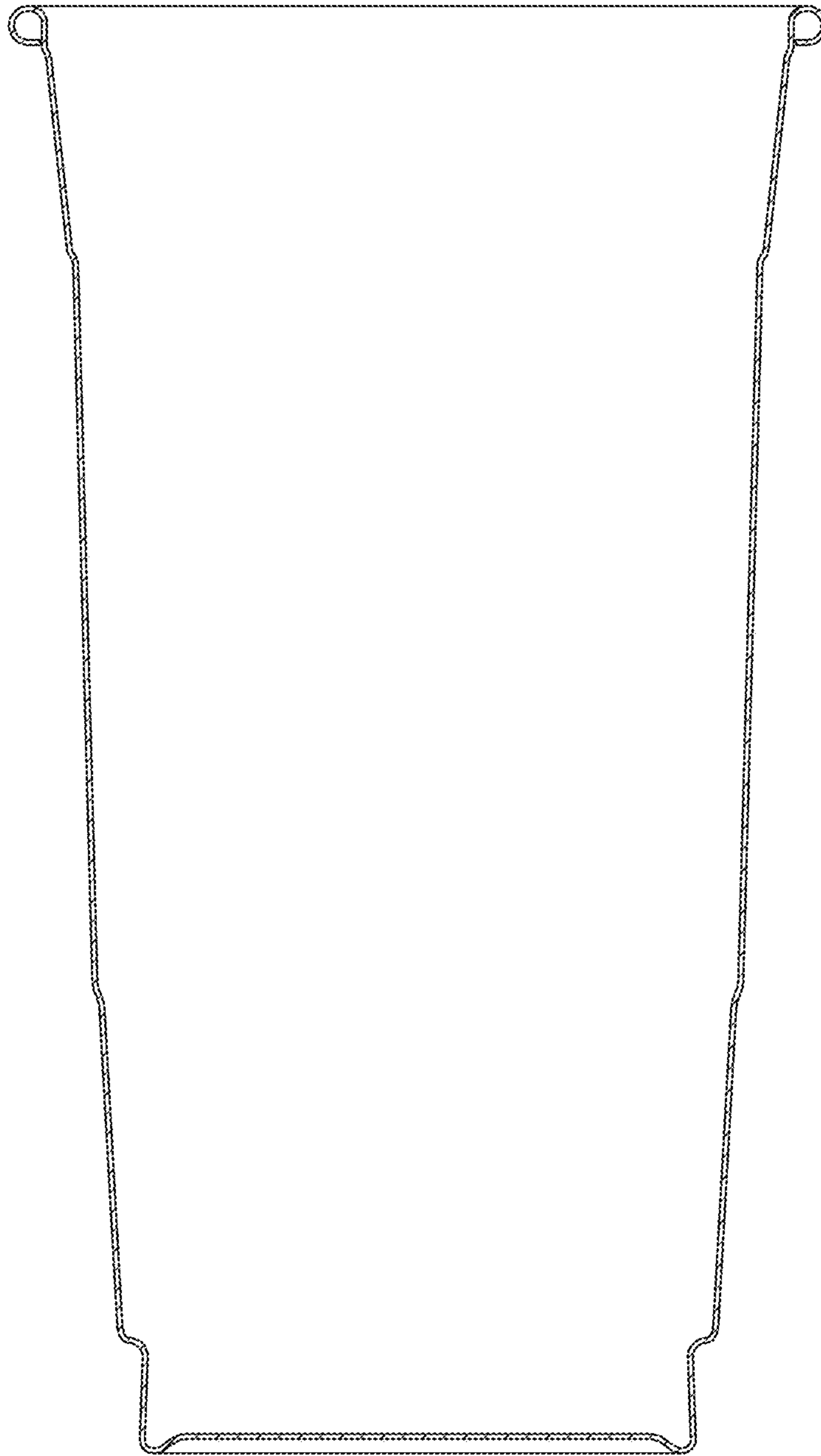


FIG.85

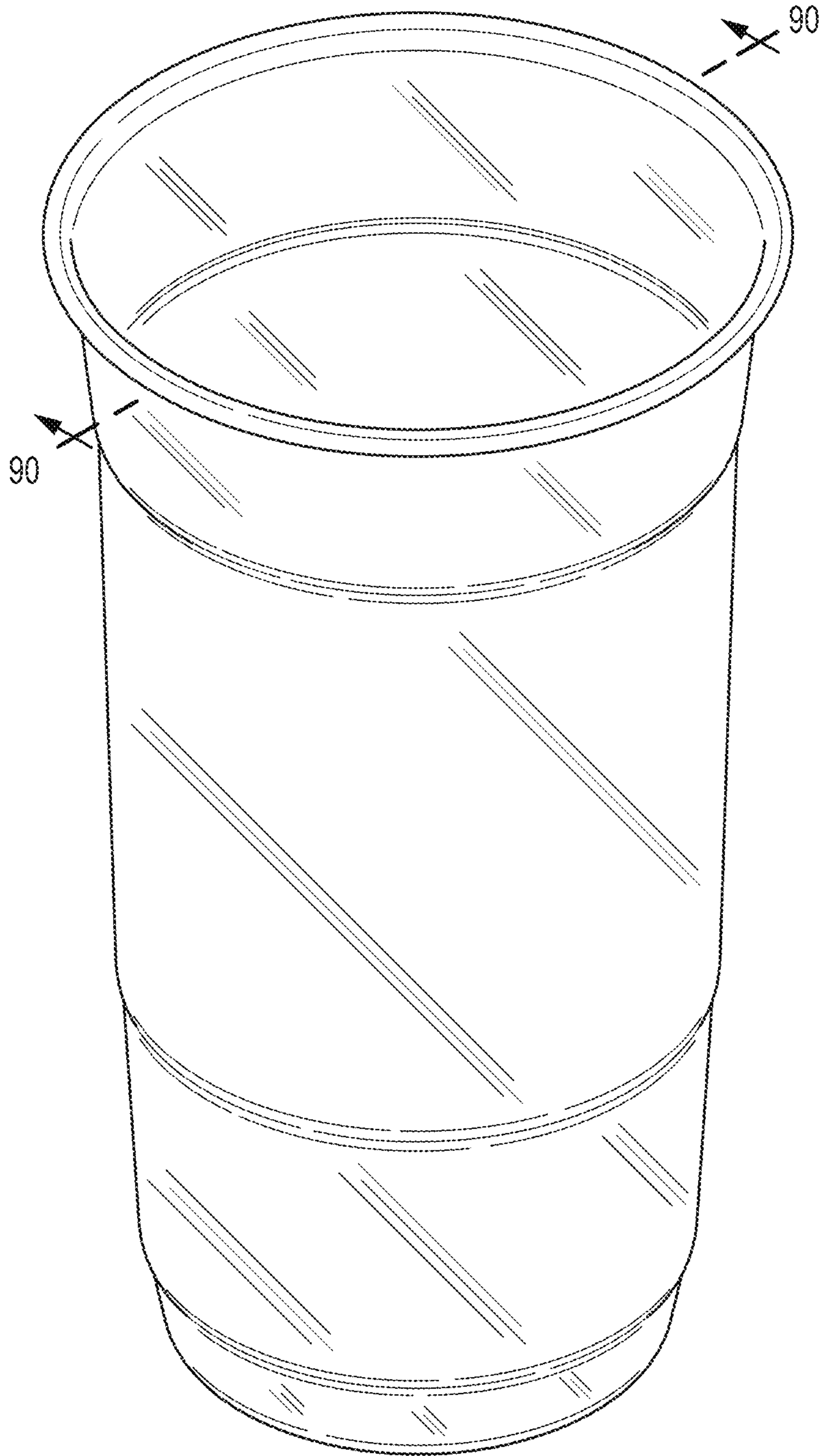


FIG.86

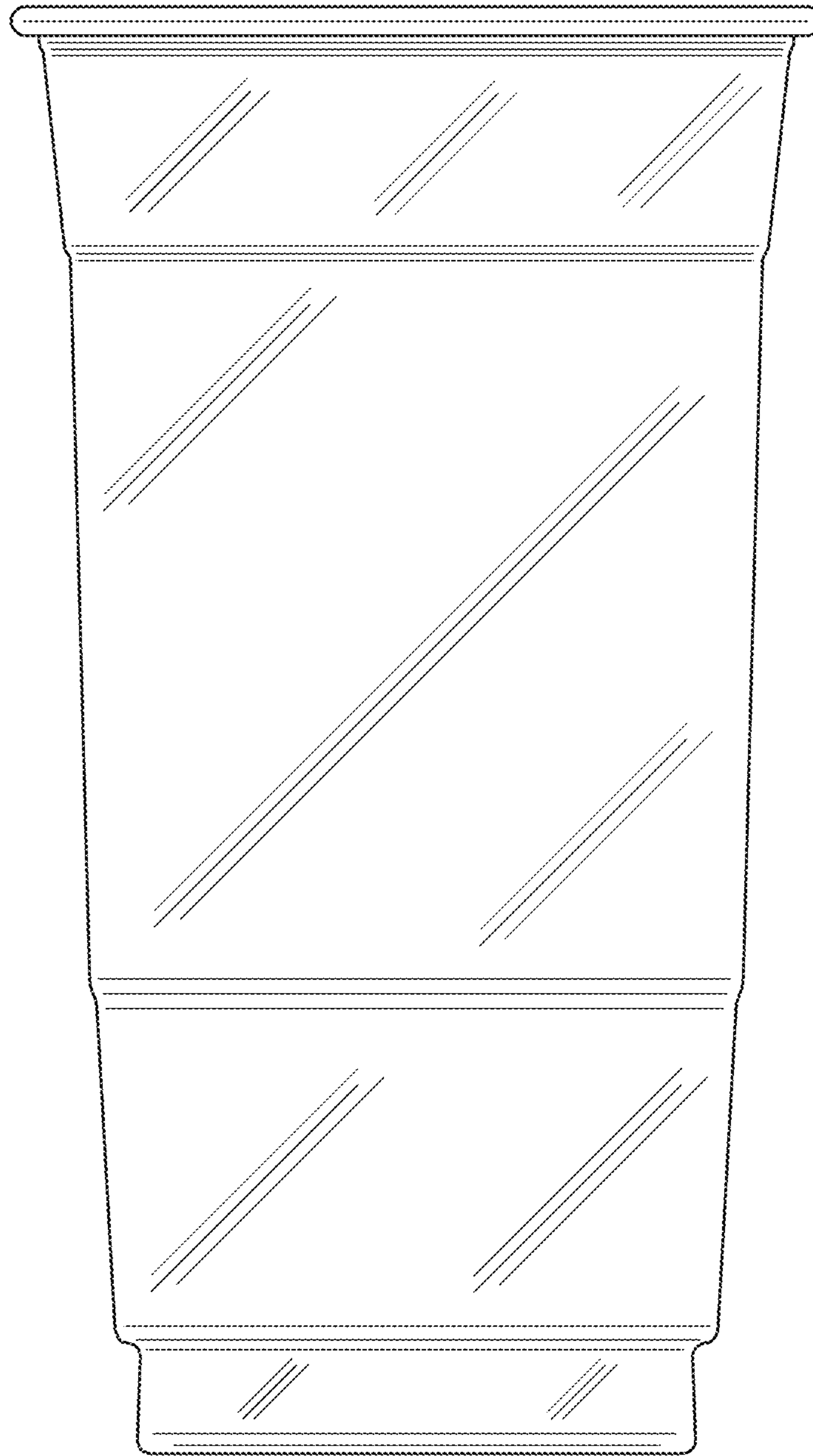


FIG.87

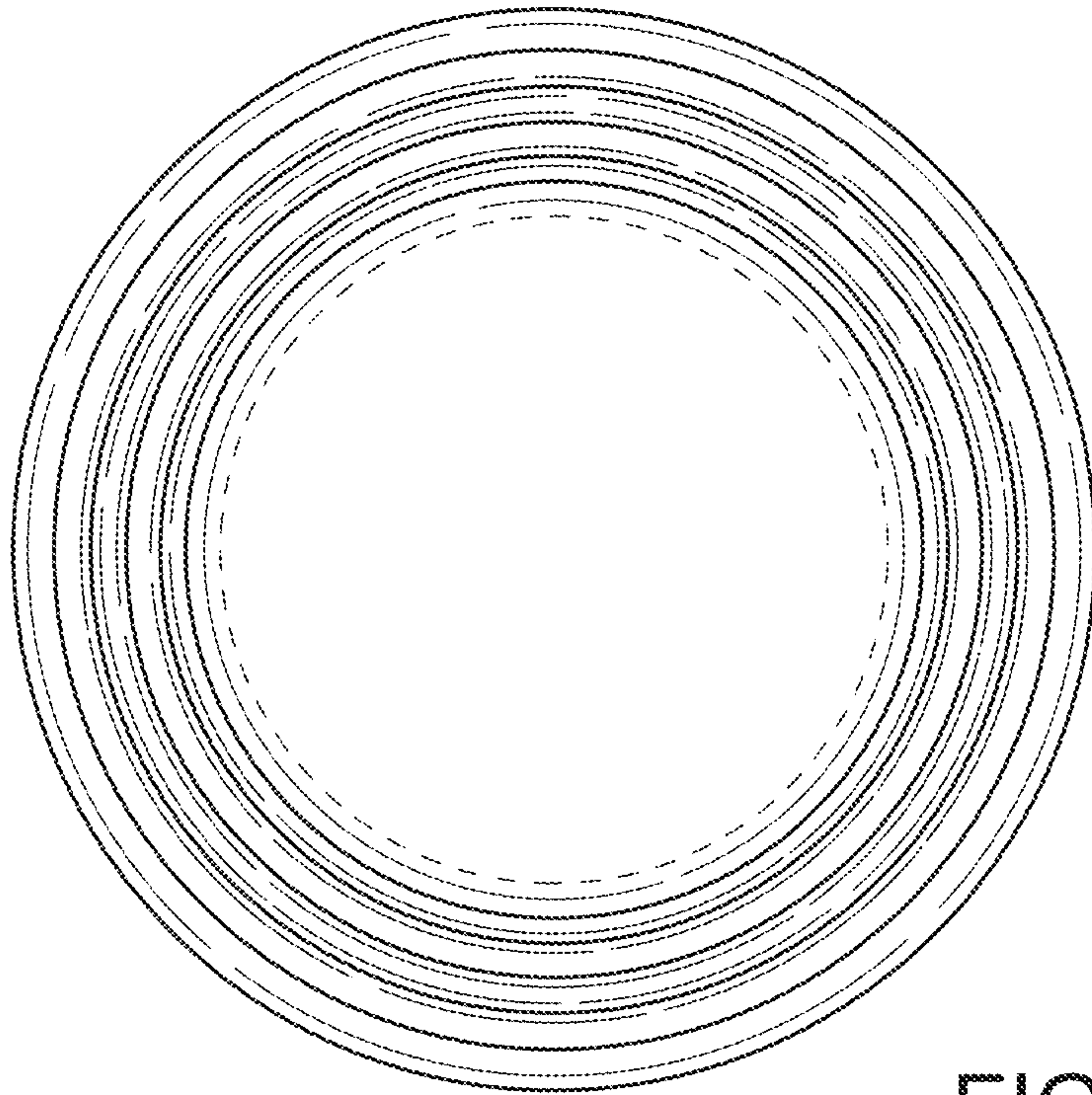


FIG. 88

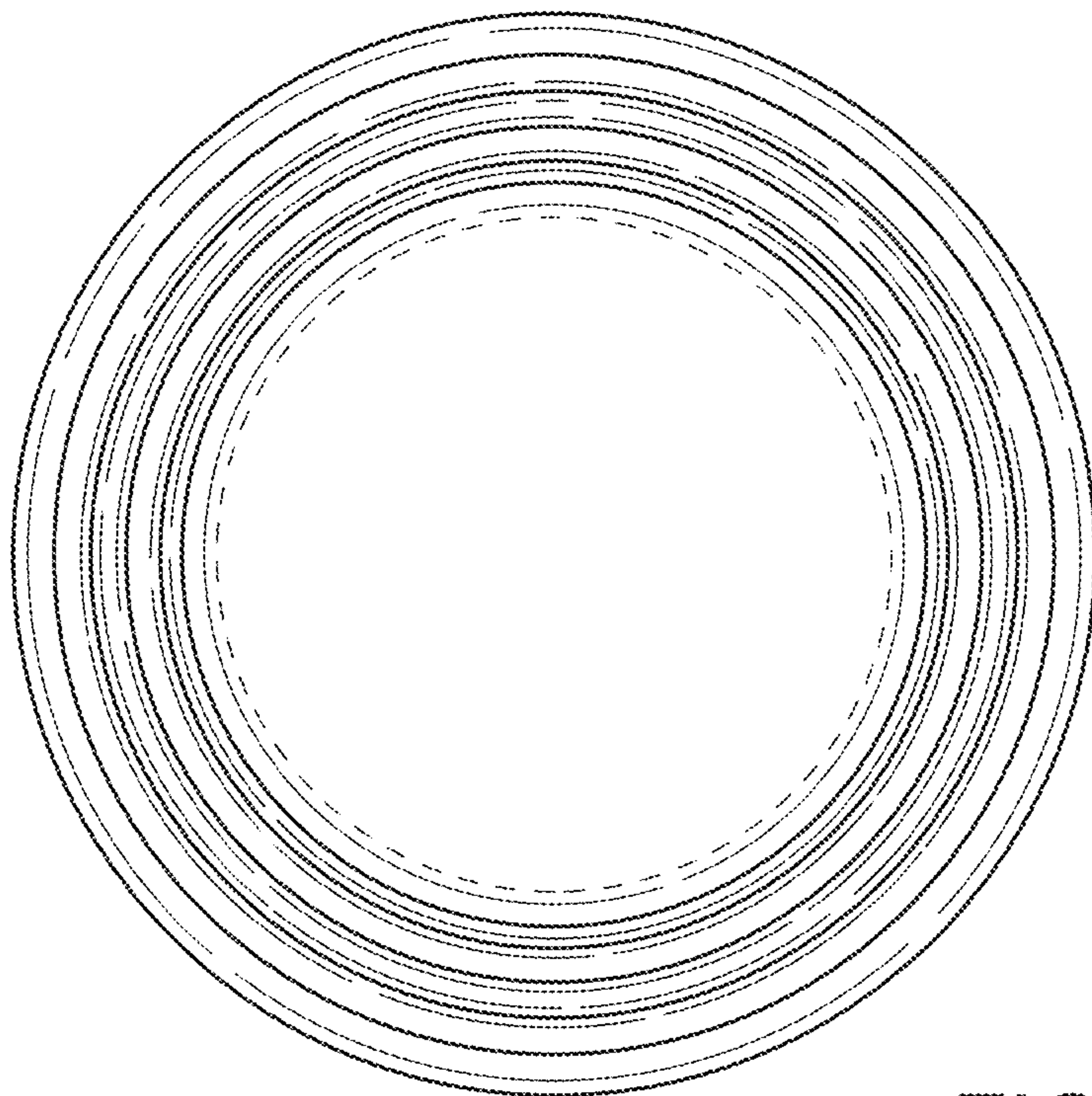


FIG. 89

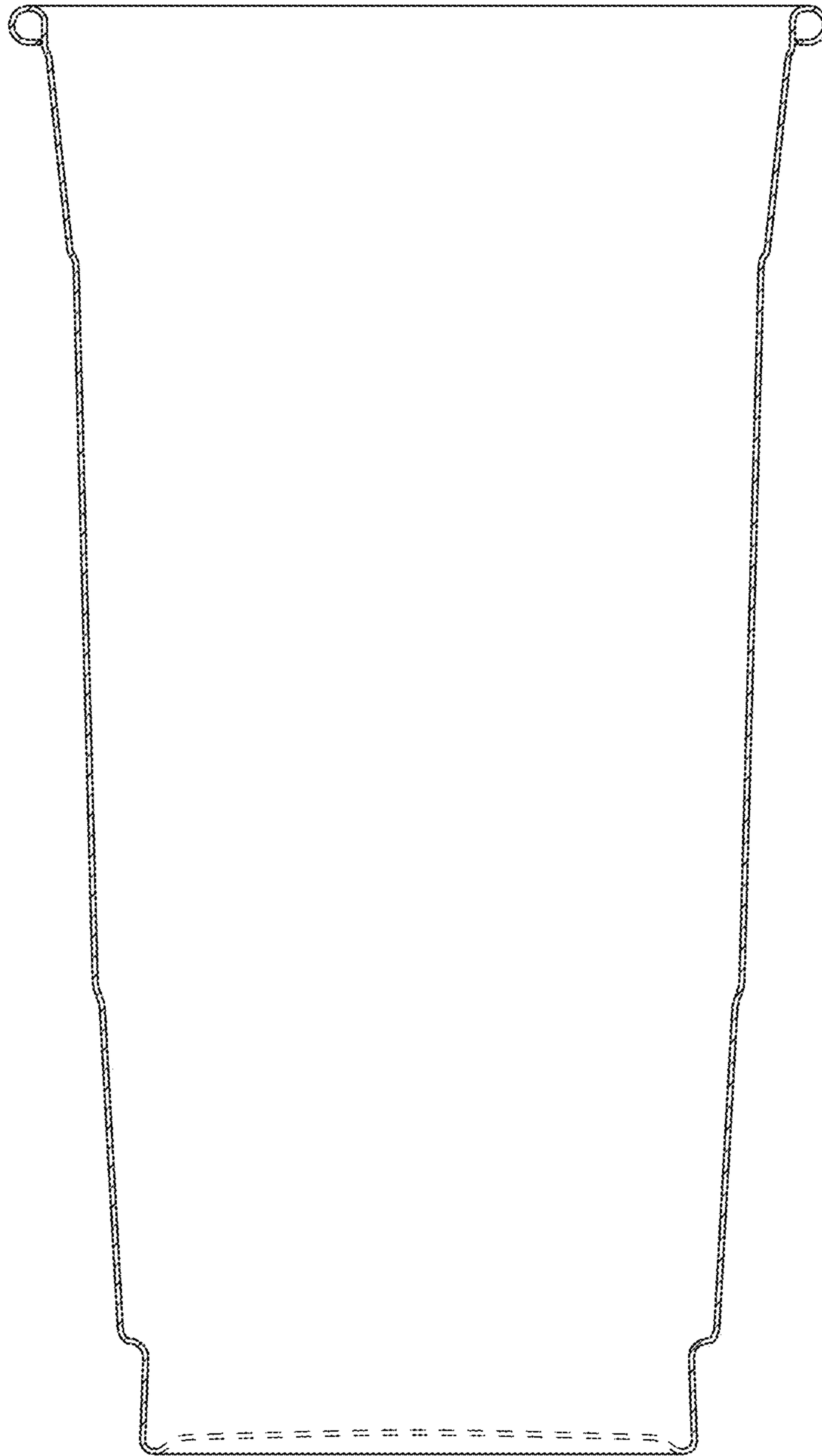


FIG.90