



US00D968892S

(12) **United States Design Patent** (10) **Patent No.:** **US D968,892 S**
Li (45) **Date of Patent:** **** Nov. 8, 2022**

(54) **COCKTAIL SMOKED PLATE**
(71) Applicant: **Changhao Li**, Jiujiang (CN)
(72) Inventor: **Changhao Li**, Jiujiang (CN)
(**) Term: **15 Years**
(21) Appl. No.: **29/823,097**
(22) Filed: **Jan. 14, 2022**
(51) **LOC (13) Cl.** **07-02**
(52) **U.S. Cl.**
USPC **D7/409**
(58) **Field of Classification Search**
USPC D7/323, 328-334, 339-349, 350.1, 354,
D7/360, 361, 368, 390, 391, 392.1,
D7/402-406, 409, 540, 542; D26/9;
D28/91
CPC ... A21B 2/00; A47J 37/00; A47J 37/06; A47J
37/0611; A47J 37/0704; A47J 37/08;
A47J 37/0807; A47J 37/0814; A47J
37/0835; A47J 37/0842; A47J 37/085;
A47J 37/0864; A47J 37/0878; A47J
37/0885; A47J 37/0892; A47J 37/10;
A47J 37/101; F24B 1/205; F24B 1/1808;
F24B 5/087; F24C 7/00; F24C 7/002;
F24C 7/046; F24C 7/067; F24C 15/02;
F24C 15/04; F24C 15/10; F24C 15/102;
F16B 37/043; E03C 1/20; E03F 5/0408
See application file for complete search history.

5,595,108 A * 1/1997 Sheu A47J 37/101
99/413
D514,372 S * 2/2006 Kaposi D7/391
D701,722 S * 4/2014 Merzouky D7/354
D748,426 S * 2/2016 Carzaniga D7/354
D806,461 S 1/2018 Upston
10,190,305 B2 * 1/2019 Howson E03F 5/0408
D919,347 S 5/2021 Kaidash
D944,594 S * 3/2022 Sumner D7/409
D945,815 S * 3/2022 Oliver D7/368
2008/0022455 A1 * 1/2008 McAlpine E03C 1/20
4/679

(56) **References Cited**
U.S. PATENT DOCUMENTS
D153,999 S * 5/1949 Ulvad D28/91
D230,811 S * 3/1974 Gordon D7/354
D272,504 S * 2/1984 Angelakos D7/540
D299,172 S * 12/1988 Perkins D26/9
D315,474 S * 3/1991 Turner D7/391

OTHER PUBLICATIONS

Sitoo Cocktail Smoker Kit. Date First Available on Amazon.com
Nov. 4, 2021. <https://www.amazon.com/dp/B09KZX34TZ/ref> (Year:
2021).*

* cited by examiner

Primary Examiner — Ricky Pham

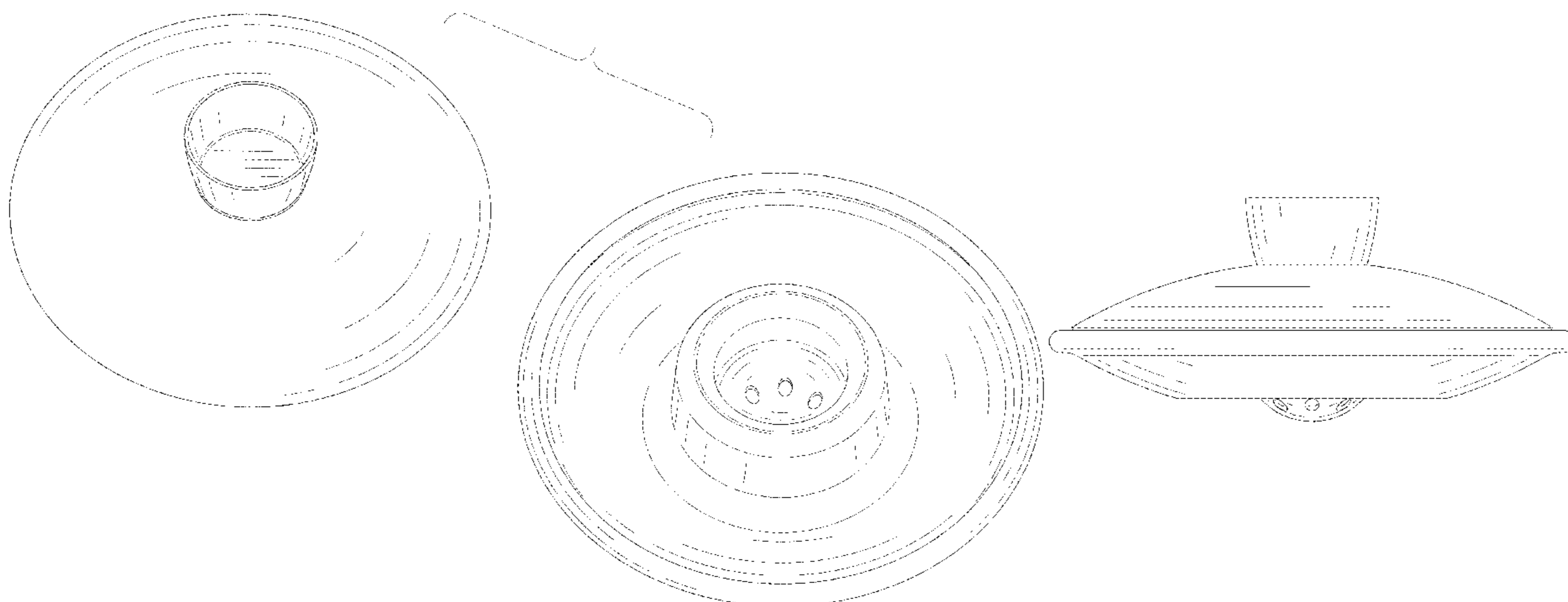
(57) **CLAIM**

The ornamental design for a cocktail smoked plate, as shown
and described.

DESCRIPTION

FIG. 1 is a perspective view of a cocktail smoked plate
showing my new design;
FIG. 2 is another perspective view thereof;
FIG. 3 is a front elevational view thereof;
FIG. 4 is a rear elevational view thereof;
FIG. 5 is a left side elevational view thereof;
FIG. 6 is a right side elevational view thereof;
FIG. 7 is a top plan view thereof;
FIG. 8 is a bottom plan view thereof; and,
FIG. 9 is a front elevational view of the cocktail smoked
plate where the cocktail smoked plate is in a configuration
of use.

1 Claim, 9 Drawing Sheets



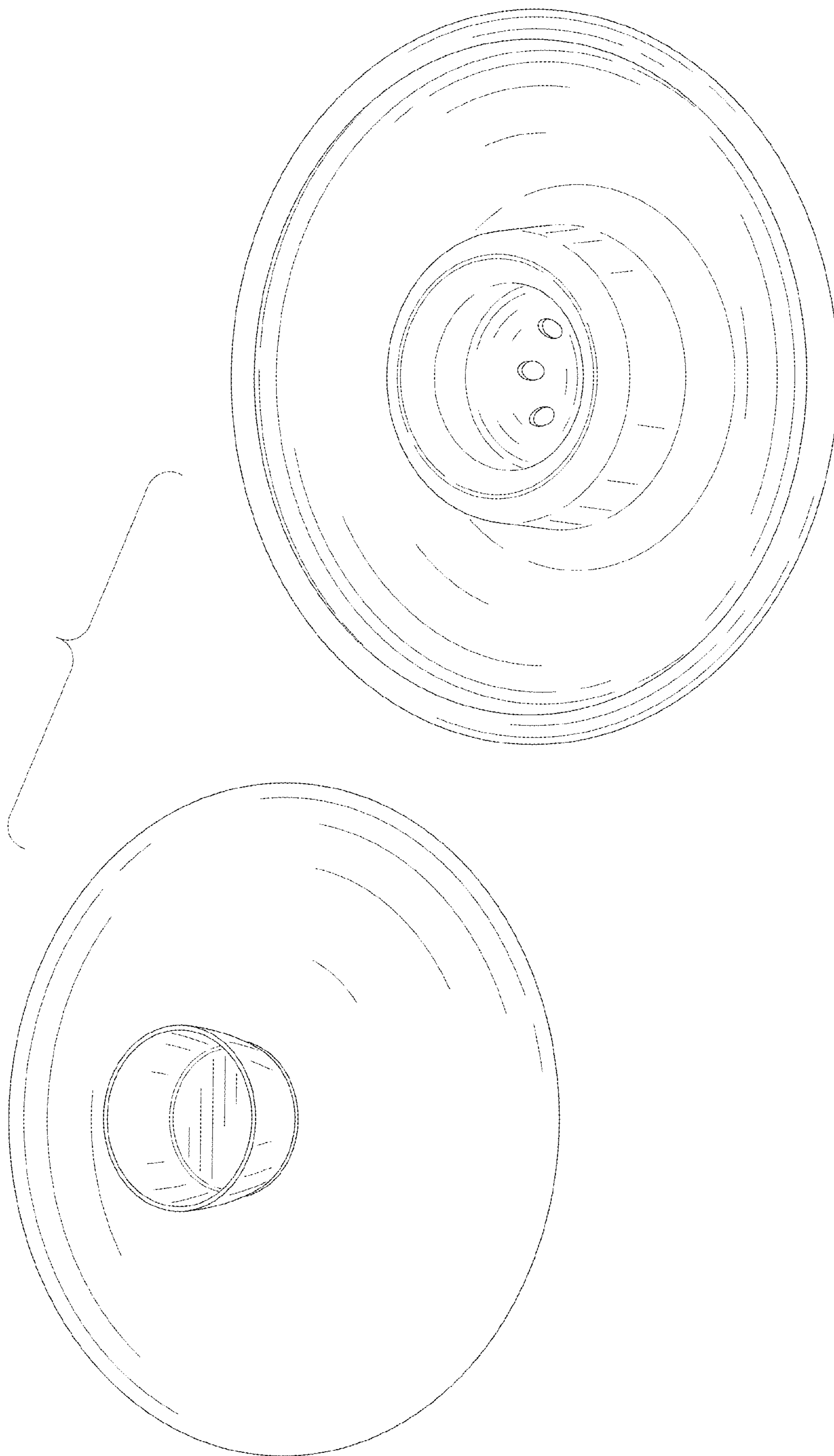


FIG. 1

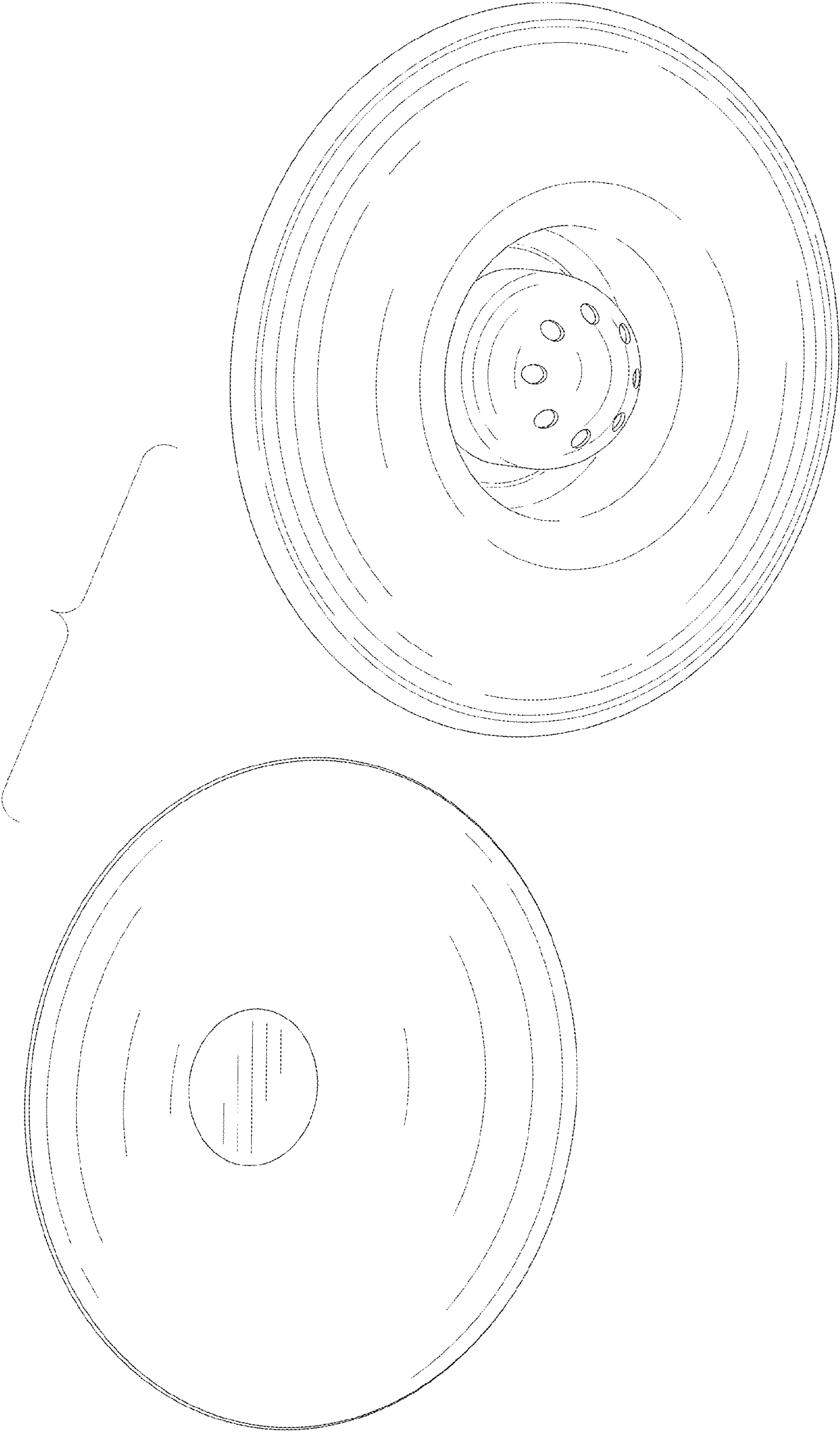


FIG. 2

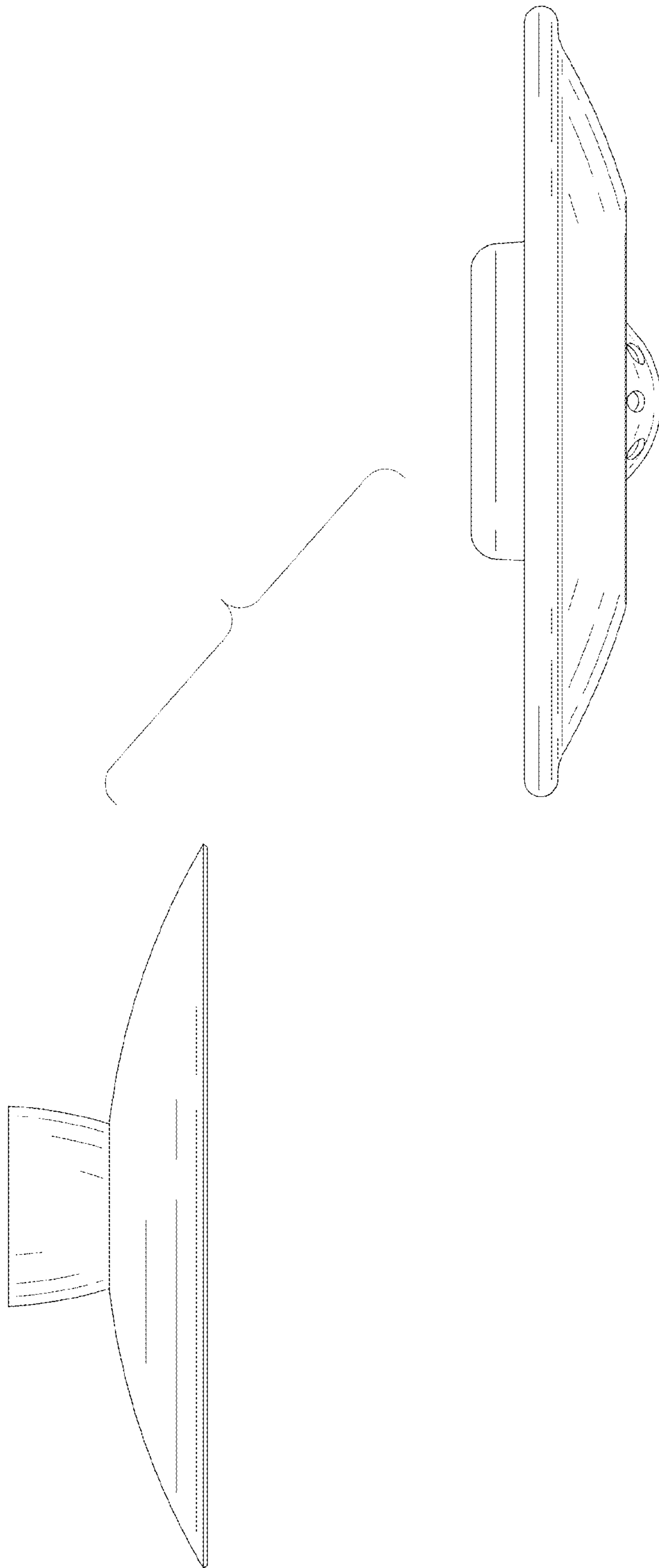


FIG. 3

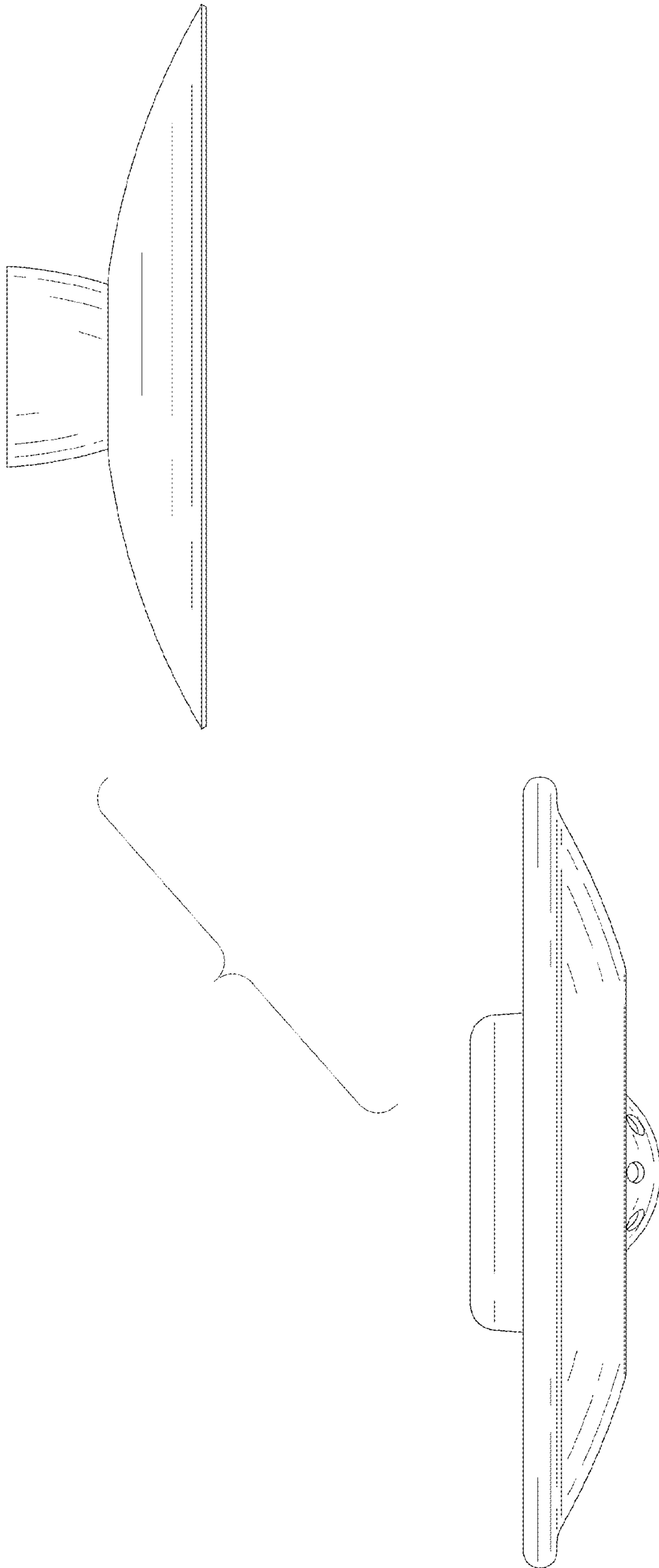


FIG. 4

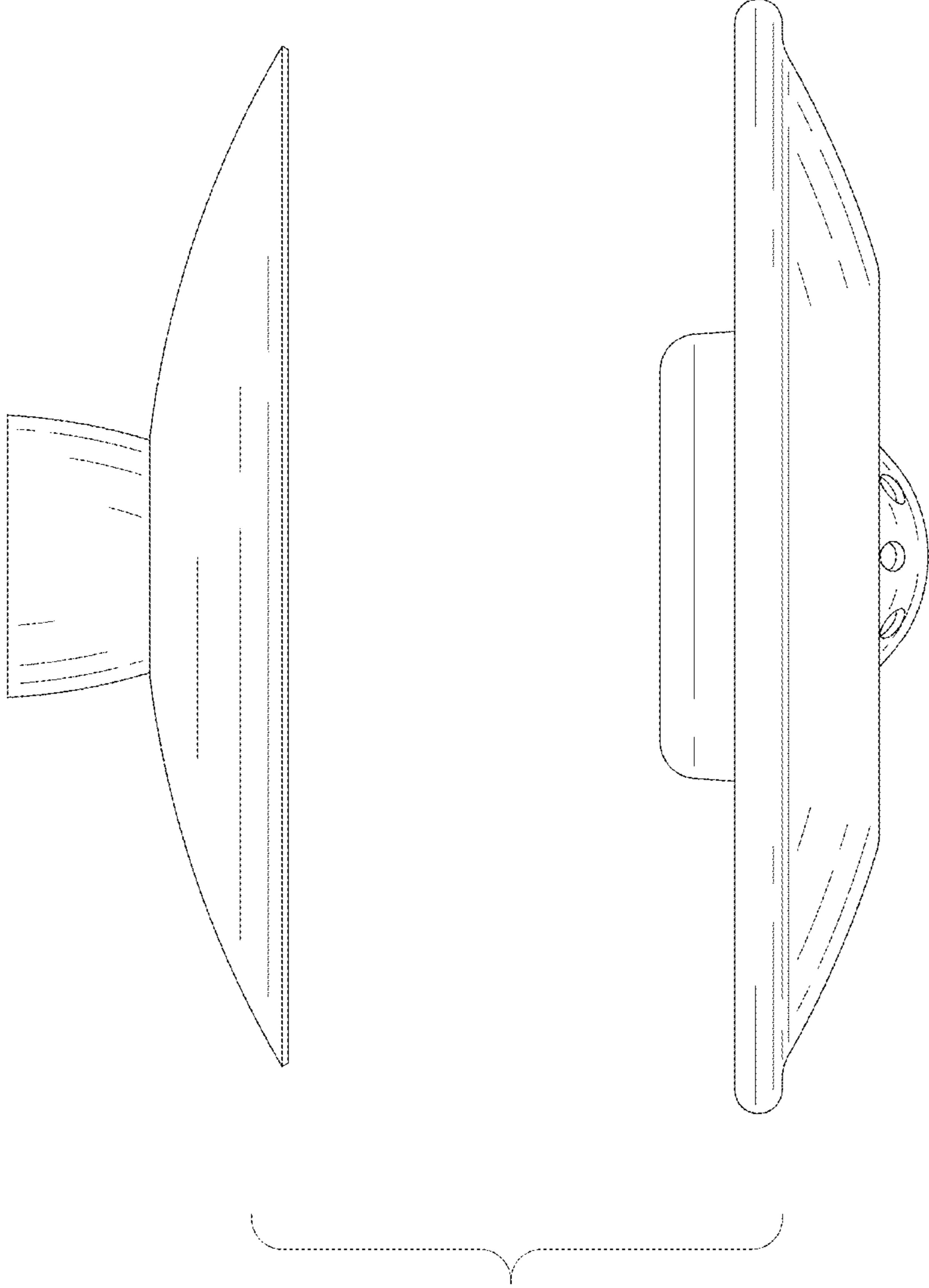


FIG. 5

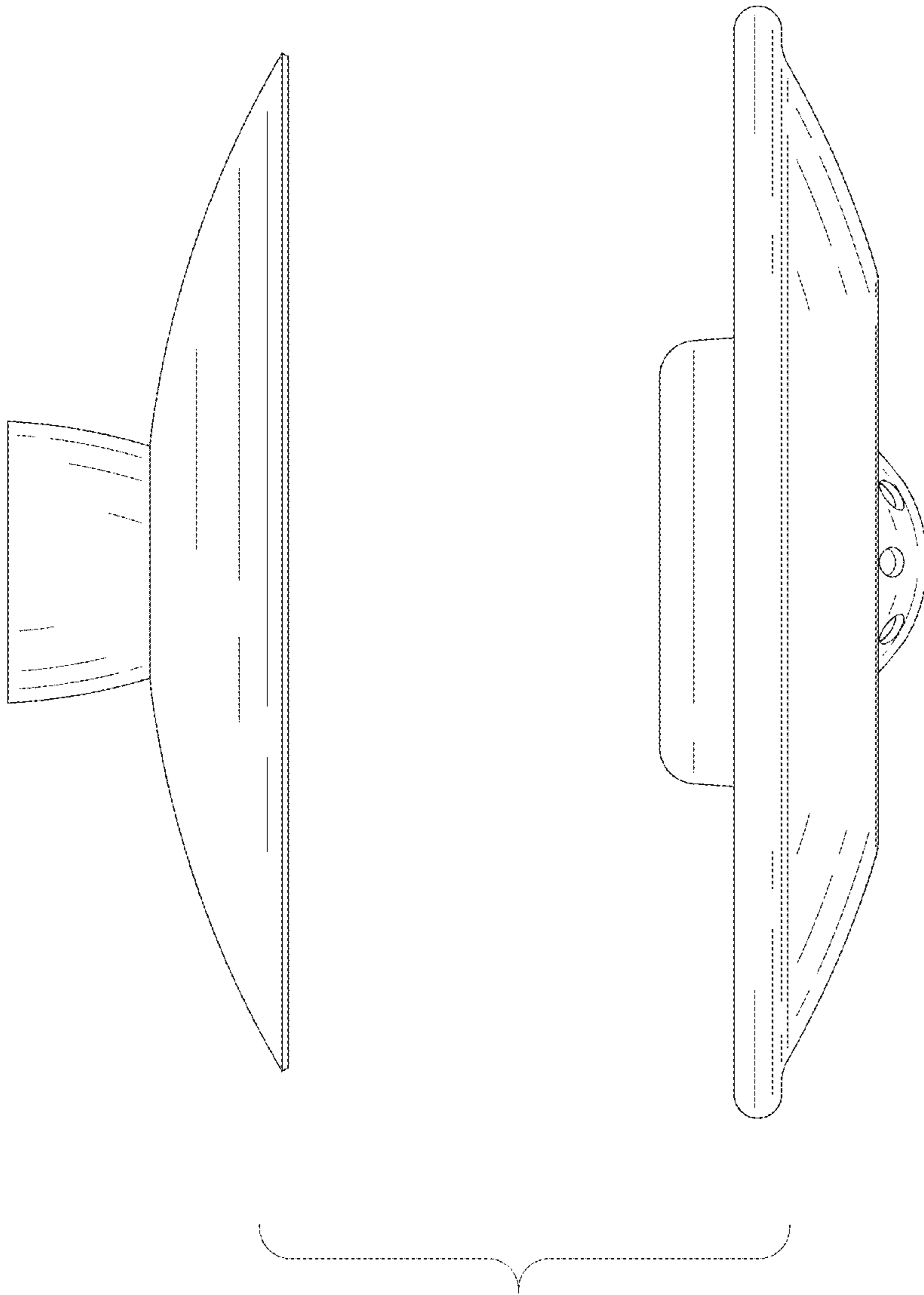


FIG. 6

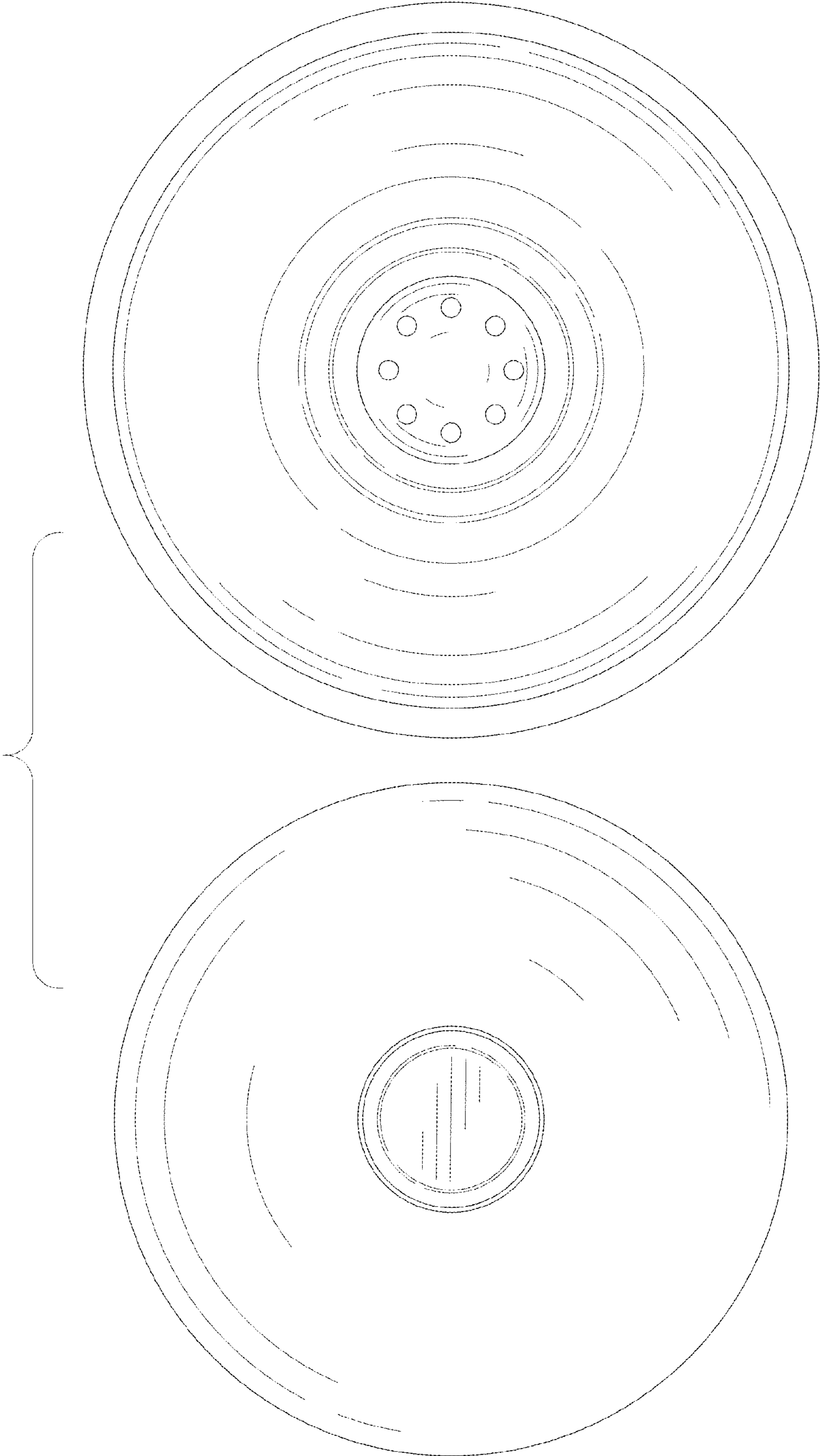


FIG. 7

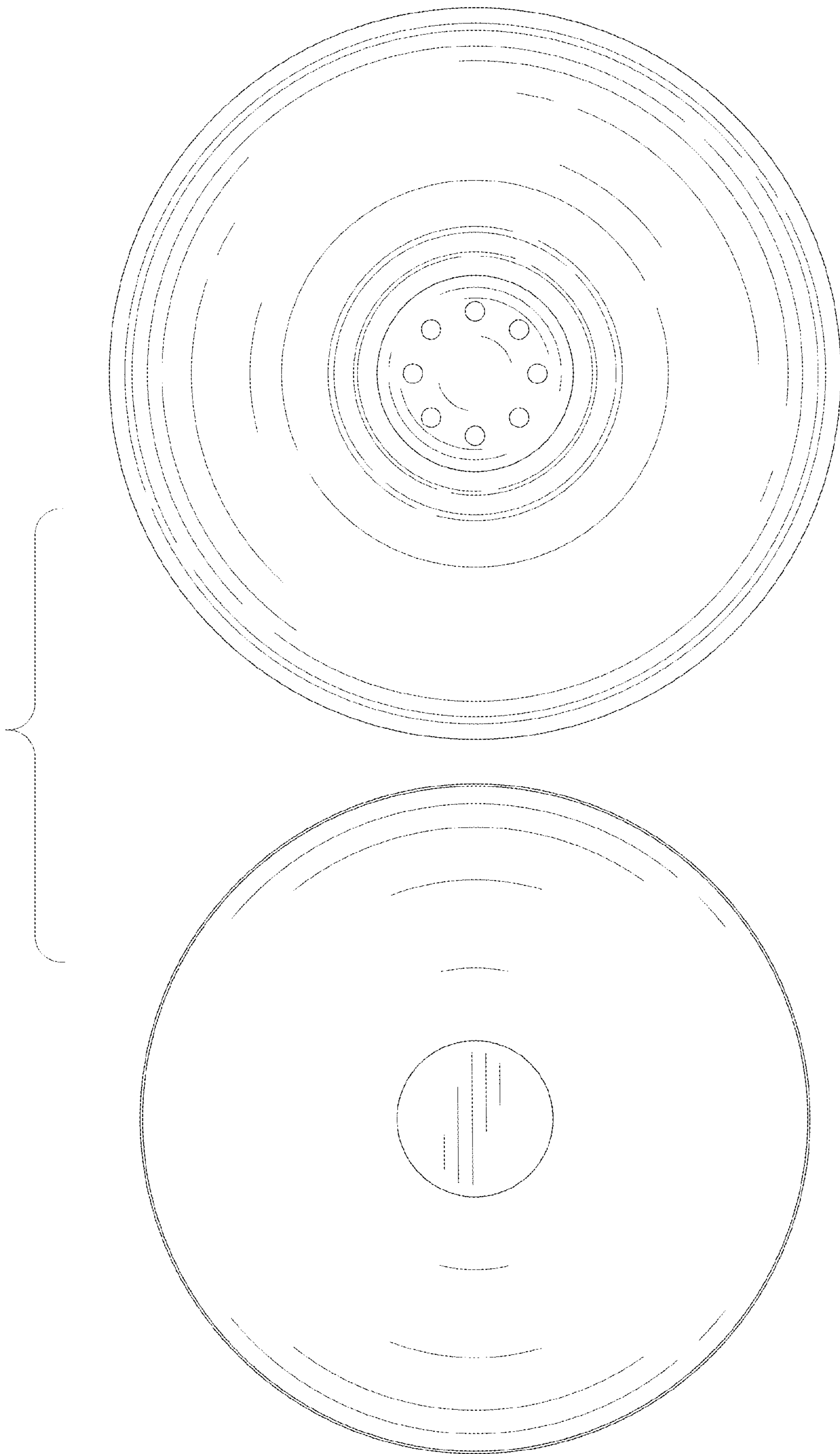


FIG. 8

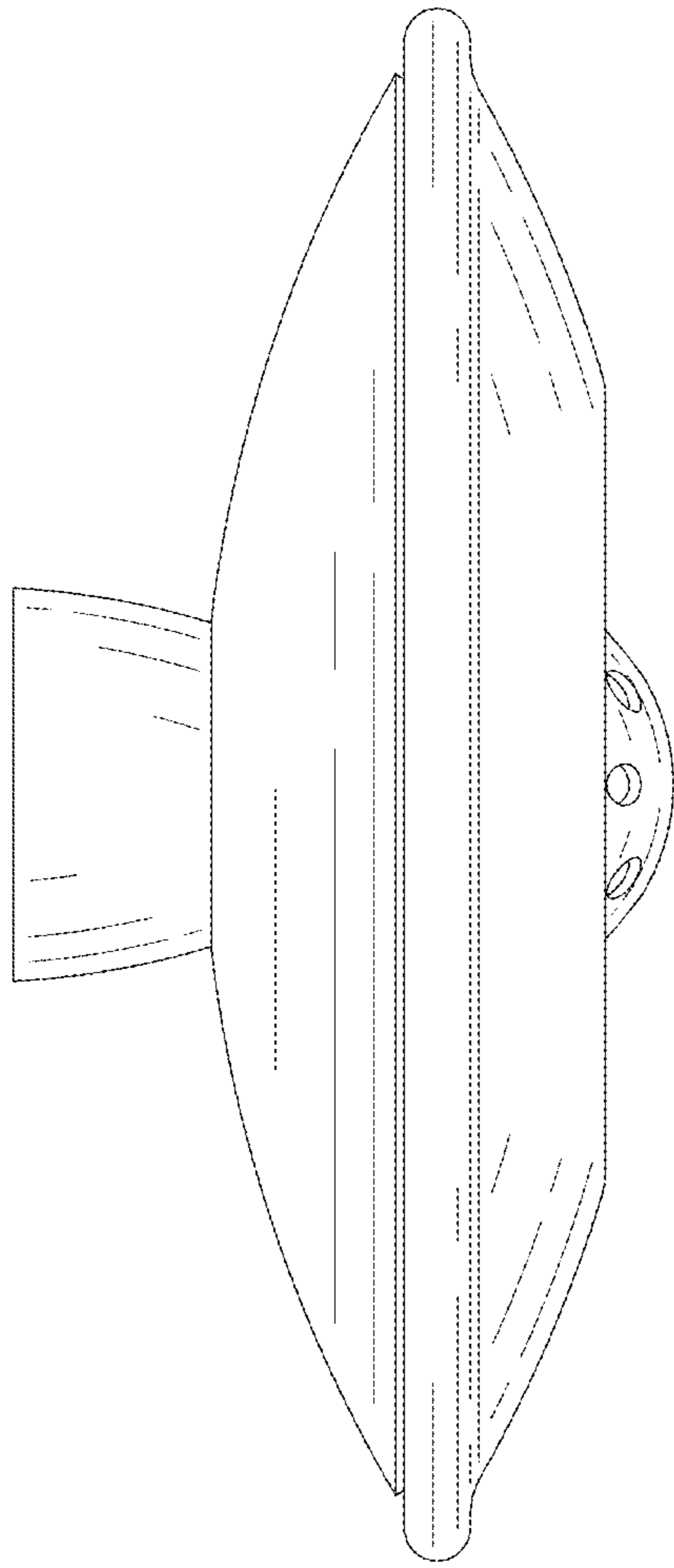


FIG. 9