

US00D968891S

(12) **United States Design Patent** (10) **Patent No.:** **US D968,891 S**
Zemel et al. (45) **Date of Patent:** **** Nov. 8, 2022**

(54) **GRILLING BASKET**

(71) Applicant: **Mr. Bar-B-Q Products LLC**, Melville, NY (US)
(72) Inventors: **Marc Zemel**, Melville, NY (US); **Joanne Rudis**, Melville, NY (US)
(73) Assignee: **MR. BAR-B-Q PRODUCTS LLC**, Hauppauge, NY (US)
(**) Term: **15 Years**

(21) Appl. No.: **29/774,659**
(22) Filed: **Mar. 18, 2021**
(51) **LOC (13) Cl.** **07-02**
(52) **U.S. Cl.**
USPC **D7/409**
(58) **Field of Classification Search**
USPC D7/352, 357, 360, 361, 408, 409, 555, D7/667, 686
CPC .. A47J 27/04; A47J 33/00; A47J 37/06; A47J 37/063; A47J 37/067; A47J 37/0694; A47J 37/0764; A47J 37/0786; A47J 37/1295; A47J 47/16; A47J 43/08; A47J 37/0763; A47J 37/049; F24B 1/202; F24B 1/193
See application file for complete search history.

(56) **References Cited**

U.S. PATENT DOCUMENTS
91,664 A * 6/1869 Prouty A47J 37/0694 99/402
D4,163 S * 6/1870 Johnson et al. D7/686
110,589 A 12/1870 Smith
121,917 A 12/1871 Walsh
285,864 A * 10/1883 Whyte A47J 37/0694 99/402
306,164 A 10/1884 Langley
(Continued)

FOREIGN PATENT DOCUMENTS
RU 2701219 C1 9/2019

OTHER PUBLICATIONS

Jooan, "BBQ Barbecue Fish Grilling Basket Roast Meat vegetable BBQ Tool with wooden Handle" https://www.walmart.com/ip/BBQ-Barbecue-Fish-Grilling-Basket-Roast-Meat-Vegetable-BBQ-Tool-with-Wooden-Handle/965165167?wmlspartner=wlp&selectedSellerId=101020536&&adid=2222222227435719990&w0=w1=g&w2=c&w3=515768621961&w4=pla-1232912722290&w5=9004511&w6=&w7=&w8=&w9=pla&w10=217895558&w11=online&w12=965165167&veh=sem&gclid=EAlalQobChMlpZCMzuWt8QIVC43ICh1hkwCAEAQYASABEgKaM_D_B

(Continued)

Primary Examiner — Joseph Kukella
Assistant Examiner — Darryl J Dardenne
(74) *Attorney, Agent, or Firm* — Carter, DeLuca & Farrell LLP

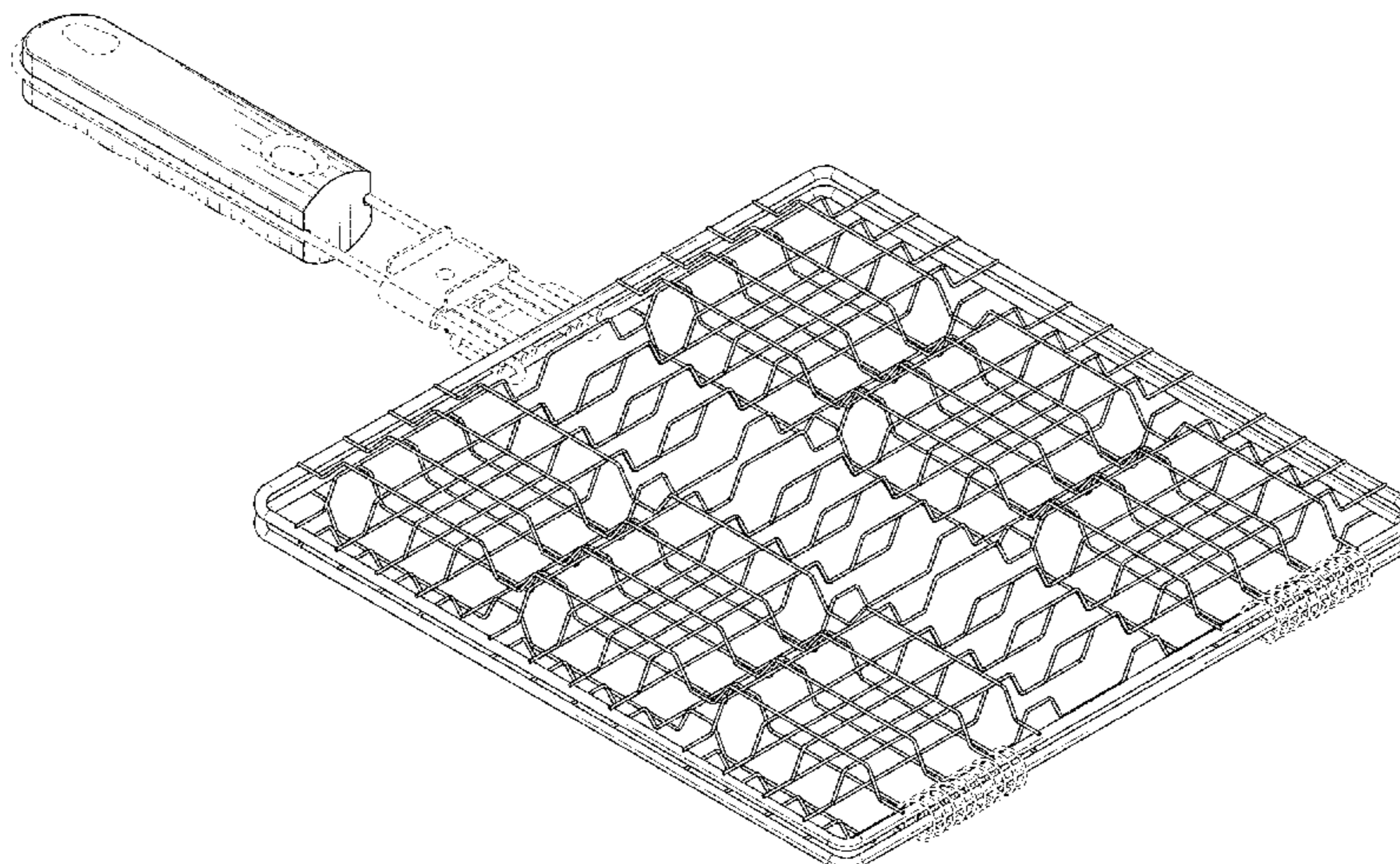
(57) **CLAIM**

The ornamental design for a grilling basket, as shown and described.

DESCRIPTION

FIG. 1 is a top perspective view of a grilling basket with a handle in an exposed configuration in accordance with the present design;
FIG. 2 is an alternate top perspective view thereof;
FIG. 3 is a front elevational view thereof;
FIG. 4 is a rear elevational view thereof;
FIG. 5 is a right side elevational view thereof;
FIG. 6 is a left side elevational view thereof;
FIG. 7 is a top plan view thereof;
FIG. 8 is a bottom plan view thereof;
FIG. 9 is a top perspective view of the grilling basket in an open configuration in accordance with the present design;
FIG. 10 is an alternate top perspective view thereof;
FIG. 11 is a top perspective view of the grilling basket with the handle in a stored configuration in accordance with the present design; and,
FIG. 12 is a bottom perspective view thereof.

(Continued)



The broken lines shown in the drawings illustrate portions of the grilling basket that form no part of the claimed design.

1 Claim, 10 Drawing Sheets

(56)

References Cited

U.S. PATENT DOCUMENTS

313,400 A * 3/1885 Ayres A47J 37/0694
99/402

RE11,080 E 5/1890 Perkins

861,168 A * 7/1907 Eccleston A47J 37/0694
99/397

890,219 A 6/1908 Cook

1,091,877 A 3/1914 Collis

1,155,838 A * 10/1915 Rose A47J 43/08
403/85

1,312,616 A * 8/1919 Cowan A47J 37/0694
99/402

1,507,733 A * 9/1924 Harding A47J 37/0694
126/30

2,148,879 A * 2/1939 Rossini A47J 37/0694
99/402

2,280,131 A * 4/1942 Rossini A47J 37/0694
126/30

2,545,005 A 3/1951 Russell

D164,107 S * 7/1951 Doblin A47J 37/0694
99/402

2,573,770 A 11/1951 Meadow

D167,104 S 6/1952 Doblin

2,647,454 A * 8/1953 Shelley A47J 37/0694
99/441

2,732,096 A 1/1956 Siciliano

D180,250 S * 5/1957 Spillman et al. D8/DIG. 4

2,827,847 A * 3/1958 Shafter A47J 37/0694
99/402

2,846,941 A 8/1958 Goodwin

RE24,581 E 12/1958 Escout

3,207,059 A 9/1965 Hirons

3,323,443 A * 6/1967 Schulze A47J 37/0763
99/402

3,536,000 A * 10/1970 Whitehill A47J 36/022
99/425

3,867,877 A * 2/1975 Zajc A47J 37/049
99/402

4,003,595 A 1/1977 Fano

4,052,934 A 10/1977 Shinman

D248,722 S 8/1978 Tsuji

D249,621 S 9/1978 Ondrasik, II

4,479,422 A * 10/1984 Wagstaff A47J 37/0694
99/398

4,625,634 A 12/1986 Kruper

4,951,558 A 8/1990 Figliuzzi

4,989,848 A 2/1991 Monroe

5,048,882 A 9/1991 Fielding et al.

5,092,554 A 3/1992 Gibbs

5,307,797 A * 5/1994 Kleefeld A47J 33/00
126/30

5,365,834 A 11/1994 Sidoti

D361,468 S 8/1995 Wilkes

5,826,494 A 10/1998 Wang

6,103,291 A 8/2000 Fernandez Tapia

6,269,737 B1 8/2001 Rigney

6,526,876 B2 3/2003 Kahler et al.

D506,362 S * 6/2005 Dow D7/669

6,941,857 B2 9/2005 McLemore

6,990,893 B2 1/2006 Cheng

7,007,687 B2 * 3/2006 Lewis F24B 1/205
126/30

D520,338 S 5/2006 Robert

D524,633 S 7/2006 Robert

D532,654 S 11/2006 Raichlen et al.

D604,105 S 11/2009 Metcalfe

D609,525 S * 2/2010 Rabanal D7/409

D614,003 S 4/2010 Zemel

D616,722 S 6/2010 Shin

D629,662 S * 12/2010 Thompson D7/686

7,900,786 B2 3/2011 Hepburn

8,067,716 B1 11/2011 Lloyd

D649,862 S 12/2011 Arvinte

D653,073 S 1/2012 Difante

8,210,846 B2 7/2012 Duineveld

8,356,726 B2 1/2013 Romandy

D682,029 S * 5/2013 Vas A47J 37/0694
D7/409

D689,344 S * 9/2013 Cloutier D7/686

8,726,449 B2 5/2014 Gallardo

D733,495 S 7/2015 Tyson

9,320,392 B2 4/2016 Aghamalian

D755,012 S 5/2016 Zemel et al.

D756,704 S 5/2016 Johansson

D760,058 S 6/2016 Laxamana

D769,101 S 10/2016 Zemel et al.

D955,169 S * 6/2022 Cai D7/409

2008/0289511 A1 11/2008 Mendez

2011/0223296 A1 9/2011 Bryce et al.

2014/0216269 A1 8/2014 Cooley

2018/0360266 A1 * 12/2018 Lee A47J 37/049

OTHER PUBLICATIONS

Rome, "S'More Maker" <https://gardenartisans.com/products/garden-supplies/smores-maker/>, accessed on Jun. 23, 2021, pp. 1-7.

Mr. Bar-B-Q, "Hershey's Smores Grilling Basket" Walmart # 553547697, https://www.walmart.com/ip/Hershey-s-Smores-Grilling-Basket/42436578?irgwc=1&sourceid=imp_QyBTmz3JkxyLR%3AkWUx0Mo37wUkEWHbRxxzVZ2M0&veh=aff&wmlspartner=imp_10078&clickid=QyBTmz3JkxyLR%3AkWUx0Mo37wUkEWHbRxxzVZ2M0&sharedid=delish.com&affiliates_ad_id=612734&campaign_id=9383, accessed on Jun. 23, 2021, pp. 1-9.

* cited by examiner

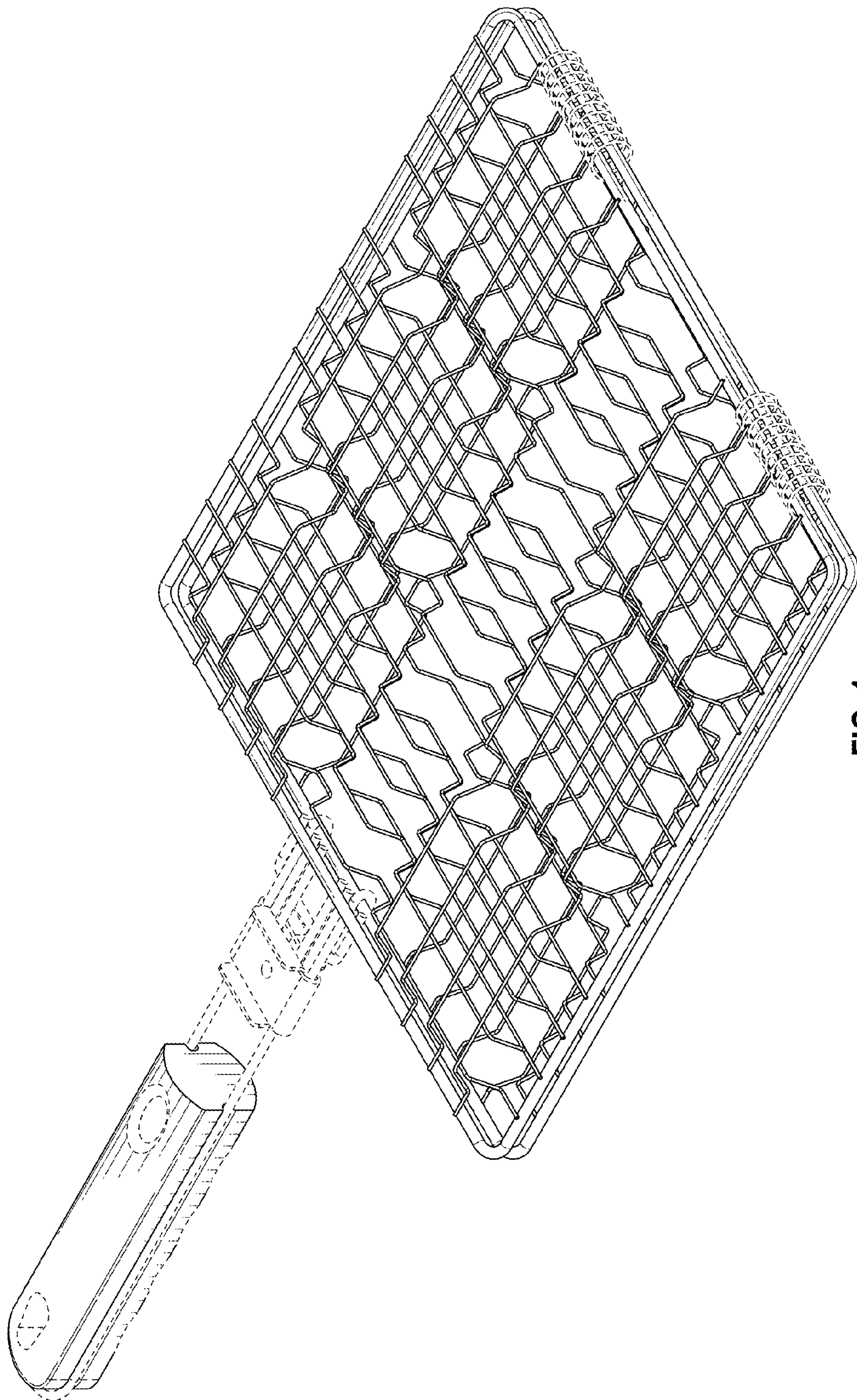


FIG. 1

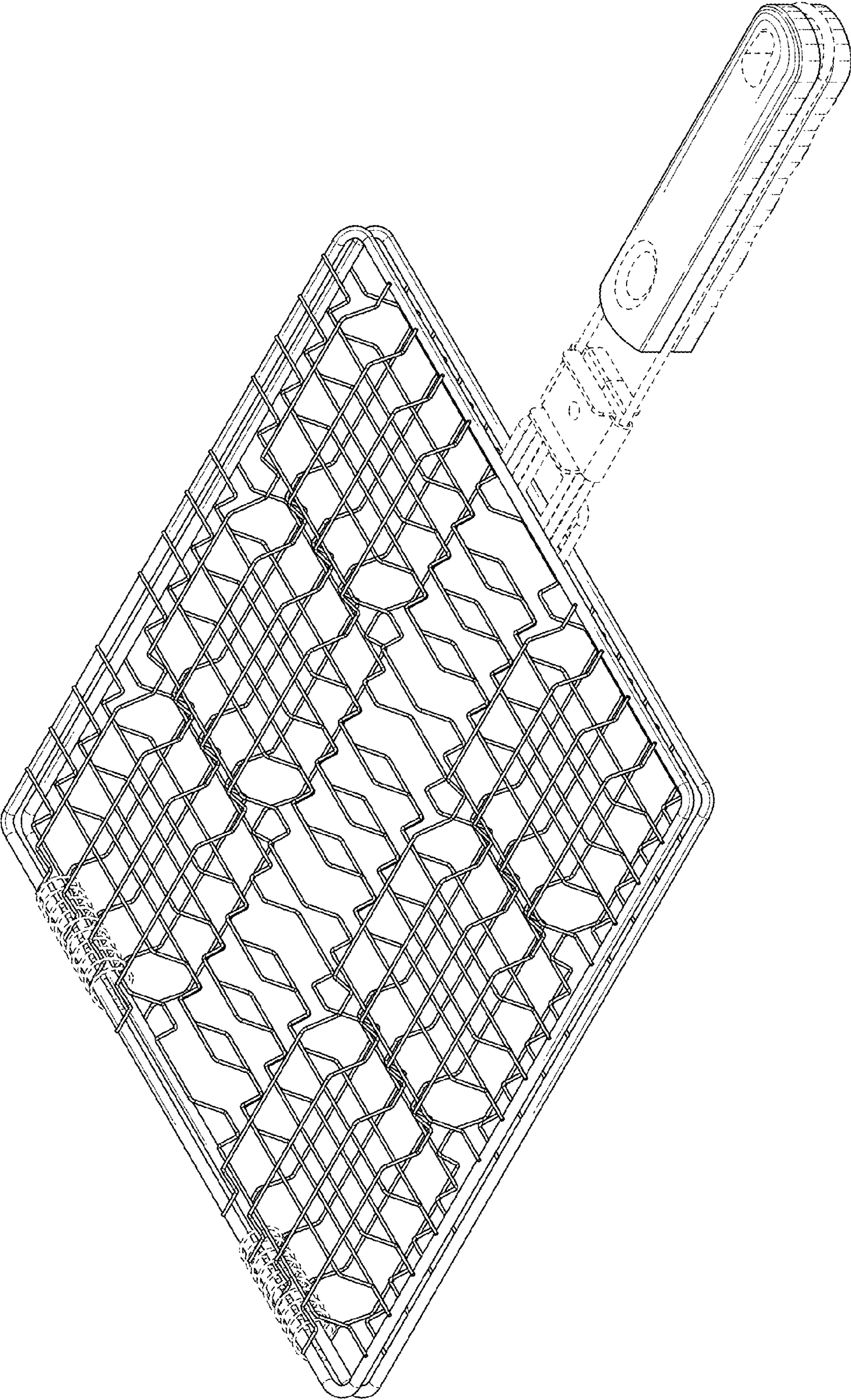


FIG. 2

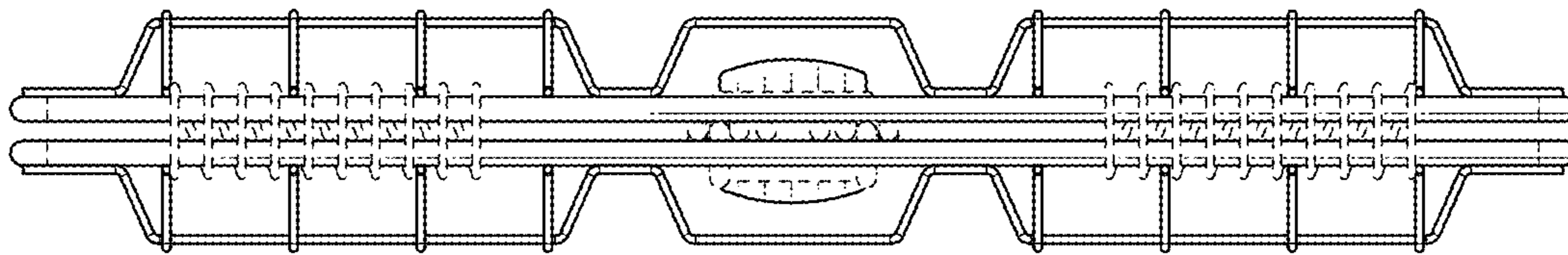


FIG. 3

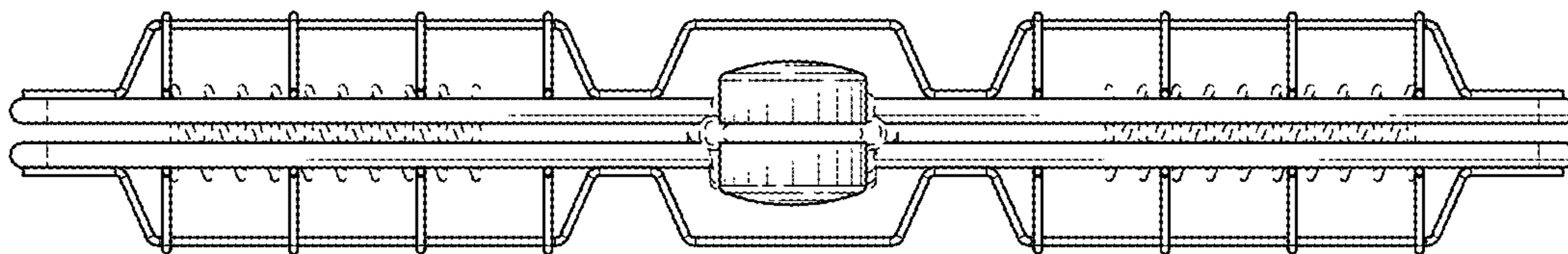


FIG. 4

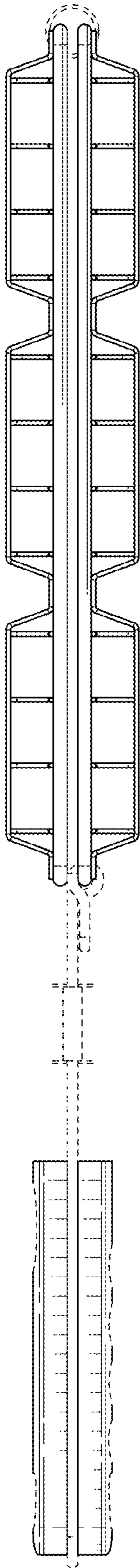


FIG. 5

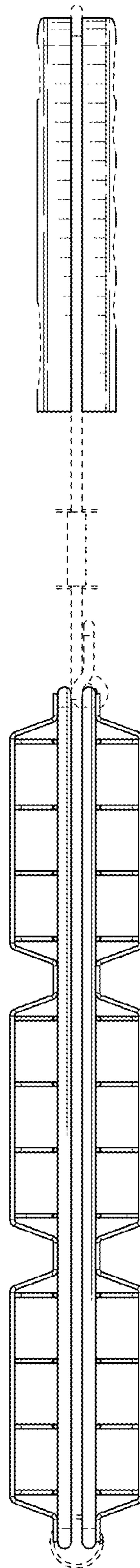


FIG. 6

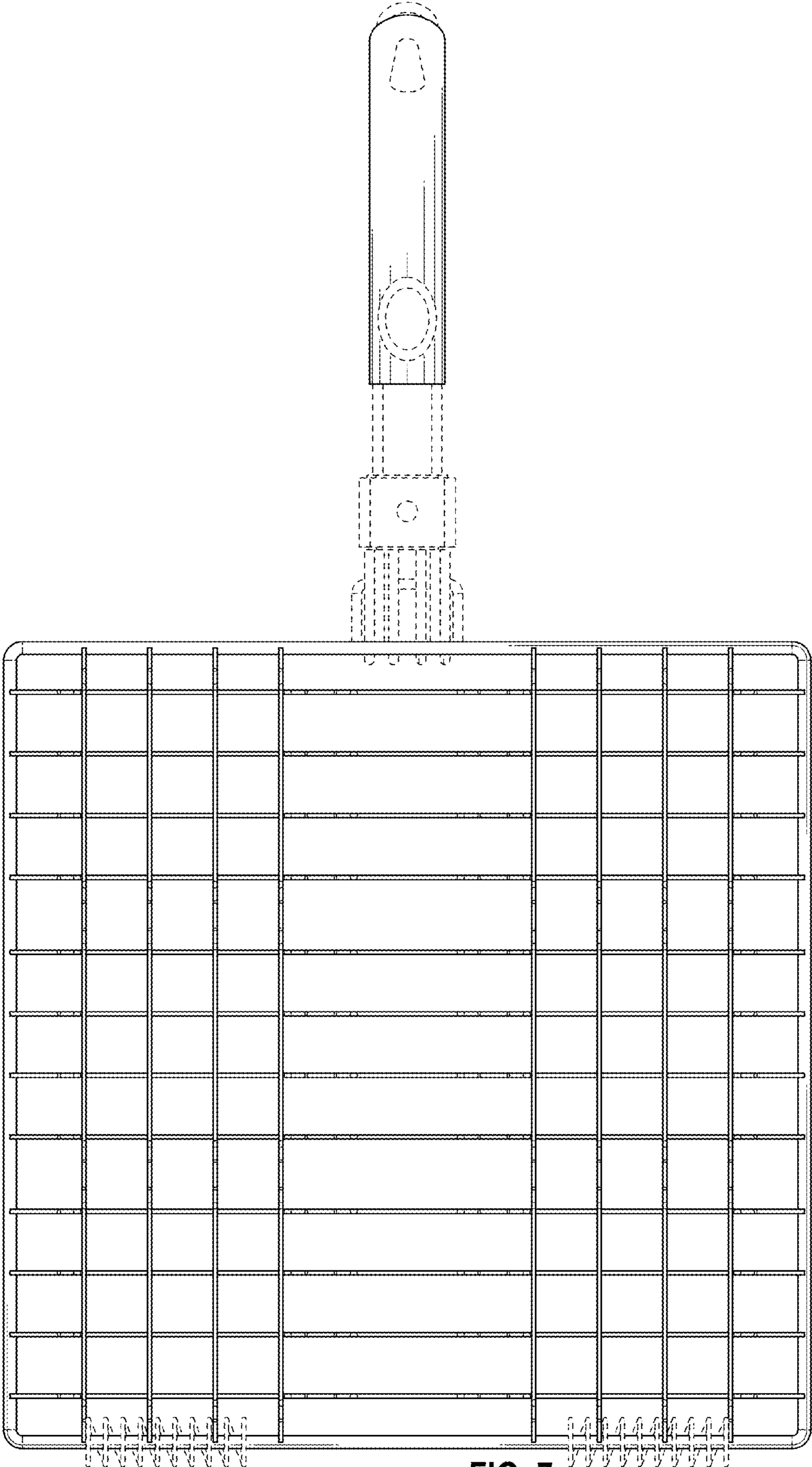


FIG. 7

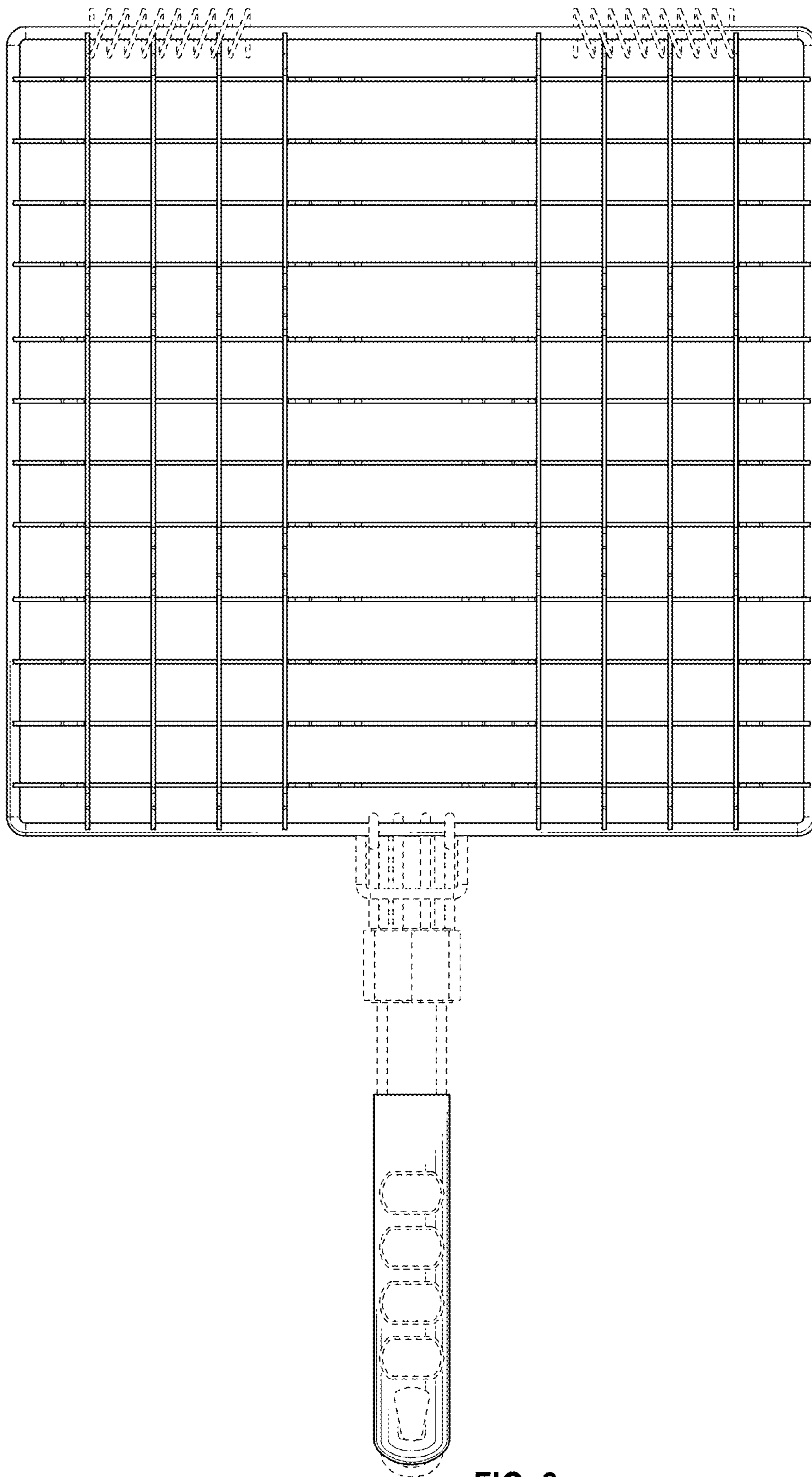


FIG. 8

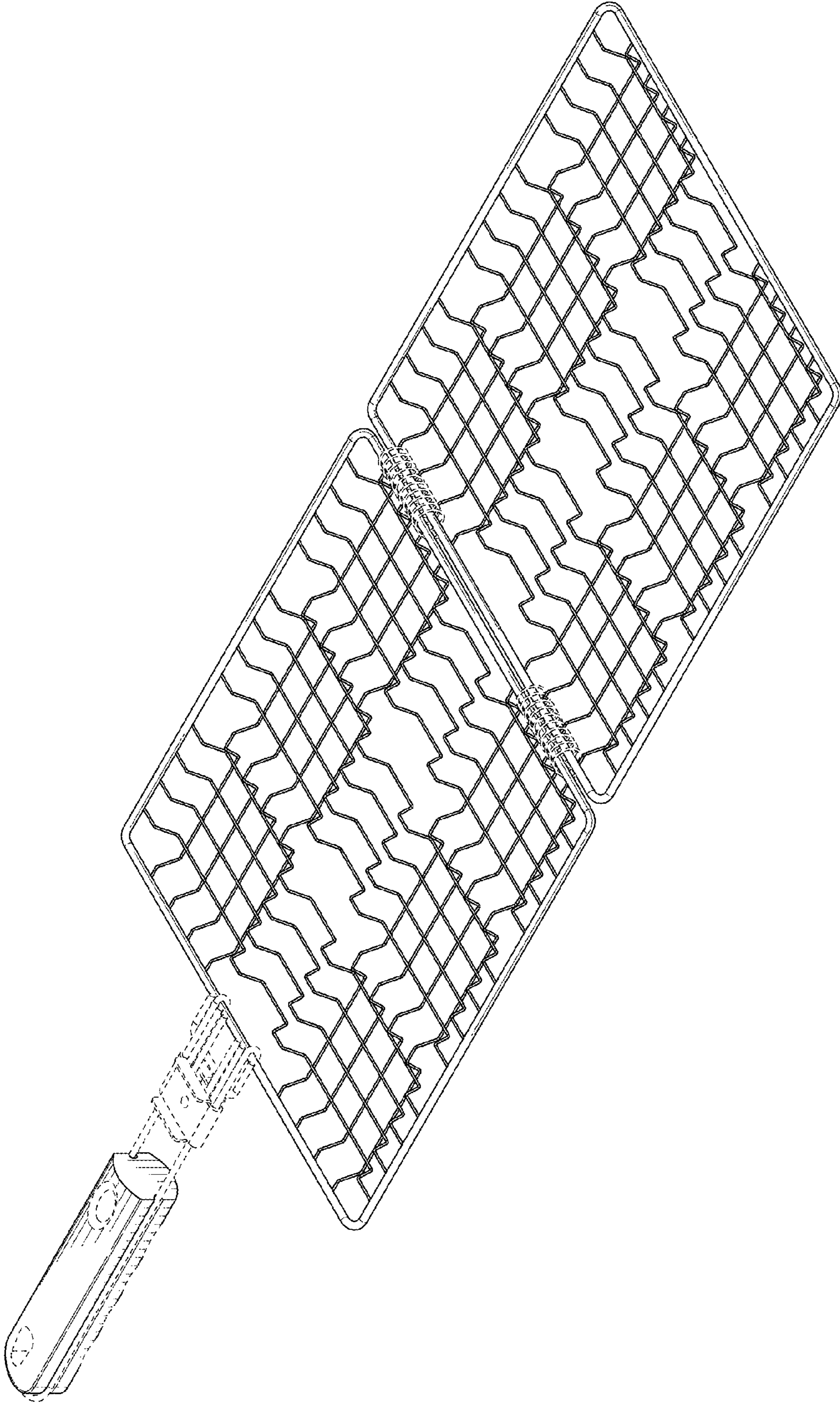


FIG. 9

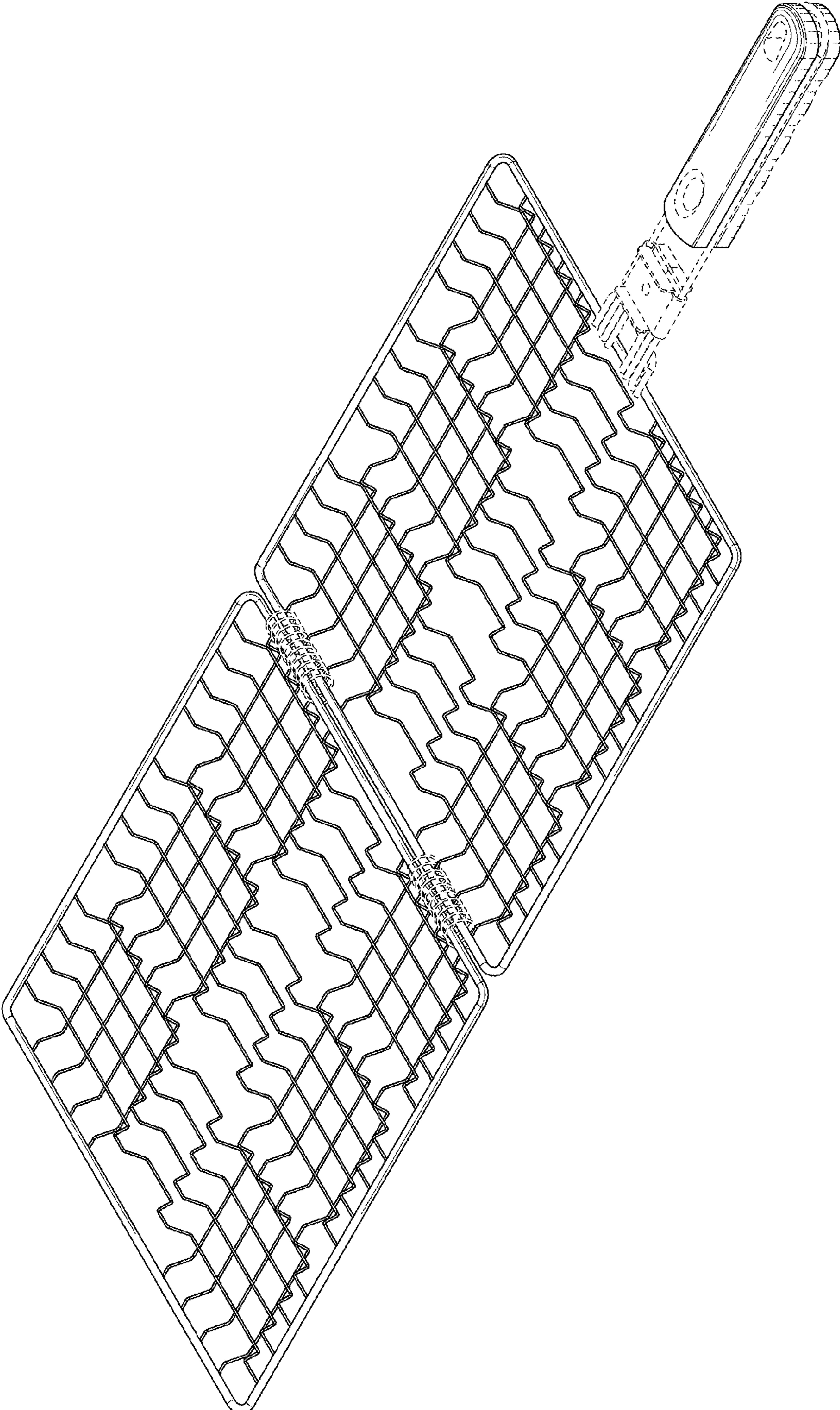


FIG. 10

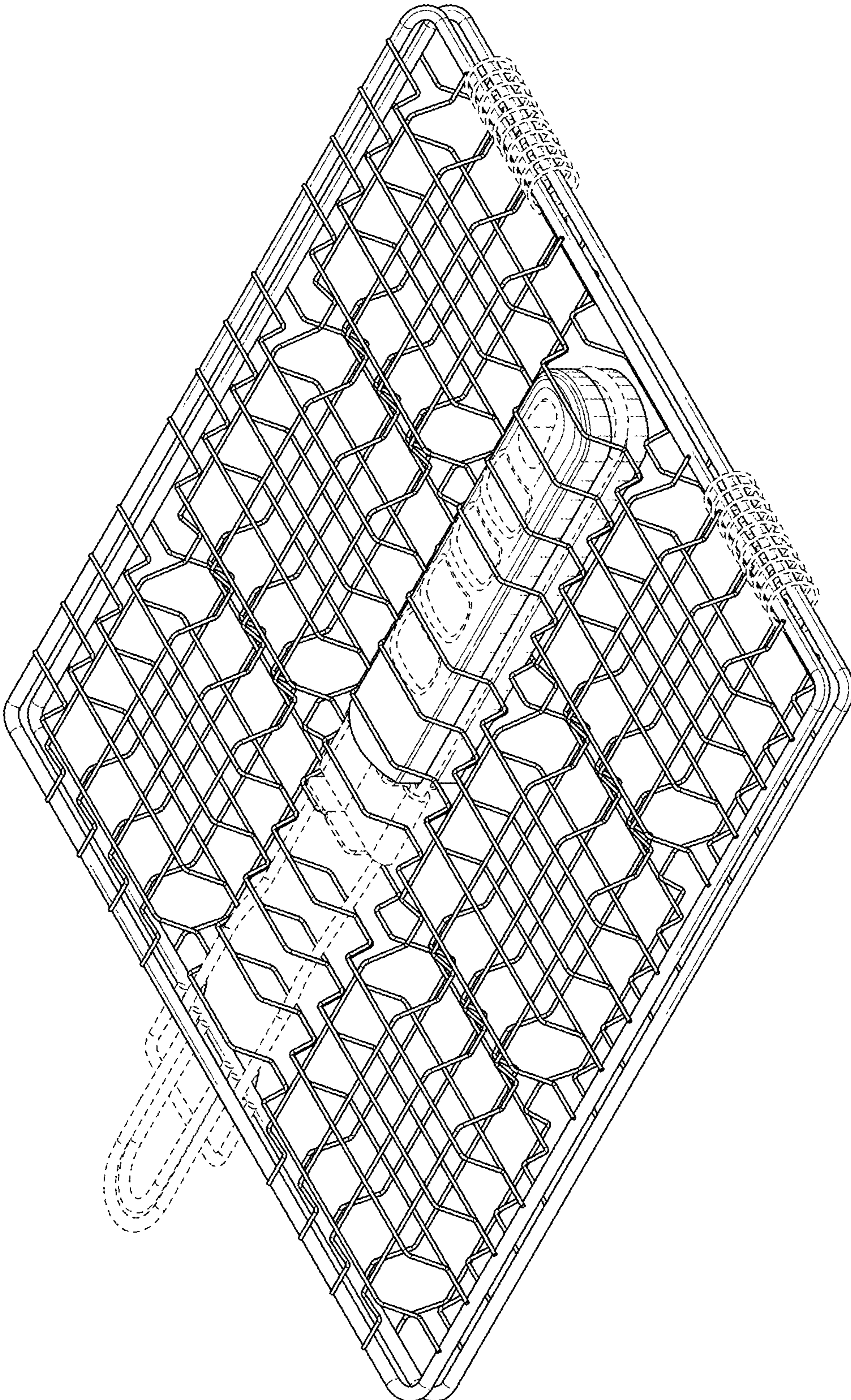


FIG. 11

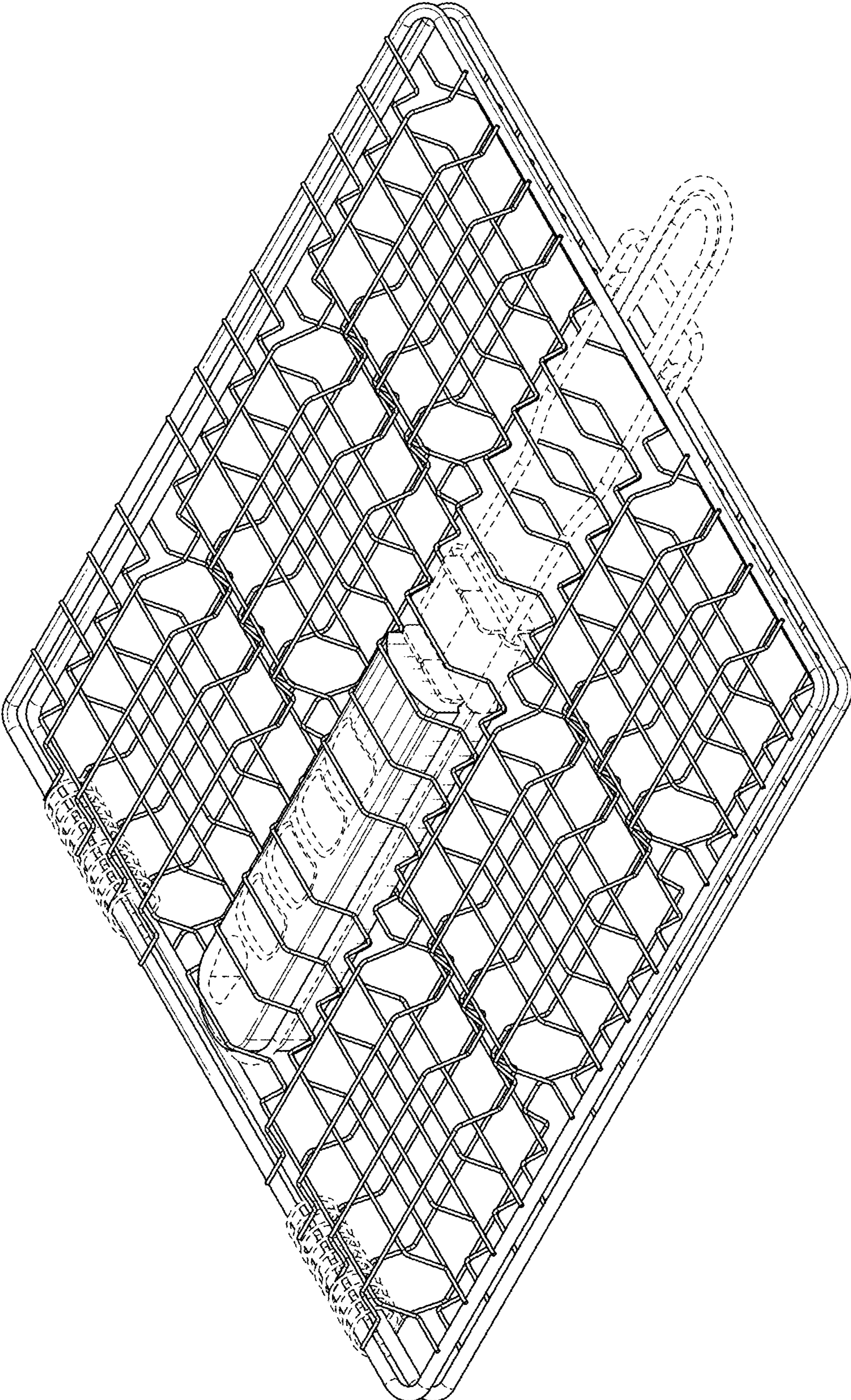


FIG. 12